

**Models:**  
**GFK10 Fan Kit**

GAS-FIRED



The GFK10 Fan Kit has been designed to circulate room air through the appliance to enhance heat output. The fan kit operates on 120VAC, 60 Hz power. This is available through a receptacle in the factory-installed junction box. The junction box is located in the controls compartment of the appliance.

A control module is provided with the fan kit which automatically turns the fan on and off at preset times and is equipped with a variable speed control to provide a quiet forced air flow at the desired speeds.

Check with your local building code agency before you begin installation to ensure compliance with local codes, including the need for permits and follow-up inspections. If you encounter any problems regarding code approvals, or if you need clarification of any of the instructions contained here, contact your Hearth & Home Technologies Inc. dealer. For the dealer nearest you, please visit [www.hearthnhome.com](http://www.hearthnhome.com).

**Check Contents of Shipping Carton**

Compare contents of carton in Table 1 with the actual parts received. If any parts are missing or damaged, contact your dealer before starting installation. Do not install a damaged fan kit.

**Note:** You may not need all parts included with this kit.

**Installation Precautions**

The GFK10 Fan Kit is tested and safe when installed in accordance with this installation manual. It is your responsibility to read all instructions before starting installation and to follow these instructions carefully during installation to assure maximum benefit from, and safe operation of, the fan.

**NOTICE:** This appliance must be electrically wired and grounded in accordance with local codes or, in the absence of local codes, with **National Electric Code ANSI/NFPA 70-latest edition** or the **Canadian Electric Code CSA C22.1**

**WARNING! Risk of Shock or Explosion! DO NOT** wire IPI controlled appliance junction box to a switched circuit. Incorrect wiring will override IPI safety lockout.

**WARNING! Risk of Shock or Explosion! DO NOT** wire 110V to the valve or to the appliance wall switch. Incorrect wiring will damage controls.

**WARNING! Risk of Fire and Electric Shock! Use ONLY** Hearth & Home Technologies-approved optional accessories with this appliance. Using non-listed accessories could result in a safety hazard and will void the warranty.

**CAUTION! Risk of Cuts/Abrasions/Flying Debris.** Wear protective gloves and safety glasses during installation. Sheet metal edges are sharp.



Description	Part Number	Qty
Fan		1
Electrical Cord		1
Fan Shield	4049-238	1
Air Deflector	4058-193	1
Control Module	4021-708	1
<b>Fastener Pack</b>	<b>4016-048</b>	<b>1</b>
Foam Tape	4021-655	2
Magnetic Tape	4021-654	2
Jumper Wire (blue)		1

Table 1 Contents of Carton

## 1. Fan Assembly

- Bend hand brakes of fan bracket as shown in Figure 1.



Figure 1

- Attach fan bracket by hooking hand brakes into open end of fan as shown in Figure 2. Crimp down tight with pliers so tabs do not interfere with rotor blades.

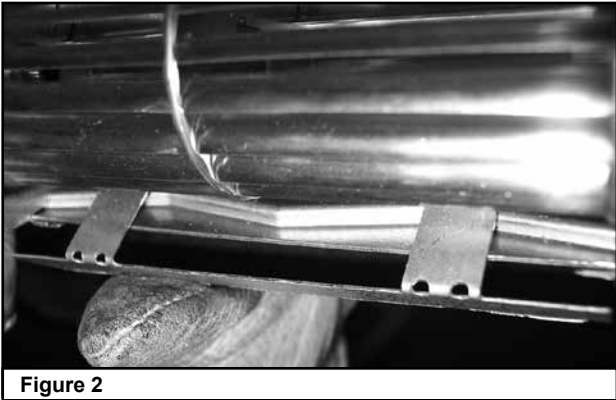


Figure 2

- Secure bracket to fan with two screws as shown in Figure 3.



Figure 3

- Cut foam tape into two equal pieces.
- Apply magnetic tape and foam to fan bracket as shown in Figure 4.

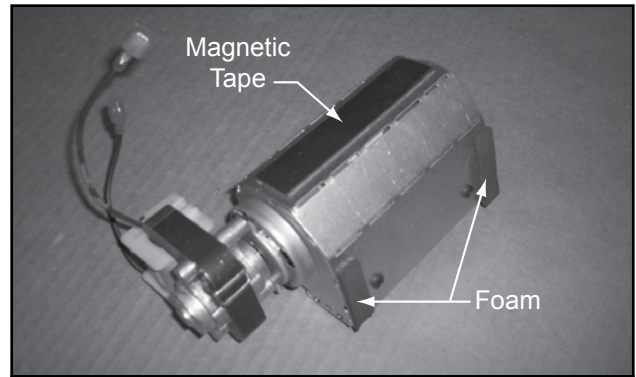


Figure 4

**Note: The next two steps apply only if installing in the Aveo:**

- Locate air deflector and hand brake ends as shown in Figure 5.



Figure 5

- Secure the air deflector with four screws as shown in Figure 6.

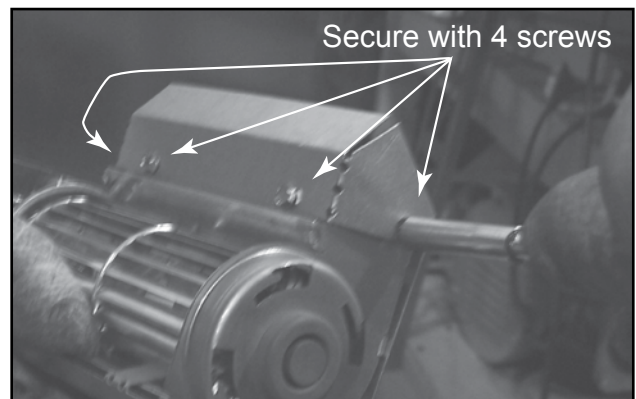


Figure 6

**The following steps apply to all installations:**

- Attach power supply cord to terminals of fan motor. Attach ground wire to fan body with screw.

## 2. Install the Fan

- Position the fan all the way to the rear and center in the appliance.

**Eclipse only:** Tip and rotate the fan (Figure 8) so the exhaust end of fan is between inner and outer shell.

- Make sure fan motor is centered over aluminum plate on bottom pan. See Figures 7 and 9.

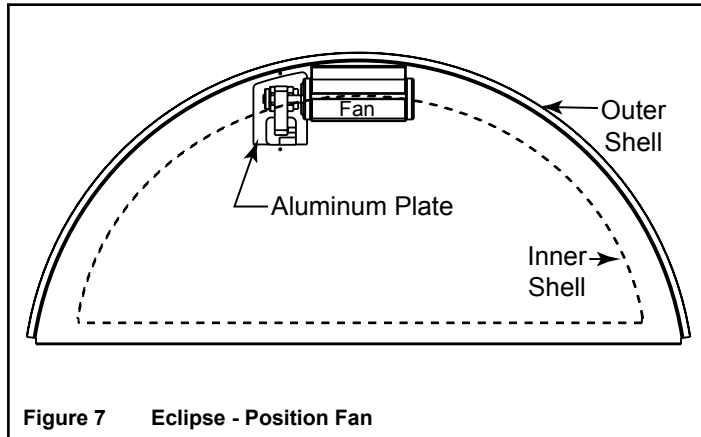


Figure 7 Eclipse - Position Fan

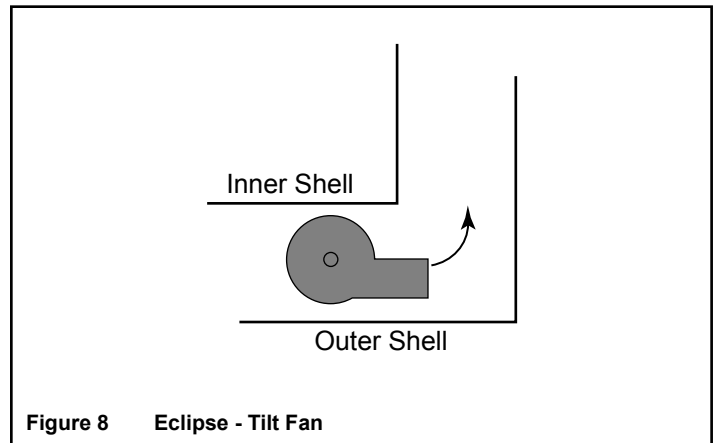


Figure 8 Eclipse - Tilt Fan

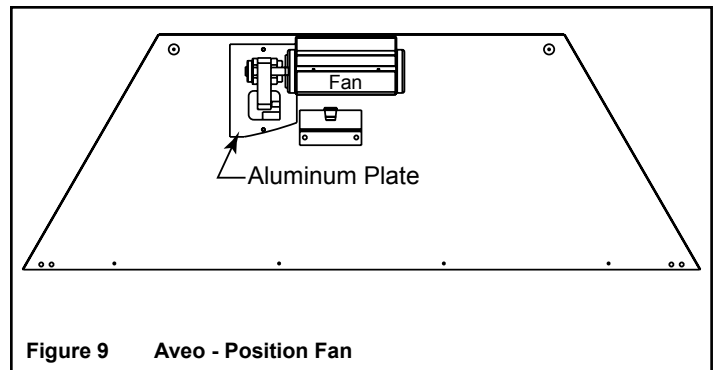


Figure 9 Aveo - Position Fan

- Plug the fan cord into the junction box outlet labeled "FAN."

## ➔ 3. Wiring the Fan Control Module - DEXEN VALVE (IPI) \*

- Connect the black, white and red wires with 1/4 in. female connectors from fan control module to appliance junction box as shown in Figure 10.
- Connect the black ground wire to the appliance.
- Remove the green ignition control wire from the valve.
- Connect the black with white stripe wire with 3/16 in. piggyback connector from fan control module to valve.
- Connect green ignition control wire to piggyback connector on black with white stripe fan control module wire.

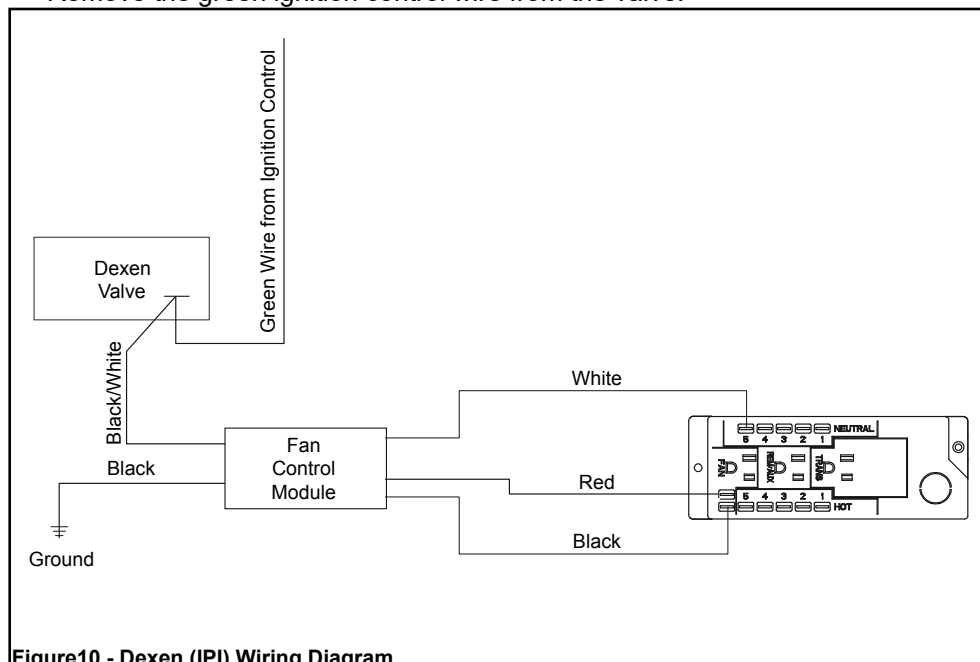
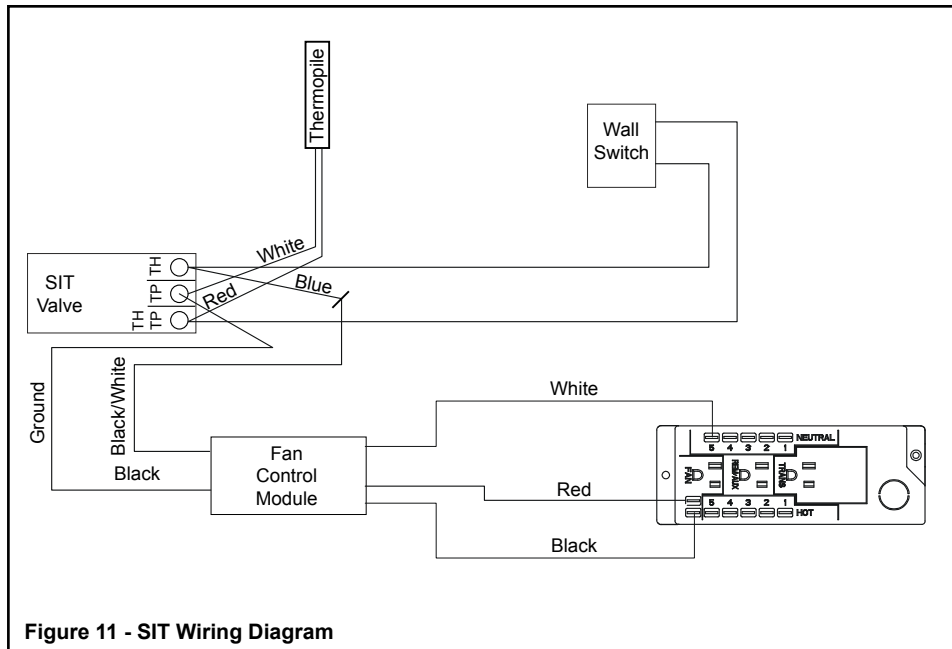


Figure 10 - Dexen (IPI) Wiring Diagram

\* INCLUDES INTELLIFIRE-PLUS WHEN USING RC100. FAN TIMER NOT LISTED WITH RC200 OR RC300.

#### 4. Wiring the Fan Control Module - SIT VALVE

- Connect the black, white and red wires with 1/4 in. female connectors from fan control module to appliance junction box as shown in Figure 11.
- Connect the black ground wire with the ring terminal to the TP screw on the valve (center).
- Connect blue jumper wire between fan control wire (black with white stripe) and valve. Plug 1/4 in. female end of blue jumper wire to the back side of valve wiring block marked TH.



#### 5. Recommended Fan Control Set-up Procedure

**Note:** The test sequence works only during the first (approximately) seven minutes after power-up.

With burner and pilot extinguished:

- Turn control knob clockwise to activate control.
- Press and hold test button on the control module.
  - Fan will turn on.
  - Adjust fan speed to the desired speed using the control knob.
  - Release test button. Fan will stop.
- Fan control is now fully operational and will operate automatically each time appliance is used.
- Operates with APPROXIMATELY a 7-minute delay to turn on and a 12-minute delay to turn off.