

GFK-160T Fan System

- Installation and Operating Instructions -



Leave this manual with party responsible for use and operation.

CAUTION! Risk of Cuts or Abrasions. Wear protective gloves and safety glasses during installation. Sheet metal edges are sharp.

Note: For ease of installation install Fan Kit prior to gas line installation.

1. Introduction

The GFK-160T Fan has been designed to circulate room air through the fireplace to enhance heat output. The GFK-160T fan system operates on 120 VAC, 60 Hz power. This is available through a receptacle in the factory installed junction box. The junction box is located in the controls compartment of the fireplace.

A variable speed control is provided with the fan system to provide quiet forced air flow at the desired speeds. A temperature sensor switch, which automatically turns the fan ON/OFF, is also provided with this kit. This kit may also be installed for use with the optional IFT-RC400 remote and auxiliary control module kit.

2. Kit Contents

Remove and verify contents from packaging before beginning installation. See Figure 1.

CAUTION! Do not install damaged components.

If any parts are missing or damaged, contact your dealer before starting installation. **DO NOT** install a damaged kit.

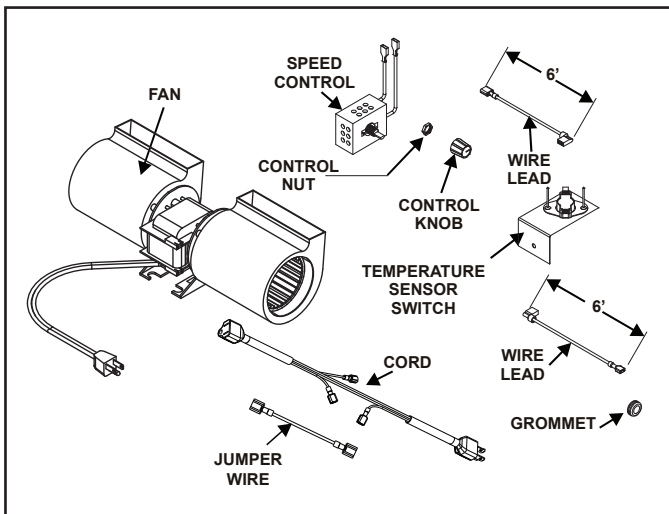


Figure 1 Components of Fan Kit

3. Installation Precautions

The GFK-160T Fan Kit is tested and safe when installed in accordance with this installation manual. It is your responsibility to read all instructions before starting installation and to follow these instructions carefully during installation to assure maximum benefit from, and safe operation of, the fan.

This fan is carefully engineered and must be installed only as specified. If you modify it or any of its components, you may cause a fire hazard and will void the WARRANTY. In addition, such action may void the coverage provided by the owner's home insurance.

NOTE: This fan kit is not approved for installation with the use of the TWI-MOD decorative barrier front.

CAUTION: All wiring should be done by a qualified electrician and shall be in compliance with local codes and with the National Electric Code ANSI/NFPA NO. 70-current (in the United States), or with the current CSA C22.1 Canadian Electric Code (in Canada).

WARNING! Risk of Shock or Explosion! DO NOT wire 110V to the valve or to the appliance wall switch.

- Incorrect wiring will damage this valve.
- Incorrect wiring will override IPI safety lockout.

4. Installation Instructions

A. installing the Fan

Position the fan all the way to the left side of the fireplace and center front to back. Pull the fan 1/8 inch to 1/4 inch from the side wall of the fireplace. See Figure 2.

Note: For wiring information see following pages.

B. installing the Fan

If the available IFT-RC400 IntelliFire Touch® Remote Control & Auxiliary Control Module Kit is to be installed to control the fan, the temp sensor switch and speed sensor will be installed.

Proceed to Section 4.E.

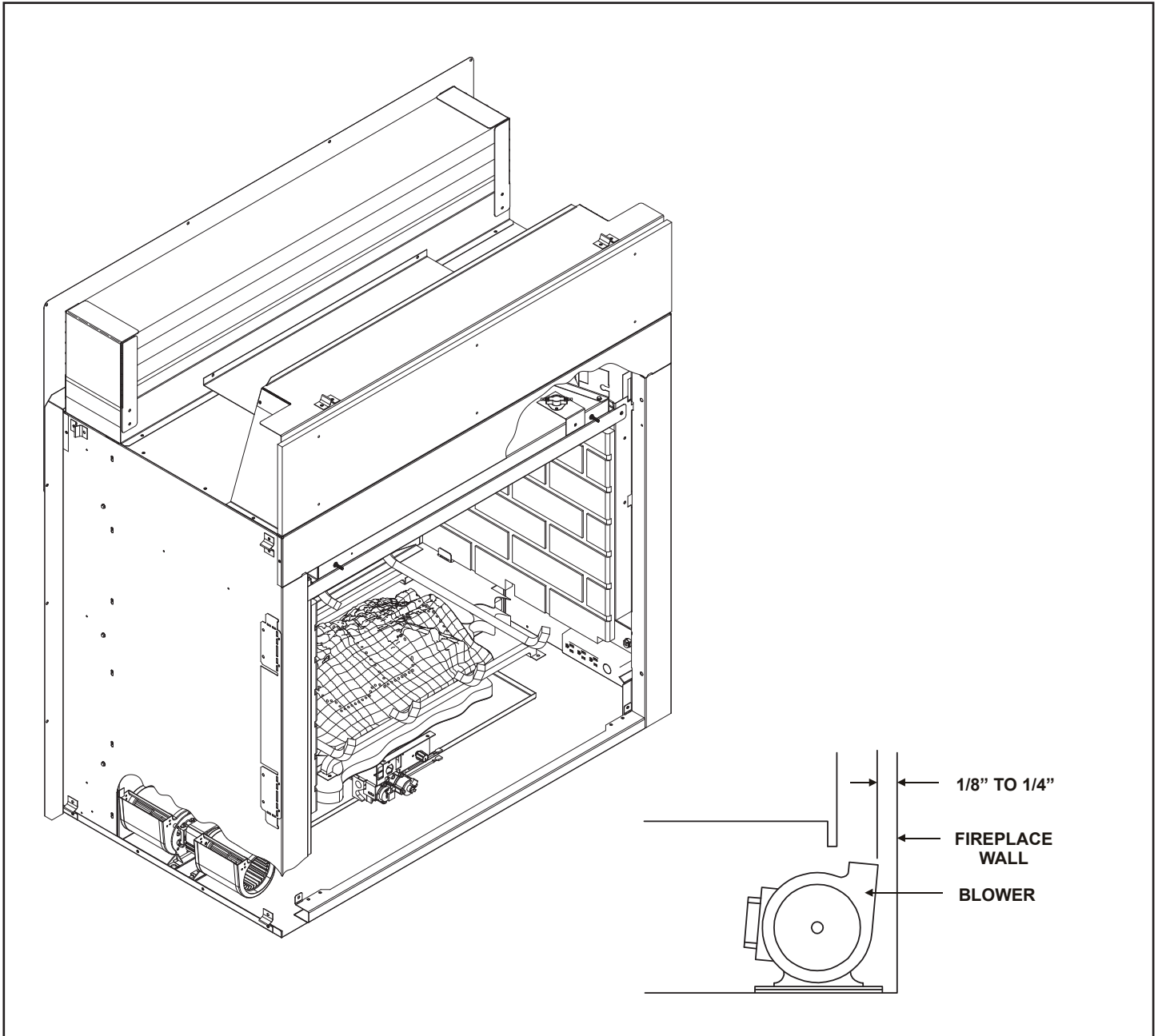


Figure 2 Fan Location

C. Installing the Speed Control and Sensor Switch

1. Remove the knob and locknut from the variable speed control. Slide the control behind valve bracket in the front of fireplace, with the stem sticking out of the pre-punched hole. Attach the locknut tightly and reattach the knob on the stem. See Figure 3.
2. Secure wires to sensor switch bracket. See Figure 3.
3. Slide the temperature sensor switch/bracket assembly onto the firebox inner top of fireplace. Secure the bracket assembly with supplied screw. See Figure 3.

4. Plug fan into cord provided.
5. Plug a temp switch wire into a speed control wire.
6. Plug the other speed control wire into the black wire on cord.
7. Plug the remaining speed switch wire into the other black wire on the cord. The white terminal will not be used.
8. Plug cord into junction box.

NOTE: The switch/bracket assembly **must** be installed so that the sensor switch is towards the top of the unit.

NOTE: If any of the original wire as supplied with the appliance must be replaced, it must be replaced with type 105 °C rated wire.

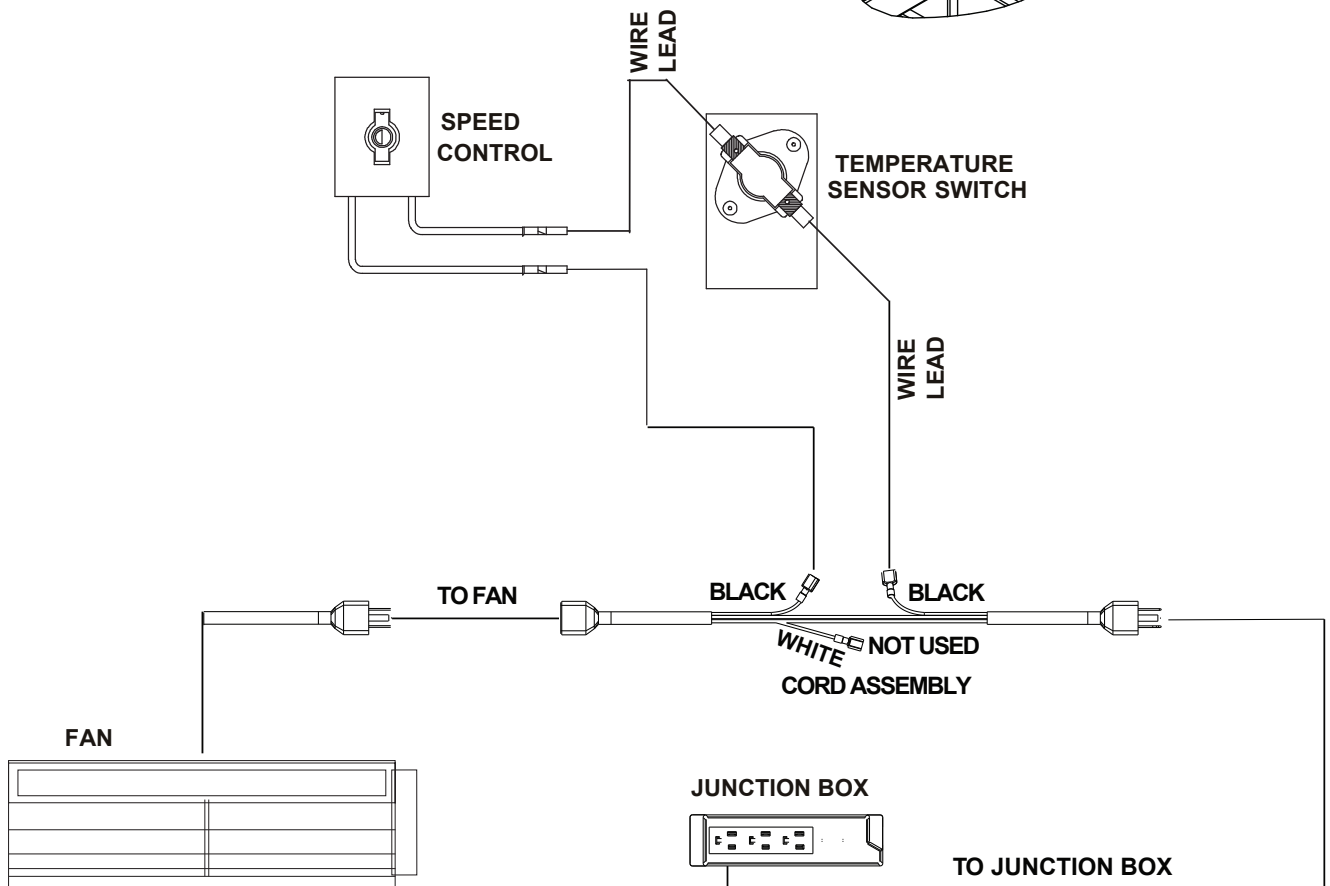
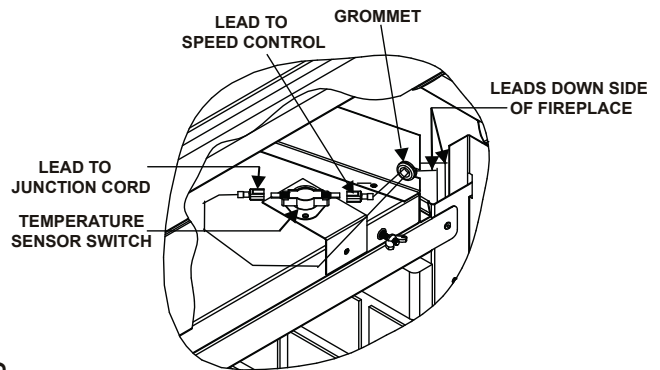


Figure 3 Temp Sensor Switch Wiring Diagram

E. Wiring Instructions for Installation with IFT-RC400 Remote Control

1. Attach blue jumper wire to black terminals on cord.
2. Attach cord to fan.
3. Remove rubber plug on control module.
4. Install aux module onto control module (will snap in place).
5. Remove rubber plug in front of control module. Install remote module (will snap in place).
6. Plug cord into right side of aux labeled "fan".
7. Refer to IFT-RC400 Remote Control Install instructions for pairing instructions.

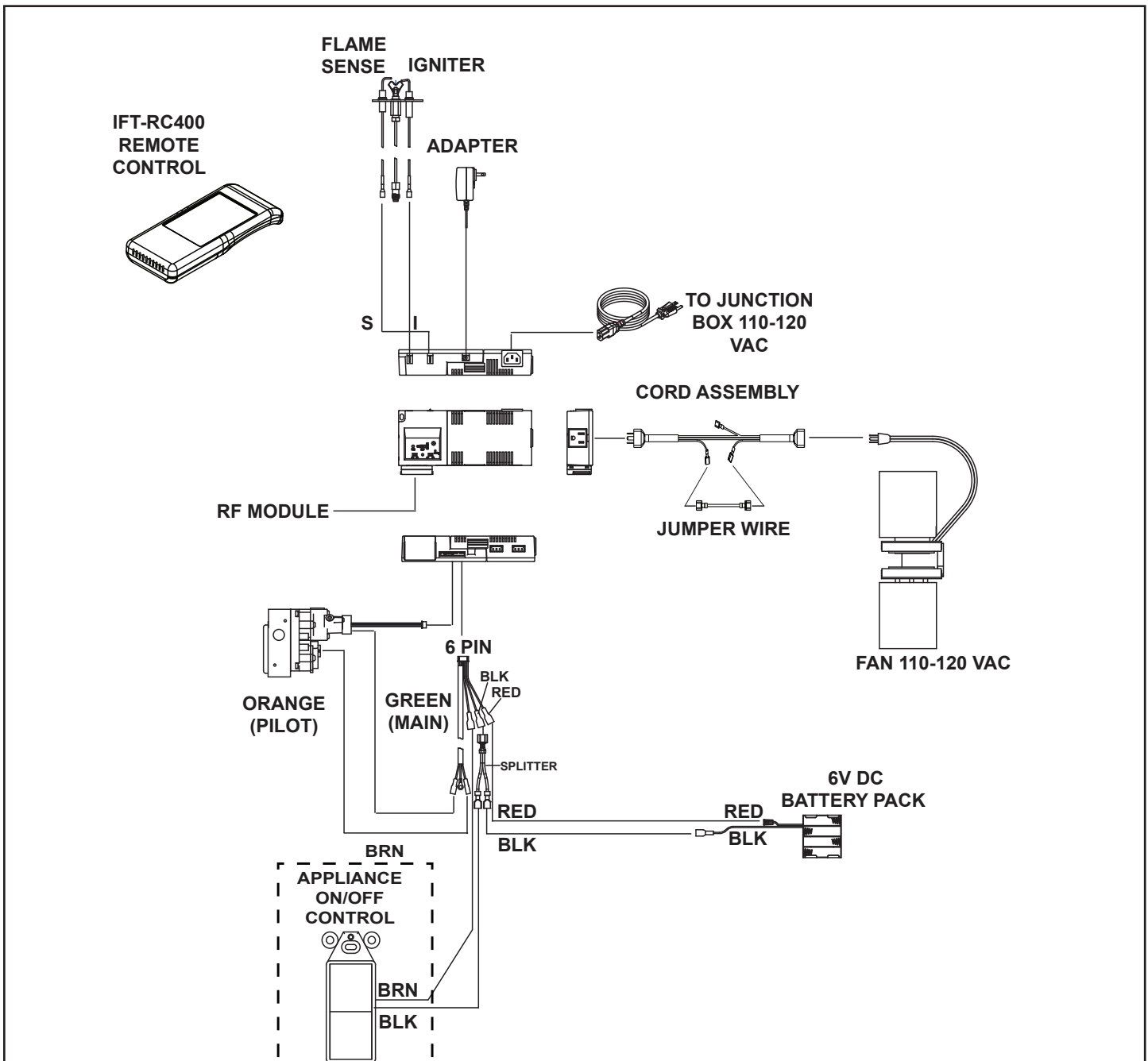


Figure 4 Fan Wiring Diagram with IFT-RC400

5. Replacement Parts and Customer Service

Replacement parts and service may be obtained through your dealer.

DESCRIPTION	SERVICE PART NUMBER
Cord Assembly	SRV2005-863
Temp Sensor Assembly	2087-022
72 Inch Wire Assembly	258-501A
80 Inch Wire Assembly	522-501A
Jumper Wire	2155-033

Please contact your Hearth & Home Technologies dealer with any questions or concerns.
For the location of your nearest
Hearth & Home Technologies dealer,
please visit www.fireside.com.