

# Parts Manual DishDrawer®

**Model:**  
DD24DCB6 FP US

**Product Code:**  
88531-A



care



## PRODUCT

<b>Brand</b>	Fisher & Paykel
<b>Voltage</b>	110V 60Hz
<b>Model</b>	DD24DCB6 FP US
<b>Product Code</b>	88531-A

**Fisher & Paykel Appliances**  
5900 Skylab Road  
Huntington Beach  
CA 92647  
Telephone: 888 936 7872

COPYRIGHT® FISHER & PAYKEL LTD 2009 - ALL RIGHTS RESERVED



# CONTENTS

FRONT PANELS/CONTROLS.....	6
CABINET.....	8
LID & LINK ASSEMBLY.....	12
TUBS & COMPONENTS.....	14
BASKETS & RACKS.....	18
INSTALLATION COMPONENTS.....	20

## GUIDE TO USING THIS MANUAL

The model covered by this manual is listed on the front cover.

The information detailed in this manual is subject to change without notice. The latest version is indicated by the reprint date and replaces any earlier editions.

The front cover picture shows the type of product and may not necessarily be an exact image of the model covered by the manual.

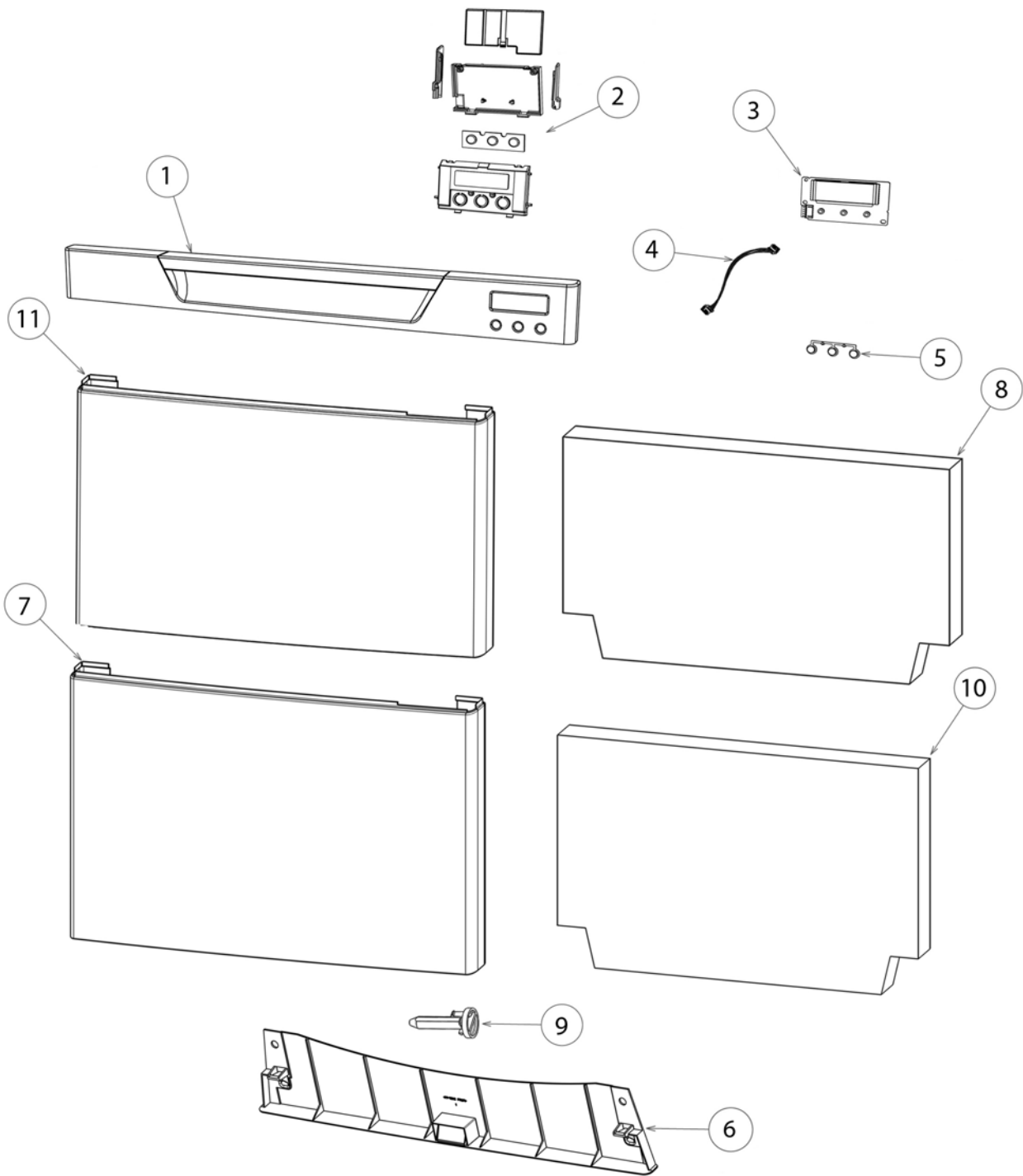
### Kit Parts

Kit components are shown in *italics*. Where a part number is shown against the descriptions for these kit components, they are also available as separate items. In addition, some parts may be supplied with these kits that are not available as separate items, and are therefore either not listed, or a part number is not shown against the part description in this manual.

### Parts List Key

<i>italics</i>	Kit components or parts included are shown in <i>italics</i> . Refer to above notes: Kit Parts.
NI	As a part reference, indicates the part is not illustrated on the diagram.
NOT USED	As a part number, indicates the diagram part reference is not used in this manual.

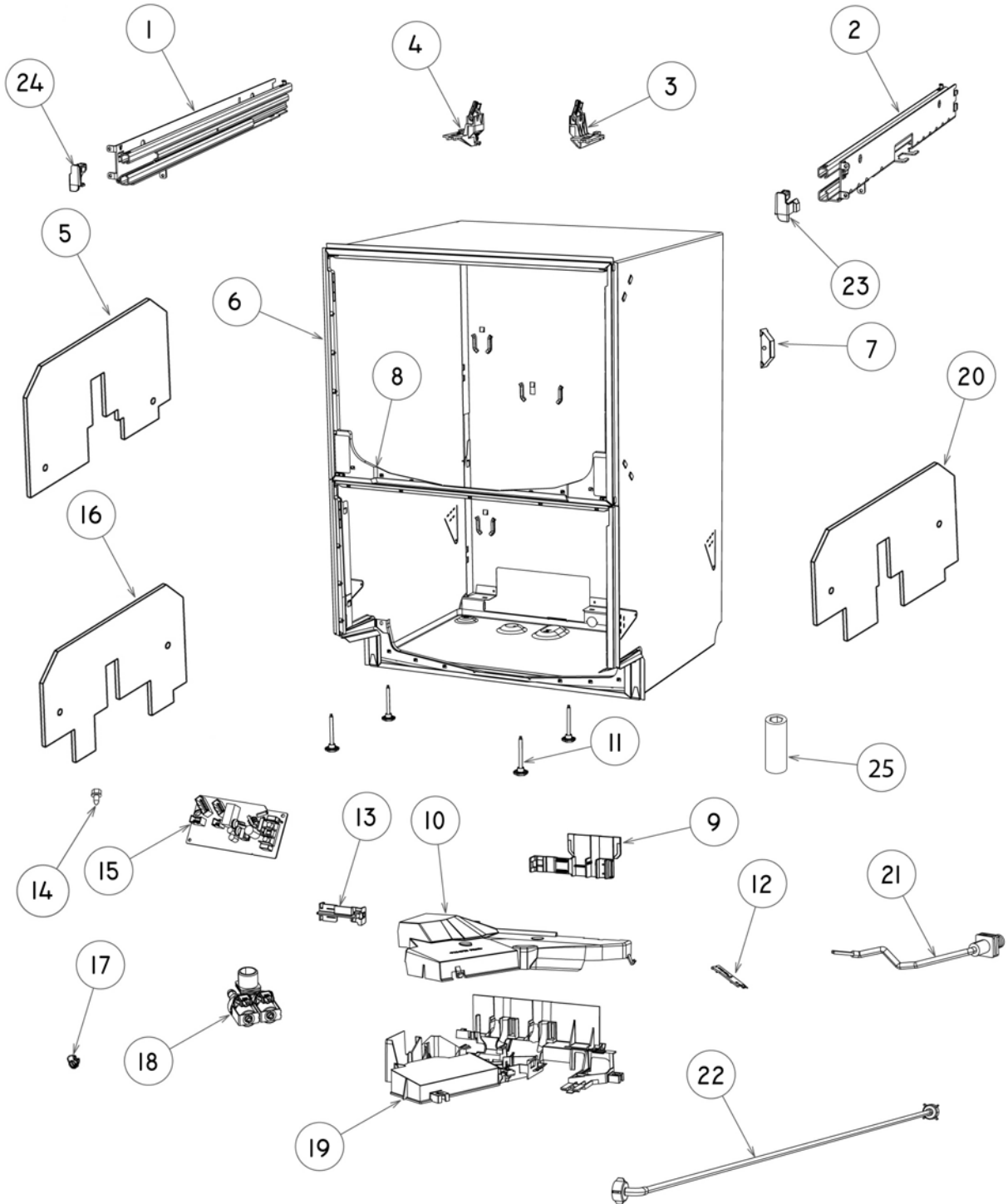
# FRONT PANELS/CONTROLS



## FRONT PANELS/CONTROLS

REF	PART	DESCRIPTION
1	522898	KIT HANDLE ASSY DD606 BLACK
	<i>Includes</i>	<i>HANDLE BODY CLASSIC BLACK 606</i>
	<i>Includes</i>	<i>HANDLE GRIP CLASSIC 606 BK</i>
	<i>Includes</i>	<i>ANCHOR HANDLE CLASSIC 606</i>
2	522899	KIT LCD HOUSING DD 606
	<i>Includes</i>	<i>SEAL BUTTONS LCD CLASSIC</i>
	<i>Includes</i>	<i>HOUSING LCD BACK CLASSIC 606</i>
	<i>Includes</i>	<i>GUIDE LCD ASSY CLASSIC LH</i>
	<i>Includes</i>	<i>GUIDE LCD ASSY CLASSIC RH</i>
	<i>Includes</i>	<i>WEDGE HOUSING LCD CLASSIC</i>
	<i>Includes</i>	<i>LENSE LCD CLASSIC 606</i>
3	522452	MODULE LCD 525CLASSIC BL NROHS
4	529854	HARNESS BADGE ISOLATOR 605
5	522499	BUTTONS LCD CLASSIC BLACK
6	522469P	KIT INSERT DOOR 606 CLSC
7	522902	KIT DOOR ASSY LOWER BK
	<i>Includes</i>	<i>DOOR LWR 606 CLASSIC BK</i>
	<i>Includes</i> 522469	<i>INSERT DOOR 606 CLASSIC</i>
	<i>Includes</i>	<i>BRACKET INT SHIELD RH ROHS</i>
	<i>Includes</i>	<i>BRACKET INT SHIELD LH ROHS</i>
	<i>Includes</i> 546692	<i>SCREW ST 8X12MM TAB MTS</i>
8	522714	INSUL DOOR 606 CLSC LOWER LONG
9	525010	PIN DOOR
10	522616	INSUL DOOR 606 CLSC 820 UPPER
11	522905	KIT DOOR ASSY UPPER BK
	<i>Includes</i>	<i>DOOR UPR 820 CLASSIC BK</i>
	<i>Includes</i> 522469	<i>INSERT DOOR 606 CLASSIC</i>
	<i>Includes</i>	<i>BRACKET INT SHIELD RH ROHS</i>
	<i>Includes</i>	<i>BRACKET INT SHIELD LH ROHS</i>
	<i>Includes</i> 546692	<i>SCREW ST 8X12MM TAB MTS</i>

# CABINET



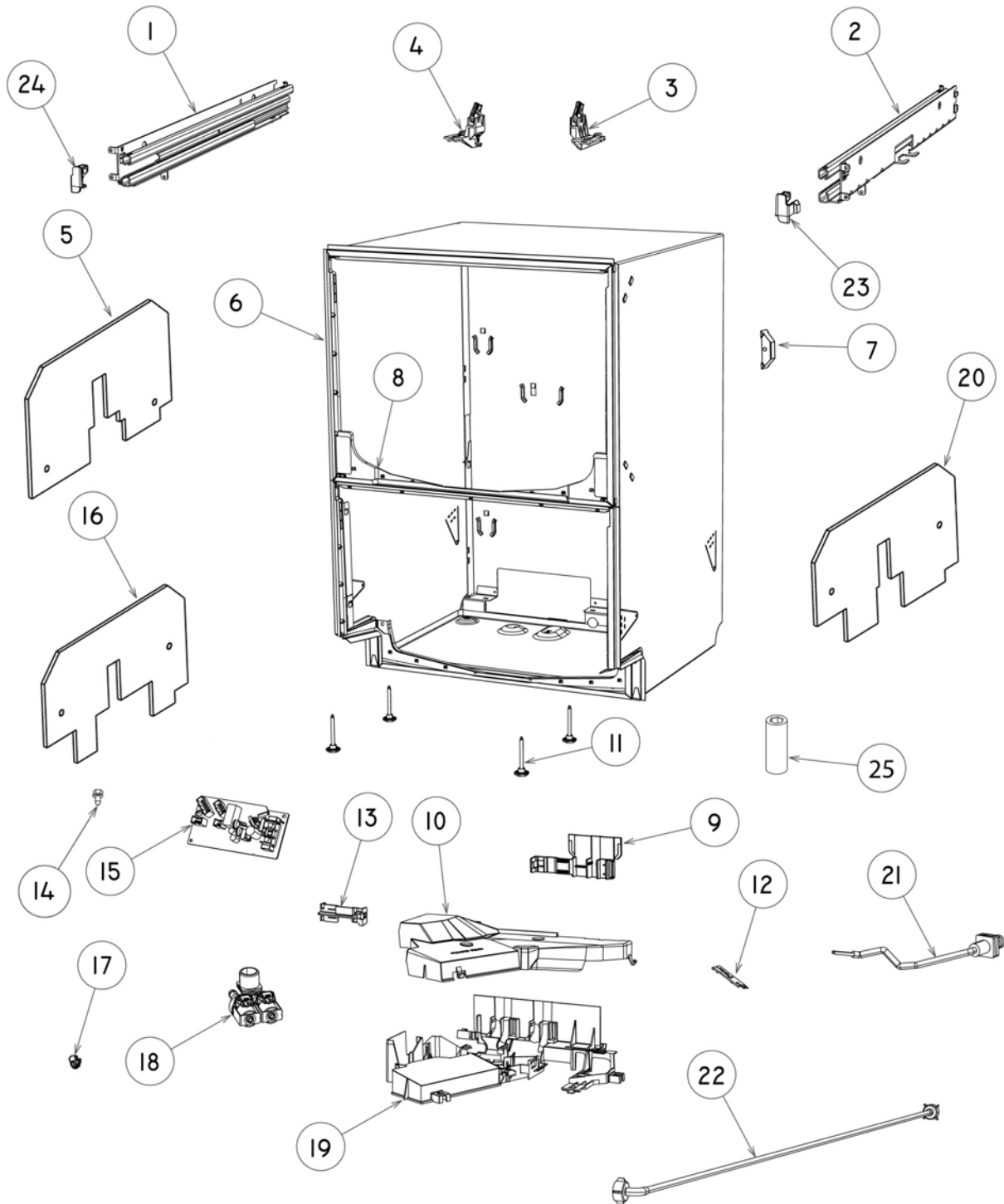


# CABINET

REF	PART	DESCRIPTION
1	526321P	KIT SLIDE & BRACKET ASSY LH
	<i>Includes</i>	<i>SPACER LID OFFSET</i>
2	526322P	KIT SLIDE & BRACKET ASSY RH
	<i>Includes</i>	<i>SPACER LID OFFSET</i>
NI	556607P	SCREW MC M5X10 TAPTITE (PKT 10)
3	522584	LATCH ASSY RH DD 606
4	522585	LATCH ASSY LH DD 606
5	528821	INSULATION CHASSIS TOP
6	522914	KIT REPLACE CHASSIS DD60D5/6
	<i>Includes 525968</i>	<i>MOUNT LINK TOP</i>
	<i>Includes</i>	<i>CHASSIS DOUBLE ASSY GALV</i>
	<i>Includes</i>	<i>INSTR SHT CHASSIS REPLACE PH3/5/6</i>
	<i>Includes</i>	<i>TAB TOP (2)</i>
	<i>Includes</i>	<i>INSTALL TAB TTA (2)</i>
	<i>Includes</i>	<i>INSTALL TAB TTB (2)</i>
	<i>Includes 527881</i>	<i>TRIM UPPER COMOULD</i>
	<i>Includes 527884</i>	<i>TRIM LOWER COMOULD</i>
	<i>Includes 528277</i>	<i>PRISM TUB HOME 605 (2)</i>
	<i>Includes 528941</i>	<i>FOOT (4)</i>
7	528277	PRISM TUB HOME 605
8	522083	KIT TRIMSEAL CHARCOAL DD605
	<i>Includes</i>	<i>TRIM UPPER COMOULD</i>
	<i>Includes</i>	<i>TRIM LOWER COMOULD</i>
	<i>Includes 528277</i>	<i>PRISM TUB HOME 605 (2)</i>
9	525968	MOUNT LINK TOP
10	527732	COVER MAINS FILTER
11	526509	FOOT
12	527727	GROMMET 605 CHASSIS MODULE
13	526250	RETAINER LINK
14	556082P	SCREW ST M4X12 XTITE HXW (PKT 10)
15	527788P	PCB MAINS FILTER 110V DBL (SP)
16	528820	INSULATION CHASS BOT LEFT
17	525466	CLAMP HOSE HERBIE TYPE E
18	522146	VALVE INLET DOUBLE 2.5L
19	522143	KIT HOUSING MAINS FILTER ASSY 605
	<i>Includes</i>	<i>HOUSING MAINS FILTER 605</i>
	<i>Includes 527727</i>	<i>GROMMET 605 CHASSIS MODULE</i>
	<i>Includes 526250</i>	<i>RETAINER LINK (2)</i>
NI	528783P	SCREW ST M3.5X25 PLASTBK (PKT 10)
20	528819	INSULATION CHASS BOT RGT
21	529695	FLEX MAINS 605 US
NI	572638	SADDLE TERMINATION STRIP
NI	556607P	SCREW MC M5X10 TAPTITE (PKT 10)
22	525970	HOSE INLET WIRSBO US

Continued next page

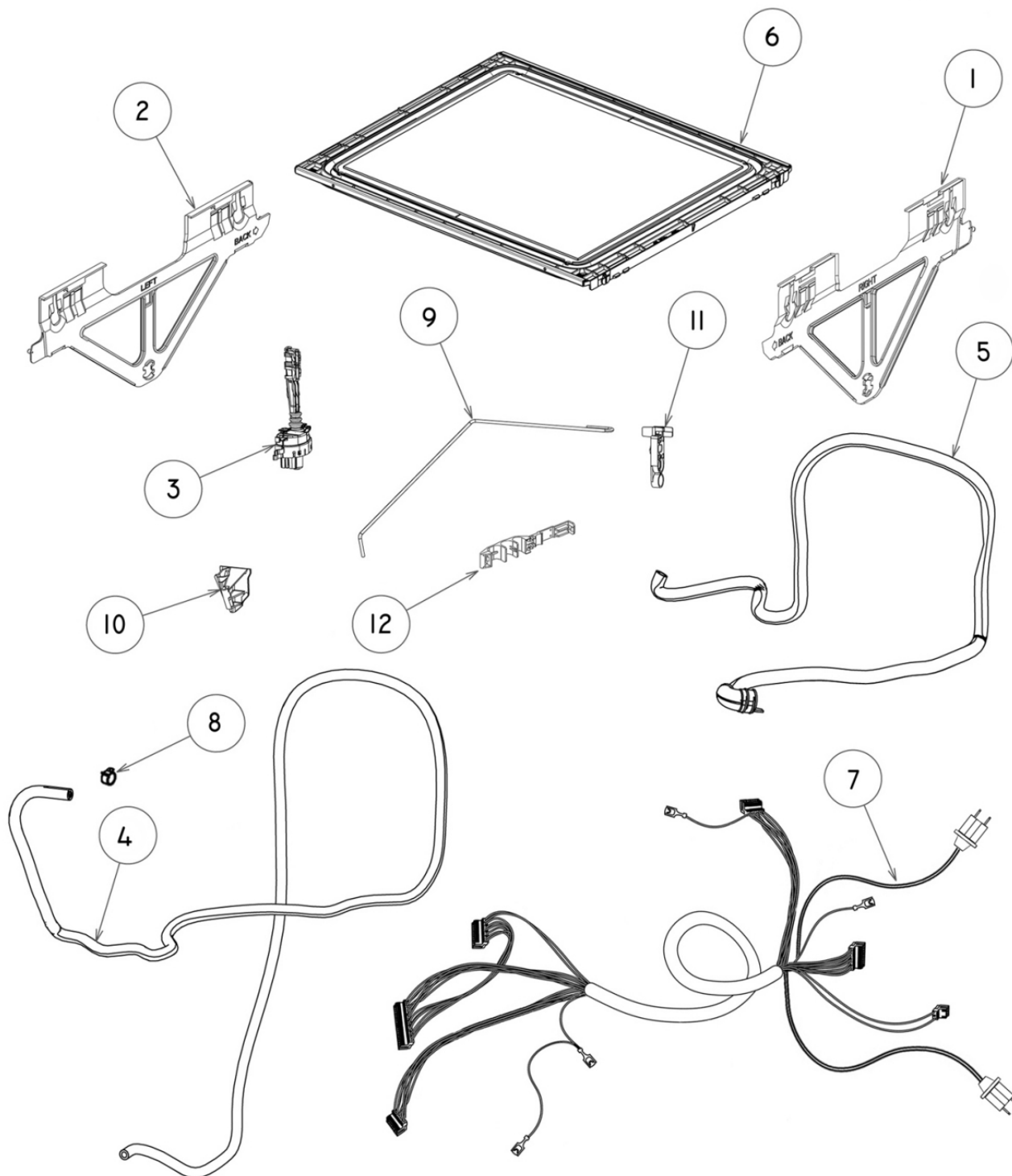
# CABINET



**CABINET**

<b>REF</b>	<b>PART</b>	<b>DESCRIPTION</b>
NI	525938P	WASHER WIRSBO US (PKT 10)
NI	526161	ADAPTOR HOSE INLET US
23	525971	CLIP TUB RELEASE RH
24	525972	CLIP TUB RELEASE LH
25	522158	KIT FOOT TOOLS 605
	<i>Includes</i>	<i>FOOT TOOL 605</i>
	<i>Includes</i>	<i>FOOT TOOL 45MM 605</i>

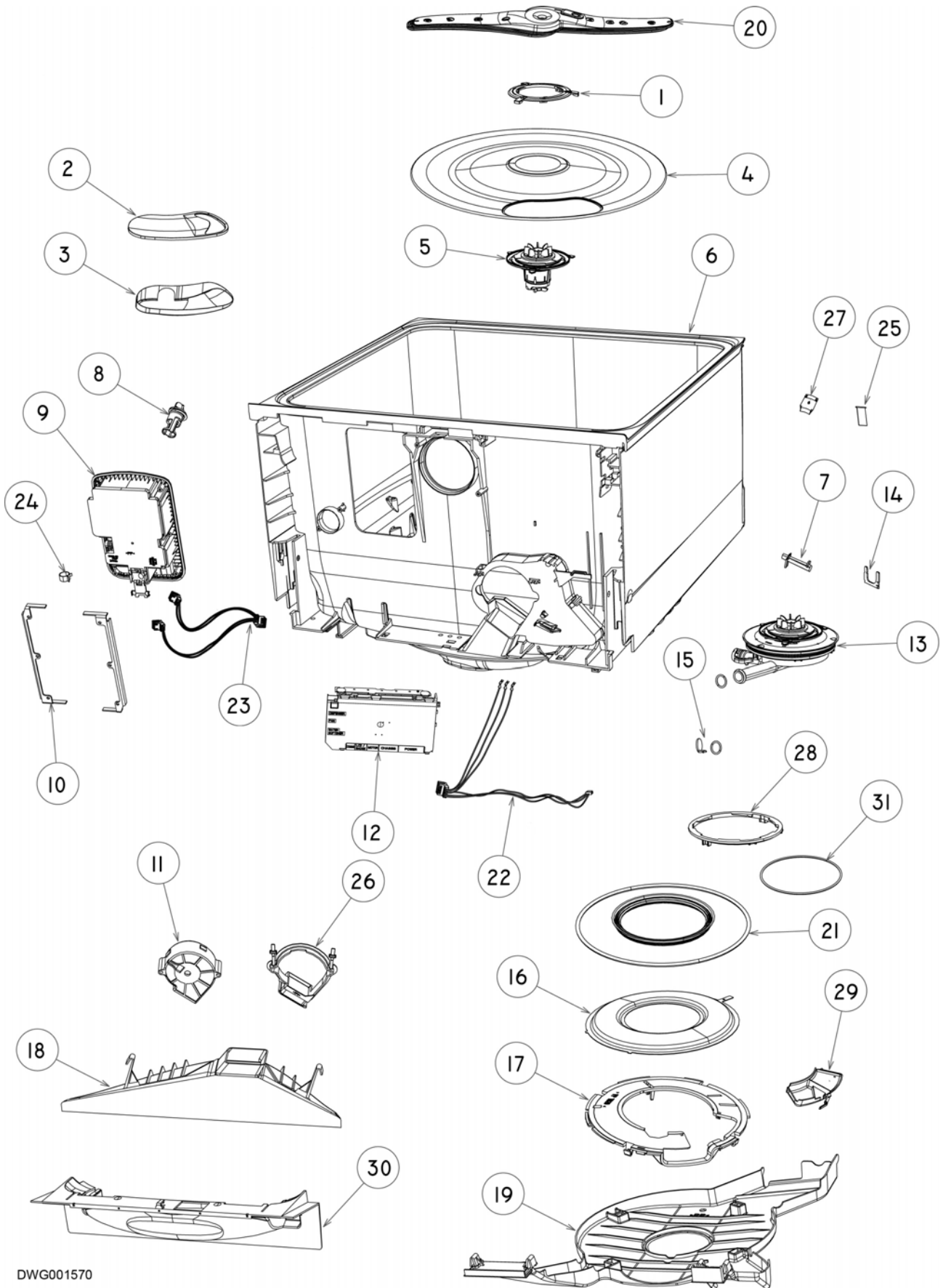
# LID & LINK ASSEMBLY



## LID & LINK ASSEMBLY

REF	PART	DESCRIPTION
1	529969	LID YOKE RIGHT
2	529970	LID YOKE LEFT
3	522085	KIT LID ACTUATORS 605 (PKT 2)
4	526837	HOSE FILL LOWER
	522403	HOSE FILL CO-EX UPPER 606
5	522086	KIT DRAIN HOSE 605
	<i>Includes</i>	<i>O RING CUFF SOCKET UL REC</i>
	<i>Includes</i>	<i>HOSE DRAIN UPPER ASSY 605</i>
	<i>Includes</i>	<i>FLAP VALVE DRAIN 605</i>
NI	525798	KIT DRAIN HOSE EXTENSION 3.6M
	<i>Includes</i>	<i>DRAIN HOSE EXTENSION (2)</i>
	<i>Includes</i> 525482	<i>CLIP WIRE DRAIN (4)</i>
	<i>Includes</i>	<i>DRAIN HOSE JOINER (2)</i>
NI	527394	KIT DRAIN HOSE JOINER
	<i>Includes</i> 525482	<i>CLIP WIRE DRAIN (2)</i>
	<i>Includes</i>	<i>DRAIN HOSE JOINER</i>
6	529964P	LID ASSY 605
7	522536	HARNESS CHASSIS LOWER DD60
	522537	HARNESS CHASSIS UPPER DD60
8	528674	CLAMP HOSE TYPE 12232-17-4
9	528095	ROD LINK SUPPORT
10	528101	BRACKET LINK SUPPORT
11	528162	CLIP LINK SUPPORT
12	528537P	CLIP LINK TUB SIDE (PKT 10)

# TUBS & COMPONENTS

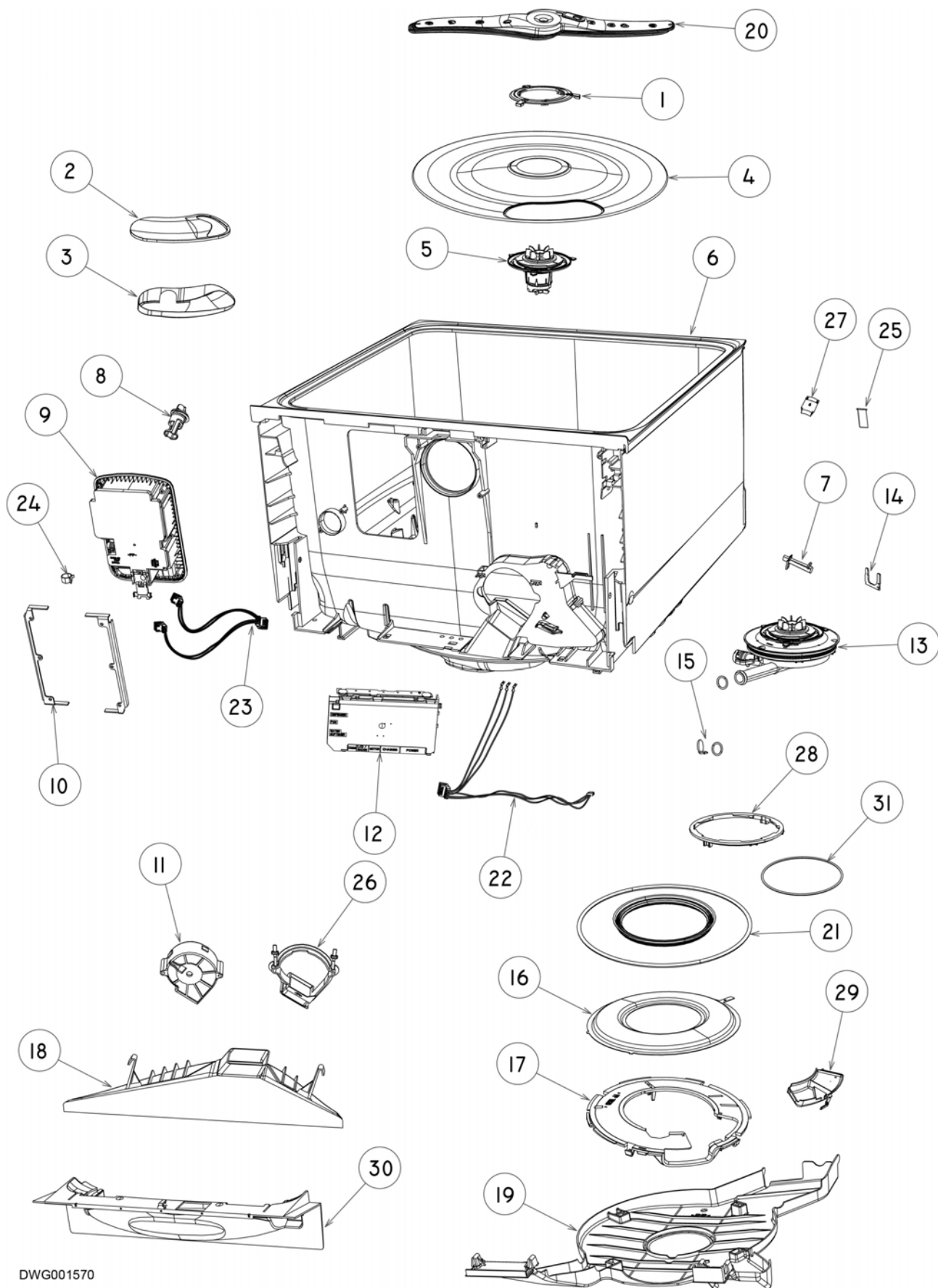


## TUBS & COMPONENTS

REF	PART	DESCRIPTION
1	526069	LOCK NUT FILTER PLATE
2	529818	TRIM DRAIN FILTER 605
3	529824	DRAIN FILTER ASSY 6MM 605
4	529822P	FILTER PLATE ASSY 316 605 SP
	<i>Includes</i>	<i>FILTER PLATE 316</i>
	<i>Includes 526069</i>	<i>LOCK NUT FILTER PLATE</i>
	<i>Includes 529818</i>	<i>TRIM DRAIN FILTER 605</i>
5	528136P	MOTOR ROTOR ASSY 605 SP
6	522350	TUB STD W/ASSY DD606
7	528276	LIGHT PIPE TUB HOME 605
8	527694	BUNG ASSY DISPENSER RINSE AID
9	526860	KIT DISPENSER
	<i>Includes</i>	<i>DISPENSER DISHDRAWER</i>
	<i>Includes 526789</i>	<i>BRACKET DISPENSER SHORT (2)</i>
NI	556155P	SCREW M3.5X14 PANTX K35 (PKT 10)
10	526789	BRACKET DISPENSER SHORT
11	522006	HARNESS & FAN ASSY
12	522946USP	MOD CTRL 525 TALL 120V NROHS
NI	529041	PANEL CONTROLLER 605
13	522088	KIT MOTOR ASSY PH5
	<i>Includes</i>	<i>MOTOR ASSY COMP PH5</i>
	<i>Includes 525058</i>	<i>SEAL HEATER PLATE/TUB</i>
	<i>Includes 525940</i>	<i>O RING CUFF SOCKET UL REC</i>
	<i>Includes 522178</i>	<i>O RING 208 DRAIN INLET</i>
	<i>Includes 529169</i>	<i>SEAL ELEMENT INNER 605</i>
	<i>Includes 529194</i>	<i>FLAP VALVE DRAIN 605</i>
	<i>Includes 522154</i>	<i>SHIM MOTOR ASSY 605</i>
	<i>Includes</i>	<i>INSTRUCTIONS SHIM MOTOR ASSY</i>
14	528785P	HALL SENSOR PCB ASSY 605 ROHS
15	522150	KIT FLAP VALVE/O RING 605 (PKT 2)
	<i>Includes</i>	<i>FLAP VALVE DRAIN 605 (2)</i>
	<i>Includes</i>	<i>O RING CUFF SOCKET UL REC (2)</i>
16	522091	KIT HEATER PLATE 605 110V
	<i>Includes</i>	<i>HEATER PLATE 605 110V</i>
	<i>Includes 525058</i>	<i>SEAL HEATER PLATE/TUB</i>
	<i>Includes 525940</i>	<i>O RING CUFF SOCKET UL REC</i>
	<i>Includes 522178</i>	<i>O RING 208 DRAIN INLET</i>
	<i>Includes 529169</i>	<i>SEAL ELEMENT INNER 605</i>
	<i>Includes 529194</i>	<i>FLAP VALVE DRAIN 605</i>
	<i>Includes 522154</i>	<i>SHIM MOTOR ASSY 605</i>
	<i>Includes</i>	<i>INSTRUCTIONS SHIM MOTOR ASSY</i>
17	529151	LOCKNUT OUTER 605
18	529144	DUCT TOP WELDED 605
19	529152	COVER WIRING CO-MOULD 605

Continued next page

# TUBS & COMPONENTS



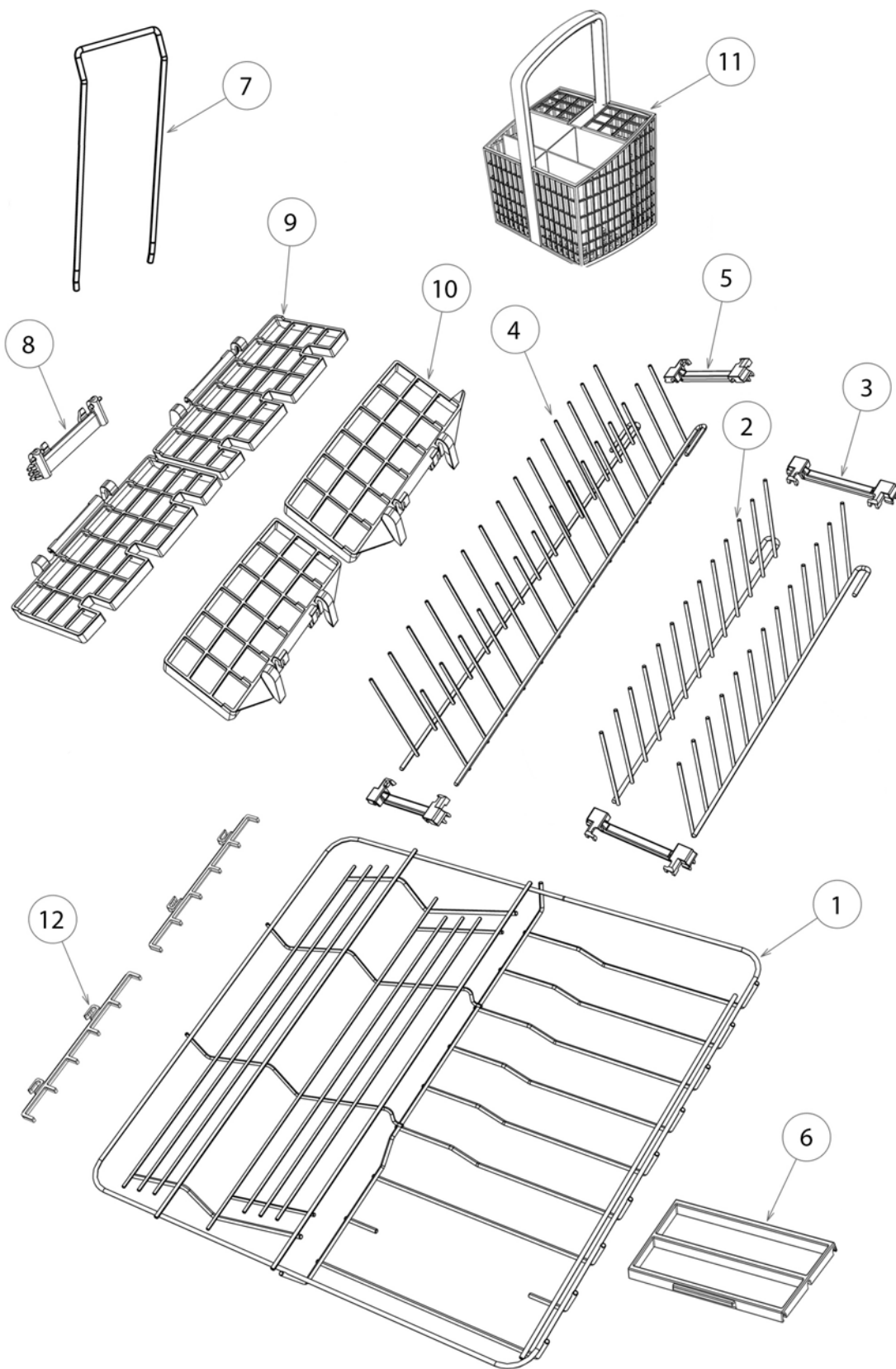
DWG001570



## TUBS & COMPONENTS

REF	PART	DESCRIPTION
20	527475	SPRAY ARM ASSY SLUICING 03 18H
21	522089	KIT SEAL WASH 605
	<i>Includes 525058</i>	<i>SEAL HEATER PLATE/TUB</i>
	<i>Includes 525940</i>	<i>O RING CUFF SOCKET UL REC</i>
	<i>Includes 522178</i>	<i>O RING 208 DRAIN INLET</i>
	<i>Includes 529169</i>	<i>SEAL ELEMENT INNER 605</i>
	<i>Includes 529194</i>	<i>FLAP VALVE DRAIN 605</i>
	<i>Includes 522154</i>	<i>SHIM MOTOR ASSY 605</i>
	<i>Includes</i>	<i>INSTRUCTIONS SHIM MOTOR ASSY</i>
22	529683	HARNESS MOTOR PH5
23	526263	HARNESS DISPENSER PH3
24	528674	CLAMP HOSE TYPE 12232-17-4
25	528063	FLAP VALVE FAN HOUSING 605
26	529039	ISOLATION DRYING FAN 605
27	528064	RETAINER FLAP FAN HOUSING 605
28	522163	KIT LOCKNUT INNER
	<i>Includes</i>	<i>LOCK NUT INNER 605</i>
	<i>Includes 522154</i>	<i>SHIM MOTOR ASSY 605</i>
	<i>Includes</i>	<i>INSTRUCTIONS SHIM MOTOR ASSY</i>
29	529157	COVER CONNECTOR ELEMENT 605
30	522160	COWLING ASSY 605
31	522154P	SHIM MOTOR ASSY 605

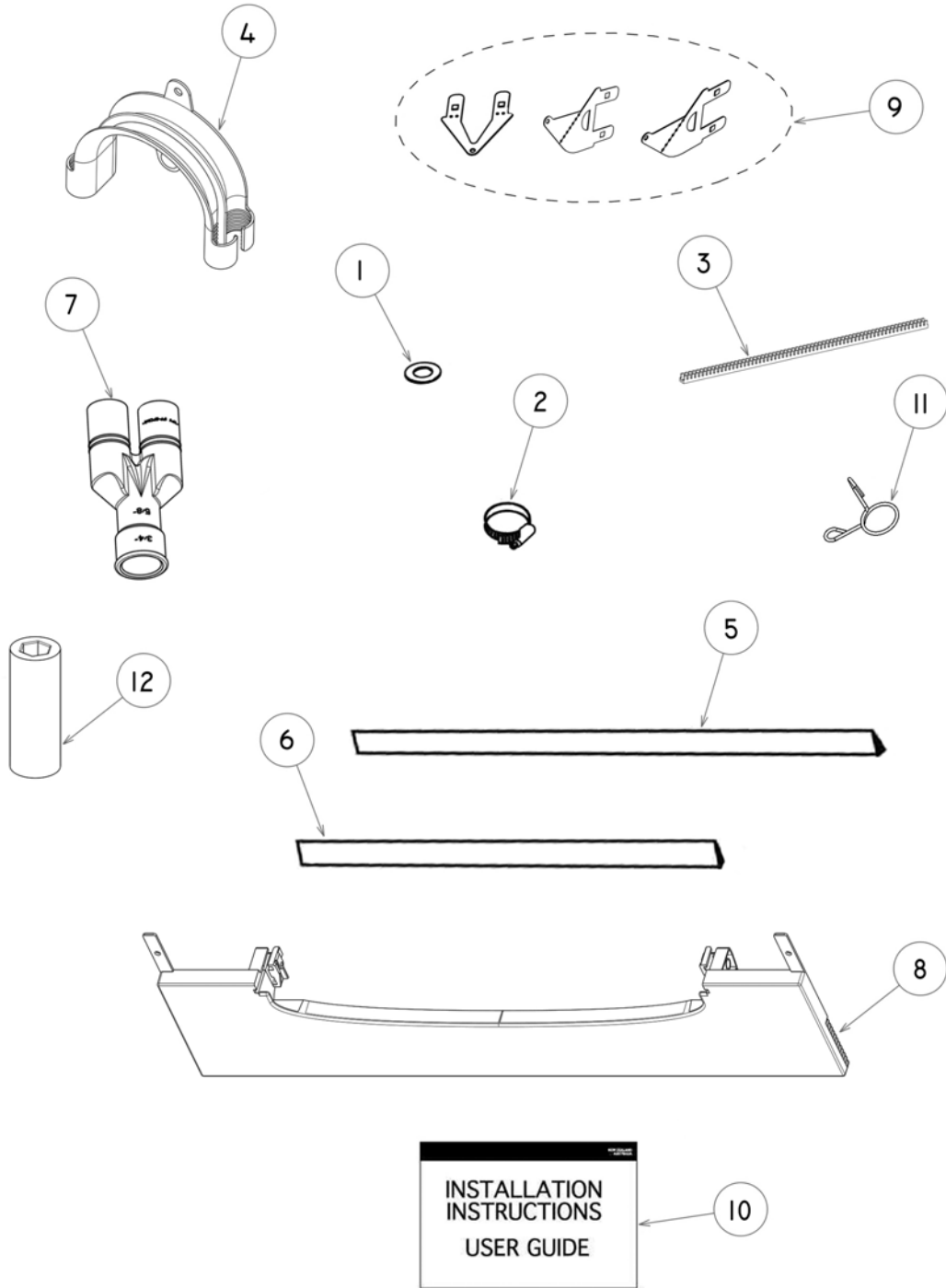
# BASKETS & RACKS



## BASKETS & RACKS

REF	PART	DESCRIPTION
1	522657	BASE RACK ASSY 606
2	522942	KIT COMBS/CLIPS MP SET
	<i>Includes</i>	<i>COMB MAIN PLATES LHS</i>
	<i>Includes</i>	<i>COMB MAIN PLATES RHS</i>
	<i>Includes</i>	<i>CLIP FRONT MP</i>
	<i>Includes</i>	<i>CLIP BACK FOLDDOWN MP</i>
3	522944	KIT CLIP MP FRONT/BACK
	<i>Includes</i>	<i>CLIP BACK FOLDDOWN</i>
	<i>Includes</i>	<i>CLIP FRONT MP</i>
4	522941	KIT COMBS/CLIPS BB SET
	<i>Includes</i>	<i>COMB BB FOLD DOWN LHS</i>
	<i>Includes</i>	<i>COMB BB FOLD DOWN RHS</i>
	<i>Includes</i>	<i>CLIP FRONT BB</i>
	<i>Includes</i>	<i>CLIP BACK FOLDDOWN</i>
5	522943	KIT CLIP BB FRONT/BACK
	<i>Includes</i>	<i>CLIP FRONT BB</i>
	<i>Includes</i>	<i>CLIP BACK FOLDDOWN</i>
6	522681	TRAP DOOR 48MM
7	522683	WIRE SUPPORT CUP RACK STD
8	522694P	CLIP CUPRACK SEMIFLEX (PKT 4)
9	522692	CUPRACK SEMIFLEX 100MM
10	522693	CUPRACK SEMIFLEX 80MM
11	527585	CUTLERY BASKET ASSY
12	522691P	SUPPORT GLASS CLIPON (PKT 2)

# INSTALLATION COMPONENTS



## INSTALLATION COMPONENTS

REF	PART	DESCRIPTION
1	525938P	WASHER WIRSBO US (PKT 10)
2	528690	CLAMP HOSE DIA 32-14
3	525935	EDGE 160MM 22PKG020 UHMWPE US
4	525477	SUPPORT DRAIN HOSE
5	526771	TRIM CAVITY SIDE DBL CHARCL US
6	526773	TRIM CAVITY TOP CHARCL US
7	529872	DRAIN HOSE JOINER DBL US
8	526679	KIT KICKSTRIP BLACK US
NI	528782P	SCREW WS 8X5/8TWINFST ZP (PKT 10)
9	523007	KIT INSTALL TAB DISHDRAWER
	<i>Includes</i>	<i>TAB TOP (2)</i>
	<i>Includes</i>	<i>INSTALL TAB TTA (2)</i>
	<i>Includes</i>	<i>INSTALL TAB TTB (2)</i>
	<i>Includes</i>	<i>SCREW WS 8X5/8TWINFST MTSPH ZP (6)</i>
10	599594	BOOK SET USER DD24 US CA
	<i>Includes</i>	<i>BOOK USER GUIDE DD24 US CA</i>
	<i>Includes</i>	<i>BOOK SERVICE &amp; WARRANTY</i>
	<i>Includes</i>	<i>CARD REGISTRATION</i>
11	525482P	CLIP WIRE DRAIN (PKT 2)
12	522158	KIT FOOT TOOLS 605
	<i>Includes</i>	<i>FOOT TOOL 605</i>
	<i>Includes</i>	<i>FOOT TOOL 45MM 605</i>
NI	522865	KIT INSTAL DBL/SGL PH5/PH6 US
	<i>Includes 525477</i>	<i>SUPPORT DRAIN HOSE</i>
	<i>Includes 525482</i>	<i>CLIP WIRE DRAIN (2)</i>
	<i>Includes 529872</i>	<i>DRAIN HOSE JOINER DBL US</i>
	<i>Includes 529075</i>	<i>DRAIN HOSE JOINER SGL US</i>
	<i>Includes 525938</i>	<i>WASHER WIRSBO US</i>
	<i>Includes 528690</i>	<i>CLAMP HOSE DIA 32-14</i>
	<i>Includes</i>	<i>SCREW WS 8X5/8 TWIN FAST (7)</i>
	<i>Includes 525935</i>	<i>EDGE 160MM 22PKG020 UHMWPE US</i>
	<i>Includes 526797</i>	<i>TAB TOP (2)</i>
	<i>Includes</i>	<i>FOOT TOOL 605</i>
	<i>Includes</i>	<i>FOOT TOOL 45MM 605</i>
	<i>Includes</i>	<i>INSTALL TAB TTA (2)</i>
	<i>Includes</i>	<i>INSTALL TAB TTB (2)</i>
	<i>Includes</i>	<i>CORNER PLUG TRIM DDTALL (4)</i>
	<i>Includes 527228</i>	<i>KIT TAPE UNDERBENCH</i>
NI	527228	KIT TAPE UNDERBENCH
NI	599617	SHT INSTAL SET DD24D STD US CA
NI	526857	CARTON SLEEVE DD REPACK