

This Owner's Manual is provided and hosted by [Appliance Factory Parts](#).



FISHER & PAYKEL DD24DHTI9N Owner's Manual

[Shop genuine replacement parts for FISHER & PAYKEL
DD24DHTI9N](#)



[Find Your FISHER & PAYKEL Dishwasher Parts - Select From 34 Models](#)

----- Manual continues below -----

FISHER & PAYKEL

DISHDRAWER™ DISHWASHER

DD24DHTI9 N FP US CA

PRODUCT CODE: 81216-A

PARTS MANUAL

US CA

INTRODUCTION

BRAND	VOLTAGE	MODEL	PRODUCT CODE
Fisher & Paykel	120VAC 60Hz	DD24DHTI9 N FP US CA	81216-A

MODELS

The models covered by this manual are listed on the front cover. The information detailed in this manual is subject to change without notice. The latest version is indicated by the reprint date and replaces any earlier editions.

KIT PARTS

Where a part number is shown against the descriptions for kit components, they are also available as separate items. In addition, some parts may be supplied with these kits that are not available as separate items, and are therefore either not listed, or a part number is not shown against the part description in this manual.

PARTS LIST KEY

NI	As a part reference, indicates the part is not illustrated on the diagram.
NOT USED	As a part number, indicates the diagram part reference is not used in this manual.
NS	As a part number, indicates the part is not servicable.

US

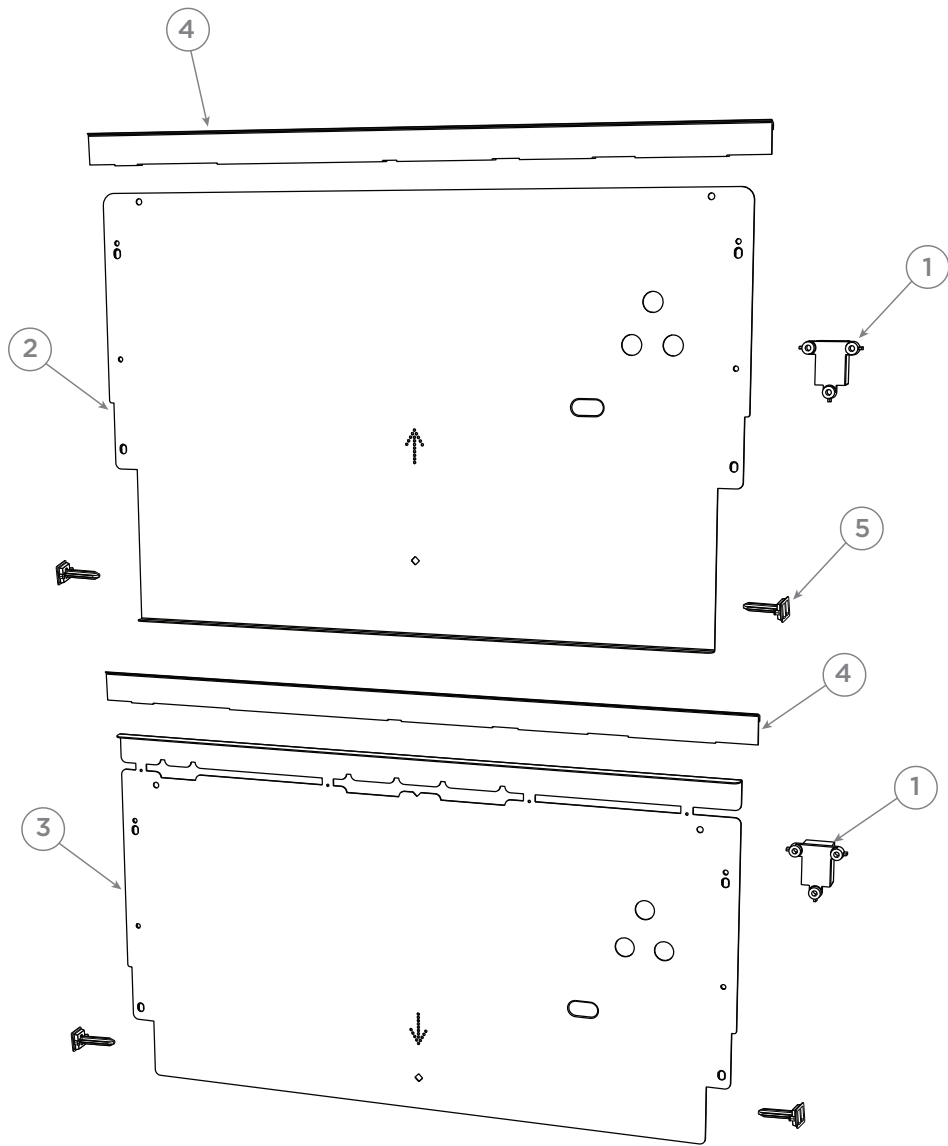
Fisher & Paykel Appliances Inc.
695 Town Center Drive, Suite 180
Costa Mesa.
CA 92626-1902
USA

Customer Care: 1-888-936-7872
Fax: (714) 372-7003
email: customer.care@fisherpaykel.com

CONTENTS

Introduction	1
Front panels/controls	3
Cabinet components	5
Lid & link components	9
Tub components	11
Basket & rack components	17
Installation components	19

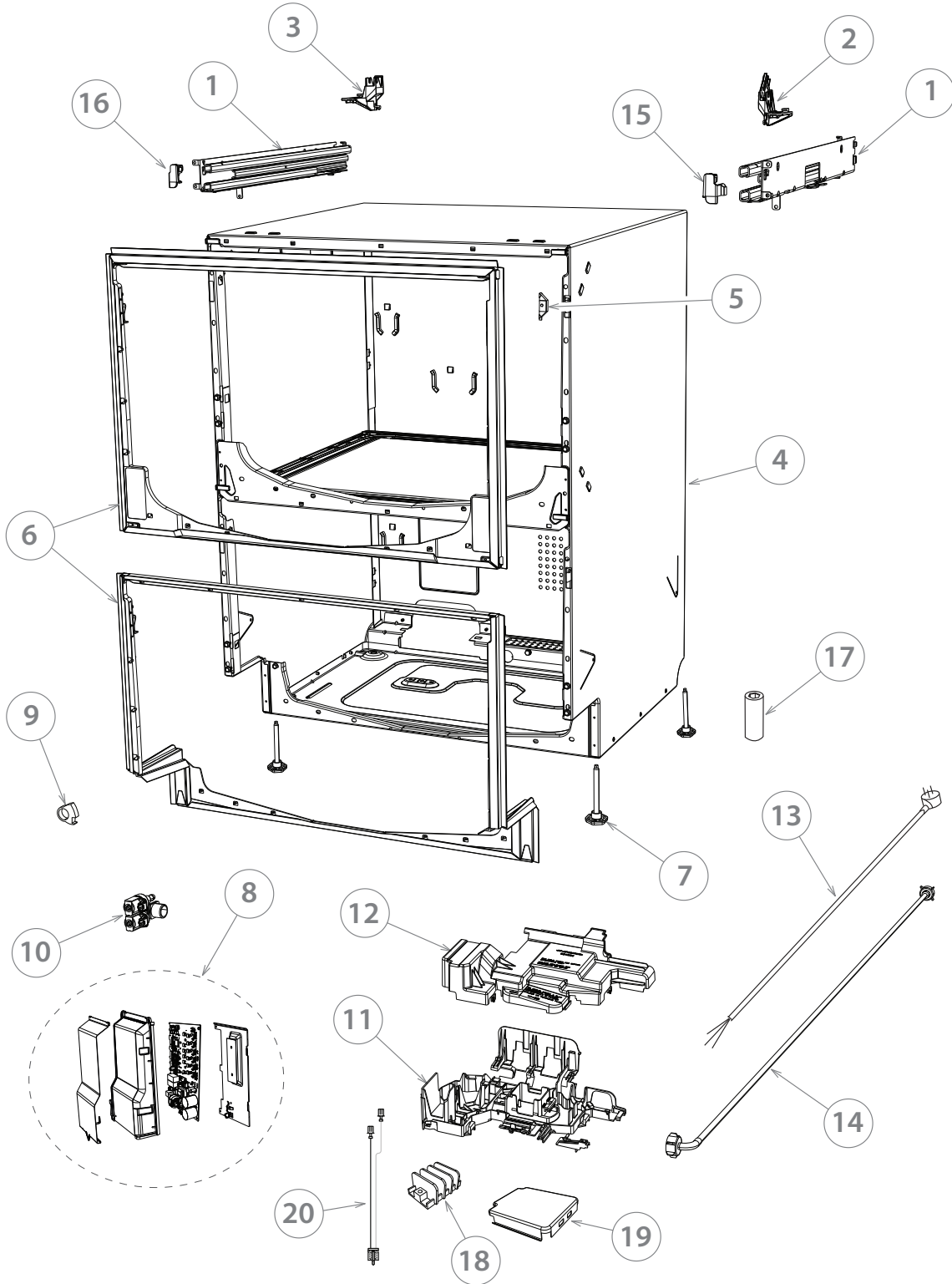
FRONT PANELS/CONTROLS



FRONT PANELS/CONTROLS

REFERENCE	PART NUMBER	PART DESCRIPTION
1	512054	MOD KNOCK SENSOR 525 P9
2	512845	KIT SHIELD INT UPR DD609T
3	512844	KIT SHIELD INT LWR DD609
4	532491	SEAL DOOR DD609 DES INT
5	524885	PIN DOOR SQUARE

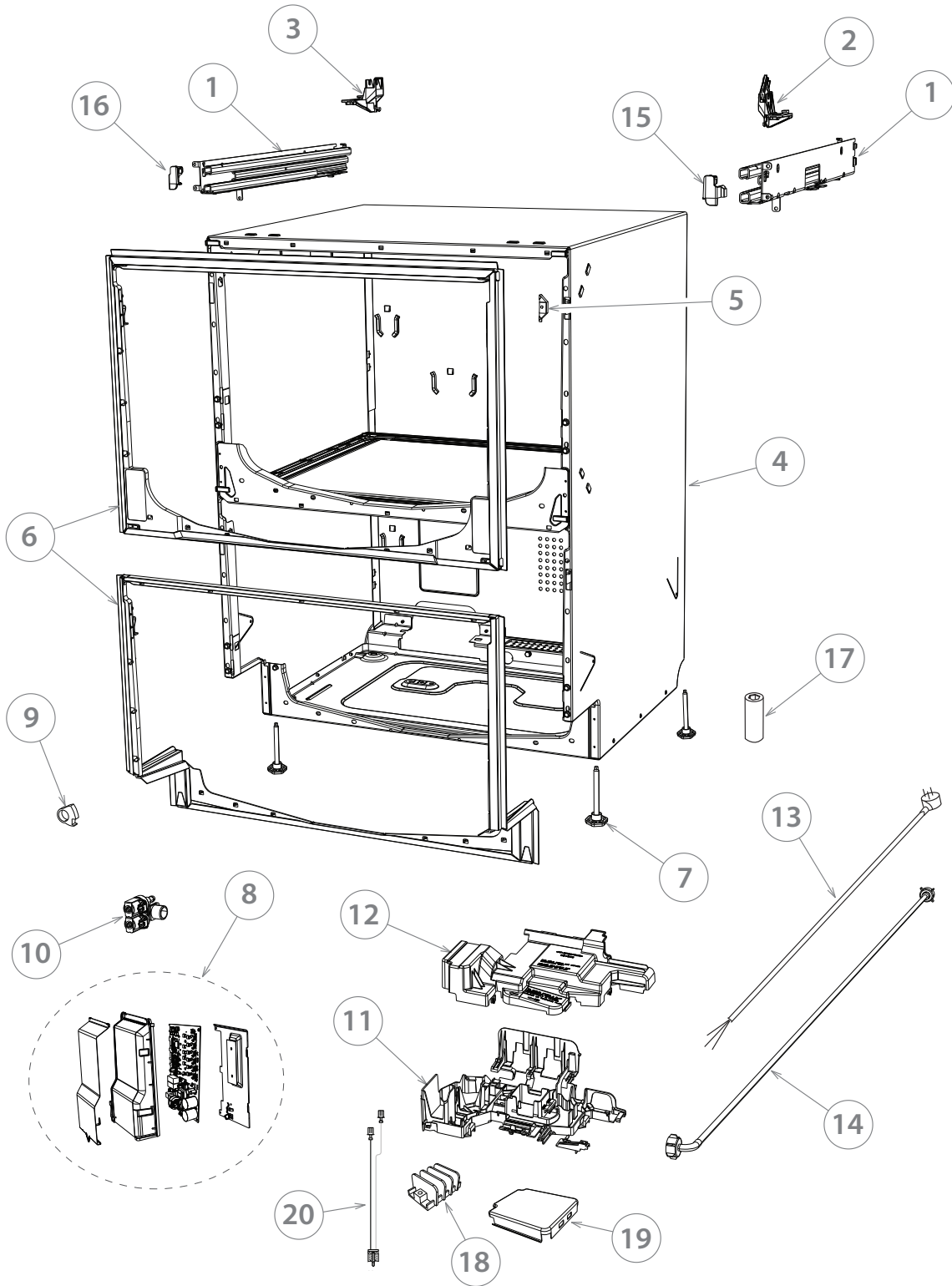
CABINET COMPONENTS



CABINET COMPONENTS

REFERENCE	PART NUMBER	PART DESCRIPTION
1	524116P	KIT BRACKET SLIDE RH & LH ASSY
	Includes	BRACKET SLIDE RH ASSY X 1
	Includes	BRACKET SLIDE LH ASSY X 1
	Includes 556607	SCREW MC M5X10 TAPTITE X 6
	Includes	INSTR SHT SLIDE BRACKET SPARE KIT
NI	556607P	SCREW MC M5X10 TAPTITE (PKT 10)
2	522584	LATCH ASSY RH DD 606
3	522585	LATCH ASSY LH DD 606
4	512009	KIT REPLACE CHASSIS DD60DT9
	Includes 525968	MOUNT LINK TOP
	Includes	CHASSIS ASSY DD60DT8
	Includes	SHT INSTR REPLACE CHASSIS PH8
	Includes	TAB TOP (2)
	Includes	INSTALL TAB TTA
	Includes	INSTALL TAB TTB
	Includes	TRIM UPPER COMOULD ASSY
	Includes	TRIM LOWER COMOULD ASSY
	Includes 524568	3 DEGREE PRISM (2)
	Includes 528941	FOOT (4)
5	524568	3 DEGREE PRISM
6	522993	KIT TRIMSEAL DD60DT
	Includes	TRIM DDTALL COMOULD
	Includes	TRIM LOWER COMOULD
	Includes 524568	3 DEGREE PRISM (2)
	Includes	CORNER PLUG TRIM DD60T6 TALL
7	528941	FOOT
8	510688P	KIT MC 525 PH8 120V DBL SP
	Includes	MOD MC 525 PH8 DD60 120V
	Includes	COVER MC COMOULD DD608
	Includes	SHIELD MC DD608
	Includes	HEATSINK MC DD608
9	525466	CLAMP HOSE HERBIE TYPE E

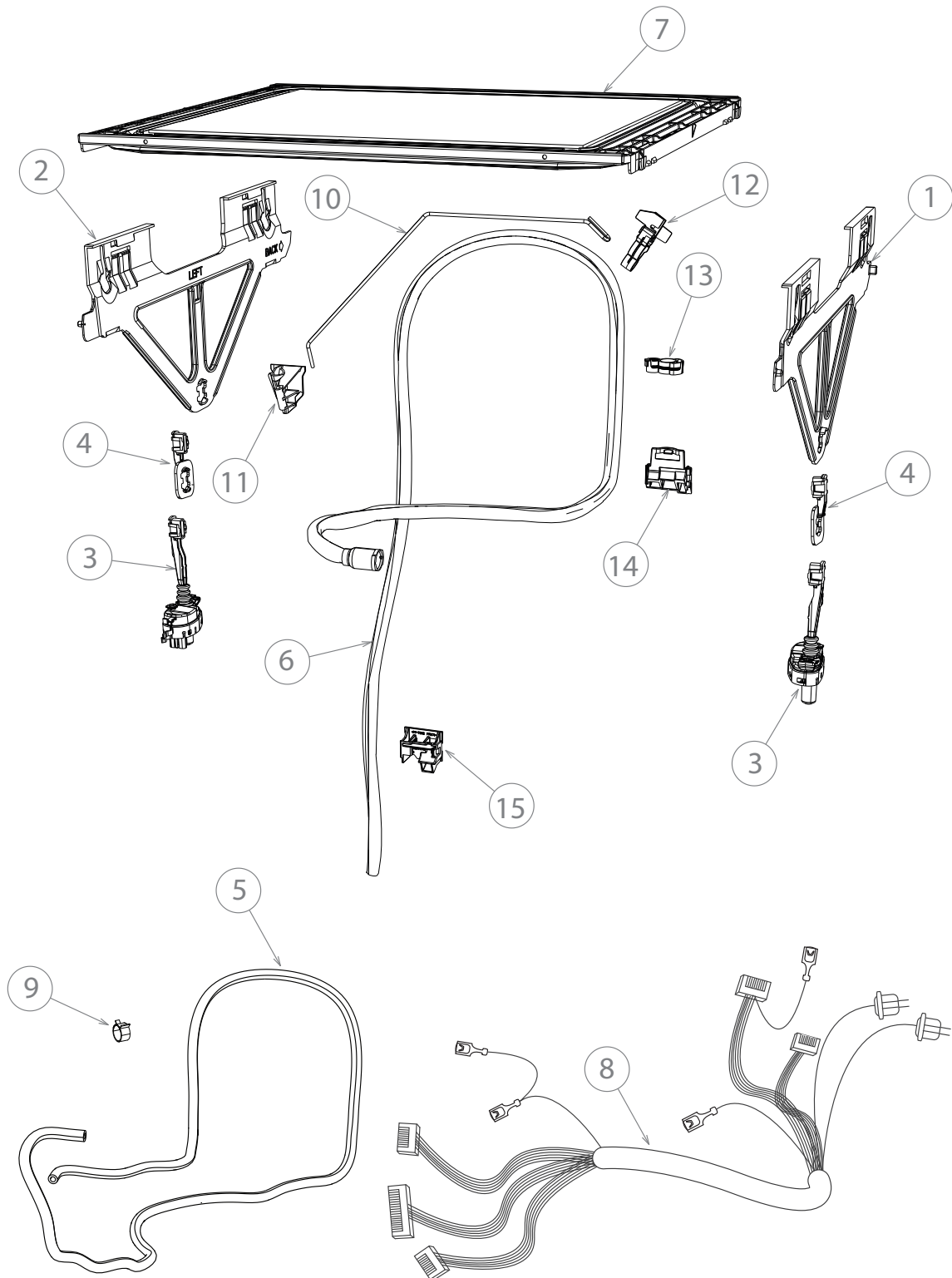
CABINET COMPONENTS



CABINET COMPONENTS

REFERENCE	PART NUMBER	PART DESCRIPTION
10	529730	VALVE INLET DOUBLE 605
11	524559	HOUSING CHASSIS MODULE DD608
12	524666	COVER CHASSIS MODULE 608
13	524492	FLEX MAINS US PH8
NI	532017	TERM STRIP SADDLE NIPL
NI	556607P	SCREW MC M5X10 TAPTITE (PKT 10)
14	525970	HOSE INLET WIRSBO US
15	524783	CLIP TUB RELEASE RH MID GREY
16	524782	CLIP TUB RELEASE LH MID GREY
17	522158	KIT FOOT TOOLS 605
	Includes	FOOT TOOL 605
	Includes	FOOT TOOL 45MM 605
NI	522443	INSULATION CHASSIS TOP TALL
NI	528819	INSULATION CHASSIS BOTTOM RH
NI	528820	INSULATION CHASSIS BOTTOM LH
18	524600	TERMINAL BLOCK OK501/3
19	524647	SHIELD TERMINAL BLOCK
20	524457	HARNESS AUX FLEX LINK US

LID & LINK COMPONENTS



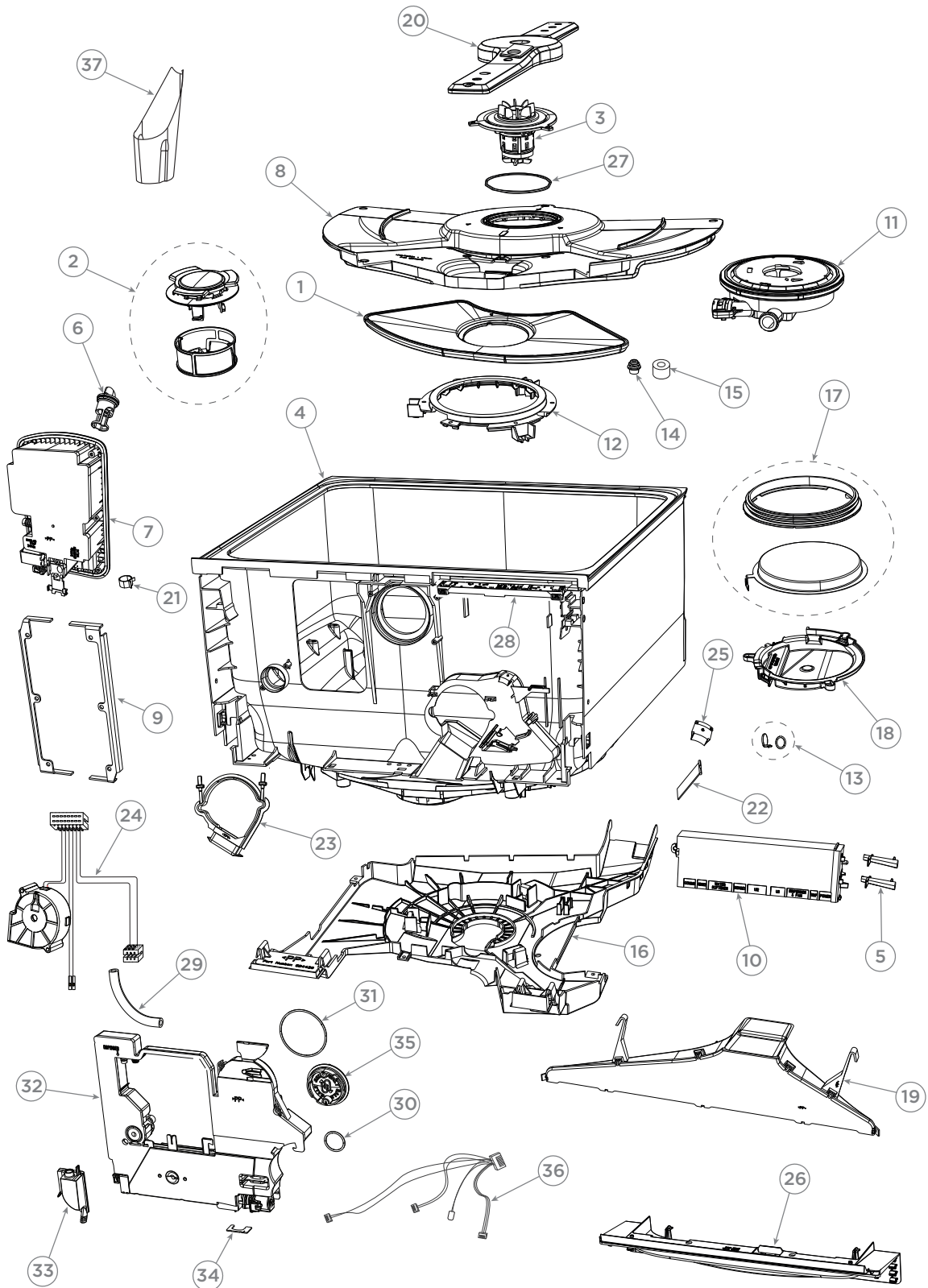
LID & LINK COMPONENTS

REFERENCE	PART NUMBER	PART DESCRIPTION
1	529969	LID YOKE RIGHT
2	529970	LID YOKE LEFT
3	522085	KIT LID ACTUATORS 605 (PKT 2)
4	522296P	KIT ADAPTOR LID YOKE TALL TUB (PKT 2)
5	510856	KIT DD FILL HOSE LOWER SPARE
	510855	KIT DD FILL HOSE UPPER SPARE
6	510852	KIT DD DRAIN HOSE SPARE
	Includes	O RING CUFF SOCKET UL REC
	Includes	HOSE DRAIN UPPER ASSY 605
	Includes	FLAP VALVE DRAIN 605
NI	525798	KIT DRAIN HOSE EXTENSION 3.6M
	Includes	DRAIN HOSE EXTENSION (2)
	Includes 525482	CLIP WIRE DRAIN (4)
	Includes	DRAIN HOSE JOINER (2)
NI	527394	KIT DRAIN HOSE JOINER
	Includes 525482	CLIP WIRE DRAIN (2)
	Includes	DRAIN HOSE JOINER
7	529964P	LID ASSY 605
8	510854	KIT DD HARNESS LOWER 608 SPARE
	510853	KIT DD HARNESS UPPER 608 SPARE
9	528674	CLAMP HOSE TYPE 12232-17-4
10	524497	ROD LINK SUPPORT 608
11	528101	BRACKET LINK SUPPORT
12	524541	CLIP LINK SUPPORT 608
13	524543	CLIP LINK CHASSIS SIDE
14	524522	CLIP LINK TUB RIB
15	524478	MOUNT LINK CHASSIS 608
16	524545	MOUNT LINK TOP 608

TUB COMPONENTS

REFERENCE	PART NUMBER	PART DESCRIPTION
1	524467	FP O MOULDED 608 TYPE 16
2	510921	KIT DRAIN/MICROFILTER ASYS 608
	Includes 510129	DRAIN FILTER ASSY 608
	Includes 510658	MICRO FILTER ASSY 608 TYPE 11
3	524922P	MOTOR ROTOR ASSY 608 (SP)
4	512353	TUB STD W/ASSY DD60H9 INT
	512355	TUB TALL W/ASSY DD60H9 INT
5	524569	3 DEGREE LIGHTPIPE PH8
6	524837	BUNG ASSY DISP R/AID MID GREY
7	524887	KIT DISPENSER MID GREY (SP)
	Includes	DISPENSER DISHDRWR MID GREY
	Includes 526789	BRACKET DISPENSER SHORT X 2
NI	556155P	SCREW M3.5X14 PANTX K35 (PKT 10)
8	524578	PUMP CAP ASSY 608
9	526789	BRACKET DISPENSER SHORT
10	513003P	KIT WASH CTRL P9 V2 US TW
NI	513063	HARNES ISOLATED RAIL TO EARTH
NI	556155P	SCREW M3.5X14 PANTX K35 (PKT 10)
11	510922	KIT MOTOR ASSY 608V
	Includes	MOTOR HOUSING ASSY VALUE
	Includes	MOTOR HOUSING SEAL
	Includes 525940	O RING CUFF SOCKET UL REC
	Includes 522178	O RING 208 DRAIN INLET
	Includes 529194	FLAP VALVE DRAIN 605
12	524536	MOTOR LOCKING RING
NI	556155P	SCREW M3.5X14 PANTX K35 (PKT 10)
13	522150	KIT FLAP VALVE/O RING 605 (PKT 2)
	Includes	FLAP VALVE DRAIN 605 (2)
	Includes	O RING CUFF SOCKET UL REC (2)
14	421169	GROMMET 4MM THERMISTOR
NI	510669	HARNES THERMISTOR LDY EPCOS
15	510572	SPACER THERMISTOR 608
16	524428	COVER TUB BASE 608
NI	556155P	SCREW M3.5X14 PANTX K35 (PKT 10)

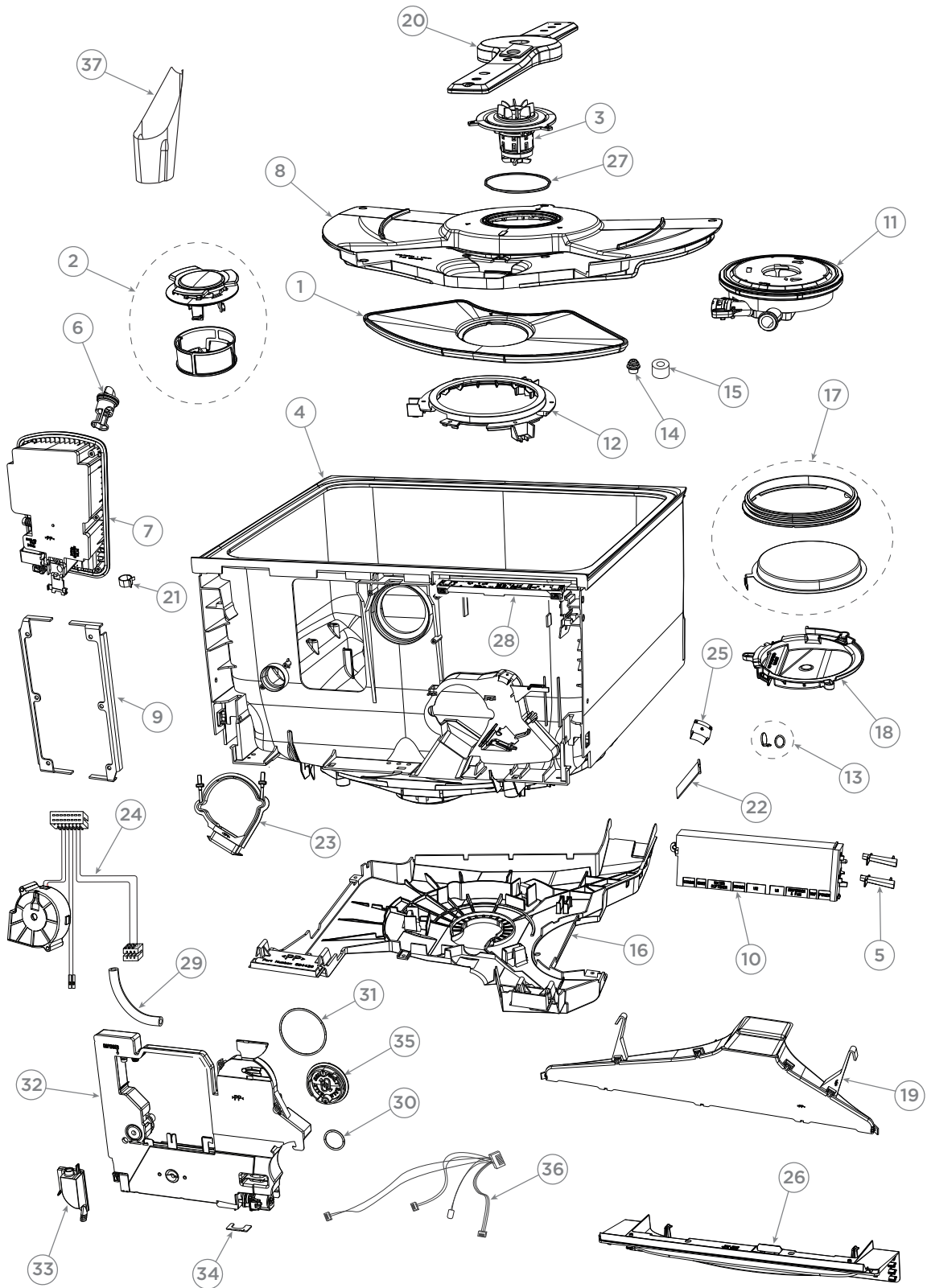
TUB COMPONENTS



TUB COMPONENTS

REFERENCE	PART NUMBER	PART DESCRIPTION
17	510924	KIT ELEMENT & SEAL 608 120V
	Includes	ELEMENT SEAL 608
	Includes	ELEMENT 608 KAWAI 120V
18	524537	ELEMENT COVER 608
19	522578	EXIT DUCT ASSY
20	524422	SPRAYARM VALUE ASSY
21	528674	CLAMP HOSE TYPE 12232-17-4
22	528063	FLAP VALVE FAN HOUSING 605
23	529039	ISOLATION DRYING FAN 605
24	524480	HARNESS RINSE/ID DRYFAN DET DIV
25	528064	RETAINER FLAP FAN HOUSING 605
26	510612	COWLING ASSY DD60D9 ADJ BLK
NI	511371P	KIT RIVET PUSH IN (PKT 2)
27	510727	O RING 152 SILICONE 40 608
28	512058P	MOD DISP FLANGE 525 P9 SP
NI	512773	HARNESS TUB DETECT LOOP P9 525
29	522404	HOSE FILL CO-EX SOFTENER
30	526718	O RING OVERFLOW SOFTENER
31	526717	O RING SALT TANK
32	524886	KIT WATER SOFTENER ASSY (SP) MID GREY
	Includes	WATER SOFTENER ASSY MID GREY
	Includes	DIVERTER VALVE SOFTENER ASSY
	Includes	BRINE PUMP ASSY
	Includes 526718	O RING OVERFLOW SOFTENER
	Includes 526717	O RING SALT TANK
	Includes 524842	BUNG SOFTENER ASSY MID GREY
	Includes 528606P	SALT SENSE SMD 525 PH3.5 ROHS
	Includes 556155	SCREW M3.5X14 PANTX WN1412KL35 (4)
	Includes 522765	STRAINER SOFTENER ASSY
	Includes	O RING STRAINER SOFTENER
	Includes	INSTRUCTION SHEET SOFTENER
	Includes	O RING STRAINER SOFTENER
	Includes	INSTRUCTION SHEET SOFTENER

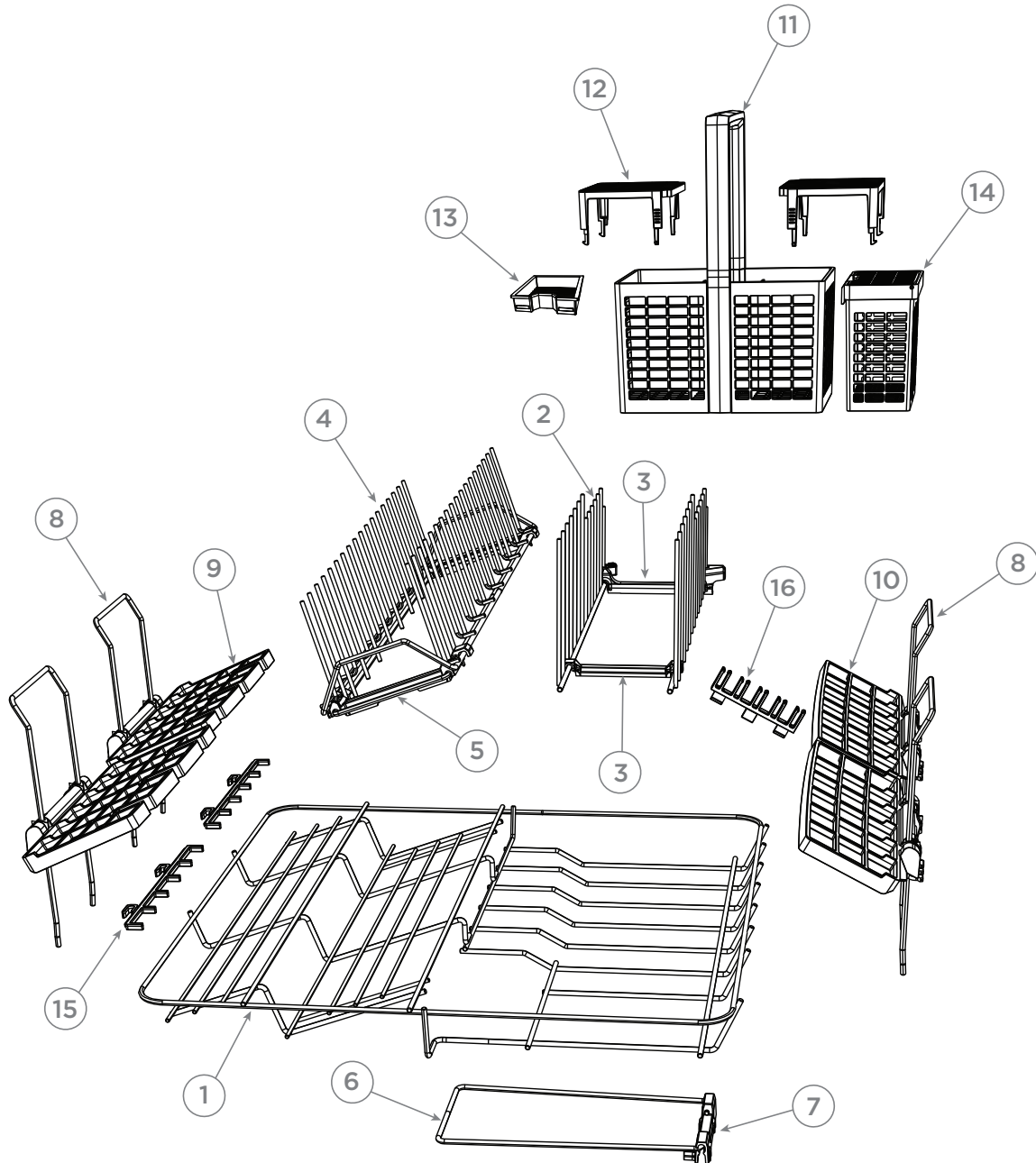
TUB COMPONENTS



TUB COMPONENTS

REFERENCE	PART NUMBER	PART DESCRIPTION
NI	556155P	SCREW M3.5X14 PANTX K35 (PKT 10)
33	522765	KIT STRAINER SOFTENER ASSY
	Includes	STRAINER SOFTENER ASSY
	Includes	INSTR SHT STRAINER SOFTENER
34	528606P	SALT SENS 525 P3.5 ROHS SVC
35	524842	BUNG SOFTENER ASSY MID GREY
36	529867	HARNESS WATERSOFTENER 605
37	526835	CONTAINER SALT FILLING

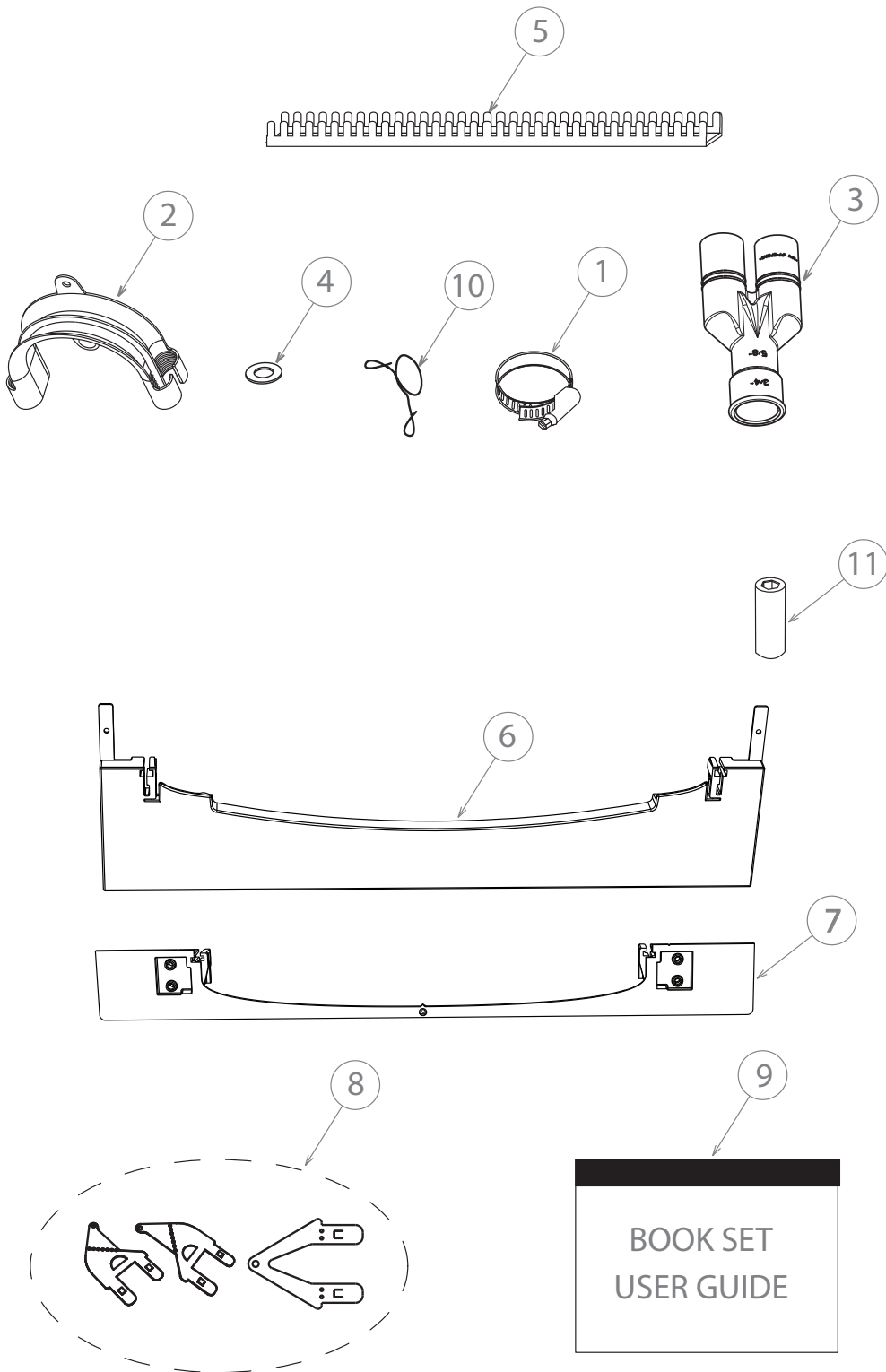
BASKET & RACK COMPONENTS



BASKET & RACK COMPONENTS

REFERENCE	PART NUMBER	PART DESCRIPTION
1	511860	RACK BASE ASSY DD60C PH9 CTD
2	523627	CROCK INSERT MP 7PS
	Includes	COMB LHS MP 7PS CTD
	Includes	COMB RHS MP 7PS CTD
	Includes	CLIP FRONT FOLDDOWN 94
	Includes	CLIP LOCKED FOLDDOWN
3	524146	KIT CLIP FRONT/BACK FD PH7
	Includes	CLIP LOCKED FOLDDOWN
	Includes	CLIP FNT FOLDDOWN 94
4	523649	CROCK INS PA 60 ASSY
	Includes	COMB PA FIXED 60 CTD
	Includes	COMB PA MOVING 60 CTD
	Includes	CLIP PA FRONT 60
	Includes	CLIP PA BACK 60
5	524147	KIT CLIP FRONT/BACK PA
	Includes	CLIP PA FRONT 60
	Includes	CLIP PA BACK 60
6	510076	WIRE TRAPDOOR 608 LOOP CTD
7	510026	CLIP TRAPDOOR 608
8	522682	WIRE SUPPORT CUP RACK TALL
	522683	WIRE SUPPORT CUP RACK STD
9	524179	RACK CUP LH DD60 100M ASSY
10	524180	RACK CUP RH DD60 80MM ASSY
11	523404	CUTLERY BASKET 60 ASSY
12	523488	ST INSERT C BASKET 60
13	523447	TABLET INSERT 60
14	522687	CONTAINER CUTLERY BASKET ASSY
15	522691P	SUPPORT GLASS CLIPON (PKT 2)
16	523326	DD KNIFE CLIP COMBINED

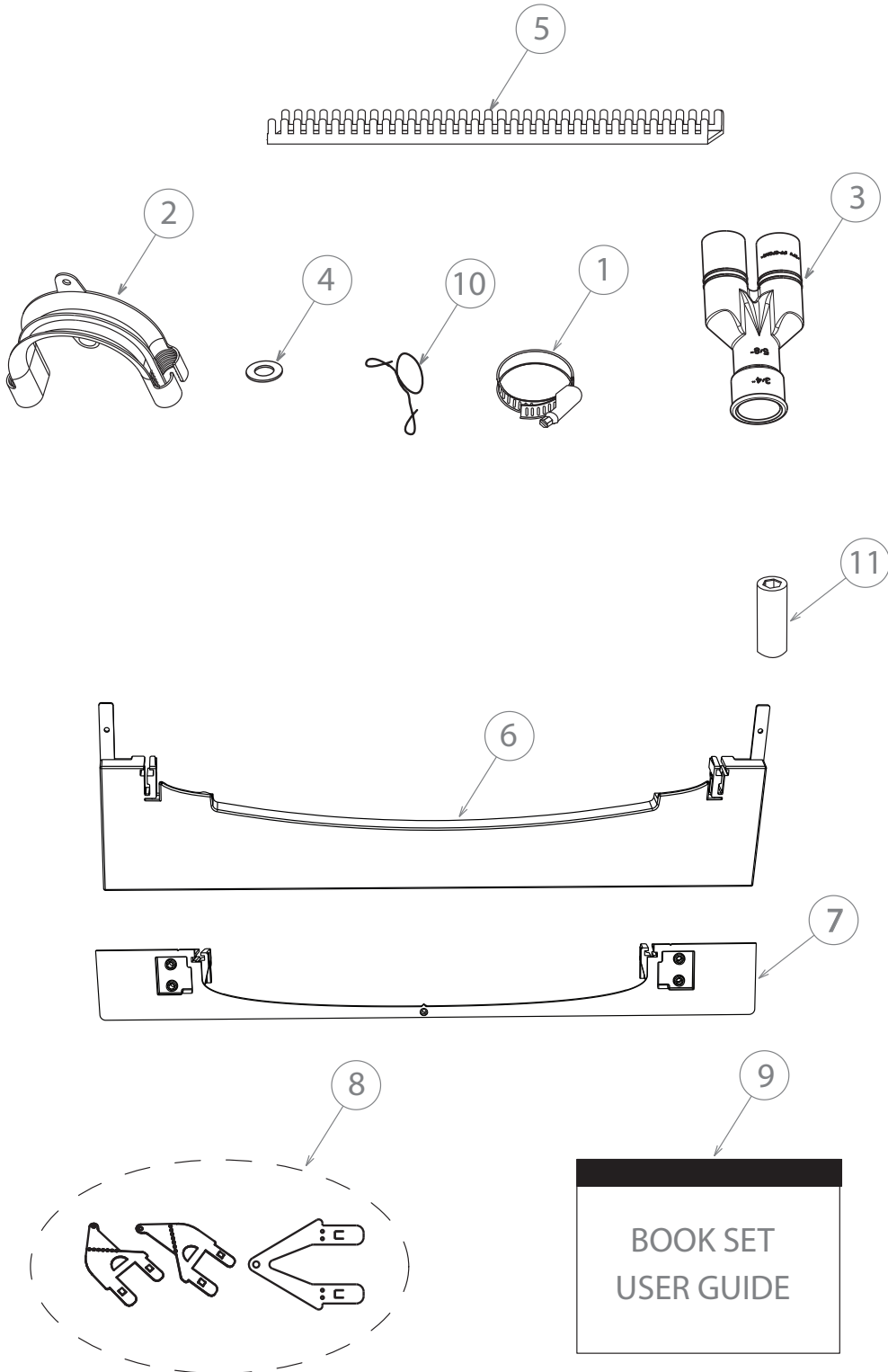
INSTALLATION COMPONENTS



INSTALLATION COMPONENTS

REFERENCE	PART NUMBER	PART DESCRIPTION
1	528690	CLAMP HOSE DIA 32-14
2	525477	SUPPORT DRAIN HOSE
3	529872	JOINER DRAIN HOSE DBL US
4	525938	WASHER WIRSBO US
5	525935	EDGE 160MM 22PKG020 UHMPWE US
6	512026	KIT KICKSTRIP DD60D9 C PNL BLK
7	512851	KIT KICKSTRIP INTEGRATED DD609
8	523007	KIT INSTALL TAB DISHDRAWER
	Includes	TAB TOP (2)
	Includes	INSTALL TAB TTA (2)
	Includes	INSTALL TAB TTB (2)
	Includes	SCREW WS 8X5/8TWINFST MTSPH ZP (6)
9	591389	BOOKSET DD24*I PH9 FP USCA
	Includes	Q/S DD60 PH9 INT FP AAGBUSCASG
	Includes	Q/S DD24 PH9 INT FP FR
	Includes	BK USER PH9 FP GLOBAL (EN)
	Includes	BOOK SERVICE & WARR'TY FP/EL
10	525482P	CLIP WIRE DRAIN (PKT 2)
11	522158	KIT FOOT TOOLS 605
	Includes	FOOT TOOL 605
	Includes	FOOT TOOL 45MM 605
NI	522995	KIT INSTALL DBL/SGL PH5/PH6
	Includes 525477	SUPPORT DRAIN HOSE
	Includes 525482	CLIP WIRE DRAIN (2)
	Includes 525067	DRAIN SPIGOT CONNECTOR DOUBLE
	Includes 525460	DRAIN SPIGOT CONNECTOR SINGLE
	Includes 528690	CLAMP HOSE DIA 32-14
	Includes	SCREW WS 8X5/8 TWIN FAST (7)
	Includes 526797	TAB TOP (2)
	Includes	FOOT TOOL 605
	Includes	FOOT TOOL 45MM 605
	Includes	INSTALL TAB TTA (2)

INSTALLATION COMPONENTS



INSTALLATION COMPONENTS

REFERENCE	PART NUMBER	PART DESCRIPTION
	Includes	INSTALL TAB TTB (2)
	Includes	CORNER PLUG TRIM DDTALL (4)
	Includes 527208	TAPE UNDERBENCH CONDENSATION
NI	527208	TAPE UNDERBENCH CONDENSATION
NI	591429	BKST INSTAL DD24 I PH9 FP USCA
	Includes	BK INSTAL DD24 I PH9 FP USCA
	Includes	BK INSTAL DD24 I PH9 FP CA (FR)

FISHERPAYKEL.COM

© Fisher & Paykel Appliances Ltd 2017. All rights reserved.

The product specifications in this booklet apply to the specific products and models described at the date of issue. Under our policy of continuous product improvement, these specifications may change at any time. You should therefore check with your Dealer to ensure this booklet correctly describes the product currently available.

US CA

PRODUCT CODE: 81216-A 09.17