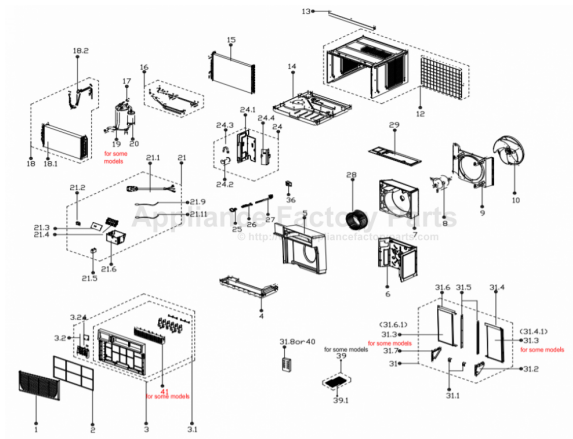


This Owner's Manual is provided and hosted by [Appliance Factory Parts](http://ApplianceFactoryParts.com).



COMFORT-AIRE RADS-253Q Owner's Manual

[Shop genuine replacement parts for COMFORT-AIRE
RADS-253Q](#)



[Find Your COMFORT-AIRE Air Conditioner Parts - Select From 599 Models](#)

----- Manual continues below -----

Comfort-Aire®

Century®

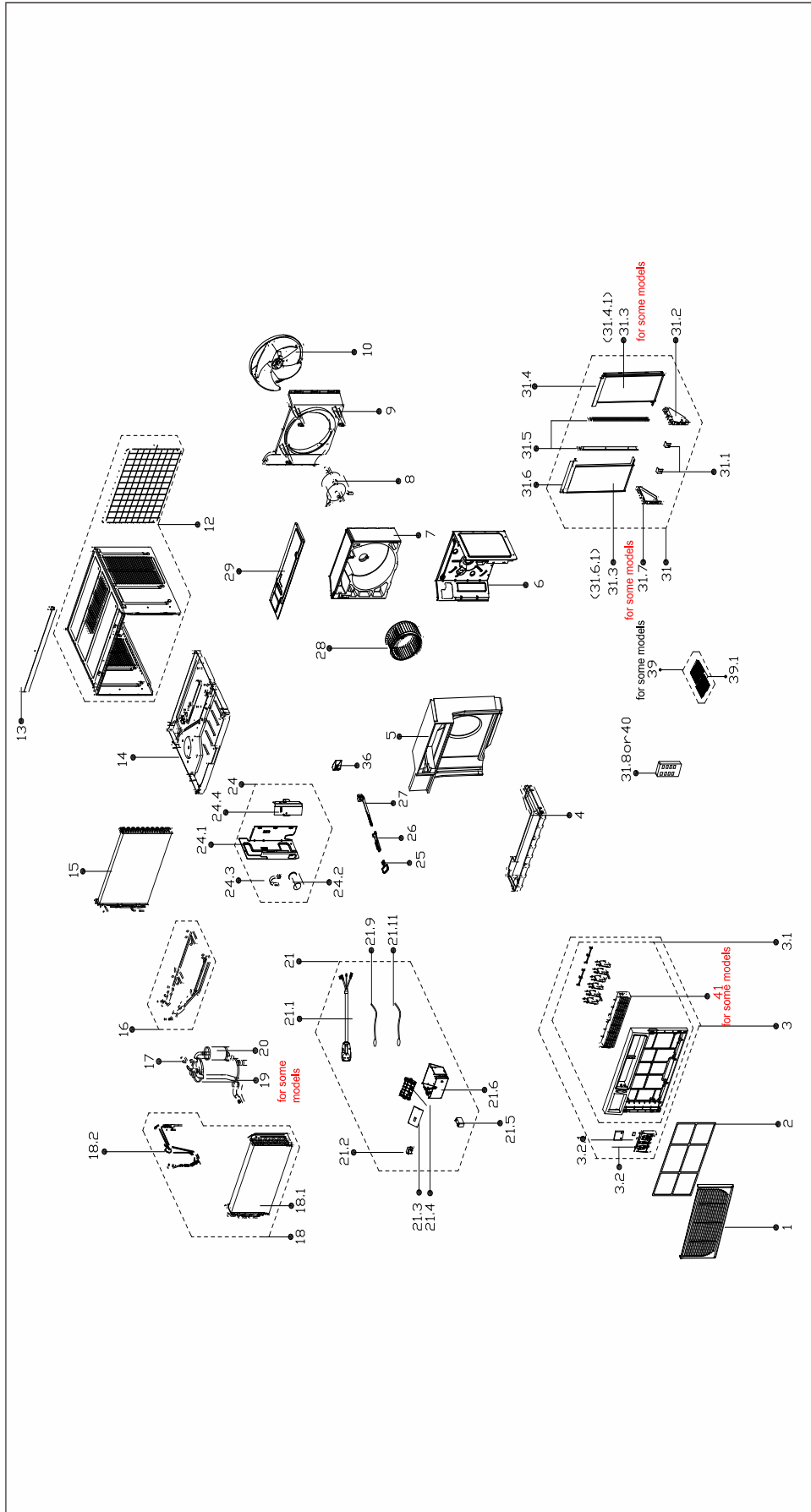
MARS®
Delivering Confidence

REPLACEMENT PARTS LIST

Room Air Conditioner

RADS-253Q

EXPLODED VIEW



REPLACEMENT PARTS

Location	Part Name	Quantity	Part No.
1	Panel	1	12120300A22034
2	Air filter	1	12120300005607
3	Panel frame assembly	1	12120300A24666
3.1	Panel frame assembly	1	12120300A22043
3.2	Display box subassembly	1	17220300A17671
3.2.1	Display board subassembly	1	17120300000852
4	water butt dish foam	1	12820300000699
5	Foam, air outlet	1	12820300000135
6	Front barrier board	1	12220300000573
7	Rear volute shell	1	12820300000043
8	Single phase asynchronous motor	1	11002012004746
9	Rear barrier board subassembly	1	12120300005383
10	Axial flow fan	1	12100105000076
12	Cabinet assembly	1	12220300004019
13	Top shutter frame subassembly	1	12220300003801
14	Chassis assembly	1	12220300004478
15	Condenser Assembly	1	15820300000746
16	Cooling coil assembly	1	15120300001135
17	Discharge pipe	1	15120300000891
18	Evaporator assembly	1	15820300003262
18.1	Evaporator	1	15820300003243
18.2	Capillary subassembly	1	15120300006442
20	Fixed speed rotary compressor	1	11103010019435
21	Electronic control box subassembly	1	17220300004770
21.1	Power cord subassembly	1	17401202000107
21.2	Linear Transformer	1	11203103001313
21.3	Main control board subassembly	1	17120300004510
21.4	Bracket of main control board	1	12120300003724
21.5	Capacitor of fan motor	1	17400101000126
21.6	Electronic control box	1	12220300004558
21.9	Room Temperature Sensor	1	11201007003440
21.11	Pipe Temperature Sensor	1	11201007003445
24	Front left barrier board subassembly	1	12220300004480
24.1	Front left barrier board subassembly	1	12220300001115
24.2	Capacitor of compressor	1	17400103000033
24.3	Capacitor clip	1	12200203000029
24.4	Electronic heater box	1	12220300000459
25	Connecting rod of fresh air door	1	12120300004605
26	Bracket of fresh air door	1	12120300005379
27	Connecting rod of fresh air door	1	12120300004304

Location	Part Name	Quantity	Part No.
28	Centrifuge fan	1	12100103000010
29	Front cover	1	12220300000523
31	Installation accessory	1	12020300000707
31.1	Installation Located Block	2	12220300000536
31.2	Right bracket	1	12220300003600
31.4	Window accordian subassembly	1	12120300004647
31.5	Connecting bar of cabinet	2	12120300004786
31.6	Window accordian subassembly	1	12120300004650
31.7	Left bracket	1	12220300003599
36	Bracket of fresh air door	1	12120300005367
40	Remote controller	1	17317000A59734

Due to ongoing product improvements, specifications and dimensions are subject to change and correction without notice or incurring obligations. Determining the application and suitability for use of any product is the responsibility of the installer. Additionally, the installer is responsible for verifying dimensional data on the actual product prior to beginning any installation preparations.

Incentive and rebate programs have precise requirements as to product performance and certification. All products meet applicable regulations in effect on date of manufacture; however, certifications are not necessarily granted for the life of a product. Therefore, it is the responsibility of the applicant to determine whether a specific model qualifies for these incentive/rebate programs.



1900 Wellworth Ave., Jackson, MI 49203 • Ph. 517-787-2100 • www.marsdelivers.com

