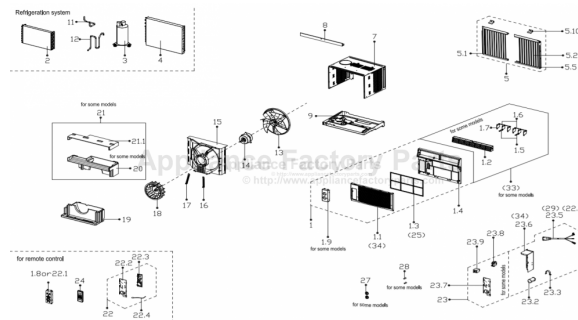


This Owner's Manual is provided and hosted by [Appliance Factory Parts](http://www.ApplianceFactoryParts.com).



COMFORT-AIRE RADS-81Q Owner's Manual

[Shop genuine replacement parts for COMFORT-AIRE
RADS-81Q](#)



[Find Your COMFORT-AIRE Air Conditioner Parts - Select From 599 Models](#)

----- Manual continues below -----

Comfort-Aire®

Century®

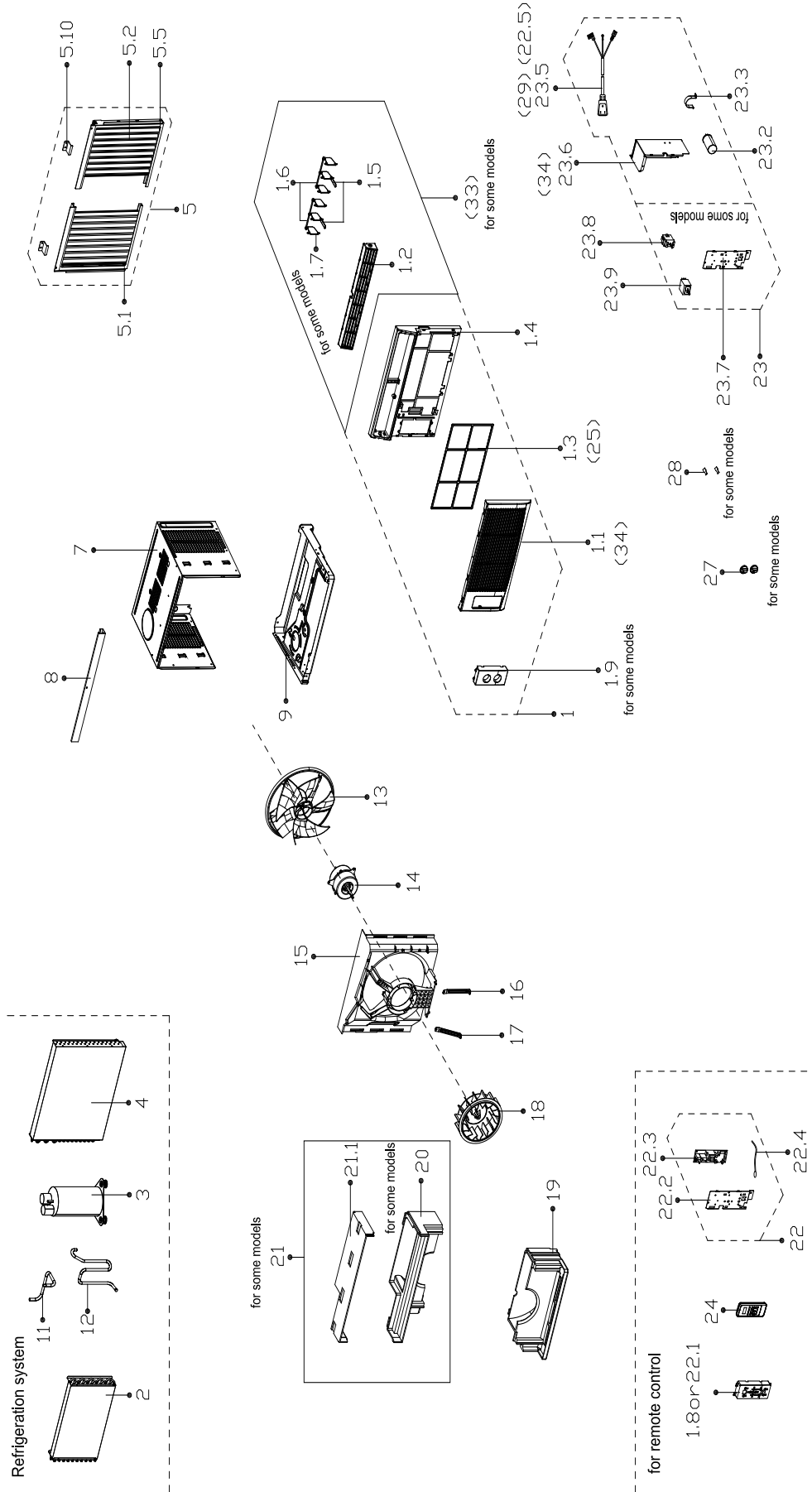
MARS®
Delivering Confidence

REPLACEMENT PARTS LIST

Room Air Conditioner

RADS-81Q

EXPLODED VIEW



REPLACEMENT PARTS

Location	Part Name	Quantity	Part No.
1	Front panel assembly	1	12120300A22116
1.1	Panel	1	12120300A21749
1.2	Air outlet assembly	1	12120300A21747
1.3	Air filter	1	12100204A00158
1.4	Panel frame assembly	1	12120300A21746
1.8	Display box subassembly	1	17220300A15410
2	Evaporator assembly	1	15820300002762
3	Fixed speed rotary compressor	1	11103010015893
4	Condenser Assembly	1	15820300002764
5	Installation accessory	1	12020300000387
5.1	Left shutter frame	1	P0000001278395
5.2	Shutter	1	P0000001548236
5.2	Shutter	1	P0000001548265
5.5	Right shutter frame	1	P0000001278400
5.10	Clamp of Shutter	2	12220300000877
5.10	Clamp of Shutter	2	12220300000878
7	Cabinet assembly	1	12220300003504
8	Top shutter frame subassembly	1	12220300003506
9	Chassis assembly	1	12220300003508
11	Suction pipe assembly	1	15120300005762
12	Discharge pipe assembly	1	15120300005771
13	Axial flow fan	1	12100105000087
14	Single phase asynchronous motor	1	11002012032473
15	Rear barrier board subassembly	1	12120300004410
16	Motor bracket boarding	1	12220300000454
17	Motor bracket boarding	1	12220300000455
18	Centrifugal Fan	1	12100103000086
19	Volute shell subassembly(above)	1	12820300000561
21	Volute shell subassembly(above)	1	12820300000562
21.1	Volute shell subassembly(above)	1	12820300000562
22	Electronic control box subassembly	1	17220300003671
22.2	Cover of electronic control box	1	12220300000492
22.3	Main control board subassembly	1	17120300003509
22.4	Room temperature sensor	1	11201007003446
22.5	Power cord subassembly	1	17401202000156
23	Electronic control box assembly	1	17220300003670
23.2	Capacitor of compressor	1	17400104000765
23.3	Fix clamp	1	12200203000798
24	Remote controller	1	17317000A01189
34	Electronic control box subassembly	1	12220300003507

Due to ongoing product improvements, specifications and dimensions are subject to change and correction without notice or incurring obligations. Determining the application and suitability for use of any product is the responsibility of the installer. Additionally, the installer is responsible for verifying dimensional data on the actual product prior to beginning any installation preparations.

Incentive and rebate programs have precise requirements as to product performance and certification. All products meet applicable regulations in effect on date of manufacture; however, certifications are not necessarily granted for the life of a product. Therefore, it is the responsibility of the applicant to determine whether a specific model qualifies for these incentive/rebate programs.



1900 Wellworth Ave., Jackson, MI 49203 • Ph. 517-787-2100 • www.marsdelivers.com

