

This Owner's Manual is provided and hosted by [Appliance Factory Parts](#).



# FISHER & PAYKEL DD24DI9N Owner's Manual

[Shop genuine replacement parts for FISHER & PAYKEL  
DD24DI9N](#)



[Find Your FISHER & PAYKEL Dishwasher Parts - Select From 34 Models](#)

----- Manual continues below -----

**FISHER & PAYKEL**

**DISHDRAWER™ DISHWASHER**

---

**DD24DI9 N FP US CA**

**PRODUCT CODE: 81218-A**

**PARTS MANUAL**

**US CA**

# INTRODUCTION

---

BRAND	VOLTAGE	MODEL	PRODUCT CODE
Fisher & Paykel	120VAC 60Hz	DD24DI9 N FP US CA	81218-A

---

## MODELS

The models covered by this manual are listed on the front cover. The information detailed in this manual is subject to change without notice. The latest version is indicated by the reprint date and replaces any earlier editions.

## KIT PARTS

Where a part number is shown against the descriptions for kit components, they are also available as separate items. In addition, some parts may be supplied with these kits that are not available as separate items, and are therefore either not listed, or a part number is not shown against the part description in this manual.

## PARTS LIST KEY

NI	As a part reference, indicates the part is not illustrated on the diagram.
NOT USED	As a part number, indicates the diagram part reference is not used in this manual.
NS	As a part number, indicates the part is not servicable.

---

## US

Fisher & Paykel Appliances Inc.  
695 Town Center Drive, Suite 180  
Costa Mesa.  
CA 92626-1902  
USA

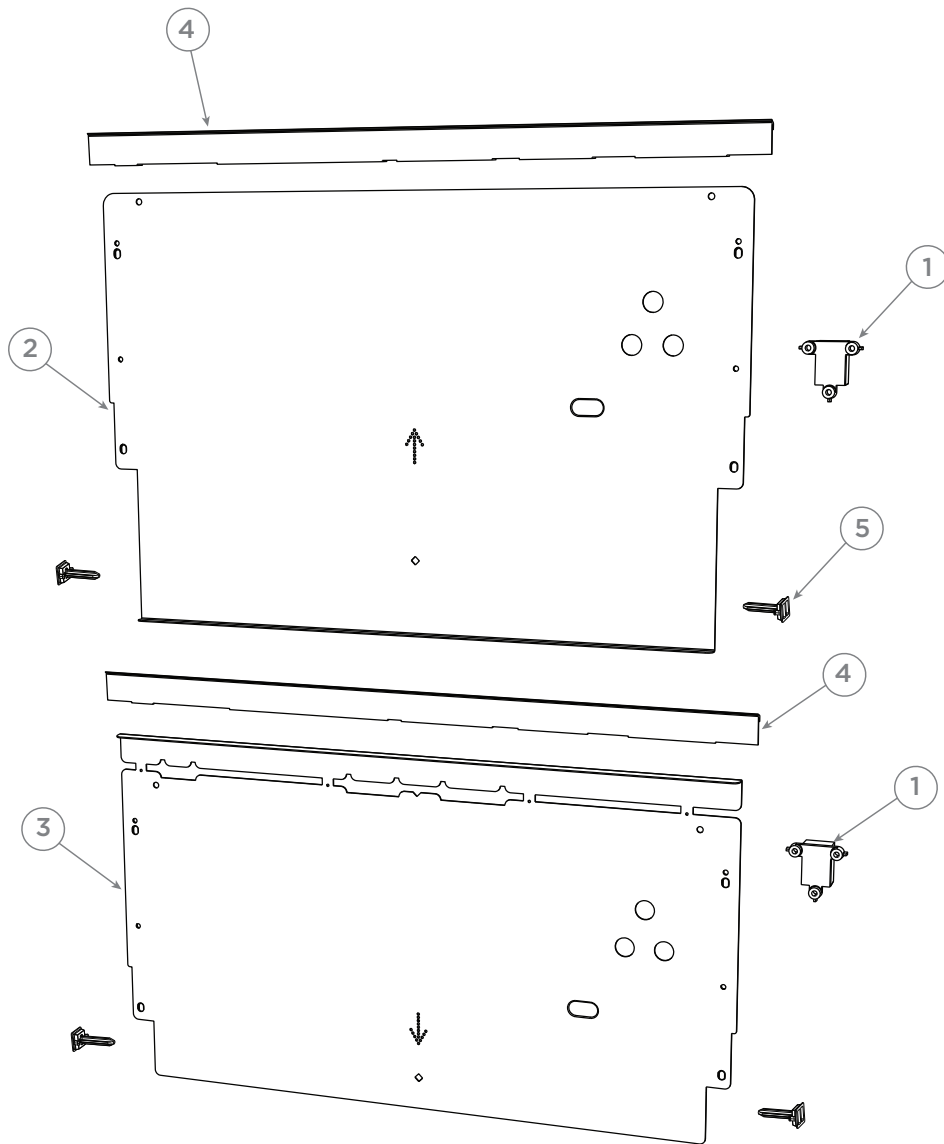
Customer Care: 1-888-936-7872  
Fax: (714) 372-7003  
email: [customer.care@fisherpaykel.com](mailto:customer.care@fisherpaykel.com)

# CONTENTS

---

Introduction	1
Front panels/controls	3
Cabinet components	5
Lid & link components	9
Tub components	11
Basket & rack components	15
Installation components	17

# FRONT PANELS/CONTROLS

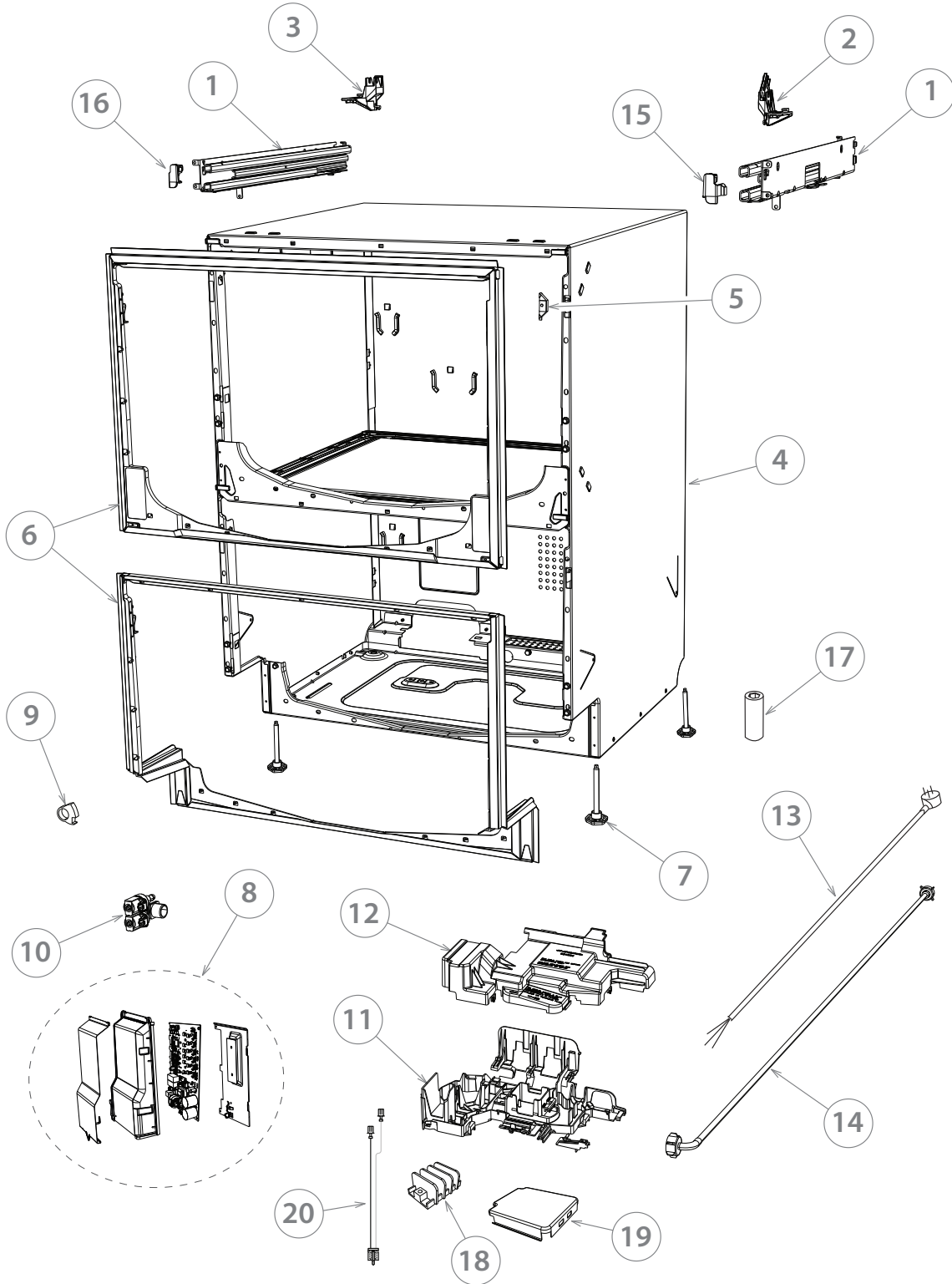


## FRONT PANELS/CONTROLS

---

REFERENCE	PART NUMBER	PART DESCRIPTION
1	512054	MOD KNOCK SENSOR 525 P9
2	512842	KIT SHIELD INT UPR DD609
3	512844	KIT SHIELD INT LWR DD609
4	532491	SEAL DOOR DD609 DES INT
5	524885	PIN DOOR SQUARE

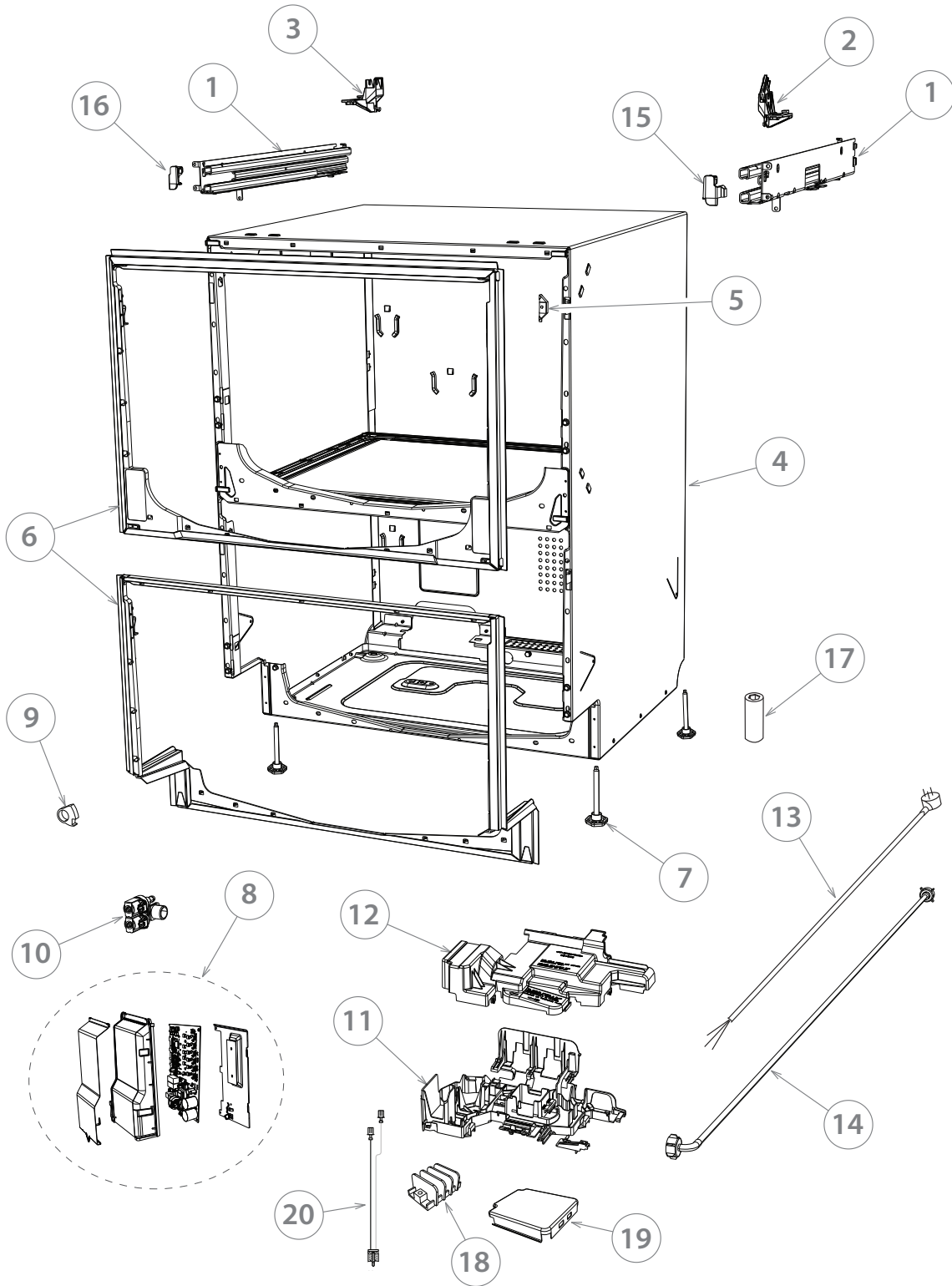
# CABINET COMPONENTS



## CABINET COMPONENTS

REFERENCE	PART NUMBER	PART DESCRIPTION
<b>1</b>	<b>524116P</b>	<b>KIT BRACKET SLIDE RH &amp; LH ASSY</b>
	Includes	BRACKET SLIDE RH ASSY X 1
	Includes	BRACKET SLIDE LH ASSY X 1
	Includes 556607	SCREW MC M5X10 TAPTITE X 6
	Includes	INSTR SHT SLIDE BRACKET SPARE KIT
<b>NI</b>	<b>556607P</b>	<b>SCREW MC M5X10 TAPTITE (PKT 10)</b>
<b>2</b>	<b>522584</b>	<b>LATCH ASSY RH DD 606</b>
<b>3</b>	<b>522585</b>	<b>LATCH ASSY LH DD 606</b>
<b>4</b>	<b>510878</b>	<b>KIT REPLACE CHASSIS DD60DA8</b>
	Includes 525968	MOUNT LINK TOP
	Includes	CHASSIS DOUBLE ASSY GALV
	Includes	SHT INSTR REPLACE CHASSIS PH8
	Includes	TAB TOP (2)
	Includes	INSTALL TAB TTA
	Includes	INSTALL TAB TTB
	Includes	TRIM UPPER COMOULD ASSY
	Includes	TRIM LOWER COMOULD ASSY
	Includes 524568	3 DEGREE PRISM (2)
	Includes 528941	FOOT (4)
<b>5</b>	<b>524568</b>	<b>3 DEGREE PRISM</b>
<b>6</b>	<b>523397</b>	<b>KIT TRIMSEAL DD60D</b>
	Includes	TRIM UPPER COMOULD ASSY
	Includes	TRIM LOWER COMOULD ASSY
	Includes 524568	3 DEGREE PRISM (2)
<b>7</b>	<b>528941</b>	<b>FOOT</b>
<b>8</b>	<b>510688P</b>	<b>KIT MC 525 PH8 120V DBL SP</b>
	Includes	MOD MC 525 PH8 DD60 120V
	Includes	COVER MC COMOULD DD608
	Includes	SHIELD MC DD608
	Includes	HEATSINK MC DD608
<b>9</b>	<b>525466</b>	<b>CLAMP HOSE HERBIE TYPE E</b>
<b>10</b>	<b>529730</b>	<b>VALVE INLET DOUBLE 605</b>
<b>11</b>	<b>524559</b>	<b>HOUSING CHASSIS MODULE DD608</b>

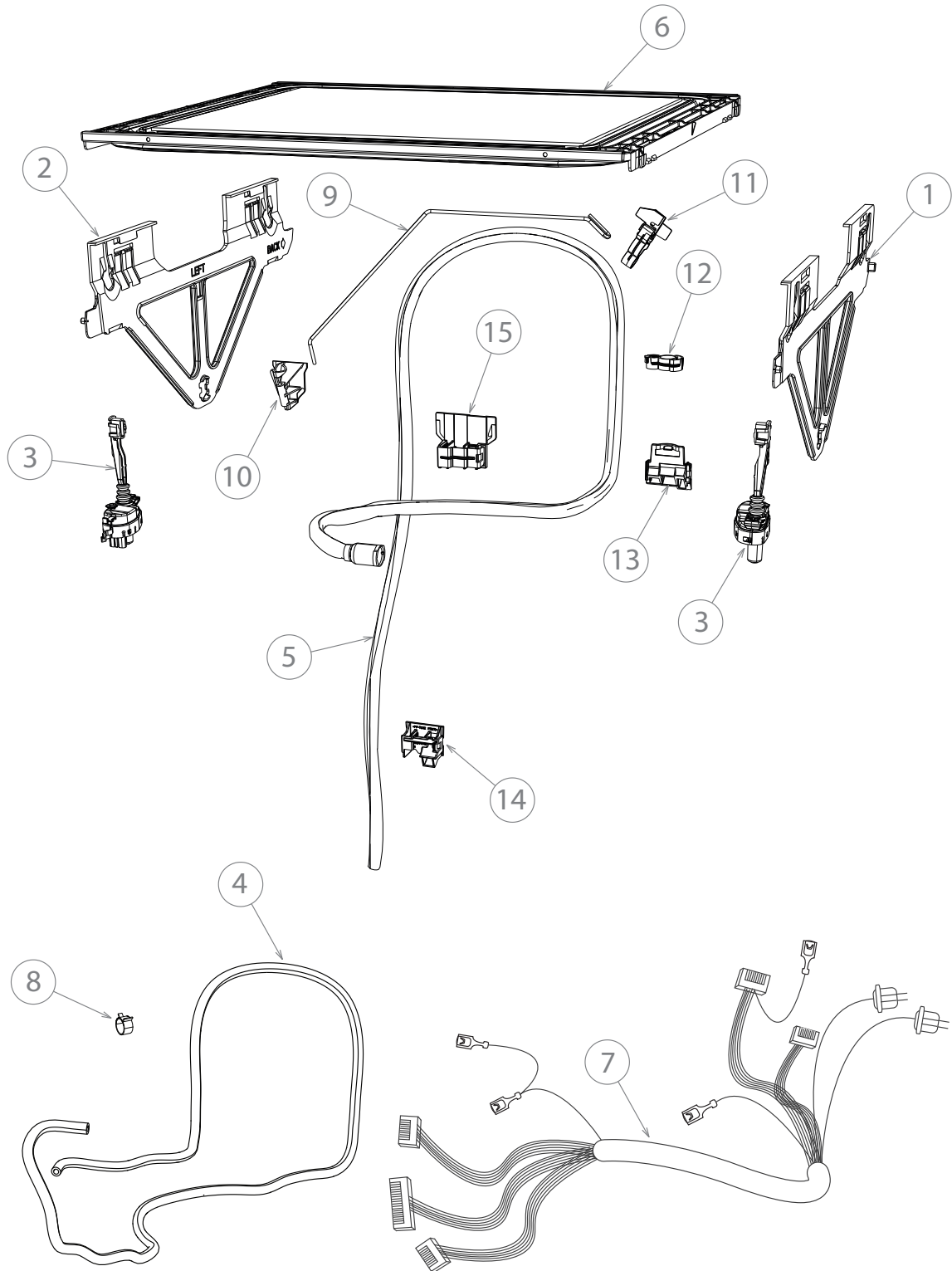
# CABINET COMPONENTS



## CABINET COMPONENTS

REFERENCE	PART NUMBER	PART DESCRIPTION
<b>12</b>	<b>524666</b>	COVER CHASSIS MODULE 608
<b>13</b>	<b>524492</b>	FLEX MAINS US PH8
<b>NI</b>	<b>532017</b>	TERM STRIP SADDLE NIPL
<b>NI</b>	<b>556607P</b>	SCREW MC M5X10 TAPTITE (PKT 10)
<b>14</b>	<b>525970</b>	HOSE INLET WIRSBO US
<b>15</b>	<b>524783</b>	CLIP TUB RELEASE RH MID GREY
<b>16</b>	<b>524782</b>	CLIP TUB RELEASE LH MID GREY
<b>17</b>	<b>522158</b>	KIT FOOT TOOLS 605
	Includes	FOOT TOOL 605
	Includes	FOOT TOOL 45MM 605
<b>NI</b>	<b>528821</b>	INSULATION CHASSIS TOP
<b>NI</b>	<b>528819</b>	INSULATION CHASSIS BOTTOM RH
<b>NI</b>	<b>528820</b>	INSULATION CHASSIS BOTTOM LH
<b>18</b>	<b>524600</b>	TERMINAL BLOCK OK501/3
<b>19</b>	<b>524647</b>	SHIELD TERMINAL BLOCK
<b>20</b>	<b>524457</b>	HARNESS AUX FLEX LINK US

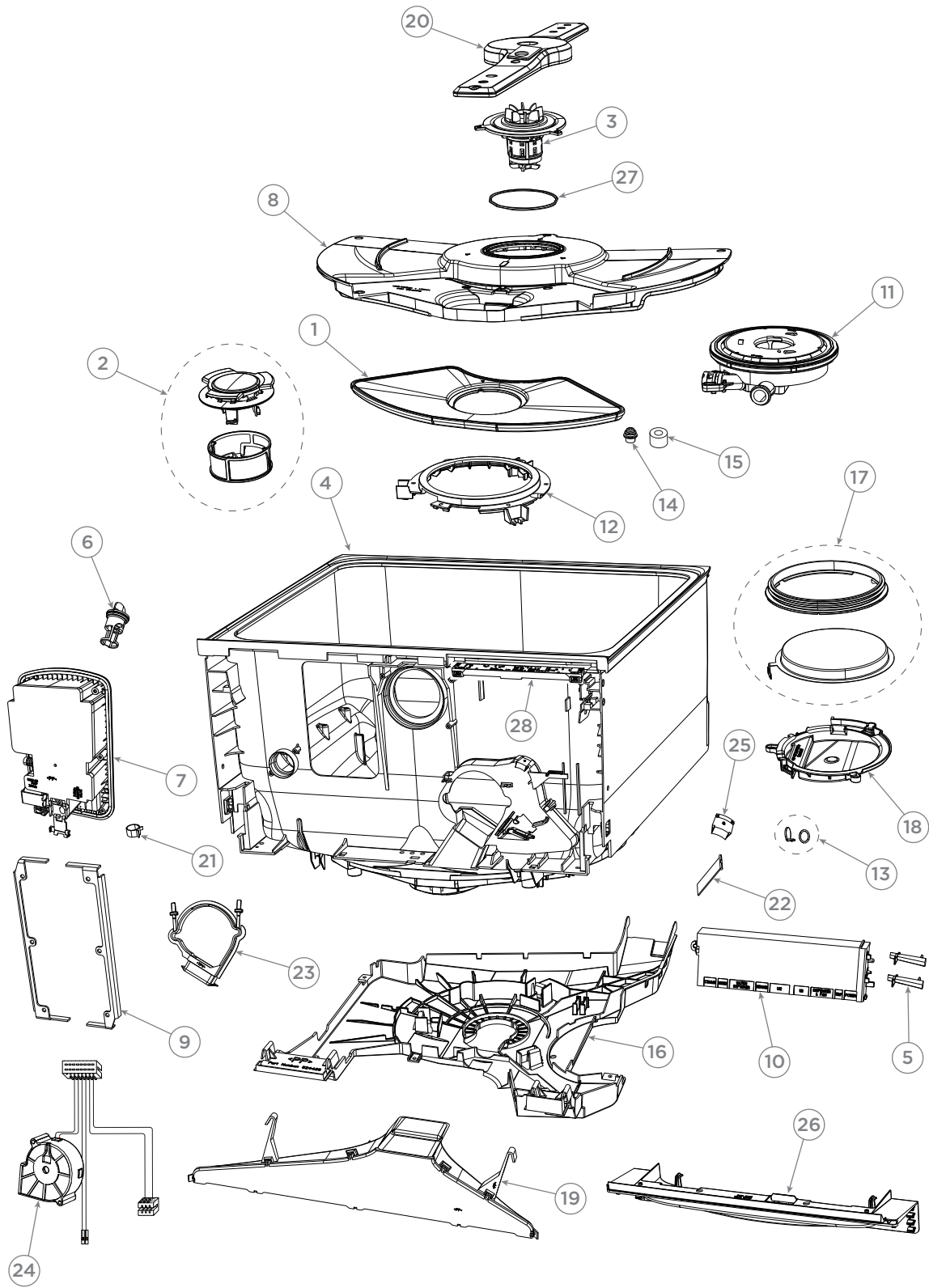
# LID & LINK COMPONENTS



## LID & LINK COMPONENTS

REFERENCE	PART NUMBER	PART DESCRIPTION
<b>1</b>	<b>529969</b>	LID YOKE RIGHT
<b>2</b>	<b>529970</b>	LID YOKE LEFT
<b>3</b>	<b>522085</b>	KIT LID ACTUATORS 605 (PKT 2)
<b>4</b>	<b>510856</b>	KIT DD FILL HOSE LOWER SPARE
	<b>510855</b>	KIT DD FILL HOSE UPPER SPARE
<b>5</b>	<b>510852</b>	KIT DD DRAIN HOSE SPARE
	Includes	O RING CUFF SOCKET UL REC
	Includes	HOSE DRAIN UPPER ASSY 605
	Includes	FLAP VALVE DRAIN 605
<b>NI</b>	<b>525798</b>	KIT DRAIN HOSE EXTENSION 3.6M
	Includes	DRAIN HOSE EXTENSION (2)
	Includes 525482	CLIP WIRE DRAIN (4)
	Includes	DRAIN HOSE JOINER (2)
<b>NI</b>	<b>527394</b>	KIT DRAIN HOSE JOINER
	Includes 525482	CLIP WIRE DRAIN (2)
	Includes	DRAIN HOSE JOINER
<b>6</b>	<b>529964P</b>	LID ASSY 605
<b>7</b>	<b>510854</b>	KIT DD HARNESS LOWER 608 SPARE
	<b>510853</b>	KIT DD HARNESS UPPER 608 SPARE
<b>8</b>	<b>528674</b>	CLAMP HOSE TYPE 12232-17-4
<b>9</b>	<b>524497</b>	ROD LINK SUPPORT 608
<b>10</b>	<b>528101</b>	BRACKET LINK SUPPORT
<b>11</b>	<b>524541</b>	CLIP LINK SUPPORT 608
<b>12</b>	<b>524543</b>	CLIP LINK CHASSIS SIDE
<b>13</b>	<b>524522</b>	CLIP LINK TUB RIB
<b>14</b>	<b>524478</b>	MOUNT LINK CHASSIS 608
<b>15</b>	<b>524545</b>	MOUNT LINK TOP 608

# TUB COMPONENTS



## TUB COMPONENTS

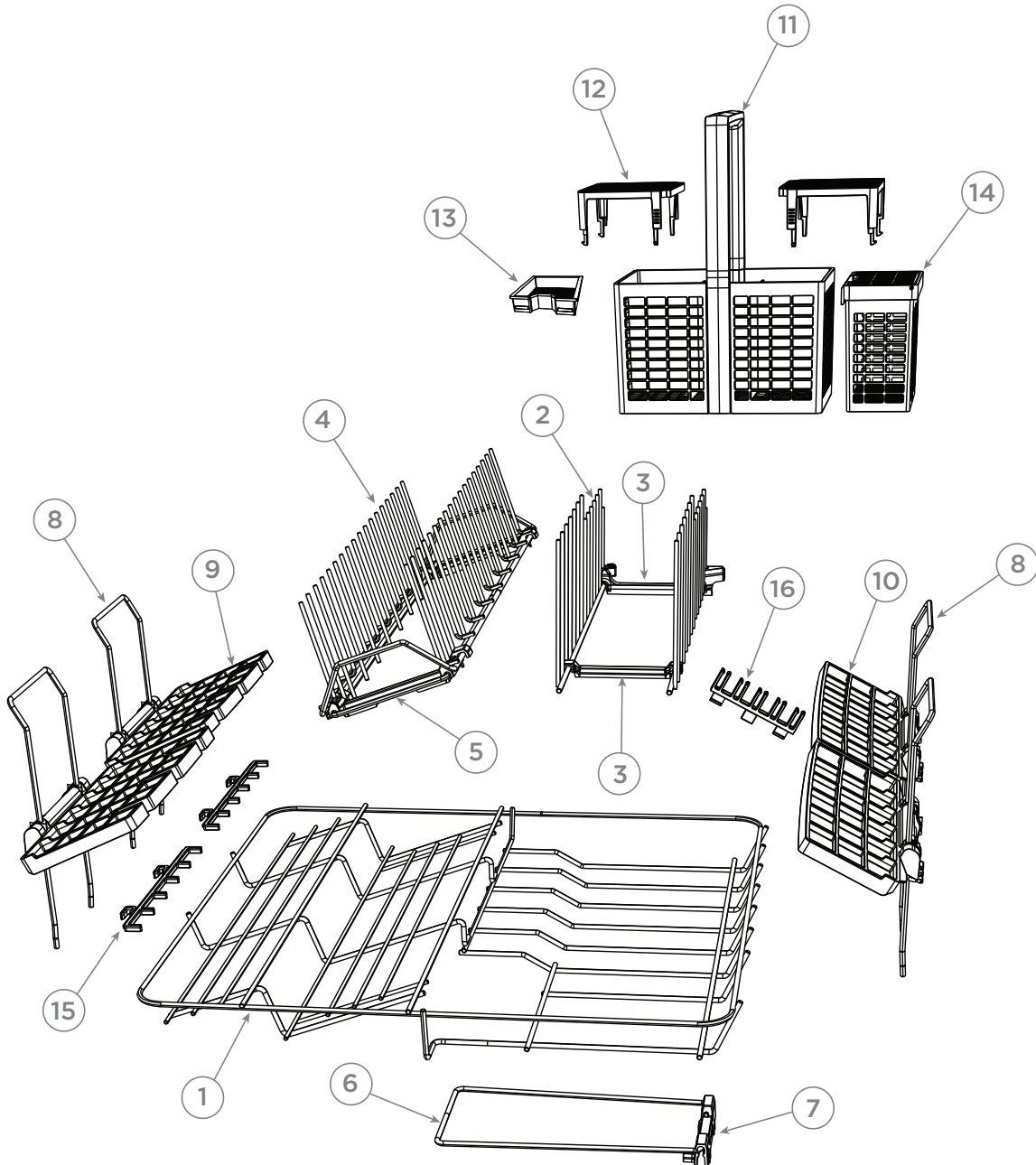
REFERENCE	PART NUMBER	PART DESCRIPTION
<b>1</b>	<b>524467</b>	<b>FP O MOULDED 608 TYPE 16</b>
<b>2</b>	<b>510921</b>	<b>KIT DRAIN/MICROFILTER ASYS 608</b>
	Includes 510129	DRAIN FILTER ASSY 608
	Includes 510658	MICRO FILTER ASSY 608 TYPE 11
<b>3</b>	<b>524922P</b>	<b>MOTOR ROTOR ASSY 608 (SP)</b>
<b>4</b>	<b>512352</b>	<b>TUB STD W/ASSY DD609 INT</b>
<b>5</b>	<b>524569</b>	<b>3 DEGREE LIGHTPIPE PH8</b>
<b>6</b>	<b>524837</b>	<b>BUNG ASSY DISP R/AID MID GREY</b>
<b>7</b>	<b>524887</b>	<b>KIT DISPENSER MID GREY (SP)</b>
	Includes	DISPENSER DISHDRWR MID GREY
	Includes 526789	BRACKET DISPENSER SHORT X 2
<b>NI</b>	<b>556155P</b>	<b>SCREW M3.5X14 PANTX K35 (PKT 10)</b>
<b>8</b>	<b>524578</b>	<b>PUMP CAP ASSY 608</b>
<b>9</b>	<b>526789</b>	<b>BRACKET DISPENSER SHORT</b>
<b>10</b>	<b>513003P</b>	<b>KIT WASH CTRL P9 V2 US TW</b>
<b>NI</b>	<b>513063</b>	<b>HARNES ISOLATED RAIL TO EARTH</b>
<b>NI</b>	<b>556155P</b>	<b>SCREW M3.5X14 PANTX K35 (PKT 10)</b>
<b>11</b>	<b>510922</b>	<b>KIT MOTOR ASSY 608V</b>
	Includes	MOTOR HOUSING ASSY VALUE
	Includes	MOTOR HOUSING SEAL
	Includes 525940	O RING CUFF SOCKET UL REC
	Includes 522178	O RING 208 DRAIN INLET
	Includes 529194	FLAP VALVE DRAIN 605
<b>12</b>	<b>524536</b>	<b>MOTOR LOCKING RING</b>
<b>NI</b>	<b>556155P</b>	<b>SCREW M3.5X14 PANTX K35 (PKT 10)</b>
<b>13</b>	<b>522150</b>	<b>KIT FLAP VALVE/O RING 605 (PKT 2)</b>
	Includes	FLAP VALVE DRAIN 605 (2)
	Includes	O RING CUFF SOCKET UL REC (2)
<b>14</b>	<b>421169</b>	<b>GROMMET 4MM THERMISTOR</b>
<b>NI</b>	<b>510669</b>	<b>HARNES THERMISTOR LDY EPCOS</b>
<b>15</b>	<b>510572</b>	<b>SPACER THERMISTOR 608</b>
<b>16</b>	<b>524428</b>	<b>COVER TUB BASE 608</b>
<b>NI</b>	<b>556155P</b>	<b>SCREW M3.5X14 PANTX K35 (PKT 10)</b>



## TUB COMPONENTS

REFERENCE	PART NUMBER	PART DESCRIPTION
<b>17</b>	<b>510924</b>	<b>KIT ELEMENT &amp; SEAL 608 120V</b>
	Includes	ELEMENT SEAL 608
	Includes	ELEMENT 608 KAWAI 120V
<b>18</b>	<b>524537</b>	<b>ELEMENT COVER 608</b>
<b>19</b>	<b>522578</b>	<b>EXIT DUCT ASSY</b>
<b>20</b>	<b>524422</b>	<b>SPRAYARM VALUE ASSY</b>
<b>21</b>	<b>528674</b>	<b>CLAMP HOSE TYPE 12232-17-4</b>
<b>22</b>	<b>528063</b>	<b>FLAP VALVE FAN HOUSING 605</b>
<b>23</b>	<b>529039</b>	<b>ISOLATION DRYING FAN 605</b>
<b>24</b>	<b>524480</b>	<b>HARNESS RINSE AID DRYFAN DET DIV</b>
<b>25</b>	<b>528064</b>	<b>RETAINER FLAP FAN HOUSING 605</b>
<b>26</b>	<b>510612</b>	<b>COWLING ASSY DD60D9 ADJ BLK</b>
<b>NI</b>	<b>511371P</b>	<b>KIT RIVET PUSH IN (PKT 2)</b>
<b>27</b>	<b>510727</b>	<b>O RING 152 SILICONE 40 608</b>
<b>28</b>	<b>512058P</b>	<b>MOD DISP FLANGE 525 P9 SP</b>
<b>NI</b>	<b>512773</b>	<b>HARNESS TUB DETECT LOOP P9 525</b>

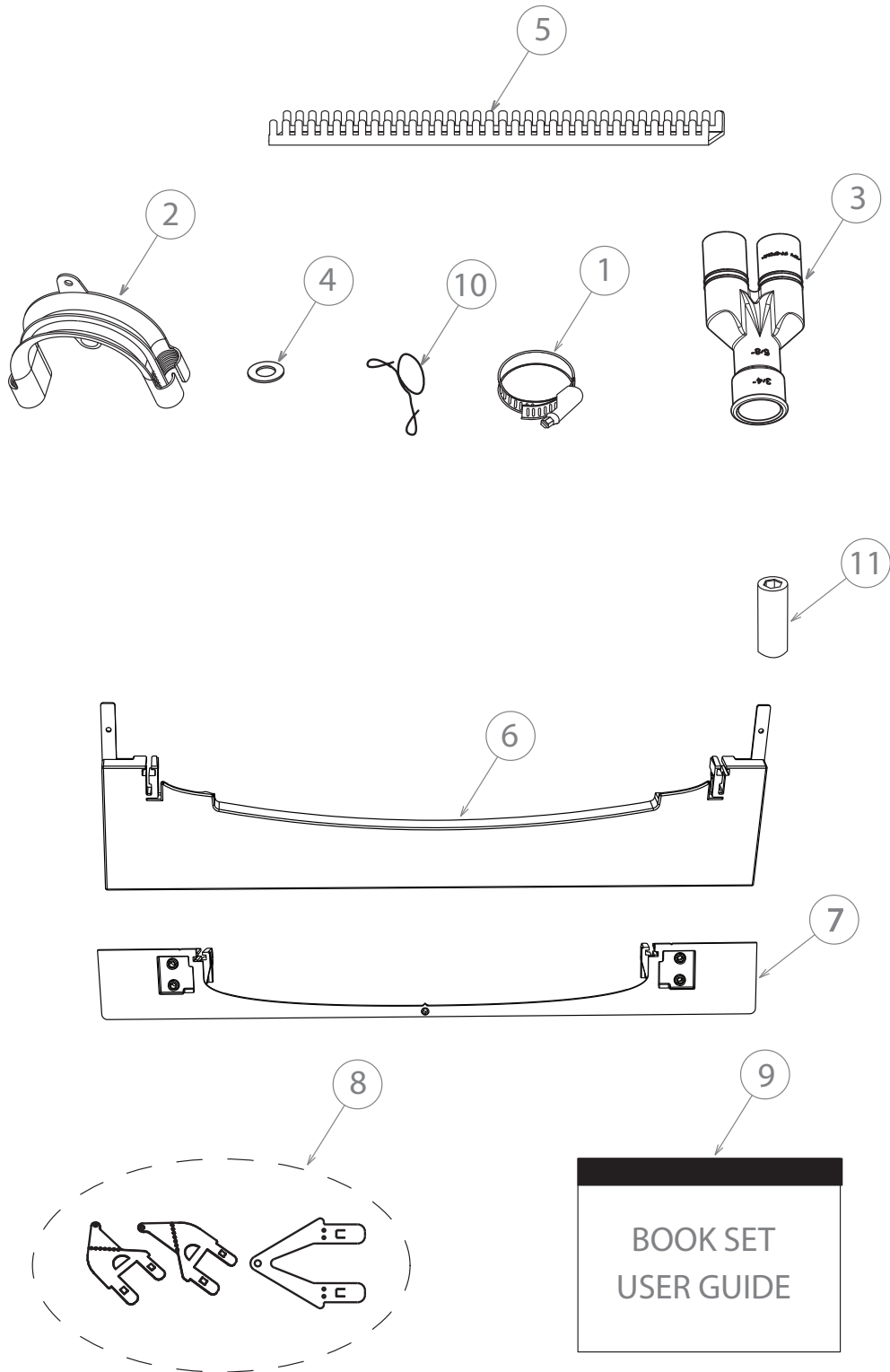
# BASKET & RACK COMPONENTS



## BASKET & RACK COMPONENTS

REFERENCE	PART NUMBER	PART DESCRIPTION
<b>1</b>	<b>511860</b>	<b>RACK BASE ASSY DD60C PH9 CTD</b>
<b>2</b>	<b>523627</b>	<b>CROCK INSERT MP 7PS</b>
	Includes	COMB LHS MP 7PS CTD
	Includes	COMB RHS MP 7PS CTD
	Includes	CLIP FRONT FOLDDOWN 94
	Includes	CLIP LOCKED FOLDDOWN
<b>3</b>	<b>524146</b>	<b>KIT CLIP FRONT/BACK FD PH7</b>
	Includes	CLIP LOCKED FOLDDOWN
	Includes	CLIP FNT FOLDDOWN 94
<b>4</b>	<b>523649</b>	<b>CROCK INS PA 60 ASSY</b>
	Includes	COMB PA FIXED 60 CTD
	Includes	COMB PA MOVING 60 CTD
	Includes	CLIP PA FRONT 60
	Includes	CLIP PA BACK 60
<b>5</b>	<b>524147</b>	<b>KIT CLIP FRONT/BACK PA</b>
	Includes	CLIP PA FRONT 60
	Includes	CLIP PA BACK 60
<b>6</b>	<b>510076</b>	<b>WIRE TRAPDOOR 608 LOOP CTD</b>
<b>7</b>	<b>510026</b>	<b>CLIP TRAPDOOR 608</b>
<b>8</b>	<b>522683</b>	<b>WIRE SUPPORT CUP RACK STD</b>
<b>9</b>	<b>524179</b>	<b>RACK CUP LH DD60 100M ASSY</b>
<b>10</b>	<b>524180</b>	<b>RACK CUP RH DD60 80MM ASSY</b>
<b>11</b>	<b>523404</b>	<b>CUTLERY BASKET 60 ASSY</b>
<b>12</b>	<b>523488</b>	<b>ST INSERT C BASKET 60</b>
<b>13</b>	<b>523447</b>	<b>TABLET INSERT 60</b>
<b>14</b>	<b>522687</b>	<b>CONTAINER CUTLERY BASKET ASSY</b>
<b>15</b>	<b>522691P</b>	<b>SUPPORT GLASS CLIPON (PKT 2)</b>
<b>16</b>	<b>523326</b>	<b>DD KNIFE CLIP COMBINED</b>

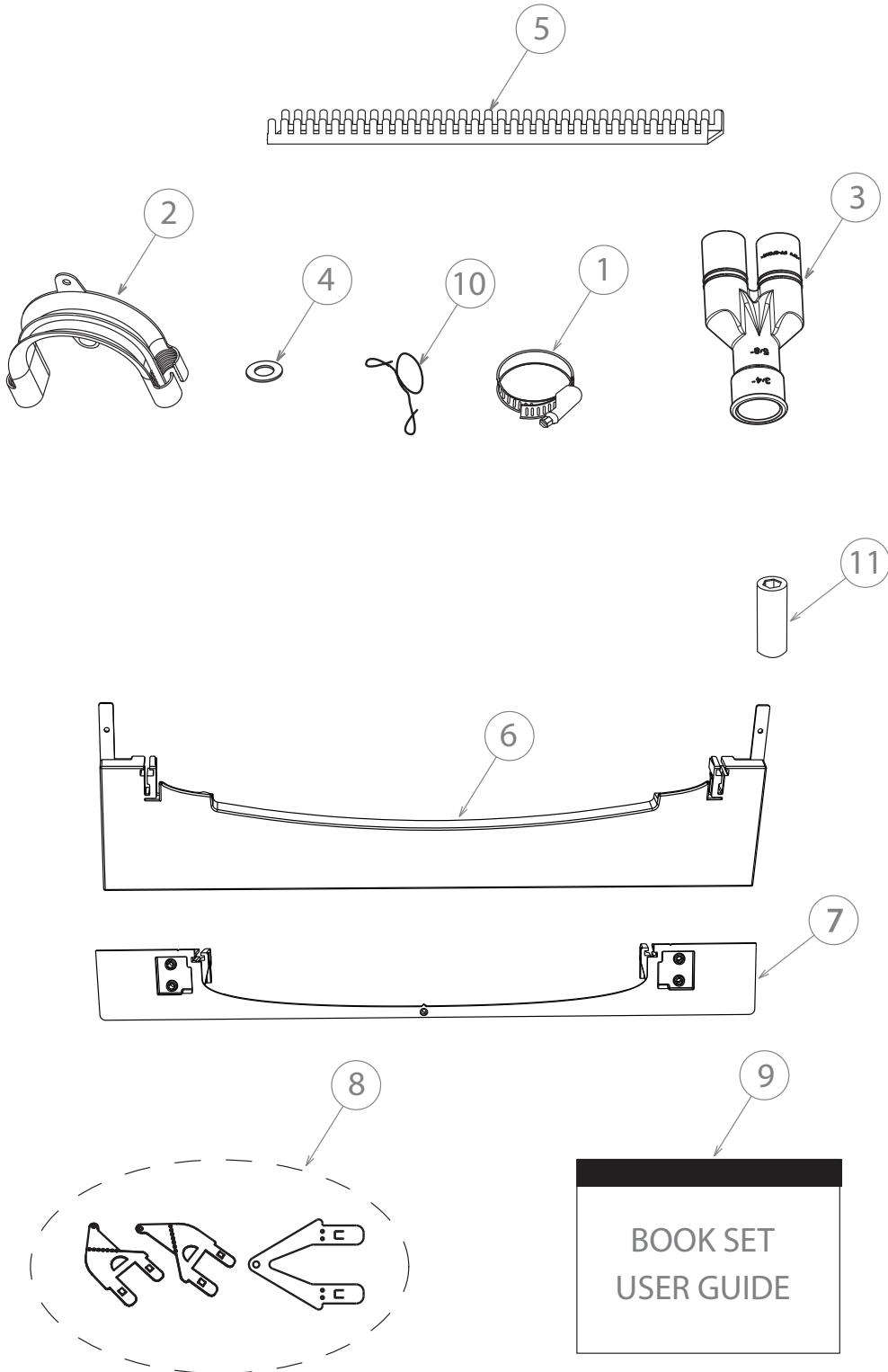
# INSTALLATION COMPONENTS



## INSTALLATION COMPONENTS

REFERENCE	PART NUMBER	PART DESCRIPTION
<b>1</b>	<b>528690</b>	<b>CLAMP HOSE DIA 32-14</b>
<b>2</b>	<b>525477</b>	<b>SUPPORT DRAIN HOSE</b>
<b>3</b>	<b>529872</b>	<b>JOINER DRAIN HOSE DBL US</b>
<b>4</b>	<b>525938</b>	<b>WASHER WIRSBO US</b>
<b>5</b>	<b>525935</b>	<b>EDGE 160MM 22PKG020 UHMPWE US</b>
<b>6</b>	<b>512026</b>	<b>KIT KICKSTRIP DD60D9 C PNL BLK</b>
<b>7</b>	<b>512851</b>	<b>KIT KICKSTRIP INTEGRATED DD609</b>
<b>8</b>	<b>523007</b>	<b>KIT INSTALL TAB DISHDRAWER</b>
	Includes	TAB TOP (2)
	Includes	INSTALL TAB TTA (2)
	Includes	INSTALL TAB TTB (2)
	Includes	SCREW WS 8X5/8TWINFST MTSPH ZP (6)
<b>9</b>	<b>591389</b>	<b>BOOKSET DD60 I PH9 FP USCA</b>
	Includes	Q/S DD PH9 INT FP AAGBUSCASG
	Includes	Q/S DD PH9 INT FP FR
	Includes	BK USER PH9 FP GLOBAL (EN)
	Includes	BOOK SERVICE & WARR'TY FP/EL
<b>10</b>	<b>525482P</b>	<b>CLIP WIRE DRAIN (PKT 2)</b>
<b>11</b>	<b>522158</b>	<b>KIT FOOT TOOLS 605</b>
	Includes	FOOT TOOL 605
	Includes	FOOT TOOL 45MM 605
<b>NI</b>	<b>522995</b>	<b>KIT INSTALL DBL/SGL PH5/PH6</b>
	Includes 525477	SUPPORT DRAIN HOSE
	Includes 525482	CLIP WIRE DRAIN (2)
	Includes 525067	DRAIN SPIGOT CONNECTOR DOUBLE
	Includes 525460	DRAIN SPIGOT CONNECTOR SINGLE
	Includes 528690	CLAMP HOSE DIA 32-14
	Includes	SCREW WS 8X5/8 TWIN FAST (7)
	Includes 526797	TAB TOP (2)
	Includes	FOOT TOOL 605
	Includes	FOOT TOOL 45MM 605
	Includes	INSTALL TAB TTA (2)

# INSTALLATION COMPONENTS



## INSTALLATION COMPONENTS

REFERENCE	PART NUMBER	PART DESCRIPTION
	Includes	INSTALL TAB TTB (2)
	Includes	CORNER PLUG TRIM DDTALL (4)
	Includes 527208	TAPE UNDERBENCH CONDENSATION
<b>NI</b>	<b>527208</b>	<b>TAPE UNDERBENCH CONDENSATION</b>
<b>NI</b>	<b>591429</b>	<b>BKST INSTAL DD24*I PH9 FP USCA</b>
	Includes	BK INSTAL DD24 I PH9 FP USCA
	Includes	BK INSTAL DD24 I PH9 FP CA (FR)

**FISHERPAYKEL.COM**

© Fisher & Paykel Appliances Ltd 2017. All rights reserved.

The product specifications in this booklet apply to the specific products and models described at the date of issue. Under our policy of continuous product improvement, these specifications may change at any time. You should therefore check with your Dealer to ensure this booklet correctly describes the product currently available.

**US CA**

**PRODUCT CODE: 81218-A 09.17**