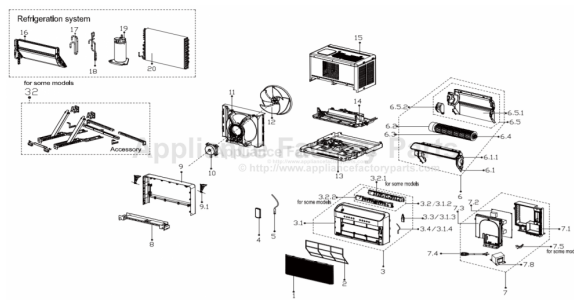


This Owner's Manual is provided and hosted by [Appliance Factory Parts](http://www.appliancefactoryparts.com).



COMFORT-AIRE RXTS-81A Owner's Manual

[Shop genuine replacement parts for COMFORT-AIRE
RXTS-81A](#)



[Find Your COMFORT-AIRE Air Conditioner Parts - Select From 599 Models](#)

----- Manual continues below -----

Comfort-Aire®

Century®

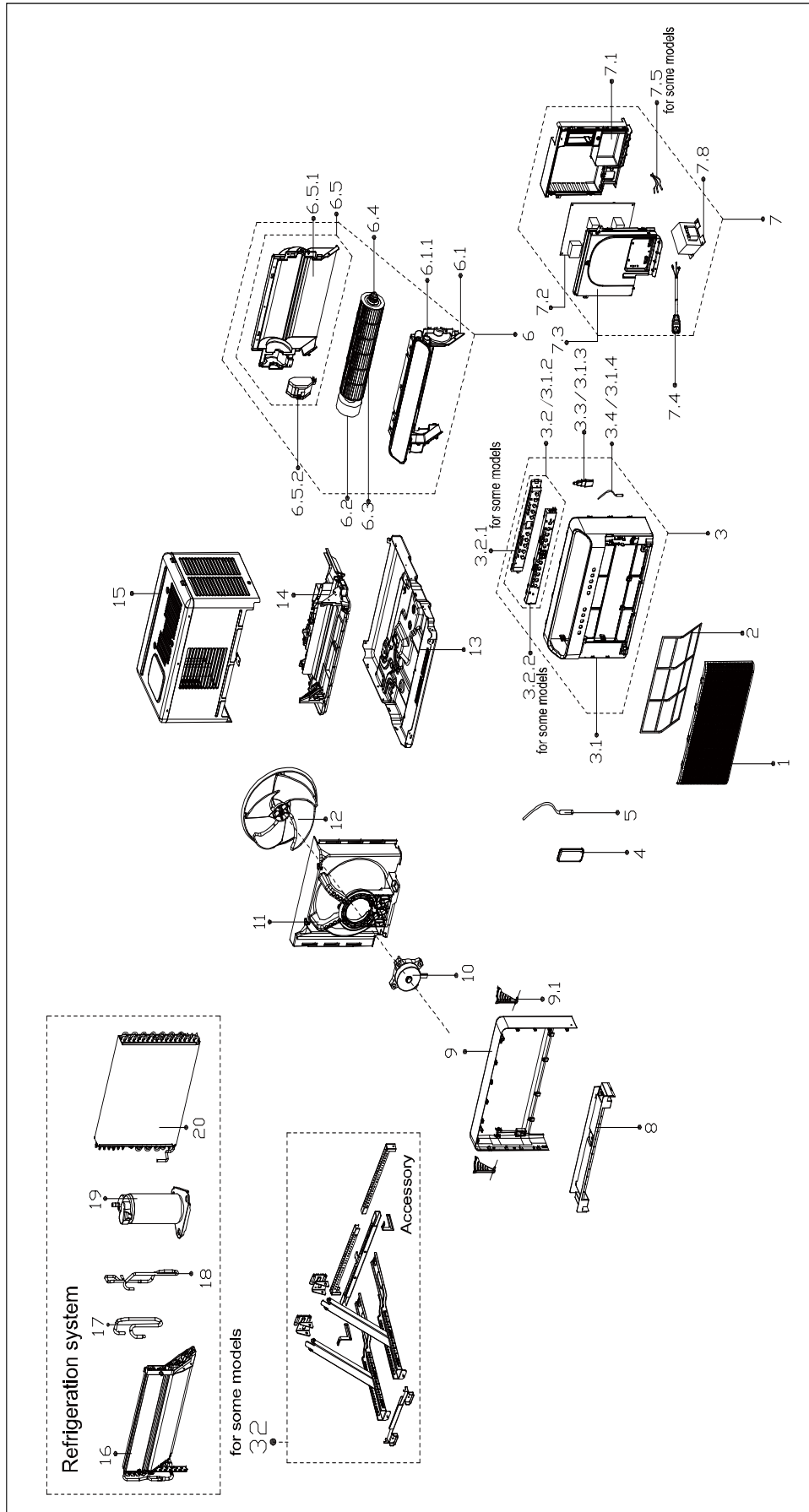
MARS®
Delivering Confidence

REPLACEMENT PARTS LIST

**U-Rack Window Type
Room Air Conditioner**

RXTS-81A

EXPLODED VIEW



REPLACEMENT PARTS

Location	Part Name	Quantity	Part No.
2	Air filter	1	12120300005404
3	Panel frame assembly	1	12120300A28247
3.1	Panel frame	1	12120300005969
3.2	Display box subassembly	1	17220300A20687
3.2.1	Display board Chip mounted subassembly	1	17120300004232
3.2.2	Control panel subassembly	1	12120300005410
3.3	WIFI module subassembly	1	17310900001961
3.4	Room Temperature Sensor	1	11201007003424
4	Remote controller	1	17317000A61467
5	Pipe Temperature Sensor	1	11201007003447
6	Inner air passage assembly	1	12120300005420
6.1	Upper bracket of indoor volute Shell assembly	1	12120300005412
6.1.1	Stepper motor	1	11002010001107
6.2	Brushless DC Motor	1	11002015000150
6.3	Cross flow fan	1	12100102000658
6.4	Bearing components	1	12622000000131
6.5	Base subassembly of volute shell	1	12120300005411
6.5.1	Rear volute shell	1	12120300005485
6.5.2	Electric box wire connection bottom board	1	12120300005304
7	Electronic control box subassembly	1	17220300004510
7.1	Electronic control box cover subassembly	1	12220300004139
7.2	Main control board subassembly	1	17120300004228
7.3	Electronic control box subassembly	1	12220300004138
7.4	Power cord subassembly of LCDI	1	17401202006868
7.5	Temperature sensor	1	11201007004687
7.8	Reactor	1	17400306001263
8	Rear panel assembly	1	12120300005684
9	Rear panel assembly	1	12120300005413
9.1	locked button	2	12120300005415
10	Brushless DC Motor	1	11002015011468
11	Rear barrier board subassembly	1	12120300005406
12	Axial flow fan	1	12100105000921
13	Chassis assembly	1	12220300004698
14	Condenser water tray	1	12120300005419
15	Cabinet assembly	1	12220300004098
16	Evaporator assembly	1	15820300003062
17	Suction pipe assembly	1	15120300006216
18	Discharge pipe assembly	1	15120300006214
19	DC Inverter Rotary Compressor	1	11103020000279
20	Condenser assembly	1	15820300003123
32	Installation accessory	1	12020300000887

Due to ongoing product improvements, specifications and dimensions are subject to change and correction without notice or incurring obligations. Determining the application and suitability for use of any product is the responsibility of the installer. Additionally, the installer is responsible for verifying dimensional data on the actual product prior to beginning any installation preparations.

Incentive and rebate programs have precise requirements as to product performance and certification. All products meet applicable regulations in effect on date of manufacture; however, certifications are not necessarily granted for the life of a product. Therefore, it is the responsibility of the applicant to determine whether a specific model qualifies for these incentive/rebate programs.



1900 Wellworth Ave., Jackson, MI 49203 • Ph. 517-787-2100 • www.marsdelivers.com

