
Comfort-Aire®

PARTS LIST

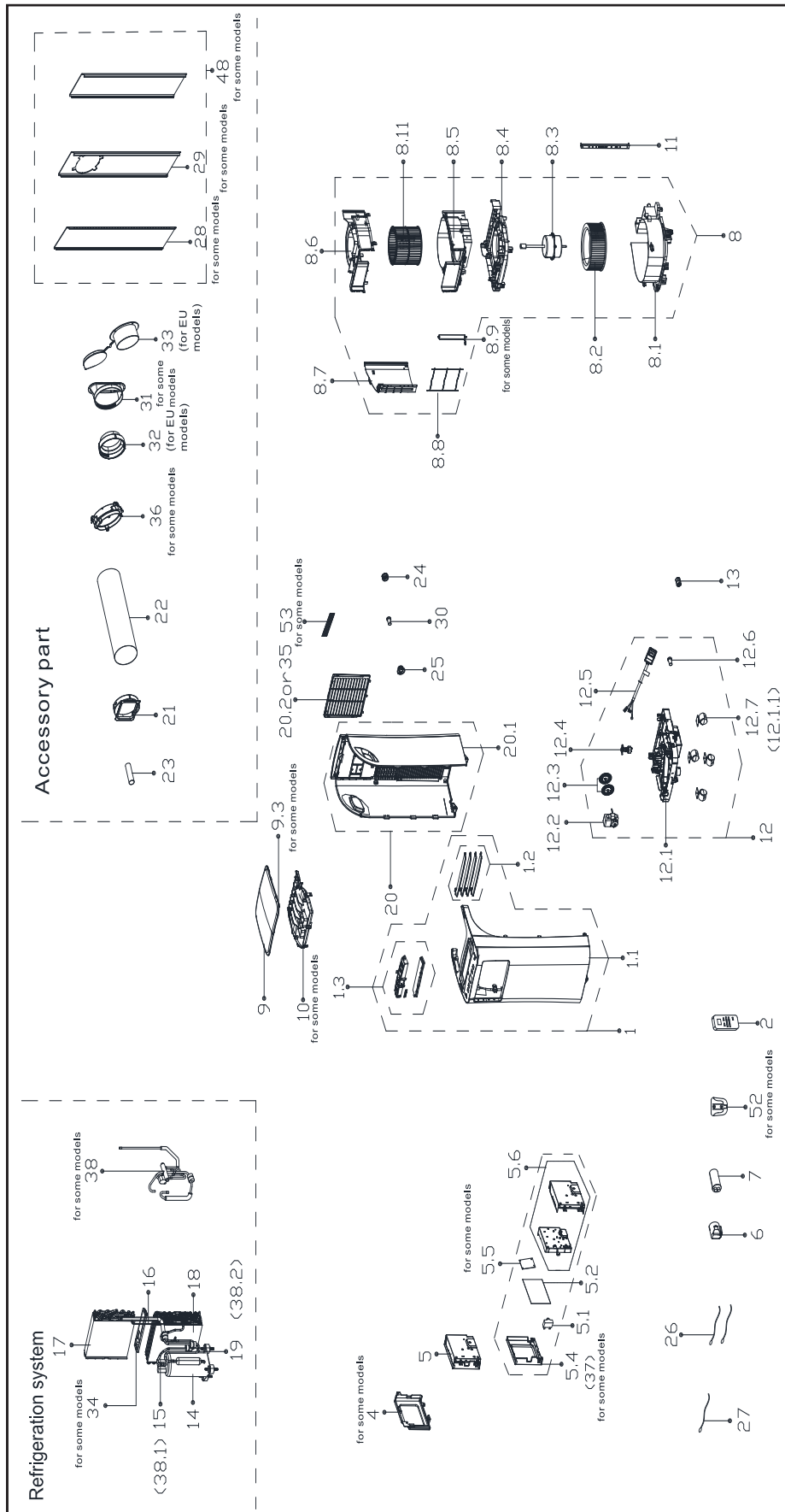
Portable Air Conditioner

PS-81D



517.787.2100 • www.marsdelivers.com

EXPLODED VIEW



REPLACEMENT PARTS

Location	Part Name	Quantity	Part No.
1	Front panel assembly	1	12120600A24698
1.1	Front panel subassembly	1.0	12120600001220
1.2	Connecting rod of louver assembly	1.0	12120600000150
1.3	Display board subassembly	1	17220600001802
2	Remote controller	1	17317000A57281
5	Electronic control box subassembly	1	17220600001801
5.1	Capacitor of fan motor	1.0	17400101A00464
5.2	Main control board subassembly	1.0	17120600002189
5.6	Electronic control box subassembly	1.0	12120600004403
6	Capacitor box	1	12100601000106
7	Capacitor of compressor	1	17400103000052
8	Air outlet volute shell assembly	1	12120600005503
8.1	Air exhaust volute shell subassembly	1.0	12120600002920
8.2	centrifuge fan	1.0	12100103000025
8.3	Single phase asynchronous motor	1.0	11002012032734
8.4	Cover subassembly of air exhause volute shell	1.0	12120600005466
8.5	Air outlet volute shell	1.0	12120600000900
8.6	Air outlet volute shell	1.0	12120600000907
8.7	Sealing board	1.0	12120600004744
8.8	Outdoor air inlet grille	1.0	12220600001022
8.9	Louver	1.0	12120600000236
8.11	centrifuge fan	1.0	12100103000043
9	Upper panel	1	12120600001236
10	Sealing board	1	12120600004745
11	Supporting bar	2	12220600000079
12	Chassis assembly	1	12120600005505
12.1	Chassis subassembly	1.0	12120600005506
12.1.1	Universal wheel	4.0	12620600000019
12.2	Shaded-pole motor	1.0	11002017002208
12.3	Water wheel	1.0	12120600000250
12.3	Water Wheel	1.0	12120600002923
12.4	Water Level Switch	1.0	17400511000002
12.5	Power cord subassembly of LCDI	1.0	17401202006867
12.6	Drain stopper	1.0	12600801000048
13	Cover of Drain connector(outdoor)	1	12120600001499
14	Fixed speed rotary compressor	1	11103010016873
15	Discharge pipe assembly	1	15120600002579
16	Capillary assembly	1	15120600002581
17	Evaporator assembly	1	15820600000813
18	Condenser assembly	1	15820600000977
19	Suction pipe assembly	1	15120600002577
20	Rear panel assembly	1	12120600000515
20.1	Rear panel	1.0	12120600000491

REPLACEMENT PARTS (CONTINUED)

Location	Part Name	Quantity	Part No.
21	Rear panel	1.0	12120600000491
22	Exhaust hose subassembly	1	12120600A12675
23	Drain pipe	1	12100509000040
24	Drain connection	1	12120600001492
25	Drain connection	1	12100510000017
26	Pipe Temperature Sensor	1	11201007003441
27	Room temperature sensor	1	11201007003426
28	Window sealing board	1	12120600004203
29	Window sealing board	1	12120600004204
30	Drain stopper	1	12600801000048
35	Indoor air inlet grille	1	12120600004743
36	Connector, air exhaust duct	1	12120600A12674
37	Fireproof board of electronic control box cover	1	12220600000902
53	Air freshening filter	1	12100206000056
53	Air freshening filter	1	12100206000056

Due to ongoing product improvements, specifications and dimensions are subject to change and correction without notice or incurring obligations. Determining the application and suitability for use of any product is the responsibility of the installer. Additionally, the installer is responsible for verifying dimensional data on the actual product prior to beginning any installation preparations.

Incentive and rebate programs have precise requirements as to product performance and certification. All products meet applicable regulations in effect on date of manufacture; however, certifications are not necessarily granted for the life of a product. Therefore, it is the responsibility of the applicant to determine whether a specific model qualifies for these incentive/rebate programs.

1900 Wellworth Ave., Jackson, MI 49203 • Ph. 517-787-2100 • www.marsdelivers.com

