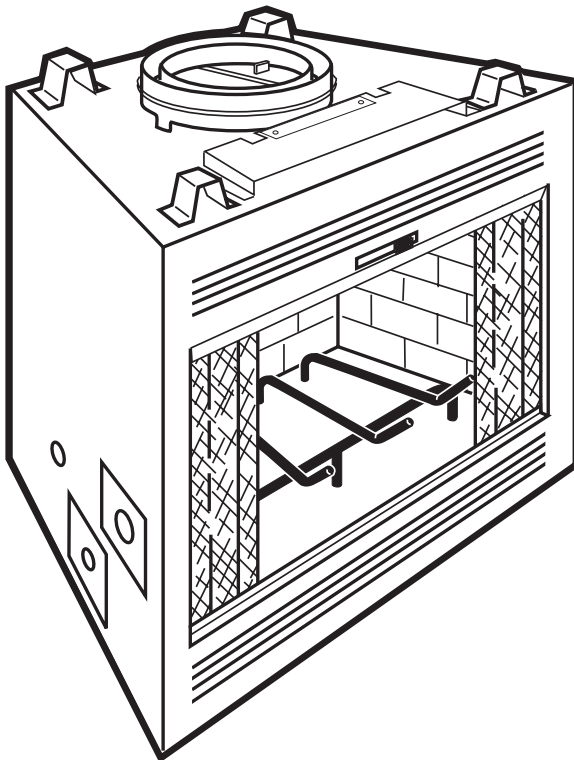




Monessen

CWC Series Woodburning Fireplaces



For Models:
CWC400
CWC500

Homeowner's Installation
and Operating Manual



For use in U.S./Canada
Underwriter's Laboratories
Report No. MH7603



We recommend that our woodburning hearth products be installed and serviced by professionals who are certified in the U.S. by the National Fireplace Institute® (NFI) as NFI Woodburning Specialists or who are certified in Canada by Wood Energy Technical Training (WETT).



DO NOT DISCARD THIS MANUAL: Retain for future use.

Safety Information

PLEASE READ THIS MANUAL BEFORE INSTALLING AND USING FIREPLACE.

IMPORTANT: Read all instructions and warnings carefully before starting installation. Failure to follow these instructions may result in a possible fire hazard and will void the warranty.

Description

The CWC Series fireplaces are solid fuel, woodburning premium fireplaces. The CWC are circulating models with removable grilles (louvers).

Both models are fully insulated fireplaces.

Precautions

MHSC fireplaces and component parts have been highly tested and will operate safely when installed in accordance with instructions provided in this manual. Carefully read and understand all instructions **before** beginning installation.

If you notice any damage to fireplace or component parts, immediately report damage to your MHSC dealer. Only use MHSC components or the warranty will be voided and a fire hazard may be created.

MHSC warranty will be voided by and MHSC disclaims any responsibility for the following actions:

- **Installation by any other than a qualified installer, preferably NFI or WETT (Canada) certified.**
- **Installation of any damaged fireplace or chimney component;**
- **Modification of fireplace, chimney assembly or any component parts thereof;** (except for chase flashings as detailed in the Chimney Top installation instructions).
- **Installation other than as instructed by MHSC; or**
- **Installation and/or use of any component part not manufactured or approved by MHSC in combination or assembly with a MHSC fireplace system, notwithstanding any independent testing laboratory or other third party approval of such component parts or accessory.**

Any such action may possibly cause a fire hazard.

Consult local building codes to ensure that you are in compliance **before** installing the fireplace.

Fireplaces must be vented to the out-of-doors.

Do not obstruct or modify air inlets/outlets in any manner.

Do not install combustible materials on any of the black fireplace surround.

Burn only solid wood fuel or gas logs.

Do not install a solid fuel burning insert or other products not specified for use with this fireplace.

Proposition 65 Warning: Fuels used in gas, woodburning or oil fired appliances, and the products of combustion of such fuels, contain chemicals known to the State

of California to cause cancer, birth defects and other reproductive harm.

California Health & Safety Code Sec. 25249.6

WARNING: Check with your electronics manufacturer before installing a television or other electronic device above this fireplace.

Drafts

The fireplace should not be located in areas that create drafts (ie: frequently opened doors and central heating air inlets/outlets) that hamper the normal flow of air into the fire.

Gas Logs

If you plan to install a gas log, the gas line should be installed **before** framing the fireplace. The gas line must be installed by a certified gas line installer.

CWC400 / CWC500

Listed

UL 127 / ULC-S610

Standard for Factory Built Fireplaces

Table of Contents

Safety Information	2
Specifications and Framing	3
Parts Identification	4
Chimney Requirements	5
Planning Information	6
Installation	7
Replacement Parts	18
Accessories	19

CWC400 Series Woodburning Fireplace — Circulating Model

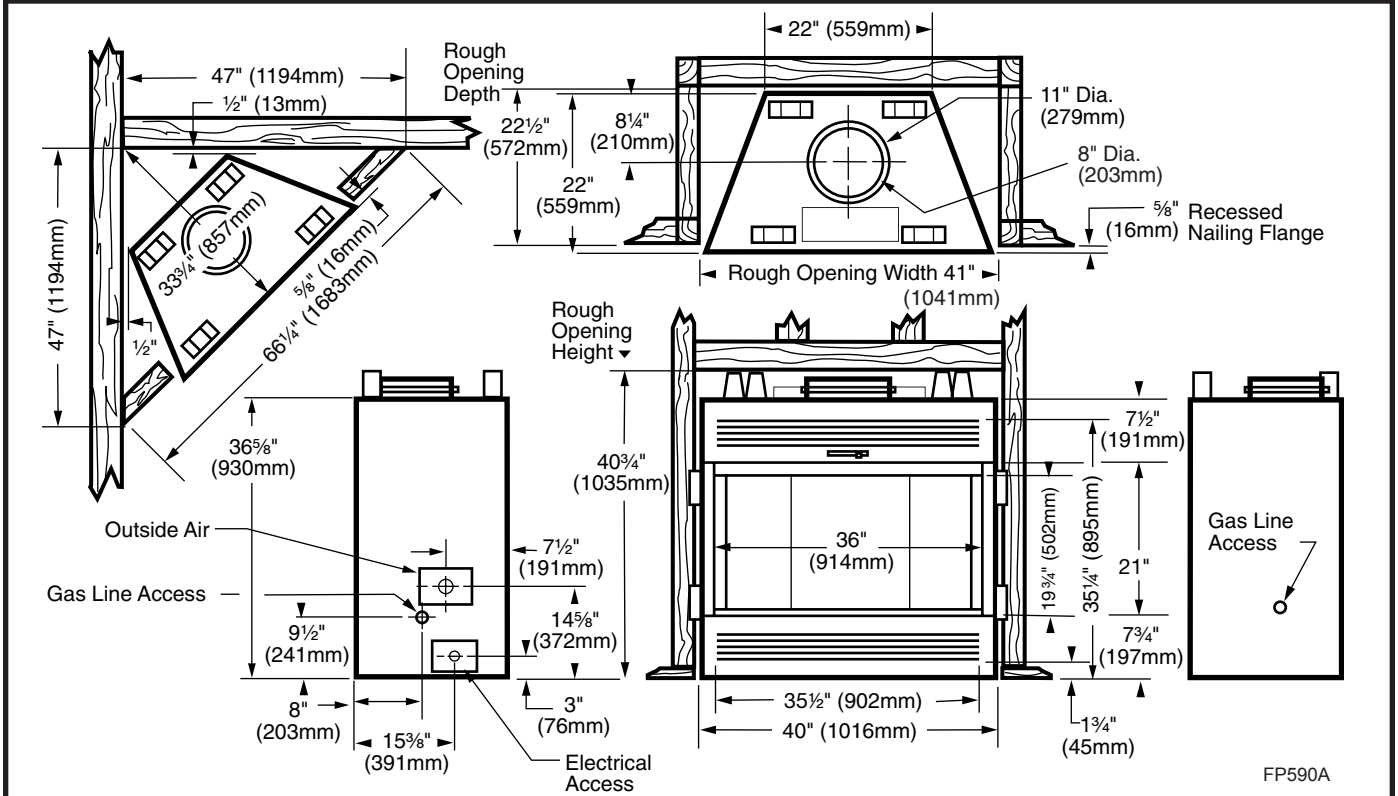


Fig. 1 CWC400 Series specifications and framing.

CWC500 Series Woodburning Fireplace — Circulating Model

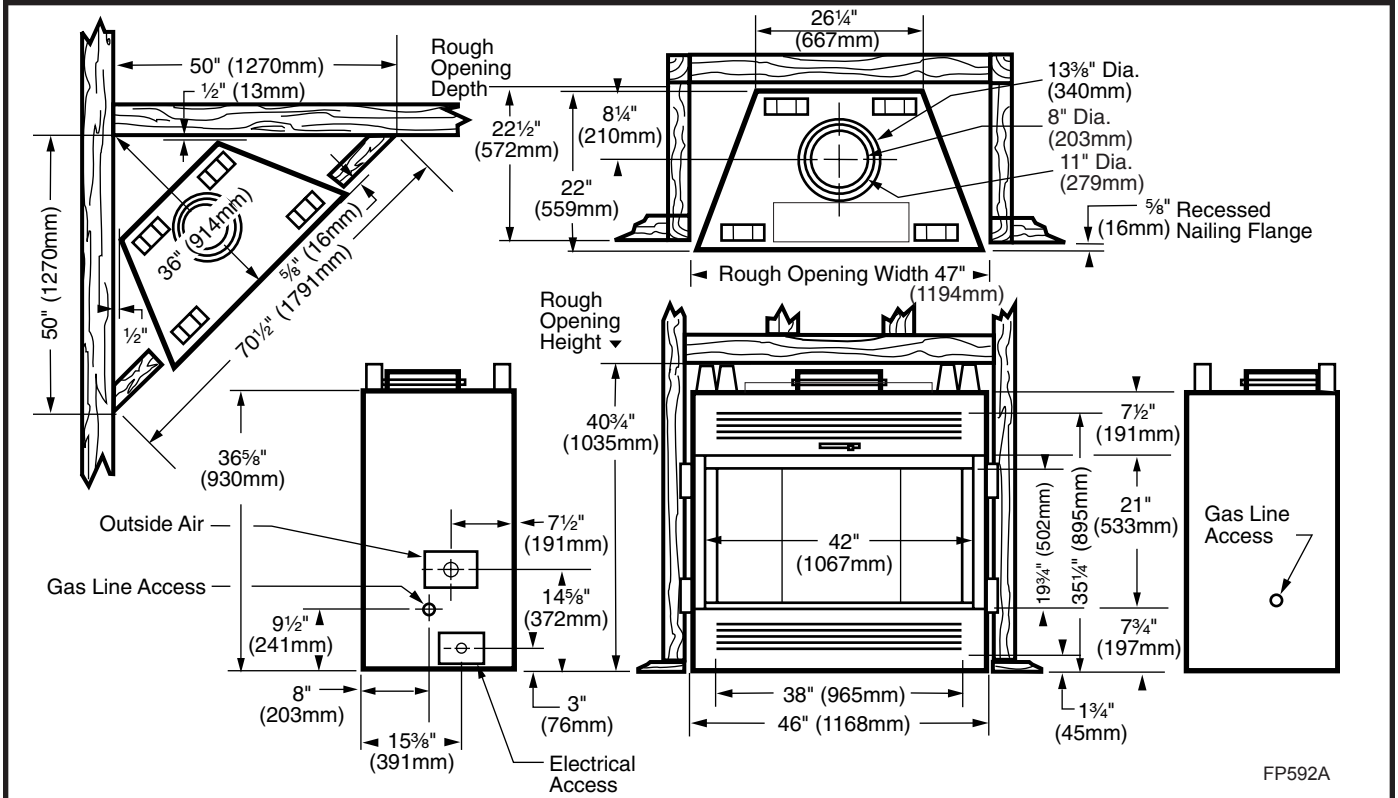


Fig. 2 CWC500 Series specifications and framing.

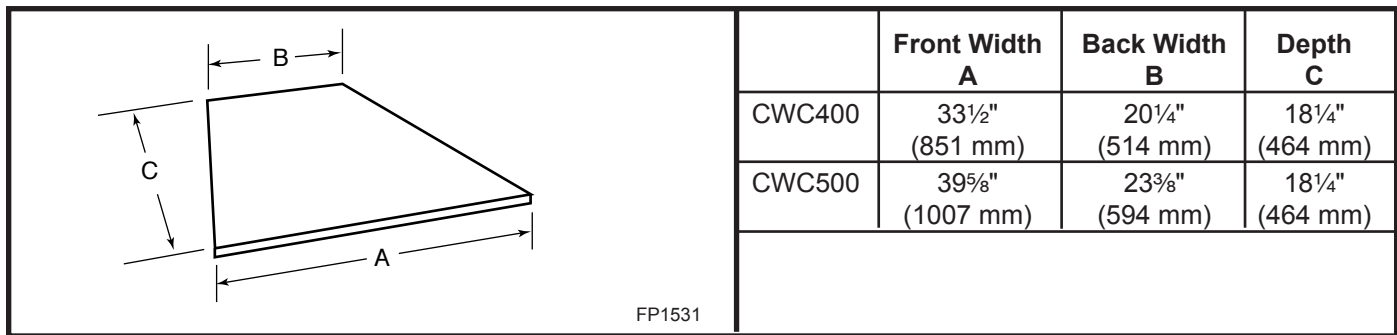


Fig. 2a Hearth dimensions.

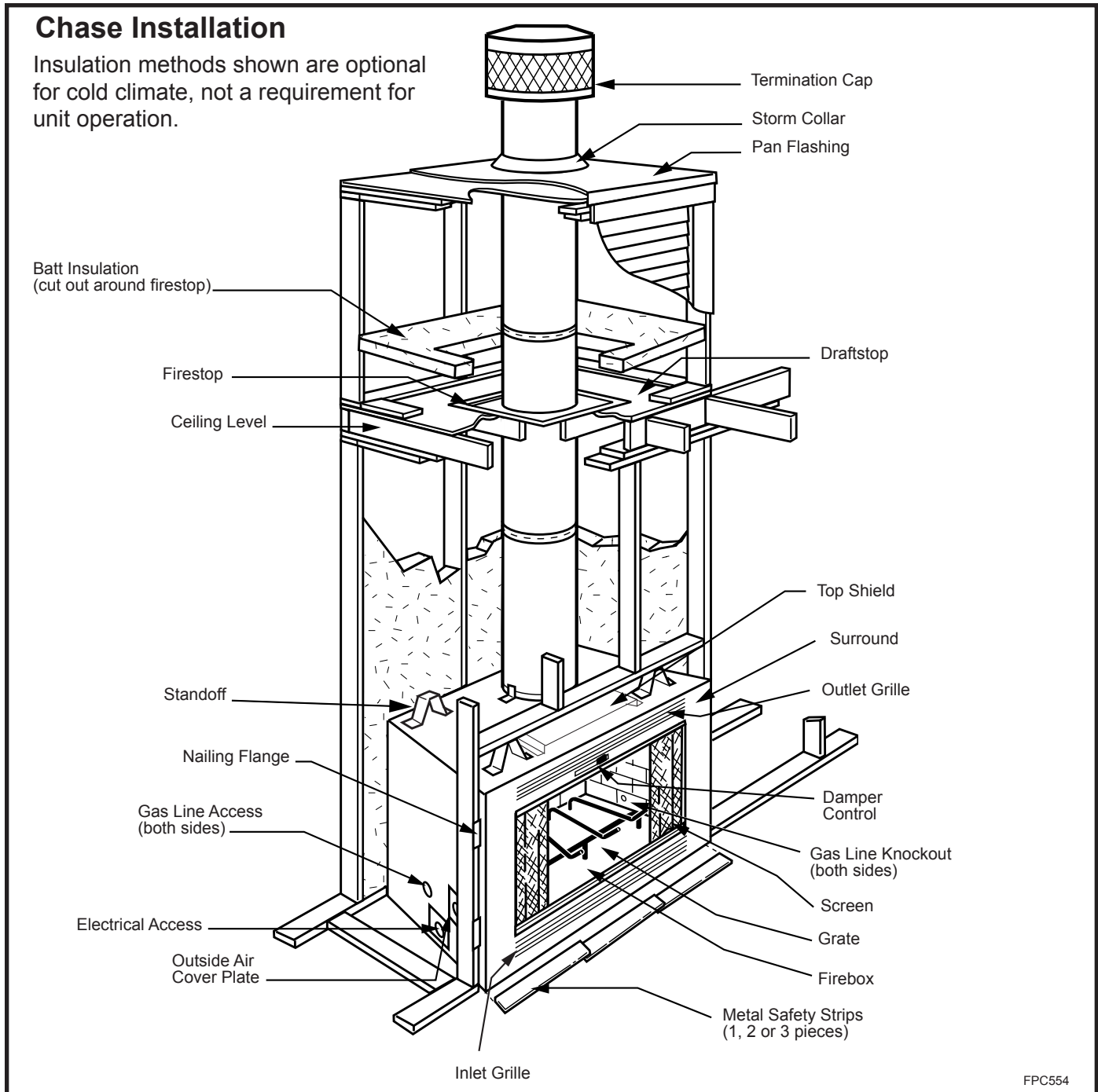
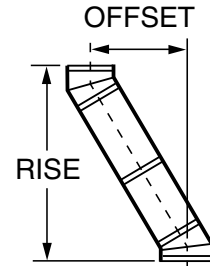
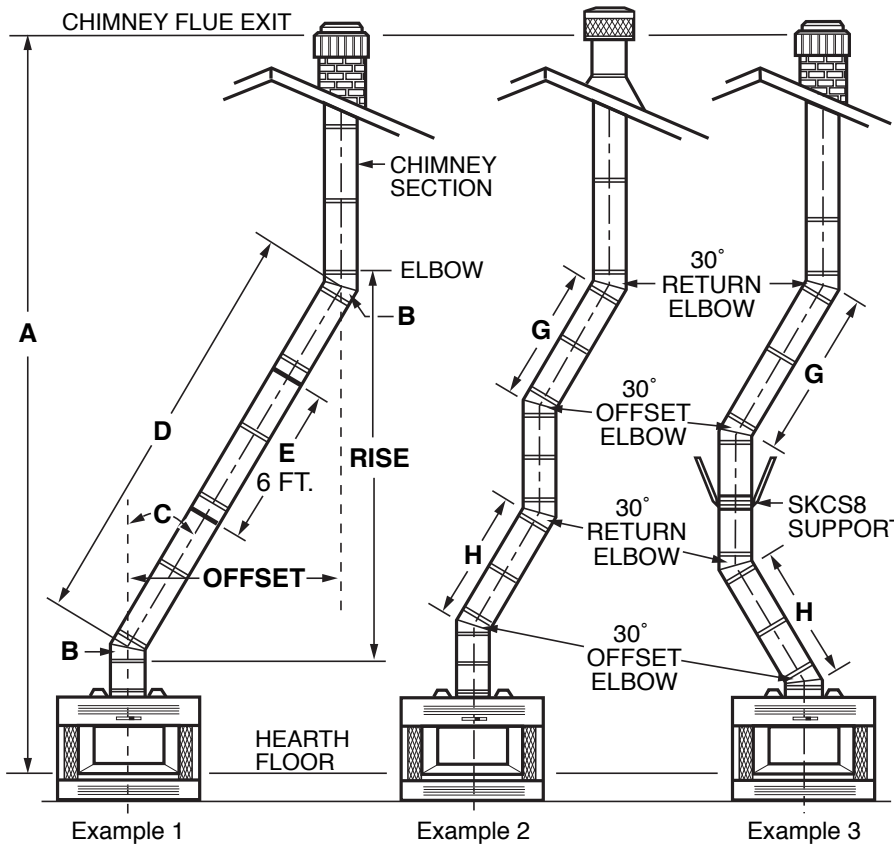


Fig. 3 Fireplace and chase parts identification.

Chimney Requirements - Offset Installations



IWF282

30° Elbow Offsets

1'	1½'	3'	4'	Chimney Support	Offset	Rise
0	0	0	0	0	3"	11"
1	0	0	0	0	8¼"	20"
0	1	0	0	0	11¼"	25¼"
2	0	0	0	0	13½"	29¼"
1	1	0	0	0	16½"	34¼"
0	0	1	0	0	20¼"	40¾"
2	1	0	0	0	21¾"	43½"
0	0	0	1	0	26¼"	51¼"
0	1	1	0	0	28½"	55¼"
1	0	0	1	0	31½"	60¼"
0	1	0	1	0	34½"	65½"
0	0	2	0	0	37½"	70¾"
1	1	0	1	1	41½"	77¾"
0	0	1	1	1	45"	83¾"
0	1	2	0	1	47¼"	87½"
0	0	0	2	1	51"	94"
0	1	1	1	1	53¼"	98"
0	0	3	0	1	56¼"	103¼"
0	1	0	2	1	59¼"	108½"
0	0	2	1	1	62¼"	113½"
0	1	3	0	1	64½"	117½"
0	0	1	2	1	68¼"	124"
0	1	2	1	1	70½"	128"
0	0	0	3	1	74¼"	134½"
0	1	1	2	2	78"	140¾"
0	0	3	1	2	81"	146"
0	1	0	3	2	84"	151¼"
0	0	2	2	2	87"	156½"
0	1	3	1	2	89¼"	160¼"
0	0	1	3	2	93"	166¾"
0	1	2	2	2	95¼"	170¾"
0	0	0	4	2	99¼"	177¾"
0	1	1	3	2	101¼"	181¾"
0	0	3	2	2	104¼"	186¼"
0	1	0	4	2	107¼"	191½"
0	0	2	3	2	110¼"	196¾"
0	1	3	2	3	114"	203¼"
0	0	1	4	3	117¾"	209¾"
0	1	2	3	3	120"	213½"
0	0	0	5	3	123¾"	220"

Notes: G + H cannot exceed 20 feet. FPC269
 Air Space Clearances: SK8 (2-wall) = 1½" and "S" Series (3-wall) = 2"

Illustration Key

The following safety rules apply to offset installations (letters correspond with illustration above):

A. Height of the chimney is measured from the hearth to the chimney exit.

	CWC400	CWC500
Maximum:	90'	90'
Minimum:		
Without Elbows	12' 6"	12' 6"
With 2 Elbows*	15' 0"	15' 0"
With 4 Elbows*	21' 0"	21' 0"

B. Do not use more than 4 elbows per chimney.

Attach the straps of the return (top) elbow to a structural framing member.

The offset (first) elbow of any pair does not have straps.

* In Canada, two (2) SK845 are allowed.

C. The chimney cannot be more than 30° (45° in Canada) from the vertical plane in any installation*.

D. The maximum length of the angled run of the **total** chimney system is 20 feet. (G plus H cannot exceed 20 feet.)

E. A chimney support (Model SKCS8, TCS8A - 8 inch triple wall) is required every 6 feet of angled run of chimney. Chimney supports are required for every 30 feet and 60 feet (SK8 pipe) or 20 feet and 40 feet (3-wall pipe) of vertical chimney height above the hearth.

Determine the offset distance of your chimney arrangement from the centerline of the fireplace to the centerline of the chimney where it is to pass through the first ceiling.

NOTE: This offset distance may not be your full offset distance. See Examples 2 and 3.

Fig. 4 Chimney system requirements.

Planning Information

Preplanning an installation is very important to ensure safety and to save time and money. An installer must predetermine where a fireplace will be set and how the chimney system will be run.

Mounting the Fireplace

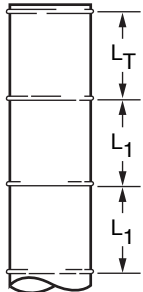
A fireplace may be mounted on the following surfaces:

1. A flat combustible surface.
2. A raised wooden platform.
3. A concrete block or other solid object placed beneath each of the four (4) corners of the fireplace.

The fireplace **must** be spaced 1/2" (13 mm) from a combustible back wall and 1/2" (13 mm) from a combustible side wall or support. Refer to Page 14, Figure 18.

Planning the Chimney Run

Determine how the chimney will be run, length of run and chimney components required to complete the job. (Fig. 4) **Never** install a chimney below minimum heights.

	TRIPLE WALL	MODEL SK 2 WALL CHIMNEY	TOTAL LENGTH (L _T)	INSTALLED LENGTH (L _I)
	81	SK81	11½"	10½"
	818	SK818	17½"	16½"
	83	SK83	35½"	34½"
	84	SK84	47½"	46½"

FP288A

Fig. 5 Installed lengths of chimney sections.

In planning a chimney system, it is important to know:

1. The height of a chimney is measured from the hearth to the exit point on the termination.
2. A chimney cannot be offset more than 30° from a vertical plane.
3. A chimney may run straight up or it may be necessary to offset it to avoid obstructions.
4. The maximum length of an angled run (total chimney system) is 20' (6 m).
5. No more than 2 offsets (4 total 30° elbows in U.S./ or 2 total 45° elbows in Canada) per fireplace may be used.
6. A guy wire stabilizer (not provided) is required for chimneys extending more than 6' (1.8 m) above a roof line.

The Ten Foot Rule

Major U.S. building codes specify a minimum chimney height above the roof top. The "Ten Foot Rule" is a fire safety rule and not a draft rule. It is recommended that you always meet or exceed the "Ten Foot Rule," especially when installing a termination on a high pitch roof. (Fig. 6)

The key points of the "Ten Foot Rule" are:

1. If the horizontal distance from the chimney to the peak of the roof is 10' (3 m) or less, the top of the chimney must be at least 2' (609 mm) above the peak of the roof, but never less than 3' (914 mm) in height above the highest point where it passes through the roof.
2. If a horizontal distance from the chimney to the peak of the roof is more than 10' (3 m), a chimney height reference point is established that is on the surface of the roof a distance of 10' (3 m) from the chimney in a horizontal plane. The top of the chimney must be at least 2' (609 mm) above the reference point, but never less than 3' (914 mm) in height above the highest point where it passes through the roof.

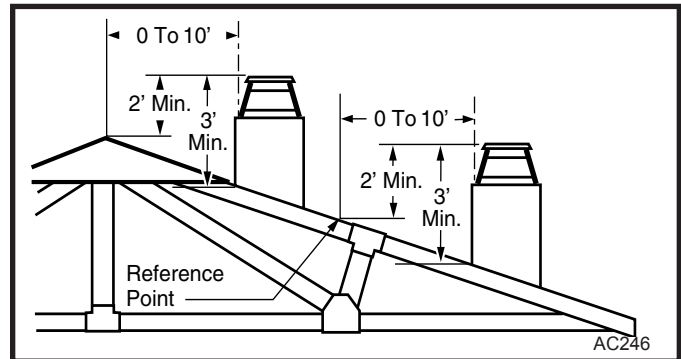


Fig. 6 Ten Foot Rule illustration.

Chimney Supports

The chimney system is supported by the fireplace for vertical chimney heights less than 30' (9 m) above the hearth. Chimney supports are required if the vertical height exceeds 30' (9 m) with SK8 chimneys or 20' (6 m) with 3-wall chimneys. Locate chimney supports at ceiling holes or other structural framing at 30' (9 m) (SK8) or 20' (6 m) (3-wall) heights. Spacing between chimney supports **must not** exceed 30' (9 m) (SK8) or 20' (6 m) (3-wall). Use Chimney Support Model SKCS8 (SK8) and TCS8A (3-wall). **(NOTE: The chimney support cannot be mounted directly to the fireplace.)** Support provided by elbow straps fulfills the support requirement only if they are spaced as previously described. (A chimney support is 2½" long when installed.)

Angled chimney runs require a support every 6' (1.8 m) in addition to the elbow straps. Chimney supports are used for this function. (Fig. 7)

Chase Installation

A chase is a vertical boxlike structure which encloses the fireplace and/or chimney. Chases are typically built on the outside of the house with fireplace opening cut into the outer wall of a room. (Page 5, Fig. 3)

If you need help in determining fireplace location or how the chimney system should be run, contact your MHSC dealer for assistance.

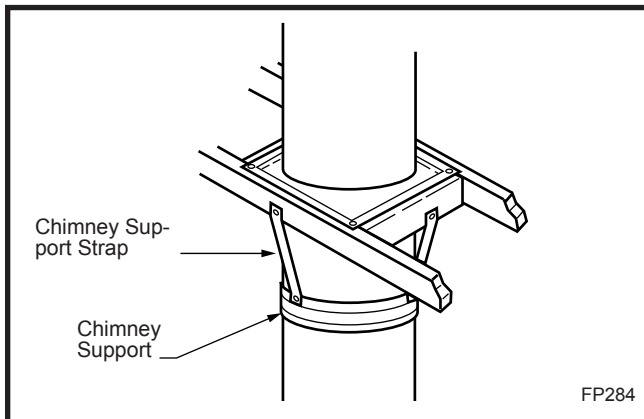


Fig. 7 Chimney support installation.

Installation

Insulating Fireplace Enclosure for Cold Climates

If you live in a cold climate, it is not required but **highly recommended** that you insulate fireplace enclosure to eliminate cold air penetration as much as possible.

Insulate base of fireplace with a noncombustible insulation rated for a minimum of 300°F. Insulating is **very important** for outside wall installations over a concrete slab. If fireplace is installed on a platform, insulation should be placed on top of the platform **before** fireplace is set. (Fig. 8)

When a fireplace is installed in a chase or on a outside wall, enclosure should be treated like any outside wall in a home. Insulation should be installed on the inside wall as well as the outside wall(s). In a chase, it is also a good idea to install a firestop at the first ceiling level above the fireplace and enclose the chase with sheeting material. Insulation may then be installed above sheeting material to assure the space around the fireplace is totally protected. (Fig. 3)

When installing the chimney, **DO NOT** caulk between outer pipe and firestop. It is vital that some air be allowed to flow through this very thin gap.

CAUTION: WHEN INSTALLING A FIREPLACE IN AN INSULATED ENCLOSURE, BE SURE ALL REQUIRED AIR SPACES ARE MAINTAINED. (Page 13, Fig. 18)

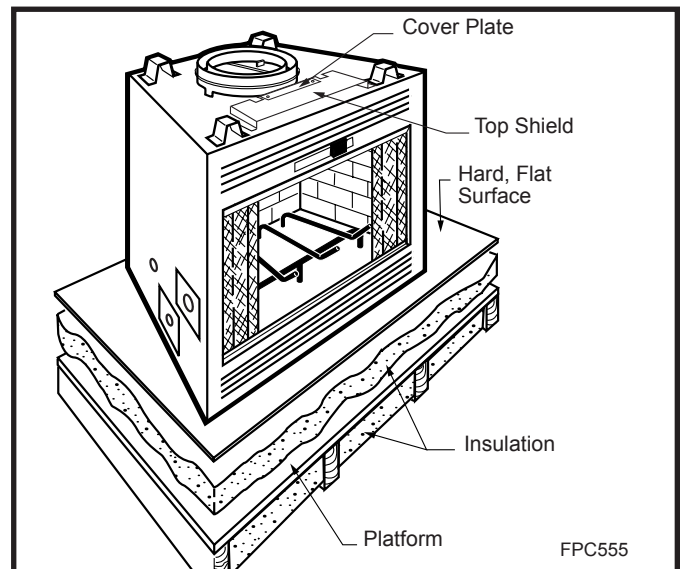


Fig. 8 Insulating between platform and fireplace.

Framing

Framing can be constructed before or after the fireplace is set in place, however, most installers build the frame before setting the fireplace.

Frame fireplace with 2 x 4 lumber or heavier materials. Refer to framing dimensions in Figures 1 and 2 for basic fireplace specifications.

NOTE: Framing should be positioned to accommodate wall covering and fireplace facing material.

Install Electrical Connection

CAUTION: ALL WIRING SHALL BE DONE BY A QUALIFIED ELECTRICIAN AND SHALL BE IN COMPLIANCE WITH ALL LOCAL, CITY AND STATE BUILDING CODES.

IMPORTANT: To prevent electrical shock, the house power must be disabled. This can be accomplished by positioning the circuit breaker to off.

The fan kit assembly and model EB1 junction box are factory installed.

NOTE: Check local building codes to determine if a junction box is required at the romex pigtail/house wire connection.

Install Variable Speed Control

The SCVS Variable Speed Control is tested and safe when installed in accordance with these instructions. Read all instructions before beginning installation. Follow instructions carefully.

The SCVS speed control may be used as an alternate wall switch in lieu of the single pole (Listed 1.5 Amp 120V) switch described in the fan or fireplace installation instructions.

Installation Instructions

For mounting the speed control, a 2" deep standard electrical box should be used. Using wire nuts supplied with the speed control, connect control in series with fan motors and line voltage. Refer to Figure 9 for wiring diagram.

Mount speed control in electrical box and attach wall plate with screws provided. Push on knob so that indicator is in OFF position. (Fig. 10)

Operation

Turn control knob counterclockwise until a click is heard for OFF position. To operate fans, turn knob clockwise and adjust fan speed as desired.

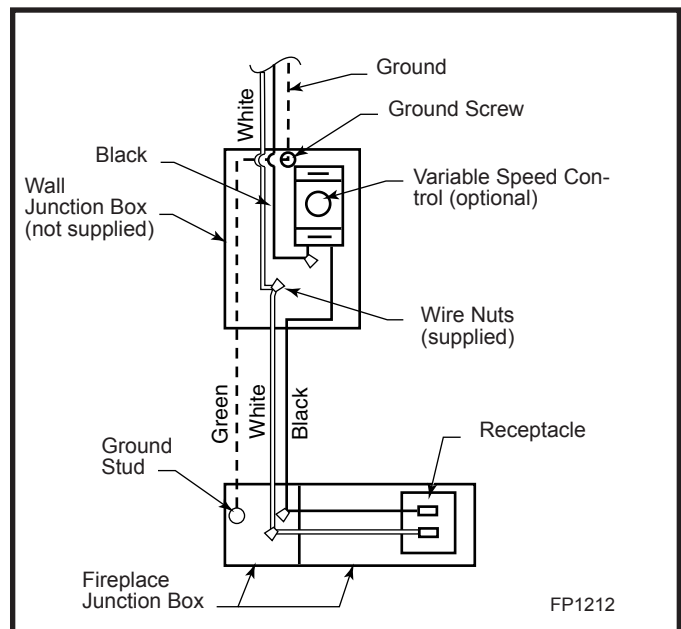


Fig. 9 SCVS wiring diagram.

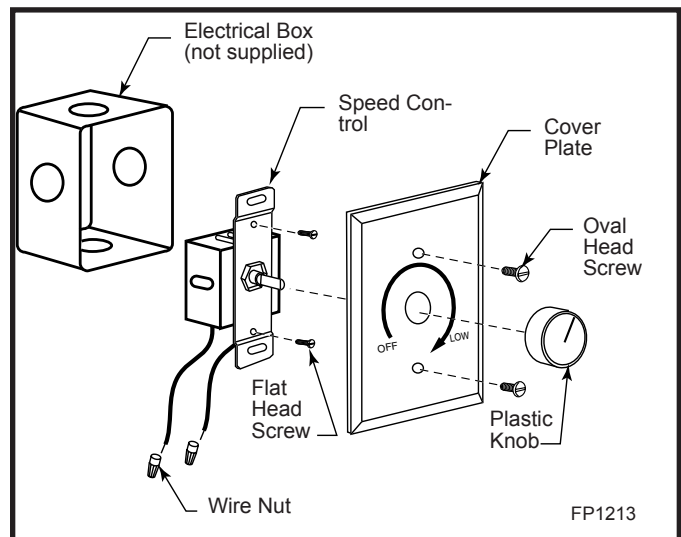


Fig. 10 Speed control mounting.

Chimney Set-up

Since you have already preplanned the chimney run, you should know exactly how the installation is to be accomplished - how much pipe is required, the number of elbows, if any, and type of termination to be used.

CAUTION: REPORT TO YOUR DEALER ANY PARTS DAMAGED IN SHIPMENT, SPECIFICALLY CHECK THE END CONNECTION OF CHIMNEY SECTIONS AND ELBOWS.

NOTE: The CWC400 may use MHSC model SK8, or Model S (three wall) chimney systems. However, a TWABR adapter collar is required when using the Model S (triple wall) chimney system on this unit. The CWC500 is designed to use only the "S" triple wall chimney system. Either chimney system may be used, but **must not** be mixed.

NOTE: To use the TWABR adapter on the CWC400, remove and discard the cover plate on the top shield. (Fig. 8)

Straight-Up Chimney Installation

To mark the centerline of the flue, put the fireplace in final position and measure out from the wall: 9 1/4" (235 mm). Mark a spot on the ceiling directly above the fireplace. Draw a line parallel to the back wall through this mark. (Fig. 11)

Using a plumb bob positioned directly over center point of fireplace flue collar, mark the ceiling to establish the chimney center point. (Fig. 11)

Offset Installation

In order to clear an obstruction, it may be necessary to offset chimney from vertical. This is accomplished by using MHSC elbows. Use the *30° Offset Elbow* table on Page 5 to determine proper offset and parts required.

Each offset requires two (2) elbows. The second elbow is equipped with support straps. It is very important to install the second elbow in each offset as close to the ceiling or support as possible so the elbow straps can be secured to framing members to help support the weight of the chimney.

Determine offset distance of your chimney arrangement from centerline of fireplace to centerline of chimney where it is to pass through ceiling.

Locate center point of the chimney on ceiling as though a straight up chimney arrangement is to be used. Measure your offset dimension from straight up chimney center point on ceiling.

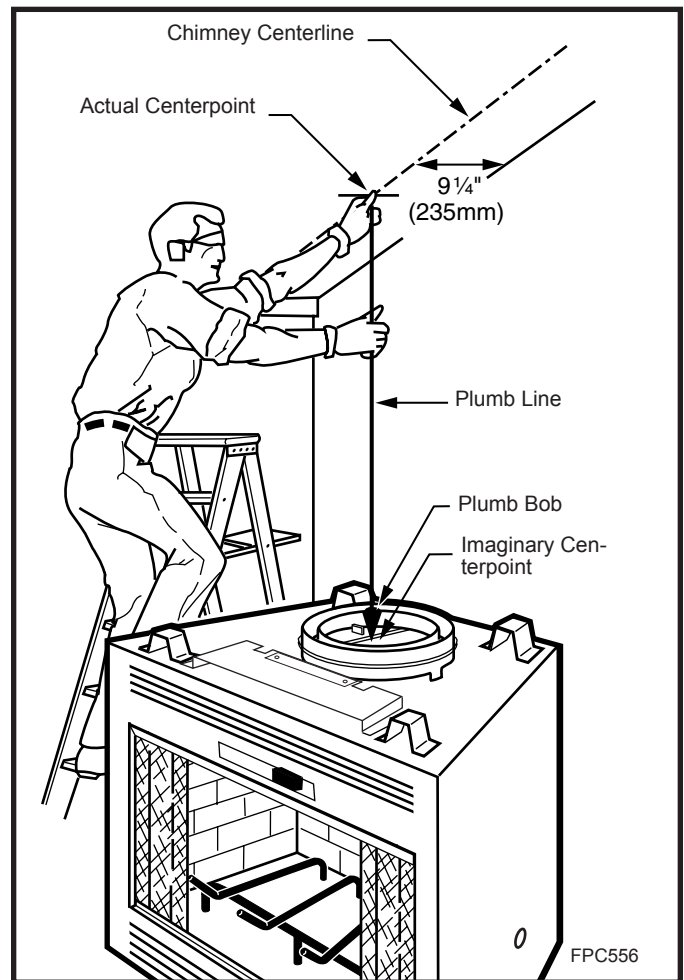


Fig. 11 Locate centerline of chimney with plumb line.

Ceiling Chimney Hole/ Possible Obstructions

The size of the hole in ceiling will vary with the angle at which the chimney passes through ceiling.

Drive a nail up through ceiling at marked chimney center point. Go to floor above and see where hole will be cut. Check to see where existing ceiling joists and other possible obstructions are located...i.e. wiring, plumbing etc... If necessary, reposition chimney and/or fireplace to avoid obstructions.

Cutting the Hole

Cover fireplace collar opening and cut proper sized chimney hole in chimney. The SK8 pipe allows you to run pipe through a typical 16" on center joist without cutting joists.

Framing the Ceiling Hole

Frame the ceiling chimney hole as shown in Figure 13. It is good practice to use framing lumber that is the same size as the ceiling joists; this is a requirement at attic level.

The following table gives firestop spacer model numbers:

Size of Chimney	Angle of Chimney at Ceiling	
	Vertical	30°
8" Flue "SK" Series	SKFS2A 14½" x 14½" (368mm x 368mm)	SKFS6A 14½" x 25½" (368mm x 648mm)
8" Flue "S" Series 3-Wall	FS2A 17½" x 17½" (445mm x 445mm)	FS6A 17⅞" x 29⅝" (454mm x 753mm)

Fig. 12 Ceiling chimney hole sizes necessary for installing firestop spacer.

The inside dimension of the frame must be the same as the hole size selected from Figure 13 in order to provide required air space between the outside diameter of the chimney and the edges of the framed ceiling hole. (1½" - SK8; 2" - 3 wall)

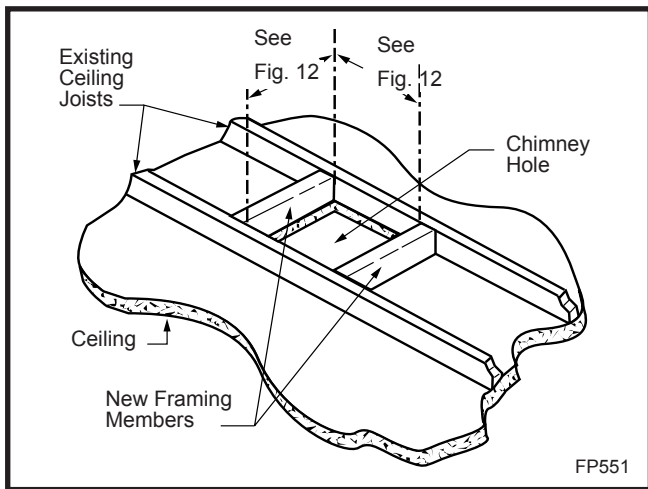


Fig. 13 Typical frame for ceiling chimney hole.

Positioning, Safety Strips, Securing The Fireplace

Slide fireplace into position.

Lift the fireplace front slightly and slide the metal safety strips under front bottom edge about 1½" (38 mm), allowing the remainder to extend in front of firebox. Overlap strips at least ½" (13 mm) to provide a positive joint. (Flat safety strips are packed with fireplace.) (Fig. 14)

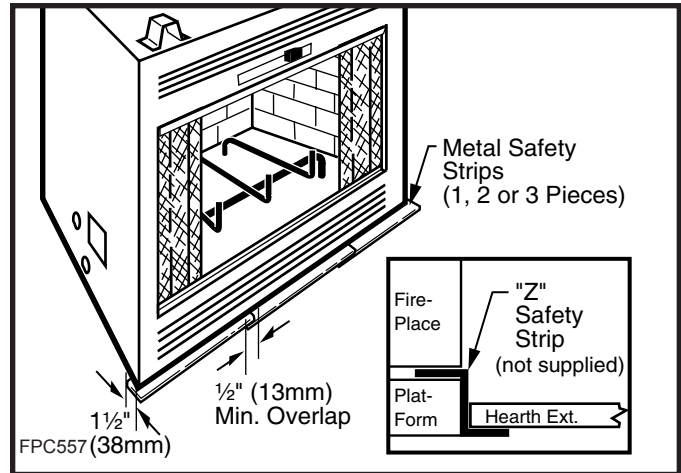


Fig. 14 Safety strip installation.

Safety strips are used to ensure that any combustible materials in front of the fireplace are protected even though a noncombustible hearth extension is required.

If fireplace is to be elevated above the floor, a "Z" shaped metal safety strip must be fabricated and used to protect combustible surfaces in front of the fireplace. This "Z" shaped safety strip is not provided but must be fabricated of metal with each horizontal leg at least 1½" (38 mm) wide and equal in length to the metal strips provided with the fireplace.

Note: Safety strips are not required over noncombustible floors where all supports at the base of the fireplace are noncombustible.

Nailing flanges are integrated on the face of the fireplace. To level the box and secure it firmly in place, bend the nailing flanges and install as shown in Figure 15.

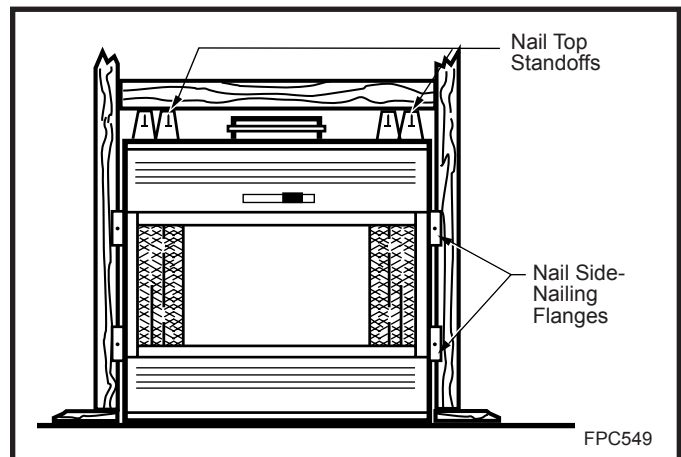


Fig. 15 Fasten fireplace in position.

Installing Outside Air Kit

An outside air kit is installed in all CWC Series Fireplaces. If desired, or if local codes mandate the use of an air kit, then an AK-MST is required to complete the installation (from air kit to the outdoors). If the outside air kit is to be used, the AK-MST **MUST** be installed **BEFORE** the fireplace is enclosed. Refer to the AK-MST instructions for field installation. The outside air control lever is located at the front edge of the left side brick. To 'open', push the control lever down toward the hearth brick. To 'close', pull the control lever up and over. (Fig. 16)

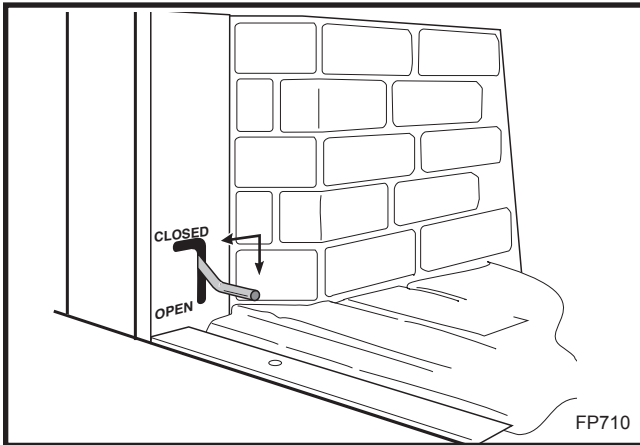


Fig. 16 Outside air operation.

Installing the Chimney System

Start by attaching the first chimney section to the collar on top of the fireplace.

Install the pipe as pictured in Figure 17. When you get a good lock, you will hear the pipe clearly snap together. Once sections are snap-locked in place, it is extremely difficult to get them apart. **Make sure the pipe is firmly snapped and locked together as each pipe section is mounted.**

When installing elbows, only outer pipe will snap-lock. Middle pipes simply slide into position. Be sure to always attach straps on upper elbow to a structural framing member. (Fig. 18)

Continue installing the pipe as required until pipe is installed up through the ceiling. At this point, you must install a firestop spacer.

Installing the Firestop Spacer in the Ceiling Hole

A firestop spacer is used to keep pipe spaced properly and required for safety.

Nail the firestop spacer (at each corner) to the framing members of the ceiling hole. **NOTE:** A firestop spacer is not required at the roof.

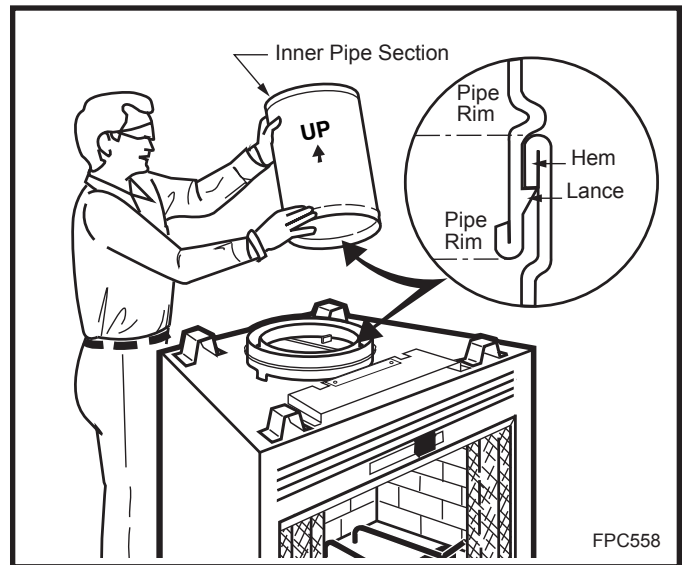


Fig. 17 Install pipe, listening for the snap-lock to fasten.

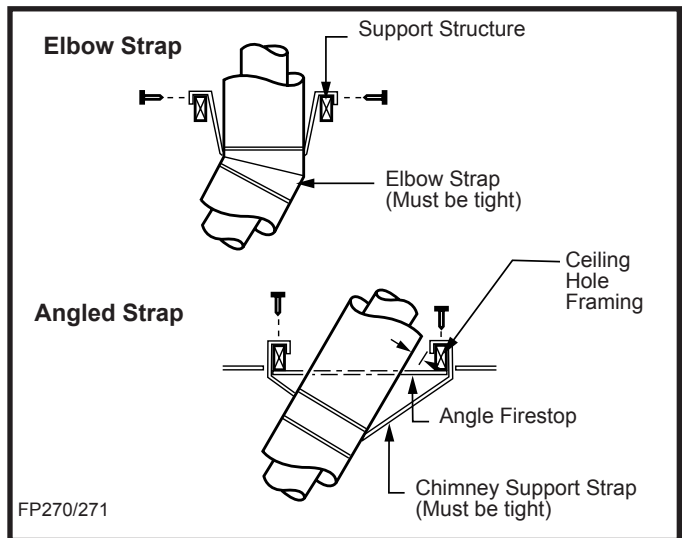


Fig. 18 Attach straps to a structural framing member.

Hole sizes listed in Figure 13 for angled firestop spacers provide minimum required air space to chimney pipe for ceiling thickness up to 8" (203 mm). When combined thickness of ceiling material, ceiling joists and flooring material exceeds 8" (203 mm), adjustments must be made in framing to assure that minimum air spaces to chimney are maintained.

Proper Firestop Spacer Installation

Figure 19 shows different installation procedures for both an area that *is* an attic and an area that *is not* an attic.

If the area above the ceiling **is not** an attic, position the firestop spacer with the flange on the ceiling side and the angled portion extending up into the hole.

If the area above the ceiling **is** an attic, position the firestop spacer with the flange on the top of the framed

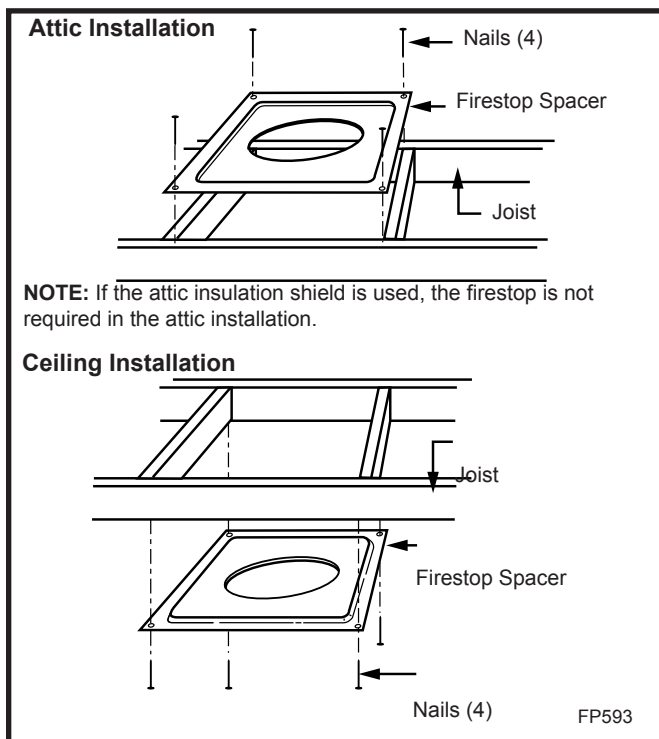


Fig. 19 Installing firestop spacer.

hole and the angled portion extending down into the hole.

Firestop spacers are not available for nor are they required on vertical walls.

DO NOT put any sealant around the area where the outer pipe slides through the firestop spacer. If you seal this area, it may cause a fire hazard.

Canadian Requirements for Insulation Shield

In Canada, an attic insulation shield is required to prevent attic insulation from contacting the chimney section. **NOTE:** If the attic insulation shield is used, the firestop is not required in the attic installation. Framing dimensions for the chimney hole should measure 14½" x 14½" (368 x 368 mm) for SK8; 17½" x 17½" (445 x 445 mm) for 3-wall. An attic shield **MUST** be installed on top of attic joists (above the floor level). (Fig. 20)

NOTE: In the U.S., it is a good idea, although not always required, to install an attic insulation shield where blown-in insulation is planned to be used in the attic.

Install the attic insulation shield with the flanges on its base extending down into the framing hole. Nail each corner of attic insulation shield to the framing members of the ceiling hole using 8d nails. Attic shields are not required at the roof.

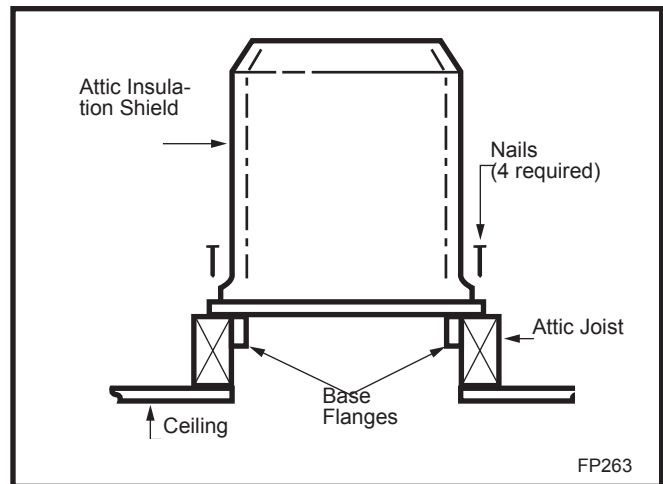


Fig. 20 Attic shield installation (Canadian requirement).

Continue Installing Pipe to Complete Run

Continue attaching pipe sections to complete system to next level always being careful that the pipe is firmly snapped locked in place before proceeding to next pipe section.

Chimney Supports

If chimney supports are required, they are installed the same as elbows. Nail chimney support straps to adjacent structural framing, as shown on Page 7, Figure 7. Bend straps as necessary and make sure they are secure so they will support the weight of the chimney. A chimney support is 2½" long when installed. Consider this dimension when determining how many straight chimney sections are needed.

NOTE: Chimney supports are generally used in long runs in a chase installation.

Additional Ceilings

If you encounter additional ceilings, repeat same steps required for first ceiling installation. Refer to firestop illustration on Figure 19.

Penetrating the Roof

Run pipe to roof line. Since chimney system must be vented to the out-of-doors, you **must** use an approved termination.

If a chase is used, refer to the installation manual provided with the termination cap.

Locate Chimney Centerpoint On Roof

Use same procedure detailed in locating center point of the flue system.

Drive a nail up through roof at the center point. This will determine center point on outside of the roof.

Cut and Frame Roof Hole

Size of roof hole varies with the type of chimney termination installed. Refer to installation instructions provided with the chimney termination to find correct size of roof hole.

There must be an air space (1½" - SK8; 2" - 3-wall) between outermost portion of chimney sections and any adjacent combustible surfaces. (Combustible surfaces include burnable materials such as: ceiling members, joists, flooring, combustible insulation and roof structures.)

WARNING: DO NOT PACK REQUIRED AIR SPACES WITH INSULATION OR OTHER MATERIALS.

Mark an outline of the roof hole around the center of the point nail. **NOTE:** Hole dimensions given in the chimney top installation instructions are **horizontal** dimensions; therefore, the hole size must be marked on the roof accordingly.

Cover the opening of the installed chimney so debris cannot get into the system.

Cut and frame the hole. It is good practice to use framing lumber that is the same size as the rafters. Install the frame securely because the chimney top and flashing anchored to the frame must be able to withstand heavy winds.

Install Remainder of Chimney Sections

Since you have already preplanned the height of your termination according to the *Ten Foot Rule*, continue to install pipe to the predetermined height.

Check the chimney top installation instructions for details on how high above the roof top the chimney sections (all pipes) should extend.

Installing Top Housing or Termination

Follow the installation instructions provided with the chimney termination you have selected.

Installing Chimney In a Chase

Refer to Page 4, Figure 3 for an illustration of a typical chase installation.

CAUTION: Treatment of firestop spacers and construction of chase may vary with type of building. These instructions are not a substitute for local building codes. You must check your local building codes to determine specific requirements for your city or state. NOTE: Other building materials may be required in addition to Firestop Spacers.

Air Space Clearances

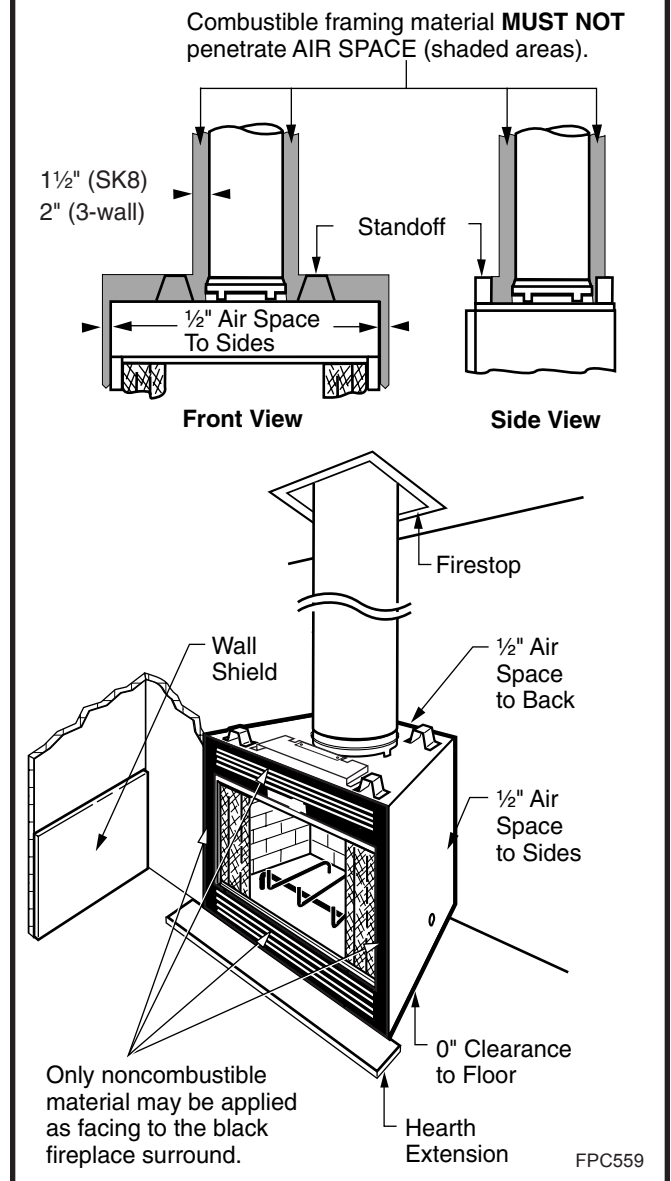


Fig. 21 Minimum clearances to combustibles.

Finishing

CAUTION: All joints between the finished wall and the fireplace surround (top/sides) must be sealed with noncombustible material to prevent cold air leakage into the room. Only noncombustible material may be applied to the facing of the fireplace surround. (Black painted area) (Fig. 21)

Finish Wall

Finish the wall with material of your choice. **Do not install a combustible mantel shelf less than 12" (305 mm) from top of grille opening. Do not install a mantel face plate less than 6" (159 mm) from top of grille opening.** (Fig. 23) If a combustible material is

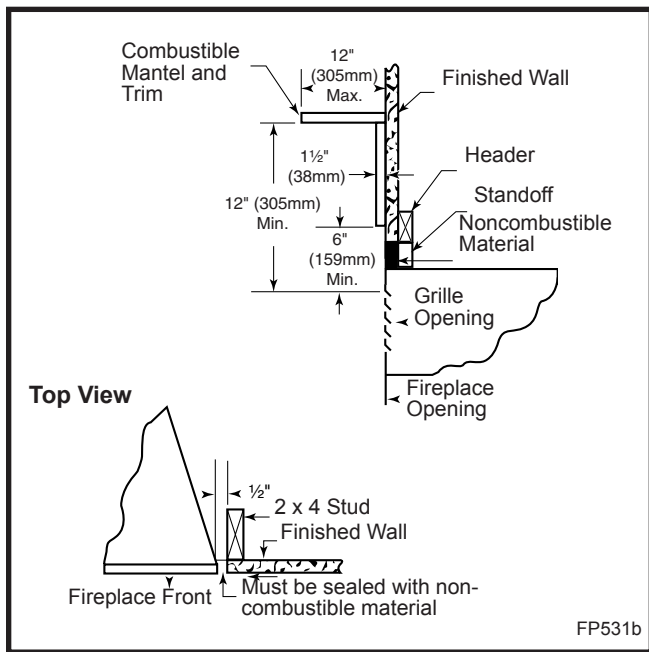


Fig. 22 Mantel clearance.

used below a flat mantel shelf, consult your local building codes for minimum clearance from top of fireplace opening to bottom of mantel shelf.

All joints (top, bottom and sides) where wall or decorative facing material meets fireplace surround must be completely sealed with a noncombustible material. (Figs. 22 and 23)

NOTE: No side wall protection is required for fireplaces installed at 45° to two (2) side walls (corner installation). Often a decorative surround or vertical portion of the mantel is desired. If this is constructed of any combustible material it must be within the safe zone indicated in Figure 23.

Side Wall Protection

Adjacent combustible side walls that are within the minimum dimensions shown in Figure 24 of fireplace opening must be protected with MHSC Wall Shield Model SP40 or a specifically built wall shield described below.

The special wall shield design described in Figure 19 is an alternate method of adding protection to side walls and can be used in place of the SP40 with the same wall clearances specified for the SP40. Rt must = 1.85 minimum.

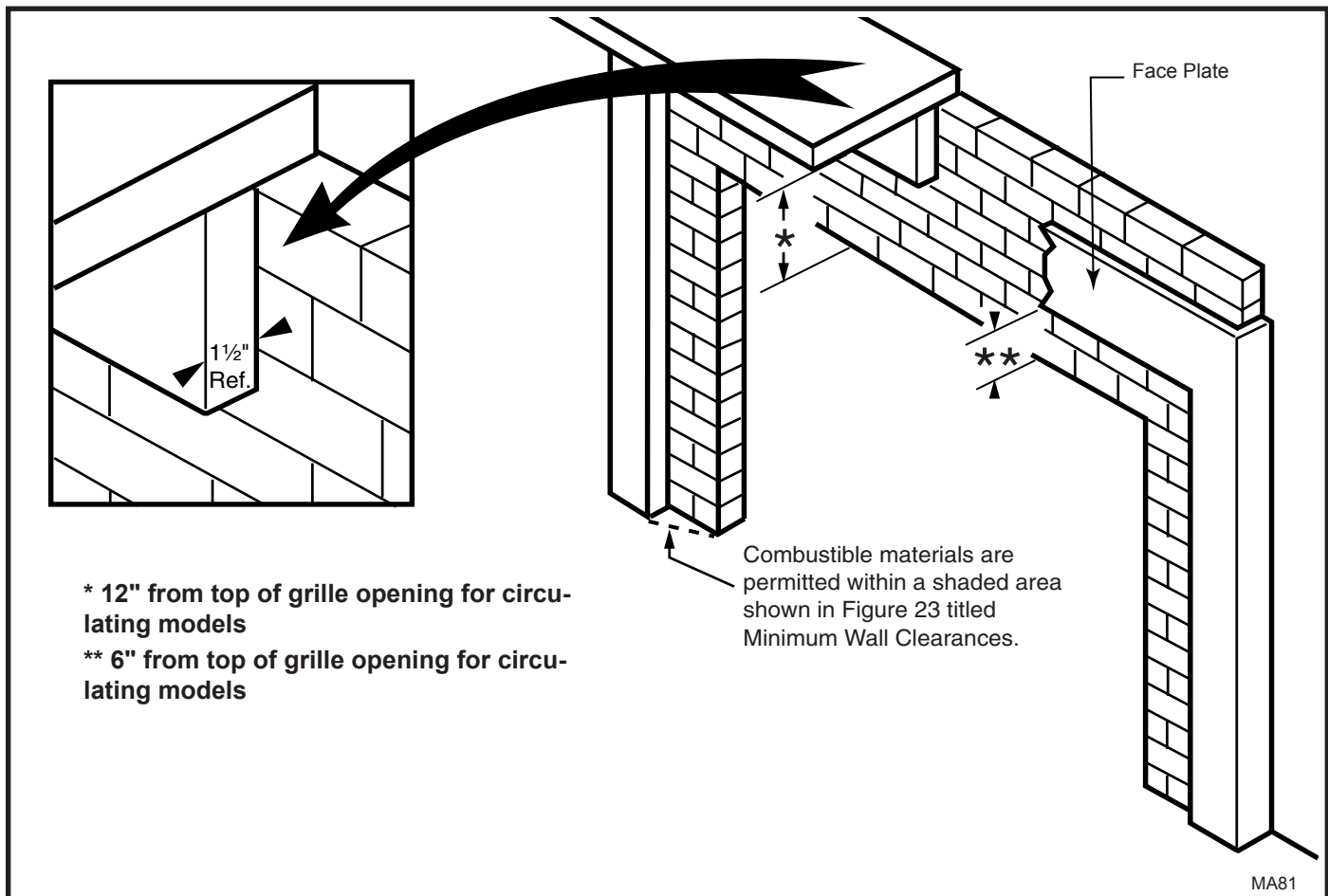


Fig. 23 Combustible mantel clearances.

1. Manville - CERAFORM 126, K=.27,
1/2 inches thick
2. MHSC - EH2416, K = .458,
1 inch thick required.

Hearth Installation

A hearth extension is required to protect a combustible floor in front of the fireplace. Refer to Figure 24 for minimum dimensions and mounting detail.

NOTE: Hearth Extension must not cover the air inlet/outlet opening of a fireplace.

The hearth extension described in Figure 24 must be a durable noncombustible material with a minimum (total) Rt value of 1.09; refer to Figure 25 for examples. The overall height (above a combustible floor), depth and width must be as indicated, with the extension centered to the fireplace opening.

The top of insulation must be covered with a noncombustible decorative covering **or** a piece of .018" minimum sheet metal, to protect hearth extension material. (Fig. 24)

Secure the hearth extension to the floor to prevent shifting, using trim molding or other similar means at three (3) outer edges. Seal crack between the fireplace hearth and hearth extension with a noncombustible material. (Figs. 22 and 26)

WARNING: HEARTH EXTENSION MUST BE INSTALLED IN ACCORDANCE WITH FIGURE 24 AND MUST NOT COVER THE BOTTOM FRONT OPENING OF THE CIRCULATING MODEL.

Alternate noncombustible materials may be used providing the (total) thermal resistance (Rt value) of the alternate material employed is greater than or equal to R = 1.09. Thermal resistance (R) or thermal conductivity (K), may be obtained from manufacturer of the material. Factors are related by the formula $K = 1/R$.

T = given thickness
R = thermal resistance for a given thickness (T)
K = thermal conductivity

Noncombustible material with a lower R value may be used, provided thickness of material is sufficiently greater to maintain an equivalent (total) thermal resistance (Rt).

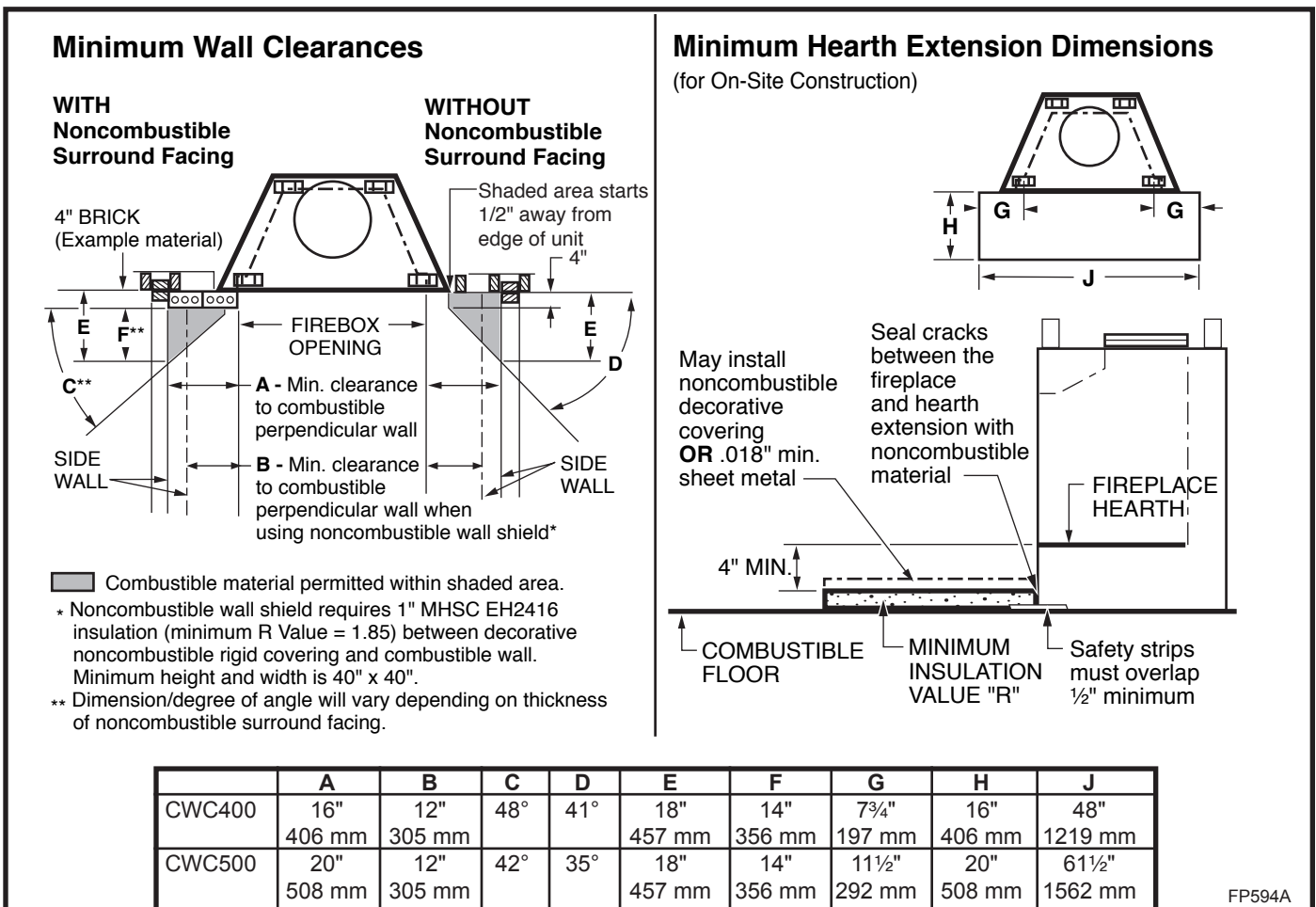


Fig. 24 Combustible side wall protection and hearth extension dimensions.

COMMON MATERIALS AND FACTORS			
MATERIAL	K*	R	MINIMUM THICKNESS
EH2416 (MHSC)	0.458	1.09	0.50 in.**
Common Brick	5.0	0.10	5.46 in.**

R Value is for 1/2 inch.
 * Units of K = BTU/SQ FT/HR/°F/IN
 ** Thickness of Listed Material

FP533ADD

Fig. 25 Hearth extension material factors.

Example of Determining Hearth Extension Equivalents

$$\text{NEW required thickness} = \frac{\text{K of new material (per inch)}}{\text{K of listed material (per inch)}} \times \text{thickness of listed material}$$

To determine the thickness required for any **new** material:

Example for Common Brick

$$T (\text{new}) = 5.0 / 0.458 \times 0.50 \text{ in.} = \mathbf{5.46 \text{ in.}}$$

(new required thickness).

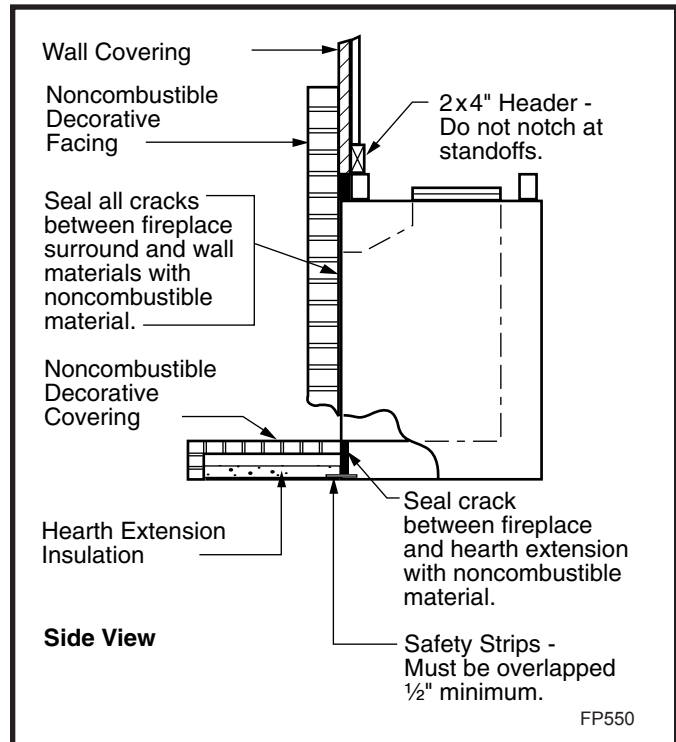


Fig. 26 Sealing gaps.

Installing Line for Gas Logs

MHSC fireplaces are designed to accept a 1/2" gas line for installation of an approved gas appliance. (MHSC manufactures a wide variety of gas logs for use in MHSC fireplaces.)

Be sure to have the appliance installed in accordance with building codes.

Gas connection may enter from either left or right side of the fireplace.

Locate appropriate gas line access hole in the outer casing of fireplace and remove insulation from gas line tube. (Fig. 27)

From inside the fireplace, locate the knockout on the firebrick -- be sure you are on the appropriate or "gas line" side of the fireplace. Using a flat bladed screwdriver or small chisel and hammer, carefully tap around the knockout until it loosens and falls out.

Install 1/2" certified gas pipe through opening. After gas pipe installation is complete, use insulation that was removed from gas line tube to repack space around the pipe. Material should be inserted from outside of the fireplace and packed tightly to totally seal between the pipe and tube.

NOTE: Gas pipe should not come in contact with any wood structures until it has reached a point at least one (1) inch away from fireplace side.

NOTE: When installing an ANSI Z21.11.2 ventless appliance, the finishing materials used for the mantel must be rated at 250°F or greater.

BTU input of a gas appliance installed in fireplace should be rated less than 100,000 BTU/Hr.

Gas pipe installation is intended for connection to a decorative gas appliance only when (1.) incorporating an automatic shut-off device and (2.) complying with the Standard for Decorative Gas Appliances for Installation in Vented Fireplaces (ANSI Z21.60) or CSA draft requirements for Gas-Fired Log Lighters for Woodburning Fireplaces (Draft No. 4, August 1993).

Decorative gas appliance should be installed in accordance with the National Fuel Gas Code, ANSI Z223.1/ NFPA 54 (latest edition).

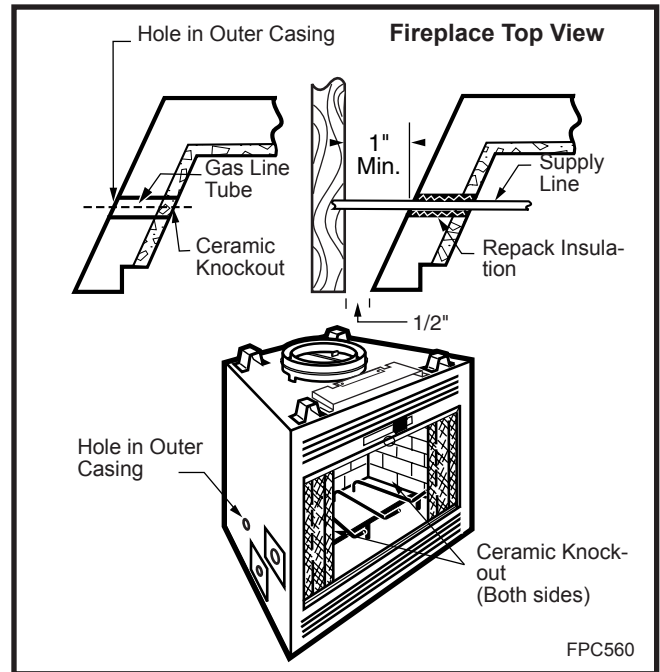


Fig. 27 Gas line access.

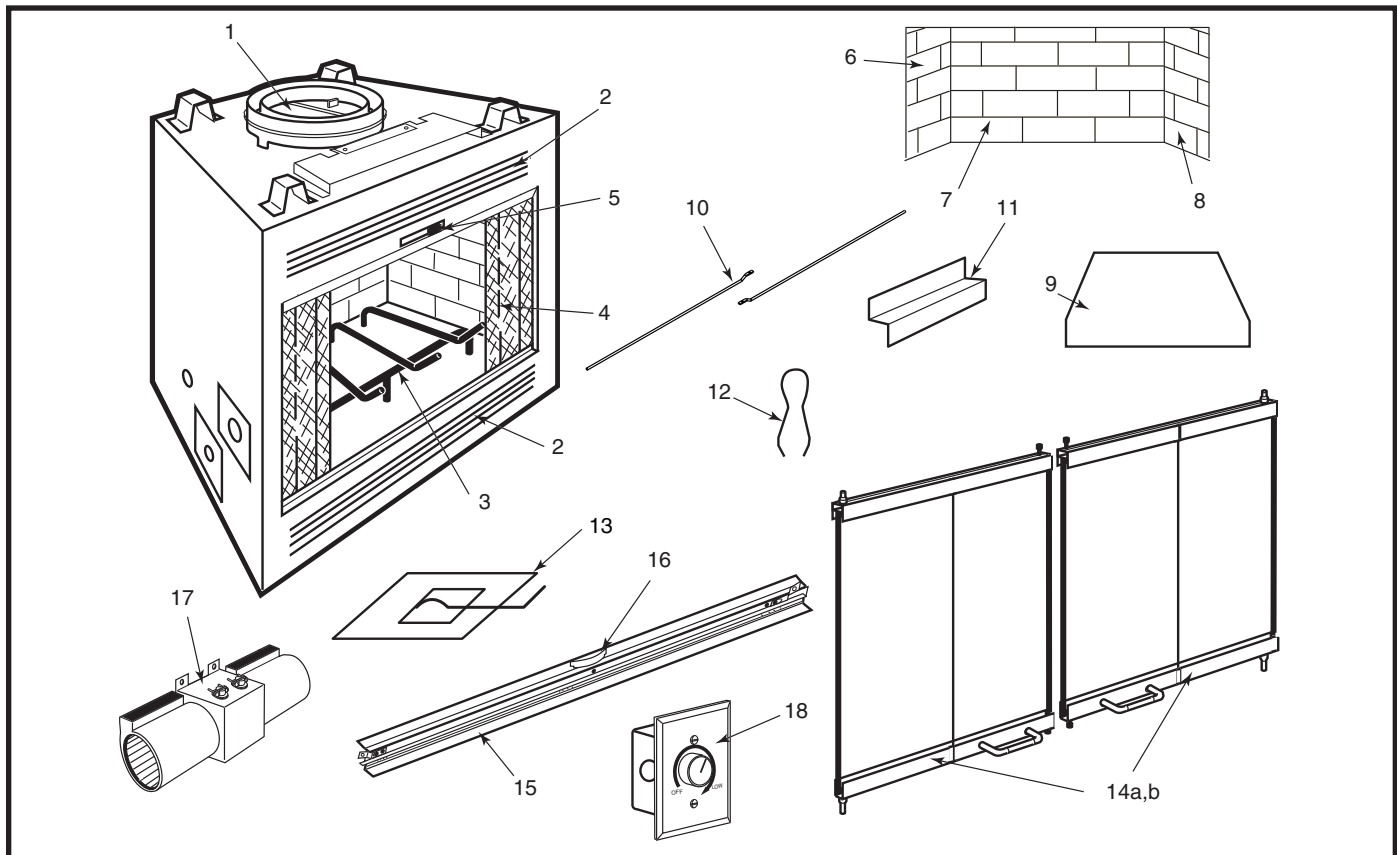
CAUTION: WHEN USING DECORATIVE GAS APPLIANCE, FLUE DAMPER MUST BE SET IN FULLY OPEN POSITION. IF YOU HAVE GLASS DOORS ON THE FIREPLACE, THEY MUST ALSO BE FULLY OPENED.

WARNING: DO NOT OPERATE AN UNVENTED GAS LOG SET IN THIS FIREPLACE WITH THE CHIMNEY REMOVED.

WARNING: WHEN INSTALLING AN UNVENTED GAS LOG SET, THE MHSC MODEL CABL OR CABR 4" ADJUSTABLE HOOD MUST BE USED.

If installing an unvented gas log set, refer to statement below:

Only unvented gas log sets which have been found to comply with the Standard for Unvented Room Heaters, ANSI Z21.11.2, are to be installed in this fireplace.



MHSC reserves the right to make changes in design, materials, specifications, prices and discontinue colors and products at any time, without notice.

CWC400/500 Woodburning Fireplace

Item/Model Number	CWC400	CWC500
1. Damper Blade	7551310	7551310
2. Grille Painted (two per fireplace)	20014533	20000714
3. Basket Grate	3041130	3041130
4. Screen (two per fireplace)	26D0131	26D0131
5. Damper Knob (Wood)	7536177	7536177
6. Firebrick - Left Side	3041104	3034102
7. Firebrick - Back	3030102	3034104
8. Firebrick - Right Side	3041105	3034103
9. Firebrick - Hearth	3041103	3034105
10. Screen Rod (two per fireplace)	26D0138	61D0500
11. Top Brick Retainers (three per fireplace)	3030172	3030172
12. Cable Clips (four per fireplace)	7512135	7512135
13. O.S.A. Assy.	20003076	20003076
14a. Door Assy. - Brass Doors	20002984	20002985
14b. Door Assy. - Black Doors	20005309	20005310
15. Door Track Assy.	20003384	20003435
16. Closure Spring	7540264	7540264
17. Blower Assembly	20000620	20000620
18. Variable Speed Control	2544900	2544900

Accessories

The following accessories for this appliance are available from your local distributor. Should you need additional information beyond what your distributor can furnish, contact: MHSC, 149 Cleveland Drive, Paris, KY 40361; Attn: Technical Services.

CAUTION: This fireplace and chimney assembly is a highly engineered system, and, as such, must be operated only with MHSC approved components. If you use an unapproved component to make any modifications, you may create a possible fire hazard and will void the MHSC warranty. In addition, such action may void the coverage provided by the owner's insurance.

Accessory	Description		Model Number
Glass Door — Optional	Bi-Fold door set	Brushed Brass finish	36GDKBB (CWC400) 42GDKBB (CWC500)
		Deluxe Polished finish	36GDKDP (CWC400) 42GDKDP (CWC500)
		Pewter finish	36GDKS (CWC400) 42GDKS (CWC500)
Outside Air Termination	Completes connection from air kit to out-of-doors		AK-MST
Chimney Adapter	Converts CWC400 to use 3-wall system		TWABR
Hearth Extension Insulation	Provides hearth extension floor protection		EH2416
Hearth Patch Compound	Patch cracks in hearth		HPC-1
OGWMC36	Optional brass trimmed, black mesh grille		20000945 (CWC400)
OGWMC42	Optional brass trimmed, black mesh grille		20000946 (CWC500)

Contact your Monessen distributor or dealer for finishing Mantels, available in a wide selection of styles.

Chimney Components

U.S.

Component	Description	Model Number
Round Top Termination (SK8)	Top used to terminate chimney at roof. (Flashing not included.)	RLTSK8
Round Top Termination - Extended (SK8)	Top used to terminate chimney at chase. (Flashing not included.)	RLTSK8L
Flashing	Metal finishing required around Contemporary Termination to prevent rain leakage.	8-6-12 with 8" flue: 0-6/12 pitch 8-12-12 with 8" flue: 6/12-12/12 pitch
Square Top Housing	Top housing of simulated brick pattern available in red, tan or white. Appropriate adapter required. Flashing included.	S20BR(Red) S20BT(Tan) S20BW(White)
Housing Extensions	Extends Square Top Housing on steep pitched roofs. (Specify red, tan or white)	202036
Square Shroud (SK8)	Square knockdown shroud for RLTSK8L chase applications. (Black)	SKDSBL
Square Chase Termination	Housing used to terminate chimney through a chase top. (Unpainted finish) Appropriate adapter (CTSK) required. (Flashing not included.)	CT100
Pyramid Shroud	Pyramid knock-down shroud for RLTSK8L chase application. (Black)	PKDSBL
Chase Top Housing (SK8)	Low profile pyramid-style chimney cap used to terminate chimney through a chase. Includes adapter. (Flashing not included.)	PLTSK8
Chase Top Housing (SK8)	Square chimney cap used to terminate chimney through a chase. Includes adapter. (Flashing not included.)	SLTSK8
SK8 Chimney Sections	Pipe used to build 8" (SK8) flue systems.	SK81 (1' Long) SK818 (1½' Long) SK83 (3' Long) SK84 (4' Long)
SK8 Chimney Elbows	Elbow used to create an offset in an 8" chimney system. Only 30° elbows available. Packaged 2 per carton (offset and return).	SK830-2
Firestop (SK8)	Required at each floor level of chimney installation. (Plus attic on multi-story installation.)	SKFS2A — (8" straight flue) SKFS6A — (8" 30° inclined flue)
Chimney Support (SK8) Chimney Sections (3-wall)	Used to support chimney for each of: 30' vertical height and 6' of angled chimney run. Pipe used build 8" (3-wall) flue systems.	SKCS8 81 (1' Long) 818 (1½' Long) 83 (3' Long) 84 (4' Long)
Chimney Elbows (3-wall)	Used to create an offset in an 8" chimney system. Only 30° elbows available. Packaged 2 per carton (offset and return).	830A-2
Round Top Termination (3-wall)	Top used to terminate chimney at roof. (Flashing not included)	RLTS8
Round Top Termination Extended (3-wall)	Top used to terminate chimney at chase. Adapter kit included. (Flashing not included)	RLTS8L

(Chimney Components con't.)

Component	Description	Model Number
Square Chase Termination	Square chimney cap used to terminate chimney through chase. Includes adapter. (Flashing material)	SLTS8
Adapter Kit	Required to unite 3-wall chimney with S20BR, S20BT, S20BW Traditional Top Housing	S20UB
Chimney Support	Used to support the chimney at each 30' of vertical height above the hearth and at every 6' of inclined chimney run. Each support adds 2½" to chimney length.	TCS8A
Firestop	Required at each floor level and attic on multi-story installation.	FS2A (8" straight flue) FS6A (8" 30° inclined flue)
Radiant Shield	Used as an alternate to FS2A firestop to reduce the clearance from the chimney to combustible framing. With 16" center lines.	RS-8A
Attic Insulation Shield (3-wall) (CF-11)	Used to prevent attic insulation from contacting the chimney system.	FS2100-HT
Canada		
Chimney Collar Enclosure (SK8)	Installs on the "over the chimney collar" of the fireplace; provides outside air to assist in cooling the chimney system.	CCE-SK
Attic Insulation Shield (SK8)	Used to prevent insulation from coming in contact with the chimney system.	AIS-SK
SK8 Chimney Sections	Used to build chimney systems exposed above roof.	SK818CAN (1½' Long) SK84CAN (4' Long)
45° Chimney Elbows	Provides 45° offset and return. For Canadian installations only. For use with SK8 chimney only. (Maximum use of 2, or 1 pair.)	SK845/2
Chimney Sections (3-wall)	Used to build chimney systems exposed above roof.	8" flue 818CAN (1½' Long) 84CAN (4' Long)
Attic Insulation Shield (3-wall) (CF-11)	Used to prevent attic insulation from contacting the chimney system.	FS2100-HT

LIMITED WARRANTY

Factory-Build Fireplace and Components (Except Blowers)

What is Covered and For How Long

Five-Year Coverage: For five years from the date this fireplace and components are first purchased for use, MHSC will, at its option, repair or replace any defective part of this fireplace or components, or refund to you a sum not to exceed the factory retail price in effect at the time of purchase.

Ten-Year Coverage: From the sixth through the tenth year following the date this fireplace or accessory is first purchased for use, MHSC will make available to you, at our factory, a free replacement for any defective part in this fireplace or accessory.

Twenty-Five-Year Availability of Replacement Parts: From the eleventh through the twenty-fifth year following the date this fireplace or accessory is first purchased for use, MHSC will make available at our factory replacement parts for this fireplace or accessory, which you may purchase for the list price current at the time your purchase order is received.

What is Not Covered

- This limited warranty does not cover:
- Transportation or shipping cost.
- The cost of a service call to diagnose trouble.
- Painted surfaces.
- Damage or defect caused by improper installation, accident, misuse, abuse or alteration.
- Poor ventilation of smoke or gases caused by air-conditioning and heating systems, exhaust fans, or pressure differentials produced by wind.
- Broken glass components.
- Cracks in ceramic and castable parts that do not affect safe operation.
- We do not warrant this fireplace to be in compliance with your local building code. Building codes vary greatly throughout the country, and you should determine whether your local building code contains restrictions on the use of this fireplace before you purchase it.
- Blowers or fans, which are warranted separately.
- Heat loss due to the passage of heat or air through or around the fireplace.

Also, under our five year coverage, we do not pay the cost of removal and replacement of any portion of the structure in which the fireplace is situated, made necessary by the repair, removal or re-installation of the fireplace.

And under our twenty-five year warranty of availability of replacement parts, we only promise to maintain a supply of replacement parts at our factory for you to purchase.

Limitations and Exclusions

1. No one has authority to add to or vary this limited warranty, or to create for MHSC any other obligations of liability in connection with this fireplace and accessory.
2. MHSC shall not be liable for incidental, consequential, special or contingent damages you might suffer as a result of its breach of this written warranty or any implied warranty. Some states do not allow the exclusion of limitation of incidental or consequential damages, so the above limitations may not apply to you.
3. This warranty applies only to a fireplace sold and used in the United States.

For information about this warranty, contact:

MHSC
149 Cleveland Drive
Paris, Kentucky 40361

MHSC

149 Cleveland Drive • Paris, Kentucky 40361
www.mhsc.com