

This Owner's Manual is provided and hosted by [Appliance Factory Parts](#).



COMFORT-AIRE PTAC12A130BSC Owner's Manual

[Shop genuine replacement parts for COMFORT-AIRE
PTAC12A130BSC](#)



[Find Your COMFORT-AIRE HVAC Parts - Select From 1486 Models](#)

----- Manual continues below -----

Comfort-Aire®

Century®

MARS
Delivering Confidence

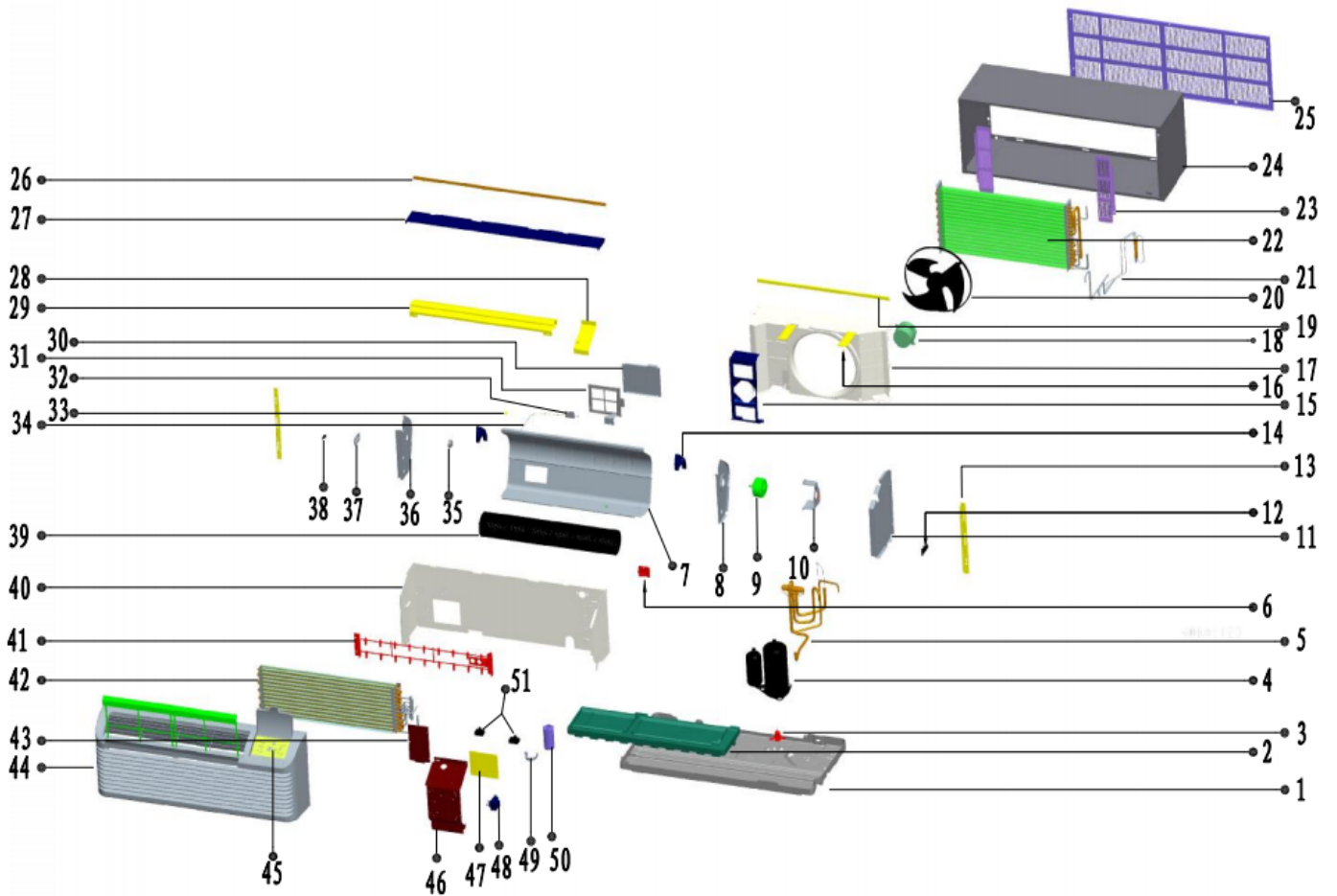
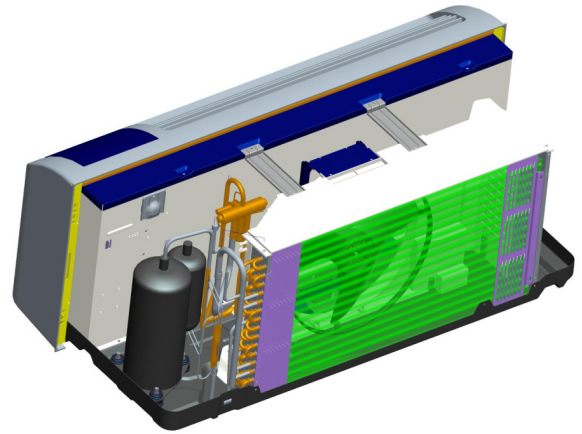
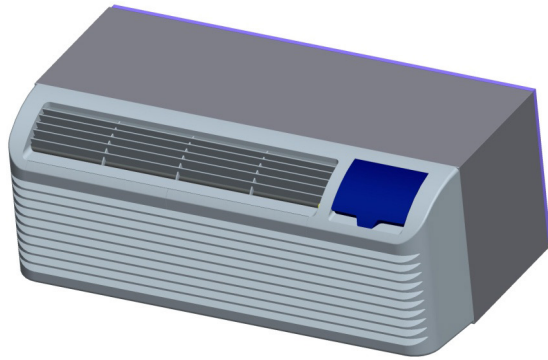
REPLACEMENT PARTS LIST

Packaged Terminal Air Conditioner & Heat Pump

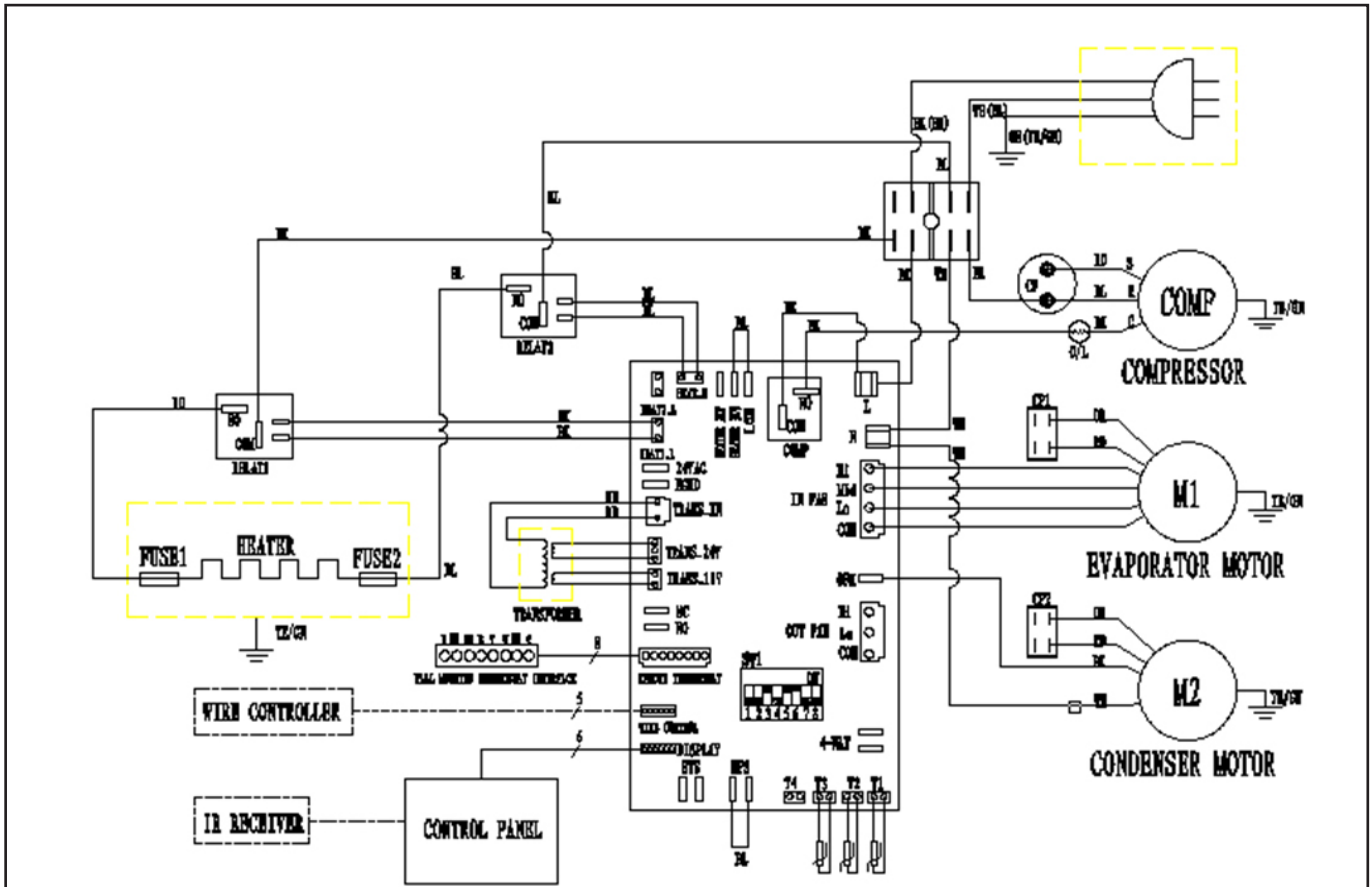
Cooling with Electric Heat

PTAC12A130B

Exploded View



Wiring Diagram



CP1 = EVAPORATOR MOTOR CAPACITOR
 CP2 = CONDENSER MOTOR CAPACITOR

| SELECTOR SWITCH | | WIRE COLOR CODE | | CIRCUIT DIAGRAM | | |
|-----------------|---------------------------------------|-----------------|----------------------|-----------------|--------|-------|
| SW1.1 | Hydronic Heat Enable/Disable | BL | BLUE | | WH | WHITE |
| SW1.2 | Heat Pump Enable/Disable | BR | BROWN | | RD | RED |
| SW1.3 | Electric Heat Enable/Disable | GN | GREEN | BK | BLACK | |
| SW1.4 | Gas Heat Enable/Disable | OR | ORANGE | YH | YELLOW | |
| SW1.5 | Room Freeze Protection Enable/Disable | | | | | |
| SW1.6 | Electric Memory Enable/Disable | | | | | |
| SW1.7 | Fan CON/CYC for heating | | | | | |
| SW1.8 | Fan CYC/COM for cooling | | | | | |
| | | DATE | DWG. NO. | NO. | | |
| | | 2016-03-31 | CPS-092811-C-7.EM-1A | 0 | | |

Replacement Parts List

| Location | Description | Part No. | Qty. |
|----------|---|---------------------------|------|
| 1 | Pan components | 801220890180 | 1 |
| 3 | Foam water pan | 802220890006 | 1 |
| 4 | Compressor | 801401600026 | 1 |
| 5 | 4-way reversing valve assy | 801620890457 | 1 |
| 6 | Line press plate | 801120890008 | 1 |
| 7 | Air duct | 801220890153 | 1 |
| 8 | Right side board assy of air duct | 801220890157 | 1 |
| 9 | Indoor single-axle motor | 802400300023 | 1 |
| 10 | Indoor motor support | 801220890158 | 1 |
| 11 | E-box left side board assy | 801220890159 | 1 |
| 12 | Groove clamp | 801120890015 | 1 |
| 13 | Left and right fixing clamp components | 801220890167/801220890170 | 1 |
| 14 | Left and right parts of air duct | 801120890013/801120890014 | 1 |
| 15 | Outdoor motor support | 801220890144 | 1 |
| 16 | Connection plate | 801220890166 | 2 |
| 17 | Wind inlet guide | 801120890019 | 1 |
| 18 | Outdoor single-axle motor | 802400400651 | 1 |
| 19 | wind inlet guide connection plate | 801220890190 | 1 |
| 20 | Propeller fan | 801120890009 | 1 |
| 22 | Condenser | 801520890038 | 1 |
| 23 | Grill | 801220890146 | 2 |
| 24 | Wall sleeve assembly | 801220890203 | 1 |
| 25 | Grille assembly | 801220690038 | 1 |
| 25.1 | Architecture Grille installation assembly | 801120690007 | 5 |
| 25.2 | Architecture Grille | 801220690019 | 1 |
| 26 | Panel fixed plate parts | 801220890164 | 1 |
| 27 | Top cover | 801220890179 | 1 |
| 28 | Seal board 2 | 801220890177 | 1 |
| 29 | Air outlet | 801220890172 | 1 |
| 30 | Fresh air inlet cover | 801220890150 | 1 |
| 31 | Fresh air inlet filter | 801120890010 | 1 |
| 32 | Fresh air inlet support | 801220890151 | 2 |
| 33 | Fresh air inlet groove clamp | 801120890017 | 1 |
| 34 | Fresh air inlet spring and tube | 802920890004/801120890028 | 1 |
| 35 | Fixing board of bearing holder | 802720890002/801220890156 | 1 |
| 36 | Left side board assy of air duct | 801220890155 | 1 |
| 37 | Fresh air inlet rail | 801120890012 | 1 |
| 38 | Fresh air inlet lever | 801120890011 | 1 |
| 39 | Cross-flow fan | 802920890005 | 1 |
| 40 | Septum plate assy | 801220890148 | 1 |
| 41 | Electric heater | 802402000111 | 1 |
| 42 | Evaporator | 801520890039 | 1 |
| 43 | Seal board 1 | 801220890175 | 1 |
| 44 | Panel Assembly | 801120890020 | 1 |
| 44.1 | Panel | 801120890021 | 1 |
| 44.2 | Panel fixed buckle | 801220890192 | 2 |
| 44.3 | Cover filter for all model | 801120890022 | 2 |
| 44.4 | filter guide rail | 801120890023 | 1 |
| 44.5 | Air outlet grille | 801120890024 | 1 |
| 44.6 | Control panel | 80112089A025 | 1 |

Replacement Parts List (continued)

| Location | Description | Part No. | Qty. |
|----------|--|---------------------------|--------|
| 45 | Control board assy | 803320890024 | 1 |
| 45.1 | Electrical box | 801120890026 | 1 |
| 45.2 | control mask | 8020208A0156 | 1 |
| 45.3 | Control board | 803300400018 | 1 |
| 46 | Electrical box flip | 801220890162 | 1 |
| 47 | PCB | 803300301016 | 1 |
| 48 | Transformer | 802300200068 | 1 |
| 49 | Capacitor clamp | 801200100002 | 1 |
| 50 | Compressor capacitor | 802401000039 | 1 |
| 51 | Indoor motor capacitor/Outdoor motor capacitor | 802419900166/802401100039 | 1 |
| 52 | Air outlet protection grid | 802920890003 | 1 |
| 53 | Remote set | 803300190040 | 1 |
| 54 | Indoor temp. sensor | 802300400077 | 1 |
| 55 | Outdoor temp. sensor | 802300400129 | 1 |
| 56 | Air return temp. sensor | 802300400128 | 1 |
| 57 | LCDI power cord | 802420690015 | 1 |
| 58 | Compressor connecting wire | 802421290011 | 1 |
| 59 | Refrigerant | 800500100004 | 0.95KG |
| - | Comfort-Aire control panel cover | 80112089A025 | 1 |
| - | Century control panel cover | 80112089B025 | 1 |
| - | Plain control panel cover | 801120890025 | 1 |
| - | Wired Thermostat Harness | 802420890009 | 1 |

Due to ongoing product improvements, specifications and dimensions are subject to change and correction without notice or incurring obligations. Determining the application and suitability for use of any product is the responsibility of the installer. Additionally, the installer is responsible for verifying dimensional data on the actual product prior to beginning any installation preparations.

Incentive and rebate programs have precise requirements as to product performance and certification. All products meet applicable regulations in effect on date of manufacture; however, certifications are not necessarily granted for the life of a product. Therefore, it is the responsibility of the applicant to determine whether a specific model qualifies for these incentive/rebate programs.

Comfort-Cire® **Century**®

1900 Wellworth Ave., Jackson, MI 49203 • Ph. 517-787-2100 • www.marsdelivers.com

