
Comfort-Aire®

Century®

MARS®
Delivering Confidence

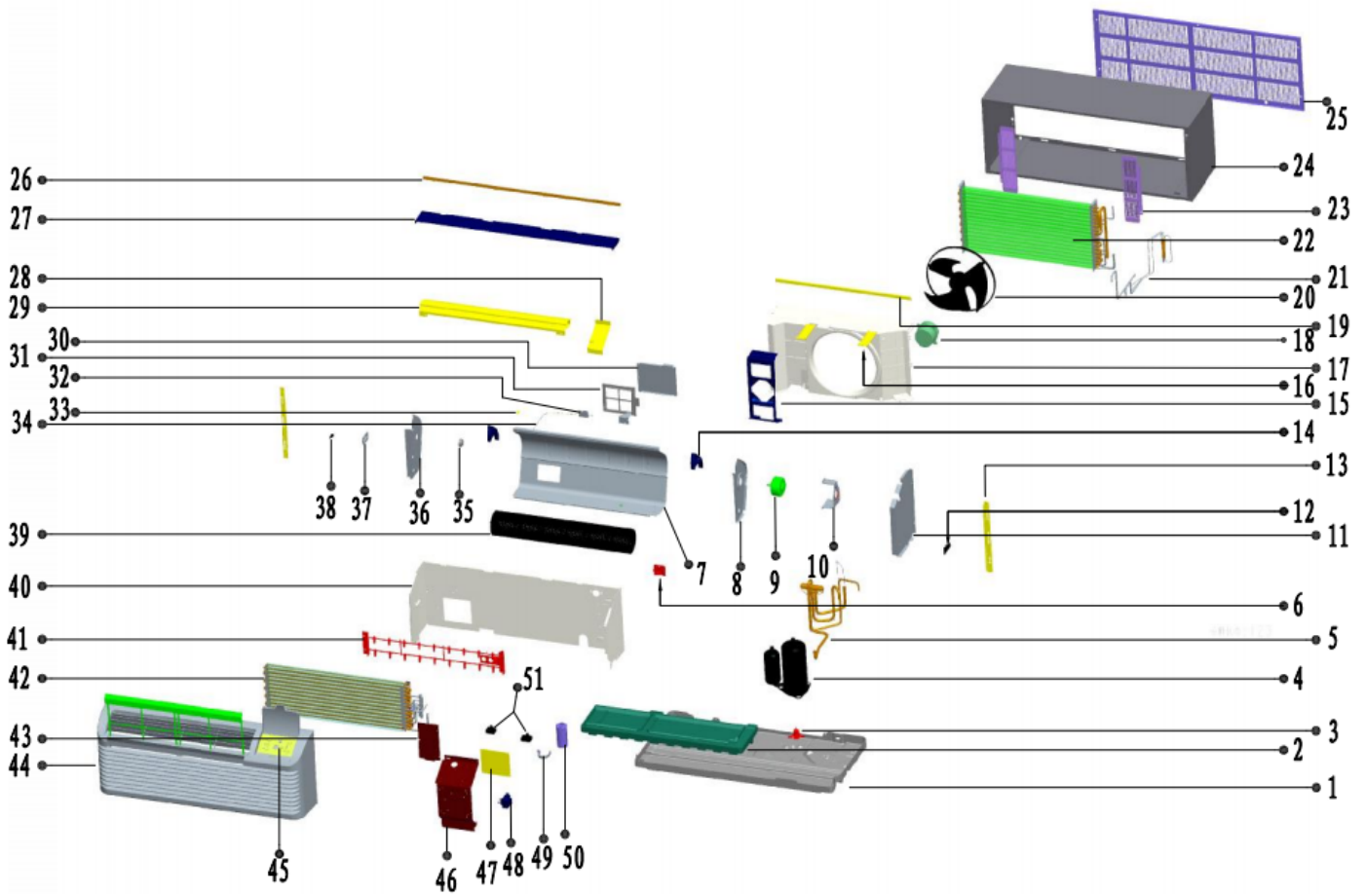
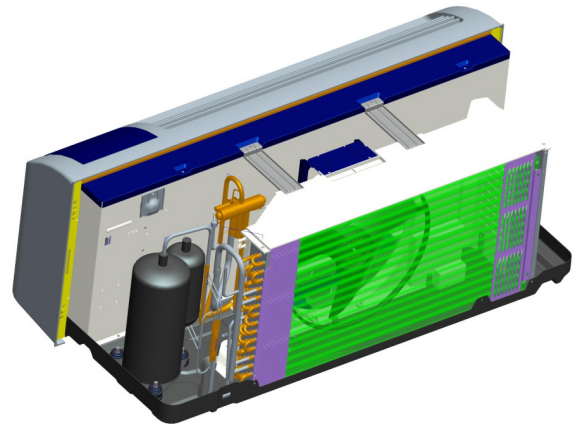
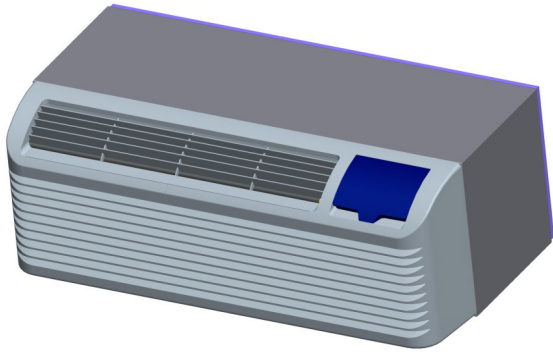
REPLACEMENT PARTS LIST

Packaged Terminal Air Conditioner & Heat Pump

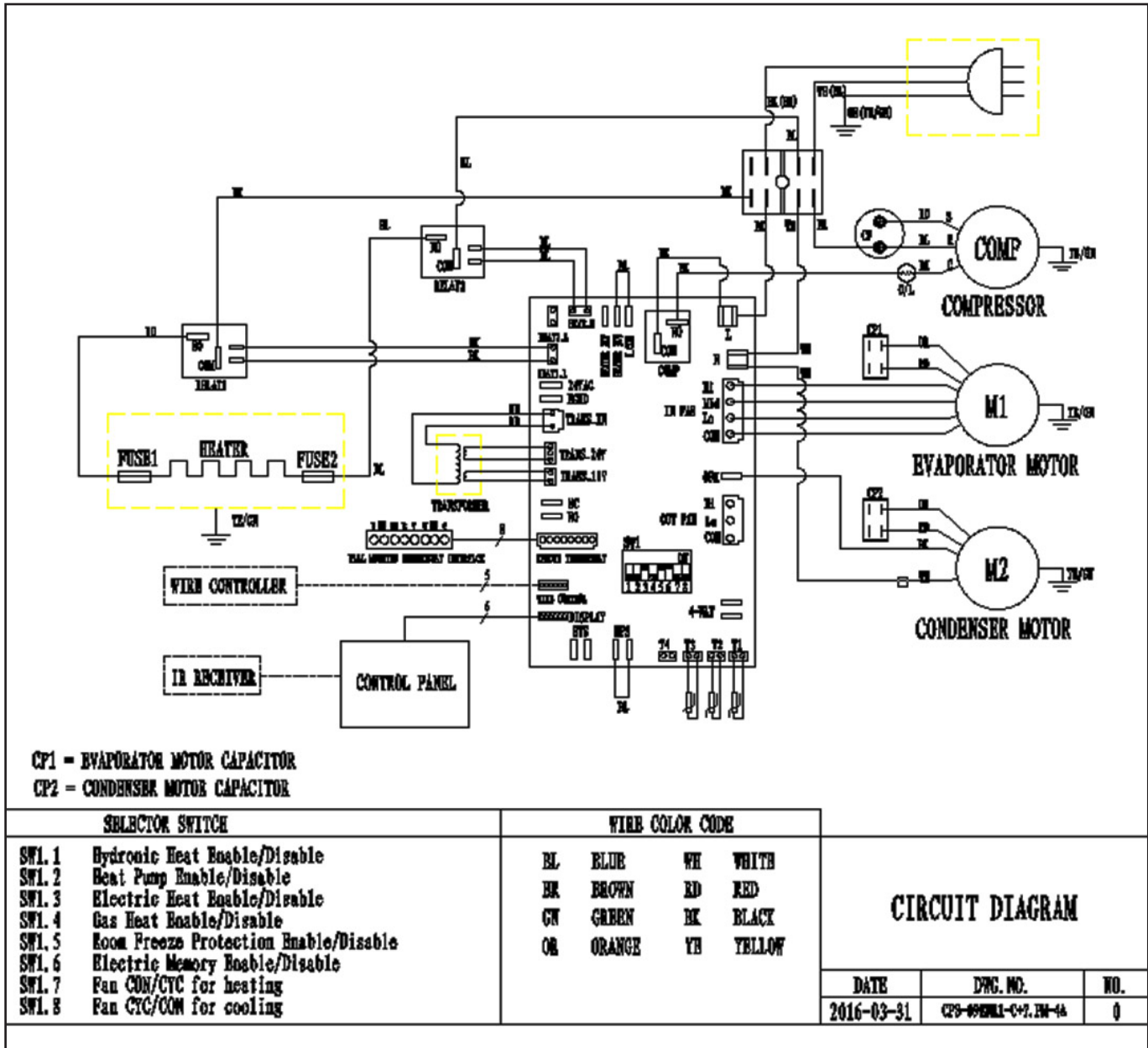
Cooling with Electric Heat

PTAC12A150B

Exploded View



Wiring Diagram



Replacement Parts List

Location	Description	Part No.	Qty.
1	Pan components	801220890180	1
3	Foam water pan	802220890006	1
4	Compressor	801401600026	1
5	4-way reversing valve assy	801620890457	1
6	Line press plate	801120890008	1
7	Air duct	801220890153	1
8	Right side board assy of air duct	801220890157	1
9	Indoor single-axle motor	802400300023	1
10	Indoor motor support	801220890158	1
11	E-box left side board assy	801220890159	1
12	Groove clamp	801120890015	1
13	Left and right fixing clamp components	801220890167/801220890170	1
14	Left and right parts of air duct	801120890013/801120890014	1
15	Outdoor motor support	801220890144	1
16	Connection plate	801220890166	2
17	Wind inlet guide	801120890019	1
18	Outdoor single-axle motor	802400400651	1
19	wind inlet guide connection plate	801220890190	1
20	Propeller fan	801120890009	1
22	Condenser	801520890038	1
23	Grill	801220890146	2
24	Wall sleeve assembly	801220890203	1
25	Grille assembly	801220690038	1
25.1	Architecture Grille installation assembly	801120690007	5
25.2	Architecture Grille	801220690019	1
26	Panel fixed plate parts	801220890164	1
27	Top cover	801220890179	1
28	Seal board 2	801220890177	1
29	Air outlet	801220890172	1
30	Fresh air inlet cover	801220890150	1
31	Fresh air inlet filter	801120890010	1
32	Fresh air inlet support	801220890151	2
33	Fresh air inlet groove clamp	801120890017	1
34	Fresh air inlet spring and tube	802920890004/801120890028	1
35	Fixing board of bearing holder	802720890002/801220890156	1
36	Left side board assy of air duct	801220890155	1
37	Fresh air inlet rail	801120890012	1
38	Fresh air inlet lever	801120890011	1
39	Cross-flow fan	802920890005	1
40	Septum plate assy	801220890148	1
41	Electric heater	802402000104	1
42	Evaporator	801520890039	1
43	Seal board 1	801220890175	1
44	Panel Assembly	801120890020	1
44.1	Panel	801120890021	1
44.2	Panel fixed buckle	801220890192	2
44.3	Cover filter for all model	801120890022	2
44.4	filter guide rail	801120890023	1
44.5	Air outlet grille	801120890024	1
44.6	Control panel	80112089A025	1

Replacement Parts List (continued)

Location	Description	Part No.	Qty.
45	Control board assy	803320890024	1
45.1	Electrical box	801120890026	1
45.2	control mask	8020208A0156	1
45.3	Control board	803300400018	1
46	Electrical box flip	801220890162	1
47	PCB	803300301016	1
48	Transformer	802300200068	1
49	Capacitor clamp	801200100002	1
50	Compressor capacitor	802401000039	1
51	Indoor motor capacitor/Outdoor motor capacitor	802419900166/802401100039	1
52	Air outlet protection grid	802920890003	1
53	Remote set	803300190040	1
54	Indoor temp. sensor	802300400077	1
55	Outdoor temp. sensor	802300400129	1
56	Air return temp. sensor	802300400128	1
57	LCDI power cord	802420690014	1
58	Compressor connecting wire	802421290011	1
59	Refrigerant	800500100004	0.95KG
-	Comfort-Aire control panel cover	80112089A025	1
-	Century control panel cover	80112089B025	1
-	Plain control panel cover	801120890025	1
-	Wired Thermostat Harness	802420890009	1

Due to ongoing product improvements, specifications and dimensions are subject to change and correction without notice or incurring obligations. Determining the application and suitability for use of any product is the responsibility of the installer. Additionally, the installer is responsible for verifying dimensional data on the actual product prior to beginning any installation preparations.

Incentive and rebate programs have precise requirements as to product performance and certification. All products meet applicable regulations in effect on date of manufacture; however, certifications are not necessarily granted for the life of a product. Therefore, it is the responsibility of the applicant to determine whether a specific model qualifies for these incentive/rebate programs.

Comfort-Cire®  **Century**®

1900 Wellworth Ave., Jackson, MI 49203 • Ph. 517-787-2100 • www.marsdelivers.com

