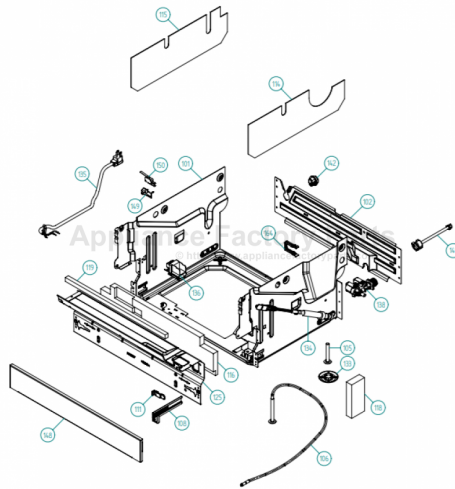


This Owner's Manual is provided and hosted by [Appliance Factory Parts](#).



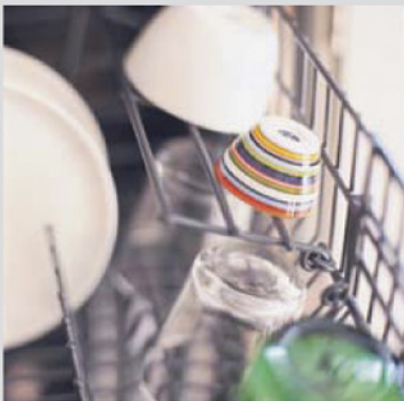
ASKO D5893XXLHS Owner's Manual

[Shop genuine replacement parts for ASKO
D5893XXLHS](#)



[Find Your ASKO Dishwasher Parts - Select From 209 Models](#)

----- Manual continues below -----



ASKO
BUILT TO LAST LONGER

Spare Parts Catalogue

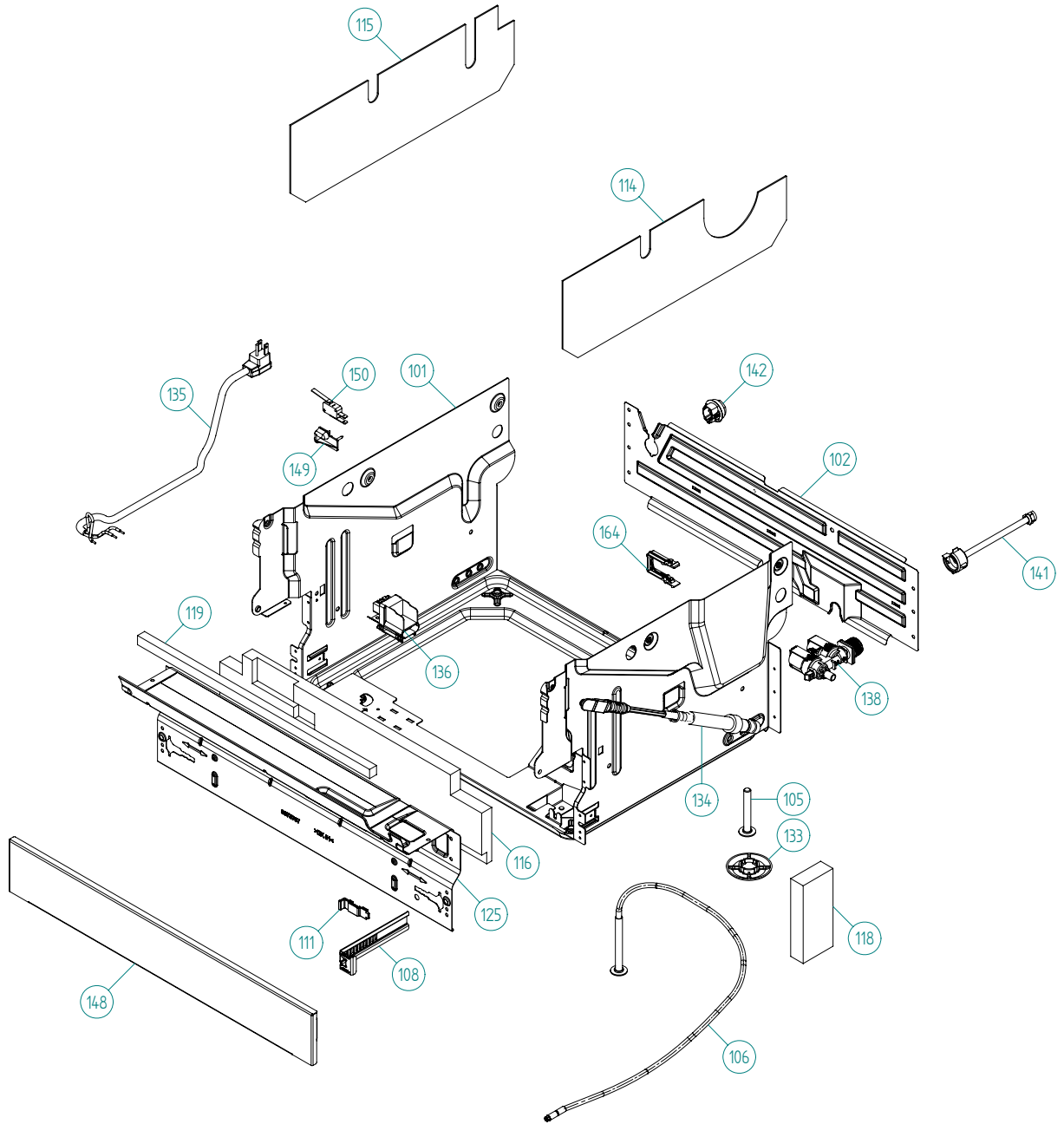
ASKO Dishwashers \ ASKO 5000 XXL Series
Type: DW70.4
Model: D5893 US SS

Prod. No: 1075893121

April 24th 2012

ASKO Appliances Inc.

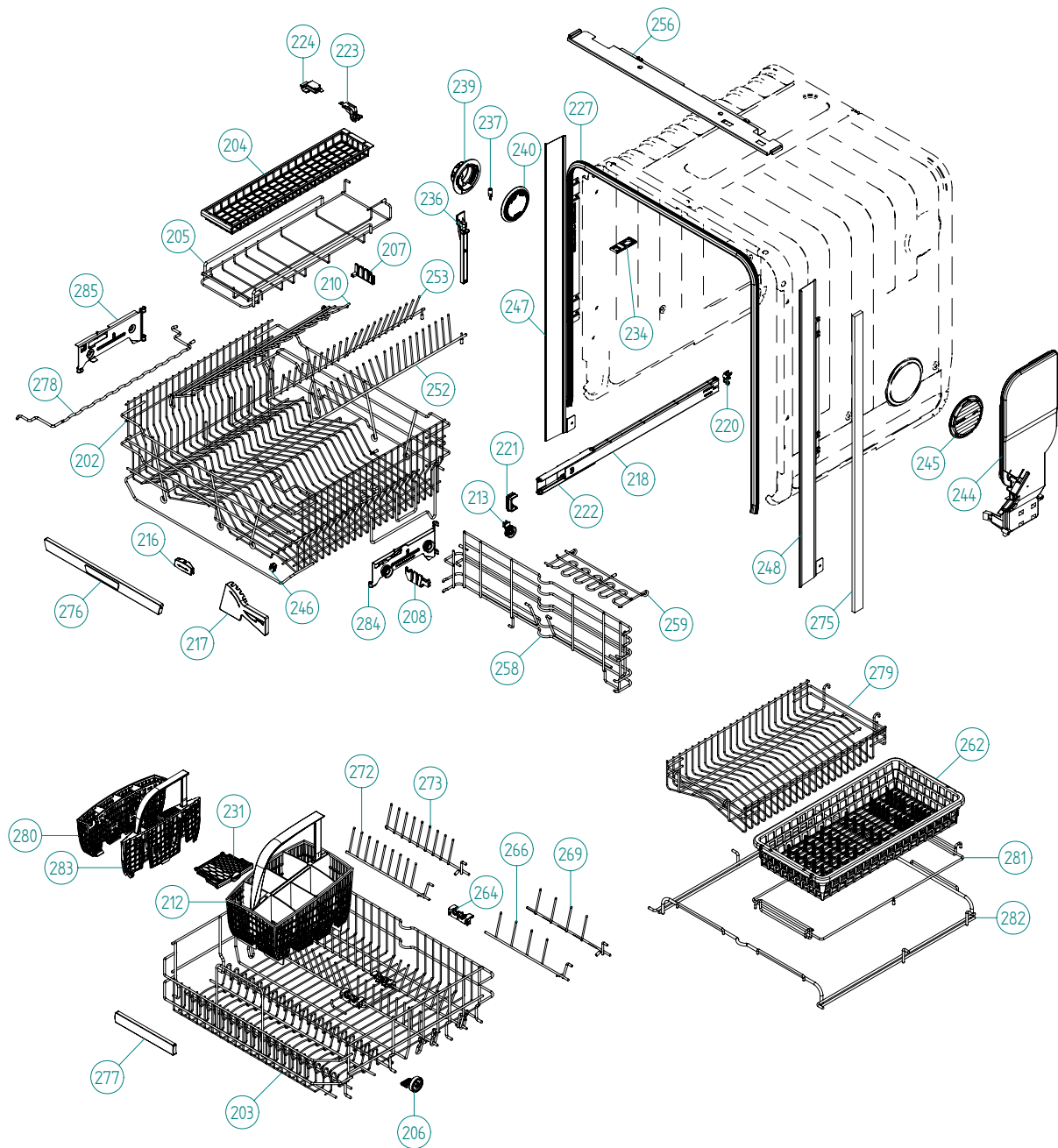
4001 E Plano Parkway #1004001 E Plano Parkway #100
Plano, Texas 75074



Base and related parts

ASKO, D5893 US - SS (DW70.4)

Pos	Spare part No.	Description	Qty	Comment
101	8801387	BOTTOM OUTER COMPL.	1 Pc's	
101-a	8901104	Screw 20 Torx Machine	2 Pc's	
101-b	8901110	Screw w/ORing DW 05/06 25T	4 Pc's	
102	8078006	REAR PANEL	1 Pc's	
105	8074228	Leveling Foot M10X75 T30 8.8 FZB	2 Pc's	
106	8082222	FOOT ADJUSTABLE FROM FRONT CPL	1 Pc's	
108	8073480	Toe Kick bracket Right & Left	2 Pc's	
111	8073481-49	Toe Kick Bracket Clip L-Grey	2 Pc's	
114	8078109	SOUND ABSORP. SELF AD. RIGHT	1 Pc's	
115	8078108	SOUND ABSORP. SELF AD. LEFT	1 Pc's	
116	8078114	SOUND ABSORBENT GUARD PLATE	1 Pc's	
118	8078112	SOUND AB.BLOCK BOTTOM OUTER	2 Pc's	
119	8078122	SOUND ABSORPTION PROFILE	1 Pc's	
125	8078008	GUARD PLATE STRAIGHT	1 Pc's	
133	8051957	Glide Foot	3 Pc's	
134	8079528	Door Spring-DW70-Yellow	1 Pc's	
134	8079529	Door Spring-DW70-Red	1 Pc's	
135	8083262	CORD SET 15A AMERICA	1 Pc's	
135	8079046	CORD SET AMERICA	1 Pc's	
137	8083041	Terminal Block w/RFI DW70	1 Pc's	
137-a	8901097	Screw Terminal	1 Pc's	
138	8801374	KIT INL.VALVE/LOCKARM SEC.120V	1 Pc's	
138-a	8079597	LOCK ARM INLET VALVE	1 Pc's	
141	8079522	PEX Inlet hose DW	1 Pc's	
142	8006948	Grommet	1 Pc's	
144	8074585	Felt Kick Plate 05	1 Pc's	
148	8073506-81	kick plate metallic	1 Pc's	
149	8054907	BRACKET LAMP SWITCH	1 Pc's	
149-a	8902087	Screw Plastic Housing 20 Torx	1 Pc's	
150	8073834	MICROSWITCH LIGHTING	1 Pc's	
162	8079832	CABLE HOLDER SRC-8-01	1 Pc's	
163	8078113	SOUND ABSORPTION REARPANEL	1 Pc's	
164	8079597	LOCK ARM INLET VALVE	1 Pc's	
165	8078013	DOOR SPRING HOLDER	1 Pc's	
165-a	8902362	SCREW RTK ST 4,2X9,5 FZB WAX.	1 Pc's	



Baskets and related parts

ASKO, D5893 US - SS (DW70.4)

Pos	Spare part No.	Description	Qty	Comment
201	8057056	-	1 Pc's	Not a spare part
202	8801358-36	UPPER BASKET EXCL. COMPL. H&L	1 Pc's	
203	8801316-36	LOWER BASKET EXCL D.GREY 07	1 Pc's	New design
204	8053376-77	Long Rack Silverware Upper	1 Pc's	
205	8057058-36	Knife Basket D-Grey	1 Pc's	
206	8079257-77	WHEEL FOR LOW DISHW BASKET CPL	8 Pc's	
207	8057505-77	Knife Holder DW 05/06	1 Pc's	
208	8071214-77	Knife Holder 05/06 DW	2 Pc's	
210	8071337-36	Cup Shelf Wine Glass 05/06 DW	1 Pc's	
212	8801396-77	Cutlery Bskt for Stnd Tines	1 Pc's	
213	8058498-77	Upper Basket Wheel	4 Pc's	
216	8072553-77	BRACKET PIN ROW UPPER BASKET	1 Pc's	
217	8072554-77	KNIFE GUARD	1 Pc's	
218	8801350	DW Upper Basket Guide Rail Kit	2 Pc's	
220	8057978-77	DW Rail Stop - Back Grey	2 Pc's	
221	8088703-77	BASKET STOP	2 Pc's	
222	8801349-77	KIT BALL HOLDER INCL. BALLS	1 Pc's	
223	8057502	Clip Upper Knife Rack DW	1 Pc's	
224	8058453	Clip Knife Basket 1800s DW	1 Pc's	
225	8057978-77	DW Rail Stop - Back Grey	2 Pc's	
227	8057489-F	DOOR STRIP XXL DW70	1 Pc's	
231	8079251-77	DOOR CUTLERYBASKET UL4	1 Pc's	
234	8070649	Lock Hitch Int	1 Pc's	
234-a	8070654	Lock Washer Int	1 Pc's	
234-b	8901104	Screw 20 Torx Machine	1 Pc's	
236	8076590	CABLE BAR LONG	1 Pc's	
237	8073830	Halogen Lamp	1 Pc's	
239	8072426	Lamp Guard	1 Pc's	
239-a	8901765	ORing det Comp 03/04 DW	1 Pc's	
240	8072425	Lamp Chimney	1 Pc's	
244	8078300	AIRBREAK STD. DW70 UL4	1 Pc's	
245	8057536-77	LOCKRING AIREBREAKER GREY	1 Pc's	
246	8075350	Clip for Knife Guard	1 Pc's	
247	8074342-E-90	Trim Strip Left XXL SS	1 Pc's	
247-a	8900646	Screw 20 Torx SS	2 Pc's	
248	8074343-E-90	Trim Strip Right XXL SS	1 Pc's	
248-a	8900646	Screw 20 Torx SS	2 Pc's	
252	8072552-36	PLATERACK RIGHT U-BASKET	1 Pc's	
253	8072551-36	PLATERACK LEFT U-BASKET	1 Pc's	
256	8075663-90	Top Trim Rail Low Stainless	1 Pc's	
258	8801333-36	WINEGLASS SHELF LOWER BASKET	1 Pc's	
259	8076619-36	wine glass cup shelf divider	2 Pc's	
262	8083376-77	INSERT CUTLERY BASKET MIDDLE	1 Pc's	
264	8076632-77	Holder	3 Pc's	
266	8079130-36	PlateRack short/wide R-FT	1 Pc's	
269	8079131-36	PlateRack short/wide R-BK	1 Pc's	
272	8079123-36	PlateRack short/narrow L-FT	1 Pc's	
273	8079124-36	PlateRack short/narrow L-BK	1 Pc's	
275	8070614	SEALING STRIPE TRIM STRIPE USA	2 Pc's	
276	8801330-77	HANDLE U-BASKET COMPL. ASKO	1 Pc's	
277	8801332-77	HANDLE LOWER BASKET COMPL.	1 Pc's	
278	8072764-36	GLASS SUPPORT D-GREY	1 Pc's	
278	8079144-36	GLASS SUPPORT D-GREY	1 Pc's	
279	8079255-36	INSERT BOWL BASKET DW70	1 Pc's	
280	8079589-77	MINI BASKET	2 Pc's	
281	8083393-36	RACK CUTLERY BASKET	1 Pc's	
282	8079253-36	MIDDLE BASKET DW70	1 Pc's	
283	8079590-77	HANDLE MINI BASKET	1 Pc's	
284	8079138	Basket Adj Bracket Right	1 Pc's	
285	8079139	Basket Adj Bracket Left	1 Pc's	

Baskets and related parts

ASKO, D5893 US - SS (DW70.4)
Pos Spare part No. Description

Qty Comment

Baskets and related parts

ASKO, D5893 US - SS (DW70.4)

Pos	Spare part No.	Description	Qty	Comment
201	8057056	-	1 Pc's	Not a spare part
202	8801358-36	UPPER BASKET EXCL. COMPL. H&L	1 Pc's	
203	8801316-36	LOWER BASKET EXCL D.GREY 07	1 Pc's	New design
204	8053376-77	Long Rack Silverware Upper	1 Pc's	
205	8057058-36	Knife Basket D-Grey	1 Pc's	
206	8079257-77	WHEEL FOR LOW DISHW BASKET CPL	8 Pc's	
207	8057505-77	Knife Holder DW 05/06	1 Pc's	
208	8071214-77	Knife Holder 05/06 DW	2 Pc's	
210	8071337-36	Cup Shelf Wine Glass 05/06 DW	1 Pc's	
212	8801396-77	Cutlery Bskt for Stnd Tines	1 Pc's	
213	8058498-77	Upper Basket Wheel	4 Pc's	
216	8072553-77	BRACKET PIN ROW UPPER BASKET	1 Pc's	
217	8072554-77	KNIFE GUARD	1 Pc's	
218	8801350	DW Upper Basket Guide Rail Kit	2 Pc's	
220	8057978-77	DW Rail Stop - Back Grey	2 Pc's	
221	8088703-77	BASKET STOP	2 Pc's	
222	8801349-77	KIT BALL HOLDER INCL. BALLS	1 Pc's	
223	8057502	Clip Upper Knife Rack DW	1 Pc's	
224	8058453	Clip Knife Basket 1800s DW	1 Pc's	
225	8057978-77	DW Rail Stop - Back Grey	2 Pc's	
227	8057489-F	DOOR STRIP XXL DW70	1 Pc's	
231	8079251-77	DOOR CUTLERYBASKET UL4	1 Pc's	
234	8070649	Lock Hitch Int	1 Pc's	
234-a	8070654	Lock Washer Int	1 Pc's	
234-b	8901104	Screw 20 Torx Machine	1 Pc's	
236	8076590	CABLE BAR LONG	1 Pc's	
237	8073830	Halogen Lamp	1 Pc's	
239	8072426	Lamp Guard	1 Pc's	
239-a	8901765	ORing det Comp 03/04 DW	1 Pc's	
240	8072425	Lamp Chimney	1 Pc's	
244	8078300	AIRBREAK STD. DW70 UL4	1 Pc's	
245	8057536-77	LOCKRING AIREBREAKER GREY	1 Pc's	
246	8075350	Clip for Knife Guard	1 Pc's	
247	8074342-E-90	Trim Strip Left XXL SS	1 Pc's	
247-a	8900646	Screw 20 Torx SS	2 Pc's	
248	8074343-E-90	Trim Strip Right XXL SS	1 Pc's	
248-a	8900646	Screw 20 Torx SS	2 Pc's	
252	8072552-36	PLATERACK RIGHT U-BASKET	1 Pc's	
253	8072551-36	PLATERACK LEFT U-BASKET	1 Pc's	
256	8075663-90	Top Trim Rail Low Stainless	1 Pc's	
258	8801333-36	WINEGLASS SHELF LOWER BASKET	1 Pc's	
259	8076619-36	wine glass cup shelf divider	2 Pc's	
262	8083376-77	INSERT CUTLERY BASKET MIDDLE	1 Pc's	
264	8076632-77	Holder	3 Pc's	
266	8079130-36	PlateRack short/wide R-FT	1 Pc's	
269	8079131-36	PlateRack short/wide R-BK	1 Pc's	
272	8079123-36	PlateRack short/narrow L-FT	1 Pc's	
273	8079124-36	PlateRack short/narrow L-BK	1 Pc's	
275	8070614	SEALING STRIPE TRIM STRIPE USA	2 Pc's	
276	8801330-77	HANDLE U-BASKET COMPL. ASKO	1 Pc's	
277	8801332-77	HANDLE LOWER BASKET COMPL.	1 Pc's	
278	8072764-36	GLASS SUPPORT D-GREY	1 Pc's	
278	8079144-36	GLASS SUPPORT D-GREY	1 Pc's	
279	8079255-36	INSERT BOWL BASKET DW70	1 Pc's	
280	8079589-77	MINI BASKET	2 Pc's	
281	8083393-36	RACK CUTLERY BASKET	1 Pc's	
282	8079253-36	MIDDLE BASKET DW70	1 Pc's	
283	8079590-77	HANDLE MINI BASKET	1 Pc's	
284	8079138	Basket Adj Bracket Right	1 Pc's	
285	8079139	Basket Adj Bracket Left	1 Pc's	

Baskets and related parts

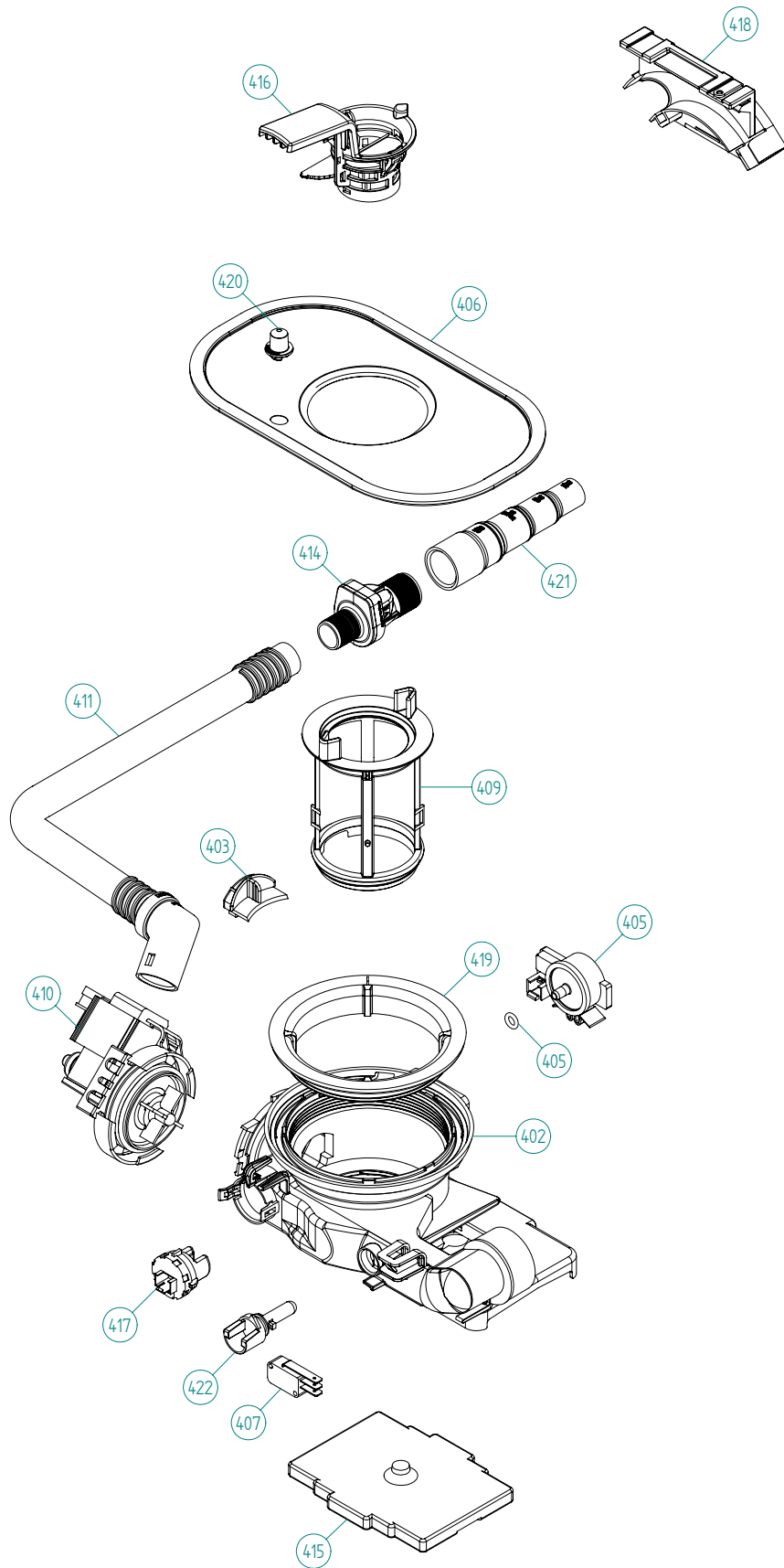
ASKO, D5893 US - SS (DW70.4)
Pos Spare part No. Description

Qty Comment

Wash System

ASKO, D5893 US - SS (DW70.4)

Pos	Spare part No.	Description	Qty	Comment
301	8078001	-	1 Pc's	Not a spare part
303	8078082	CIRC.PUMP 120V 60HZ	1 Pc's	
303-a	8083804	Capacitor 7 0UF 400V P2 CLASS	1 Pc's	
304	8075130	Rubber Damper Circ Pump	1 Pc's	
305	8801463	HEATER W.INSERT 1200W120V DW70	1 Pc's	
306	8079531	SEALING HEATER DW70 UL4	2 Pc's	Only 1 pc from 2009-06-11
307	8079575	INSERT FOR HEATER	1 Pc's	
308	8073385-77	Cup Drainage Gray	1 Pc's	
310	8801409	Hose Circ Pump	1 Pc's	
310-a	8056491	HOSE CLIP 30.1-708	2 Pc's	
312	8801270	Spray Arm Bearing Kit	1 Pc's	
313	8079108-77	SPRAYARM BEARING H&L U.BASKET	1 Pc's	
314	8078085	WATER DIVERTER VALVE 120V 60HZ	1 Pc's	
314-a	8073003	O-ring	2 Pc's	
317	8079145	SPRAY PIPE KNIFE SPRAYER H&L	1 Pc's	
317	8079112-EDH	SPRAYTUBE ADJ. U-BASK XXL 8,5	1 Pc's	
319	8057504-77	SPRAY PIPE GROMMET LOWER GREY	1 Pc's	
320	8057503-77	Spray Pipe Grommet Upper Gray	1 Pc's	
321	8801359	SPRAYTOWER COMPL H&L BASKET	1 Pc's	
323	8081911-LL-77	SPRAYTOWER L FOR 2 NOZZLE UL4	1 Pc's	
324	8079113-77	GUIDE SPRAYTUBE ADJ BASKET	1 Pc's	
325	8072891	Spray Arm Lower Complete	1 Pc's	
326	8079111	SPRAYARM CPL H&L BASKET	1 Pc's	
327	8073381	Tube Pot Rinse	1 Pc's	
327	8079147	POT RINSE TUBE	1 Pc's	
327-a	8902085	Screw 20T for Plastic	2 Pc's	
328	8071607	Locking Spray Pipe Bearing	1 Pc's	
331	8072543-77	Spray Nozzle	2 Pc's	For part no 8073381 and 8076902-L-77
350	8079268-77	TERMINAL CONN.SPRAY TUBE M.B	1 Pc's	
351	8079265-77	SPRAY TUBE HOLDER MIDDLEBASKET	1 Pc's	
352	8079576-77	Cap Spray Tube Inlet Mid/Bask	1 Pc's	
353	8080860	SPRAY PIPE MIDDLE BASKET	2 Pc's	
354	8079266-77	CONNECTION SPRAY PIPE BASKET	1 Pc's	
355	8079267-77	SPRAY PIPE GROMMET MIDDLE BASK	1 Pc's	
357	8083603	SEALING HEATER BOTTOM SUMP	1 Pc's	
358	8079261-77	INSERT SPRAYARM BEAR.H&L BASK.	1 Pc's	



Bottom well and related parts

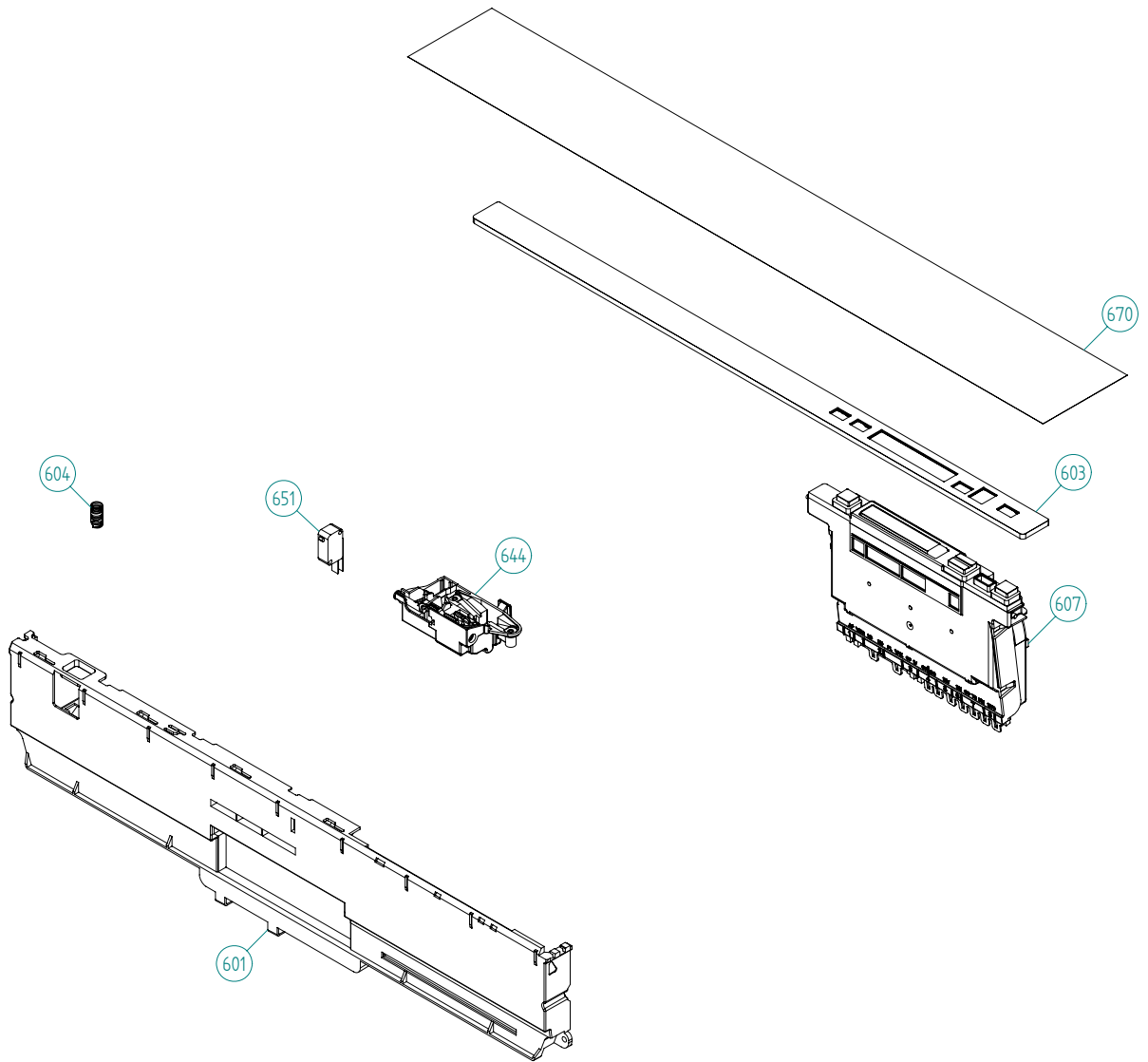
ASKO, D5893 US - SS (DW70.4)

Pos	Spare part No.	Description	Qty	Comment
402	8084692	BOTTOM WELL 2 SENSOR UL4	1 Pc's	
402	8801452	KIT BOTTOM W.NO RET.VALVE 2SEN	1 Pc's	
402-a	8073002	ORing	1 Pc's	
403	8078033	Rinse Cap Bottom Well - Yellow	1 Pc's	
405	8073839	Pressure Sensor	1 Pc's	
405-a	8074040	O-Ring-Press Sensor	1 Pc's	
406	8074364	Strainer DW20	1 Pc's	
407	8073835	Microswitch Float	1 Pc's	
409	8078038-77	Pipe Filter DW70	1 Pc's	
410	8078089	Drain Pump 120V 60Hz	1 Pc's	
411	8079693	Outlet Hose w/o Return Valve	1 Pc's	
411	8083478	OUTLET HOSE HARD END CUFF US	1 Pc's	
411-a	8901768	O-RING 32,3X3 (BD)	1 Pc's	
414	8801248	Check Valve Kit	1 Pc's	
414-a	8052239	Hose Clamp	1 Pc's	
414-b	8053642	Hose Clamp	1 Pc's	
415	8078025	Float	1 Pc's	
416	8078039-77	Strainer Basket Grey	1 Pc's	
417	8081321	TURBIDITY SENSOR DW20/70	1 Pc's	
418	8072528-77	Holder Outlet Hose	1 Pc's	
418-a	8053642	Hose Clamp	1 Pc's	
418-b	8052239	Hose Clamp	1 Pc's	
418-c	33700450	Cable Strip	1 Pc's	
418-d	8902072	SCREW PT KB40X10 WN1442 GALV	1 Pc's	
419	8072848	Lockring Bottom Well	1 Pc's	
420	8074760-77	Ventilator	1 Pc's	
421	8075321	End Cuff	1 Pc's	
422	8078096	Thermistor	1 Pc's	
426	8078024	SEALING NON RETURN VALVE	1 Pc's	
427	8901768	O-RING 32,3X3 (BD)	1 Pc's	

Inner door, panel and related parts

ASKO, D5893 US - SS (DW70.4)

Pos	Spare part No.	Description	Qty	Comment
501	8801380	Door Inner w/Fan XXL DW70	1 Pc's	
501-a	8900646	Screw 20 Torx SS	6 Pc's	
501-b	8902121	SCREW A2-MKFT 5X10	4 Pc's	
502	8073852	Fan Compl 120V incl Sensor	1 Pc's	
502-a	8058501	ORing Turbo Fan Dry 05/06 DW	1 Pc's	
502-b	8801438	KIT WITH NEW WAXMOTOR DW	1 Pc's	
503	8080100	HUMIDITY SENSOR ROHS *ESD* UL4	1 Pc's	
504	8801343-77	KIT Combi Dispenser 120V	1 Pc's	
504-a	8071918	Seal Det Comp Lid	1 Pc's	
504-b	8071917	CAP RINSE AGENT	1 Pc's	
504-c	8071918	Detergent Lid Complete	1 Pc's	
504-d	8072288	Sealing Strip Combi Disp.	1 Pc's	
504-f	8902087	Screw Plastic Housing 20 Torx	6 Pc's	
505	8801458	HINGE RIGHT COMPL. DW70	1 Pc's	
506	8801459	HINGE LEFT COMPL. DW70	1 Pc's	
507	8057530	Screw hinge 05	2 Pc's	
507-a	33500262	Nut Term Block	2 Pc's	
508	Repl by 8801458 & 8801459	Slide washer hinge bearing 05	2 Pc's	
509	8078040	Air Channel DW70	1 Pc's	
510	8801294	DOOR SEAL LOWER W.CORNER GUARD	1 Pc's	
511	8078019-K-91	Outer Door for Narrow Hndl	1 Pc's	
511-a	8900646	Screw 20 Torx SS	6 Pc's	
522	8089401	LOCKKING RING 2 FAN HOUSE UL4	1 Pc's	
522-a	8902085	Screw 20T for Plastic	2 Pc's	
523	8057983	Brace	1 Pc's	
523-a	8900646	Screw 20 Torx SS	2 Pc's	
523-b	8902357	Screw	2 Pc's	
526	8058484	SS Coverplate Turbo Fan DW	1 Pc's	
526-a	8902085	Screw 20T for Plastic	2 Pc's	
529	8074278	Bracket for harness	1 Pc's	
531	8074258	Sound Absorbtion Outer Door	1 Pc's	
533	8075988	Crossbar handle 3000XL	2 Pc's	
534	8072435	Handle for 05/06 DW	1 Pc's	
534-a	8072439	Bolt Tension Strap W600s	2 Pc's	
535	8075836	End Plugs for Handle	1 Pc's	
535-a	8901774	ORing	1 Pc's	
542	8076966	COVER, CABLES	1 Pc's	
551	8079584-33	Air Channel Nozzle DW70	1 Pc's	
552	8083021	COVER COMBI DISPENSER	1 Pc's	



Control panel and related parts

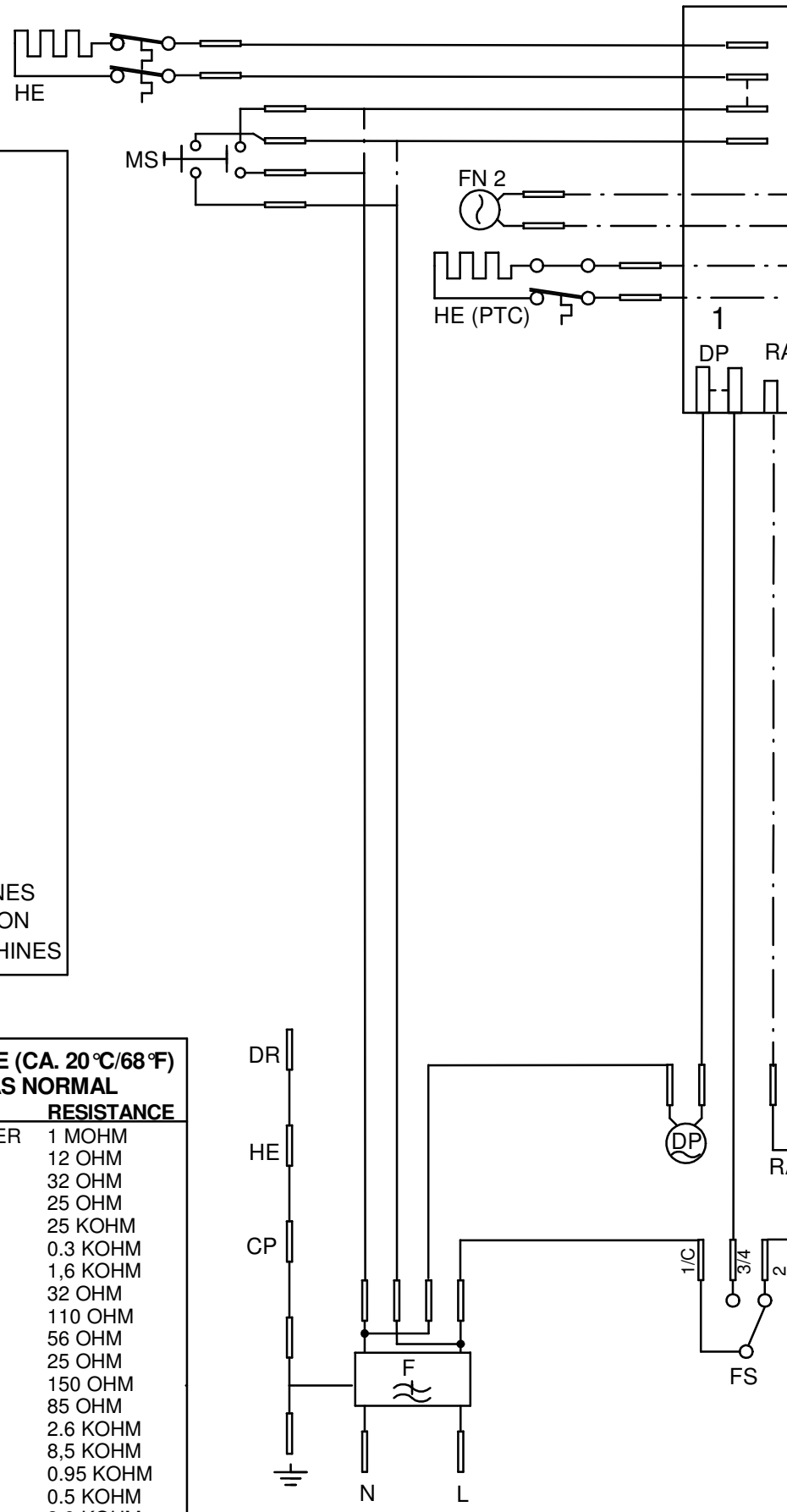
ASKO, D5893 US - SS (DW70.4)

Pos	Spare part No.	Description	Qty	Comment
601	8084001-UL	PANEL DW90 INTEGRATED LOCK UL4	1 Pc's	
603	8088063	Decor Lens D5893 DW70.4 GRAPHIC	1 Pc's	
604	8074277	SPRING MAIN SWITCH	1 Pc's	
607	8801368	CONTROL.UNIT COMPL. DW70.4 USA	1 Pc's	
610	8079517	CABLE SET THERMISTOR UL4	1 Pc's	
611	8078071	CABLESET DIVERTER VALVE UL4	1 Pc's	
611	8075739	cabl set humidity sensor	1 Pc's	
614	8078068	CABLE SET CI.PUMP IN.VALVE UL4	1 Pc's	
616	8078064	CABLE SET FLOW PRESS. TURB.UL4	1 Pc's	
618	8079511	CABLESET POWER TOUCH UL4	1 Pc's	
620	8075730	Cable Set Fan	1 Pc's	
622	8078063	CABLE SET DRAIN UL4	1 Pc's	
644	8073670	Lock Complete Integrated	1 Pc's	
651	8073836	MICROSWITCH DOOR	0 Pc's	
670	8089279	Black Reflector Strip DW70.4	1 Pc's	

- CD: COMBI DISPENSER
 - CP: CIRCULATION PUMP
 - DIV: WATER DIVERTER VALVE
 - DP: DRAIN PUMP
 - DR: DOOR
 - DS: DOOR SWITCH
 - F: FILTER
 - FM: FLOW METER
 - FN 1: FAN DOOR
 - FN 2: FAN BOTTOM
 - FS: FLOAT SWITCH
 - HE: HEATING ELEMENT
 - HE (PTC): HEATING ELEMENT PTC
 - HL: HALOGEN LAMP
 - HS: HUMIDITY SENSOR
 - IS: ILLUM. SWITCH
 - IV: INLET VALVE
 - I2C: I2C
 - MS: MAIN SWITCH
 - MV: MIX VALVE
 - PS: PRESSURE SENSOR
 - RAS: RINSE AID SENSOR
 - SL: STATUS LIGHT
 - SS: SALT SENSOR
 - SV: SALT VALVE
 - TH: THERMISTOR
 - TS: TURBIDITY SENSOR
 - UART: UART
 - VAX: VAX ACTUATOR
- _____ WIRES IN ALL MACHINES
 - - - - - INTERNAL CONNECTION
 — . — WIRES IN SOME MACHINES

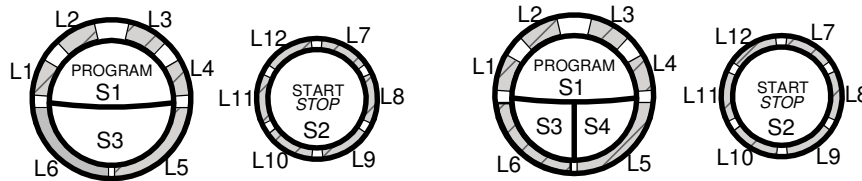
RESISTANCES AT ROOM TEMPERATURE (CA. 20 °C/68 °F)
VALUES WITH +/-10% ARE REGARDED AS NORMAL

COMPONENT	RESISTANCE
RADIO INTERFERENCE SUPPRESSION FILTER	1 MOHM
HEATING ELEMENT 1200W 120V	12 OHM
HEATING ELEMENT 1600W 230V	32 OHM
HEATING ELEMENT 2040W 230V	25 OHM
THERMISTOR	25 KOHM
COMBINED DISPENSER 120V	0.3 KOHM
COMBINED DISPENSER 230V	1,6 KOHM
CIRCULATION PUMP 120V 60HZ	32 OHM
CIRCULATION PUMP 230V 50HZ	110 OHM
CIRCULATION PUMP 220V 60HZ	56 OHM
DRAIN PUMP 120V 60HZ	25 OHM
DRAIN PUMP 230V 50HZ	150 OHM
DRAIN PUMP 230V 60HZ	85 OHM
SPRAY ARM DIVIDER 120V 60HZ	2.6 KOHM
SPRAY ARM DIVIDER 230V 50/60HZ	8,5 KOHM
INLET VALVE SINGLE INCL. 120V	0.95 KOHM
INLET VALVE SAFETY INCL. 120V	0.5 KOHM
INLET VALVE SINGLE INCL. 230V	3,9 KOHM
INLET VALVE SAFETY INCL. 230V	2 KOHM
SALT VALVE 120V	0,65 KOHM
MIX VALVE 120V	0,65 KOHM
SALT VALVE 230V	3 KOHM
MIX VALVE 230V	2,3 KOHM
HALOGEN LAMP 5W 12V	<10 KOHM
WAX MOTOR	1.1 KOHM
FAN MOTOR 120V	0.18 KOHM
FAN MOTOR 230V	0,85 KOHM



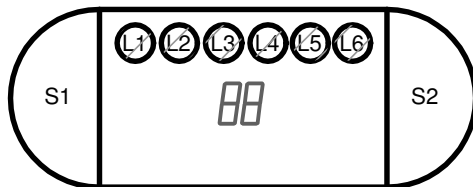
Displays

DW70.1



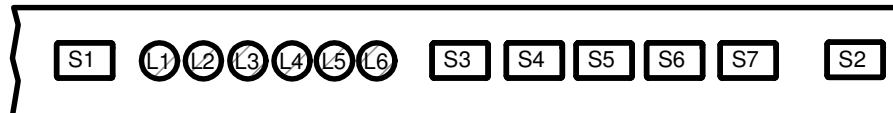
Panel type DW70.1, L = LED, S = Push-button

DW70.C



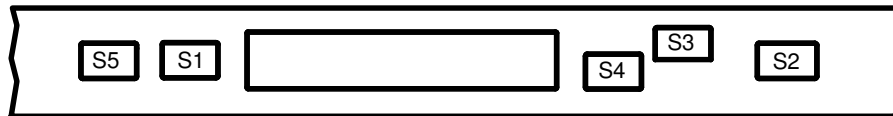
Panel type DW70.C, L = LED, S = Push-button

DW70.3



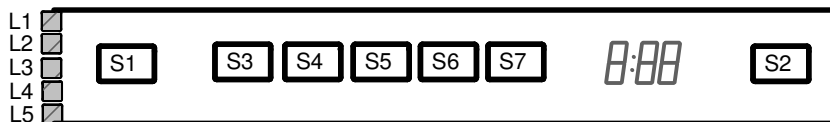
Panel type DW70.3, L = LED, S = Push-button

DW70.4



Panel type DW70.4, S = Touch areas

DW70.5



Panel type DW70.5, L = LED, S = Push-button

TOTAL RESET

TURN OFF MAIN SWITCH

WAIT FOR AT LEAST 5 SECS

HOLD PROGRAM BUTTON (S1), FOR DW70.4 HOLD PROGRAM BUTTON (S1)

AND NAVIGATION BUTTON (S4).

TURN ON MAIN SWITCH

RELEASE PROGRAM BUTTON (S1), FOR DW70.4 RELEASE PROGRAM BUTTON (S1)

AND NAVIGATION BUTTON (S4).

SERVICE MENU

TURN OFF MAIN SWITCH

WAIT FOR AT LEAST 5 SECS

HOLD PROGRAM AND START BUTTONS (S1 & S2)

TURN ON MAIN SWITCH

RELEASE PROGRAM AND START BUTTONS (S1 & S2)

VARIANT SETTING (NOT DW70.4)

HOLD PROGRAM AND START BUTTONS (S1 & S2)

TURN ON MAIN SWITCH

RELEASE PROGRAM AND START BUTTONS

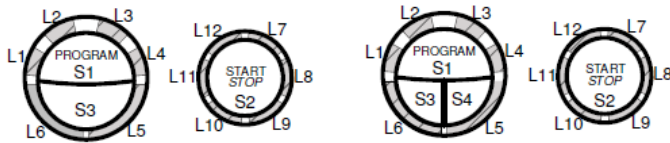
PRESS START (S2) 3 TIMES WITHIN 5 SECS

SELECT VARIANT BY START BUTTON (S1) AND

CONFIRM BY START BUTTON (S2)

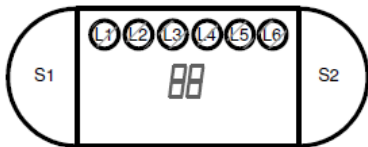
Displayer

DW70.1



Paneltyp DW70.1, L=LED, S= Tryckknapp

DW70.C



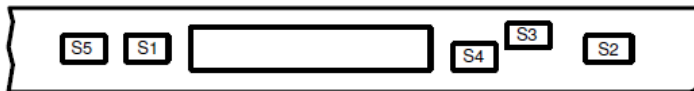
Paneltyp DW70.C, L=LED, S= Tryckknapp

DW70.3



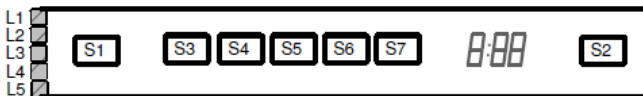
Paneltyp DW70.3 L=LED, S= Tryckknapp

DW70.4



Paneltyp DW70.4, S = Tryckområde

DW70.5



Paneltyp DW70.5 L=LED, S= Tryckknapp

Återställning

- Stäng av huvudströmbrytaren.
- Vänta i åtminstone 5 sekunder.
- Håll nere programknappen (S1) (för DW70.4 håll nere programknappen (S1) och navigationsknappen (S4)).
- Slå på huvudströmbrytaren (S1).
- Släpp programknappen (S1) (för DW70.4, släpp programknappen (S1) och navigationsknappen (S4)).

Service meny

- Stäng av huvudströmbrytaren.
- Vänta i åtminstone 5 sekunder.
- Håll program- och startknappen (S1 & S2) intryckta.
- Slå på huvudströmbrytaren.
- Släpp program- och startknappen (S1 & S2).

Variantinställning (ej DW70.4)

- Håll program- och startknapp (S1 & S2) intryckta.
- Slå på huvudströmbrytaren
- Släpp program- och startknapparna (S1 & S2)
- Tryck på startknappen (S2) 3 gånger inom 5 sekunder.
- Välj variant genom att trycka på startknappen (S2) och bekräfta ditt val genom att trycka på programknappen (S1)

Komponenttest:

Gå först in i Servicemenyn.

DW70.1, DW70.3, DW70.5 och DW70.C

Komponenttest:

Tryck på knappen (S1) och stega igenom följande komponenter:

1. Inloppsventil och mixventil (endast maskiner med avhårdare)
2. Inloppsventil
3. Saltventil (endast maskiner med avhårdare)
4. Diskmedel och sköljmedelsdoserare
5. Cirkulationspump
6. Värmeelement och cirkulationspump (Max 75°C)
7. Fläktar
8. Avloppspump

DW70.4

Gå först in i servicemenyn.

Gå först till servicemenyn steg 2 genom att trycka på knappen (S4)

Tryck på knappen (S3) för att aktivera följande komponenter.

1. Ventil (Inloppsventil och mixventil (endast maskiner med avhårdare) display visar intagen vattenmängd i antal pulser, pulsmätare är placerad i luftavbrottet).
2. Ventil (Inloppsventil, visar trycksensorvärde)
3. Salt (Saltventil, endast maskiner med avhårdare)
4. Behållare (Disk- och vätmedelsdoserare)
5. Cirkulation (Cirkulationspump)
6. Värme (Värmeelement och cirkulationspump (Max 75 °C))
7. Fläktar (Displayen visar fuktensorvärde)
8. Avloppspump