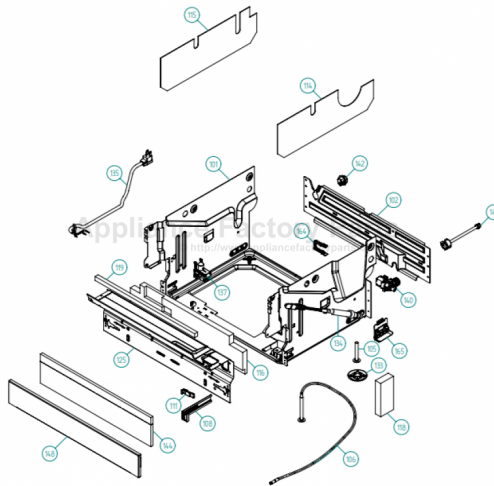


This Owner's Manual is provided and hosted by [Appliance Factory Parts](http://ApplianceFactoryParts.com).



# ASKO D5253XXLHS Owner's Manual

[Shop genuine replacement parts for ASKO  
D5253XXLHS](#)



[Find Your ASKO Dishwasher Parts - Select From 210 Models](#)

----- Manual continues below part list -----

## Available Replacement Parts for ASKO D5253XXLHS

[428814](#)

SPACERS

# Operating Instructions

## Dishwasher

Save these instructions for future reference

*Dear ASKO customer!*

*Thank you for choosing this quality product from Scandinavia, which was made in Sweden.*

*We want you to feel assured that the inside of your new machine is just as good as the outside and that the ethics and standards that went into the production of this machine are just as high as the quality and performance that you will receive from it. We hope that this product will give you many years of pleasure.*

*To ensure that you get the most out of your new machine, we recommend that you read the operating instructions before using the machine. The operating instructions also contain information on how to avoid damaging the environment.*

## ASKO D5253

# Contents

<b>Before doing your first wash</b>	<b>3</b>	<b>Quick Guide</b>	<b>32</b>
<b>Important safety instructions</b>	<b>4</b>		
<b>Child safety</b>	<b>5</b>		
<b>Parts of the dishwasher</b>	<b>6</b>		
<b>Technical data</b>	<b>6</b>		
<b>Baskets</b>	<b>7</b>		
<b>Control panel</b>	<b>9</b>		
<b>Detergent Dispenser</b>	<b>9</b>		
<b>Basic Course</b>	<b>10</b>		
<b>Programs</b>	<b>13</b>		
<b>Program Description</b>	<b>14</b>		
<b>Options</b>	<b>15</b>		
<b>Eco-dishwashing</b>	<b>16</b>		
<b>Fragile dishes</b>	<b>17</b>		
<b>Cleaning</b>	<b>18</b>		
<b>Rinse aid</b>	<b>21</b>		
<b>Settings</b>	<b>22</b>		
<b>Fault indications</b>	<b>25</b>		
<b>Troubleshooting</b>	<b>26</b>		
<b>Performance information</b>	<b>29</b>		
<b>Service and guarantee</b>	<b>30</b>		

# Before doing your first wash:

## **Read through the directions for use**

Read through the directions for use before starting to use your machine, especially the Safety, Child Safety, and Basic Course sections.

## **Take care with certain materials**

Read the Fragile Dishes section before washing china with unglazed decoration or other household goods made of plastic, wood, or crystal requiring careful treatment.

## **Check the door fitting**

Check that the door of the dishwasher fits properly: open the door a little and let it go. Does it stay exactly where you released it? If not, you should check the installation instructions or consult the installer.

## **Note!**

Do you need this Use&Care Guide in spanish? Log onto [www.askousa.com/customer-care](http://www.askousa.com/customer-care) to download.

¿ Necesita esta Instrucciones de uso y cuidado en español? Entre en [www.askousa.com/customer-care](http://www.askousa.com/customer-care) y descárguela.

# Important safety instructions



This manual does not cover all possible conditions and situations that may occur. Common sense and caution should always be used when installing, operating, and maintaining any appliance.

- Read all instructions before using the dishwasher.
- Dishwashers must be electrically grounded. Read the Installation Instructions for details.
- Use the dishwasher only for its intended purpose.
- Do not run the dishwasher while you are out of the home.
- Use only automatic dishwasher detergents and rinse agents.
- To reduce the risk of injury, keep detergents and rinse aids out of the reach of children.
- Do not load sharp items near the door; you could damage the door seal.
- Place sharp knives in the cutlery basket with the sharp ends down to avoid the risk of cut-type injuries.
- Do not wash plastic items unless they are marked “dishwasher safe” or the equivalent. For items not marked, check the manufacturer’s recommendations. Items not dishwasher safe could become deformed or melt and create a potential fire hazard.
- Do not touch the heating element during or immediately after use.
- Do not operate the dishwasher unless all enclosure panels are properly in place (i.e., guard plate, access panel, toe kick, etc.)
- Do not tamper with controls by removing or changing.
- Do not abuse, sit on, or stand on the dishwasher door or baskets.  
To reduce the risk of injury, do not allow children to play in or on a dishwasher.
- Under certain conditions, hydrogen gas

may be produced in a hot water system that has not been used for two weeks or more. **HYDROGEN GAS IS EXPLOSIVE.** If the hot water system has not been used for two weeks, before using the dishwasher turn on all hot water faucets and let the water flow from each for several minutes. This will release any accumulated hydrogen gas. As the gas is flammable, do not smoke or use an open flame during this time.

- When removing an old dishwasher from service or discarding it, remove the door to the washing compartment.
- Do not store or use combustible materials, gasoline, or other flammable vapors and liquids in the vicinity of this or any other appliance.
- Disconnect electrical power to dishwasher before servicing.
- Repairs should be done by a qualified technician.

# Child safety!



## Child safety tips

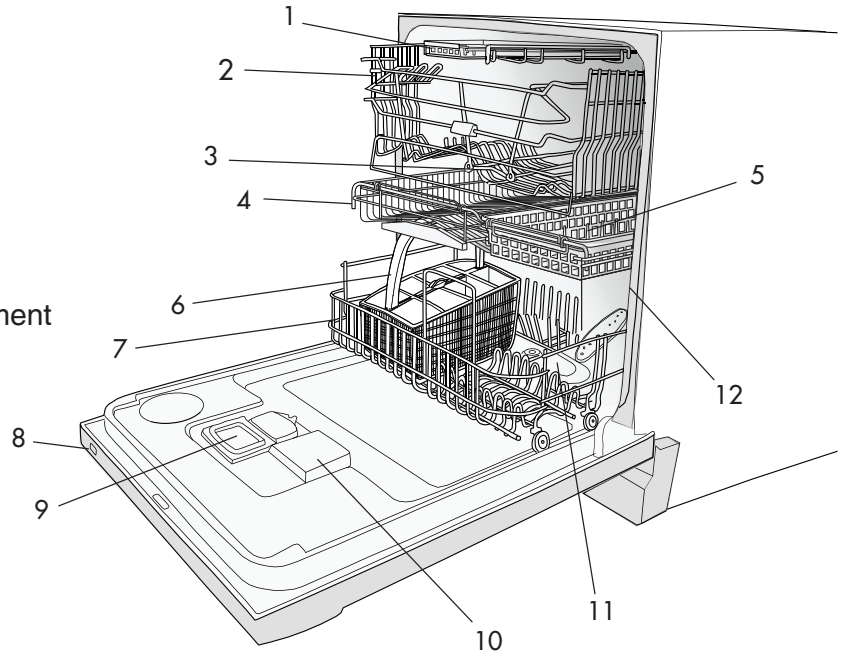


Dishwasher detergents and rinse aids are corrosive, so always keep them out of reach of children.

- Should a child swallow dishwasher detergent or rinse aid, give plenty to drink immediately, i.e., one or two glasses of milk or water. Do not try to induce vomiting. Seek medical advice immediately: Call the National Capital Poison Center at 1-800-222-1222
- Always close the door and start the dishwasher as soon as you put in the detergent.
- Always keep small children away from the machine when it is open. There may be some detergent residue left inside the machine.
- If dishwasher detergent gets in someone's eyes, rinse them with plenty of water for at least 15 minutes.
- Do not allow children to use or play in or on the dishwasher.
- Load all long and sharp items in the knife/utensil basket. If this is not possible, load sharp objects with the pointed end facing the back of the dishwasher. Sharp items loaded in the cutlery basket should be loaded with pointed ends down.
- Engage the child safety lock.

# Parts of the dishwasher\*

1. Knife basket
2. Upper basket
3. Spray arms
4. Middle basket
5. Utensil basket (cutlery basket)
6. Cutlery basket
7. Lower basket
8. Main power switch
9. Dishwasher detergent compartment
10. Rinse Aid Compartment
11. Filter
12. Type plate



\*Details may differ depending on the model and market!

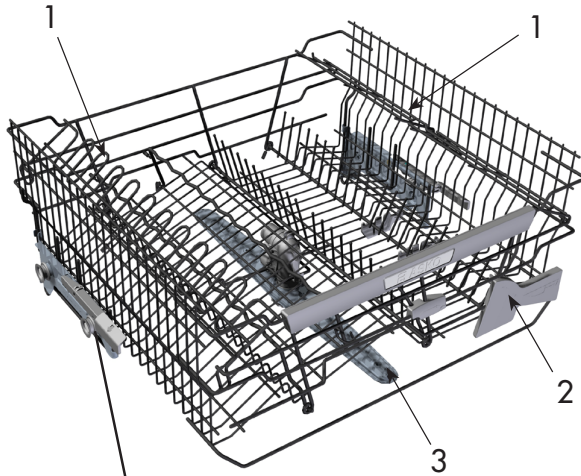
## Technical data

Height	34-3/8" - 36-1/2" 870-920mm
Width	24" (610)mm
Depth	24" (610)mm
Weight	105.8 lbs (48 kg)
Water pressure	4.2 - 140 psi 0.03 - 1.0 MPa 0.3-10 Bar
Connection	Single phase, 120 V, 60 Hz, 10 A
Max output	1300 W

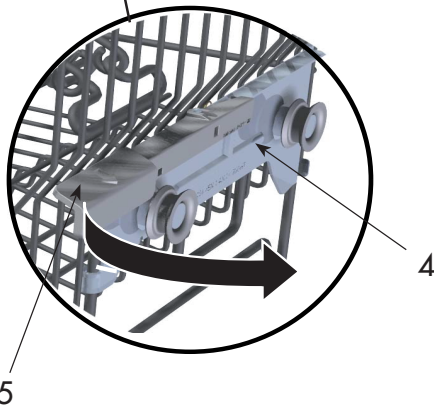
# The baskets\*



## Upper basket



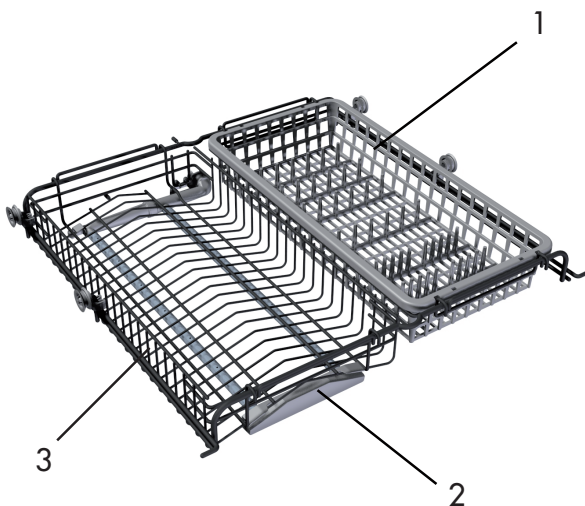
1. Wine glass shelf
2. Knife stop
3. Upper spray arm
4. Locking handle for upper basket
5. Catch



## Raising/lowering the upper basket

1. Pull out the upper basket.
2. Pull out the catches (5) on either side of the upper basket and lower the upper basket at the same time.
3. Grab the basket by the sides and lift it.

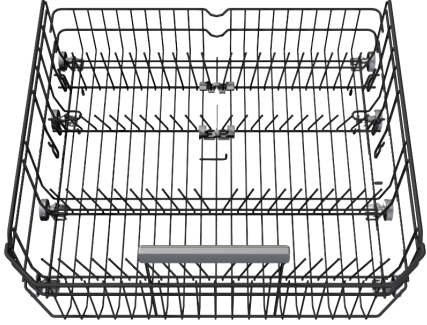
## Middle basket



1. Utensil basket
2. Spray pipe
3. Wire basket for low cups and bowls



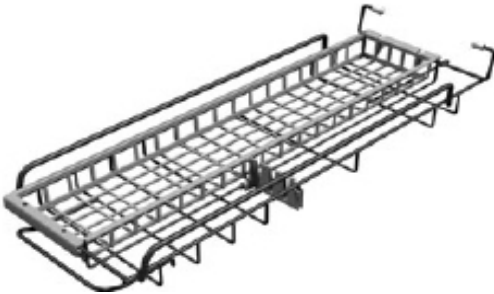
**Lower basket**



**Cutlery basket**

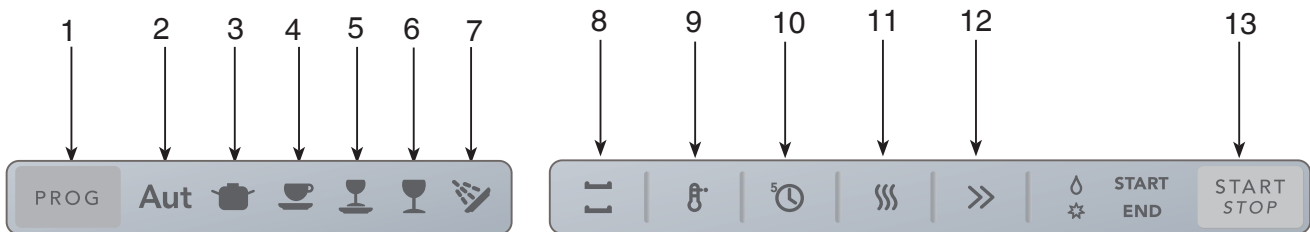


**Knife basket**



\*Details may differ depending on the model and market!

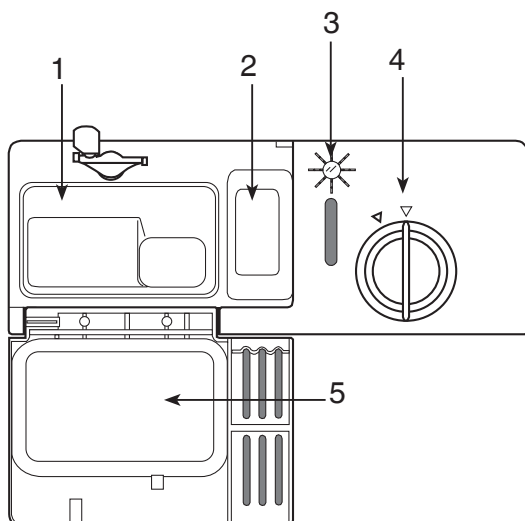
# Control panel



1. Program selector
2. Auto wash
3. Heavy wash
4. Normal wash
5. Delicate wash
6. Quick wash
7. Rinse & Hold

8. Upper / lower basket
9. Temperature
10. Delayed start
11. Drying
12. Time saver
13. Start/stop

# Detergent Dispenser



1. Compartment for main wash dishwasher detergent
2. Compartment for pre-wash detergent
3. Refill indicator for rinse aid (not all models)
4. Rinse aid cover
5. Detergent compartment cover

# Basic Course

Below are step-by-step instructions to help you achieve the best possible dishwashing results.

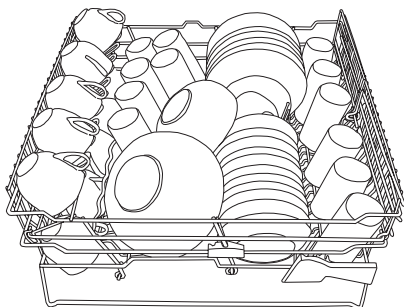
## 1 Load the baskets correctly!

Thanks to Self Cleaning System, you do not need to rinse the dishes under running water. Simply remove large food particles and debris. Convenient and environmentally-friendly!

Place glasses, cups, bowls, side plates, and saucers in the upper basket. Wine glasses should be hung from or leaned against the wine glass shelf and knives placed in the knife stand if present.

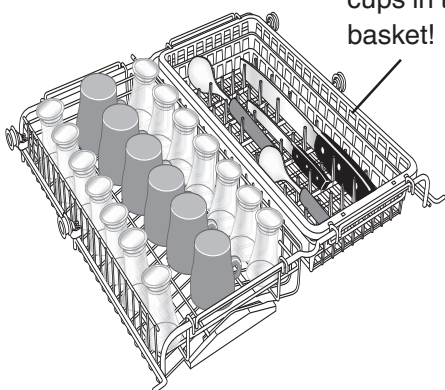
### Note!

Ensure that all soiled surfaces face inwards or downwards!

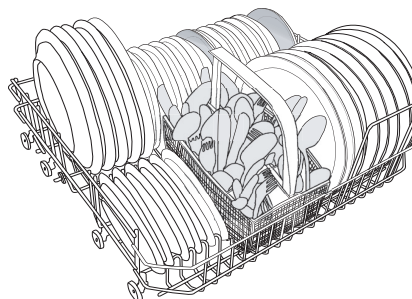


The middle basket is suitable for low items, such as cups, small glasses, or bowls. The two baskets that sit in the middle basket can be removed to create more space between the upper and lower baskets to fit taller items. The utensil basket, which is easy to remove, has room for ladles, whisks, serving cutlery, and the like.

Do not put bowls or cups in the utensils basket!



Place dinner plates, side plates, serving dishes, saucepans, and cutlery (in the cutlery basket) in the lower basket. The removable plate insert, which comes with certain models, can be easily removed to provide room for large plates, saucepans, and pots, or placed in three alternative positions.



Stand the cutlery with handles downward and as spread out as possible. Ensure that spoons are not resting inside each other.

Do not put cutlery made of different materials - such as silver and stainless steel - in the same compartment (risk of stains). The cutlery basket has a folding flap in the middle for small items or narrow shafts, such as electric whisks.

Place long cutlery and carving knives in the special knife box (if present) or in the upper basket.

Check that the spray arms are able to move freely. See the section entitled Fragile Dishes if you want to wash objects that may be fragile.

## 2 Dishwashing detergent

We recommend that you use only unscented, granular automatic dishwashing detergent. Using the wrong detergent could cause flooding and/or damage your dishwasher. Do not use detergent that has been wet and is clumped. Also, check the expiration date on the container.

The amount of detergent needed can vary due to differences in water hardness. To



determine the water hardness in your area, contact your local water utility or area water softening company. The harder the water, the more detergent you may need. Refer to the chart below for the recommended detergent amounts based on water hardness. Remember, you should adjust the amount of detergent you use by small amounts until you find the correct amount.

Twelve grains and higher is extremely hard water and detergent alone may not be enough. You may need to use a water softener to maximize the performance of your dishwasher. Also, in areas with hard water (9+) you may need to wash at lower temperatures to prevent hard water deposits from forming in tank and wash system. In hard water areas, both the dishes and the machine can develop a white or gray film after a while. This can be removed by replacing the prewash detergent with two tablespoons of citric acid. If the water is very hard, use a rinse aid that contains citric acid. Different brands of dishwasher detergent have different amounts of phosphorous for softening water. If you have hard water and use a detergent with less than 8.7% phosphorous content, you may need to use more detergent or use a detergent with more than 8.7% phosphorous content.

**NOTE:**

We recommend that you do not add prewash detergent for the Quick wash programs.

**NOTE:**

If you use a dishwashing detergent with a rinse aid additive, you should not fill the rinse aid dispenser. This could cause a film on your dishes.

**Dishwasher tablets**

Halve the tablet if it is difficult to close the dispenser cover. There is a risk that the dishwasher detergent will not break down properly to give the correct dosage if the cover is tight and cannot be opened correctly.

**3-in-1/ Multi-purpose detergent**

**Note!**

Read the directions for use for such products carefully. If anything is unclear, contact the detergent manufacturer.

**3 Switch on the main switch**  
①

**4 Select program**

For select program see part Programs.

**5 Select option**

If you wish to use additional options continue to part Option. Otherwise you can now start the machine, see point 6.

**Recommended detergent amounts based on water hardness**

Water hardness	Detergent amounts
Soft (0-3 grains per gallon)	Prewash 1 teaspoon Main wash 1 to 1-1/2 tablespoons
Medium (4-8 grains per gallon)	Prewash 1 teaspoon Main wash 1 to 2 tablespoons
hard (9+ grains*)	Prewash 1 teaspoon Main wash 2 to 3 tablespoons
* 12 grains and higher is extremely hard water.	

## **6 Press start**

The dishwasher will now start. It manages the entire wash automatically. Ensure that the door is properly closed or the machine will not start.

### **Changing program**

If you want to change program after having started the machine, press the Start/Stop button for three seconds. Then select a new program and press the Start/Stop button. Make sure there is detergent in the dispenser.

### **Do you want to load more dishes?**

Carefully open the door; the machine will stop automatically, put in the dishes, close the door and the dishwasher will continue from where it left off.

### **If the machine is switched off at the main switch**

(or in the event of a power cut) before the washing program has been completed, the interrupted program will continue when the power comes back on.

### **Note!**

If the power is switched off, or if the door is open during drying, the program is interrupted.

## **7 Standby mode**

Once the machine has finished, it only draws standby current. Should you wish to disconnect the power completely, just switch off at the main power switch. Turn off the water faucet if the machine is not to be used for an extended period, such as during vacations, for example.

# Programs

Select a program by pressing the program selector one or more times until the required program symbol lights up. See the Program guide below.

## **Auto wash**

The dishwasher detects how soiled the dishes are and adjusts water consumption and temperature accordingly.



## **Heavy wash**

The Heavy Wash program should be used for heavily soiled dishes, e.g. saucepans, pots and gratin dishes. If there is still space in the machine after loading such items, you can add plates etc.



## **Normal wash**

Used for washing normally soiled dishes such as plates, serving dishes, cups and glasses, etc.



## **Delicate wash**

If the dishes are not heavily soiled, you can select Delicate wash. This program is intended for glass and china which has just been used and therefore does not need such a powerful program.



## **Quick wash**

Select Quick Wash if the dishes are very lightly soiled. This program is used for very lightly soiled glass and china, e.g. coffee cups.



## **Rinse & Hold**

For rinsing the dishes while waiting for the machine to be filled.

# Program Description

Programview						
Programs	Auto	Heavy	Normal	Delicate	Quick	Rinse & Hold
Program info	The dishwasher detects how soiled the dishes are and adjusts time, water consumption and temperature accordingly.	For heavily soiled loads, such as pots, pans, casseroles, etc.	For normally soiled loads such as plates, glasses, bowls, and lightly soiled pans.	For glass and china which has just been used and therefore does not need such a powerful program.	For lightly soiled loads that are washed immediately after use. This program can also be used for delicate items.	To rinse dishes that you plan to wash later that day.
Options			☺☺☺	☺	☺☺☺	
Prewashes with SCS*		2	2	1	--	--
Mainwash ***		130°F	150°F	120°F	140°F	--
Number of rinses	last rinse 140°F	3, last rinse 140°F	2, last rinse 160°F	2, last rinse 120°F	2, last rinse 140°F	1 rinse
Consumption values						
1. Wash time hot water / min. **	95 - 160	190	140	105	60	4
Energy approx. kWh	0.7 - 1.0	0.7	0.9	0.5	0.6	0.01
2. Wash time cold water / min. **	115 - 185	220	175	125	80	4
Energy approx. kWh	0.9 - 1.5	1.4	1.4	0.8	1.0	0.01
Water consumption (gallon)	2.4 - 4.0 (9 - 15 l)	4.8 (18 l)	5.3 (20 l)	2.7 (10 l)	2.4 (9 l)	0.8 (3 l)
<p>* SCS = Self Cleaning System.            ** All quoted times are approximate. Cycle time fluctuations may occur due to water temperature, water pressure, variations in voltage etc.            1. Hot water connection approx. 50°C (120°F).            2. Cold water connection approx. 10°C (50°F).            *** The listed temperatures are set as the default from the factory. You can alter the program temperature by choosing the temperature options in the chart on page 15.</p>						

# Options

## Select options

To select an option, press one of the option buttons.

### Temperature

With the temperature option button you can select the wash temperature yourself. You can vary the temperatures as follows:

	Normal	High
Auto		
Heavy:	130°F (55°C)	160°F (70°C)
Normal:	150°F (65°C)	130°F (55°C)
Delicate:	130°F (55°C)	90°F (40°C)
Quick:	140°F (60°C)	85°F (30°C)

The temperature symbol will light up if you have chosen the high temperature. This selection will remain in force until a change is made.

### Drying

If you desire a better drying result, press the Drying options button and a symbol showing three wavy lines will light. If you want a program without Drying options, press the button again and the symbol will go out.



### Delayed Start

If you desire a better drying result, press the Drying options button and a symbol showing three wavy lines will light. If you want a program without Drying options, press the button again and the symbol will go out.



### Time saver

An option that shortens the program time but uses more water and energy to clean the dishes. Can be used with Heavy Wash and Normal Wash.



### 1/2 load

#### Upper basket wash

If you only have cups and glasses in the upper basket which require washing, you can use this program.

#### Lower basket wash

When you only want to wash plates and cutlery in the lower basket you can use the lower basket wash.

# Eco-dishwashing

## **Only wash full loads**

Waiting to run the wash until the machine is full saves energy.

## **Wash at a lower temperature**

If the dishes are only lightly soiled you can run a Quick wash program and reduce the temperature to 86°F (30°C).

## **Select a program with Normal dry**

To save energy, select Normal dry. You will get a better drying result if you leave the door slightly open after the end of the program.

## **Do not rinse before dishwashing**

Thanks to the dishwasher's Self Cleaning System (SCS) you do not need to rinse the dishes under running water before loading them into the machine.

## **Choose environmentally-friendly dishwasher detergent**

Read environmental declarations on the package!

## **Connect to cold water supply**

For best performance it is recommended that connection is to cold water.

# Fragile dishes

A number of household goods are not suitable for machine washing. This can be due to a variety of reasons. Certain materials cannot withstand intense heat; others can be damaged by the dishwasher detergent.

## **Fragile decoration**

China with decoration on top of the glaze (the goods have a rough feel) should not be machine washed.

## **Crystal/ glass**

Place the goods so that they do not knock together during the wash. Use the lowest possible wash temperature and the shortest possible program. Do not heat dry! Antique and very fragile items should not be machine washed.

Glass which is machine washed at high temperatures can in time develop a grey film which cannot be removed. Wash fine glass at the lowest temperature and with a low dosage of dishwasher detergent.

## **Silver**

Silver and stainless steel items should not come into contact with each other as the silver can discolor.

## **Cutlery with glued handles**

Certain types of adhesive cannot withstand machine washing. In such cases the handles can come loose.

## **Wood**

Wooden items should only be machine washed if they are labeled as dishwasher safe.

## **Aluminum**

Aluminum can be dulled by machine washing. However, good quality aluminum saucepans can be machine washed, although a reduction in luster should be expected.

## **Plastic**

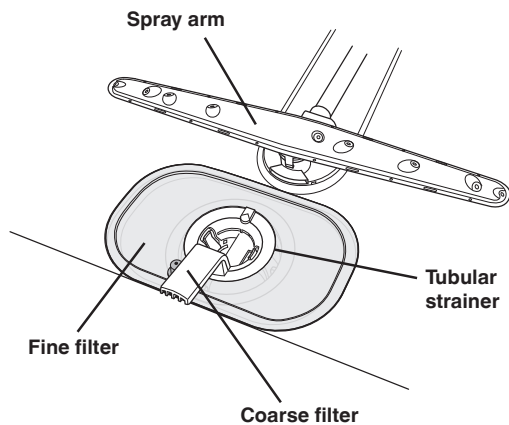
Certain types of plastic cannot withstand the high temperature generated in machine dishwashing.

## **Protect plastic goods**

Select a program with a low temperature.

# Cleaning

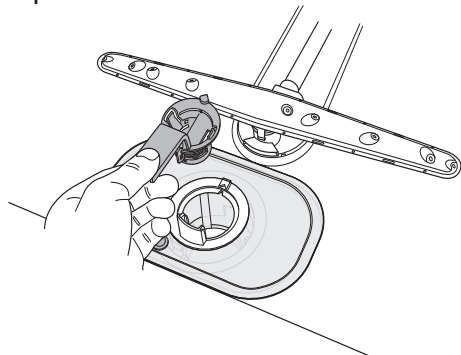
The dishwasher tub is made of stainless steel and is kept clean through normal use. However, if you have hard water, limescale deposits may form in the machine. If this happens, run a normal wash program with two tablespoons of citric acid in the dishwasher detergent compartment.



## Coarse filter

The coarse filter traps larger food particles, which cannot get past the drain pump. Empty the coarse filter as necessary.

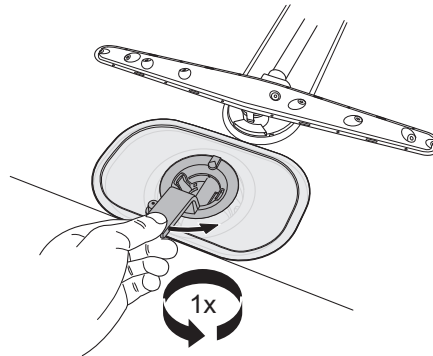
1. Lift the coarse filter by the handle.
2. Empty the coarse filter. Don't forget to replace it!



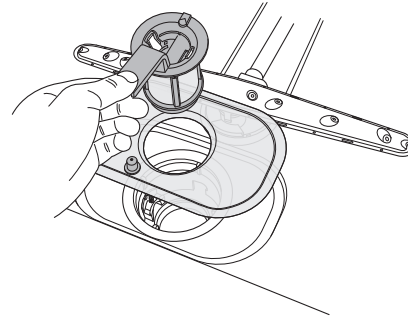
## Fine filter

Debris that collects on the fine filter is automatically rinsed away during each wash. However, the fine filter and its pipe section should be cleaned once or twice a year.

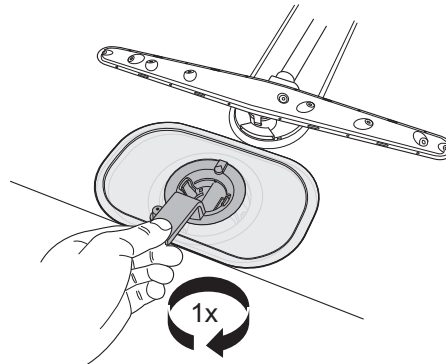
1. Turn the handle once counter-clockwise.
2. Lift the pipe section straight up by the handle. Free the coarse filter to clean the pipe section.



3. Remove and clean the fine filter.
4. Replace in reverse order. Ensure that the edges are properly sealed when replacing the fine filter.



5. Lock the filter in place by turning the handle clockwise to the stop position: the handle should point out from the dishwasher.



## NOTE:

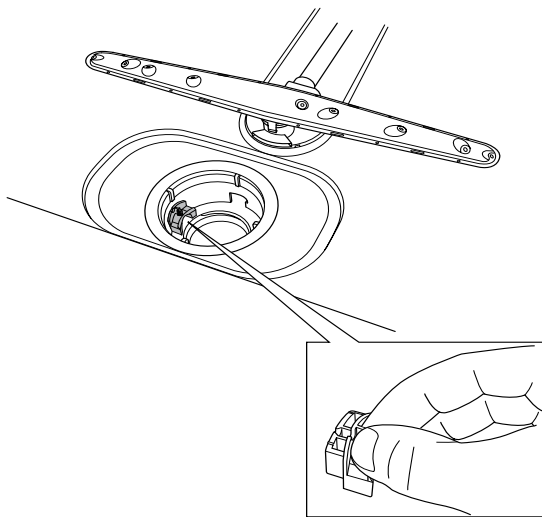
The dishwasher must not be used without the filter in place!  
An improperly fitted coarse filter may affect the dishwashing result!



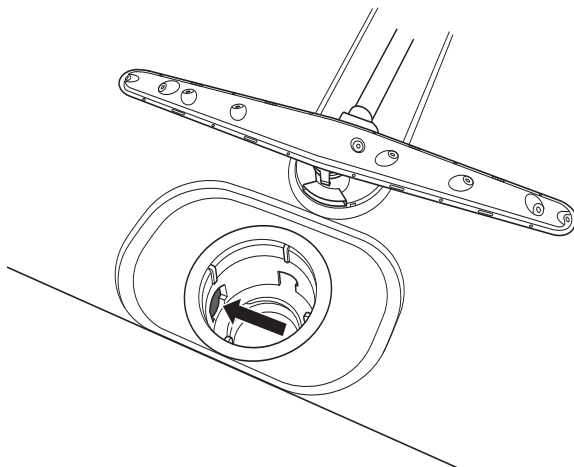
## Drain pump

The pump can be accessed from inside the machine.

1. Cut the power to the machine by pulling out the plug! ⚠
2. Remove the coarse filter and pipe section.
3. Remove the small fitted piece at the left of the bottom drain (see the image below).



4. You can release and turn the pump blade by inserting your finger into the hole and release anything blocking it.
5. Reinstall the fitted piece and filters.
6. Plug the plug into the wall socket.

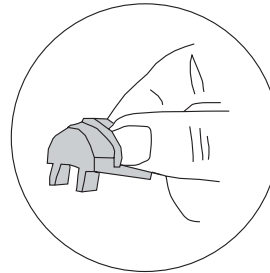


If the machine still does not start and a buzzing sound is heard, the overflow guard has been activated.

- Shut off the water.
- Pull the plug out from the wall socket.
- Call the service division.

### NOTE!

Do not forget to reinstall the fitted piece.

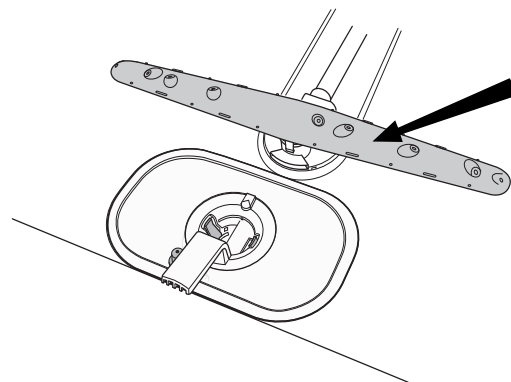


## The spray arms

Holes and bearings can sometimes become blocked.

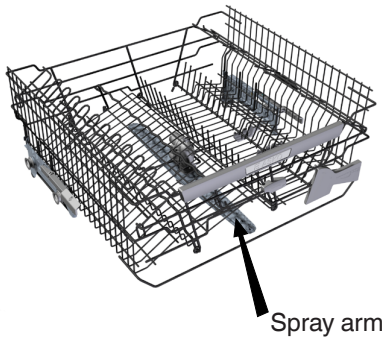
1. Pull the lower washer arm straight up to release it.
2. Remove any deposits using a needle or similar.

The washer arms also have holes under neath.



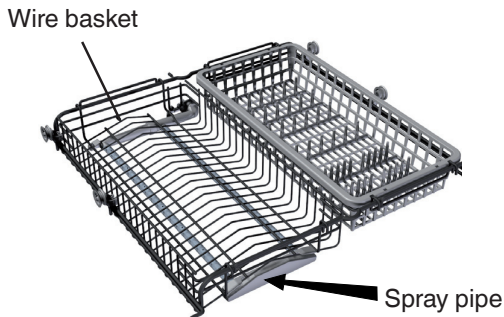
To release the upper spray arm, the upper basket must be removed.

1. Pull out the basket.
2. Remove the upper spray arm by unscrewing it counter-clockwise from the basket and clean it.
3. Screw the spray arm back into place.

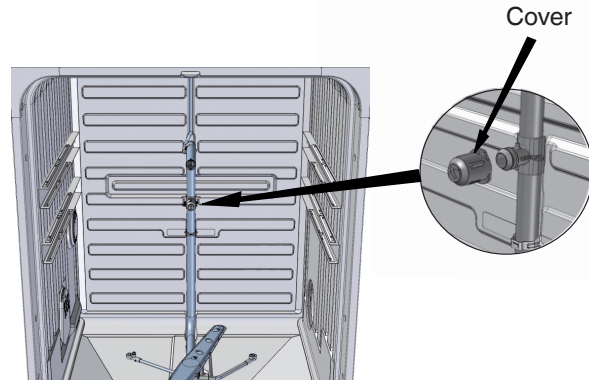


Cleaning the middle basket:

1. Pull out the basket.
2. Check the holes in the spray unit.
3. Clean with a pin or similar item.

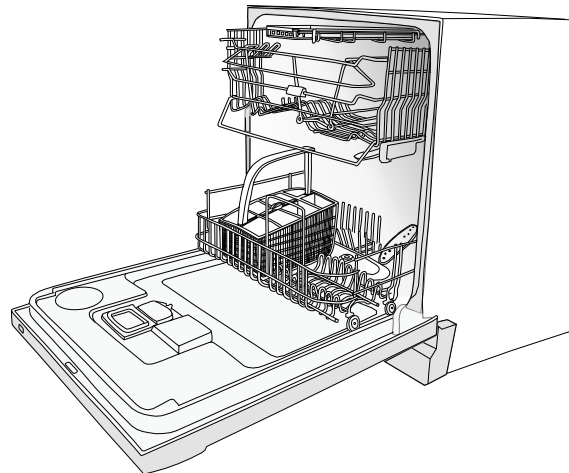


Fit the cover securely if you are not using the wire basket.



## Door

When cleaning the edge around the door, use only a slightly damp cloth, possibly with a little detergent. Do not use a spray bottle or similar around the door catch. This is to ensure that water does not penetrate into the door catch and come into contact with the electrical components.



## CAUTION!

Do not use a spray bottle or similar around the door catch.

## Tip!

In order to prevent bad odours in the dishwasher, clean the strips and corners with a dish brush and low-lather detergent.


# Rinse aid



## Adding rinse aid

In some cases, drying can be made more efficient by using rinse aid.

### Machines with indicator on the panel

When the rinse aid has run out and more is needed, the rinse aid symbol  on the panel lights up\*.

### To fill with rinse aid:

1. Turn and lift up the cover of the rinse aid compartment to the right of the dispenser. This is where you top up and set the amount of rinse aid to be dispensed in each wash.
2. Carefully pour in rinse aid up to the dosage setting knob.

Alter dosage if required. Do not forget to close the cover.

### \*Note!

After filling there may be a short delay before the signal light goes out.

### Machines with refill indicator in detergent dispenser

There is a refill indicator in the middle of the dispenser (see illustration). If the refill indicator is totally black, there is sufficient rinse aid. However, if the indicator has a more transparent appearance, you need to top up with rinse aid (see above).

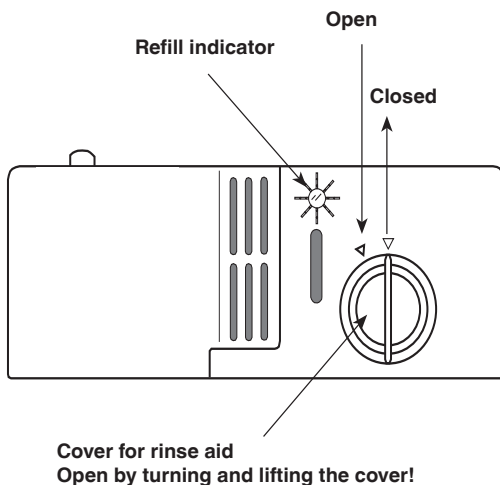
## Select dosage

The dispenser is usually set at 1= soft water. However, depending on the water hardness, you may need to change the dosage.

Open the rinse aid cover. Here you will find the dispenser's adjustment dial. Settings 1-6: the harder the water, the higher the dosage. When the water hardness exceeds 3 grains, you should use rinse aid with citric acid (acid rinse aid).

Too much rinse aid can lead to the build-up of foam. If your water is particularly soft, you can dilute the rinse aid (1 part rinse aid, 1 part water).

Too much rinse aid can cause streaks on the dishes, while too little can result in water stains.



# Settings

## Reprogramming

Some of the machine's functions can be reprogrammed. You get into the machine's change program using the machine's ordinary buttons as per the instructions below. The selection will be retained until the next time you reset this function.

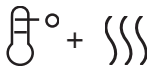
Even if the machine is turned off at the main switch or loses power for any other reason, all selections registered before the interruption of power will be retained.

## Child-safe button lock

You can prevent a child starting the machine by accident or changing the settings by programming the machine with a button lock, which requires the Temperature and Drying buttons to be pressed simultaneously to start up the machine. The button lock will automatically be reactivated after three minutes.



1. Switch off the dishwasher with the main switch.



2. Hold in the Temperature and Drying buttons while pressing the main switch. The temperature, drying and Start symbols will flash. Release the Temperature and Drying buttons.

**PROG**

3. Press the Program button— when the **AUT** wash symbol is lit, the Super rinse has been activated

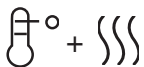
**START**  
**STOP**

4. Then press the Start/Stop button to store the setting.

or **Reset:**



1. Switch off the dishwasher with the main switch.



2. Hold in the Time saver button at the same time as pressing the main switch.

**PROG**

3. Press the Program button – when the Auto wash symbol goes out the Super rinse has been deactivated.

**START**  
**STOP**

4. Then press the Start/Stop button to confirm the setting.



## Super rinse

Super rinse means that two extra rinses will be added at the end of the main dish. Cannot be used in the Quick wash and Rinse & Hold programs.



1. Switch off the dishwasher with the main switch.



2. Hold in the Time saver button while pressing the main switch. The Time saver button and Start will flash. Release the Time saver button.

## PROG

3. Press the Program button— when the **AUT** wash symbol is lit, the Super rinse has been activated

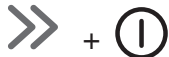
## START STOP

4. Then press the Start/Stop button to store the setting.



or **Reset:**

1. Switch off the dishwasher with the main switch.



2. Hold in the Time saver button at the same time as pressing the main switch.

## PROG

3. Press the Program button – when the Auto wash symbol goes out the Super rinse has been deactivated.

## START STOP

4. Then press the Start/Stop button to confirm the setting.



## Setting a signal

If you want the machine to signal when the wash is complete, you can program it to do this. The machine is set without a signal by default.



1. Switch off the dishwasher at the main switch.



2. Hold in the Delayed start button at the same time as you press the main switch. The button flashes. Release the button.

**PROG**

3. Press the Program button – when the Auto wash symbol lights, the signal is activated.

**START  
STOP**

4. Press the Start/Stop button and the setting will be stored until next time you want to make a change.

or **Reset**



1. Switch off the dishwasher with the main switch.



2. Hold in the Delayed start button at the same time as you press the main switch. The button flashes. Release the button.






**PROG**

3. Press the Program button – when the Auto wash symbol goes out, the signal is deactivated.

**START  
STOP**

4. Press the Start/Stop button and the setting will be stored until next time you want to make a change.

# Fault indications

Display		Type of fault	Action
	flashes	Too much water in the dishwasher	Phone service
	flashes	Fault with water inlet	Check that the water tap is open
	flashes	Valve leakage	Shut off the water tap and contact service
<b>AUT</b> 	flashes	Blocked drain	See 'Possible causes' in chapter Trouble shooting
<b>AUT</b> 	flashes	Clogged filter	Clean the filters, see chapter Cleaning

To remove the fault indications from the display, turn off the main switch and then turn it back on again.

# Troubleshooting

## Problems

**The dishes are not clean**

## Possible causes

- The spray arms are not rotating
- Old dishwasher detergent. Note! Detergent is perishable
- Incorrect dosage of detergent
- Wrong wash program selected
- Incorrect loading of the dishwasher
- Glasses and cups have tipped over during the wash
- Incorrectly set rinse aid dispenser
- Phosphate-free detergent in combination with hard water
- Too high a temperature and/or too much detergent can cause etching on (crystal) glass. Unfortunately this cannot be remedied, only prevented!
- Too high dosage of rinse aid

## Action

- Lift off the arms and clean
- Avoid large packs
- Dispense according to the level of water hardness
- Heavier programs are longer, and use higher temperatures for dirtier loads. Use a heavier program better suited for the load
- Do not cover china with large bowls or the like
- Try not to place too much tall glassware in the corners of the baskets
- Load the china securely
- See the chapter on rinse aid
- Change detergent
- Wash (crystal) glass at a low temperature and use dishwasher detergent sparingly. Contact the dishwasher detergent manufacturer
- Reduce dosage. See the chapter on rinse aid. If the water is very soft, you could try diluting the rinse aid with water (1 part rinse aid, 1 part water)

**Stains or a film on the china**

**The china has a whitish-blue sticky film**



## Problems

### Stains on stainless steel or silver

### Stains which remain after dishwashing

### Rattling sound during dishwashing

### The machine will not start

## Possible causes

- Certain food remnants such as mustard, mayonnaise, lemon, vinegar, salt, and dressings can cause stains on stainless steel if allowed to remain for any length of time. All stainless steel can mark silver if allowed to come into contact during the dishwashing process. Aluminum can also cause stains on dishes
- Lipstick and tea can be difficult to remove
- The dishes are not properly loaded or the spray arms are not rotating
- You have forgotten to switch on the main switch
- The door is not closed properly
- The home's circuit breaker has tripped
- The plug is not plugged in
- The water tap is off
- Overfilling/leakage
- A whirring sound (the drain pump) is heard from the machine, which ceases when the power is turned off at the main power switch

## Action

- Rinse off food residue of this type if you do not intend to start the dishwasher immediately
- Separate your cutlery into various compartments in the basket. Make sure silver and stainless steel are not together
- Heavier programs are longer, and use higher temperatures for dirtier loads. Use a heavier program better suited for the load
- Check that the china is loaded securely. Spin the spray arms to make sure they rotate
- Check
- Check
- Check
- Check
- Contact our Customer Care Center
- 1. Shut off the water tap
- 2. Unplug the electrical plug from the outlet
- 3. Contact our Customer Care Center at the number at the bottom of the page

## Problems

### Water remains in the machine

## Possible causes

- Obstruction in the drain hose
- Kinks in the drain hose
- The filters are clogged
- Objects in the drain pump
- Dirt around edges and corners

## Action

- Disconnect the drain hose where it is connected to the sink's water trap. Check that no debris has become stuck. Is the cone-shaped part of the pipe cut so that the diameter is at least 16 mm?
- Check that the hose is free from kinks or sharp bends
- Clean out the coarse filter, the fine filter and the filter
- Clean out the drain pump. See the chapter on cleaning
- Clean with a dishwashing brush and low-foaming detergent

### Bad odor in the machine

- Dirt along the strips and in corners

- Clean with a dish brush and low-lather detergent

### Dishes do not get sufficiently dry

- The Economy dry option has been selected
- The machine is not fully loaded
- Rinse aid is out or set for too small a dosage

- Activate the Normal drying option
- Load the machine full
- Fill or increase the amount of rinse aid
- Open the door slightly once the program has finished

### Door will not close

- The baskets are not correctly placed

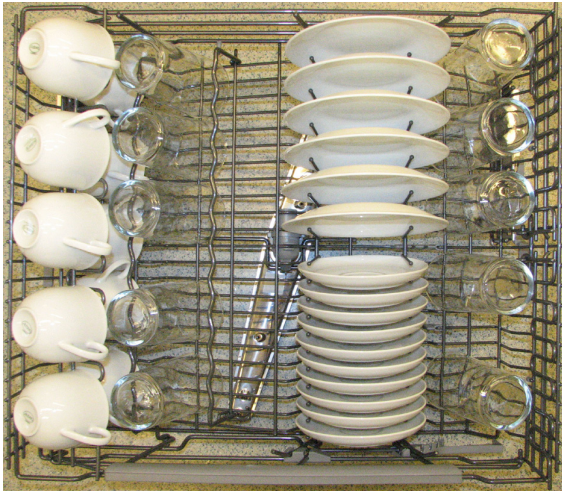
- Make sure the baskets are in a horizontal position. Check that the basket water connector is aligned with the spray pipe

# Performance information

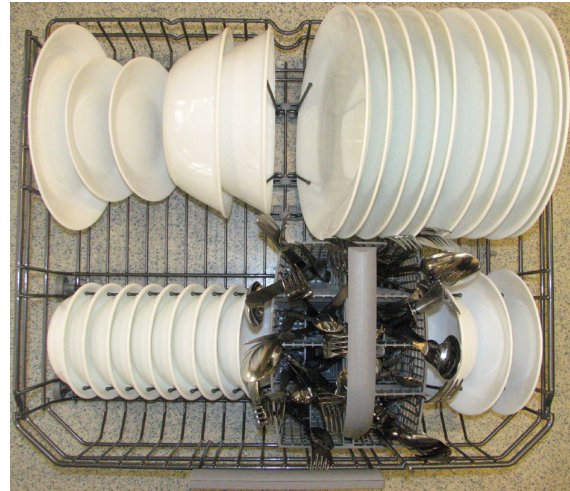
## Energy standard

<b>USA:</b>	Energy for label Wash performance	FTC, 10 CFR Part 430 ANSI/AHAM DW-1-2005
<b>CAN:</b>	Energy for label	CSA C 373-04
<b>Program for test:</b>	Normal program, Normal temperature (130°F main wash), Normal drying (120°F last rinse)	

## Loading of wash performance test



Upper basket with 10 place settings AHAM DW-1



Lower basket with 10 place settings AHAM DW-1

## Technical data

Height:	34-3/8" - 36-1/2" 870-920mm
Width:	24" (610mm)
Depth:	24" (610mm)
Weight:	105.8 lbs (48 kg)*
Water pressure	4.2 - 140 psi 0.03 - 1.0 MPa 0.3-10(Bar)
Electrical connection:	See serial tag/rating plate
Rated power:	See serial tag/rating plate

\*The weight can vary due to varying specifications.

# Service and guarantee

## Asko Appliances Inc. will not pay for:

1. Service calls to:
  - Correct the installation of the appliance.
  - Repair damage due to shipment, delivery, installation, misuse or abuse.
  - Instruct how to use the appliance.
  - Replace house fuses or correct house wiring.
  - Correct house plumbing, including drainage problems related to improper installation.
  - Clean or service air device in drain line.
2. Repair and/or replacement parts for failure of product if appliance is used for other than home/residential use.
3. Damage resulting from accident, fire, floods, acts of God, alteration, misuse, abuse, improper installation, or installation not in accordance with local electrical or

plumbing codes.

4. Any shipping costs for parts during the limited warranty period.
5. Replacement parts or repair labor costs for units operated outside the continental United States.
6. Pickup and delivery. ASKO washers are designed to be repaired in the home.

## In no event shall Asko Appliances Inc. be responsible for any incidental or consequential damages.

Some states will not allow the exclusion or limitation of incidental or consequential damages, so this exclusion or limitation may not apply to you. This warranty gives you specific legal rights and you may also have other rights which vary from state to state.

It is important to register your product warranty by logging onto [www.askousa.com/customer-care/registration](http://www.askousa.com/customer-care/registration) and filling out all required fields within 90 days from the date of purchase. After doing so, you will be e-mailed a certificate that will extend the original warranty for one additional year. If you do not have access to the internet, complete the warranty card included with the product and mail it to the address on the warranty card within 90 days of the date of purchase. Cosmetic damage must be reported to your dealer within five days from the date of purchase. After unpacking the washer, thoroughly check the unit for cosmetic damage.

<b>For residential installations only</b>	<b>Asko Appliances Inc. will pay for:</b>
Length of warranty Two-Year Full From date of purchase.	ASKO replacement parts and/or repair labor to correct defect in materials or workmanship. Service must be provided by an authorized ASKO service agent.
Third year full Complete your product warranty registration online at <a href="http://www.askousa.com/customer-care/registration">www.askousa.com/customer-care/registration</a> within 90 days from the date of purchase to extend the original warranty one additional year. If you do not have access to the internet, complete the warranty card included with the product and mail it to the address on the warranty card within 90 days of the date of purchase.	ASKO replacement parts and/or repair labor to correct defect in materials or workmanship. Service must be performed by an authorized ASKO service agent.

<b>For residential installations only</b>	<b>Asko Appliances Inc. will pay for:</b>
Lifetime	ASKO replacement parts (labor cost not included) for the stainless steel tank if it exhibits a manufacturing defect such as cracking or rusting through. Service must be provided by an authorized ASKO service agent.
For non-residential installations One-year Full Warranty from date of purchase.	ASKO replacement parts and/or repair labor to correct defect in materials or workmanship. Service must be provided by an authorized ASKO service agent.

**For warranty service, contact our Customer Care Center at the number listed below.** Before calling for service or contacting Asko Appliances Inc. regarding a warranty issue, make a note of the model, type name, and serial number.

**Write to us at:**  
**Asko Appliances Inc.**  
**P.O. Box 940609**  
**Plano, TX 75094-0609**

**Or contact our Customer Care Center at**  
**1-800-898-1879**  
**[www.askousa.com](http://www.askousa.com)**

# Quick Guide

**1. Load the baskets correctly!**

Thanks to the Self Cleaning System you don't need to rinse the dishes, simply scrape large food particles and debris.

**2. Dispensing dishwasher detergent**

The detergent compartment has a small compartment for pre-wash and one for main wash.

**3. Ensure that the spray arms can rotate freely**

**4. Turn on the main power switch**

**5. Select the program and press start**

**6. Close the door**

## Mini Program Guide

Programview						
Programs	Auto	Heavy	Normal	Delicate	Quick	Rinse & Hold
Program info	The dishwasher detects how soiled the dishes are and adjusts time, water consumption and temperature accordingly.	For heavily soiled loads, such as pots, pans, casseroles, etc.	For normally soiled loads such as plates, glasses, bowls, and lightly soiled pans.	For glass and china which has just been used and therefore does not need such a powerful program.	For lightly soiled loads that are washed immediately after use. This program can also be used for delicate items.	To rinse dishes that you plan to wash later that day.
Options						
Prewashes with SCS		2	2	1	--	--
Mainwash		130°F	150°F	120°F	140°F	--
Number of rinses	last rinse 140°F	3, last rinse 140°F	2, last rinse 160°F	2, last rinse 120°F	2, last rinse 140°F	1 rinse

Item No.: 80 825 42 Rev. 03 We reserve the right to make changes.

Printed on environmentally-friendly paper that meets the demands of Friends of the Earth and the Swedish Society for Nature Conservation.