

## Spare Parts Catalogue

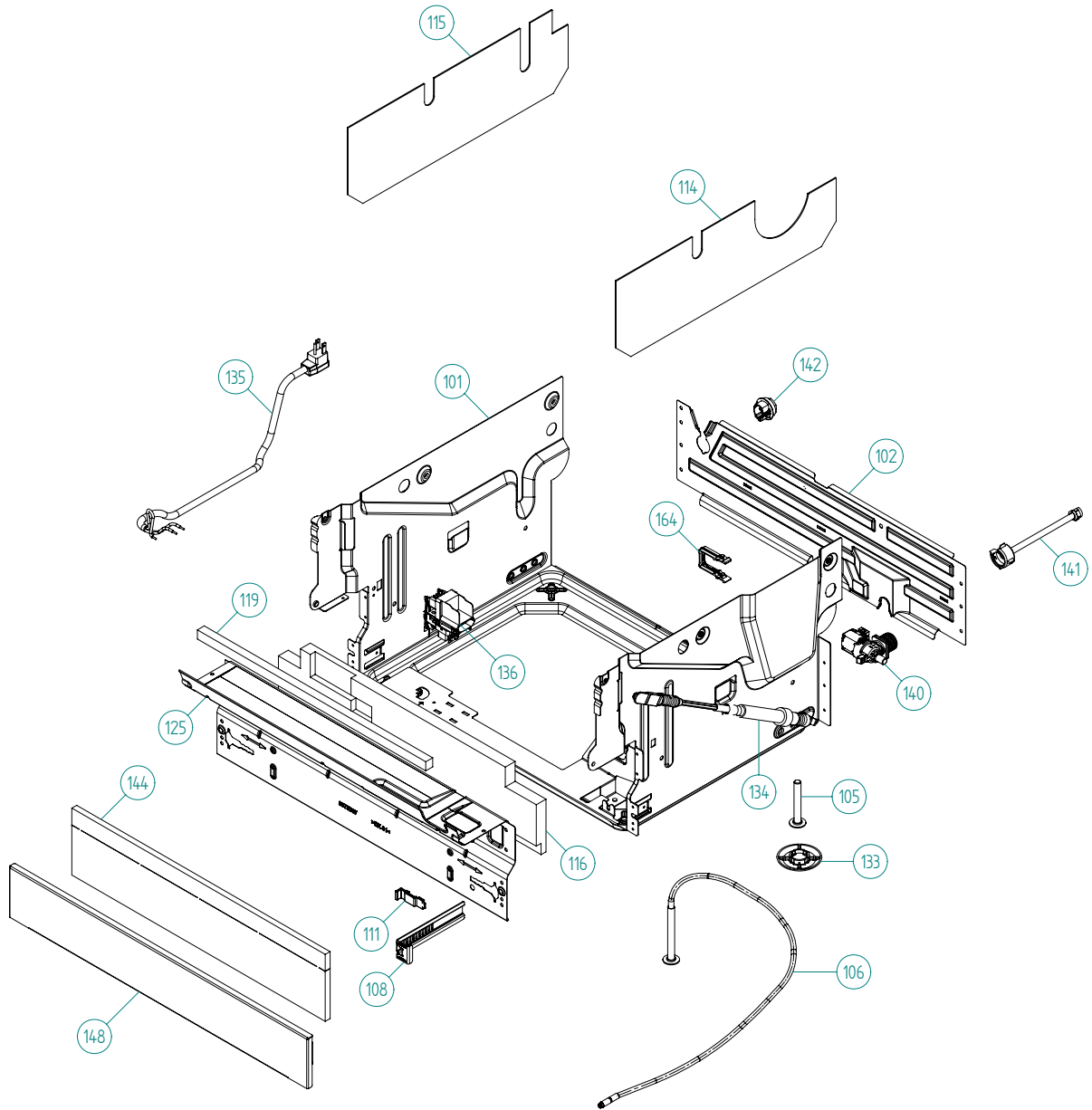
ASKO Dishwashers \ ASKO 5000 XXL Series  
Type: DW70.1  
Model: D5122 XXL US SS

Prod. No: 1075122121

April 24th 2012

**ASKO Appliances Inc.**

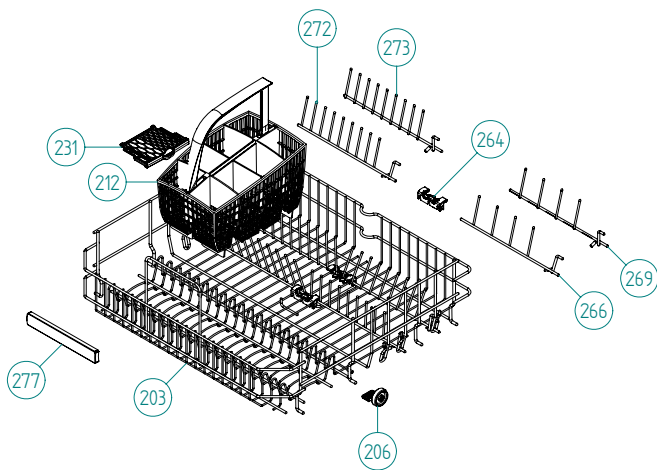
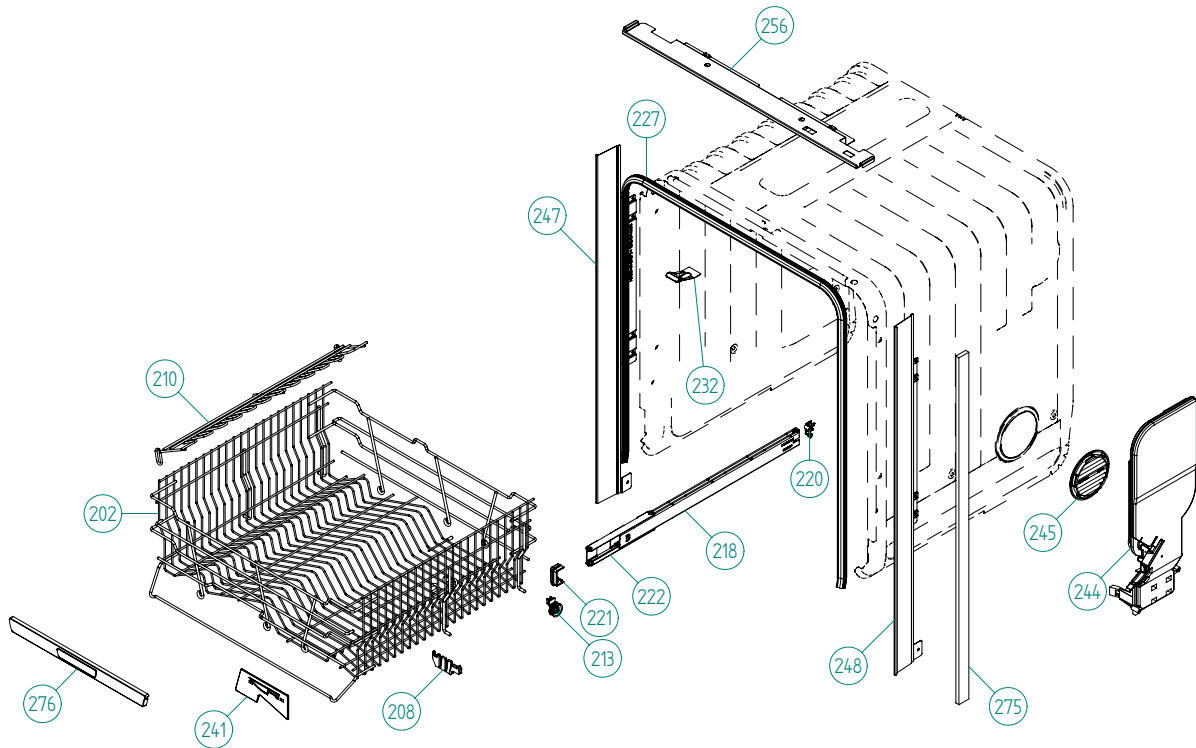
4001 E Plano Parkway #1004001 E Plano Parkway #100  
Plano, Texas 75074



## **Base and related parts**

### **ASKO, D5122 XXL US - SS (DW70.1)**

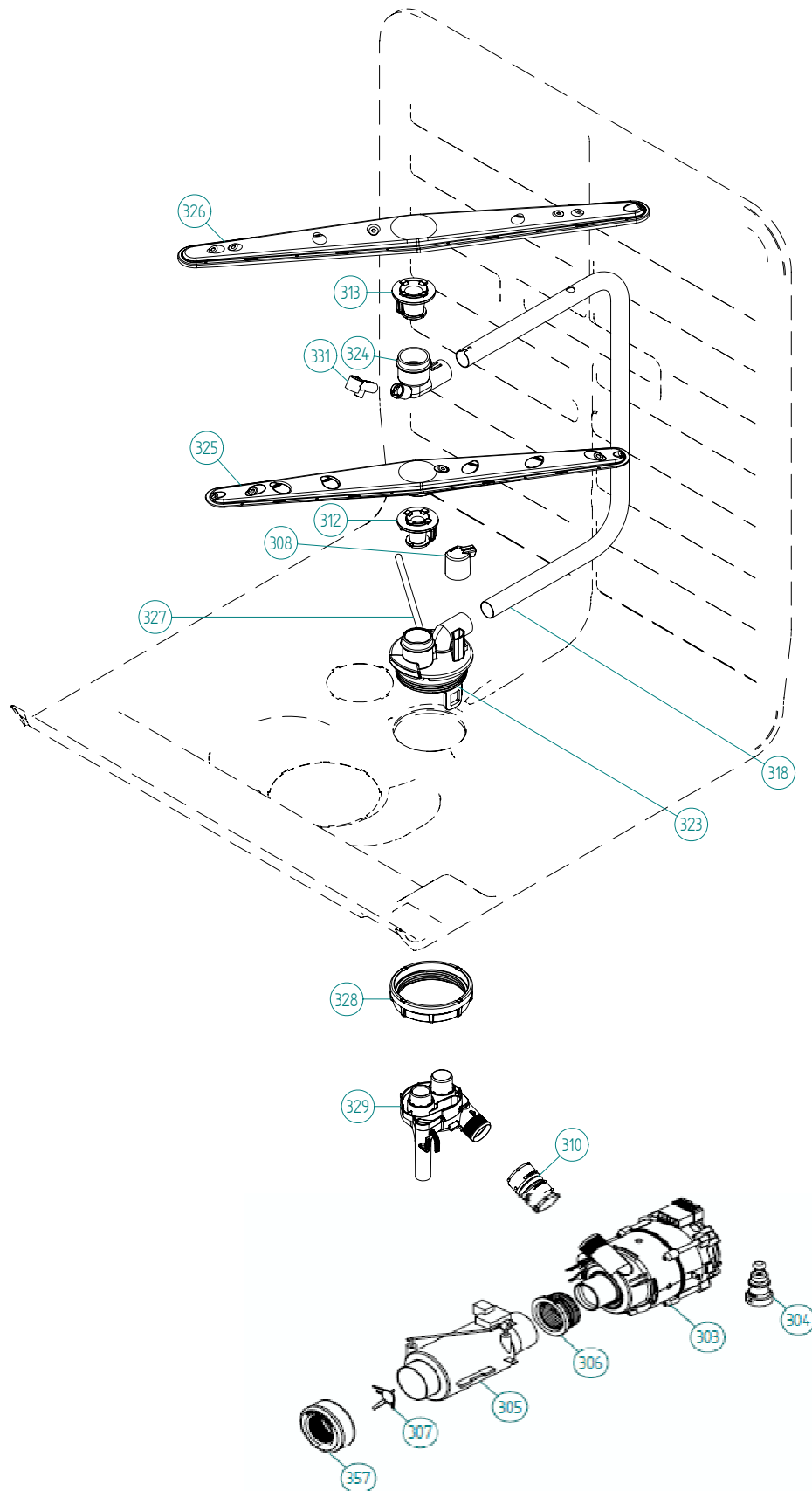
<b>Pos</b>	<b>Spare part No.</b>	<b>Description</b>	<b>Qty</b>	<b>Comment</b>
101	8801387	BOTTOM OUTER COMPL.	1 Pc's	
101-a	8901104	Screw 20 Torx Machine	2 Pc's	
101-b	8901110	Screw w/ORing DW 05/06 25T	4 Pc's	
102	8078006	REAR PANEL	1 Pc's	
105	8074228	Leveling Foot M10X75 T30 8.8 FZB	2 Pc's	
106	8082222	FOOT ADJUSTABLE FROM FRONT CPL	1 Pc's	
108	8073480	Toe Kick bracket Right & Left	2 Pc's	
111	8073481-49	Toe Kick Bracket Clip L-Grey	2 Pc's	
114	8078109	SOUND ABSORP. SELF AD. RIGHT	1 Pc's	
115	8078108	SOUND ABSORP. SELF AD. LEFT	1 Pc's	
116	8078114	SOUND ABSORBENT GUARD PLATE	1 Pc's	
119	8078122	SOUND ABSORPTION PROFILE	1 Pc's	
125	8078008	GUARD PLATE STRAIGHT	1 Pc's	
133	8051957	Glide Foot	3 Pc's	
134	8079528	Door Spring-DW70-Yellow	2 Pc's	
135	8079046	CORD SET AMERICA	1 Pc's	
136	8079045	TERMINAL BLOCK D3000 W/ RFI	1 Pc's	
136-a	8902131	Screw	1 Pc's	
140	8801376	KIT INL.VALVE/LOCKARM SING120V	1 Pc's	
140-a	8079597	LOCK ARM INLET VALVE	1 Pc's	
141	8079522	PEX Inlet hose DW	1 Pc's	
142	8006948	Grommet	1 Pc's	
148	8073506-81	kick plate metallic	1 Pc's	
162	8079832	CABLE HOLDER SRC-8-01	1 Pc's	
164	8079597	LOCK ARM INLET VALVE	1 Pc's	



## Baskets and related parts

### ASKO, D5122 XXL US - SS (DW70.1)

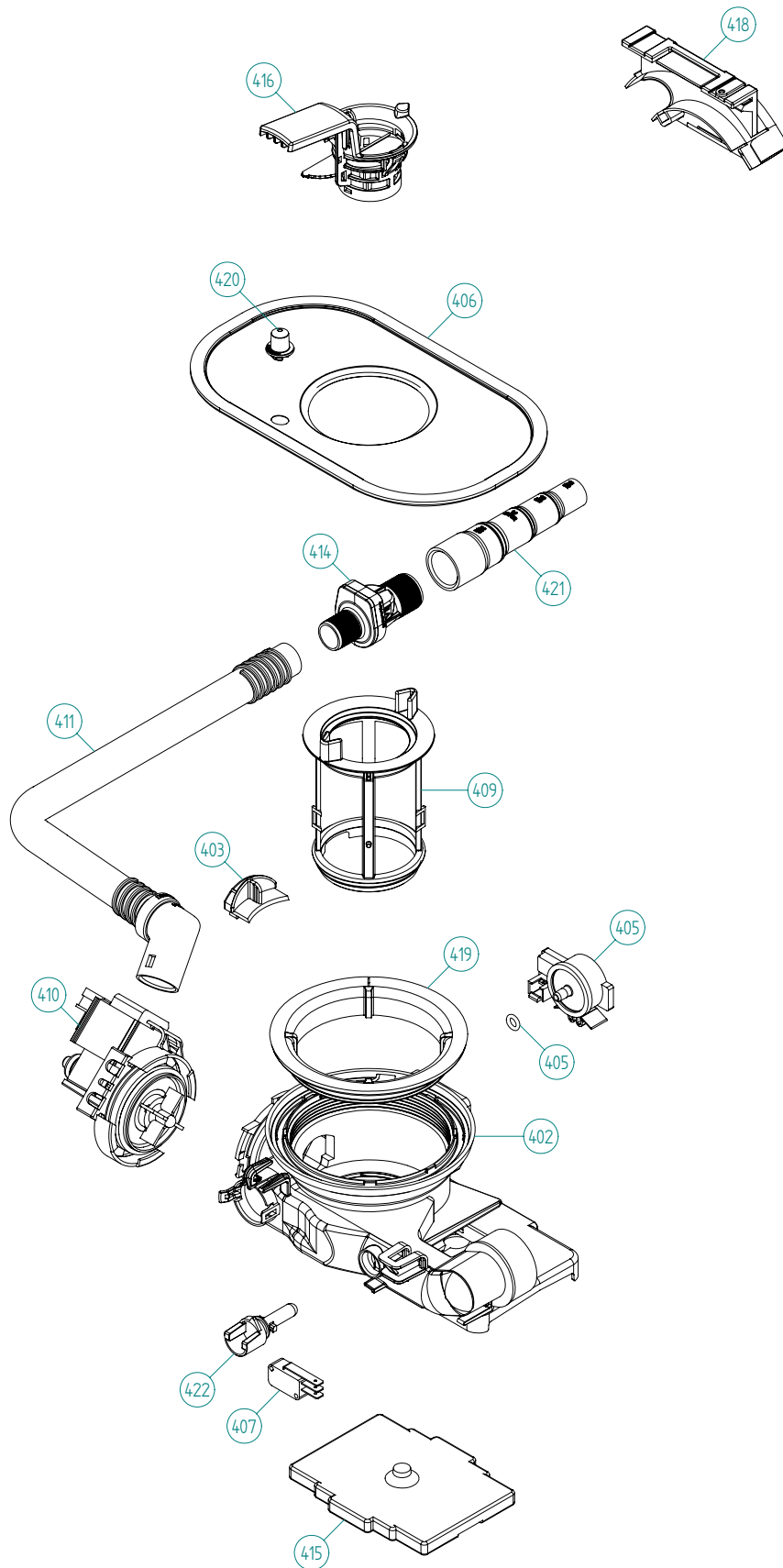
Pos	Spare part No.	Description	Qty	Comment
201	8057056	-	1 Pc's	Not a spare part
202	8801315-36	UPPER BASKET EXCL. CPL D.GREY	1 Pc's	
203	8801316-36	LOWER BASKET EXCL D.GREY 07	1 Pc's	New design
206	8079257-77	WHEEL FOR LOW DISHW BASKET CPL	8 Pc's	
208	8071214-77	Knife Holder 05/06 DW	2 Pc's	
210	8071337-36	Cup Shelf Wine Glass 05/06 DW	2 Pc's	
212	8801396-77	Cutlery Bskt for Stnd Tines	1 Pc's	
213	8058498-77	Upper Basket Wheel	4 Pc's	
218	8801350	DW Upper Basket Guide Rail Kit	2 Pc's	
220	8057978-77	DW Rail Stop - Back Grey	2 Pc's	
221	8088703-77	BASKET STOP	2 Pc's	
222	8801349-77	KIT BALL HOLDER INCL. BALLS	1 Pc's	
225	8057978-77	DW Rail Stop - Back Grey	2 Pc's	
227	8057489-F	DOOR STRIP XXL DW70	1 Pc's	
231	8079251-77	DOOR CUTLERYBASKET UL4	1 Pc's	
232	8801240	Lock Catch incl Screw&Nut	1 Pc's	
241	8057506-77	Knife Stop	1 Pc's	
244	8078300	AIRBREAK STD. DW70 UL4	1 Pc's	
245	8057536-77	LOCKRING AIREBREAKER GREY	1 Pc's	
247	8074342-E-90	Trim Strip Left XXL SS	1 Pc's	
247-a	8900646	Screw 20 Torx SS	2 Pc's	
248	8074343-E-90	Trim Strip Right XXL SS	1 Pc's	
248-a	8900646	Screw 20 Torx SS	2 Pc's	
256	8075663-90	Top Trim Rail Low Stainless	1 Pc's	
264	8076632-77	Holder	3 Pc's	
266	8079130-36	PlateRack short/wide R-FT	1 Pc's	
269	8079131-36	PlateRack short/wide R-BK	1 Pc's	
272	8079123-36	PlateRack short/narrow L-FT	1 Pc's	
273	8079124-36	PlateRack short/narrow L-BK	1 Pc's	
275	8070614	SEALING STRIPE TRIM STRIPE USA	2 Pc's	
276	8801330-77	HANDLE U-BASKET COMPL. ASKO	1 Pc's	
277	8801332-77	HANDLE LOWER BASKET COMPL.	1 Pc's	



## Wash System

### ASKO, D5122 XXL US - SS (DW70.1)

Pos	Spare part No.	Description	Qty	Comment
301	8078001	-	1 Pc's	Not a spare part
303	8078082	CIRC.PUMP 120V 60HZ	1 Pc's	
303-a	8083804	Capacitor 7 0UF 400V P2 CLASS	1 Pc's	
304	8075130	Rubber Damper Circ Pump	1 Pc's	
305	8801463	HEATER W.INSERT 1200W120V DW70	1 Pc's	
306	8079531	SEALING HEATER DW70 UL4	2 Pc's	Only 1 pc from 2009-06-11
307	8079575	INSERT FOR HEATER	1 Pc's	
308	8073385-77	Cup Drainage Gray	1 Pc's	
310	8801409	Hose Circ Pump	1 Pc's	
310-a	8056491	HOSE CLIP 30.1-708	2 Pc's	
312	8801270	Spray Arm Bearing Kit	1 Pc's	
313	8801268	Spray Arm Bearing Kit	1 Pc's	
318	8073387-E	SPRAY PIPE Ø18 XXL	1 Pc's	
323	8801270	KIT SPRAYARM BEAR. LOW NOZZLE	1 Pc's	
323-a	8901765	ORing det Comp 03/04 DW	1 Pc's	
324	8801268	KIT SPRAYARM BEAR. UPPER DW20	1 Pc's	
325	8072891	Spray Arm Lower Complete	1 Pc's	
326	8072894	Spray Arm Upper Complete	1 Pc's	
327	8073381	Tube Pot Rinse	1 Pc's	
327-a	8902085	Screw 20T for Plastic	2 Pc's	
328	8071607	Locking Spray Pipe Bearing	1 Pc's	
329	8078086	INTERMEDIATE	1 Pc's	
331	8072543-77	Spray Nozzle	1 Pc's	For part no 8073381 and 8076902-L-77
357	8083603	SEALING HEATER BOTTOM SUMP	1 Pc's	

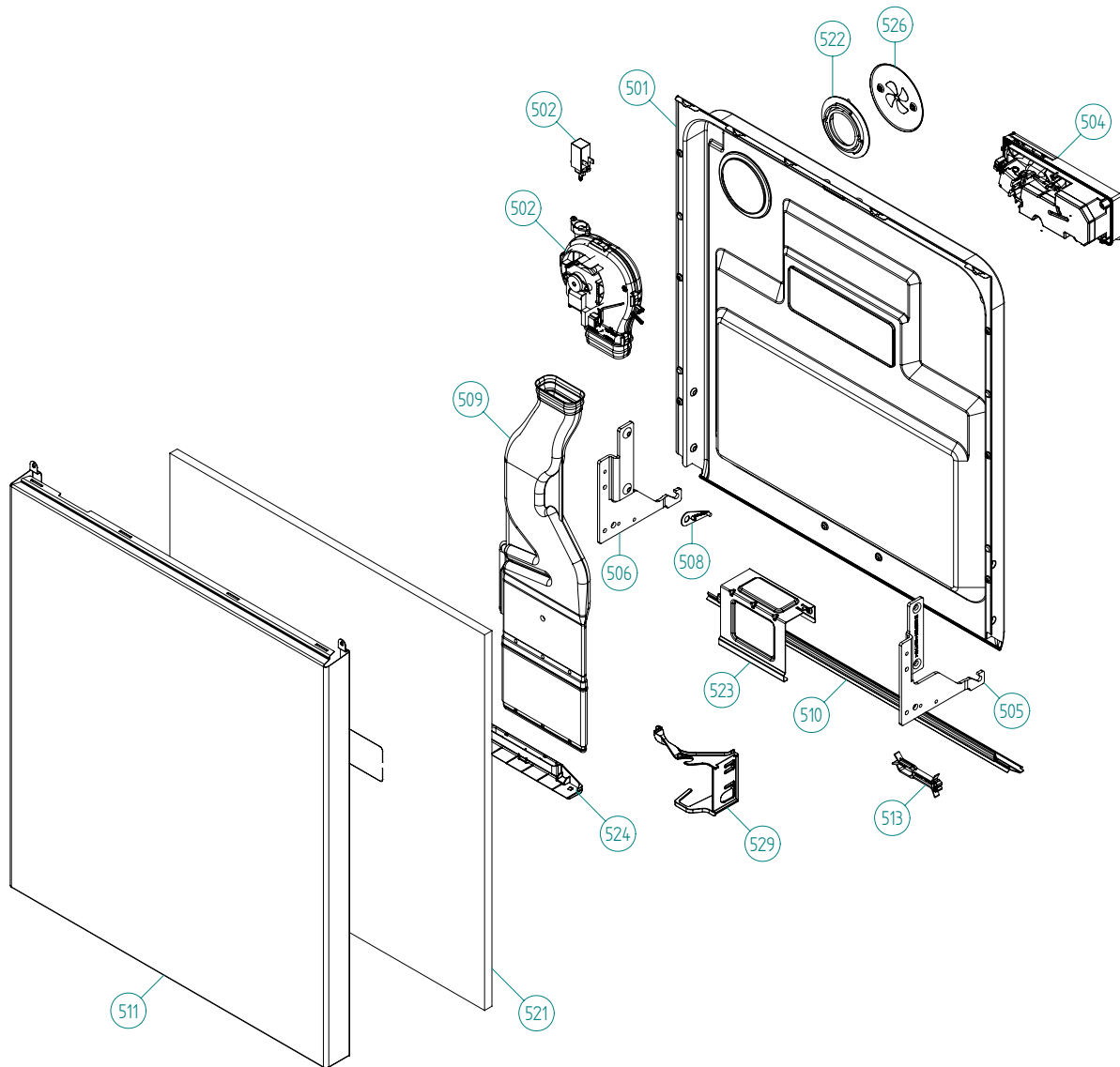




## **Bottom well and related parts**

### **ASKO, D5122 XXL US - SS (DW70.1)**

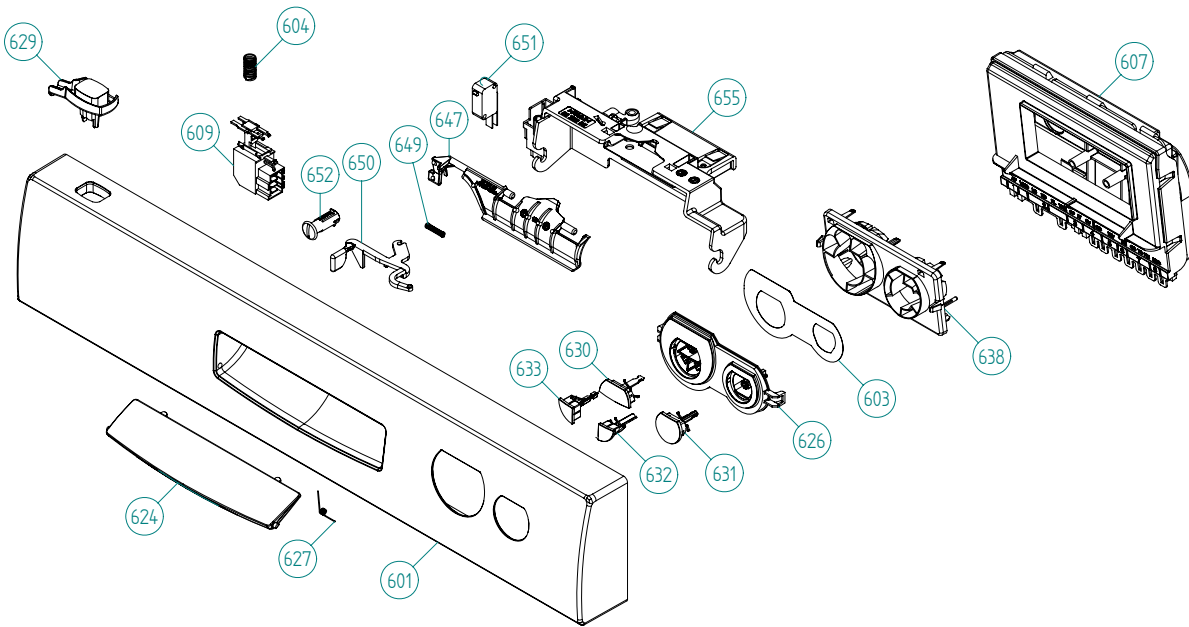
<b>Pos</b>	<b>Spare part No.</b>	<b>Description</b>	<b>Qty</b>	<b>Comment</b>
402	8084691	BOTTOM WELL PRESSURE SENS. UL4	1 Pc's	
402	8801451	KIT BOTTOM W.NO RET.VALVE 1SEN	1 Pc's	
402-a	8073002	ORing	1 Pc's	
403	8078033	Rinse Cap Bottom Well - Yellow	1 Pc's	
405	8073839	Pressure Sensor	1 Pc's	
405-a	8074040	O-Ring-Press Sensor	1 Pc's	
406	8074364	Strainer DW20	1 Pc's	
407	8073835	Microswitch Float	1 Pc's	
409	8078038-77	Pipe Filter DW70	1 Pc's	
410	8078089	Drain Pump 120V 60Hz	1 Pc's	
411	8079693	Outlet Hose w/o Return Valve	1 Pc's	
411	8083478	OUTLET HOSE HARD END CUFF US	1 Pc's	
411-a	8901768	O-RING 32,3X3 (BD)	1 Pc's	
414	8801248	Check Valve Kit	1 Pc's	
414-a	8052239	Hose Clamp	1 Pc's	
414-b	8053642	Hose Clamp	1 Pc's	
415	8078025	Float	1 Pc's	
416	8078039-77	Strainer Basket Grey	1 Pc's	
418	8072528-77	Holder Outlet Hose	1 Pc's	
418-a	8053642	Hose Clamp	1 Pc's	
418-b	8052239	Hose Clamp	1 Pc's	
418-c	33700450	Cable Strip	1 Pc's	
418-d	8902072	SCREW PT KB40X10 WN1442 GALV	1 Pc's	
419	8072848	Lockring Bottom Well	1 Pc's	
420	8074760-77	Ventilator	1 Pc's	
421	8075321	End Cuff	1 Pc's	
426	8078024	SEALING NON RETURN VALVE	1 Pc's	
427	8901768	O-RING 32,3X3 (BD)	1 Pc's	



## Inner door, panel and related parts

### ASKO, D5122 XXL US - SS (DW70.1)

Pos	Spare part No.	Description	Qty	Comment
501	8801380	Door Inner w/Fan XXL DW70	1 Pc's	
501-a	8900646	Screw 20 Torx SS	6 Pc's	
501-b	8902121	SCREW A2-MKFT 5X10	4 Pc's	
502	8089580	Fan Complete 120V	1 Pc's	
502-a	8058501	ORing Turbo Fan Dry 05/06 DW	1 Pc's	
502-b	8801438	KIT WITH NEW WAXMOTOR DW	1 Pc's	
504	8801343-77	KIT Combi Dispenser 120V	1 Pc's	
504-a	8071918	Seal Det Comp Lid	1 Pc's	
504-b	8071917	CAP RINSE AGENT	1 Pc's	
504-c	8071918	Detergent Lid Complete	1 Pc's	
504-d	8072288	Sealing Strip Combi Disp.	1 Pc's	
504-f	8902087	Screw Plastic Housing 20 Torx	6 Pc's	
505	8801458	HINGE RIGHT COMPL. DW70	1 Pc's	
506	8801459	HINGE LEFT COMPL. DW70	1 Pc's	
507	8057530	Screw hinge 05	2 Pc's	
507-a	33500262	Nut Term Block	2 Pc's	
508	Repl by 8801458 & 8801459	Slide washer hinge bearing 05	2 Pc's	
509	8078040	Air Channel DW70	1 Pc's	
510	8801294	DOOR SEAL LOWER W.CORNER GUARD	1 Pc's	
511	8076933-90	Outer Door XL Touchproof	1 Pc's	
511-a	8900646	Screw 20 Torx SS	6 Pc's	
513	8074015	CABLE BRACKET DOOR	1 Pc's	
521	8071240	Sound Absorbtion Outer Door	1 Pc's	
522	8089401	LOCKKING RING 2 FAN HOUSE UL4	1 Pc's	
522-a	8902085	Screw 20T for Plastic	2 Pc's	
523	8057983	Brace	1 Pc's	
523-a	8900646	Screw 20 Torx SS	2 Pc's	
523-b	8902357	Screw	2 Pc's	
524	8078041-33	NOZZLE AIR DUCT	1 Pc's	
526	8058484	SS Coverplate Turbo Fan DW	1 Pc's	
526-a	8902085	Screw 20T for Plastic	2 Pc's	
529	8074278	Bracket for harness	1 Pc's	



## Control panel and related parts

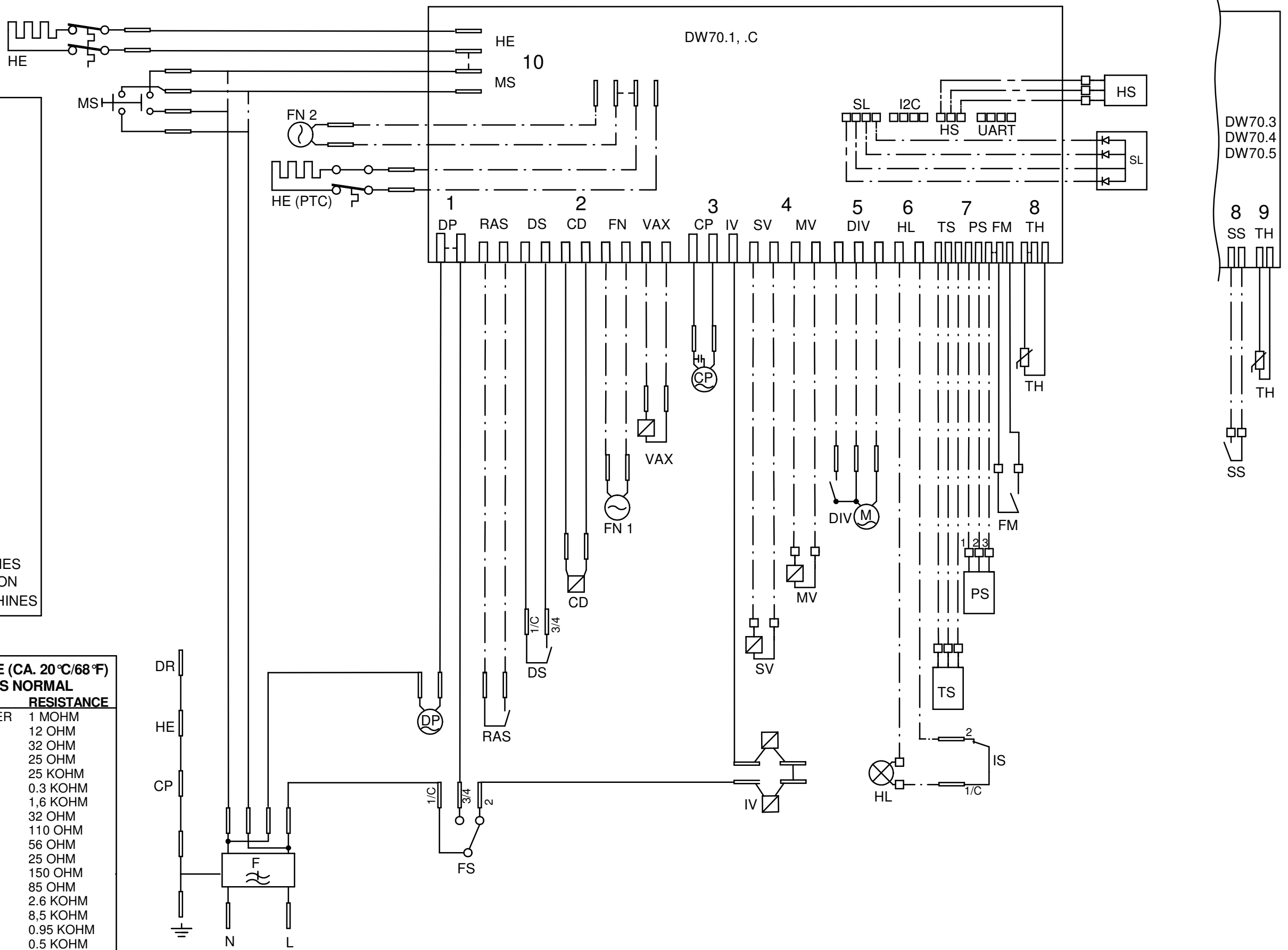
### ASKO, D5122 XXL US - SS (DW70.1)

Pos	Spare part No.	Description	Qty	Comment
601	8082701-81-UL	Control Panel 5122XXL	1 Pc's	
602	8078191	program info label 3122	1 Pc's	
602	8078206	program info lable FR	1 Pc's	
603	8074957	Decor Plate Graphic	1 Pc's	
604	8074277	SPRING MAIN SWITCH	1 Pc's	
607	8801362	Control Unit DW70.1	1 Pc's	
609	8073782	MAIN PUSH SWITCH	1 Pc's	
611	8075742	CABLE SET DOOR WITH FAN	1 Pc's	
614	8078068	CABLE SET CI.PUMP IN.VALVE UL4	1 Pc's	
616	8078067	CABLE SET FLOW & PRESSURE UL4	1 Pc's	
618	8078070	CABLE SET POWER UL4	1 Pc's	
619	8078066	CABLE SET THERM. DW70.1 .C UL4	1 Pc's	
622	8078063	CABLE SET DRAIN UL4	1 Pc's	
624	8073470-81	Cover for Handle Metal Gray	1 Pc's	
626	8074000	Lens DW320	1 Pc's	
627	8074464	SPRING FOR LID HANDLE	1 Pc's	
629	8075078-81	Push Button Main Switch Graphi	1 Pc's	
630	8075082-81	Push Button Prog	1 Pc's	
631	8075081-81	Push Button Start/Stop	1 Pc's	
632	8075084-81	Push Button Right Opt.	1 Pc's	
633	8075083-81	Push Button Left Opt	1 Pc's	
638	8074008	Light Guide	1 Pc's	
647	8072906-UL	Catch Handle	1 Pc's	
649	8075790	Spring Door Lock Handle	1 Pc's	
649	8072908	SPRING LOCK	1 Pc's	
650	8072907	Control Arm Safety Catch	1 Pc's	
651	8073836	MICROSWITCH DOOR	1 Pc's	
652	8057545	Rotary catch child safety 05	1 Pc's	
655	8072905-UL	Protection Catch	1 Pc's	
655-a	8902085	Screw 20T for Plastic	2 Pc's	

- CD: COMBI DISPENSER
  - CP: CIRCULATION PUMP
  - DIV: WATER DIVERTER VALVE
  - DP: DRAIN PUMP
  - DR: DOOR
  - DS: DOOR SWITCH
  - F: FILTER
  - FM: FLOW METER
  - FN 1: FAN DOOR
  - FN 2: FAN BOTTOM
  - FS: FLOAT SWITCH
  - HE: HEATING ELEMENT
  - HE (PTC): HEATING ELEMENT PTC
  - HL: HALOGEN LAMP
  - HS: HUMIDITY SENSOR
  - IS: ILLUM. SWITCH
  - IV: INLET VALVE
  - I2C: I2C
  - MS: MAIN SWITCH
  - MV: MIX VALVE
  - PS: PRESSURE SENSOR
  - RAS: RINSE AID SENSOR
  - SL: STATUS LIGHT
  - SS: SALT SENSOR
  - SV: SALT VALVE
  - TH: THERMISTOR
  - TS: TURBIDITY SENSOR
  - UART: UART
  - VAX: VAX ACTUATOR
- WIRES IN ALL MACHINES  
 - - - INTERNAL CONNECTION  
 - · - WIRES IN SOME MACHINES

**RESISTANCES AT ROOM TEMPERATURE (CA. 20°C/68°F)**  
**VALUES WITH +/-10% ARE REGARDED AS NORMAL**

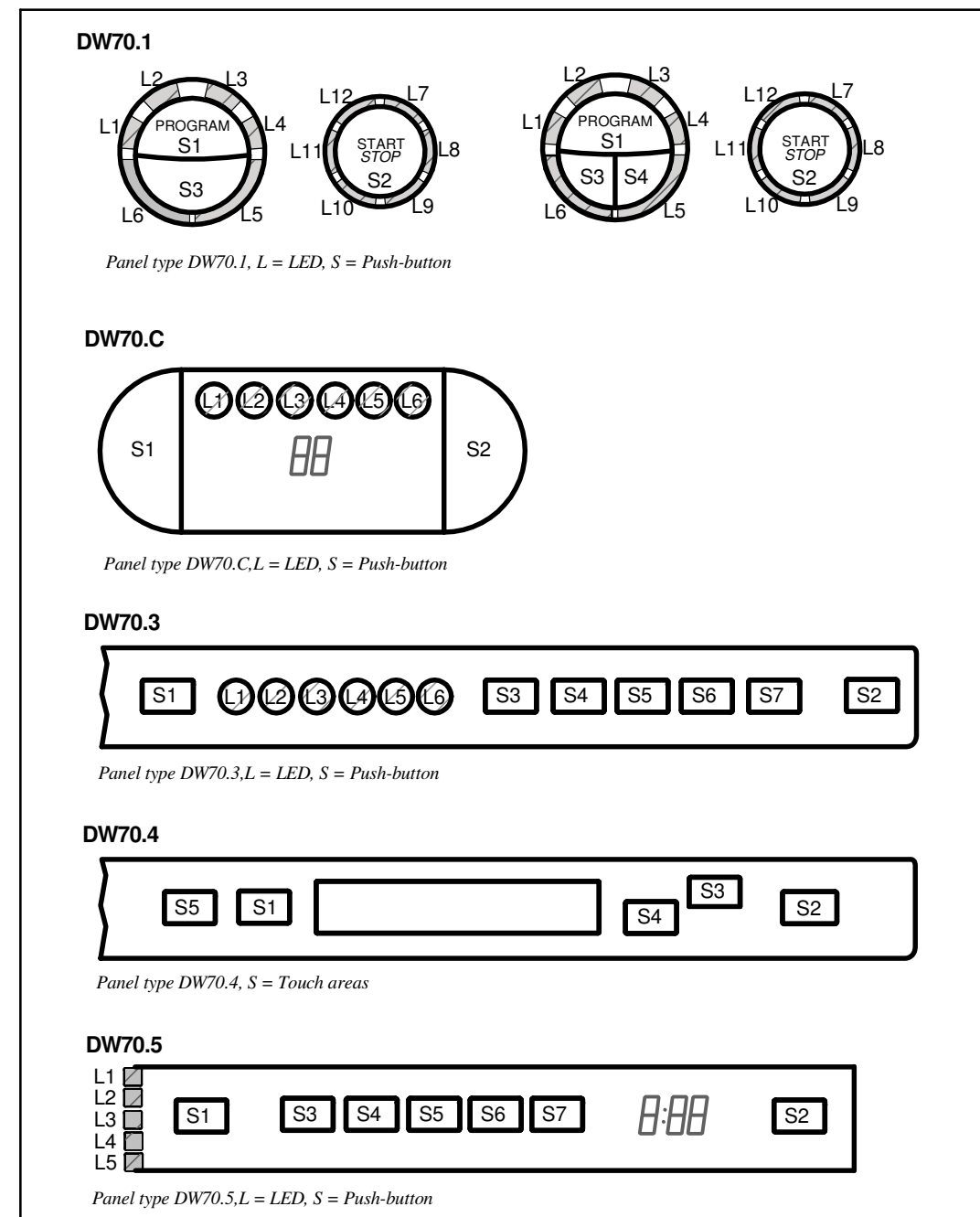
COMPONENT	RESISTANCE
RADIO INTERFERENCE SUPPRESSION FILTER	1 MOHM
HEATING ELEMENT 1200W 120V	12 OHM
HEATING ELEMENT 1600W 230V	32 OHM
HEATING ELEMENT 2040W 230V	25 OHM
THERMISTOR	25 KOHM
COMBINED DISPENSER 120V	0.3 KOHM
COMBINED DISPENSER 230V	1,6 KOHM
CIRCULATION PUMP 120V 60HZ	32 OHM
CIRCULATION PUMP 230V 50HZ	110 OHM
CIRCULATION PUMP 220V 60HZ	56 OHM
DRAIN PUMP 120V 60HZ	25 OHM
DRAIN PUMP 230V 50HZ	150 OHM
DRAIN PUMP 230V 60HZ	85 OHM
SPRAY ARM DIVIDER 120V 60HZ	2.6 KOHM
SPRAY ARM DIVIDER 230V 50/60HZ	8,5 KOHM
INLET VALVE SINGLE INCL. 120V	0.95 KOHM
INLET VALVE SAFETY INCL. 120V	0.5 KOHM
INLET VALVE SINGLE INCL. 230V	3,9 KOHM
INLET VALVE SAFETY INCL. 230V	2 KOHM
SALT VALVE 120V	0,65 KOHM
MIX VALVE 120V	0,65 KOHM
SALT VALVE 230V	3 KOHM
MIX VALVE 230V	2,3 KOHM
HALOGEN LAMP 5W 12V	<10 KOHM
WAX MOTOR	1.1 KOHM
FAN MOTOR 120V	0.18 KOHM
FAN MOTOR 230V	0,85 KOHM



CIRCUIT DIAGRAM DW70.1, .3, .4, .5, .C  
**80 796 55 - 01**

This document must not be copied without our written permission, and the contents thereof must not be imparted to a third party nor be used for any unauthorized purpose. Contravention will be prosecuted. Asko Appliances AB

## Displays



### TOTAL RESET

TURN OFF MAIN SWITCH  
 WAIT FOR AT LEAST 5 SECS  
 HOLD PROGRAM BUTTON (S1), FOR DW70.4 HOLD PROGRAM BUTTON (S1)  
 AND NAVIGATION BUTTON (S4).  
 TURN ON MAIN SWITCH  
 RELEASE PROGRAM BUTTON (S1), FOR DW70.4 RELEASE PROGRAM BUTTON (S1)  
 AND NAVIGATION BUTTON (S4).

### SERVICE MENU

TURN OFF MAIN SWITCH  
 WAIT FOR AT LEAST 5 SECS  
 HOLD PROGRAM AND START BUTTONS (S1 & S2)  
 TURN ON MAIN SWITCH  
 RELEASE PROGRAM AND START BUTTONS (S1 & S2)

### VARIANT SETTING (NOT DW70.4)

HOLD PROGRAM AND START BUTTONS (S1 & S2)  
 TURN ON MAIN SWITCH  
 RELEASE PROGRAM AND START BUTTONS  
 PRESS START (S2) 3 TIMES WITHIN 5 SECS  
 SELECT VARIANT BY START BUTTON (S1) AND  
 CONFIRM BY START BUTTON (S2)

## COMPONENT TEST:

**First enter Service menu.**

### DW70.1, DW70.3, DW70.5 and DW70.C

Component test:

Press the Program button (S1) and index through the following components:

1. Inlet valve and mix valve (only machines with water softener)
2. Inlet valve
3. Salt valve (only machines with water softener)
4. Detergent and surfactant dispenser
5. Circulation pump
6. Heating element and circulation pump (Max 75°C)
7. Fans
8. Drain pump

### DW70.4

**First enter service menu.**

Go to service menu step 2, Diagnostics, by pressing S4

Press (S3) to activate the following components:

1. Valve (Inlet valve and mix valve (only machines with water softener), display flowsensor value)
2. Valve (Inlet valve, display flowsensor value)
3. Salt (Salt valve, only machines with water softener)
4. Disp (Detergent and surfactant dispenser)
5. Circ (Circulation pump, display shows turbidity in Volts)
6. Heat (Heating element and circulation pump (Max 75°C))
7. Fans (display shows humidity sensor value)
8. Drain (Drain pump, display shows pressure sensor reading; 0.5-3.5 VDC)

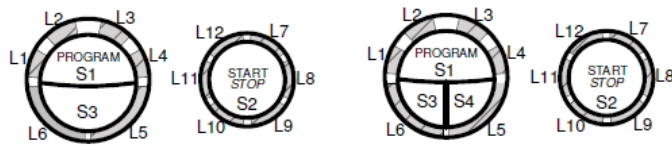
CIRCUIT DIAGRAM DW70.1, .3, .4, .5, .C

80 796 55 - 01

This document must not be copied without our written permission, and the contents thereof must not be imparted to a third party nor be used for any unauthorized purpose. Contravention will be prosecuted.  
 Asko Appliances AB

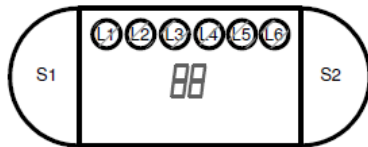
## Displayer

### DW70.1



Paneltyp DW70.1, L=LED, S= Tryckknapp

### DW70.C



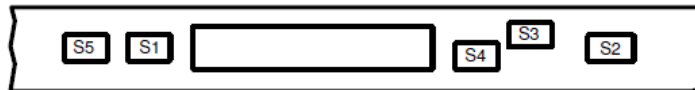
Paneltyp DW70.C, L=LED, S= Tryckknapp

### DW70.3



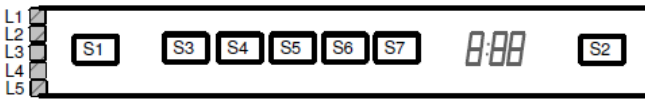
Paneltyp DW70.3 L=LED, S= Tryckknapp

### DW70.4



Paneltyp DW70.4, S = Tryckområde

### DW70.5



Paneltyp DW70.5 L=LED, S= Tryckknapp

## Återställning

- Stäng av huvudströmbrytaren.
- Vänta i åtminstone 5 sekunder.
- Håll nere programknappen (S1) (för DW70.4 håll nere programknappen (S1) och navigationsknappen (S4)).
- Slå på huvudströmbrytaren (S1).
- Släpp programknappen (S1) (för DW70.4, släpp programknappen (S1) och navigationsknappen (S4)).

## Servicemeny

- Stäng av huvudströmbrytaren.
- Vänta i åtminstone 5 sekunder.
- Håll program- och startknappen (S1 & S2) intryckta.
- Slå på huvudströmbrytaren.
- Släpp program- och startknappen (S1 & S2).

## Variantinställning (ej DW70.4)

- Håll program- och startknapp (S1 & S2) intryckta.
- Slå på huvudströmbrytaren
- Släpp program- och startknapparna (S1 & S2)
- Tryck på startknappen (S2) 3 gånger inom 5 sekunder.
- Välj variant genom att trycka på startknappen (S2) och bekräfta ditt val genom att trycka på programknappen (S1)

## Komponenttest:

Gå först in i Servicemenyn.

### DW70.1, DW70.3, DW70.5 och DW70.C

Komponenttest:

Tryck på knappen (S1) och stega igenom följande komponenter:

1. Inloppsventil och mixventil (endast maskiner med avhårdare)
2. Inloppsventil
3. Saltventil (endast maskiner med avhårdare)
4. Diskmedel och sköljmedelsdoserare
5. Cirkulationspump
6. Värmeelement och cirkulationspump (Max 75°C)
7. Fläktar
8. Avloppspump

### DW70.4

Gå först in i servicemenyn.

Gå först till servicemenyn steg 2 genom att trycka på knappen (S4)

Tryck på knappen (S3) för att aktivera följande komponenter.

1. Ventil (Inloppsventil och mixventil (endast maskiner med avhårdare) display visar intagen vattenmängd i antal pulser; pulsmätare är placerad i luftavbrottet).
2. Ventil (Inloppsventil, visar trycksensorvärde)
3. Salt (Saltventil, endast maskiner med avhårdare)
4. Behållare (Disk- och vätmedelsdoserare)
5. Cirkulation (Cirkulationspump)
6. Värme (Värmeelement och cirkulationspump (Max 75 °C))
7. Fläktar (Displayen visar fuktensorvärde)
8. Avloppspump