

PRODUCT SPECIFICATIONS SWB500I Wood Burning



INTERIOR DIMENSIONS

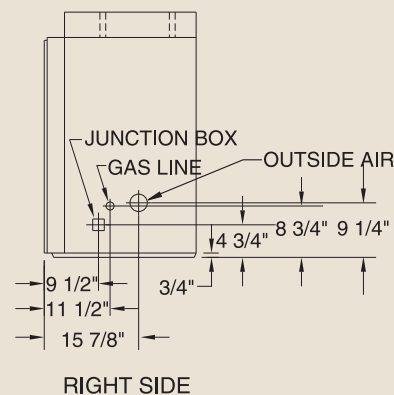
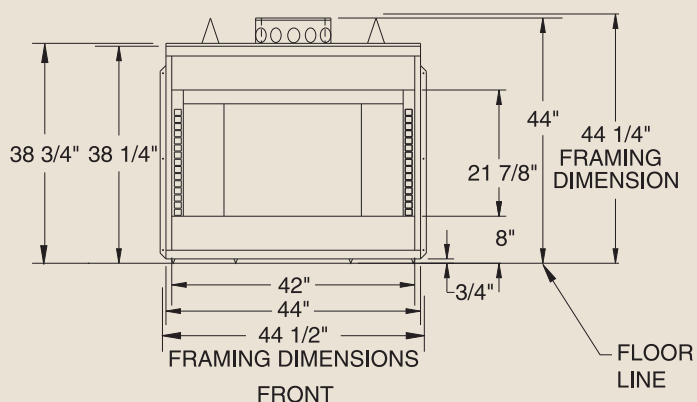
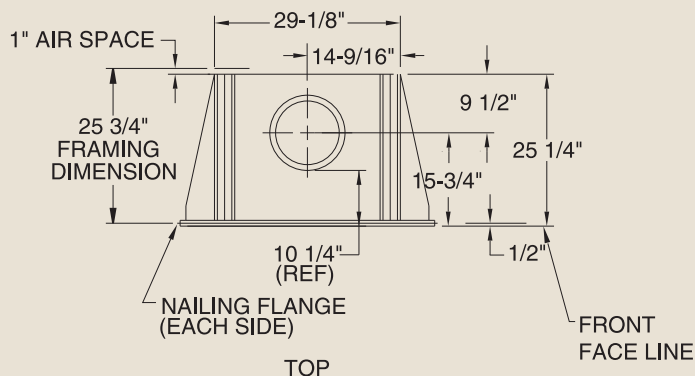
Front opening width: 42"
 Front opening height: 21 7/8"
 Rear wall width: 24"
 Hearth Depth: 20 1/4"

TECHNICAL INFORMATION

Flue Series(Std.): "S" Double Wall
 Flue Size: 8" Inner; 11" Outer
 Clearance to Flue: 2"
 Firestop Framing** : 14-1/2" x 14-1/2"
 Minimum Flue Height: 16'
 Maximum Flue Height: 86'
 Minimum Height with 2 Elbows: 16'
 Minimum Height with 4 Elbows: 21'
 Clearance to Fireplace: 3/4"
 Minimum Hearth Size (D x L): 20" x 66"
 OMNI Design Certified
 ** Clearance reduces to 1-3/4"

FIELD INSTALLED ACCESSORIES

Bi-fold Glass Doors: GD42PB (Polished Brass finish), GD42B (Black), GD42SS (Stainless)
 Fan Kit: FA2 for use with MLK36
 Outside Air Kit: AK4, FP4U, 403
 Terminations(Std.): "S" Series SC, SCL, CF8, SQ8, LFSQT, SPC
 Louver Kit: MLK36 (Can be field converted to a circulating (louvered) unit.)



Framing dimensions in illustrations accommodate 1/2" finishing material.



A Brand of Monessen Hearth Systems Co.
 149 Cleveland Drive, Paris, Kentucky 40361

www.monessenhearth.com

