



Vent-Free Gas Log Sets*

Models: UVLC18RN, UVLC24RN, UVLC30RN (Natural Gas)
UVLC18RP, UVLC24RP, UVLC30RP (Propane)

Installation and Operating Instructions



WARNING

If the information in this manual is not followed exactly, a fire or explosion may result, causing property damage, injury or loss of life.

—Do not store or use gasoline or other flammable vapors and liquids in the vicinity of this or any other appliance.

—WHAT TO DO IF YOU SMELL GAS

- Do not try to light any appliance.
- Do not touch any electrical switch; do not use any phone in your building.
- Immediately call your gas supplier from a neighbor's phone. Follow the gas supplier's instructions.
- If you cannot reach your gas supplier, call the fire department.

ATTENTION

Installation and service must be performed by a qualified agency, individual, firm, corporation, or company, experienced in the installation, repair, and servicing of this type of gas appliance. Do not modify, alter or tamper with any part of this heater, control, or logs.

This appliance may be installed in an aftermarket, permanently located, manufactured (mobile) home, where not prohibited by local codes.

This appliance is only for use with the type of gas indicated on the rating plate. This appliance is not convertible for use with other gases.

INSTALLER PLEASE NOTE:

DO NOT begin installation of this gas logset until all instructions have been read and understood.

WARNING

CARBON MONOXIDE POISONING MAY LEAD TO DEATH.

When used without fresh air, vent-free log sets may give off carbon monoxide, an odorless, poisonous gas.

Some people - pregnant women, people with heart or lung disease, anemia, or persons under the influence of alcohol, and persons at high altitudes are more affected by carbon monoxide than others.

Early signs of carbon monoxide poisoning resemble the flu - headache, dizziness, and/or nausea. If you have these signs, the heater may not be installed or working properly. **GET FRESH AIR AT ONCE!** Have the heater serviced before using it again.

*These logsets are not for exterior use.

Tested and listed to ANSI Z21.11.2b.2004, Unvented Heaters, and Z21.60b-2004; CSA 2.26b-2004 Decorative Gas Appliances for Installation in Solid-Fuel Burning Fireplaces.

INSTALLER: Leave this manual with the appliance.
CONSUMER: Retain this manual for future reference.

General Information

IN ORDER TO ASSURE A SAFE AND EFFECTIVE INSTALLATION, ONLY A QUALIFIED SERVICE PERSON WHO IS FAMILIAR WITH THE BUILDING CODES AND INSTALLATION TECHNIQUES APPROPRIATE TO YOUR AREA MAY INSTALL AND SERVICE THIS APPLIANCE.

The Logsets have been designed and tested to operate safely when installed according to the installation instructions contained in this manual. Read all instructions before starting the installation.

- The vent-free gas logset must be installed **only** in a fireplace constructed of noncombustible material.
- **These logsets are not for exterior use.**
- The logset should be inspected before use and at least annually thereafter. More frequent cleaning may be necessary because of excessive lint from carpeting or bedding material.
- **In the United States**, the installation and operation must conform to local codes or, in the absence of local codes, with the National Fuel Gas Code, ANSI Z223.1/NFPA 54, latest edition and with the National Electrical Code, ANSI/NFPA70 (latest edition). State or local codes may only allow operation of this appliance in a vented configuration. Check your state or local codes. **In Canada** check local province for proper use or CSA-B149. Refer to pages 7 and 8 for installation details.
- The gas logset and its individual shutoff valve must be disconnected from the gas supply piping system during any pressure testing of that system at test pressures in excess of 1/2 p.s.i.g. (3.5 kPa.) The gas logset must be isolated from the gas supply piping system by closing its individual manual shutoff valve during any pressure testing of the gas supply piping system at test pressures equal to or less than 1/2 p.s.i.g. (3.5 kPa.)
- Do not, under any circumstances, burn solid fuel (wood, paper, coal) in the masonry or UL127 factory built fireplace where you have installed your logset. Do not use it for cooking. Put nothing on top of the logs.
- The logset **must** be compatible with its fuel. Natural gas requires different hardware than propane. Never attempt to use natural gas with a propane logset or vice versa.
- For a propane burning logset, the supply tank must include a high to low gas pressure regulator. The tank **must** be outdoors. Do not, under any circumstances, locate supply tanks inside any structure.
- The fireplace **must** include a screen made of chain mesh or a similar material. You must keep the screen closed at all times during the operation of the logset; it will protect you in the event of an explosion.
- **WARNING:** If the fireplace contains glass doors, they **must** remain fully open at all times during the operation of the logset, allowing combustion air to circulate.

- In order to avoid any possible gas leaks, apply pipe joint compound to all non-flared, threaded connections involved in this installation. For propane, the joint compound must be resistant to the corrosive action of propane.
- To check for leaks, always use a soapy water solution or a sniffer. **Never** test by using an open flame.
- The area around the gas logset **must** be free of all combustible materials, especially gasoline or other highly flammable, vapor producing liquids.
- Due to high temperatures, locate this logset away from both high traffic areas and furniture and draperies.
- Children and adults alike should be aware of the high surface temperatures; to avoid the risk of burns or ignition of clothing they should stay away.
- Do not touch any part of the logset other than the controls while it is operating or immediately after you turn it off.
- Supervise young children and pets carefully when they are in the room where the logset is operating.
- Do not place clothing or other flammable material on or near the logset.
- Make sure that any safety screen or guard, removed during servicing, has been replaced before you use the logset.
- Do not, under any circumstances, install the logset in any bedroom, bathroom, other small, enclosed room, mobile home or recreational vehicle.
- Do not install the logset in a drafty area or use it with any after-market blower system that may cause drafting and consequently alter the flame pattern.
- It is imperative that you keep clear all burner areas, control compartments and passageways for circulating air.
- Do not move the logset in any way that might dislodge the logs from their fixed positions. If you bump the logset check to see if you have dislodged anything.
- Vent-free logsets require additional fresh air. You may supply additional fresh air with any combination of: opening windows or doors; or by operating a central furnace blower or exhaust fan.
- Provide adequate clearances around air openings into the combustion chamber and adequate accessibility clearance for servicing and proper operation. **NEVER** obstruct the front opening of the fireplace.
- Avoid propane tank dropping below 25% full. This will help prevent soot from occurring.

Proposition 65 Warning: Fuels used in gas, wood-burning or oil fired appliances, and the products of combustion of such fuels, contain chemicals known to the State of California to cause cancer, birth defects and other reproductive harm.
California Health & Safety Code Sec. 25249.6

Installation Requirements

The fireplace must meet the minimum dimensions listed below. (Fig. 1) Do not install the logset if the fireplace does not meet these minimums.

Logset	Gas	Min. Fireplace Dimensions				Inlet Supply Pressure (w.c.)		Manifold Pressure	Min. Input BTU/hr	Max. Input BTU/hr	Air Shutter Setting	
		A	B	C	D	Min.	Max.				Front	Rear
		Front Width	Rear Width	Overall Depth	Overall Height							
18" UVLC18RN	Natural	30"	17"	15"	18"	5.5"	14.0"	3.5"	22,000	30,000	3/8" Open	3/8" Open
24" UVLC24RN		33"	20"	15"	18"	5.5"	14.0"	3.5"	29,000	39,000	Full Open	3/8" Open
30" UVLC30RN		36"	25"	15"	18"	5.5"	14.0"	3.5"	29,000	39,000	Full Open	3/8" Open
18" UVLC18RP	Propane	30"	17"	15"	18"	11.0"	14.0"	11.0"	22,000	30,000	Full Open	Full Open
24" UVLC24RP		33"	20"	15"	18"	11.0"	14.0"	11.0"	29,500	39,000	3/8" Open	Full Open
30" UVLC30RP		36"	25"	15"	18"	11.0"	14.0"	11.0"	29,500	39,000	3/8" Open	Full Open

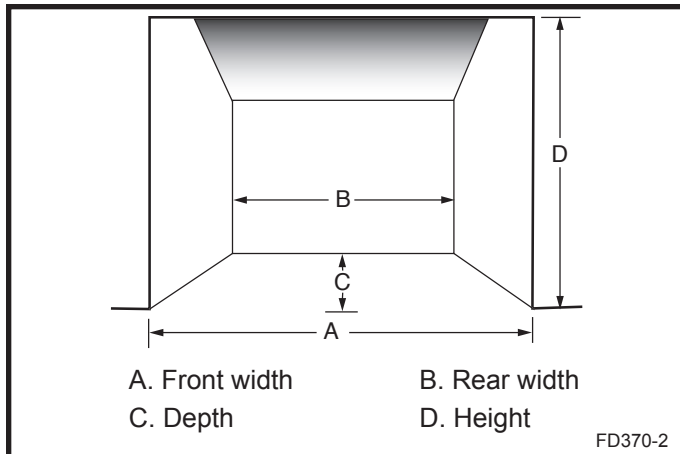


Fig. 1 Minimum fireplace dimensions.

High Elevations

Input ratings are shown in BTU per hour and are certified without deration from elevations up to 4,500 feet (1,370m) above sea level.

Nuisance outages may occur at altitudes above 4,500 feet (1,370m) if dirt, dust, lint and/or cobwebs are allowed to accumulate on burner and/or ODS pilot. Monthly inspection and cleaning is recommended for altitudes above 4,500 feet (1,370m)

For elevations above 4,500 feet (1,370m) in USA, installations must be in accordance with the current ANSI Z223.1/NFPA 54 and/or local codes having jurisdiction.

In Canada, please consult provincial and/or local authorities having jurisdiction for installations at elevations above 4,500 feet (1,370m)

Pressure Test Points

The gas control is equipped with a captured screw-type pressure test point, therefore it is not necessary to provide a 1/8" test point upstream of the control.

Odor During Operation

Neither natural gas nor propane gas give off an odor when burned. The nature of a vent free combustion system, however, is such that odors may occasionally be produced during heater operation when impurities exist in the immediate area. Cleaning solutions, paint, solvents, cigarette smoke, candles, adhesives, new carpet or textiles, etc., all can create fumes. These fumes may mix with combustion air and can create odor. Such odors will disappear over time, however, the condition can be alleviated by opening a window or otherwise providing additional ventilation to the area.

WARNING

This appliance is for installation in a solid-fuel burning masonry, fireplace with a working flue, a U.L.-127 listed manufactured solid-fuel burning fireplace, in any Majestic ventless firebox, or in any listed ventless firebox enclosure certified to I.A.S. U.S. Requirement 2-97 or ANSI Z21.91.

NOTICE

This is an unvented gas-fired heater. It uses air (oxygen) from the room in which it is installed. Provisions for adequate combustion and ventilation air must be provided. Refer to pages 5 and 6.

Planning

Planning the installation is an important first step. It will save time and money later in the actual installation. In planning the installation, consider:

- Where the heater will be located.
- All components needed to complete the installation.
- DO NOT use this heater in sleeping quarters, mobile homes, or in recreational vehicles.
- Installation and repair should be done by a qualified service person.
- DO NOT use this heater if any part has been under water. Immediately call a qualified technician to inspect the appliance and replace any part of the control system and any gas control which has been under water.
- When used as an unvented heater, always ensure that there is adequate ventilation from the room where the appliance is operating. This appliance is equipped with an ODS (oxygen depletion sensor) pilot light safety system designed to shut off the appliance if enough fresh air is not available.

THIS APPLIANCE MUST NOT BE USED WITH GLASS DOORS IN A CLOSED POSITION .

Keep the burner and control compartment clean. See installation and operating instructions supplied with the heater.

WARNING: During manufacturing, fabricating, and shipping, various components of this appliance are treated with certain oils, films, or bonding agents. These chemicals are not harmful, but may produce annoying smoke and smells as they are burned off during the initial operation of the appliance, possibly causing headaches or eye or lung irritation. This is a normal and temporary occurrence. The initial break-in operation should last 2-3 hours with the burner at its highest setting. Provide maximum ventilation by opening windows, doors, and the chimney flue to allow odors to dissipate. Any odors remaining after this initial break-in will be slight and will disappear with continued use.

This appliance operates as an unvented domestic room heater when fitted to a masonry or factory-built wood-burning fireplace with the flue damper closed, or as a decorative appliance when the flue damper is fully open. It must not be used for any other purpose and must be fitted in a masonry or factory-built fireplace or ventless firebox enclosure.

State, provincial or local codes may only allow operation of this appliance in a vented configuration. Check your state, provincial or local codes. If unvented room heaters are not permitted, the fireplace vent damper must be locked open at the minimum vent area required by local codes or by the National Fuel Gas Code (ANSI Z223.1/NFPA 54, latest edition) and CSA B149 Installation Codes for Gas Burning Appliances.

When installed as a Decorative Gas Appliance for installation in a solid-fuel burning fireplace, a minimum permanent free opening of 29 square inches must be maintained with a fixed damper stop provided with the appliance. Minimum flue size for this appliance is 29 square inches.

Installation Precautions

1. This vent-free gas appliance and its components have been tested and will operate safely when installed in accordance with this Installation Manual. Read all instructions **before** starting the installation, and follow these instructions carefully \ installation to maximize the appliance's benefit and safety. Failure to follow them will void your warranty and may present a fire hazard.

2. After opening the carton, refer to Parts Identification on Page 15 and 16, and remove the various parts.

Report to your dealer if any parts were damaged in shipment.

The CFM Corporation warranty will be voided by, and CFM Corporation disclaims any responsibility for, the following actions:

- Installation of any damaged appliance.
- Modification of the appliance.
- Installation other than as instructed by CFM Corporation.
- Improper positioning of the gas logs.
- Installation and/or use of any component part or accessory not manufactured or approved by CFM Corporation, notwithstanding any independent testing laboratory or other third-party approval of such component part or accessory.

Any such action may create a possible fire hazard.

Consult your local building codes.

This heater shall not be installed in a confined space unless provisions are provided for adequate combustion and ventilation air.

WARNING

Improper installation, adjustment, alteration, service, or maintenance can cause injury or property damage. Refer to this manual. For assistance or additional information, consult a qualified installer, service agency, or the gas supplier.

Installation Requirements

Fresh Air Requirements for Combustion and Ventilation

WARNING

This heater must have fresh air for proper operation. If it does not, poor fuel combustion could result. Read the following instructions to ensure proper fresh air supply for this and other fuel-burning appliances in your home.

Modern construction standards have resulted in homes that are highly energy-efficient and that allow little heat loss. Your home needs to breathe, however, and all fuel-burning appliances need fresh air to function properly and safely. Exhaust fans, clothes dryers, fireplaces, and other fuel burning appliances all use the air inside the building. If the available fresh air supply is insufficient to meet the demands of these appliances, problems can result.

The vent-free logs sets have specific fresh air requirements. You must determine that these requirements will be met within the space where the appliance will be installed. The following information will help you ensure that adequate fresh air is available for the heater to function properly.

Provide for Adequate Ventilation

Any space within a home can be classified in these categories:

- 1) Unusually tight construction
- 2) Confined space
- 3) Unconfined space.

First, determine which classification defines the intended installation space.

Unusually Tight Construction

You must provide additional fresh air if the space falls into this classification. Unusually Tight Construction is defined as construction wherein:

- a. Walls and ceilings exposed to the outside atmosphere have a continuous water vapor barrier with a rating of one perm or less, with openings gasketed or sealed, and
- b. weather stripping has been added on openable windows and doors and
- c. caulking or sealants are applied to areas such as joints around windows and door frames, between sole plates and floors, between wall and ceiling joints, between wall panels, at penetrations for plumbing, electrical, and gas lines, and at all other openings.

If your home meets all of the above criteria, you must provide additional fresh air for the appliance as detailed on Page 6.

If your home does not meet the above criteria, follow the procedure below.

Determine if You Have a Confined or Unconfined Space

Use the following formula to determine if you have a confined or unconfined space.

Space is defined as the room in which you will install the heater, plus any adjoining rooms with doorless passageways or ventilation grilles between the rooms.

The National Fuel Gas Code defines a confined space as a space whose volume is less than 50 cubic feet per 1,000 BTU per hour input rating (4.8m³ per Kw) of the aggregate (total) input rating of all appliances installed in that space and an unconfined space as a space whose volume is not less than 50 cubic feet per 1,000 BTU per hour (4.8m³ per Kw) of the aggregate input rating of all appliances installed in that space. Rooms communicating directly with the space in which the appliances are installed, through openings not furnished with doors, are considered a part of the unconfined space.

1. Determine the volume of space (length x width x height). Include adjoining rooms connected by doorless passageways or ventilating grilles.

Example: A room that is 18' x 12' x 8' has a volume of 1728 cubic feet. An adjoining open kitchen that is 10' x 12' x 8' has a volume of 960 cubic feet. An adjoining open dining room is 12' x 12' x 8' with a volume of 1152 cubic feet. The total volume is 3840 cubic feet.

2. Divide the volume of space by 50 cubic feet. The result is the maximum BTU/hour the space can support.

Example: 3840 cubic feet divided by 50 = 76.8 or 76,800 BTU/hour.

3. Add the BTU/hour ratings of all fuel-burning appliances installed in the same space, including the following:

Gas Water Heater	Gas Furnace
Gas Fireplace Logs	Vent-free Gas Heater
Vented Gas Heater*	Other Gas Appliances*

*** Do not include Direct-vent appliances as these use outdoor air for combustion and vent to the outdoors.**

Example:

Gas Range	55,000 BTU/hour
Vent-Free LogSet	+25,000 BTU/hour
Total	80,000 BTU/hour

4. Compare the maximum BTU/hour rating the space can support with the total BTU/hour used by the appliances.

Example: 76,800 BTU/hour the space can support
80,000 BTU/hour used by appliances

In this example, the maximum BTU/hour that the space can support is less than the total used by the appliances. The space is considered to be **Confined Space**. Additional air must be provided to meet the requirements on the vent-free gas log set.

The installation and the provisions for combustion and ventilation air must conform with the National Fuel Gas Code, ANSI Z223.1/NFPA 54, or the CSA-B149.1 Installation Code (Series).

A confined space may be ventilated in two ways:

A. Open up or provide at least two ventilating grilles to an adjoining unconfined space. (Fig. 2)

Each of the two grilles must provide an opening of at least 50 square inches, with all opening dimensions being at least 3". One grille must be within 12" of the ceiling; the other within 12" of the floor. (If the total exceeds 100,000 BTU/hour, additional grilles will be needed.)

B. Vent the room directly to the outdoors. (Provide one square inch of opening for each 4,000 BTU/hr.)

For further information on ventilation guidelines and sizing specifications, follow the National Fuel Gas Code/ NFPA 54/ANSI Z223.1/NFPA 54, Section 5.3.

If the total BTU/hour used by the appliances is less than the maximum BTU/hr the space can support, the room meets the **Unconfined Space** criteria and no further ventilation is needed.

WARNING

This heater shall not be installed in a confined space or unusually tight construction unless provisions are made for adequate combustion and ventilation air.

WARNING

If the area in which the heater may be operated is smaller than that defined as an unconfined space, or if the building is of unusually tight construction, provide adequate combustion and ventilation air by one of the methods described in the National Fuel Gas Code, ANSI Z223.1/ NFPA 54, 1992, Section 5.3, or applicable codes.

WARNING: Before installing the gas log set in a solid-fuel burning fireplace, the chimney flue and firebox must be cleaned of soot, creosote, and loose paint by a qualified chimney cleaner.

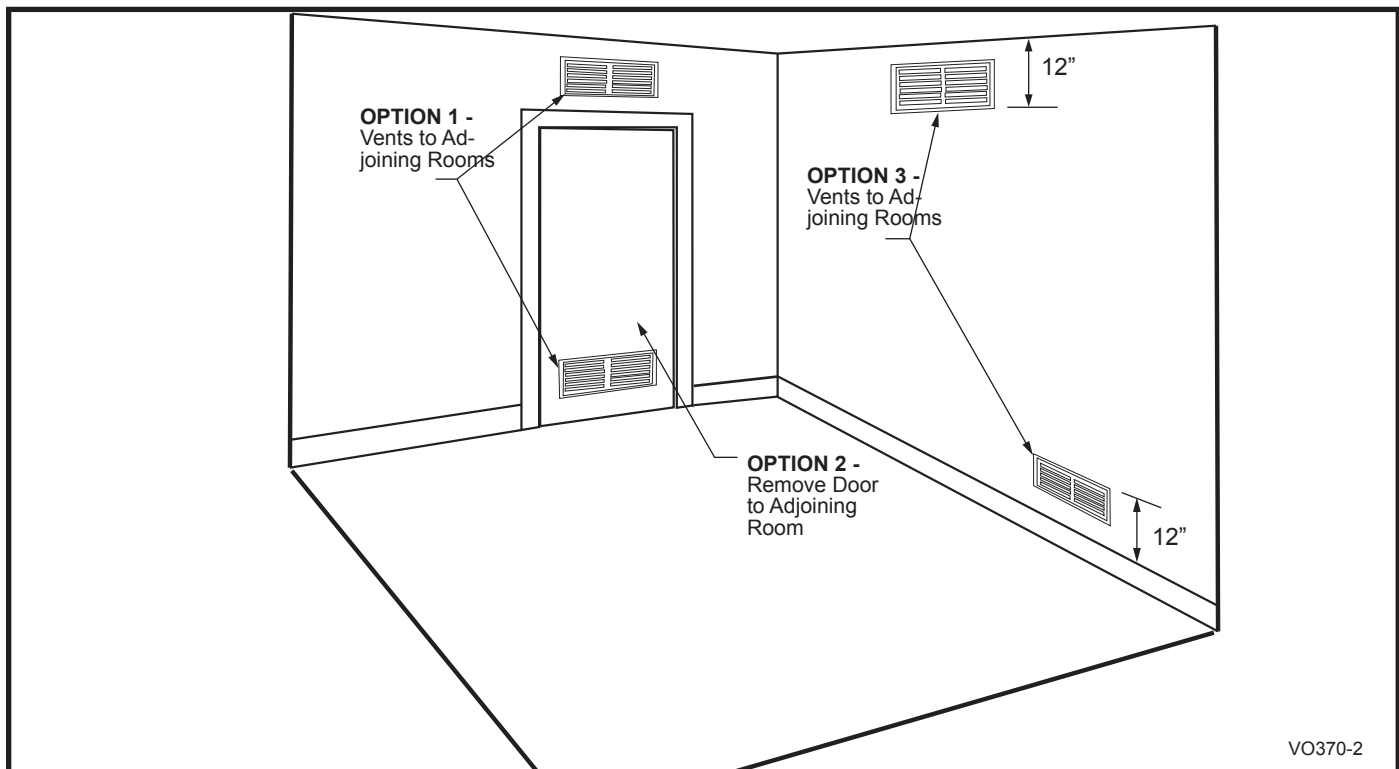


Fig. 2 Ventilation options for confined spaces.

Installation Instructions

WARNING:

Do not allow fans to blow directly into the fireplace. Avoid any drafts that alter burner flame patterns.

WARNING: Do not use a blower insert, heat exchanger insert, or other accessory not approved for use with this gas log set.

DO NOT burn solid fuels in a fireplace where an unvented gas room heater or log set is installed.

Any outside air ducts and/or ash dumps in the fireplace must be permanently closed at time of appliance installation.

Preparing the Fireplace

Gas Line Preparation

Before connecting the appliance, turn off all gas appliances. Close the main gas valve at the gas meter or appliances. Close the main gas valve at the gas meter or LP tank. Make certain there is good ventilation where the installation will be made. Installation should comply with all applicable building codes and ANSI Z223.1/ NFPA 54, latest edition or CSA B-149.1. Use LP gas-resistant pipe compound to seal threaded joints.

Installation to Existing Gas Line

There should be a manual ON/OFF valve within easy reach of the appliance. If not, before installation of the appliance, make certain a valve is installed. There may be a second valve on the line close to the point where the fireplace line branches off the main gas supply line. During installation, make certain this valve is OFF.

Manufactured Fireplace Preparation

Refer to the manufacturer's fireplace installation manual for the specific method of running the gas line into the fireplace. The following method is typical of most manufactured fireplaces.

Insert a 1/2" gas pipe through the gas line tube provided by the manufacturer, from outside the fireplace, as marked by the manufacturer. An ON/OFF valve should be placed within easy reach of the appliance. After the gas supply is installed, reinstall the insulation removed from the gas line tube, and pack it around the pipe, to prevent cold air entry and to protect the gas line. (Fig. 3)

NOTE: The gas pipe should not come into contact with any wood structure until it has reached a point at least one (1) inch away from the fireplace side. (Fig. 3)

Do not install this appliance in bedrooms or bathrooms.

WARNING: Any change to this heater or its controls can be dangerous.

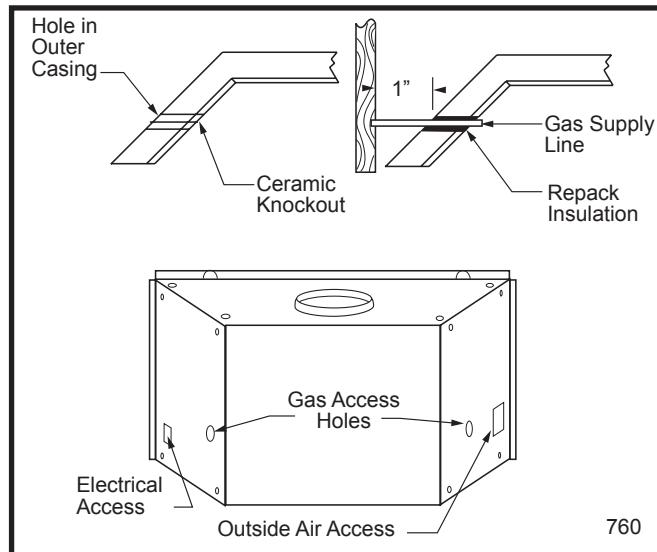


Fig. 3 Gas line installation - factory-built fireplaces.

Masonry Fireplace Installation Preparation

A 1/2 inch gas supply line must be supplied to the firebox. In most cases, this will require drilling a gas line access hole through the masonry wall. The gas supply line should then be sealed in the access hole with mortar. The gas supply line should also have a valve within easy reach of the appliance. Use only N.P.T. black iron gas line. (Do not use cast-iron pipe).

Clean the fireplace and chimney (if used) of any ashes, soot, creosote, or obstruction. This will minimize any smell from the fireplace. We recommend cleaning by a chimney sweep.

Flue Damper Preparation

The vented fireplace damper should be fully opened when operating the appliance as a vented log set. A damper stop clamp with set screw is provided as a means to prevent full closure of the fireplace damper blade. The clamp is designed to prevent accidental closure of the damper when in use. (Fig. 4) (If the damper stop cannot be installed, the installer should install a permanent damper stop that will keep the damper open minimum of 1 1/2").

Manufactured Fireplace Damper Stop Installation

Damper Stop #3030176 is designed for use with CFM Corporation BR, BC, SR, SC,TF and TL Series fireplaces.

1. Open the fireplace damper. The damper must be in the open position in order to attach the damper stop.
2. From inside the fireplace, locate the damper locking bracket on the left side of the combustion dome. (Fig. 5)
3. Align the two slots on either side of the cutout on the damper stop with the two small holes on the angled portion of the damper locking bracket. Attach the damper stop with the screws provided. (Fig. 6)

NOTE: Some of the early units may not have the holes in the end of the damper locking bracket. If this is the case, use the damper stop as a template to drill two 1/8" holes in the damper locking bracket to mount the damper stop.

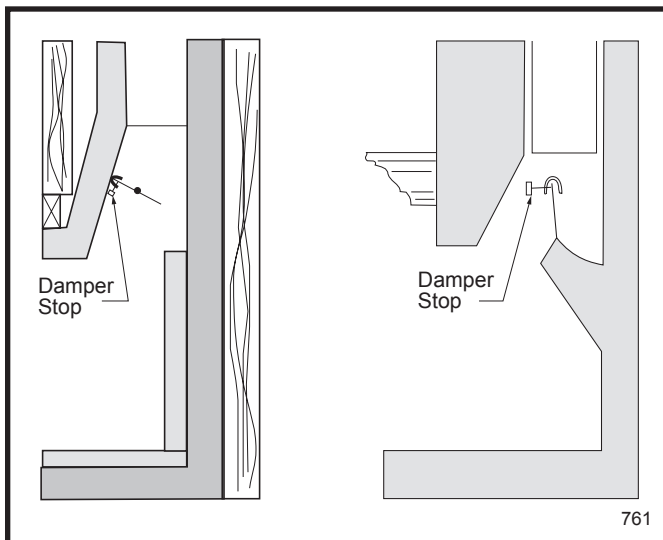


Fig. 4 Damper stop placement.

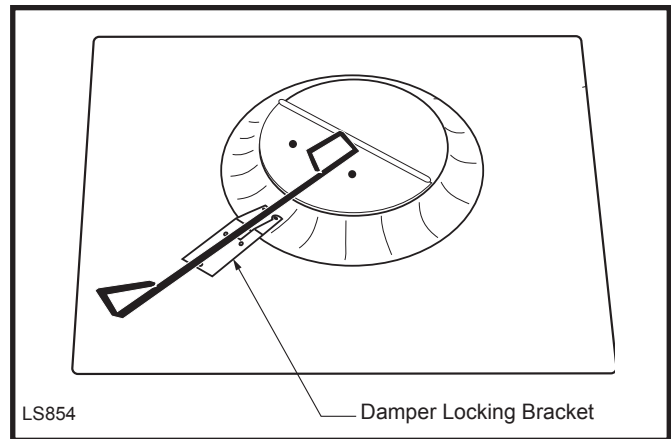


Fig. 5 Locate the damper locking bracket inside the fireplace dome.

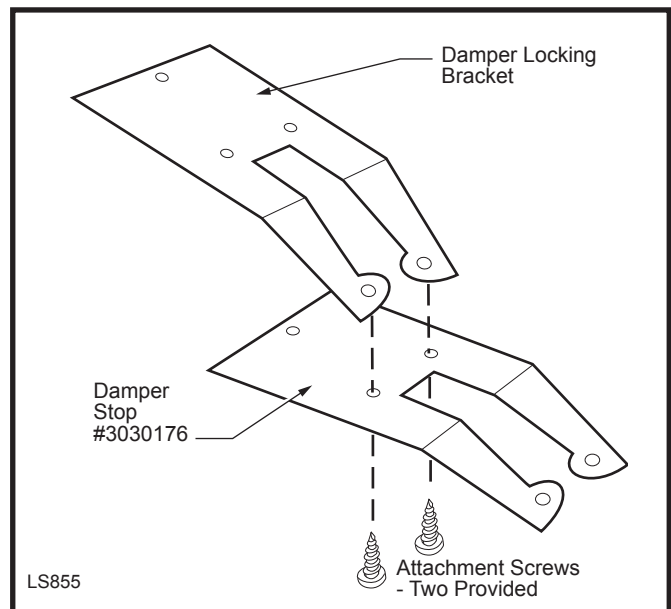


Fig. 6 Attach the damper stop.

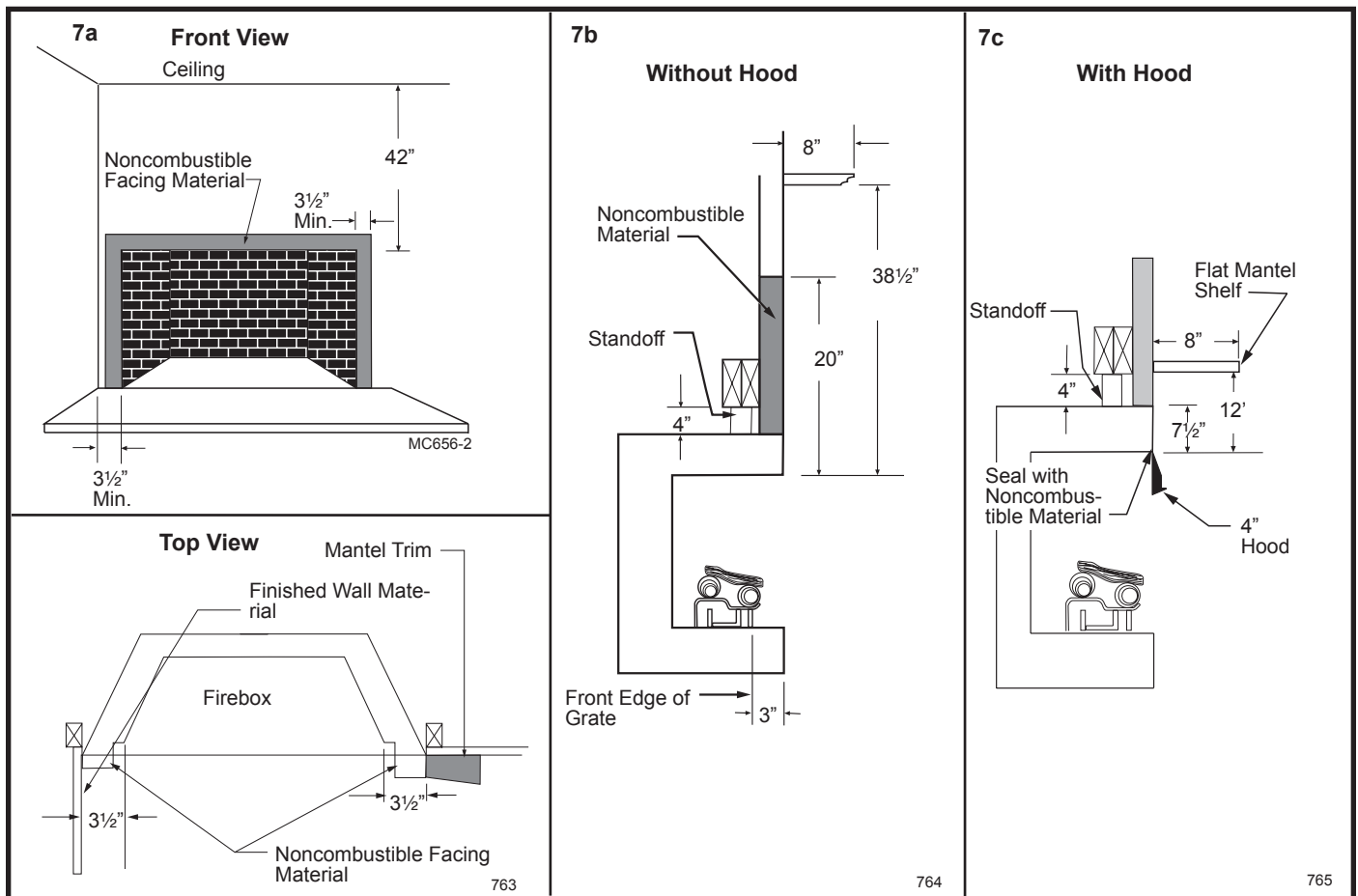


Fig. 7 Mantel Clearances.

Burner Assembly Location

Centrally locate the unit in the fireplace, far enough back into the firebox to accomplish adequate draft (if use as a vented appliance is planned). Ensure the front grate feet sit inside the front edge of the fireplace a minimum of 3". (Fig. 7b)

Clearances

To ensure the safe installation into a masonry or factory-built fireplace, carefully observe the following instructions:

- 1. Sidewall Clearances:** The clearance from the inside of the front opening of the fireplace to any combustible wall should not be less than 3½". (Fig. 7a)
- 2. Ceiling Clearances:** The ceiling height should not be less than 42" from the top of the fireplace opening. (Fig. 7A)

3. Mantel Clearances:

When installing an ANSI Z21.11.2 ventless appliance, the finishing material used for the mantel must be rated at 250°F or greater. Refer to the firebox instructions for any further information.

Without Hood: If no hood is installed, then there must be noncombustible material from the top front opening of the fireplace to a height of at least 20" and the full width of the fireplace. A combustible flat mantel shelf can be no closer than 38½" from the top of the fireplace opening. (Fig. 7b)

With Hood: If a hood is installed there must be noncombustible material from the top front opening of the fireplace to a height of 7½" and the full width of the fireplace. A combustible flat mantel shelf may be installed according to the detail in Fig. 7c.

3A. Mantel Depth: A combustible mantel can be no deeper than 8", at 12" above the hood. (Figs. 7b, 7c)

4. Grate Clearance: The minimum clearance between the front legs of the grate and the front edge of the fireplace is 3". (Fig. 7b)

Gas Line Connection

Check the gas type. Use only the gas type indicated on the appliance rating plate. If the gas listed on the plate is not the type of gas supplied, DO NOT INSTALL the log set. Contact your dealer for the proper model.

Always use an external regulator for all LP appliances, to reduce the supply tank pressure to a maximum of 14" w.c. This is in addition to the regulator fitted to the heater.

The normal gas connection is made at the left side (facing the unit). If a right-side connection is desired, the connecting pipe may be directed under or behind the rear of the appliance, to terminate at the left-hand side for connection to the inlet of the appliance.

Connect the appliance to the gas line using fittings and aluminum tubing provided.

Close the valve knob on the appliance, turn the main gas supply valve 'ON' and carefully check all gas connections for leaks, with a soapy water solution or a sniffer. DO NOT TEST FOR LEAKS WITH AN OPEN FLAME.

Upon completing your gas line connection, a small amount of air will be in the gas lines. When first lighting the pilot, it will take a few minutes for the lines to purge themselves of air. Once the purging is complete, the pilot and burner will light and operate as indicated in this manual. Subsequent lightings of the appliance will not require purging.

Check the inlet pressure to the appliance, to ensure that it is as shown in the table on page 2. The minimum is for the purpose of input adjustment.

The pressure is controlled by the regulator and should be checked at the pressure test point located in the control valve body.

The pressure should be checked with the appliance burning and the control set on 'HIGH'.

The pressure regulator is preset and locked to avoid tampering. If the pressure is not as specified, replace the regulator.

After measuring the pressure, replace the test point plug. Ensure there are no leaks, then place the logs in their specified positions.

WARNING

Connection directly to an unregulated LP tank can cause an explosion.

During the initial purging and subsequent lightings, never allow the gas valve control knob to remain depressed in the 'Pilot' position without lighting the pilot with a match or piezo ignitor.

There is a possibility of odor fade in LP. Never install an LP appliance or service line below grade without a gas detector.

Positioning the Logs

The logs must be positioned on the grate and locating pins as shown in Figure 8.

Gas logs must be properly positioned or the appliance will not function properly, and may result in soot accumulation on the inside of the firebox and/or on the gas logs. Make sure there is no flame impingement on the logs which could result in excessive carbon monoxide emissions.

Make sure each bottom log engages the locator pins on the grate, and top logs are properly positioned in notches on the tops of the lower logs.

The contents of the small bags of volcanic rock may only be placed as shown in Figure 8. Apply loose material per instructions manual. Do not apply extra material or material not supplied with the heater. Replace only with Part No. 57897.

WARNING

Failure to position the parts in accordance with these diagrams or failure to use only parts specifically approved for use with this appliance may result in property damage or personal injury.

This appliance is equipped for (natural or propane) gas. Field conversion is not permitted.

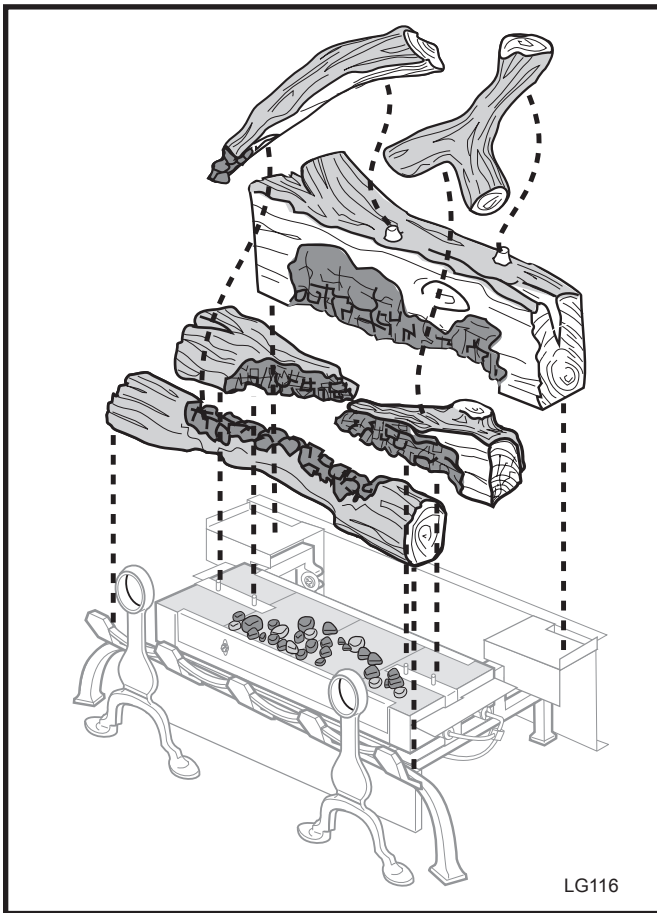


Fig. 8 Placing the logs on the grate assembly.

Fireplace Screen

The fireplace screen must be in place when the appliance is operating, and unless other provisions for combustion air are made, the screen must have openings for the introduction of combustion air.

Remote Wall Switch

(Optional Model GWSK)

1. Thread wire through the electrical knockout located on either side of the fireplace. Do not cut the wire or insulation on metal edges. Ensure that the wire is protected. Run the other end to a conveniently located wall receptacle box.
2. Attach the wire to the switch and install the switch into the receptacle box. Attach the cover plate to the switch.
3. Connect the remaining ends of the optional switch to the valve at Terminal 3 and the tab connector on Terminal 1. (Fig. 9)

NOTE: If any of the original wire as supplied with the appliance must be replaced, it must be replaced with a wire of at least a 60°C temperature rating.

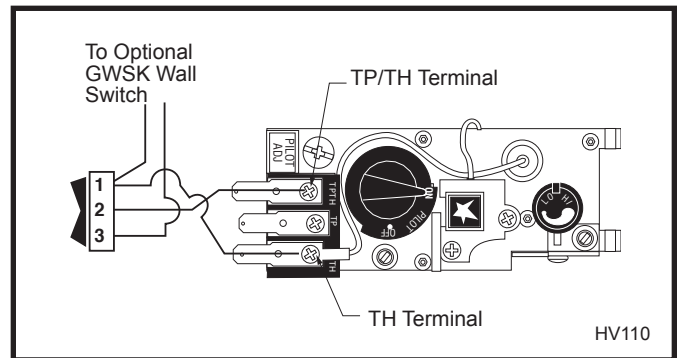


Fig. 9 Connecting a wall switch to the valve terminals.

Operating Instructions

The First Firing

On completing the gas line connection, a small amount of air will be trapped in the gas line. When you first light the unit with the pilot light, it will take a few minutes to purge the trapped air. Once you have purged the gas line, the pilot and burner will light and operate normally. Subsequent lightings of the appliance will not require purging the gas line.

When lit for the first time, the appliance will emit a slight odor for an hour or two. This is due to paint and lubricants used in the manufacturing process curing under heat. This is normal. You may wish to have the windows open to dissipate any odors during the curing process.

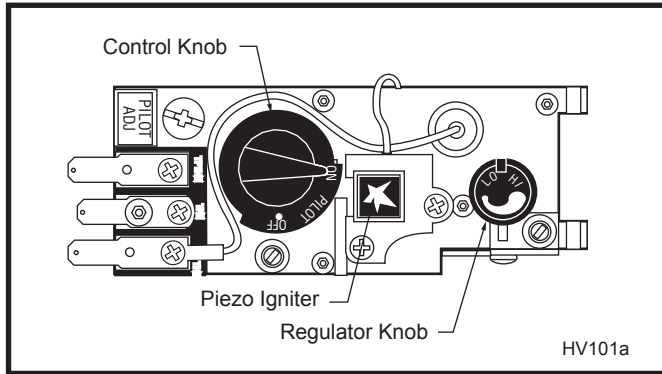


Fig. 10 Honeywell Valve.

Flame Appearance

To obtain proper operation, it is imperative that the pilot and main burner flame characteristics are steady, not lifting or floating. Refer to Figure 11 for proper burner flame appearance and Figure 12 for proper pilot flame appearance.

Typically, the top 1/8" of the thermopile should be engulfed in the pilot flame. (Fig. 12)

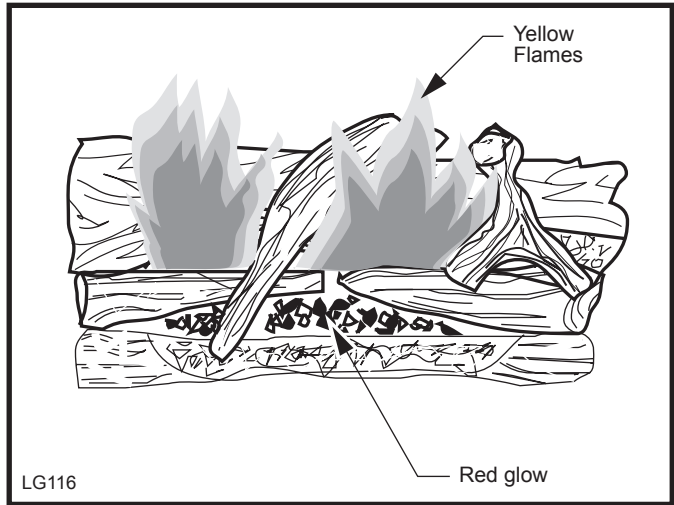


Fig. 12 Proper burner flame appearance.

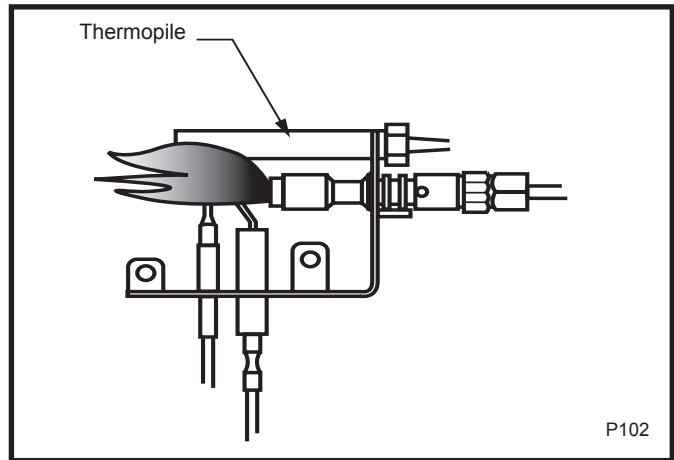


Fig. 12 Proper pilot flame appearance.

Lighting And Operating Instructions

FOR YOUR SAFETY READ BEFORE LIGHTING

WARNING: If you do not follow these instructions exactly, a fire or explosion may result causing property damage, personal injury or loss of life.

- A. This heater has a pilot which must be lit manually. When lighting the pilot follow these instructions exactly.
- B. BEFORE LIGHTING smell all around the heater area for gas. Be sure to smell next to the floor because some gas is heavier than air and will settle on the floor.


WHAT TO DO IF YOU SMELL GAS

- Do not try to light any fireplace
- Do not touch any electric switch
- Do not use any phone in your building
- Immediately call your gas supplier from a neighbor's phone. Follow the gas supplier's

instructions.

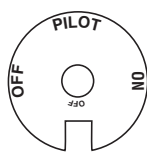
- If you cannot reach your gas supplier, call the Fire Department
- C. Use only your hand to push in or turn the gas control knob. Never use tools. If the knob will not push in or turn by hand, do not try to repair it, call a qualified service technician. Applying force or any attempted repair may result in a fire or explosion.
 - D. Do not use this fireplace if any part has been under water. Immediately call a qualified service technician to inspect the heater and to replace any part of the control system and any gas control which has been under water.

Lighting Instructions

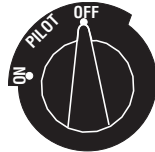
1. **STOP!** Read the safety information above.
2. Turn off all electrical power to the fireplace.
3. For MN/MP/TN/TP appliances ONLY, go on to Step 4. For RN/RP appliances turn the On/Off switch to "OFF" position or set thermostat to lowest level.
4. Open control access panel.
5. Push in gas control knob slightly and turn clockwise  to "OFF".




Euro SIT



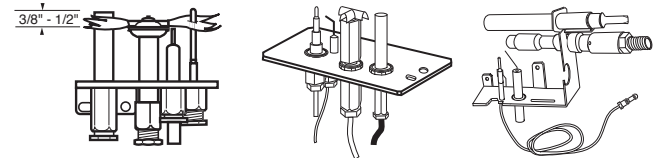
SIT NOVA



Honeywell

6. Wait five (5) minutes to clear out any gas. Then smell for gas, including near the floor. If you smell gas, STOP! Follow "B" in the safety information above. If you do not smell gas, go to the next step.
7. Remove glass door before lighting pilot. (See Glass Frame Removal section).
8. Visibly locate pilot by the main burner.
9. Turn knob on gas control counterclockwise  to "PILOT".

10. Push the control knob all the way in and hold. Immediately light the pilot by repeatedly depressing the piezo spark ignitor until a flame appears. Continue to hold the control knob in for about one (1) minute after the pilot is lit. Release knob and it will pop back up. Pilot should remain lit. If it goes out, repeat steps 5 through 8.



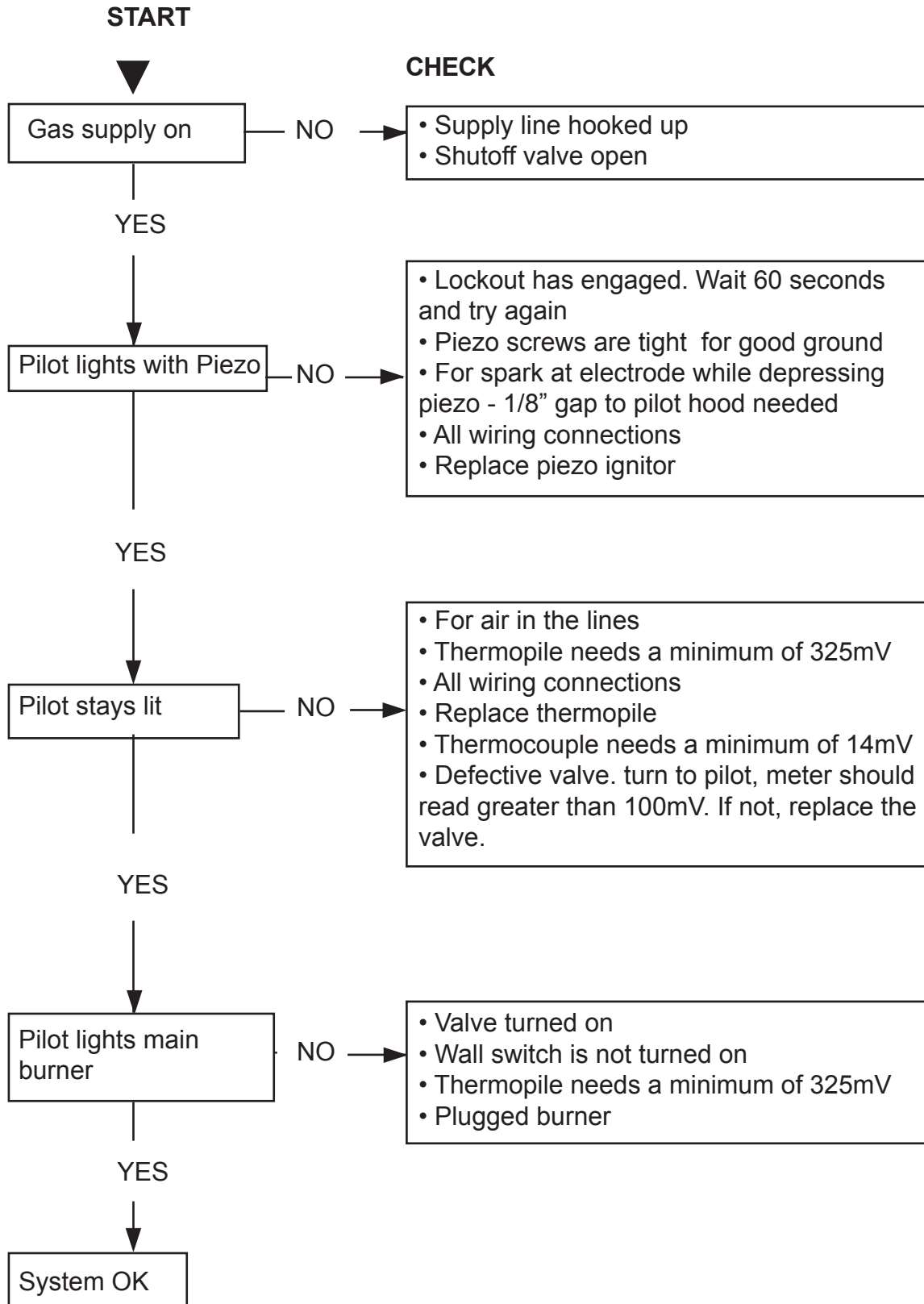
- If knob does not pop up when released, stop and immediately call your service technician or gas supplier.
 - If after several tries, the pilot will not stay lit, turn the gas control knob to "OFF" and call your service technician or gas supplier.
11. Replace glass door.
 12. Turn gas control knob to "ON" position.
 13. For RN/RP appliances turn the On/Off switch to "ON" position or set thermostat to desired setting.
 14. Turn on all electrical power to the fireplace.

To Turn Off Gas To Heater

1. Turn the On/Off switch to Off position or set the thermostat to lowest setting.
2. Turn off all electric power to the fireplace if service is to be performed.
3. Open control access panel.
4. Push in gas control knob slightly and turn clockwise  to "OFF". Do not force.
5. Close control access panel.

Troubleshooting

Honeywell Valve



Maintenance and Safeguards

Keep the control compartment, logs and burner area around the logs clean by vacuuming or brushing at least twice a year.

THE LOGS CAN GET VERY HOT. HANDLE THEM ONLY WHEN THEY ARE COOL.

Always turn off gas to the pilot before cleaning. For relighting, refer to the lighting instructions.

The appliance and venting system (if used) should be inspected before initial use, and at least annually by a qualified field service person.

Always keep the appliance area clear and free from combustible materials, gasoline, and other flammable vapors and liquids.

Never obstruct the flow of combustion and ventilation air. Keep the front of the appliance clear of all obstacles and materials.

Leave clearance of at least 36" from the front of the fireplace.

Although your gas logs are very realistic in appearance, the fireplace must not be used for burning any solid fuels.

To avoid irreparable damage to the appliance or personal injury, matches, paper, garbage, or any other material must not be placed or thrown on top of the logs or into the flames.

To avoid personal injury, do not touch hot surfaces when the appliance is operating. Touch only the valve control knob. Avoid contact with the grate feet or prongs, or any other part which may be very hot.

Always ensure that the fireplace screen is closed when the appliance is operating.

Any safety screen or guard removed for servicing the appliances must be replaced before operating the appliance.

Close supervision is necessary when the appliances is being operated near children.

The appliance is intended for use as a gas heater mounted in a vented or unvented fireplace as described in the installation section of these instructions. It should not be used for any other purpose.

Inspecting the Venting System

A vented fireplace venting system is designed and constructed to develop a positive flow adequate to remove flue gasses to the outside atmosphere. See vented fireplace installation instructions.

Any foreign objects in the venting system, except those designed specifically for the venting system, may cause spillage of the flue gases into the room. In extreme situations, carbon monoxide poisoning or suffocation may occur.

Periodic examination and cleaning of the venting system of the solid-fuel burning fireplace must be done frequently by the home owner or a qualified agency.

UVLC System Maintenance

The UVLC burner and control system consists of:

- Chassis
- Gas Orifice
- Grate assembly
- Six (6) decorative logs (UVLC18, UVLC24)
Seven (7) decorative logs (UVLC30)
- Gas valve assembly

The logs can get very hot. Handle them only when they are cool.

Most of these components require only occasional check-up and cleaning. Some may require adjustment. If repair is needed, it should be performed by a qualified technician.

In order to properly clean the burner and pilot assembly, turn off the gas to the unit and remove the logs, exposing the burner and pilot assembly. Clean all foreign materials from the top of the burner. Check to make sure that all burner parts are clean. Visually inspect the pilot. Brush or blow away any dust or lint accumulations.

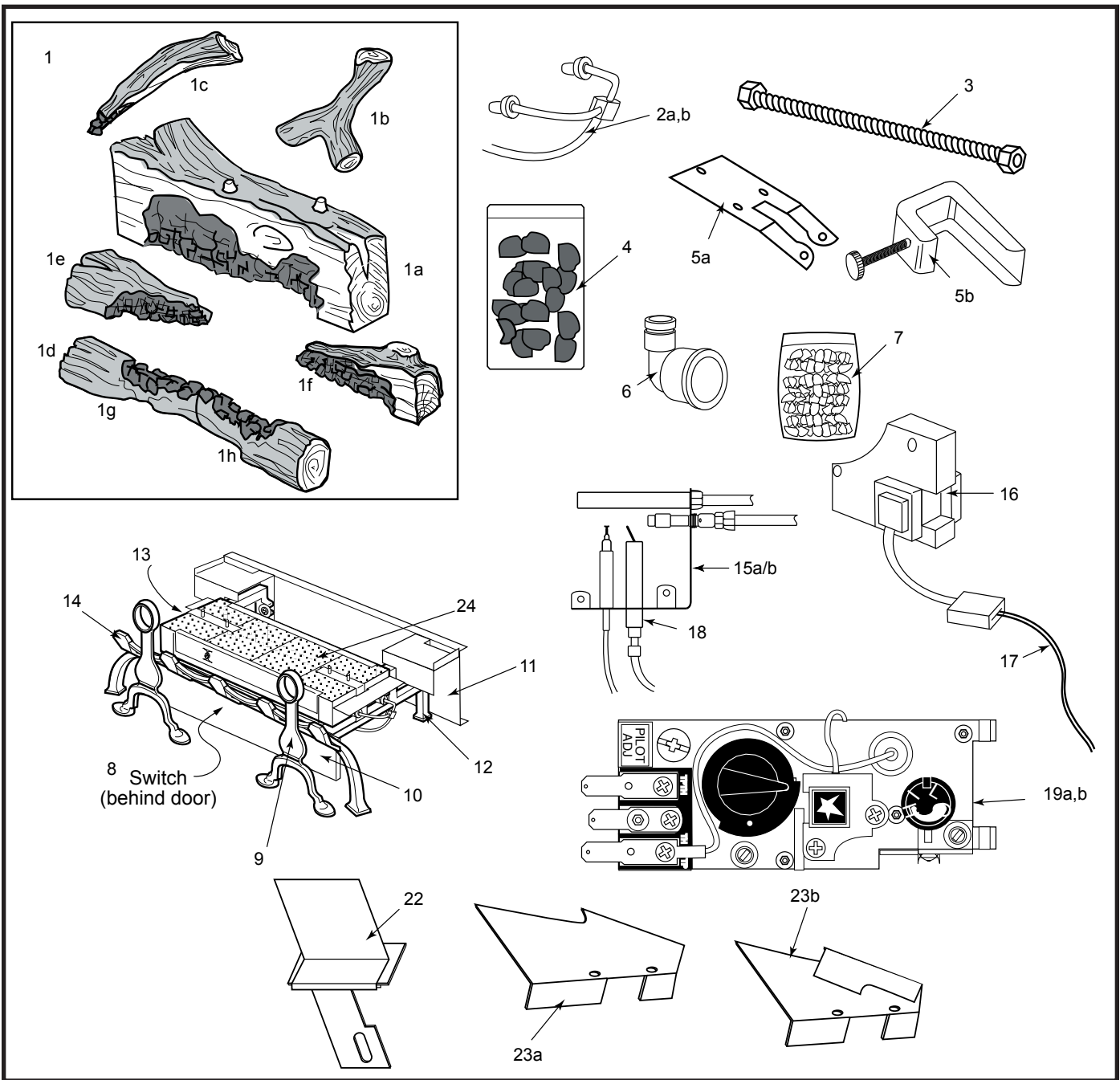
WARNING: Failure to keep the primary air openings of the burner clean may result in sooting and property damage.

NOTE: The burner and pilot assembly should be checked for any dust or lint at least every six months.

Replacement Parts

Contact the factory for questions about prices and policies covering replacement parts. Parts will be shipped at prevailing prices. Normally, all parts can be ordered through your Majestic distributor or dealer.

Refer to the parts illustration and listing on pages 16 and 17.



CFM Corporation reserves the right to make changes in design, materials, specifications, prices and discontinue colors and products at any time, without notice.

UVLC Supreme Vent Free Gas Logs

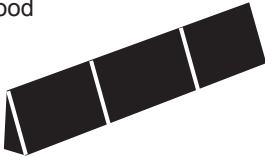
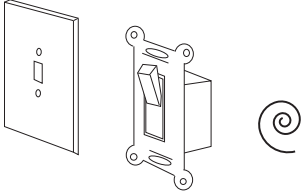
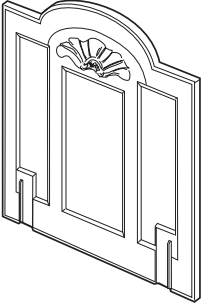
Ref.	Description	UVLC18	UVLC24	UVLC30
1.	Complete Log Set	20003423	20000327	20003428
1a.	Back Log	20003425	7583198	20003430
1b.	Log #V20 Cross Right	7583202	7583202	7583202
1c.	Log #V19 Cross Left	7583199	7583199	7583199
1d.	Front Log	20003424	7583197	n/a
1e.	Left Middle Log	20003426	7583200	20003431
1f.	Right Middle Log	20003427	7583201	20003432

UVLC Supreme Vent Free Gas Logs (continued)

Ref.	Description	UVLC18	UVLC24	UVLC30
1g.	Log #V43 Front Left	n/a	n/a	20004893
1h.	Log #V44 Front Right	n/a	n/a	20004894
2a.	Burner Supply w/Orifices - Natural	20003050	20000329	20000329
2b.	Burner Supply w/Orifices - LP	20003687	20000318	20000318
3.	3/8" Flex Tubing	3304176	3304176	3304176
4.	Volcanic Rock	20000198	20000198	20000198
5a.	Damper Stop	3030176	3030176	3030176
5b.	Damper Stop	4304045	4304045	4304045
6.	Elbow Fitting 1/2" NPT (F) x 3/8" Flare	7523184	7523184	7523184
7.	Lava Rock (Burner)	57897	57897	57897
8.	Switch	1601597	1601597	1601597
9.	Andiron Assembly	20005295	20005295	20005295
10.	Swivel Door - Painted	20005340	20005345	20005345
11.	Back Plate	20003023	20000321	20000321
12.	Right Side Grate - Painted	20005338	20005338	20005338
13.	Left Side Grate - Painted	20005339	20005339	20005339
14.	Fettle - Painted	20005344	20005343	20005343
15a.	Pilot Assembly - LP	55465	55465	55465
15b.	Pilot Assembly - Natural	55464	55464	55464
16.	Piezo Ignitor	20000062	20000062	20000062
17.	Piezo Ignitor Cable	20000101	20000101	20000101
18.	Ignitor Electrode	Order Pilot	Order Pilot	Order Pilot
19a.	Valve - LP	10000242	10000242	10000242
19b.	Valve - Natural	10000235	10000235	10000235
20.	ON/OFF Extension (Not shown)	20000007	20000007	20000007
21.	HI/LO Extension (Not shown)	20000006	20000006	20000006
22.	Pilot Bracket Assembly	20003530	20003530	20003530
23a.	Pilot Shield	20003499	--	--
23b.	Pilot Shield	--	20003500	20003500
24.	Burner Housing Assembly	20003028	20000277	20000277

Accessories

The following accessories are available from your Majestic Fireplaces Dealer. If you need additional information beyond what your dealer can supply, contact CFM Corporation, 2695 Meadowvale Blvd., Mississauga, Ontario, Canada L5N 8A3 Attention: Director of Technical Service.

Accessory	Description	Model Number
Hood 	Required to protect wall above fireplace and/or mantel in certain applications.	AH3244BK (BLACK) AH3244PB (POLISHED BRASS)
Remote Control	ON/OFF w/Batteries ON/OFF Thermostat w/ Batteries LCD ON/OFF Thermostat, Timer w/ Batteries	MRC1 MRC2 MRC3
Remote Wall Switch 	Designed to provide remote on and off control of burner flame	GWSK
Fireback 	Cast Iron Construction. Designed to enhance flame effect with porcelain enamel in 'Midnight Black'.	CFB24M

Contact CFM Corporation with questions concerning prices and policies covering replacement parts. Parts may be ordered through your Majestic Fireplaces distributor or dealer.

You will need the following information when ordering replacement parts:

- The appliance model number.
- The serial number.
- A description of the part.

Should you need additional information beyond what your dealer can furnish, contact:

CFM Corporation
 2695 Meadowvale Boulevard
 Mississauga, Ontario
 Canada L5N 8A3

NOTE: If any of the original wire as supplied with the appliance must be replaced, it must be replaced with a wire of at least a 105°(C) temperature rating.

Model and serial numbers are listed on the metal rating plate attached to the burner assembly.

Record your model and serial numbers here to ease future reference:

Model # _____

Serial # _____

LIMITED WARRANTY & EXTENDED LIFETIME PROTECTION

For Majestic Fireplaces Gas Fireplace Products

BASIC WARRANTY:

CFM Corporation (hereinafter referred to collectively as the "Company") warrants that your new Majestic Fireplaces Gas Appliance is free from manufacturing and material defects for a period of one year from date of installation, subject to the following conditions and limitations.

EXTENDED LIFE TIME WARRANTY:

The heat exchanger, combustion chamber and ceramic burner parts of every *CFM Corporation products are warranted for life to the original owner, subject to proof of purchase and the following conditions and limitations:

1. This new **Majestic Fireplaces** product must be installed by a competent, authorized service contractor. It must be installed and operated at all times in accordance with the Installation and Operating instructions furnished with the product. Any alteration, willful abuse, accident, or misuse of the product shall nullify this warranty.
2. This warranty is non-transferrable, and is made to the original owner, provided that the purchase was made through an authorized supplier of the Company.
3. This warranty is limited to the repair or replacement of part(s) found to be defective in material or workmanship, provided that such part(s) have been subjected to normal conditions of use and service, after said defect is confirmed by the Company's inspection.
4. The Company may, at its discretion, fully discharge all obligations with respect to this warranty by refunding the wholesale price of the defective part(s).
5. Any installation, labour, construction, transportation, or other related costs/ expenses arising from defective part(s), repair, replacement, or otherwise of same, will not be covered by this warranty, nor shall the Company assume responsibility for same. Further, the Company will not be responsible for any incidental, indirect, or consequential damages, except as provided by law.
6. All other warranties - expressed or implied - with respect to the product, its components and accessories, or any obligations/liabilities on the part of the Company are hereby expressly excluded.
7. The Company neither assumes, nor authorizes any third party to assume, on its behalf, any other liabilities with respect to the sale of this **Majestic Fireplaces** product.
8. The warranties as outlined within this document do not apply to chimney components or other non **Majestic Fireplaces** accessories used in conjunction with the installation of this product.
9. **The Company will not be responsible for . . .**
 - a) Down drafts or spillage caused by environmental conditions such as near-by trees, buildings, roof tops, hills, or mountains.
 - b) Inadequate ventilation or negative air pressure caused by mechanical systems such as furnaces, fans, clothes dryers, etc.
10. **This warranty is void if:**
 - a) The fireplace has been operated in atmospheres contaminated by chlorine, fluorine or other damaging chemicals.
 - b) The fireplace is subjected to prolonged periods of dampness or condensation.
 - c) Any damage to the fireplace, combustion chamber, heat exchanger or other components due to water, or weather damage which is the result of, but not limited to, improper chimney/venting installation.
 - d) Any alteration, willful abuse, accident, or misuse of the product.

GLASS DOORS & BRASS PLATED PARTS

Glass doors are not warranted for breakage due to misuse or accident. Brass parts should be cleaned with lemon oil **only**. Brass cleaners **cannot** be used. Mortar mix and masonry cleaners may corrode the brass finish. The Company will not be responsible for, nor will it warrant any brass parts which are damaged by external chemicals or down draft conditions.

IF WARRANTY SERVICE IS NEEDED . . .

- 1) Contact your supplier. Make sure you have your warranty, your sales receipt, **and the model/serial number of your Majestic Fireplaces product.**
- 2) **DO NOT ATTEMPT TO DO ANY SERVICE WORK YOURSELF.**

*CFM Corporation products bearing this special Warranty Seal of Approval carry a comprehensive Limited Lifetime Warranty. This includes the **Insta-Flame** Ceramic Burners, Heat Exchange System and Combustion Chamber. All other parts are covered for one year.



2695 Meadowvale Blvd.
Mississauga, ON L5N 8A3

GARANTIE DE BASE:

CFM Corporation (aux présentes nommée la "Société") garantit votre nouveau foyer au gaz **Majestic Fireplaces** contre tous défauts de fabrication et de matières premières pour une période d'un an à compter de la date d'installation, sujet aux conditions et limitations suivantes.

GARANTIE A VIE PROLONGEE:

Les pièces de l'échangeur de chaleur, de la chambre à combustion et du brûleur en céramique de tout produit *CFM Corporation sont garanties pour la vie de l'acheteur d'origine, le tout sujet à une preuve d'achat et aux conditions et limitations suivantes:

1. Ce nouveau produit **Majestic Fireplaces** doit être installé par un entrepreneur de service autorisé et compétent. Il doit être installé et utilisé en tout temps selon les instructions d'installation et de fonctionnement fournies avec le produit. Toute altération, abus volontaire, accident ou mauvais usage du produit annulera cette garantie.
2. Cette garantie n'est pas transférable et est offerte à l'acheteur au détail d'origine, à condition que l'achat soit effectué par l'entremise d'un détaillant autorisé de la Société.
3. Cette garantie est limitée à la réparation ou au remplacement de(des) pièce(s) trouvée(s) défectueuse(s) en matières premières ou main-d'oeuvre, à condition que lesdites pièces aient été sujettes aux conditions normales d'usage et de service, après que ledit défaut a été confirmé par une inspection par la Société.
4. La Société peut, à sa discrétion, se décharger entièrement de toutes obligations se rapportant à cette garantie en remboursant le prix de gros de la(des) pièce(s) défectueuse(s).
5. Tous les frais/dépenses d'installation, de main-d'oeuvre, de construction, de transport ou autres causés par une (des) pièce(s) défectueuse(s), une réparation, un remplacement ou autre, ne seront pas couverts sous cette garantie, et la Société n'assume aucune responsabilité pour ceux-ci. De plus, la Société ne pourra être tenue responsable pour tous dommages fortuits ou indirects sauf la ou prévu par la loi.
6. Toutes autres garanties, exprimées ou sous-entendues, en ce qui a trait au produit, ses composants et accessoires, ou toutes obligations/responsabilités de la part de la Société sont aux présentes expressément exclues.
7. La Société n'assume et n'autorise personne à assumer, en son nom, toutes responsabilités en ce qui a trait à la vente de ce produit **Majestic Fireplaces**.
8. Les garanties, telles que décrites dans ce document, ne s'appliquent pas aux composants de cheminée ou aux autres accessoires non **Majestic Fireplaces** utilisés conjointement pour l'installation de ce produit.
9. **La Société n'encourra aucune responsabilité pour . . .**
 - a) Les refoulements de cheminées ou débordements causés par les conditions environnementales comme par les arbres, les édifices, les toits, les côtes ou les montagnes adjacentes.
 - b) Une ventilation inadéquate ou une pression d'air négative causée par des systèmes mécaniques comme les fournaies, les ventilateurs, les sècheuses, etc.
10. **Cette garantie est nulle si:**
 - a) Le foyer a été utilisé dans une atmosphère contaminée par du chlore, du fluor ou tous autres produits chimiques.
 - b) Le foyer est assujéti à de longues périodes d'humidité ou de condensation.
 - c) Des dommages sont causés au foyer, à la chambre de combustion, à l'échangeur de chaleur ou aux autres composants par de l'eau ou par la température qui est le résultat mais sans y être limité, d'une mauvaise installation de cheminée/ventilation.
 - d) Toute altération, abus volontaire, accident ou mauvais usage du produit annulera cette garantie.

PORTES EN VERRE & PIÈCES PLAQUÉES LAITON

Les portes en verre ne sont pas garanties contre le bris causé par un mauvais usage ou un accident.

Les pièces en laiton devraient être nettoyées qu'avec de l'essence de citron. Les nettoyeurs de laiton ne peuvent pas être utilisés. La Société ne sera pas responsable pour, et ne garantit pas les pièces en laiton qui sont endommagées par des conditions chimiques externes ou de refoulement.

SI UN SERVICE SOUS GARANTIE EST REQUIS . . .

1. Communiquez avec votre détaillant. Assurez-vous que vous avez votre garantie, votre reçu de caisse ainsi que le numéro de modèle/série de votre produit **Majestic Fireplaces**.
2. **NE TENTEZ PAS D'EFFECTUER DES REPARATIONS VOUS-MEME.**

*Les foyers à gaz CFM Corporation portant ce sceau d'approbation de la garantie spéciale sont couverts par une garantie limitée à vie. Celle-ci inclut les brûleurs en céramique Insta-Flame, l'échangeur de chaleur et la chambre à combustion. Toutes les autres pièces sont couvertes pour un an.



CFM Corporation

2695 Meadowvale Blvd. • Mississauga, Ontario, Canada L5N 8A3
800-668-5323 • www.cfmcorp.com