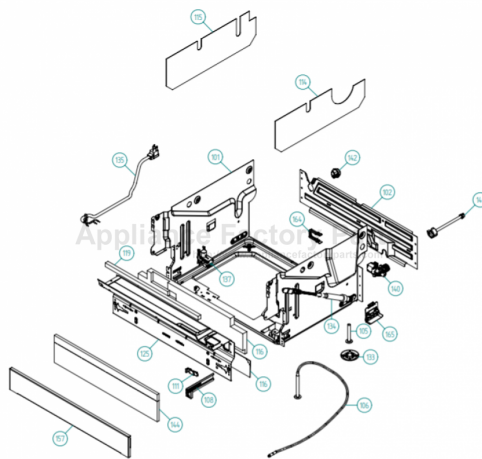


This Owner's Manual is provided and hosted by [Appliance Factory Parts](#).



# ASKO D5233XXLFI Owner's Manual

[Shop genuine replacement parts for ASKO D5233XXLFI](#)



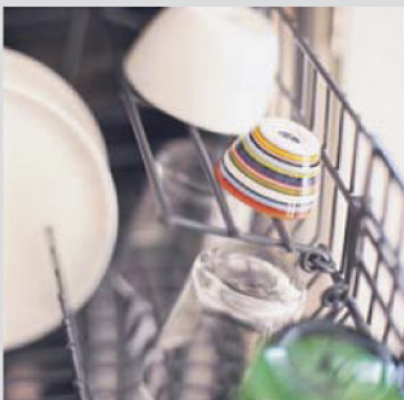
[Find Your ASKO Dishwasher Parts - Select From 210 Models](#)

----- Manual continues below part list -----

## Available Replacement Parts for ASKO D5233XXLFI

[428814](#)

SPACERS



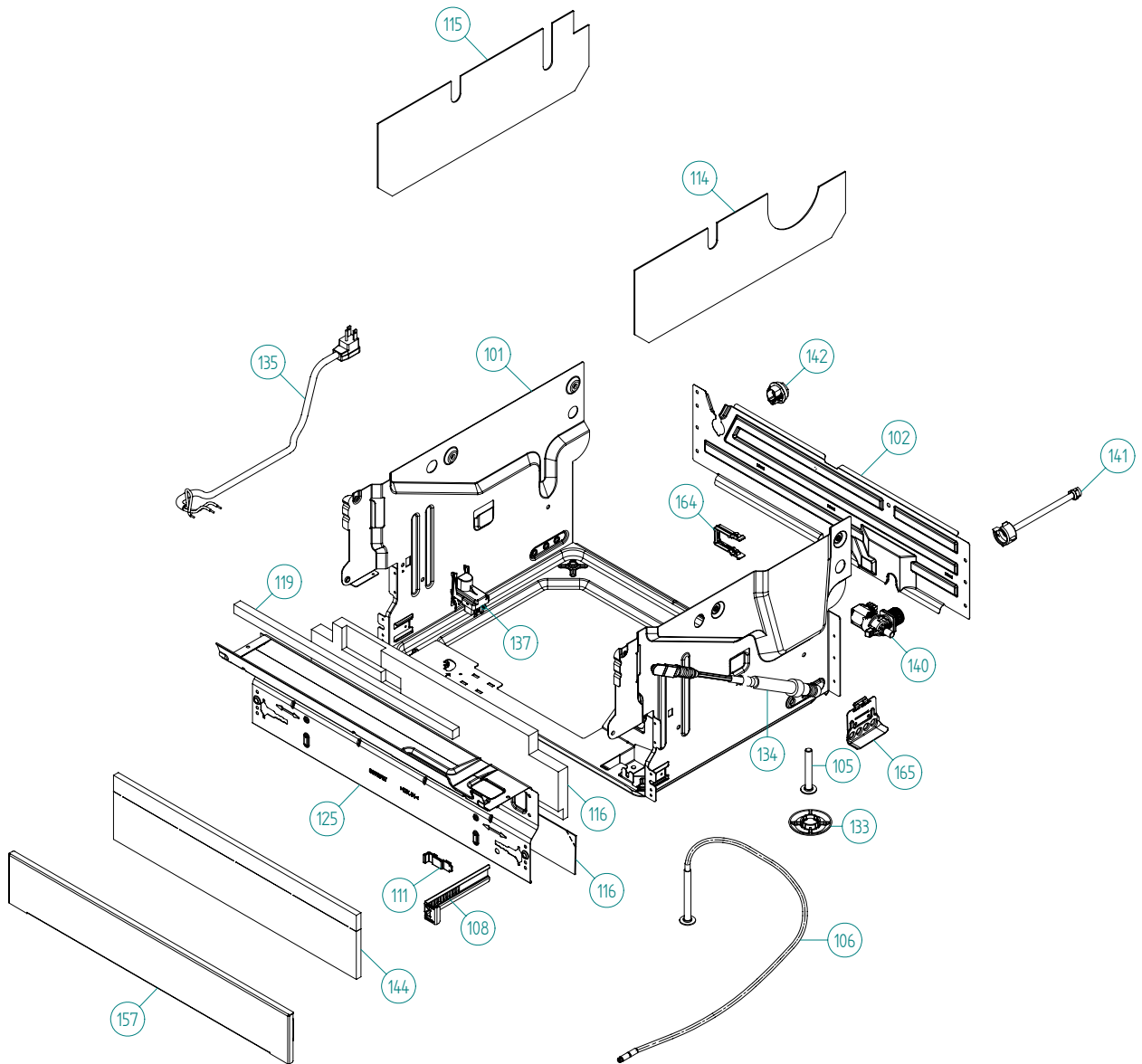
## Spare Parts Catalogue

ASKO Dishwashers \ ASKO 5000 XXL Series  
Type: DW70.3  
Model: D5233 XXL FI US Titanium FI

Prod. No: 1075233156  
April 24th 2012

**ASKO Appliances Inc.**

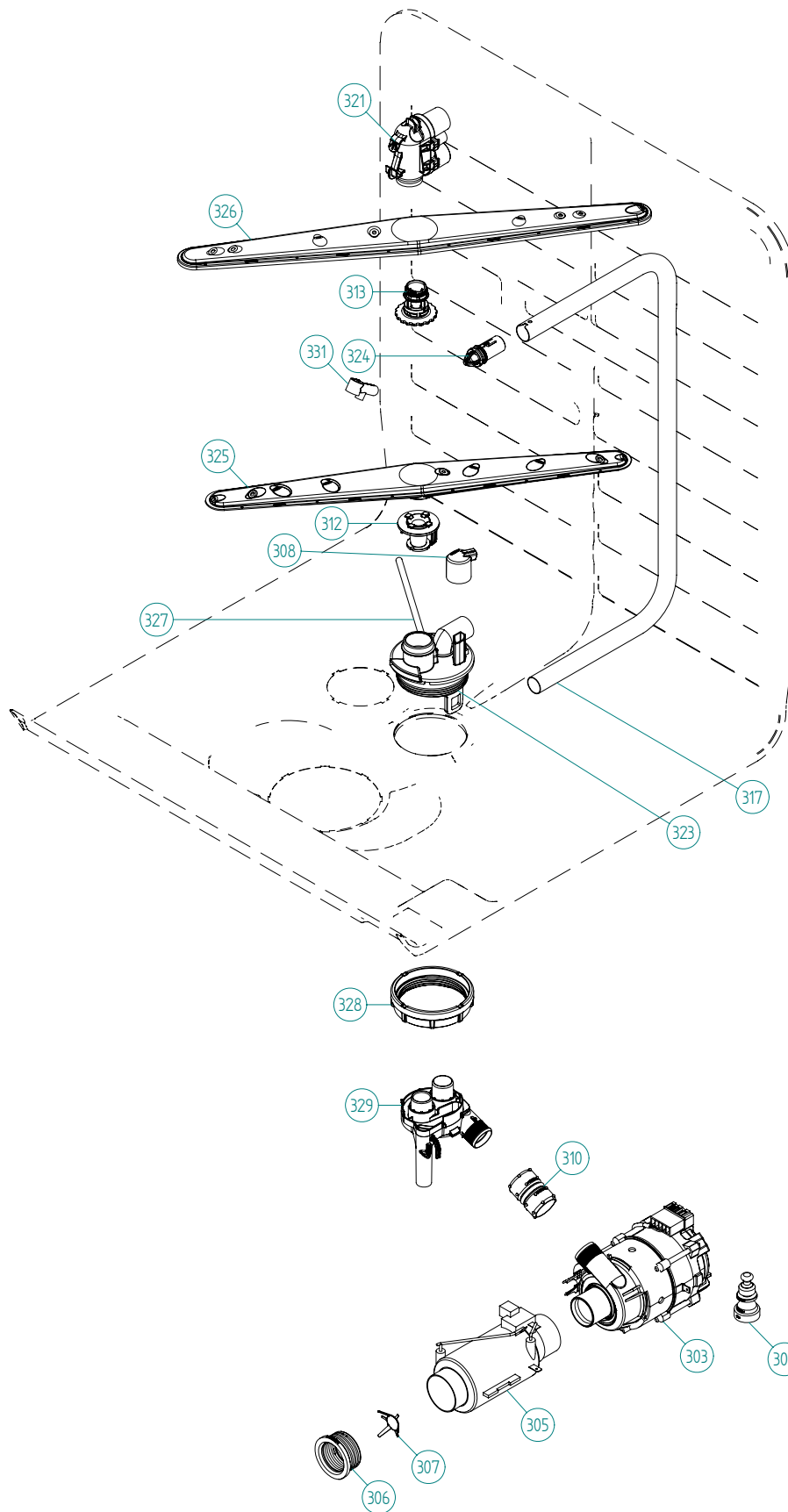
4001 E Plano Parkway #1004001 E Plano Parkway #100  
Plano, Texas 75074



## Base and related parts

### ASKO, D5233 XXL FI US - Titanium FI (DW70.3)

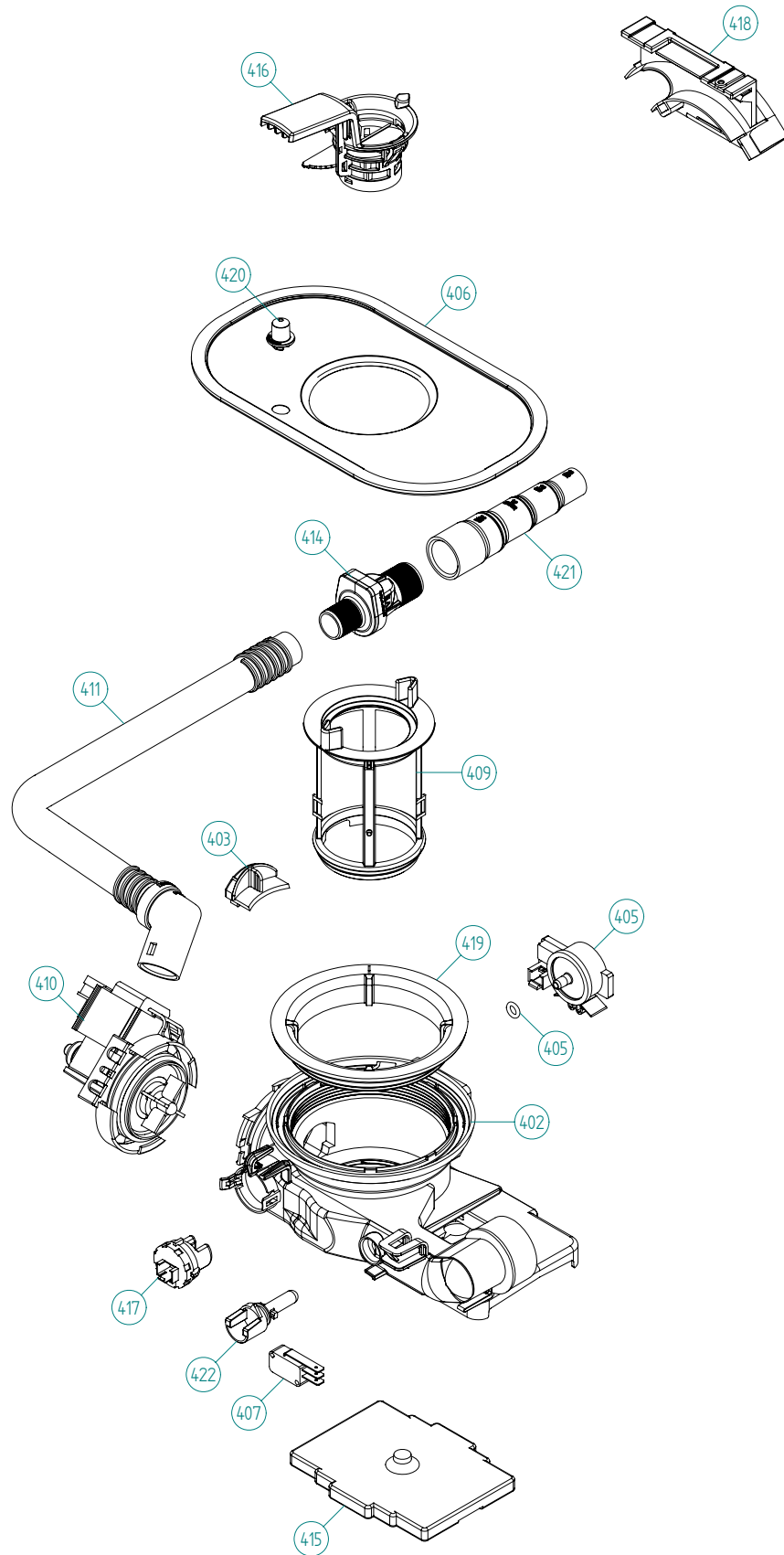
| Pos   | Spare part No. | Description                      | Qty    | Comment |
|-------|----------------|----------------------------------|--------|---------|
| 101   | 8801387        | BOTTOM OUTER COMPL.              | 1 Pc's |         |
| 101-a | 8901104        | Screw 20 Torx Machine            | 2 Pc's |         |
| 101-b | 8901110        | Screw w/ORing DW 05/06 25T       | 4 Pc's |         |
| 102   | 8078006        | REAR PANEL                       | 1 Pc's |         |
| 105   | 8074228        | Leveling Foot M10X75 T30 8.8 FZB | 2 Pc's |         |
| 106   | 8082222        | FOOT ADJUSTABLE FROM FRONT CPL   | 1 Pc's |         |
| 108   | 8073480        | Toe Kick bracket Right & Left    | 2 Pc's |         |
| 111   | 8073481-49     | Toe Kick Bracket Clip L-Grey     | 2 Pc's |         |
| 114   | 8078109        | SOUND ABSORP. SELF AD. RIGHT     | 1 Pc's |         |
| 115   | 8078108        | SOUND ABSORP. SELF AD. LEFT      | 1 Pc's |         |
| 116   | 8078114        | SOUND ABSORBENT GUARD PLATE      | 1 Pc's |         |
| 116   | 8082272        | Sound Absorb Protective Plate    | 1 Pc's |         |
| 119   | 8078122        | SOUND ABSORPTION PROFILE         | 1 Pc's |         |
| 125   | 8078007        | GUARD PLATE FLANGED              | 1 Pc's |         |
| 133   | 8051957        | Glide Foot                       | 3 Pc's |         |
| 134   | 8079530        | Door Spring-DW70-Blue            | 1 Pc's |         |
| 134   | 8079529        | Door Spring-DW70-Red             | 1 Pc's |         |
| 135   | 8083262        | CORD SET 15A AMERICA             | 1 Pc's |         |
| 135   | 8079046        | CORD SET AMERICA                 | 1 Pc's |         |
| 137   | 8083041        | Terminal Block w/RFI DW70        | 1 Pc's |         |
| 137-a | 8901097        | Screw Terminal                   | 1 Pc's |         |
| 140   | 8801376        | KIT INL.VALVE/LOCKARM SING120V   | 1 Pc's |         |
| 140-a | 8079597        | LOCK ARM INLET VALVE             | 1 Pc's |         |
| 141   | 8079522        | PEX Inlet hose DW                | 1 Pc's |         |
| 142   | 8006948        | Grommet                          | 1 Pc's |         |
| 144   | 8074585        | Felt Kick Plate 05               | 1 Pc's |         |
| 157   | 8073566-81     | Toe Kick Mettalic                | 1 Pc's |         |
| 162   | 8079832        | CABLE HOLDER SRC-8-01            | 1 Pc's |         |
| 164   | 8079597        | LOCK ARM INLET VALVE             | 1 Pc's |         |
| 165   | 8078013        | DOOR SPRING HOLDER               | 1 Pc's |         |
| 165-a | 8902362        | SCREW RTK ST 4,2X9,5 FZB WAX.    | 1 Pc's |         |



## Wash System

### ASKO, D5233 XXL FI US - Titanium FI (DW70.3)

| Pos   | Spare part No. | Description                    | Qty    | Comment                              |
|-------|----------------|--------------------------------|--------|--------------------------------------|
| 301   | 8078001        | -                              | 1 Pc's | Not a spare part                     |
| 303   | 8078082        | CIRC.PUMP 120V 60HZ            | 1 Pc's |                                      |
| 304   | 8075130        | Rubber Damper Circ Pump        | 1 Pc's |                                      |
| 305   | 8801463        | HEATER W.INSERT 1200W120V DW70 | 1 Pc's |                                      |
| 306   | 8079531        | SEALING HEATER DW70 UL4        | 2 Pc's | Only 1 pc from 2009-06-11            |
| 307   | 8079575        | INSERT FOR HEATER              | 1 Pc's |                                      |
| 308   | 8073385-77     | Cup Drainage Gray              | 1 Pc's |                                      |
| 310   | 8801409        | Hose Circ Pump                 | 1 Pc's |                                      |
| 310-a | 8056491        | HOSE CLIP 30.1-708             | 2 Pc's |                                      |
| 312   | 8801270        | Spray Arm Bearing Kit          | 1 Pc's |                                      |
| 313   | 8079108-77     | SPRAYARM BEARING H&L U.BASKET  | 1 Pc's |                                      |
| 317   | 8079112-E      | SPRAYTUBE ADJ.U-BASKET XXL     | 1 Pc's |                                      |
| 321   | 8801359        | SPRAYTOWER COMPL H&L BASKET    | 1 Pc's |                                      |
| 323   | 8801270        | KIT SPRAYARM BEAR. LOW NOZZLE  | 1 Pc's |                                      |
| 323-a | 8901765        | ORing det Comp 03/04 DW        | 1 Pc's |                                      |
| 324   | 8079113-77     | GUIDE SPRAYTUBE ADJ BASKET     | 1 Pc's |                                      |
| 325   | 8072891        | Spray Arm Lower Complete       | 1 Pc's |                                      |
| 326   | 8079111        | SPRAYARM CPL H&L BASKET        | 1 Pc's |                                      |
| 327   | 8073381        | Tube Pot Rinse                 | 1 Pc's |                                      |
| 327-a | 8902085        | Screw 20T for Plastic          | 2 Pc's |                                      |
| 328   | 8071607        | Locking Spray Pipe Bearing     | 1 Pc's |                                      |
| 329   | 8078086        | INTERMEDIATE                   | 1 Pc's |                                      |
| 331   | 8072543-77     | Spray Nozzle                   | 1 Pc's | For part no 8073381 and 8076902-L-77 |
| 357   | 8083603        | SEALING HEATER BOTTOM SUMP     | 1 Pc's |                                      |
| 358   | 8079261-77     | INSERT SPRAYARM BEAR.H&L BASK. | 1 Pc's |                                      |



## **Bottom well and related parts**

### **ASKO, D5233 XXL FI US - Titanium FI (DW70.3)**

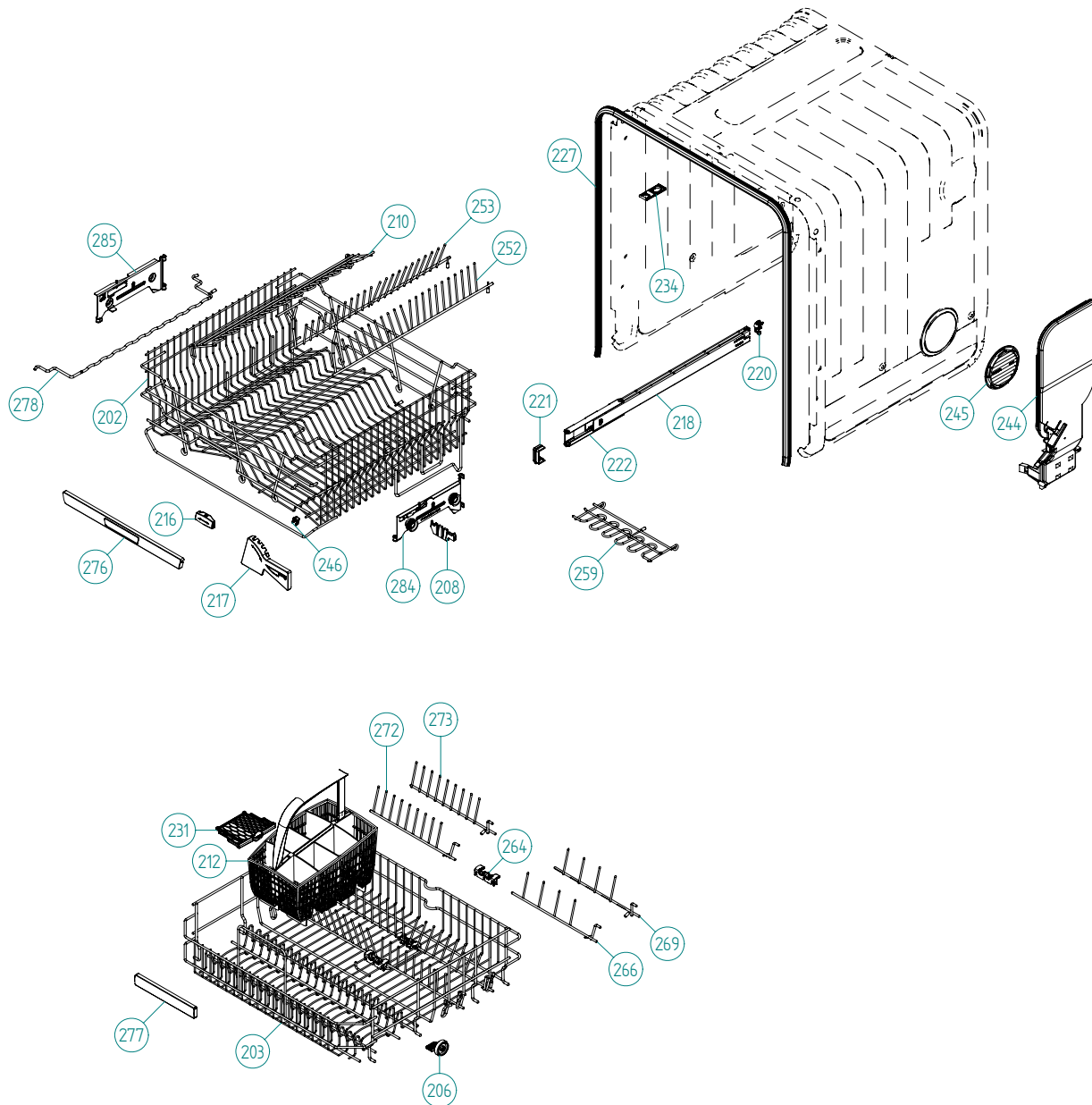
| <b>Pos</b> | <b>Spare part No.</b> | <b>Description</b>             | <b>Qty</b> | <b>Comment</b> |
|------------|-----------------------|--------------------------------|------------|----------------|
| 402        | 8084692               | BOTTOM WELL 2 SENSOR UL4       | 1 Pc's     |                |
| 402        | 8801452               | KIT BOTTOM W.NO RET.VALVE 2SEN | 1 Pc's     |                |
| 402-a      | 8073002               | ORing                          | 1 Pc's     |                |
| 403        | 8078033               | Rinse Cap Bottom Well - Yellow | 1 Pc's     |                |
| 405        | 8073839               | Pressure Sensor                | 1 Pc's     |                |
| 405-a      | 8074040               | O-Ring-Press Sensor            | 1 Pc's     |                |
| 406        | 8074364               | Strainer DW20                  | 1 Pc's     |                |
| 407        | 8073835               | Microswitch Float              | 1 Pc's     |                |
| 409        | 8078038-77            | Pipe Filter DW70               | 1 Pc's     |                |
| 410        | 8078089               | Drain Pump 120V 60Hz           | 1 Pc's     |                |
| 411        | 8079693               | Outlet Hose w/o Return Valve   | 1 Pc's     |                |
| 411        | 8083478               | OUTLET HOSE HARD END CUFF US   | 1 Pc's     |                |
| 411-a      | 8901768               | O-RING 32,3X3 (BD)             | 1 Pc's     |                |
| 414        | 8801248               | Check Valve Kit                | 1 Pc's     |                |
| 414-a      | 8052239               | Hose Clamp                     | 1 Pc's     |                |
| 414-b      | 8053642               | Hose Clamp                     | 1 Pc's     |                |
| 415        | 8078025               | Float                          | 1 Pc's     |                |
| 416        | 8078039-77            | Strainer Basket Grey           | 1 Pc's     |                |
| 417        | 8081321               | TURBIDITY SENSOR DW20/70       | 1 Pc's     |                |
| 418        | 8072528-77            | Holder Outlet Hose             | 1 Pc's     |                |
| 418-a      | 8053642               | Hose Clamp                     | 1 Pc's     |                |
| 418-b      | 8052239               | Hose Clamp                     | 1 Pc's     |                |
| 418-c      | 33700450              | Cable Strip                    | 1 Pc's     |                |
| 418-d      | 8902072               | SCREW PT KB40X10 WN1442 GALV   | 1 Pc's     |                |
| 419        | 8072848               | Lockring Bottom Well           | 1 Pc's     |                |
| 420        | 8074760-77            | Ventilator                     | 1 Pc's     |                |
| 421        | 8075321               | End Cuff                       | 1 Pc's     |                |
| 422        | 8078096               | Thermistor                     | 1 Pc's     |                |
| 426        | 8078024               | SEALING NON RETURN VALVE       | 1 Pc's     |                |
| 427        | 8901768               | O-RING 32,3X3 (BD)             | 1 Pc's     |                |



## Inner door, panel and related parts

### ASKO, D5233 XXL FI US - Titanium FI (DW70.3)

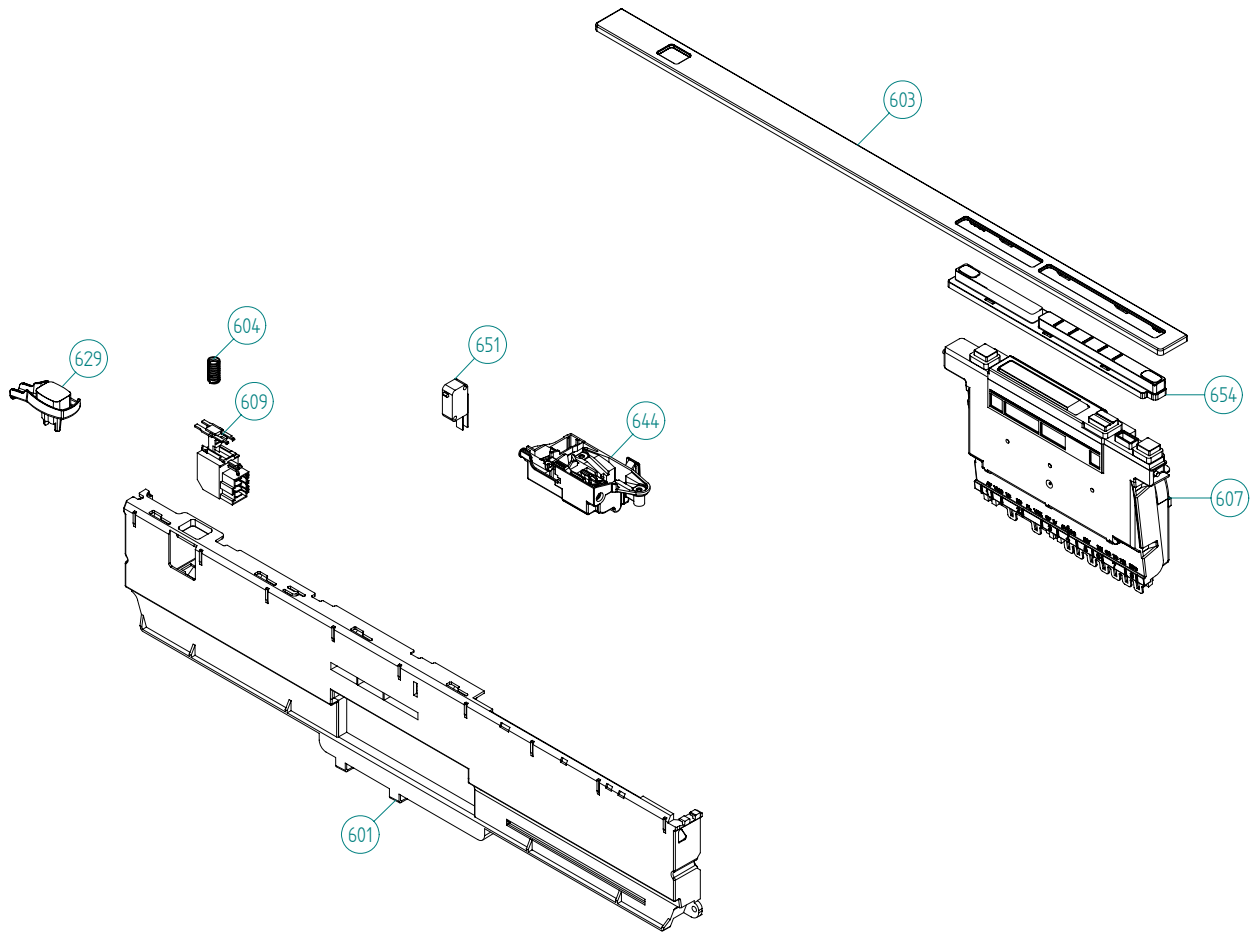
| Pos   | Spare part No.               | Description                    | Qty    | Comment |
|-------|------------------------------|--------------------------------|--------|---------|
| 501   | 8801381                      | Inner door w/fan DW70          | 1 Pc's |         |
| 501-a | 8900646                      | Screw 20 Torx SS               | 6 Pc's |         |
| 501-b | 8902121                      | SCREW A2-MKFT 5X10             | 4 Pc's |         |
| 502   | 8089580                      | Fan Complete 120V              | 1 Pc's |         |
| 502-a | 8058501                      | ORing Turbo Fan Dry 05/06 DW   | 1 Pc's |         |
| 502-b | 8801438                      | KIT WITH NEW WAXMOTOR DW       | 1 Pc's |         |
| 504   | 8801343-77                   | KIT Combi Dispenser 120V       | 1 Pc's |         |
| 504-a | 8071918                      | Seal Det Comp Lid              | 1 Pc's |         |
| 504-b | 8071917                      | CAP RINSE AGENT                | 1 Pc's |         |
| 504-c | 8071918                      | Detergent Lid Complete         | 1 Pc's |         |
| 504-d | 8072288                      | Sealing Strip Combi Disp.      | 1 Pc's |         |
| 504-f | 8902087                      | Screw Plastic Housing 20 Torx  | 6 Pc's |         |
| 505   | 8801458                      | HINGE RIGHT COMPL. DW70        | 1 Pc's |         |
| 506   | 8801459                      | HINGE LEFT COMPL. DW70         | 1 Pc's |         |
| 507   | 8057530                      | Screw hinge 05                 | 2 Pc's |         |
| 507-a | 33500262                     | Nut Term Block                 | 2 Pc's |         |
| 508   | Repl by 8801458 &<br>8801459 | Slide washer hinge bearing 05  | 2 Pc's |         |
| 509   | 8078040                      | Air Channel DW70               | 1 Pc's |         |
| 510   | 8801294                      | DOOR SEAL LOWER W.CORNER GUARD | 1 Pc's |         |
| 511   | 8078017-PES-81               | Outer door-high Int adjust XXL | 1 Pc's |         |
| 511-a | 8900646                      | Screw 20 Torx SS               | 6 Pc's |         |
| 517   | 8074012-81                   | Adj Frame Air Channel          | 1 Pc's |         |
| 517-a | 8902133                      | Screw                          | 2 Pc's |         |
| 522   | 8089401                      | LOCKKING RING 2 FAN HOUSE UL4  | 1 Pc's |         |
| 522-a | 8902085                      | Screw 20T for Plastic          | 2 Pc's |         |
| 523   | 8079546                      | INTERM.STAY XL FI EU           | 1 Pc's |         |
| 524   | 8083978-33                   | NOZZLE AIR DUCT-FI Units       | 1 Pc's |         |
| 526   | 8058484                      | SS Coverplate Turbo Fan DW     | 1 Pc's |         |
| 526-a | 8902085                      | Screw 20T for Plastic          | 2 Pc's |         |
| 529   | 8074278                      | Bracket for harness            | 1 Pc's |         |
| 531   | 8074258                      | Sound Absorbtion Outer Door    | 1 Pc's |         |
| 542   | 8076966                      | COVER, CABLES                  | 1 Pc's |         |
| 550   | 8079558                      | AIR CANNEL EXTENSION           | 1 Pc's |         |
| 552   | 8083021                      | COVER COMBI DISPENSER          | 1 Pc's |         |



## Baskets and related parts

### ASKO, D5233 XXL FI US - Titanium FI (DW70.3)

| Pos   | Spare part No. | Description                    | Qty    | Comment          |
|-------|----------------|--------------------------------|--------|------------------|
| 201   | 8057056        | -                              | 1 Pc's | Not a spare part |
| 202   | 8801358-36     | UPPER BASKET EXCL. COMPL. H&L  | 1 Pc's |                  |
| 203   | 8801316-36     | LOWER BASKET EXCL D.GREY 07    | 1 Pc's | New design       |
| 206   | 8079257-77     | WHEEL FOR LOW DISHW BASKET CPL | 8 Pc's |                  |
| 208   | 8071214-77     | Knife Holder 05/06 DW          | 2 Pc's |                  |
| 210   | 8071337-36     | Cup Shelf Wine Glass 05/06 DW  | 1 Pc's |                  |
| 212   | 8801396-77     | Cutlery Bskt for Stnd Tines    | 1 Pc's |                  |
| 216   | 8072553-77     | BRACKET PIN ROW UPPER BASKET   | 1 Pc's |                  |
| 217   | 8072554-77     | KNIFE GUARD                    | 1 Pc's |                  |
| 218   | 8801350        | DW Upper Basket Guide Rail Kit | 2 Pc's |                  |
| 220   | 8057978-77     | DW Rail Stop - Back Grey       | 2 Pc's |                  |
| 221   | 8088703-77     | BASKET STOP                    | 2 Pc's |                  |
| 222   | 8801349-77     | KIT BALL HOLDER INCL. BALLS    | 1 Pc's |                  |
| 225   | 8057978-77     | DW Rail Stop - Back Grey       | 2 Pc's |                  |
| 227   | 8057489-F      | DOOR STRIP XXL DW70            | 1 Pc's |                  |
| 231   | 8079251-77     | DOOR CUTLERYBASKET UL4         | 1 Pc's |                  |
| 234   | 8070649        | Lock Hitch Int                 | 1 Pc's |                  |
| 234-a | 8070654        | Lock Washer Int                | 1 Pc's |                  |
| 234-b | 8901104        | Screw 20 Torx Machine          | 1 Pc's |                  |
| 244   | 8078300        | AIRBREAK STD. DW70 UL4         | 1 Pc's |                  |
| 245   | 8057536-77     | LOCKRING AIREBREAKER GREY      | 1 Pc's |                  |
| 246   | 8075350        | Clip for Knife Guard           | 1 Pc's |                  |
| 252   | 8072552-36     | PLATERACK RIGHT U-BASKET       | 1 Pc's |                  |
| 253   | 8072551-36     | PLATERACK LEFT U-BASKET        | 1 Pc's |                  |
| 259   | 8076619-36     | wine glass cup shelf divider   | 2 Pc's |                  |
| 264   | 8076632-77     | Holder                         | 3 Pc's |                  |
| 266   | 8079130-36     | PlateRack short/wide R-FT      | 1 Pc's |                  |
| 269   | 8079131-36     | PlateRack short/wide R-BK      | 1 Pc's |                  |
| 272   | 8079123-36     | PlateRack short/narrow L-FT    | 1 Pc's |                  |
| 273   | 8079124-36     | PlateRack short/narrow L-BK    | 1 Pc's |                  |
| 276   | 8801330-77     | HANDLE U-BASKET COMPL. ASKO    | 1 Pc's |                  |
| 277   | 8801332-77     | HANDLE LOWER BASKET COMPL.     | 1 Pc's |                  |
| 278   | 8072764-36     | GLASS SUPPORT D-GREY           | 1 Pc's |                  |
| 278   | 8079144-36     | GLASS SUPPORT D-GREY           | 1 Pc's |                  |
| 284   | 8079138        | Basket Adj Bracket Right       | 1 Pc's |                  |
| 285   | 8079139        | Basket Adj Bracket Left        | 1 Pc's |                  |



## Control panel and related parts

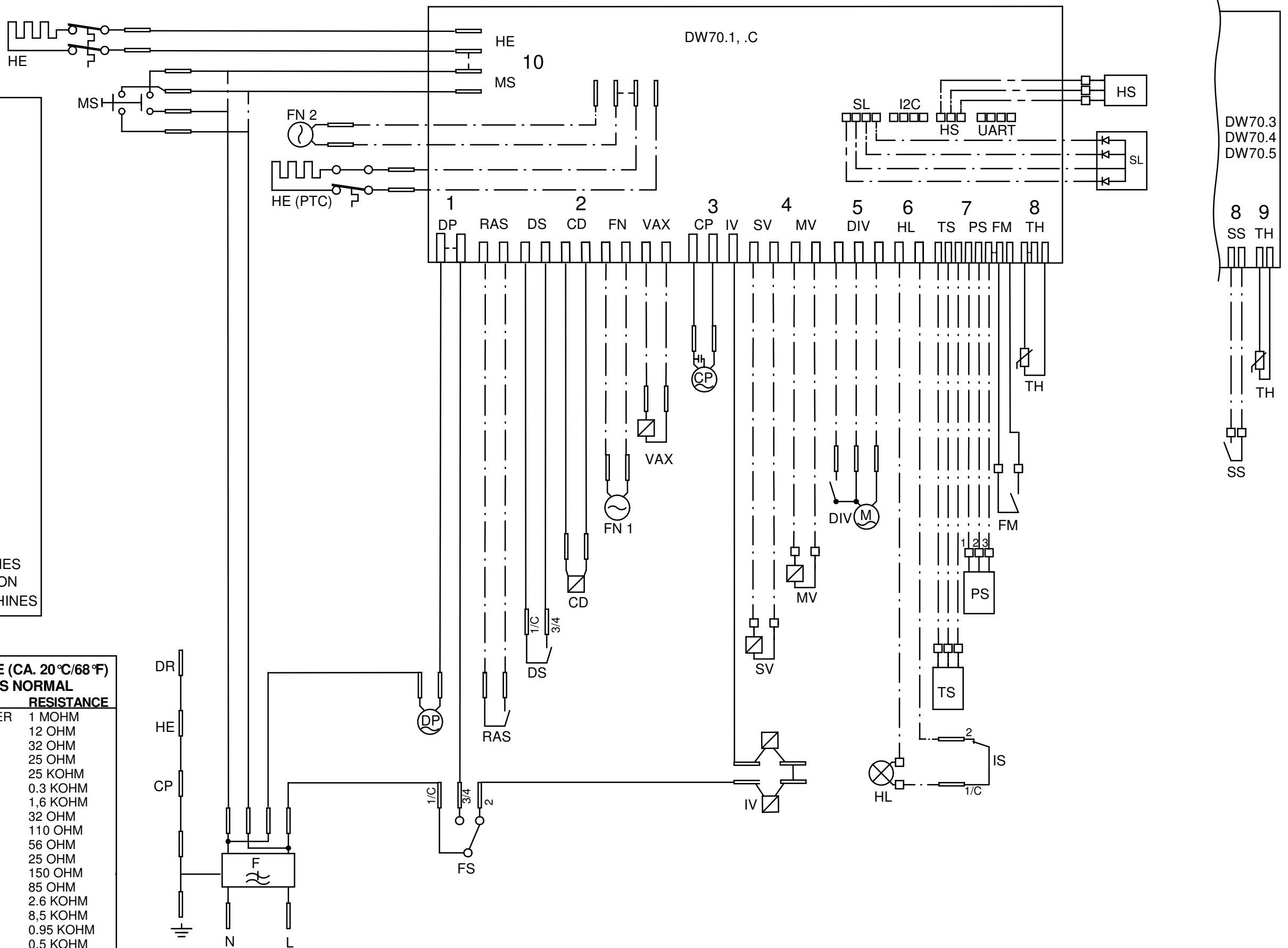
### ASKO, D5233 XXL FI US - Titanium FI (DW70.3)

| Pos | Spare part No. | Description                    | Qty    | Comment |
|-----|----------------|--------------------------------|--------|---------|
| 601 | 8084001-UL     | PANEL DW90 INTEGRATED LOCK UL4 | 1 Pc's |         |
| 602 | 8082884        | PROG.INFO.LABEL 3KN AUT/DEL US | 1 Pc's |         |
| 603 | 8082879-81     | CONTROL LENS ASKO D5233 (70.3) | 1 Pc's |         |
| 604 | 8074277        | SPRING MAIN SWITCH             | 1 Pc's |         |
| 607 | 8801435        | CONT.UNIT DW70.3 INTERVAL FAN  | 1 Pc's |         |
| 609 | 8073782        | MAIN PUSH SWITCH               | 1 Pc's |         |
| 610 | 8079517        | CABLE SET THERMISTOR UL4       | 1 Pc's |         |
| 614 | 8078068        | CABLE SET CI.PUMP IN.VALVE UL4 | 1 Pc's |         |
| 616 | 8078064        | CABLE SET FLOW PRESS. TURB.UL4 | 1 Pc's |         |
| 618 | 8078070        | CABLE SET POWER UL4            | 1 Pc's |         |
| 620 | 8075730        | Cable Set Fan                  | 1 Pc's |         |
| 622 | 8078063        | CABLE SET DRAIN UL4            | 1 Pc's |         |
| 629 | 8081633-81     | PUSHB. MAINSW. DW70.3 GRAP UL4 | 1 Pc's |         |
| 644 | 8073670        | Lock Complete Integrated       | 1 Pc's |         |
| 651 | 8073836        | MICROSWITCH DOOR               | 0 Pc's |         |
| 654 | 8082880-81     | PUSH BUTTONS ASKO 70.3 3KN GR. | 1 Pc's |         |

- CD: COMBI DISPENSER
  - CP: CIRCULATION PUMP
  - DIV: WATER DIVERTER VALVE
  - DP: DRAIN PUMP
  - DR: DOOR
  - DS: DOOR SWITCH
  - F: FILTER
  - FM: FLOW METER
  - FN 1: FAN DOOR
  - FN 2: FAN BOTTOM
  - FS: FLOAT SWITCH
  - HE: HEATING ELEMENT
  - HE (PTC): HEATING ELEMENT PTC
  - HL: HALOGEN LAMP
  - HS: HUMIDITY SENSOR
  - IS: ILLUM. SWITCH
  - IV: INLET VALVE
  - I2C: I2C
  - MS: MAIN SWITCH
  - MV: MIX VALVE
  - PS: PRESSURE SENSOR
  - RAS: RINSE AID SENSOR
  - SL: STATUS LIGHT
  - SS: SALT SENSOR
  - SV: SALT VALVE
  - TH: THERMISTOR
  - TS: TURBIDITY SENSOR
  - UART: UART
  - VAX: VAX ACTUATOR
- WIRES IN ALL MACHINES  
 - - - INTERNAL CONNECTION  
 - · - WIRES IN SOME MACHINES

**RESISTANCES AT ROOM TEMPERATURE (CA. 20°C/68°F)**  
**VALUES WITH +/-10% ARE REGARDED AS NORMAL**

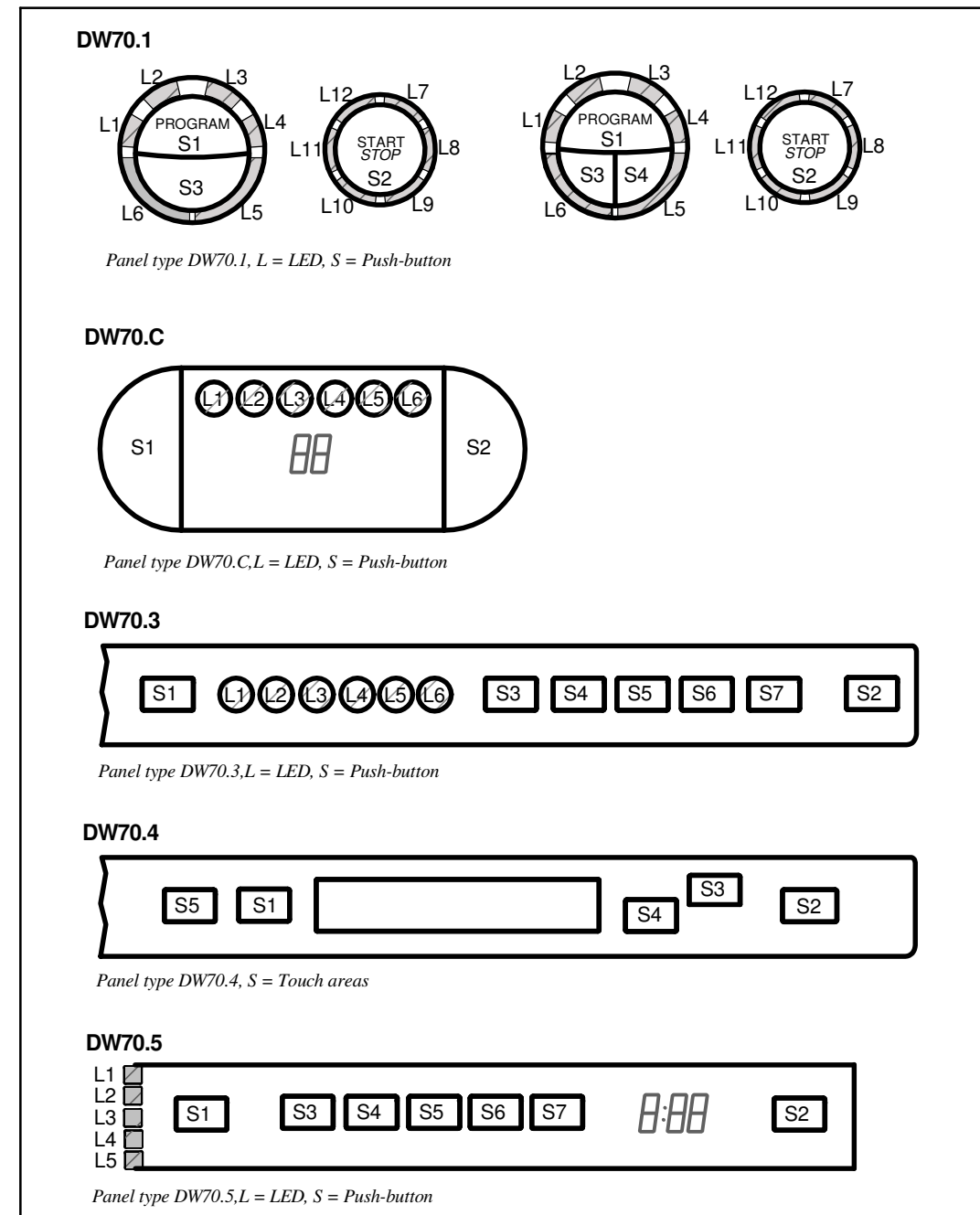
| COMPONENT                             | RESISTANCE |
|---------------------------------------|------------|
| RADIO INTERFERENCE SUPPRESSION FILTER | 1 MOHM     |
| HEATING ELEMENT 1200W 120V            | 12 OHM     |
| HEATING ELEMENT 1600W 230V            | 32 OHM     |
| HEATING ELEMENT 2040W 230V            | 25 OHM     |
| THERMISTOR                            | 25 KOHM    |
| COMBINED DISPENSER 120V               | 0.3 KOHM   |
| COMBINED DISPENSER 230V               | 1,6 KOHM   |
| CIRCULATION PUMP 120V 60HZ            | 32 OHM     |
| CIRCULATION PUMP 230V 50HZ            | 110 OHM    |
| CIRCULATION PUMP 220V 60HZ            | 56 OHM     |
| DRAIN PUMP 120V 60HZ                  | 25 OHM     |
| DRAIN PUMP 230V 50HZ                  | 150 OHM    |
| DRAIN PUMP 230V 60HZ                  | 85 OHM     |
| SPRAY ARM DIVIDER 120V 60HZ           | 2.6 KOHM   |
| SPRAY ARM DIVIDER 230V 50/60HZ        | 8,5 KOHM   |
| INLET VALVE SINGLE INCL. 120V         | 0.95 KOHM  |
| INLET VALVE SAFETY INCL. 120V         | 0.5 KOHM   |
| INLET VALVE SINGLE INCL. 230V         | 3,9 KOHM   |
| INLET VALVE SAFETY INCL. 230V         | 2 KOHM     |
| SALT VALVE 120V                       | 0,65 KOHM  |
| MIX VALVE 120V                        | 0,65 KOHM  |
| SALT VALVE 230V                       | 3 KOHM     |
| MIX VALVE 230V                        | 2,3 KOHM   |
| HALOGEN LAMP 5W 12V                   | <10 KOHM   |
| WAX MOTOR                             | 1.1 KOHM   |
| FAN MOTOR 120V                        | 0.18 KOHM  |
| FAN MOTOR 230V                        | 0,85 KOHM  |



CIRCUIT DIAGRAM DW70.1, .3, .4, .5, .C  
**80 796 55 - 01**

This document must not be copied without our written permission, and the contents thereof must not be imparted to a third party nor be used for any unauthorized purpose. Contravention will be prosecuted. Asko Appliances AB

## Displays



### TOTAL RESET

TURN OFF MAIN SWITCH  
 WAIT FOR AT LEAST 5 SECS  
 HOLD PROGRAM BUTTON (S1), FOR DW70.4 HOLD PROGRAM BUTTON (S1)  
 AND NAVIGATION BUTTON (S4).  
 TURN ON MAIN SWITCH  
 RELEASE PROGRAM BUTTON (S1), FOR DW70.4 RELEASE PROGRAM BUTTON (S1)  
 AND NAVIGATION BUTTON (S4).

### SERVICE MENU

TURN OFF MAIN SWITCH  
 WAIT FOR AT LEAST 5 SECS  
 HOLD PROGRAM AND START BUTTONS (S1 & S2)  
 TURN ON MAIN SWITCH  
 RELEASE PROGRAM AND START BUTTONS (S1 & S2)

### VARIANT SETTING (NOT DW70.4)

HOLD PROGRAM AND START BUTTONS (S1 & S2)  
 TURN ON MAIN SWITCH  
 RELEASE PROGRAM AND START BUTTONS  
 PRESS START (S2) 3 TIMES WITHIN 5 SECS  
 SELECT VARIANT BY START BUTTON (S1) AND  
 CONFIRM BY START BUTTON (S2)

## COMPONENT TEST:

**First enter Service menu.**

### DW70.1, DW70.3, DW70.5 and DW70.C

Component test:

Press the Program button (S1) and index through the following components:

1. Inlet valve and mix valve (only machines with water softener)
2. Inlet valve
3. Salt valve (only machines with water softener)
4. Detergent and surfactant dispenser
5. Circulation pump
6. Heating element and circulation pump (Max 75°C)
7. Fans
8. Drain pump

### DW70.4

**First enter service menu.**

Go to service menu step 2, Diagnostics, by pressing S4

Press (S3) to activate the following components:

1. Valve (Inlet valve and mix valve (only machines with water softener), display flowsensor value)
2. Valve (Inlet valve, display flowsensor value)
3. Salt (Salt valve, only machines with water softener)
4. Disp (Detergent and surfactant dispenser)
5. Circ (Circulation pump, display shows turbidity in Volts)
6. Heat (Heating element and circulation pump (Max 75°C))
7. Fans (display shows humidity sensor value)
8. Drain (Drain pump, display shows pressure sensor reading; 0.5-3.5 VDC)

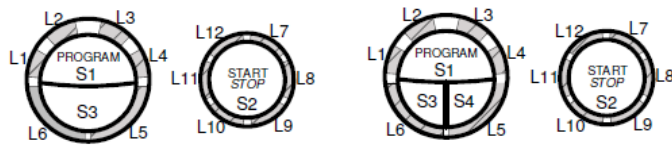
CIRCUIT DIAGRAM DW70.1, .3, .4, .5, .C

80 796 55 - 01

This document must not be copied without our written permission, and the contents thereof must not be imparted to a third party nor be used for any unauthorized purpose. Contravention will be prosecuted.  
 Askö Appliances AB

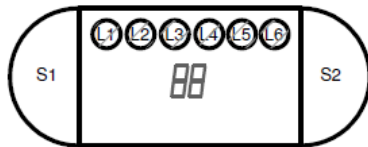
## Displayer

### DW70.1



Paneltyp DW70.1, L=LED, S= Tryckknapp

### DW70.C



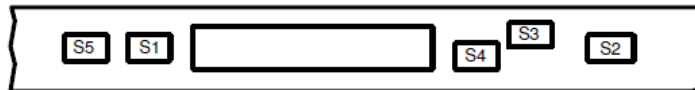
Paneltyp DW70.C, L=LED, S= Tryckknapp

### DW70.3



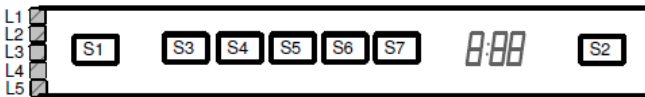
Paneltyp DW70.3 L=LED, S= Tryckknapp

### DW70.4



Paneltyp DW70.4, S = Tryckområde

### DW70.5



Paneltyp DW70.5 L=LED, S= Tryckknapp

## Återställning

- Stäng av huvudströmbrytaren.
- Vänta i åtminstone 5 sekunder.
- Håll nere programknappen (S1) (för DW70.4 håll nere programknappen (S1) och navigationsknappen (S4)).
- Slå på huvudströmbrytaren (S1).
- Släpp programknappen (S1) (för DW70.4, släpp programknappen (S1) och navigationsknappen (S4)).

## Servicemeny

- Stäng av huvudströmbrytaren.
- Vänta i åtminstone 5 sekunder.
- Håll program- och startknappen (S1 & S2) intryckta.
- Slå på huvudströmbrytaren.
- Släpp program- och startknappen (S1 & S2).

## Variantinställning (ej DW70.4)

- Håll program- och startknapp (S1 & S2) intryckta.
- Slå på huvudströmbrytaren
- Släpp program- och startknapparna (S1 & S2)
- Tryck på startknappen (S2) 3 gånger inom 5 sekunder.
- Välj variant genom att trycka på startknappen (S2) och bekräfta ditt val genom att trycka på programknappen (S1)

## Komponenttest:

Gå först in i Servicemenyn.

### DW70.1, DW70.3, DW70.5 och DW70.C

Komponenttest:

Tryck på knappen (S1) och stega igenom följande komponenter:

1. Inloppsventil och mixventil (endast maskiner med avhårdare)
2. Inloppsventil
3. Saltventil (endast maskiner med avhårdare)
4. Diskmedel och sköljmedelsdoserare
5. Cirkulationspump
6. Värmeelement och cirkulationspump (Max 75°C)
7. Fläktar
8. Avloppspump

### DW70.4

Gå först in i servicemenyn.

Gå först till servicemenyn steg 2 genom att trycka på knappen (S4)

Tryck på knappen (S3) för att aktivera följande komponenter.

1. Ventil (Inloppsventil och mixventil (endast maskiner med avhårdare) display visar intagen vattenmängd i antal pulser; pulsmätare är placerad i luftavbrottet).
2. Ventil (Inloppsventil, visar trycksensorvärde)
3. Salt (Saltventil, endast maskiner med avhårdare)
4. Behållare (Disk- och vätmedelsdoserare)
5. Cirkulation (Cirkulationspump)
6. Värme (Värmeelement och cirkulationspump (Max 75 °C))
7. Fläktar (Displayen visar fuktensorvärde)
8. Avloppspump