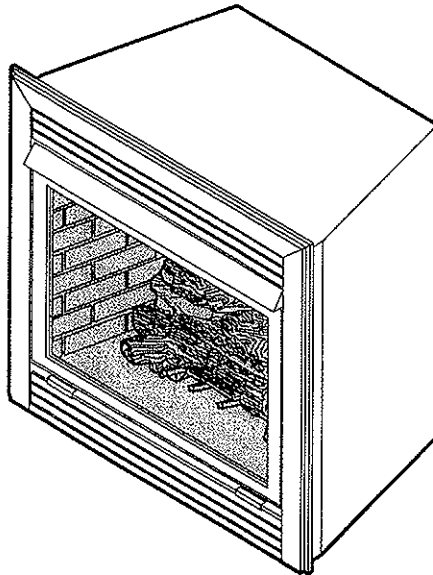


# MONESSEN HEARTH SYSTEMS

## Natural Gas Models

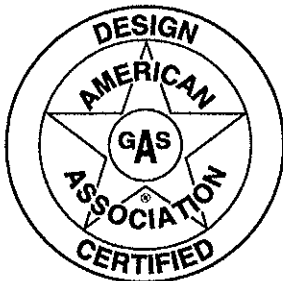
DZS36NMAS  
DZS36NTAS  
DZS36NVAS



## Propane (LPG) Models

DZS36PMAS  
DZS36PTAS  
DZS36PVAS

## UNVENTED GAS LOG FIREPLACE INSTALLATION AND OPERATING INSTRUCTIONS



This is an unvented gas-fired heater. It uses air (oxygen) from the room in which it is installed. Provisions for adequate combustion and ventilation air must be provided.

## WARNINGS

If the information in this manual is not followed exactly, a fire or explosion may result causing property damage, personal injury or loss of life.

- Do not store or use gasoline or other flammable vapors and liquids in the vicinity of this or any other appliance.
- **WHAT TO DO IF YOU SMELL GAS**
  - Do not try to light any appliance.
  - Do not touch any electrical switch; do not use any phone in your building.
  - Immediately call your gas supplier from a neighbor's phone. Follow the gas supplier's instructions.
  - If you cannot reach your gas supplier, call the fire department.
- Installation and service must be performed by a qualified installer, service agency or the gas supplier.

**READ AND SAVE THESE INSTRUCTIONS**

# CONTENTS

---

IMPORTANT SAFETY INFORMATION .....	1
PRODUCT FEATURES .....	3
PRODUCT FEATURES / SPECIFICATIONS .....	4
GETTING STARTED .....	5
GENERAL INSTALLATION INFORMATION .....	6
REMOVING SCREEN .....	9
INSTALLING CANOPY .....	9
DOOR HANDLE INSTALLATION .....	10
SECURING HEATER TO FLOOR.....	10
LOCATION OF FIREPLACE .....	11
CLEARANCE AND HEIGHT REQUIREMENTS .....	12
FIREPLACE FRAMING .....	14
CONNECTING THE GAS .....	15
CHECKING GAS PRESSURE.....	16
ELECTRICAL WIRING .....	17
LOG PLACEMENT .....	19
FLAME APPEARANCE.....	20
CHECKING BURNER FLAMES.....	21
OPERATING INSTRUCTIONS .....	21
WHAT TO DO IF YOU SMELL GAS .....	22
MANUAL CONTROL LIGHTING.....	23
THERMOSTATIC CONTROL LIGHTING .....	24
MILLIVOLT CONTROL LIGHTING .....	25
MATCH LIGHTING INSTRUCTIONS .....	26
BLOWER OPERATION .....	26
CLEANING AND SERVICING .....	27
PARTS LIST .....	28, 30, 32
ILLUSTRATION .....	29, 31, 32
TROUBLESHOOTING .....	34

---

## IMPORTANT SAFETY INFORMATION

---

**INSTALLER:** Please leave these instructions with the owner.

**OWNER:** Please retain these instructions for future reference.

**IMPORTANT:** Read these instructions carefully before installing or trying to operate this unvented gas heater.

**WARNING**

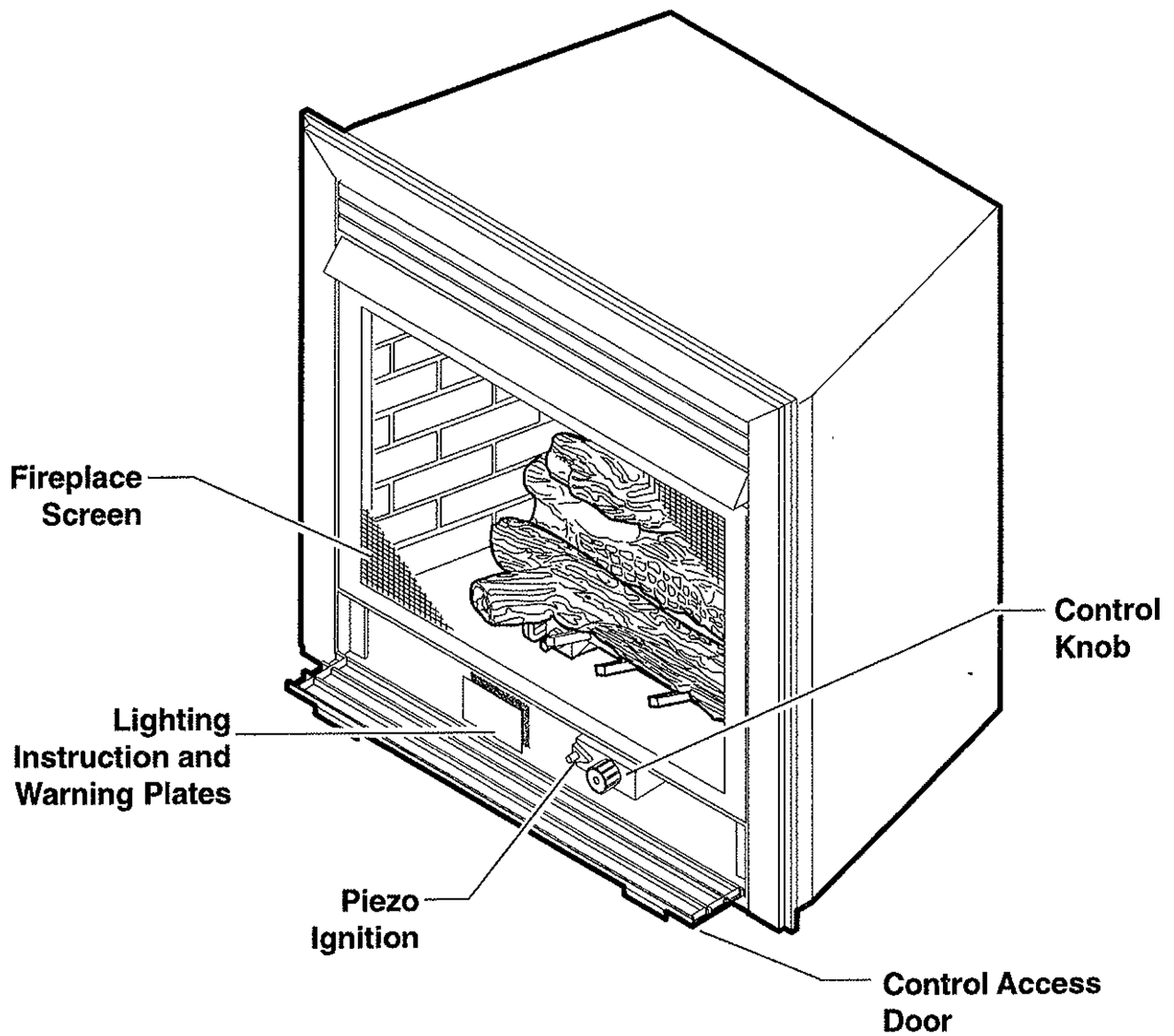
**Any modification to this unvented gas heater or its controls can be dangerous. Improper installation or use of the heater can cause serious injury or death from fire, burns, explosion or carbon monoxide poisoning.**

1. **CARBON MONOXIDE POISONING:** Early signs of carbon monoxide poisoning are similar to the flu with headaches, dizziness and/or nausea. If you have these signs, obtain fresh air immediately. Have the heater serviced as it may not be operating properly.
2. The installation must conform with local codes or, in the absence of local codes, with the National Fuel Gas Code, ANSI Z223.1.
3. This unit complies with ANSI Z21.11.2b-1995 Unvented Heaters.
4. Do not install the heaters in a bathroom or bedroom.
5. Installation and repair should be done by a qualified service person.
6. To prevent malfunction and/or sooting, an unvented gas heater should be cleaned at least annually by a professional service person. More frequent cleaning may be required due to excessive lint from carpeting, etc. It is imperative that control compartments, burners and circulating air passageways be kept clean.
7. Correct installation of the ceramic fiber logs, proper location of the heater and annual cleaning are necessary to avoid potential problems with sooting. Sooting, resulting from improper installation or operation, can settle on surfaces outside the fireplace. See log placement instructions for proper installation.
8. Avoid any drafts that alter burner flame patterns. Do not allow fans to blow directly into fireplace. Do not place a blower inside burn area of firebox. Ceiling fans may create drafts that alter burner flame patterns. Sooting and improper burning will occur as a result of drafts.
9. This is an unvented gas-fired heater. It uses air (oxygen) from the room in which it is installed. Provisions for adequate combustion and ventilation air must be provided. Refer to installation guidelines.
10. Children and adults should be alerted to the hazard of high surface temperature and should stay away to avoid burns or clothing ignition.
11. Young children should be carefully supervised when they are in the same room with the heater.
12. Do not place clothing or other flammable material near the fireplace when the heater is in use.

## IMPORTANT SAFETY INFORMATION

---

13. Keep room area clear and free from combustible materials, gasoline and other flammable vapors and liquids.
14. Any safety screen or guard removed for servicing, must be replaced prior to operating the heater.
15. Unvented gas heaters are a supplemental zone heater. They are not intended to be a primary heating appliance. Water vapor produced by an unvented heater can create moisture problems in a home when operated for extended periods of time.
16. During manufacturing, fabricating and shipping, various components of this appliance are treated with certain oils, films or bonding agents. These chemicals are not harmful but may produce annoying smoke and smells as they are burned off during the initial operation of the appliance; possibly causing headaches or eye or lung irritation. This is a normal and temporary occurrence.  
The initial break-in operation should last 2-3 hours with the burner at the highest setting. Provide maximum ventilation by opening windows or doors to allow odors to dissipate. Any odors remaining after this initial break-in period will be slight and will disappear with continued use.
17. Input ratings are shown in BTU per hour and are for elevations up to 2,000 feet. For elevations above 2,000 feet, input ratings should be reduced 4 percent for each 1,000 feet above sea level. Refer to the National Fuel Gas Code.
18. The heater and its individual shutoff valve must be disconnected from the gas supply piping system during any pressure testing of that system at test pressures in excess of 1/2 psig (3.5 kPa).
19. The heater must be isolated from the gas supply piping system by closing its individual manual shutoff valve during any pressure testing of the gas supply piping system at test pressures equal to or less than 1/2 psig (3.5 kPa).
20. Do not use this room heater if any part has been under water. Immediately call a qualified service technician to inspect the room heater and to replace any part of the control system and any gas control which has been under water.
21. Due to high temperatures, the heater should be located out of traffic and away from furniture and draperies.



*Figure 1. Unvented Gas Heater  
(Control Access Door Shown Open)*

Your vent-free fireplace must be mounted on the floor or on the optional fireplace hearth.

**OPERATION**

This unvented gas heater requires no outside venting, burns cleanly with high heating efficiency.

This zero-clearance unvented gas heater can be installed against (or recessed into) any wall that is accessible to a gas line.

# PRODUCT FEATURES/SPECIFICATIONS

---

## Natural Gas

### Manual / T-Stat Pressure

Regulator Pressure Setting: 3" w.c.

Gas Inlet Pressure: Max. 10 1/2" w. c.  
Min. 5" w.c.

### Millivolt Pressure

Regulator Pressure Setting: 3.5" w.c.

Pilot Regulator: 3.5" w.c.

Gas Inlet Pressure: Max. 10 1/2" w. c.  
Min. 5" w.c.

Model Number	Type	Gas Rate	
		Max. BTU/Hr	Min. BTU/Hr
DZS36NMAAS	Manual	32,000	19,000
DZS36NTAS	T-Stat	28,000	20,000
DZS36NVAAS	Millivolt	32,000	20,000

## Propane / LPG

*Note: An external regulator is required to reduce supply pressure to a maximum of 13" w. c.*

### Manual / T-Stat Pressure

Regulator Pressure Setting: 10" w.c.

Gas Inlet Pressure: Maximum 13" w.c.  
Minimum 11" w.c.

### Millivolt Pressure

Regulator Pressure Setting: 10" w.c.

Gas Inlet Pressure: Maximum 13" w.c.  
Minimum 11" w.c.

Model Number	Type	Gas Rate	
		Max. BTU/Hr	Min. BTU/Hr
DZS36PMAAS	Manual	33,000	19,000
DZS36PTAS	T-Stat	28,000	20,000
DZS36PVAAS	Millivolt	32,000	24,000

**Ignition** - Piezo ignitor allows ignition of the pilot without the use of matches or batteries.

### Controls

*Manual control has four (4) positions:*

- OFF** - All gas to the gas logs is shut off at the valve.
- IGN** - Valve position to light/maintain a standing pilot.
- LOW** - Minimum gas rate: Front burner provides a realistic glow on the center log.
- HI** - Maximum gas rate: Front burner provides a realistic glow on the center log, plus the rear burner provides a pleasing yellow flame.

*Thermostat control has three (3) positions:*

- OFF** - All gas to the gas logs is shut off at the valve.
- IGN** - Valve position to light /maintain a standing pilot.
- LOW/HI** - Variable position corresponding to desired temperature. Both front and rear burners are in operation to provide realistic glow and yellow flame.

*Millivolt control has four (4) positions:*

- OFF** - All gas to the gas logs is shut off at the valve.
- IGN** - Valve position to light/maintain a standing pilot.
- ON** - Valve position to turn ON/OFF log set with remote switch/thermostat.
- LOW/HI** - Variable position to control flame height (heat output). Both front and rear burners are in operation to provide realistic glow and yellow flame.

## PRODUCT SPECIFICATIONS /GETTING STARTED

---

**Pilot** - The gas log heater is fitted with a specially designed safety pilot light which senses the amount of oxygen available in the room and shuts the gas log heater off if the oxygen level begins to drop below a satisfactory level. The pilot can only be relit when adequate fresh air is available.

**Thermal Generator** - The millivolt gas log pilot is fitted with a millivolt generator to provide power for remote activation.

### GETTING STARTED

#### Make sure you have received all parts:

Check your packing list to verify that all listed parts have been received. You should have the following:

- 36" Unvented gas heater.
- Installation / operating instructions.
- Ceramic fiber logs.
- Two (2) anchoring screws.
- Plastic bag containing crushed volcanic rock.
- Access door handles with mounting screws.
- Canopy

Millivolt controlled heater designed to be operated with optional devices for ON/OFF functions.

- Hand held Remote with receiver.
- Wall switch with 20' wire.
- Wall T-stat with 20' wire.

**CAUTION**

**Handle the gas log burner assembly by the grate only. Do not pick the unit up by the burners.**

**Gloves are recommended when handling ceramic fiber logs to prevent skin irritation from loose fibers. Logs are fragile -- handle with care.**

Carefully inspect the contents for shipping damage. If any parts are missing or damaged, immediately inform the dealer from whom you purchased the appliance. **Do not attempt to install any part of the appliance unless you have all parts in good condition.**

#### What you will need for installation:

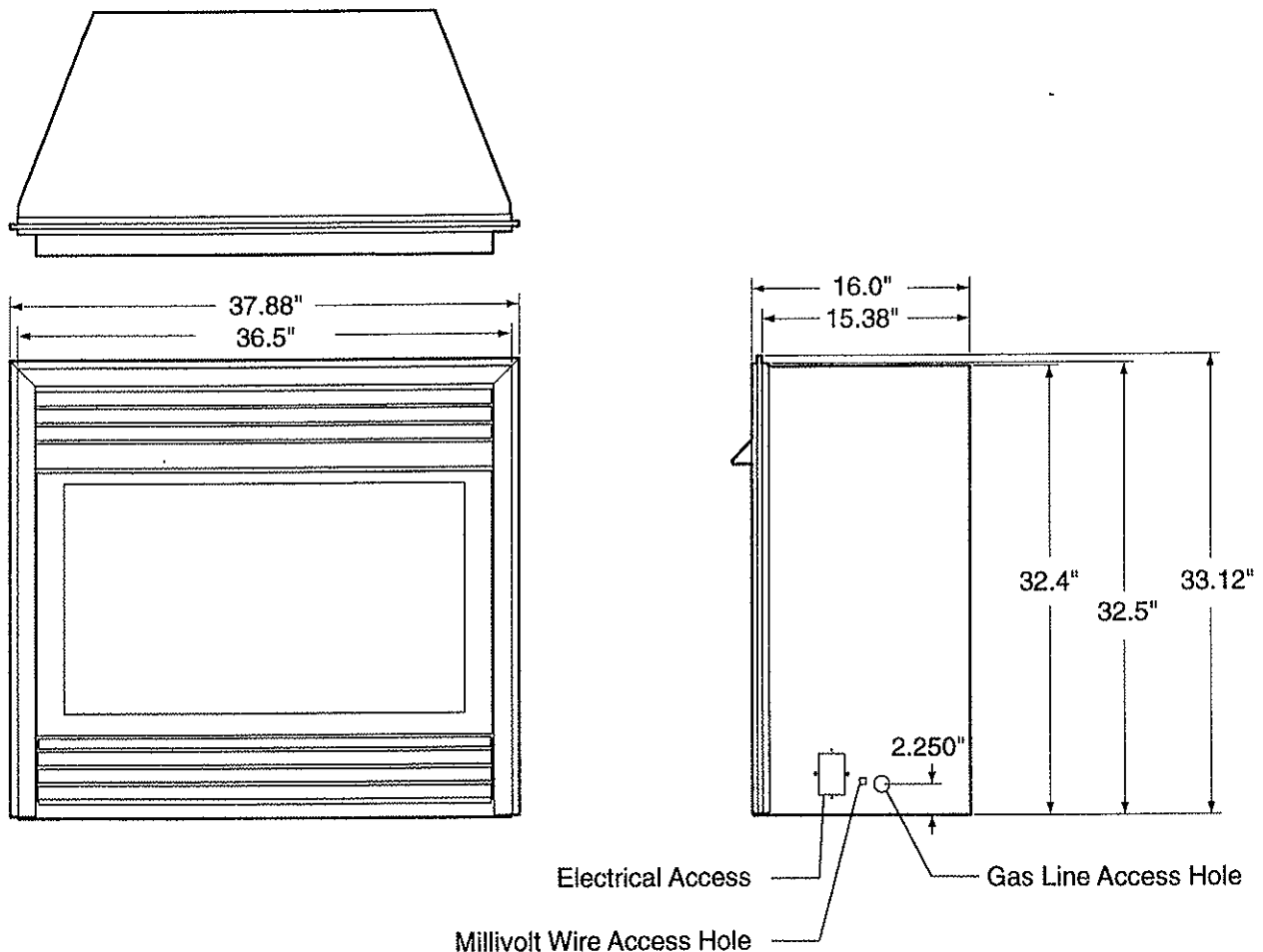
You must have the following items available before proceeding with installation:

- External regulator (for propane / L.P.G. only)
- Piping which complies with local codes
- Pipe sealant approved for use with propane / L.P.G. (Resistant to sulfur compounds)
- Manual shutoff valve
- Sediment trap
- Tee joint
- Pipe wrench
- Phillips head screwdriver
- Optional nailing flange kit for in-wall installation.

## GENERAL INSTALLATION INFORMATION

In planning the installation for the fireplace it is necessary to determine where the unit is to be installed and whether optional accessories are desired. Gas supply piping should also be planned. The following steps represent the normal sequence of installation. Each installation is unique, however, and might require a different sequence.

1. Position fireplace in desired location. Refer to the "Location of Fireplace" and "Clearances / Height Requirements", and "Firebox Framing" sections found in this manual. *Note: Be sure all packing material has been removed from underside the unit.*
2. Install canopy, access door handles, and logs per instructions found in this manual. The canopy **MUST** be installed for safe operation of the unit.
3. Field wire main power supply to units with fan kit. Refer to the "Electrical Section" found in this manual. (Electrical connections should only be performed by an experienced, licensed certified tradesman).
4. Install optional ON/OFF kit on units with millivolt control. Refer to installation instructions included with the kit and also refer to the "Electrical Wiring" section found in this manual.
5. Plumb gas line. refer to the "Connecting the Gas" section found in this manual. (Gas connections should only be performed by an experienced, licensed / certified tradesman).
6. Complete finish wall material and/or surround.



**Figure 2. Firebox Dimensions**



## GENERAL INSTALLATION INFORMATION

---

### CODES

Adhere to all local codes or, in their absence, the latest edition of THE NATIONAL FUEL GAS CODE ANSI Z223.1 or NFPA54 which can be obtained from:

**American National Standards Institute, Inc.**  
1430 Broadway  
New York, NY 10018

or

**National Fire Protection Association, Inc.**  
Batterymarch Park  
Quincy, MA 02269

### WARNING

**Do not install the heater:**

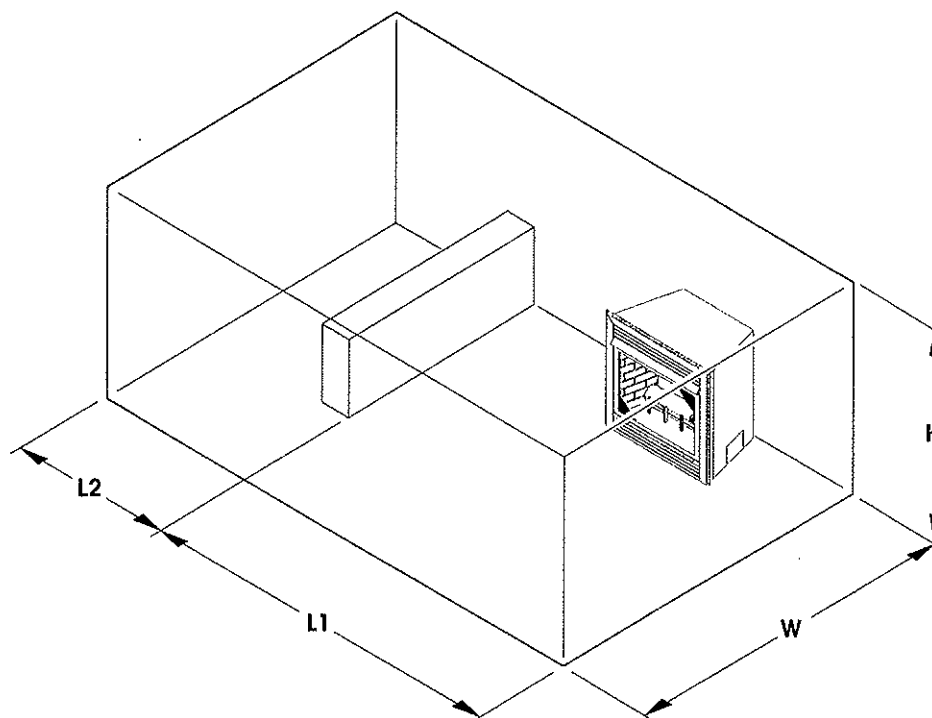
- Where curtains, furniture, clothing, or other flammable objects are less than 42" from the front of the heater.
- In high traffic areas.
- In windy or drafty areas.

### ADEQUATE COMBUSTION AND VENTILATION AIR

This heater shall not be installed in a confined space unless provisions are provided for adequate combustion and ventilation air.

The National Fuel Gas Code defines a confined space as a space whose volume is less than 50 cubic feet per 1,000 BTU per hour (4.8 m<sup>3</sup> per kw) of the aggregate input rating of all appliances installed in that space and an unconfined space is defined as a space whose volume is not less than 50 cubic feet per 1,000 BTU per hour (4.8 m<sup>3</sup> per kw) of the aggregate input rating of all appliances installed in that space. Rooms communicating directly with the space in which the appliances are installed, through openings not furnished with doors, are considered a part of the unconfined space.

## GENERAL INSTALLATION INFORMATION



The following formula can be used to determine the maximum heater rating per the definition of unconfined space:

$$\text{BTU/HR} = \frac{(L1 + L2) \text{ Ft} \times (W) \text{ Ft} \times (H) \text{ Ft} \times 1000}{50}$$

Consider two connecting rooms with an open area between, with the following dimensions:  
L1 = 15 1/2 Ft., L2 = 12 Ft., W = 12 Ft., H = 8 Ft.

$$\begin{aligned} \text{BTU/HR} &= \frac{(15 \frac{1}{2} + 12) \times (12) \times (8) \times 1000}{50} \\ &= 52800 \text{ BTU/HR} \end{aligned}$$

If there were a door between the two rooms the calculation would be based only on the room with the heater.

$$\begin{aligned} \text{BTU/HR} &= \frac{(15 \frac{1}{2}) \times (12) \times (8) \times 1000}{50} \\ &= 29760 \text{ BTU/HR} \end{aligned}$$

### WARNING

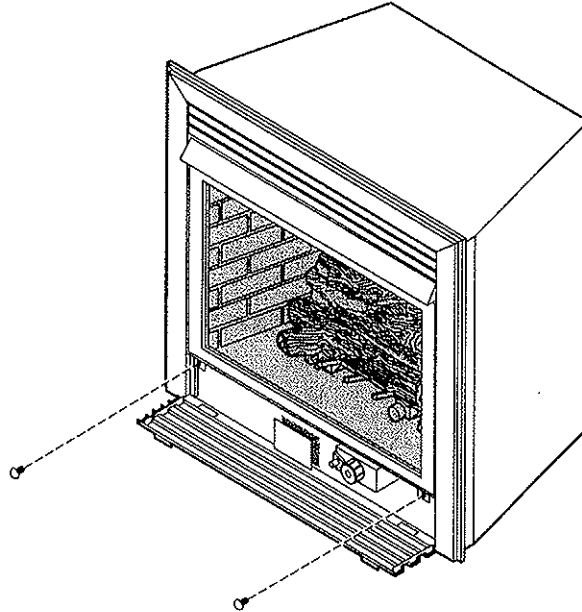
If the area in which the heater may be operated is smaller than that defined as an unconfined space, provide adequate combustion and ventilation air by one of the methods described in the National Fuel Gas Code, ANSI Z223.1, 1992, Section 5.3.

## GENERAL INSTALLATION INFORMATION

---

### REMOVING SCREEN

Removing fireplace screen by removing two bottom screws on either side and pulling frame clear and down. *See Figure 3*

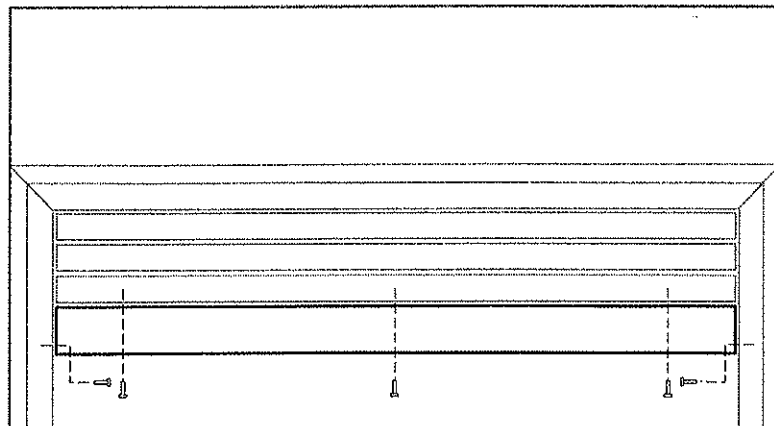


*Figure 3. Removing Fireplace Screen*

*NOTE: Screen must be removed to access log box and to install canopy.*

### INSTALLING CANOPY

1. Open the door and remove the two (2) screws that mount the screen frame on the sides frame.
2. Align the black canopy with the holes in the top frame assembly. *Refer to Figure 4*
3. Install the three (3) screws which attach the canopy to the top frame assembly. Install the two (2) screws which attach to the side frame. *Refer to Figure 4*
4. Tighten all screws, make sure the canopy is level and secure. Install the two (2) screws that mount the screen frame.



*Figure 4. Canopy Installation*

## GENERAL INSTALLATION INFORMATION

### ACCESS DOOR HANDLE INSTALLATION

1. Align the door handles with the holes in the door frame. *Refer to Figure 5.*
2. Install the two (2) screws for each door handle which attach the door handle to the door frame assembly. *Refer to Figure 5.*
3. Tighten all screws. Make sure the door handle is level and secure.

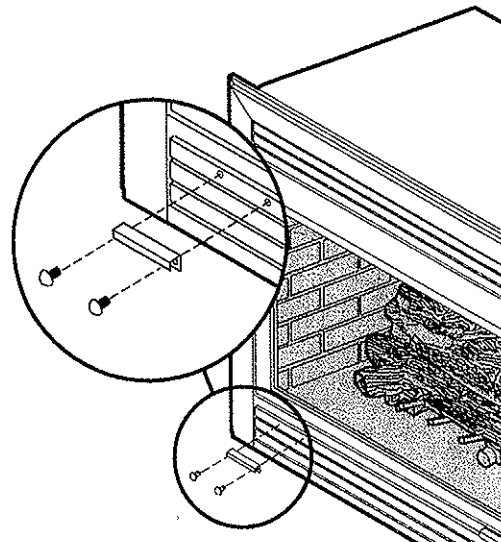


Figure 5

### SECURING HEATER TO FLOOR OR HEARTH

*Note: Clearance requirements as detailed in "Clearances/Height Requirements" section, of this manual, must be met before securing the heater in place.*

To prevent movement, the heater must be secured to the floor or hearth.

- Open the control access door and remove the screen.
- Remove carton containing the four-log set.
- To remove the grate and base assembly, take out two screws as shown in *Figure 6*.
- Lift grate and base assembly out of the firebox. **(CAUTION: Lift grate and base assembly using the grate only).**
- Secure the firebox with two anchoring screws (3/16" x 1 1/4" length) supplied with the fire-place system *Refer to Figure 7.*

*Note: If the unit is mounted on carpeting, tile or combustible material without the hearth, a metal or wooden base covering the entire width and depth of the base must be installed.*

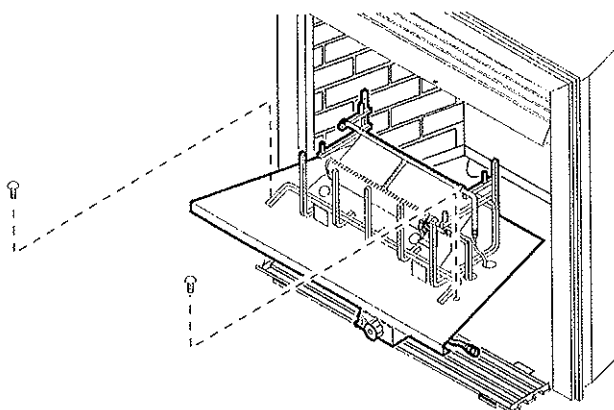


Figure 6

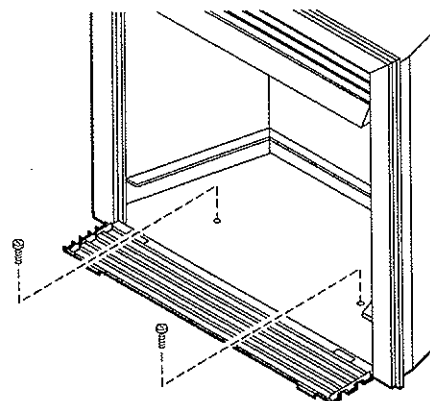


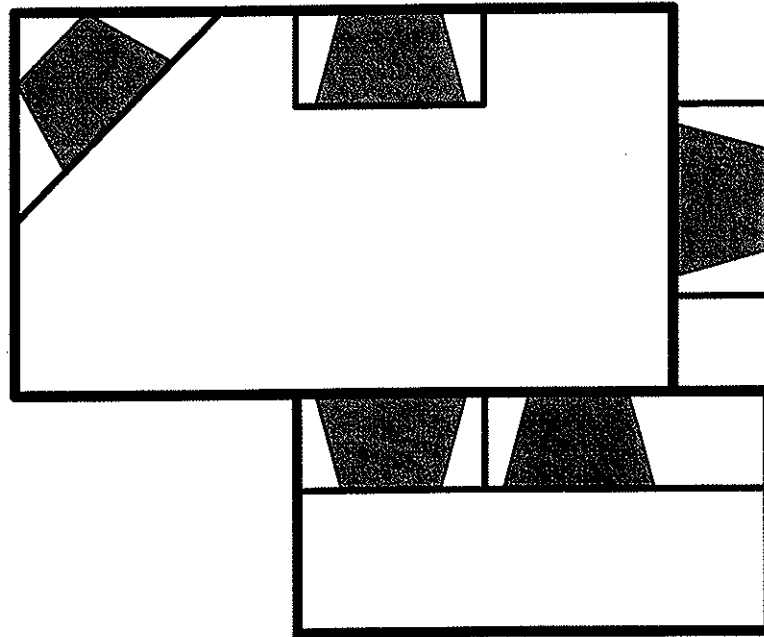
Figure 7. Securing Heater to Floor or Hearth

## LOCATION OF FIREPLACE

---

Carefully select the best location for installation of your unvented fireplace. The following factors should be taken into consideration.

- Clearance to side wall, ceiling, woodwork and window. Refer to **Clearances / Height Requirements** section on page 12. Minimum clearances to combustibles **must be maintained**.
- Location must not be affected by drafts caused by kitchen exhaust fans, ceiling fans, return air registers for forced air furnaces / air conditioners, windows or doors.
- Installation must provide adequate ventilation and combustion air.
- **DO NOT INSTALL THIS FIREPLACE IN A BEDROOM OR BATHROOM.**
- Location should be out of high traffic areas and away from furniture and draperies due to heat from firebox.
- Never obstruct the front opening of the unvented fireplace or restrict the flow of combustion and ventilation air.
- Minimize modifications to existing construction. *Refer to Figure 8* below for location suggestions.
- Do not install in the vicinity where gasoline or other flammable liquids may be stored. The unvented firebox must be kept clear and free from the combustible materials.



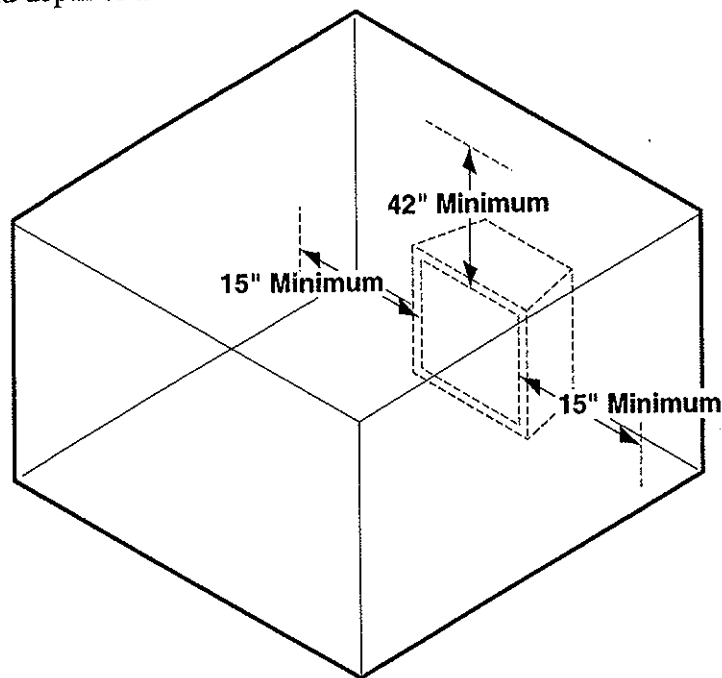
*Figure 8*

## CLEARANCES / HEIGHT REQUIREMENTS

Ensure that minimum clearances shown in *Figure 9 through 10* are maintained. Left and right clearances are determined when facing the front of the firebox.

Follow these instructions carefully to ensure safe installation. Failure to follow these requirements may create a fire hazard.

1. **Sidewall clearances:** the clearance from the inside of the appliance to any combustible wall should not be less than 15" (*refer to Figure 9*).
2. **Ceiling clearance:** The ceiling must be at least 42" from the top of the firebox opening (*refer to Figure 9*).
3. **Back wall clearance:** The appliance may be placed against a combustible back wall.
4. **Floor clearance:** The fireplace may not be installed onto any combustible flooring material, such as carpeting, vinyl or tile without the hearth or a 1" metal or wooden base covering the entire width and depth of the base.



*Figure 9*

### WARNING

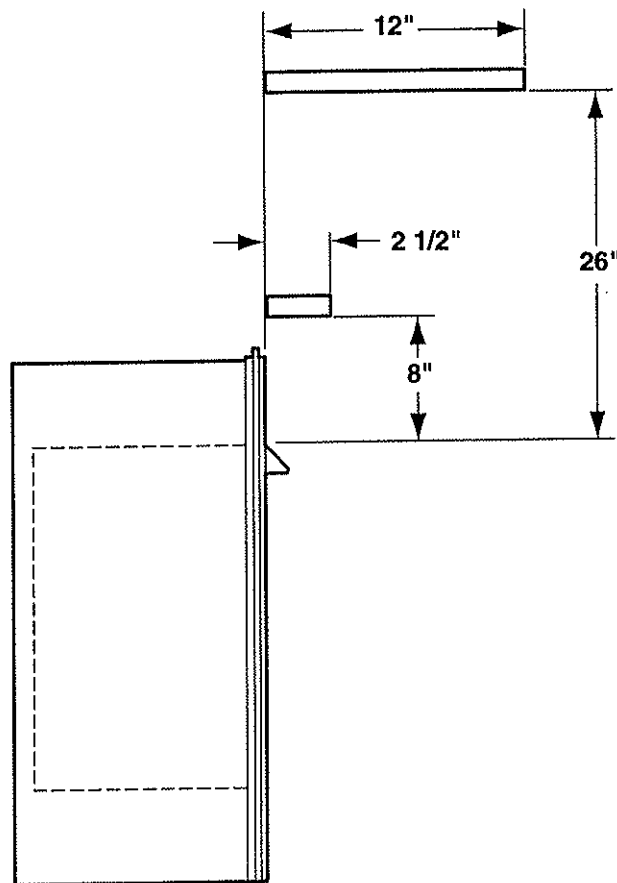
The dimensions shown in Figures 9-10 are minimum clearances to maintain in installing this heater. Left and right clearances are determined when facing the front of the heater.

Follow these instructions carefully to ensure safe installation. Failure to follow instructions exactly can create a fire hazard.

## CLEARANCES / HEIGHT REQUIREMENTS

---

5. **Mantel clearances:** The canopy supplied with the unit must be installed. If a combustible mantel is installed. It must meet the clearance requirements detailed in *Figure 10*.



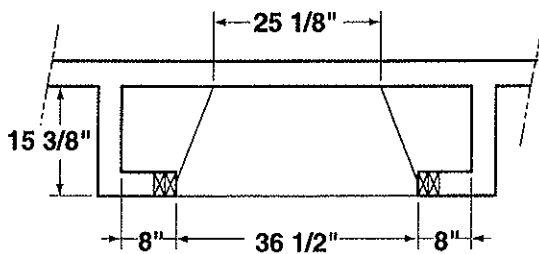
*Figure 10. Minimum Mantel Clearances*

## FIREPLACE FRAMING

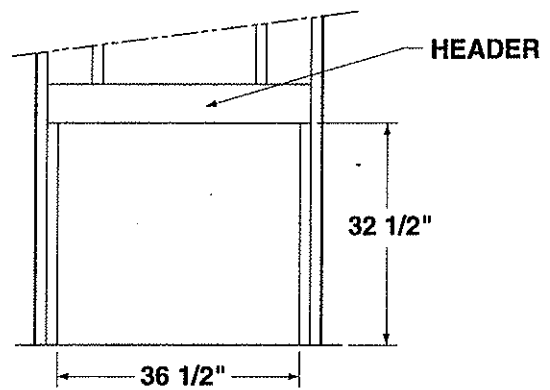
If unit is to be "built in", fireplace framing can be built before or after the appliance is set in place. **BE SURE THAT ALL PACKING MATERIAL HAS BEEN REMOVED FROM THE UNDERSIDE OF THE UNIT PRIOR TO SETTING THE FIREBOX IN PLACE.** Construct fireplace framing following *Figures 11 through 14*. Refer to *Figure 2 on page 6* for fireplace dimensions. The framing headers may rest directly on top of the firebox.

The fireplace may be installed directly on a combustible floor or a raised platform of an appropriate height. Do not place fireplace on carpeting, vinyl, tile or other soft floor coverings. It may, however, be placed on flat wood, plywood, particle board or other hard surfaces. Be sure fireplace rests on a solid continuous floor or platform with appropriate framing for support and so that no cold air can enter from under the firebox.

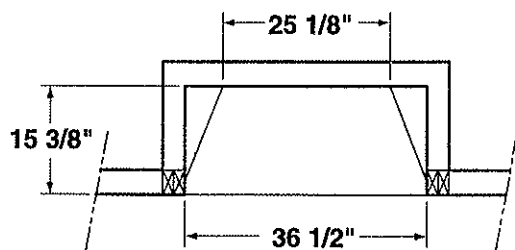
Anchor fireplace to the side framing members using optional nailing flange kit. Refer to installation instructions included with the kit.



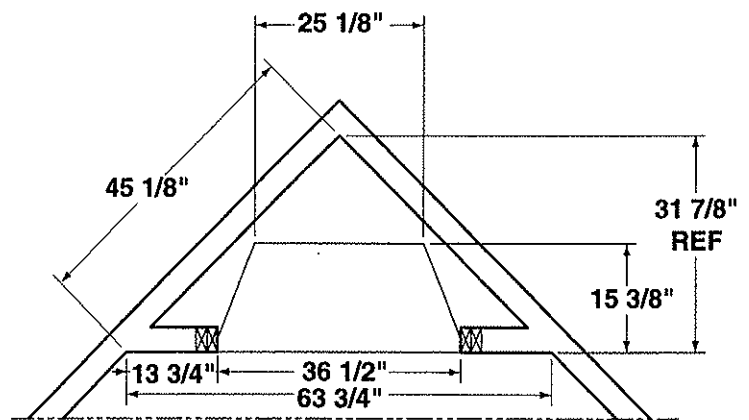
*Figure 11. Outer Wall Installation*



*Figure 12*



*Figure 13. Inner Wall Installation*



*Figure 14. Corner Installation*



## CONNECTING THE GAS

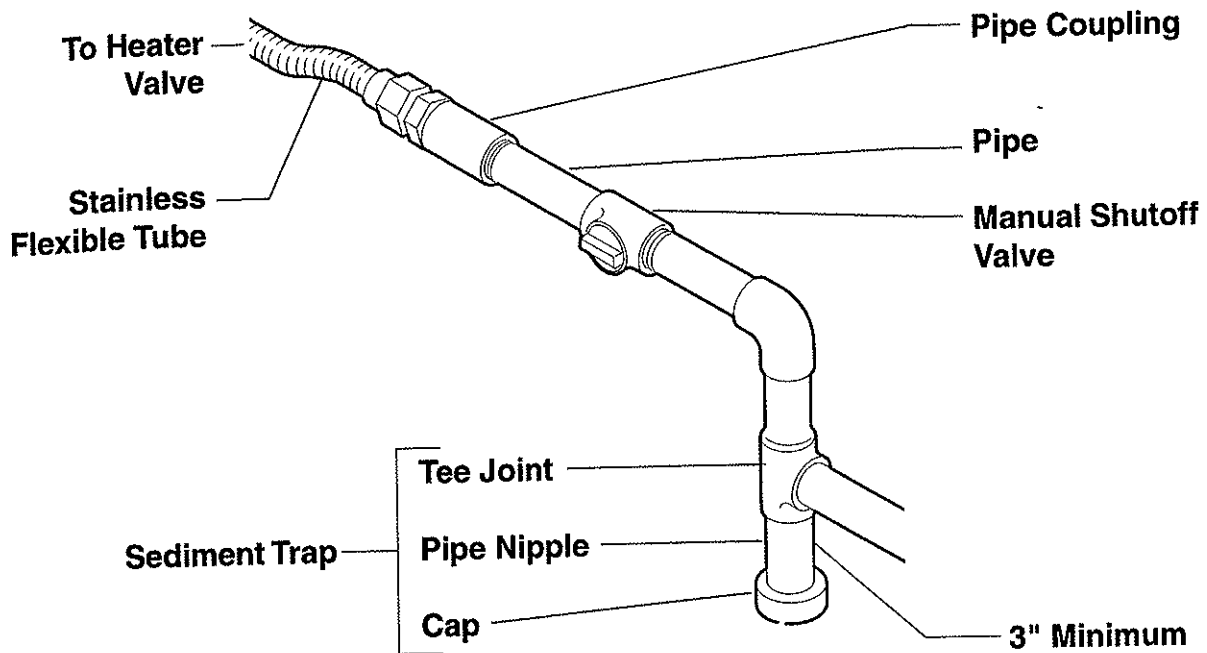
**NOTICE:** A qualified gas appliance installer must connect the heater to the gas supply. Consult all local codes.

### CAUTION

Use new black iron or steel pipe. Internally tinned copper or copper tubing can be used per National Fuel Code, section 2.6.3, providing gas meets hydrogen sulfide limits, and where permitted by local codes. Gas piping system must be sized to provide minimum inlet pressure (Listed on Data Plate) at the maximum flow rate (BTU/Hr). Undue pressure loss will occur if the pipe is too small.

A manual shutoff valve must be installed upstream of the appliance. Union tee and plugged 1/8" NPT pressure tapping point should be installed upstream of the appliance. Refer to *Figure 15*.

A sediment trap should be installed upstream to prevent moisture and contaminants from passing through the pipe to appliance controls and burners. Failure to do so could prevent the appliance from operating reliably. Refer to *Figure 15*.



*Figure 15: Gas Connection*

**IMPORTANT:** Loosen the pipe adapter on the flex tube before installing to the system piping.

**Check gas type:** The gas supply must be the same as stated on the heater's rating plate. If the gas supply is different, **DO NOT INSTALL THE HEATER**. Contact your dealer for the correct model.

**Always use an external regulator for all propane/L.P.G. heaters only**, to reduce the supply tank pressure to a maximum of 13" w.c. This is in addition to the internal regulator in the heater valve.

## CHECKING GAS PRESSURE

### WARNING

Connecting directly to an unregulated propane/L.P.G. tank can cause an explosion.

Test all gas joints from the gas meter to the heater valve for leaks using a gas analyzer or soap and water solution after completing connection. **DO NOT USE AN OPEN FLAME.**

Check the gas pressure with the appliance burning and the control set to **HIGH**.

Open control access door at bottom front of unit to find valve and regulator referred to below.

### Manual Control (Figure 16)

The pressure regulator is preset and locked to discourage tampering. If the pressure is not as specified, replace the regulator with the correct part from the parts list in this manual.

Remove 1/8" NPT plug, located on side of regulator body. Install fitting and tubing to pressure gauge. After taking pressure reading, re-install test plug. Check for gas leaks.

### Thermostat Control (Figure 16a)

Turn captured screw counter clockwise 2 or 3 turns and then place tubing to pressure gauge over test point (Use test point closest to control knob). After taking pressure reading, be sure and turn captured screw clockwise firmly to re-seal. Do not over torque. Check for gas leaks.

### Millivolt Control (Figure 16b)

The valve regulator controls the burner pressure which should be checked at the pressure test point. Turn captured screw counter clockwise 2 or 3 turns and then place tubing to pressure gauge over test point (Use test point "A" closest to control knob). After taking pressure reading, be sure and turn captured screw clockwise firmly to re-seal. Do not over torque. Check for gas leaks.

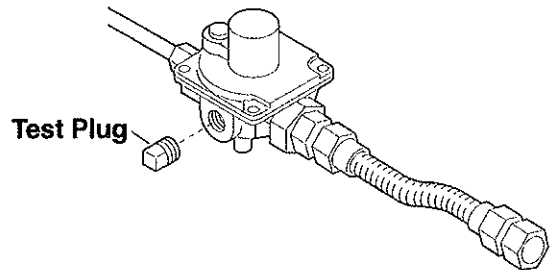


Figure 16: Pressure Test Point Location

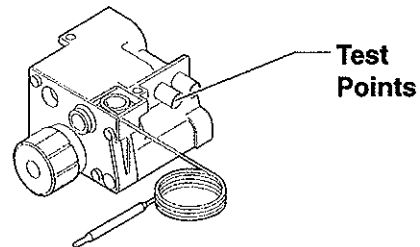


Figure 16a: Alternate Test Point Location for Thermostat Control Unit

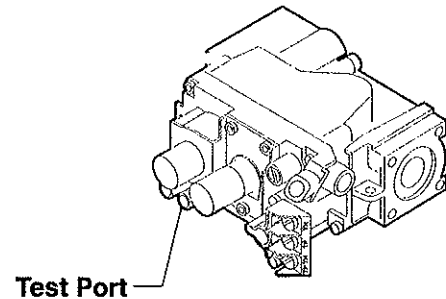


Figure 16b: Pressure Test Point Location

## ELECTRICAL WIRING (Millivolt)

**CAUTION**  
Label all wires prior to disconnection when servicing controls. Wiring errors can cause improper and dangerous operation. Verify proper operation after servicing.

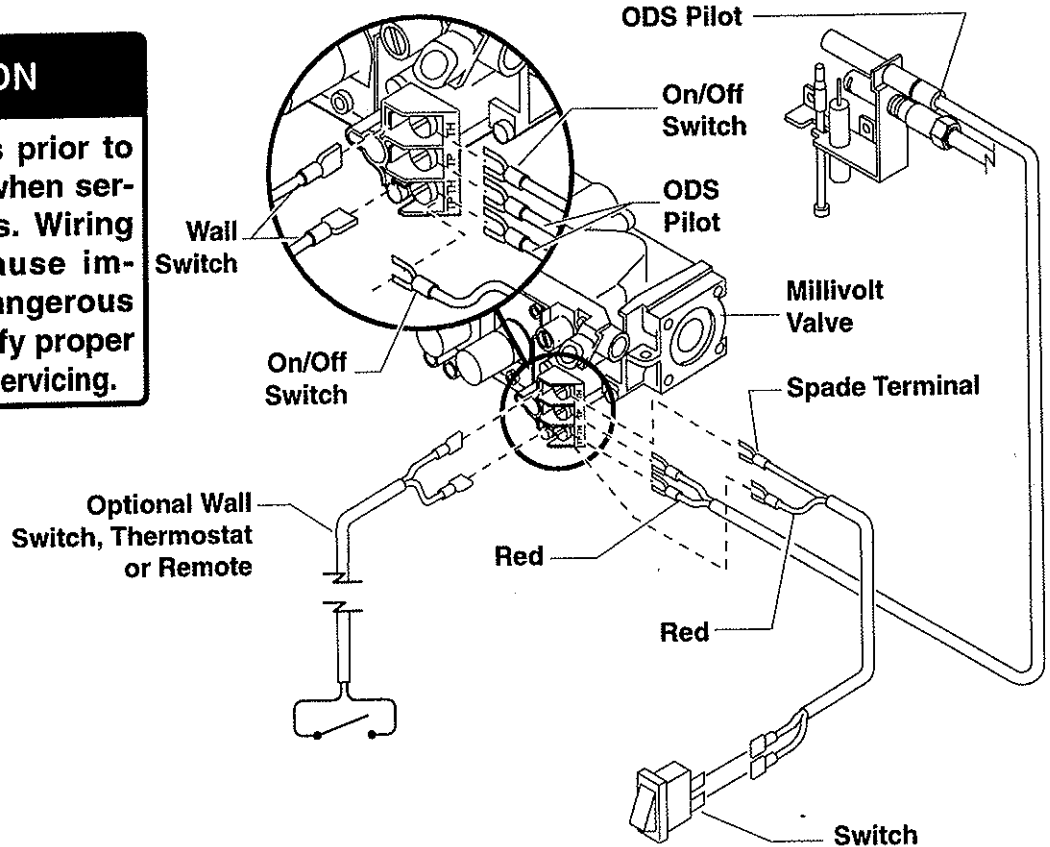


Figure 17: Wiring Diagram

The DZ36 series Milli-Volt (thermopile) is a self powered combination gas control, does not require 110vac to operate. Refer to **Figure 17** and installation instructions provided with optional wall switch, thermostat or remote control for wiring instructions. A maximum length of 20 feet of 18awg two conductor wire is to be used for wall switch or thermostat installations. Note thermostats and switches must be suitable for millivolt operation.

### Checking System Operation

The millivolt system and individual components may be checked with a millivolt meter having a 0-1000MV range. Conduct each check shown in chart below by connection meter test leads to terminals as indicated.

CHECK TEST	TO TEST	CONNECT METER LEADS TO TERMINALS	THERMOSTAT CONTACTS	METER READING SHOULD BE
A	COMPLETE SYSTEM	2 & 3	CLOSED	CLOSED
B	THERMOPILE OUTPUT	1 & 2	OPEN	OPEN

- A. Complete Millivolt System Check ("A" Reading - Thermostat contacts CLOSED - Control Knob "ON" - Main burner should be come ON)**
  - a. If the reading is more than 100 millivolts and the automatic valve still does not come on - replace the control.
  - b. If the closed circuit reading ("A" reading) is less than 100 millivolts, determine cause for low reading - proceed as follows:
- B. Thermopile Output Reading Check ("B" Reading - Thermostat contacts OPEN - Main burner OFF)**
  1. CP-2 system - 325 millivolts minimum. If the minimum millivolt reading is not obtainable, readjust pilot for maximum millivolt output. If millivolt reading is still below minimum specified, replace thermopile.

## ELECTRICAL WIRING (Fan)

### WARNING

This fireplace has a three-prong, grounded electrical plug. This plug helps protect you against electrical shock. Only connect plug to a properly grounded, three-prong receptacle. Do not cut or remove the grounded prong from this plug.

### WARNING

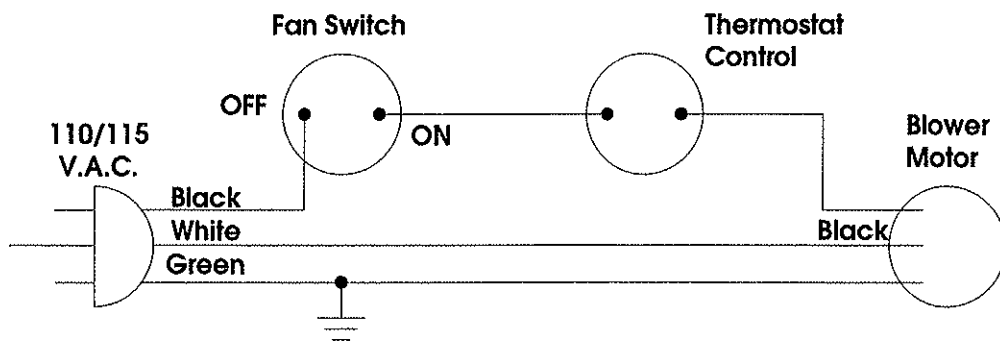
Never attempt to service heater while it is plugged in, operating, or hot. Burns and/or electrical shock could result.

### CAUTION

Electrical connections should only be performed by a qualified, licensed electrician. Main power supply must be turned off before connecting fans to main electrical power supply or performing service.

### IMPORTANT

Always check local building codes. The installation must comply with local regulations as well as the national electric codes.



If any of the original wire as supplied with the fireplace must be replaced, contact dealer for proper replacement wiring harness. (see parts list for part number). 120 volts, 60Hz, 1.2 amps.

- Step 1 - Remove the external junction box cover from the right side of the outside firebox wall, by removing two (2) screws.
- Step 2 - The receptacle should be wired into an electrical circuit wire with minimum 60°C wire in accordance with prevailing codes.
- Step 3 - Replace junction box cover. Route power leads through "romex" style connector that is supplied with junction box cover.

## LOG PLACEMENT

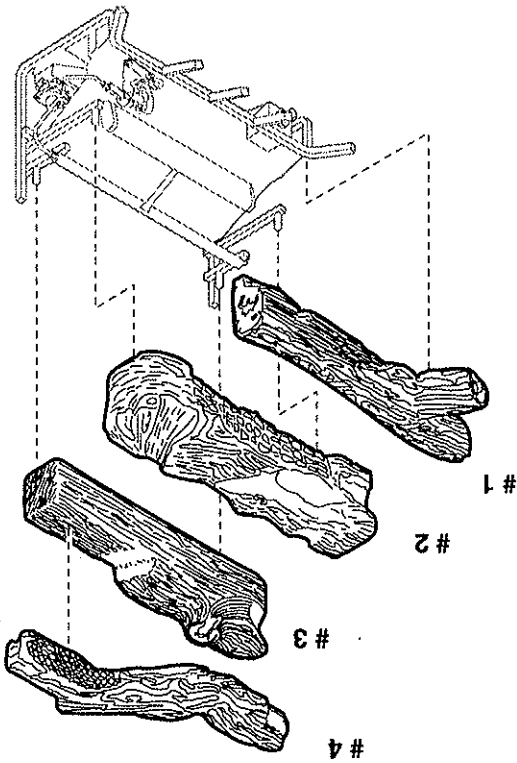
**Before you begin:** This unit is supplied with a set of four ceramic fiber logs. Do not handle these logs with your bare hands! Always wear gloves to prevent skin irritation from ceramic fibers. After handling logs, wash your hands gently with soap and water to remove any traces of fibers.

The positioning of the logs is critical to the safe and clean operation of this heater. Sooting and other problems may result if the logs are not properly and firmly positioned in the appliance. Never add additional logs or embellishments such as pine cones, vermiculite or rock wool to the heater.

### WARNING

#### *Proper installation sequence:*

1. Install the **rear log (#3)** on the top set of locating pins. Visually check to verify the log is securely placed on the pins, and in contact with the grate.
2. Install the **front log (#1)** on top of the log support brackets. Center the log left to right to properly engage the locator lugs.
3. Install the **center log (#2)** behind the front log on the remaining set of locating pins. Visually check to verify the log is securely placed on the pins.
4. Install the **cross log (#4)** by engaging the holes in the cross log onto pins on the center and/or rear log.



*Figure 18: Proper Sequence of Log Installation*

#### *Placing the decorative volcanic rock:*

**DO NOT** sprinkle volcanic rock on the logs or around the pilot or the main burner. This may cause sooting. Only place volcanic rock on the floor of the fireplace. During initial operation of the new heater, burning logs will give off a paper burning smell and orange flames will be present. Simply open the windows for a few hours to vent the odor.

### CAUTION

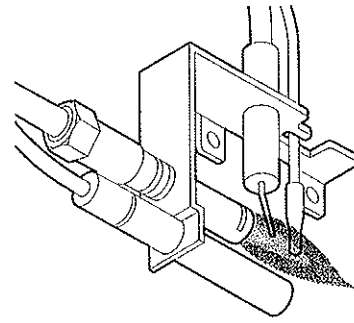
Flames from the pilot, front and rear burner should be visually checked as soon as the heater is installed. In addition, periodically check the flames visually during operation.

**Checking the pilot flame:**

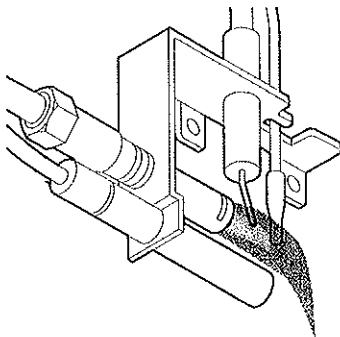
The pilot flame must always be present when the heater is in operation. It should just touch the top of the thermocouple tip. Refer to *Figure 19 and 21*.

If the pilot flame does not touch the thermocouple, then the main burner cannot function reliably. Refer to *Figure 20 and 22* for incorrect shape of pilot flame.

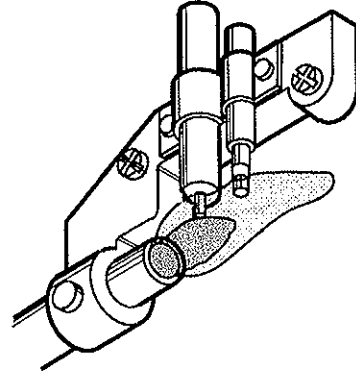
**Milivolt Control**



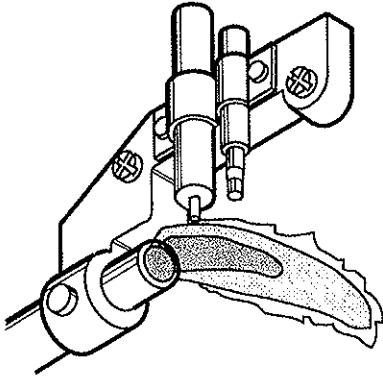
*Figure 19: Correct Appearance of Pilot Flame*     *Figure 20: Incorrect Appearance of Pilot Flame*



**Manual and Thermostat Control**

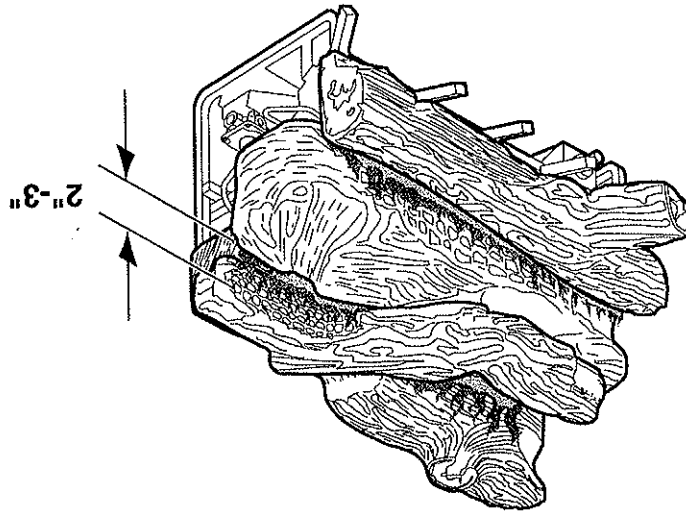


*Figure 21: Correct Appearance of Pilot Flame*     *Figure 22: Incorrect Appearance of Pilot Flame*



In normal operation at full rate after 15 minutes, the following flame appearances should be observed:

The rear flames above and behind log #2, and in front of log #3, may be yellow. The flames should extend approximately 2" - 3" above log #2. Refer to *Figure 23*.



*Figure 23: Correct Appearance of Rear Flames*

The front burner flames are **blue**, becoming yellowish as they hit the bumps on the face of the front log. The face of the front log will glow a bright reddish orange when the heater is in operation.

### **OPERATING INSTRUCTIONS**

**Avoid any drafts that alter burner flame patterns.** Do not allow fans to blow directly into the fireplace. Do not place a blower inside the burn area of the firebox. Ceiling fans may create drafts that alter flame patterns. Sooting and improper burning will result.

During manufacturing, fabricating and shipping, various components of this appliance are treated with certain oils, films or bonding agents. These chemicals are not harmful, but may produce annoying smoke and smells as they are burned off during the initial operation of the appliance, possibly causing headaches or eye or lung irritation. *This is a normal and temporary occurrence.*

The initial break-in operation should last 2-3 hours with the burner at the highest setting. Provide maximum ventilation by opening windows or doors to allow odors to dissipate. Any odors remaining after this initial break-in will be slight and will disappear with continued use.

**FOR YOUR SAFETY READ BEFORE LIGHTING**

**If you do not follow these instruction exactly, a fire or explosion may result causing property damage, personal injury or loss of life.**

**WARNING**

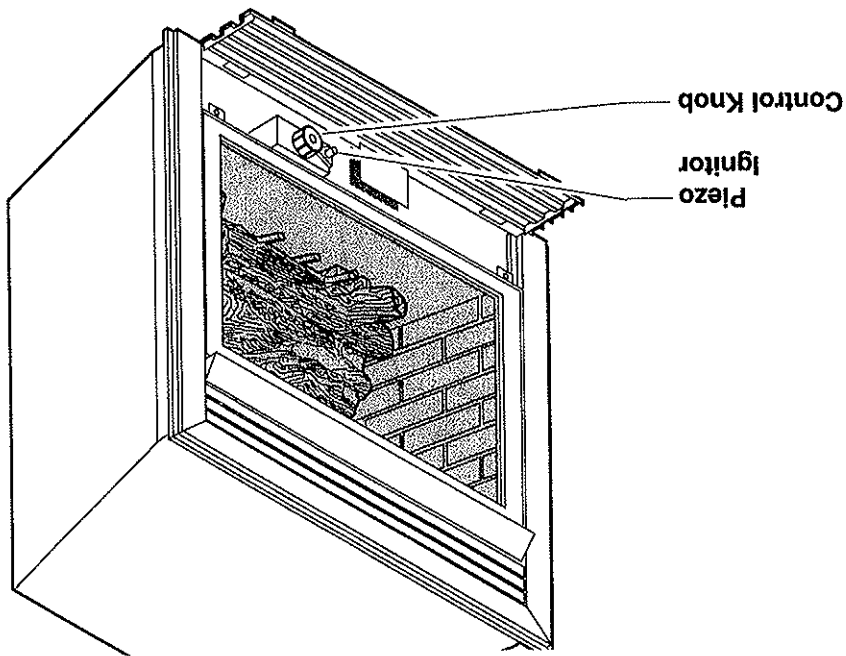
- A. This heater is equipped with an ignition device (piezo) which automatically lights the pilot.
- B. BEFORE LIGHTING smell all around the heater area for gas. Be sure to smell next to the floor because some propane/LPG is heavier than air and will settle on the floor.

**WHAT TO DO IF YOU SMELL GAS:**

- Do not attempt to light any appliance or heater.
- Do not touch any electric switch; do not use any telephone in your building.
- Immediately call your gas supplier from a neighbor's phone. Follow the gas supplier's instructions.
- If you cannot reach your gas supplier, call the fire department.

C. Use only your hand to push in, or turn the gas control knob. Never use tools. If the knob will not push or turn by hand, don't try to repair or adjust the valve or the mechanism. Call a qualified service technician. Force or attempted repair may result in a fire or explosion.

D. Do not use this heater if any part of it has been underwater. Immediately call a qualified service technician to inspect the appliance and to replace any part of the control system or gas control that has been submerged.



*Figure 24: Location of Piezo Ignitor & Control Knob*



MANUAL CONTROL LIGHTING INSTRUCTIONS

1. STOP! Read the safety information.

2. Make sure the manual shutoff valve is fully open.

3. This heater is equipped with an ignition device (piezo) which automatically lights the pilot.

4. Refer to *Figure 24* for the location of the piezo ignitor and control knob. Push in gas control knob slightly and turn control knob clockwise to the OFF position.

NOTE: Knob cannot be turned to OFF unless knob is pushed in slightly. Do not force.

5. Wait 5 minutes to clear out any gas. Then smell for gas, including near the floor. If you smell gas STOP! Follow the instructions under "WHAT TO DO IF YOU SMELL GAS". If you do not smell gas, go to the next step.

6. From OFF position, push in gas control knob slightly and turn counterclockwise to the

IGN position. See *Figure 25*. Push in and hold control knob for 5 seconds.

NOTE: If you are running the heater for the first time, it will be necessary to press in the control knob for 30 seconds to allow air to bleed out of the gas piping.

7. With the control knob pushed in, push and release the piezo ignitor button to light the ODS pilot.

The pilot is located on the right side of the heater, behind the front log and in front of the main burner. If piezo ignitor does not light the pilot, refer to "Match Lighting Instructions".

8. Hold the control knob in for an additional 10 seconds to prevent the ODS pilot from shutting off the gas while the thermocouple is warming up.

9. Release the control knob.

\* If the knob does not pop out when released, stop and immediately call your service technician or gas supplier.

\* If the ODS pilot will not stay lit after several tries, push and turn the gas control knob clockwise to OFF and wait 15 seconds. Repeat steps 6 through 9.

10. Push in control knob and turn to desired setting (LOW or HIGH). The control knob must be set at either the low or high position, and the control knob will pop out when positioned correctly. Do not set the control knob at a position between LOW and HIGH. Refer to *Figure 26*.

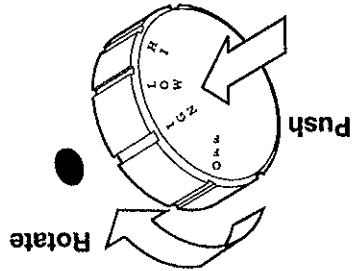


Figure 25: IGN Position

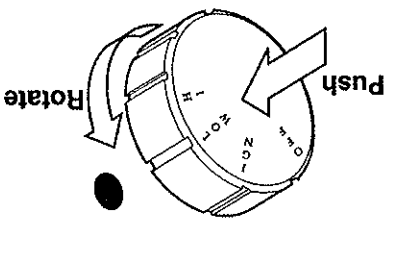


Figure 26: LOW/HIGH Position

WARNING

Wait 30 seconds before readjusting the heater when the control knob has been turned down to a lower setting.

TO TURN OFF GAS TO HEATER

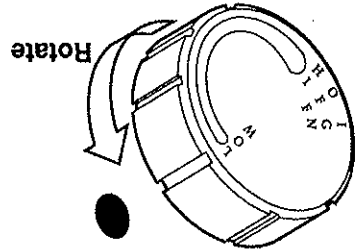
1. Turn control knob clockwise to OFF position to completely shut off the heater.
2. If applicable: Turn off all electric power to the heater.

1. STOP! Read the safety information .
2. Make sure the manual shutoff valve is fully open.
3. This heater is equipped with an ignition device (piezo) which automatically lights the pilot.
4. Refer to *Figure 24* for the location of the piezo ignitor and control knob. Turn control knob clockwise to the OFF position.
5. Wait 5 minutes to clear out any gas. Then smell for gas, including near the floor. If you smell gas, STOP! Follow safety instructions under "WHAT TO DO IF YOU SMELL GAS". If you do not smell gas, go to the next step.
6. Turn the gas control knob counterclockwise to the IGN position. See *Figure 27*. Push in and hold control knob for 5 seconds.
7. With the control knob pushed in and held, push and release the piezo ignitor button to light the ODS pilot. The pilot is located on the right side of the heater, behind the front log and in front of the main burner. If piezo ignitor does not light the pilot, refer to "*Match Lighting Instructions*".
8. Hold the control knob in for an additional 10 seconds to prevent the ODS pilot from shutting off the gas while the thermocouple is warming up.
9. Release the control knob.

- If the knob does not pop out when released, stop and immediately call your service technician or gas supplier.
- If the ODS pilot will not stay lit after several tries, push and turn the control knob clockwise to OFF. Release and wait 15 seconds. Repeat steps 6 through 9.

10. Turn control knob to any position between LOW and HIGH. The knob position controls the thermostat temperature. Refer to *Figure 27*.
11. The heater is now in proper operation. The following procedure should be used to achieve thermostat control of the desired room temperature.

- a. Operate unit at higher setting until desired room temperature is achieved.
- b. At the desired temperature, slowly turn the knob clockwise and stop rotating when flame disappears.
- c. Thermostat is now set to maintain the current room temperature.
- d. As the room temperature decreases, the thermostat valve will open to ignite the front and rear burner.
- e. When the temperature reaches its set point (knob position), the thermostat valve will again shut off the front and rear burner.
- f. This is the normal cycle of the heater.



*Figure 27: Rotation of Control Knob*

**Wait 30 seconds before readjusting the heater when the control knob has been turned down to a lower setting.**

**WARNING**

**TO TURN OFF GAS TO HEATER**

1. Turn control knob clockwise to OFF position to completely shut off the heater.
2. If applicable: Turn off all electric power to the heater.

**MILLI-VOLT CONTROL LIGHTING INSTRUCTIONS**

1. STOP! Read the safety information label.
2. Make sure the manual shutoff valve is fully open.
3. This gas log set is equipped with an ignition device (piezo) which automatically lights the pilot. If piezo ignitor does not light the pilot, refer to instructions for "Match Lighting"

4. Turn gas control knob clockwise to the "OFF" position, set the thermostat to the lowest setting and turn ON/OFF switch to OFF position.

5. Wait (5) minutes to clear out any gas. Then smell for gas, including near the floor. If you smell gas, STOP! Follow "B" in the safety information label. If you don't smell gas, go to next step.

6. From "OFF" position, turn the gas control knob counterclockwise to "IGN" position.

7. With the control knob pushed in, push in and release the piezo ignitor button to light the pilot.

8. Continue pushing the control knob in for a further 60 seconds to prevent the flame detector from shutting off the gas while the probe is warming up. Release the control knob.

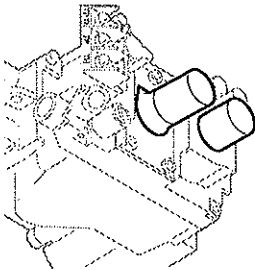
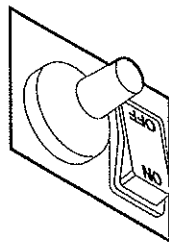
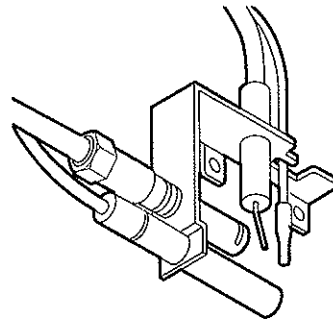
9. Turn gas control knob counterclockwise to the "ON" position.

10. After the pilot has been lit for one minute, the burners can be turned on. Turn the ON/OFF switch to "ON" position or adjust thermostat to desired setting.

11. If the gas logs will not operate, follow the instructions "To Turn Off Gas To Heater"; and call your service technician or gas supplier.

**WARNING**

**Wait 30 seconds before readjusting the heater when the control knob has been turned down to a lower setting.**



**TO TURN OFF GAS TO HEATER**

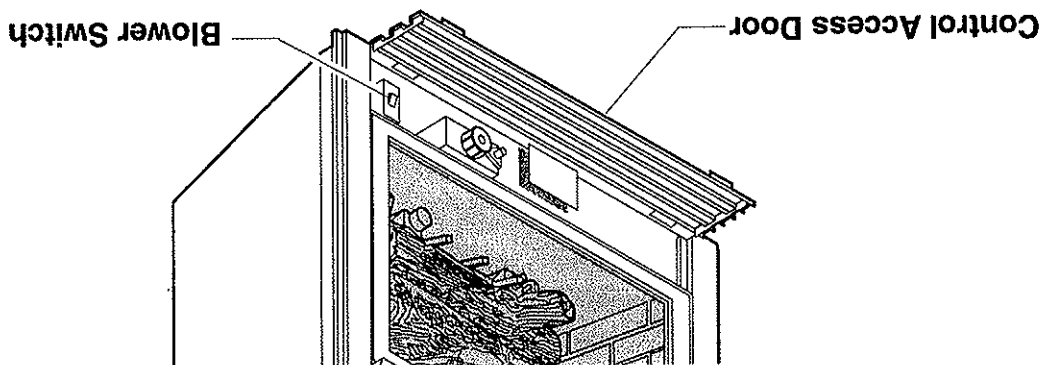
1. Turn control knob clockwise to OFF position to completely shut off the heater.
2. If applicable: Turn ON/OFF switch to OFF position and/or set thermostat (if present) to lowest setting.
3. If applicable: Turn off all electric power to the heater.

## OPERATING INSTRUCTIONS

### MATCH LIGHTING INSTRUCTIONS

1. Remove any items necessary for easy access to the pilot (for example: logs, screens, etc.).
2. Follow appropriate lighting instructions found previously. Instead of pushing and releasing the piezo button, light a match and hold the flame to the end of the pilot and ignite the pilot.
3. After control knob has been released and pilot stays lit, re-install any items that were removed for pilot access.
4. Call a qualified service technician for repair or replacement of the piezo ignitor.

### BLOWER OPERATION



Locate the blower switch by opening control access door. Blower switch is located at lower right. The thermostatically controlled blower has two settings: OFF and ON (AUTO).

In the OFF position, the blower will not operate; however, the heater can be operated without the blower being ON. In the ON (AUTO) position, the blower will start when the thermostat senses a sufficient increase in firebox temperature.

*Note: Your gas logs and blower will not turn on and off at the same time. The gas logs may burn several minutes before blower turns on.*

Annual inspection and cleaning by your dealer or qualified service technician is recommended to prevent malfunction and/or sooting.

<b>WARNING</b>	Turn off heater and allow to cool before cleaning. Disconnect electrical power before cleaning or servicing.
----------------	--

Remove fireplace screen, retaining screws. Carefully lower screen from mounting lugs and set aside during cleaning. Refer to instruction manual for installation of screen. **DO NOT OPERATE THE UNIT WITH THE SCREEN REMOVED.**

Remove logs, handling carefully by holding gently at each end. Gloves are recommended to prevent skin irritation from ceramic fibers. If skin becomes irritated, wash gently with soap and water. Refer to manual for correct log placement.

**Periodic Cleaning - Refer to parts diagram for location of items discussed below.**

- Do not use cleaning fluid to clean logs or any part of heater.
- Logs - brush with soft bristle brush or vacuum with brush attachment.
- Vacuum loose particles and dust from the front and rear burner, control and grate weldment.
- Inspect and clean rear burner air intake holes. Remove lint or particles with vacuum or brush.
- Failure to keep air intake holes clean will result in sooting and poor combustion.
- External case should be dusted and wiped with a wet soapy cloth.

**Annual Cleaning/Inspection - Refer to parts diagram for location of items discussed below.**

- Inspect and clean rear burner air intake holes. Remove lint or particles with vacuum or brush.
- Failure to keep air intake holes clean will result in sooting and poor combustion.
- Inspect and clean all burner ports.
- Inspect ODS pilot for operation and accumulation of lint at air intake holes.
- Verify flame pattern and log placement for proper operation.
- Verify smooth and responsive ignition of main burner and rear burner.

**REPLACEMENT PARTS LIST**

Item	Description	Qty	DZS36
1	Assembly Screen	1	17D8005
2	Assembly Canopy	1	17D0155
3	Brass Louver - Top	3	17D0203
4	Brass Louver - Door	3	17D0206
5	Brass Surround Kit	1	17D8003
6	Manual-Home Owner	1	17D8022
7	Simulated Brick, Left or Right	2	17D0178
8	Simulated Brick, Center	1	17D0179

**OPTIONAL BLOWER COMPONENTS**

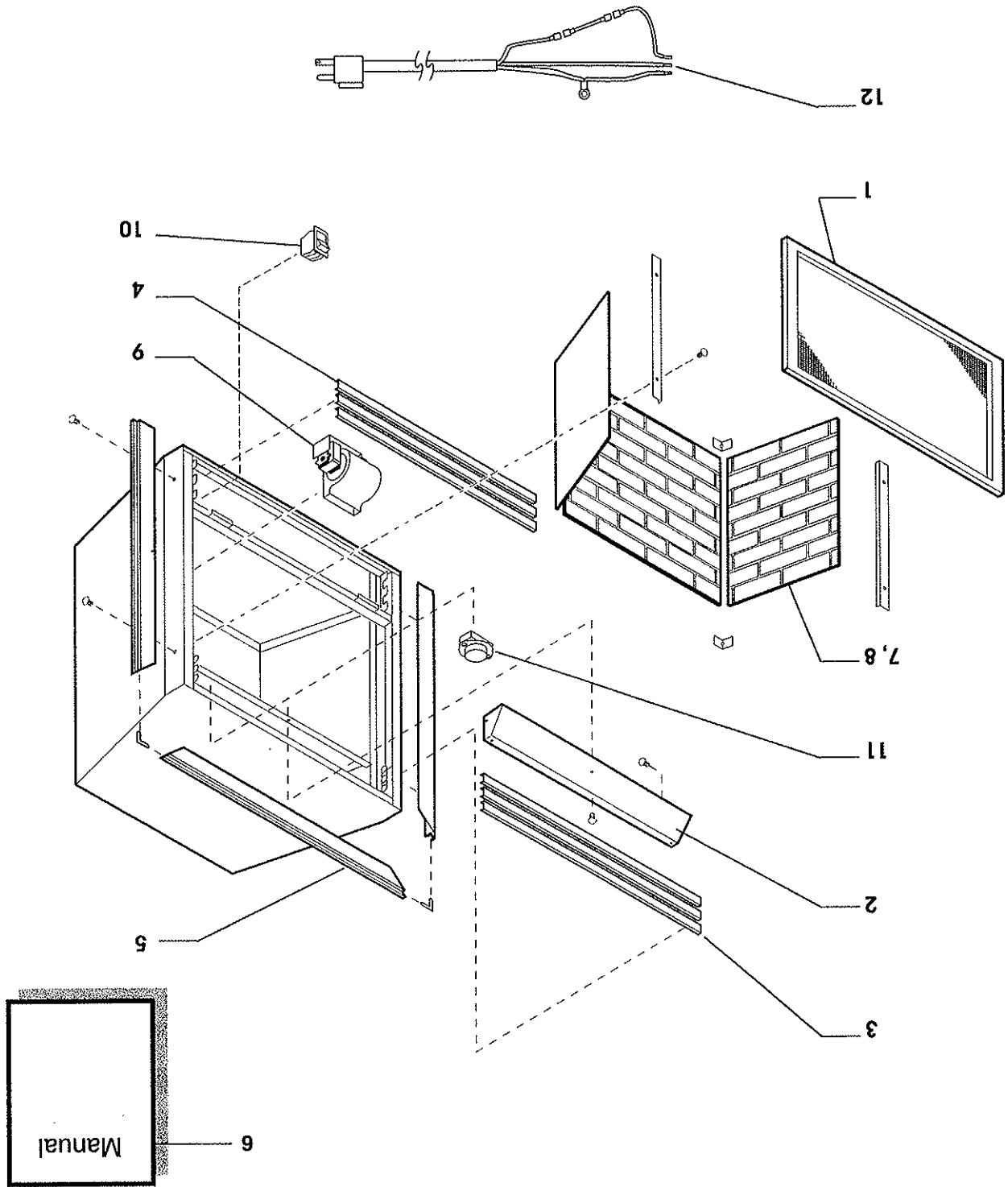
Item	Description	Qty	DZS36
9	Fan Blower	1	17D0900
10	ON/OFF Switch	1	20H0103
11	Blower Thermostat	1	17D0905
12	Wiring Harness	1	17D0234
13	Wire Assy (From Thermostat) <i>Not Shown</i>	2	17D0243
14	Switch Bracket <i>Not Shown</i>	1	17D0165

**ACCESSORIES (Millivolt Only)**

Description	MVWS	MVWTS	MVHHR
Switch, Wall Kit			
Thermostat, Wall Kit			
Remote, Hand Held			

Failure to position the parts in accordance with these diagrams or failure to use only parts specifically approved with this heater may result in property damage or personal injury.

**WARNING**

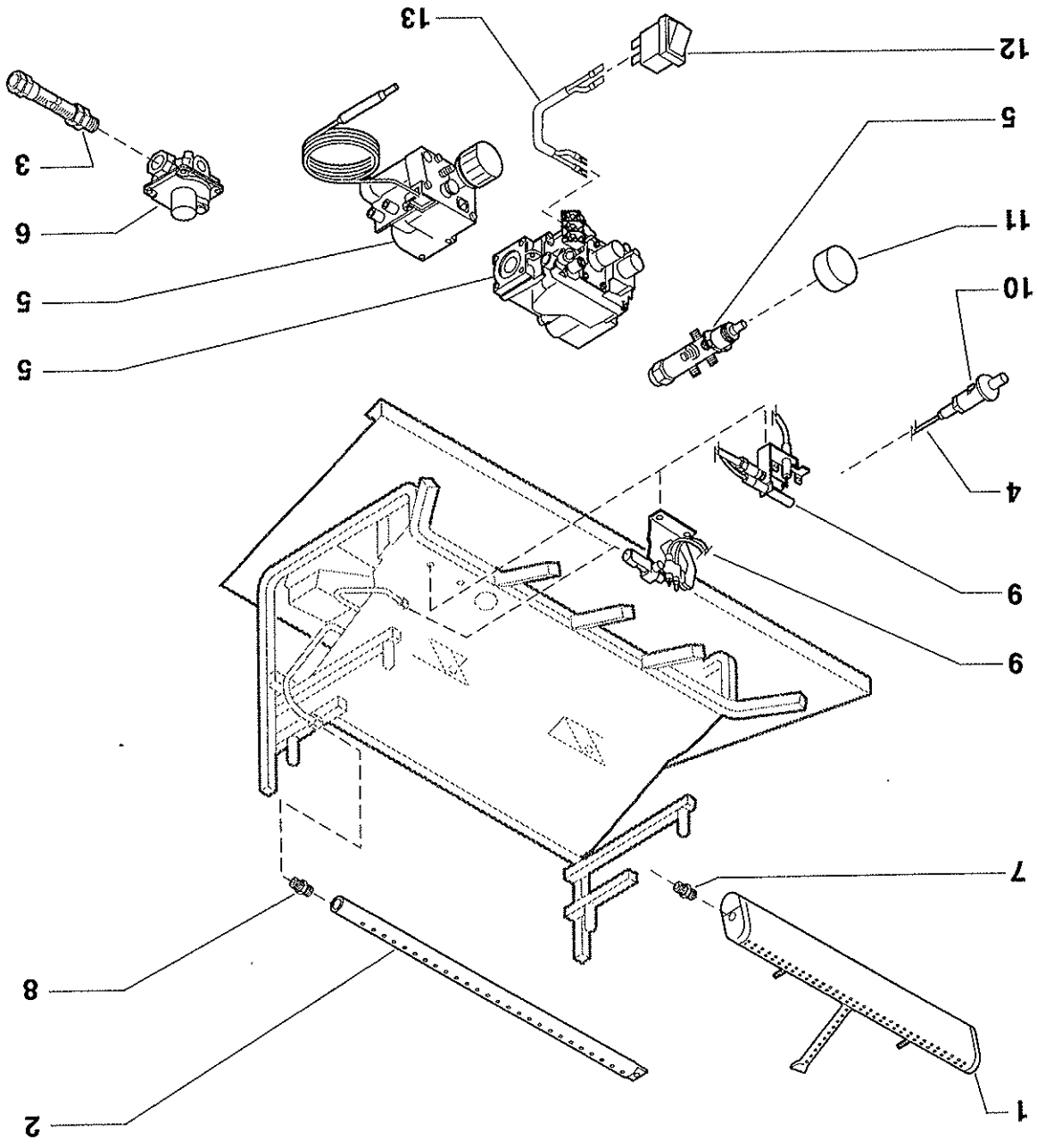


**REPLACEMENT PARTS LIST**

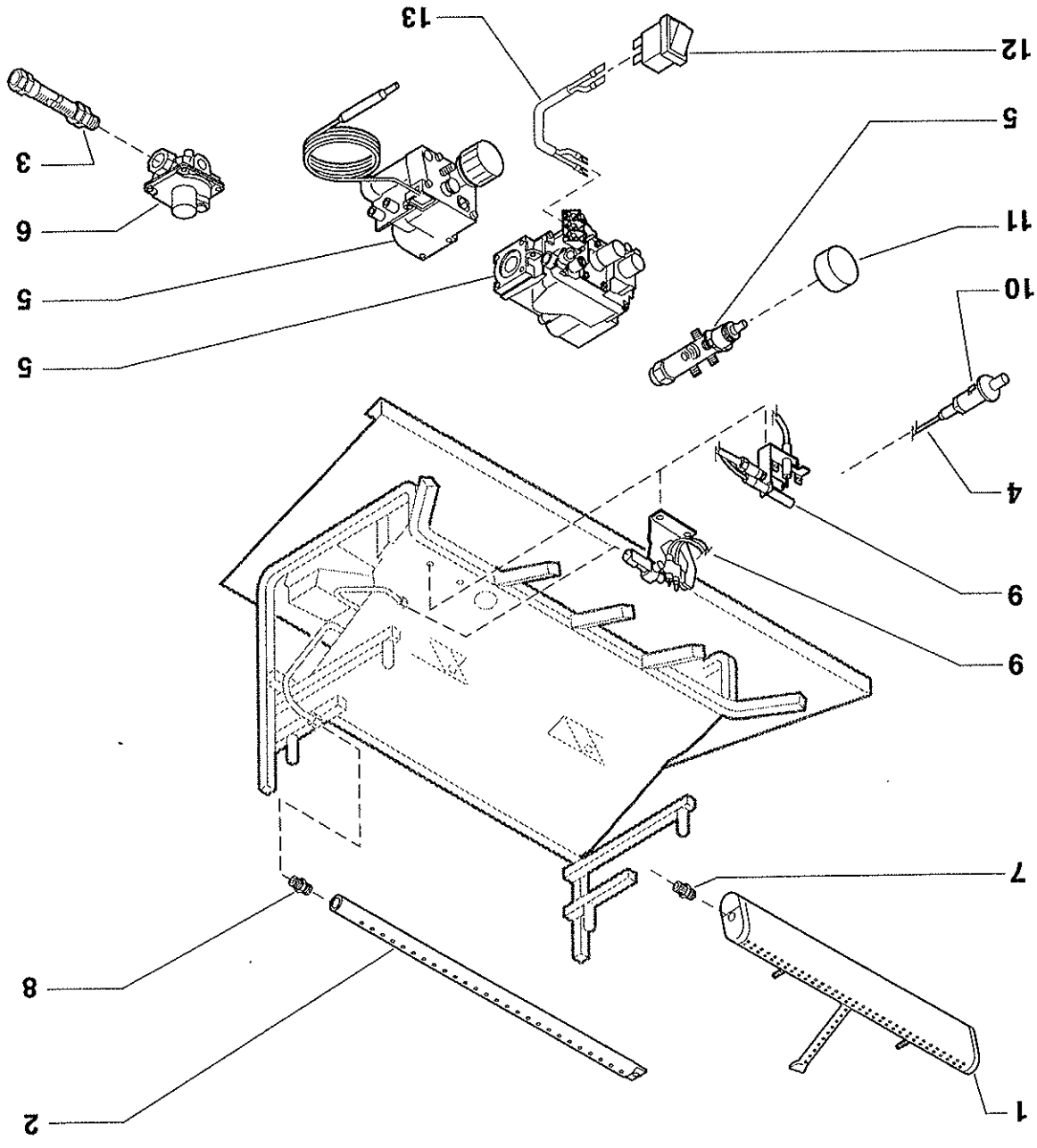
REPLACEMENT PARTS ARE AVAILABLE THROUGH YOUR RETAILER.

Item	Description	Qty	Natural	Propane
<b>Common Parts</b>				
1	Burner Front	1	14D0434	14D0434
2	Burner Rear	1	14D2257	14D2258
3	Flex Tube	1	20H0022	20H0022
4	Wire Piezo	1	00K0632	00K0632
<b>Manual Control</b>				
5	Valve Control	1	00K0910	00K0910
6	Valve Regulator	1	18D0351	18D0352
7	Injector Main	1	00K0913	14D0553
8	Injector Rear	1	14D0556	14D0555
9	Pilot ODS Ass'y	1	14D2259	14D2262
10	Ignitor Piezo	1	00F0011	00F0011
		1	00F0587	00F0587
11	Control Knob	1	18D0601	18D0601
<b>T-Stat Control</b>				
5	Valve Control	1	11V0701	11V0701
6	Valve Regulator	1	18D0351	18D0352
7	Injector Main	1	00K0913	14D0553
8	Injector Rear	1	14D0556	14D0555
9	Pilot ODS Ass'y	1	14D2259	14D2262
10	Ignitor Piezo	1	18D0402	18D0402
11	Control Knob		N/A	N/A
<b>Millivolt Control</b>				
5	Valve Control	1	14D0467	14D0468
6	Valve Regulator		N/A	N/A
7	Injector Main	1	00K0913	14D0553
8	Injector Rear	1	14D0556	14D0555
9	Pilot ODS Ass'y	1	14D2263	14D2264
10	Ignitor Piezo	1	14D0503	14D0503
11	Control Knob		N/A	N/A
12	ON/OFF Switch	1	20H0103	20H0103
13	Millivolt Wire Assy	1	17D0253	17D0253
14	Pilot Regulator (Not Shown)	1	14D0469	N/A





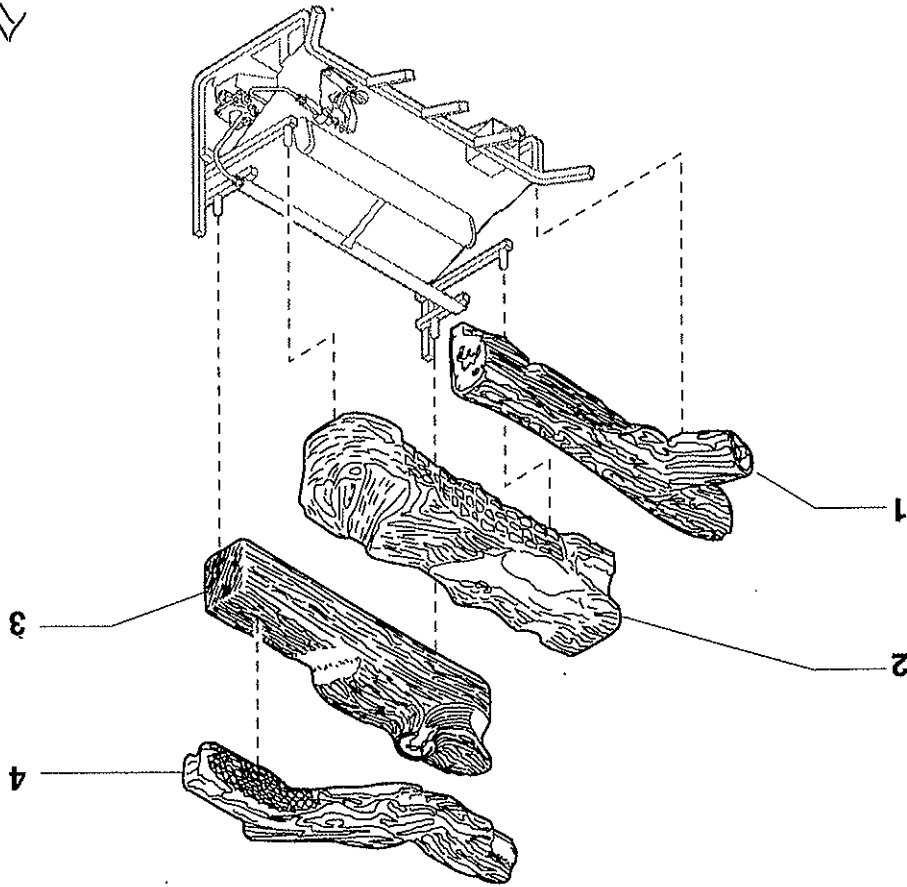
**WARNING**  
Failure to position the parts in accordance with these diagrams or failure to use only parts specifically approved with this appliance may result in property damage or personal injury.



**WARNING**  
Failure to position the parts in accordance with these diagrams or failure to use only parts specifically approved with this appliance may result in property damage or personal injury.

Aged Split Logs

IS This  
L x 24 H



Item	Description	Qty	Part Number
1	Log Front	1	14D2031
2	Log Center	1	14D2032
3	Log Rear	1	14D2033
4	Log Top	1	14D2022

REPLACEMENT PARTS ARE AVAILABLE THROUGH YOUR RETAILER.

REPLACEMENT PARTS LIST / ILLUSTRATION



**WARNING**

Turn appliance OFF and allow to cool before servicing. Only a qualified service person should service and repair the heater.

*Note: All troubleshooting items are listed in order of operation.*

**OBSERVED PROBLEM POSSIBLE CAUSE REMEDY**

**When ignitor button is pressed, there is no spark at ODS/pilot.**

1. Ignitor electrode positioned wrong.
2. Ignitor electrode is broken.
3. Ignitor electrode not connected to ignitor cable.
4. Ignitor cable pinched or wet. Keep ignitor cable dry.
5. Broken ignitor cable.
6. Bad piezo ignitor.

**Appliance produces unwanted odors.**

1. Appliance burning vapors from paint, hair spray, glues, etc.
2. Gas leak.
3. Ventilate room. Stop using odor causing products while heater is running.
4. Locate and correct all leaks.

**Appliance shuts off during use.**

1. Not enough fresh air is available for ODS/ pilot to operate.
2. Low line pressure.
3. ODS/pilot is partially clogged.
4. Defective Thermopile

**Gas odor even when control knob is in OFF position.**

1. Gas leak.
2. Control valve defective.
1. Locate and correct all leaks.
2. Replace control valve.

**When ignitor button is pressed, there is spark at ODS pilot, but no ignition.**

1. Gas supply turned off or manual shut-off valve closed.
2. Control knob not in P.I.L.O.T position.
3. Control knob not pressed in while in P.I.L.O.T position.
4. Air in gas lines when installed.
5. ODS/pilot is clogged.
6. Gas regulator setting is not correct.

**ODS/pilot lights, but flame goes out when control knob is released.**

1. Control knob not fully pressed in enough.
2. Control knob not pressed in long enough.
3. Manual shut-off valve not fully open.
4. Thermocouple connection loose at control valve.

**ODS/pilot lights, but flame goes out when control knob is released.**

1. Press in control knob fully.
2. After ODS/pilot lights, keep control knob pressed in for 30 seconds.
3. Fully open manual shut-off valve.
4. Hand tighten until snug, then tighten 1/4 turn more.

**OBSERVED PROBLEM**

**POSSIBLE CAUSE**

**REMEDY**

<p>One or both burners do not light after ODS/pilot is lit.</p>	<p>1. Burner orifice is clogged. 2. Burner orifice diameter is too small. 3. Inlet gas pressure is too low.</p>	<p>1. Clean burner or replace burner orifice. 2. Replace burner orifice. 3. Contact qualified service person.</p>
<p>Burner backfires during combustion.</p>	<p>1. Manifold pressure is too low. 2. Burner orifice is clogged.</p>	<p>1. Contact local gas company. 2. Clean burner or replace burner orifice.</p>
<p>Slight smoke or odor during initial operation.</p>	<p>1. Burner orifice is clogged or damaged. 2. Burner is damaged. 3. Gas regulator defective.</p>	<p>1. Clean burner or replace burner orifice. 2. Replace burner. 3. Replace gas regulator.</p>
<p>Logs appear to smoke after initial operation.</p>	<p>1. Vapors from paint or curing process of logs.</p>	<p>1. Problem will stop after a few hours of operation. Run the heater with the damper open if you have one, or open a window for the first few hours.</p>
<p>Heater produces a whistling noise when burner is lit.</p>	<p>1. Turning control knob to HIGH position when burner is cold. 2. Air in gas line. 3. Dirty or partially clogged burners orifice.</p>	<p>1. Turn control knob to LOW position and let warm up for a minute. 2. Operate burner until air is removed from line. Have gas line checked by local gas company. 3. Clean burner or replace burner orifice.</p>
<p>No gas to pilot.</p>	<p>1. LP-regulator shut down due to inlet pressure too high.</p>	<p>1. Verify LP tank regulator is installed and set at 11" to 13" w.c. 2. Replace regulator on heater.</p>
<p>Blower does not work</p>	<p>1. Power cord not plugged in. 2. Loose wire connections. 3. Defective blower thermostat.</p>	<p>1. Plug power cord into junction box found in lower access area. 2. Check wire connections, re-connect if loose. 3. Replace thermostat.</p>

**WARNING**

If the gas quality is bad, your pilot may not stay lit, the burners may produce soot and the heater may backfire when lit. If the gas quality or pressure is low, contact your local gas supplier immediately.

## LIMITED WARRANTY POLICY

Monessen Hearth Systems, Inc., warrants this unvented gas heater for a period of one year, logs and burners for five years, from date of purchase against defects in material or workmanship. This warranty covers only the cost of defective parts and applies only to the original consumer purchaser. The replacement of defective parts by Monessen Hearth Systems, Inc., will be without charge. This warranty does not extend to (1) heater damage by accident, neglect, misuse, abuse, alteration, negligence of others, including the installation thereof by unqualified installers, (2) the costs of removal, reinstallation or transportation of defective parts on the heater, or (3) incidental or consequential damage.

**THIS WARRANTY IS EXPRESSLY IN LIEU OF OTHER WARRANTIES, EXPRESS OR IMPLIED, INCLUDING THE WARRANTY OF MERCHANTABILITY OF FITNESS FOR PURPOSE AND OF ALL OTHER OBLIGATIONS OR LIABILITIES, MONESSEN HEARTH SYSTEMS, INC., DOES NOT ASSUME FOR IT, ANY OTHER OBLIGATION OR LIABILITY IN CONNECTION WITH THE SALE OR USE OF THIS HEATER.**

The heater must be installed by a qualified installer in accordance with the instructions furnished with the unit. The defective heater should be returned at your expense to the dealer from whom the product was purchased or an authorized service agent. Any products presented for warranty repair must be accompanied by a dated proof of purchase and date of purchase. Since some states do not allow the exclusion or limitation of incidental or consequential damages, or on how long an implied warranty lasts, the above limitations may not apply to you.

If you would like to communicate with the manufacturer, write to:

**Monessen Hearth Systems  
Attention: Customer Service  
P.O. Box 1018  
793 Lemons Mill Road  
Georgetown, Kentucky 40324**

Monessen Hearth Systems welcomes your comments and suggestions.