

Operating Instructions

Dishwasher

Save these instructions for future reference

Dear ASKO customer!

Thank you for choosing this quality product from Scandinavia, which was made in Sweden.

We want you to feel assured that the inside of your new machine is just as good as the outside and that the ethics and standards that went into the production of this machine are just as high as the quality and performance that you will receive from it. We hope that this product will give you many years of pleasure.

To ensure that you get the most out of your new machine, we recommend that you read the operating instructions before using the machine. The operating instructions also contain information on how to avoid damaging the environment.

ASKO D5883(Duo)

Contents

Before doing your first wash	3	Troubleshooting	26
Important safety instructions	4	Performance information	29
Child safety	5	Service and guarantee	30
Parts of the dishwasher	6	Installation checklist	32
Technical data	6	Own comments	33
Baskets	7	Quick Guide	36
Control panel	8		
Detergent Dispenser	8		
Basic Course	9		
Programs	12		
Program Description	13		
Options	15		
Specialsettings	17		
Eco-dishwashing	18		
Fragile dishes	19		
Display	20		
Cleaning	21		
Rinse aid	24		
Fault indications	25		

Before doing your first wash:

Read through the directions for use

Read through the directions for use before starting to use your machine, especially the Safety, Child Safety, and Basic Course sections.

Take care with certain materials

Read the Fragile Dishes section before washing china with unglazed decoration or other household goods made of plastic, wood, or crystal requiring careful treatment.

Check the door fitting

Check that the door of the dishwasher fits properly: open the door a little and let it go. Does it stay exactly where you released it? If not, you should check the installation instructions or consult the installer.

Check the water's hardness

Call your local water utility company to check the water hardness in your area. This is important when dispensing dishwasher detergent and rinse aid.

OBS!

The machine can only be adjusted when the door is open!

Note!

Do you need this Use&Care Guide in spanish? Log onto www.askousa.com/customer-care to download.

¿ Necesita esta Instrucciones de uso y cuidado en español? Entre en www.askousa.com/customer-care y descárguela.

Important safety instructions



This manual does not cover all possible conditions and situations that may occur. Common sense and caution should always be used when installing, operating, and maintaining any appliance.

- Read all instructions before using the dishwasher.
- Dishwashers must be electrically grounded. Read the Installation Instructions for details.
- Use the dishwasher only for its intended purpose.
- Do not run the dishwasher while you are out of the home.
- Use only automatic dishwasher detergents and rinse agents.
- To reduce the risk of injury, keep detergents and rinse aids out of the reach of children.
- Do not load sharp items near the door; you could damage the door seal.
- Place sharp knives in the cutlery basket with the sharp ends down to avoid the risk of cut-type injuries.
- Do not wash plastic items unless they are marked “dishwasher safe” or the equivalent. For items not marked, check the manufacturer’s recommendations. Items not dishwasher safe could become deformed or melt and create a potential fire hazard.
- Do not touch the heating element during or immediately after use.
- Do not operate the dishwasher unless all enclosure panels are properly in place (i.e., guard plate, access panel, toe kick, etc.)
- Do not tamper with controls by removing or changing.
- Do not abuse, sit on, or stand on the dishwasher door or baskets.
To reduce the risk of injury, do not allow children to play in or on a dishwasher.
- Under certain conditions, hydrogen gas

may be produced in a hot water system that has not been used for two weeks or more. **HYDROGEN GAS IS EXPLOSIVE.** If the hot water system has not been used for two weeks, before using the dishwasher turn on all hot water faucets and let the water flow from each for several minutes. This will release any accumulated hydrogen gas. As the gas is flammable, do not smoke or use an open flame during this time.

- When removing an old dishwasher from service or discarding it, remove the door to the washing compartment.
- Do not store or use combustible materials, gasoline, or other flammable vapors and liquids in the vicinity of this or any other appliance.
- Disconnect electrical power to dishwasher before servicing.
- Repairs should be done by a qualified technician.

Child safety!



Child safety tips



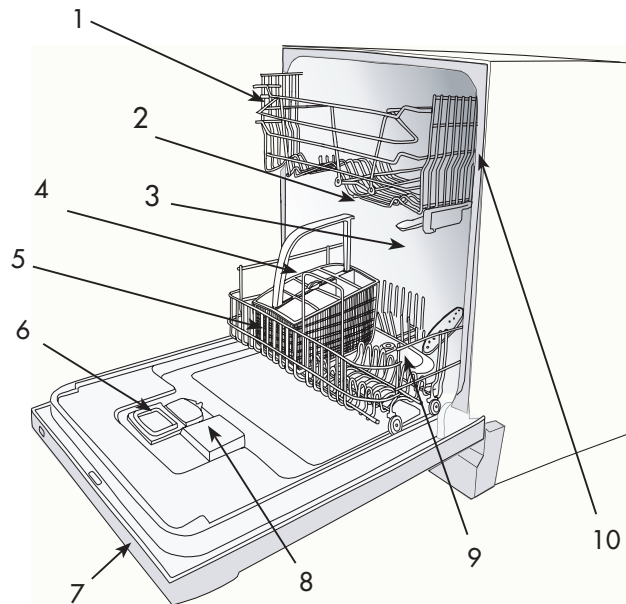
Dishwasher detergents and rinse aids are corrosive, so always keep them out of reach of children.

- Should a child swallow dishwasher detergent or rinse aid, give plenty to drink immediately, i.e., one or two glasses of milk or water. Do not try to induce vomiting. Seek medical advice immediately: Call the National Capital Poison Center at 1-800-222-1222
- Always close the door and start the dishwasher as soon as you put in the detergent.
- Always keep small children away from the machine when it is open. There may be some detergent residue left inside the machine.
- If dishwasher detergent gets in someone's eyes, rinse them with plenty of water for at least 15 minutes. Seek medical advice.
- Do not allow children to use or play in or on the dishwasher.
- Load all long and sharp items in the knife/utensil basket. If this is not possible, load sharp objects with the pointed end facing the back of the dishwasher. Sharp items loaded in the cutlery basket should be loaded with pointed ends down.
- Engage the child safety lock.

Parts of the dishwasher*

1. Upper basket
2. Spray arms
3. Lamp
4. Cutlery basket
5. Lower basket
6. Dishwasher detergent compartment
7. Main switch
8. Rinse Aid Compartment
9. Filter
10. Type plate

*Details may differ depending on the model and market!



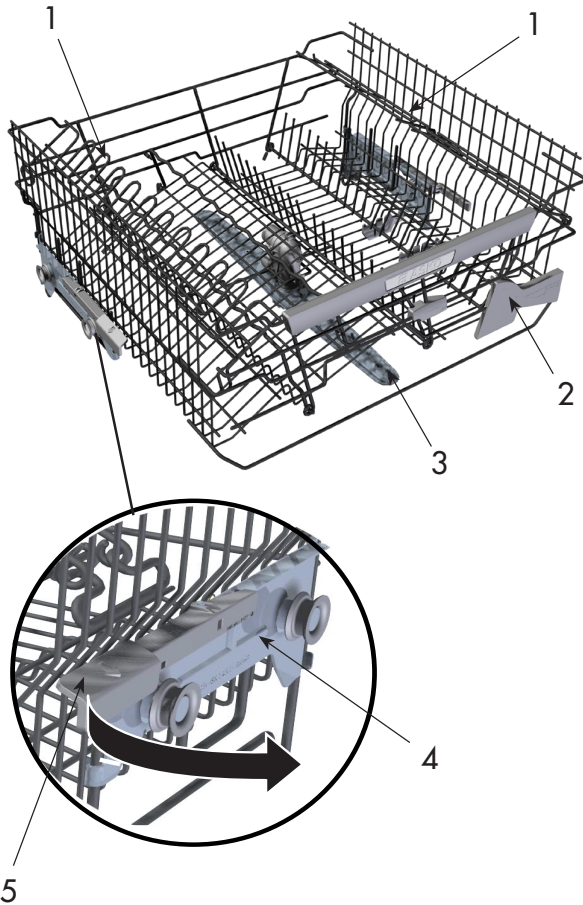
Technical data

Height	34-3/8" - 36-1/2" 874-927mm
Width	24" (610)mm
Depth	24" (610)mm
Weight	105.8 lbs (48 kg)
Water pressure	4.2 - 140 psi 0.03 - 1.0 MPa 0.3-10 Bar
Connection	Single phase, 120 V, 60 Hz, 10 A
Max output	1300 W

The baskets*



Upper basket



1. Wine glass shelf
2. Knife stop
3. Upper spray arm
4. Runner for adjusting basket height
5. Catch

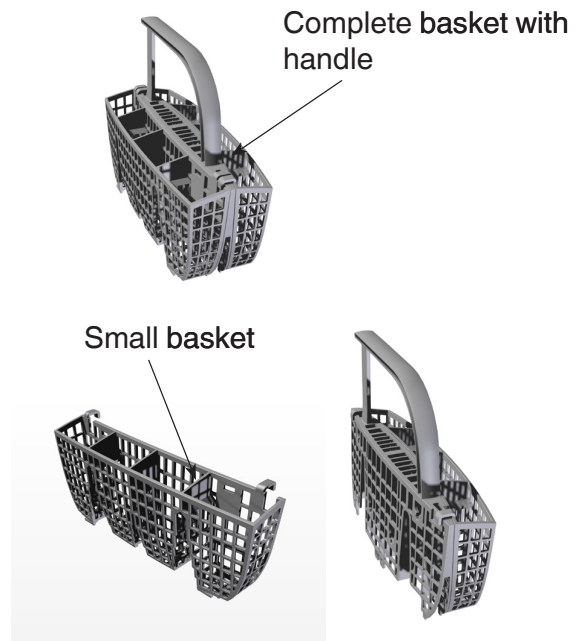
Raising/lowering the upper basket

- Pull out the upper basket.
- Pull out the catches (5) on either side of the upper basket and lift or raise the upper basket at the same time.
- Release the catches once the basket is in the desired position.

Lower basket



Cutlery basket



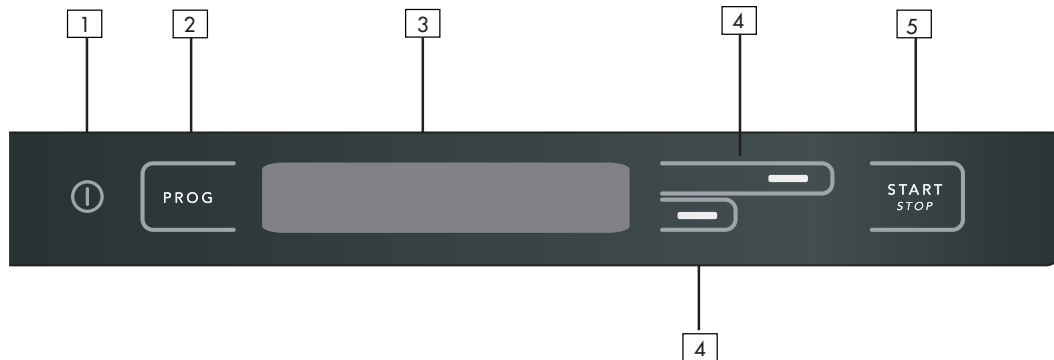
*Details may differ depending on the model and market!

Control panel

The panel has touch buttons with optional sounds to confirm selections.

Important!

The touch buttons must be kept clean and free from grease. Use only a dry or slightly damp cloth and never cleaning fluid as this can cause scratches.

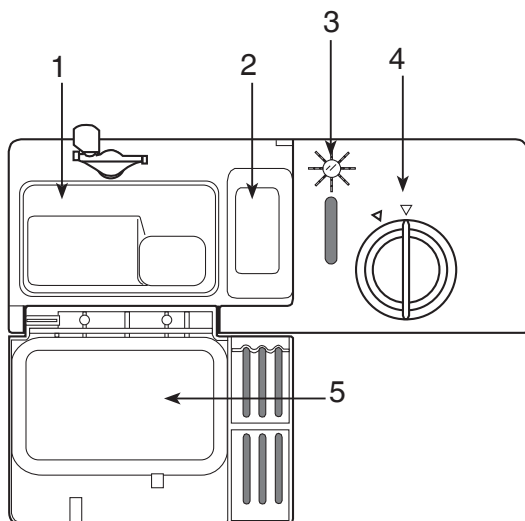


1. Main switch
2. Program selector
3. Display window
4. Navigations buttons
5. Start/stop

Important!

Wait a moment before pressing the touch buttons after opening the door.

Detergent Dispenser



1. Compartment for main wash dishwasher detergent
2. Compartment for pre-wash detergent
3. Refill indicator for rinse aid (not all models)
4. Rinse aid cover
5. Detergent compartment cover

Basic Course

Below are step-by-step instructions to help you achieve the best possible dishwashing results.

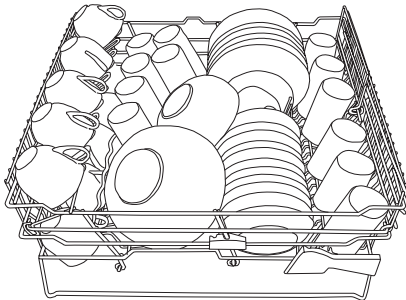
1 Load the baskets correctly!

Thanks to Self Cleaning System, you do not need to rinse the dishes under running water. Simply remove large food particles and debris. Convenient and environmentally-friendly!

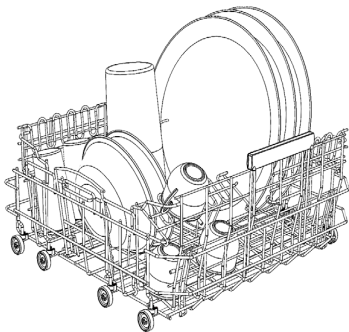
Place glasses, cups, bowls, side plates, and saucers in the upper basket. Wine glasses should be hung from or leaned against the wine glass shelf.

Note!

Ensure that all soiled surfaces face inwards or downwards!



Place dinner plates, side plates, serving dishes, saucepans in the lower basket.



Stand the cutlery with handles downward and as spread out as possible. Ensure that spoons are not resting inside each other.

Do not put cutlery made of different materials - such as silver and stainless steel - in the same compartment (risk of stains).



Check that the spray arms are able to move freely. See the section entitled Fragile Dishes if you want to wash objects that may be fragile.

2 Dishwashing detergent

We recommend that you use only unscented, granular automatic dishwashing detergent. Using the wrong detergent could cause flooding and/or damage your dishwasher. Do not use detergent that has been wet and is clumped. Also, check the expiration date on the container. The amount of detergent needed can vary due to differences in water hardness. To determine the water hardness in your area, contact your local water utility or area water softening company. The harder the water, the more detergent you may need. Refer to the chart below for the recommended detergent amounts based on water hardness. Remember, you should adjust the amount of detergent you use by small amounts until you find the correct amount.

Twelve grains and higher is extremely hard water and detergent alone may not be enough. You may need to use a water softener to maximize the performance of your dishwasher. Also, in areas with hard water (9+) you may need to wash at lower temperatures to prevent hard water deposits from forming in tank and wash system. In hard water areas, both the dishes and the machine can develop a white or gray film after a while.

This can be removed by replacing the pre-wash detergent with two tablespoons of citric acid. If the water is very hard, use a rinse aid that contains citric acid.

Different brands of dishwasher detergent have different amounts of phosphorous for softening water. If you have hard water and use a detergent with less than 8.7% phosphorous content, you may need to use more detergent or use a detergent with more than 8.7% phosphorous content.

NOTE:

We recommend that you do not add pre-wash detergent for the Quick wash programs.

Dishwasher tablets

Halve the tablet if it is difficult to close the dispenser cover. There is a risk that the dishwasher detergent will not break down properly to give the correct dosage if the cover is tight and cannot be opened correctly.

3-in-1/ Multi-purpose detergent

Note!

If you use a dishwashing detergent with a rinse aid additive, you may not need to fill the rinse aid dispenser.

Read the directions for use for such products carefully. If anything is unclear, contact the detergent manufacturer.

3 Switch on the main switch
①

4 Select program
For select program see part Programs.

5 Select option

If you wish to use additional options continue to part Option. Otherwise you can now start the machine, see point 6.

Recommended detergent amounts based on water hardness

Water hardness	Detergent amounts
Soft (0-3 grains per gallon)	Prewash 1 teaspoon Main wash 1 to 1-1/2 tablespoons
Medium (4-8 grains per gallon)	Prewash 1 teaspoon Main wash 1 to 2 tablespoons
hard (9+ grains*)	Prewash 1 teaspoon Main wash 2 to 3 tablespoons
* 12 grains and higher is extremely hard water.	

6 Press start

The dishwasher will now start. It manages the entire wash automatically. Ensure that the door is properly closed or the machine will not start. The display shows 'Program started'. If the door is open or not properly closed, 'Close door' appears in the display.

Changing program

If you want to change program after having started the machine, press the Start/Stop button for three seconds. Then select a new program and press the Start/Stop button. Make sure there is detergent in the dispenser.

Do you want to load more dishes?

Carefully open the door; the machine will stop automatically, put in the dishes, close the door and the dishwasher will continue from where it left off.

If the machine is switched off at the main switch

(or in the event of a power cut) before the washing program has been completed, the interrupted program will continue when the power comes back on.

Note!

If the power is switched off, or if the door is open during drying, the program is interrupted.



7 After dishwashing

Once the machine has finished, it only draws standby current. Turn off the water faucet if the machine is not to be used for an extended period, such as during vacations, for example.

Programs

Select program

Select a program by pressing the program selector one or more times until the required program text lights up.

Press	Pos.	LCD	Comments/instructions
	1	Daily	A program suitable for daily dishes. The program can also deal with dried food, though the short prewashes are not designed for burnt food.
	2	Time	From lightly soiled loads to heavily soiled loads, depending on selected time. Longer time gives heavier wash.
	3	Heavy	The Heavy Wash program should be used for heavily soiled dishes, e.g. saucepans, pots and gratin dishes. If there is still space in the machine after loading such items, you can add plates etc.
	4	Normal	Used for washing normally soiled dishes such as plates, serving dishes, cups and glasses, etc.
	5	Pots and Pans	For the heaviest soiled loads, such as casseroles, sauce pans, etc.
	6	Delicate	If the dishes are not heavily soiled, you can select Delicate wash. This program is intended for glass and china which has just been used and therefore does not need such a powerful program.
	7	Quick	Select Quick Wash if the dishes are very lightly soiled. This program is used for very lightly soiled glass and china, e.g. coffee cups.
	8	Rinse and dry	The Rinse & Dry programme comprises a rinse with heat and drying. It is a suitable programme if you for exemple are planning to make jam and want to rinse and warm previously washed glass jars.
	9	Rinse and hold	For rinsing the dishes while waiting for the machine to be filled.
START STOP 	If you wish to use additional options, continue to Selecting options. Otherwise you can now start the machine.		

Program Description

Programview					
Programs	Daily	Time	Heavy	Normal	Pots and Pans
Options	140°F	Selectable 30 to 180 minutes	130°F	150°F {{{	150°F {{{
Prewashes with SCS*	1 prewash	varying	2 prewashes	3 prewashes	3 prewashes
Mainwash ***	140°F	Max. 150°F	130°F	150°F	150°F
Number of rinses	2, last rinse 150°F	Max. 150°F	3, last rinse 140°F	3, last rinse 160°F	2, last rinse 160°F
Consumption values					
1. Wash time hot water / min. **	105	30 to 180	190	140	145
Energy approx. kWh	0.8	0.3 - 1.3	0.8	1.0	1.0
2. Wash time cold water / min. **	120	30 to 180	220	175	185
Energy approx. kWh	1.2	0.5 - 1.6	1.4	1.7	1.6
Water consumption (gallon)	3.7 (14 l)	2.6 - 4.9 (10 - 18 l)	5.3 (20 l)	5.8 (22 l)	5.3 (20 l)
<p>* SCS = Self Cleaning System. ** All quoted times are approximate. Cycle time fluctuations may occur due to water temperature, water pressure, variations in voltage etc. 1. Hot water connection approx. 120°F (50°C). 2. Cold water connection approx. 50°F (10°C). *** The listed temperatures are set as the default from the factory. By using the temperature option you can alter the temperature.</p>					









Program Description

Programview				
Programs	Delicate	Quick	Rinse & Dry	Rinse & Hold
Options	120°F	140°F)))	--	--
Prewashes with SCS*	--	--	--	--
Mainwash ***	120°F	140°F	--	--
Number of rinses	2, last rinse 120°F	2, last rinse 140°F	1, last rinse 120°F	1 rinse
Consumption values				
1. Wash time hot water / min. **	110	65	20	4
Energy approx. kWh	0.5	0.7	0.2	0.01
2. Wash time cold water / min. **	125	80	30	4
Energy approx. kWh	0.9	1.1	0.4	0.01
Water consumption (gallon)	2.7 (10 l)	2.6 (10 l)	0.8 (3 l)	0.8 (3 l)
<p>* SCS = Self Cleaning System. ** All quoted times are approximate. Cycle time fluctuations may occur due to water temperature, water pressure, variations in voltage etc. 1. Hot water connection approx. 120°F (50°C). 2. Cold water connection approx. 50°F (10°C). *** The listed temperatures are set as the default from the factory. By using the temperature option you can alter the temperature.</p>				

Options

Select options


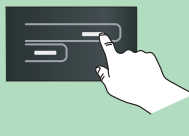



To select an option, press one of the option buttons.

		Description																						
Delayed start		<ul style="list-style-type: none"> • If you want the machine to start up later, press the 'Delayed start' option button, you can delay the start 0.5-24 h. A clock symbol and the number of hours until start will appear in the display window. • Press the Start/Stop button or make a further selection. The machine will now count down the time each hour until the machine starts, and then show the remaining wash time in the display window. • To cancel Delayed start, press and hold the Start/Stop button for 3 seconds. 																						
Temperature	<table border="1"> <tr> <td>Program</td> <td></td> </tr> <tr> <td>Daily</td> <td></td> </tr> <tr> <td>Time</td> <td></td> </tr> <tr> <td>Heavy</td> <td></td> </tr> <tr> <td>Normal</td> <td></td> </tr> <tr> <td>Pots & Pans</td> <td></td> </tr> <tr> <td>Delicate</td> <td></td> </tr> <tr> <td>Quick</td> <td></td> </tr> <tr> <td>Rinse&Dry</td> <td></td> </tr> <tr> <td>Rinse&Hold</td> <td></td> </tr> <tr> <td></td> <td></td> </tr> </table>	Program		Daily		Time		Heavy		Normal		Pots & Pans		Delicate		Quick		Rinse&Dry		Rinse&Hold				<p>With the temperature option button you can select the wash temperature yourself.</p>
Program																								
Daily																								
Time																								
Heavy																								
Normal																								
Pots & Pans																								
Delicate																								
Quick																								
Rinse&Dry																								
Rinse&Hold																								
Drying	<table border="1"> <tr> <td>Normal</td> <td></td> </tr> <tr> <td>Without</td> <td></td> </tr> <tr> <td>Eco</td> <td></td> </tr> </table>	Normal		Without		Eco		<p>If you desire a maximum drying result, press the Drying options button (Normal) and a symbol showing three wavy lines will light. (in all programs except Time, Rinse & Dry, Rinse & Hold).</p> <p>If you want a program without Drying options, press the button again and the symbol will go out.</p> <p>To save energy, select Economy dry.</p>																
Normal																								
Without																								
Eco																								

Note: Press PROG to confirm your selection.








Options

		Description
Time saver	Off	An option that shortens the program time but uses more water and energy to clean the dishes. Can be used with Heavy Wash and Normal Wash.
	On 	
Tab	Tab Off	This option is available when using a combi detergent, such as a 3-in-1 type. The dishwashing programs are automatically adjusted so that the best possible washing and drying results are always attained. If you deactivate this option, the machine will return to ordinary function for all programs. When using this option it is not necessary to add rinse aid as the rinse aid dosing function is bypassed. Salt consumption is reduced by roughly, so the water softener must still be filled with salt. Read the dishwashing detergent package carefully for directions of use. If you have problems with deposits or dishes not being dry: deactivate this option and fill with rinse aid and salt. Salt consumption applies only to machines with water softeners. See the chapter entitled "Before doing your first wash". NB: In order to achieve good dishwashing results, it is essential to check which type of dishwasher detergent or combi product best suits your needs! The instructions and warnings on the packaging must be followed!
	Tab On	
Super rinse	Off	The Super rinse option adds two extra rinses. The Super rinse option can be used in all programs except the Time, Rinse & Hold and Rinse & Dry programs.
	On 	
Cool touch	Off	This option lets you set a cool-down cycle after the drying program, if you want the dishes to be cooler for unloading (in all programs except Time, Rinse & Dry, Rinse & Hold).
	On 	
Special settings	Yes	If you wish to use settings, continue to Special settings .
	Exit	

Special settings

To get to the Special settings

When you have selected the programme and any option, press the Menu button until 'Special settings' appears in the display.

		Description
Special settings	Yes	
Language	SE	Language on the LCD can be selected. To access the language menu directly press  and  simultaneously.
	EN	
	RU	
	DK	
	NO	
	NL	
	DE	
	FI	
	ES	
	IT	
	FR	
Child lock	Off	Child lock can be set on or off. Default off.
	On 	
Buzzer volume	1-4	This signal is set at the factory.
Operation volume	1-4	The signal shall indicate confirmation of a selection.
Temperature units	°C	The (program) temperatures on LCD can be set in °C (Celcius) or °F (Fahrenheit).
	°F	
Water consumption	Number of wash cycles	

Eco-dishwashing

Only wash full loads

Waiting to run the wash until the machine is full saves energy.

Wash at a lower temperature

If the dishes are only lightly soiled you can run a Quick wash program and reduce the temperature to 86°F (30°C).

Select a program with Economy dry

To save energy, select Economy dry. You will get a better drying result if you leave the door slightly open after the end of the program.

Do not rinse before dishwashing

Thanks to the dishwasher's Self Cleaning System (SCS) you do not need to rinse the dishes under running water before loading them into the machine.

Choose environmentally-friendly dishwasher detergent

Read environmental declarations on the package!

Connect to cold water supply

For best performance it is recommended that connection is to cold water.

Fragile dishes

A number of household goods are not suitable for machine washing. This can be due to a variety of reasons. Certain materials cannot withstand intense heat; others can be damaged by the dishwasher detergent.

Fragile decoration

China with decoration on top of the glaze (the goods have a rough feel) should not be machine washed.

Crystal/ glass

Place the goods so that they do not knock together during the wash. Use the lowest possible wash temperature and the shortest possible program. Do not heat dry! Antique and very fragile items should not be machine washed.

Glass which is machine washed at high temperatures can in time develop a grey film which cannot be removed. Wash fine glass at the lowest temperature and with a low dosage of dishwasher detergent.

Silver

Silver and stainless steel items should not come into contact with each other as the silver can discolor.

Cutlery with glued handles

Certain types of adhesive cannot withstand machine washing. In such cases the handles can come loose.

Wood

Wooden items should only be machine washed if they are labeled as dishwasher safe.

Aluminum

Aluminum can be dulled by machine washing. However, good quality aluminum saucepans can be machine washed, although a reduction in luster should be expected.

Plastic

Certain types of plastic cannot withstand the high temperature generated in machine dishwashing.

Protect plastic goods

Select a program with a low temperature.

Display

When you have selected programme and option, the display shows the length of time the programme took the last time it was used. When you have started the machine, the display window shows how much of the programme time remains.

This time can vary a little from one occasion to another depending on the temperature of the inlet water, the amount of dishes, the ambient temperature, etc.

During the time the programme is operating, the time is counted down and the remaining programme time is shown in the window.

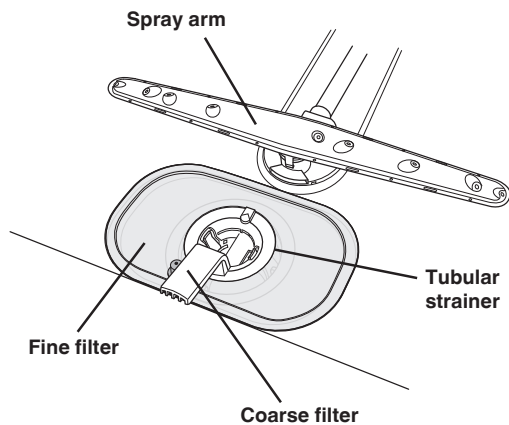
The remaining time is shown e.g. as 1:02, which means that 1 hour and 2 minutes of the programme remain.

NB!

During the first run of each programme, the remaining time display can be slightly misleading as the machine is estimating the time. If the programme takes longer than expected, it displays 1 minute until the programme is finished.

Cleaning

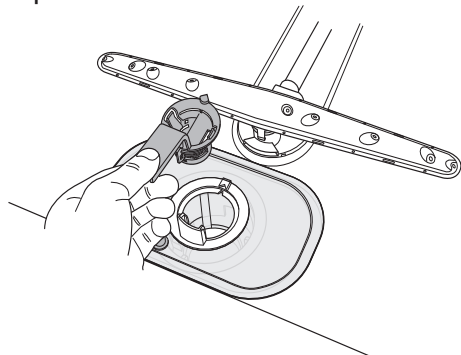
The dishwasher tub is made of stainless steel and is kept clean through normal use. However, if you have hard water, limescale deposits may form in the machine. If this happens, run a normal wash program with two tablespoons of citric acid in the dishwasher detergent compartment.



Coarse filter

The coarse filter traps larger food particles, which cannot get past the drain pump.

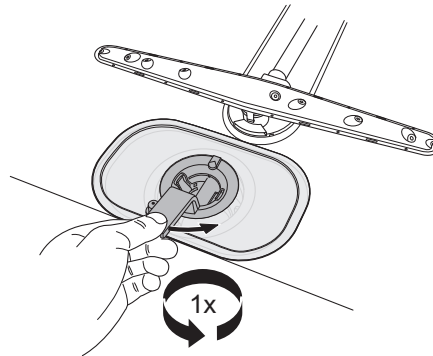
1. Lift the coarse filter by the handle.
2. Empty the coarse filter. Don't forget to replace it!



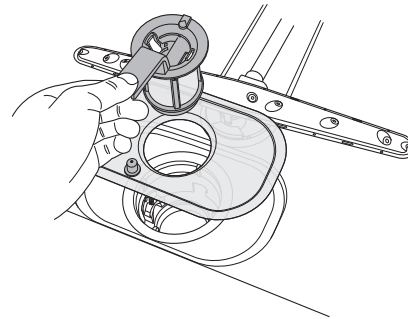
Fine filter

Debris that collects on the fine filter is automatically rinsed away during each wash. However, the fine filter and its pipe section should be cleaned once or twice a year.

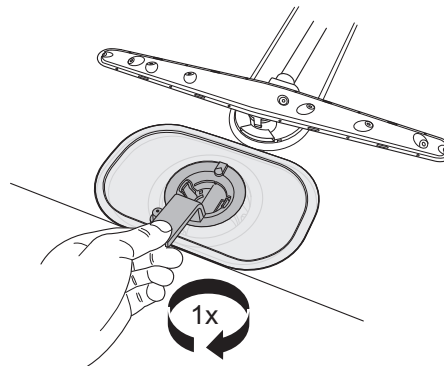
1. Turn the handle once counter-clockwise.
2. Lift the pipe section straight up by the handle. Free the coarse filter to clean the pipe section.



3. Remove and clean the fine filter.
4. Replace in reverse order. Ensure that the edges are properly sealed when replacing the fine filter.



5. Lock the filter in place by turning the handle clockwise to the stop position: the handle should point out from the dishwasher.



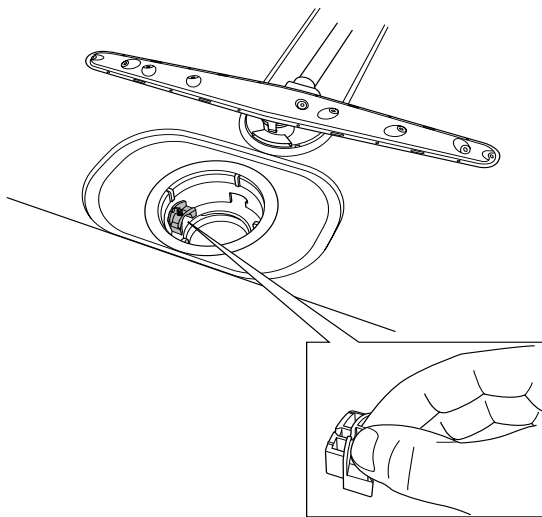
NOTE:

The dishwasher must not be used without the filter in place!
An improperly fitted coarse filter may affect the dishwashing result!

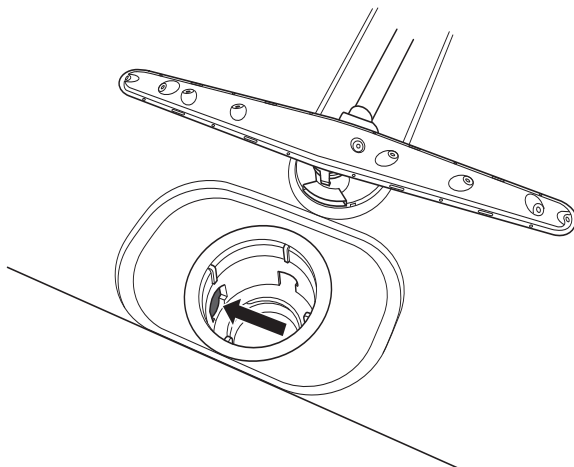
Drain pump

The pump can be accessed from inside the machine.

1. Cut the power to the machine by pulling out the plug! ⚠
2. Remove the coarse filter and pipe section.
3. Remove the small fitted piece at the left of the bottom drain (see the image below).



4. You can release and turn the pump blade by inserting your finger into the hole and release anything blocking it.
5. Reinstall the fitted piece and filters.
6. Plug the plug into the wall socket.

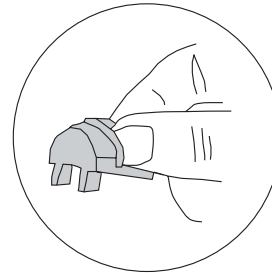


If the machine still does not start and a buzzing sound is heard, the overflow guard has been activated.

- Shut off the water.
- Pull the plug out from the wall socket.
- Call the service division.

NOTE!

Do not forget to reinstall the fitted piece.

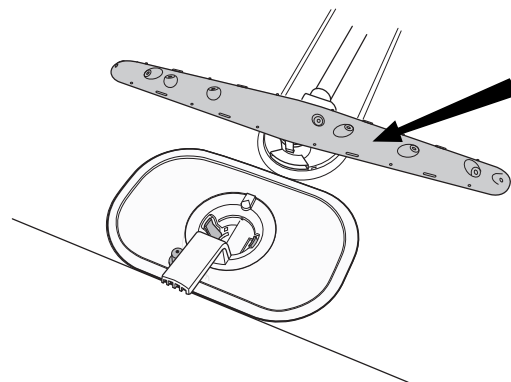


The spray arms

Holes and bearings can sometimes become blocked.

1. Pull the lower washer arm straight up to release it.
2. Remove any deposits using a needle or similar.

The washer arms also have holes underneath.

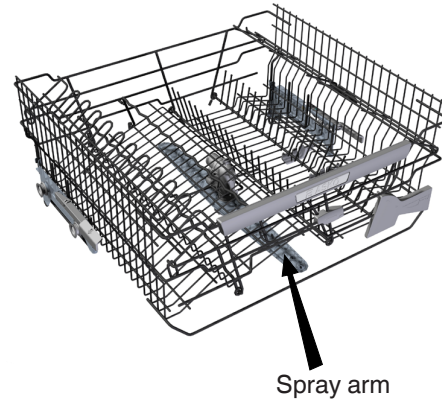


To release the upper spray arm, the upper basket must be removed.

3. Pull out the basket.

4. Remove the upper spray arm by unscrewing it counter-clockwise from the basket and clean it.

5. Screw the spray arm back into place.



Door

When cleaning the edge around the door, use only a slightly damp cloth, possibly with a little detergent. Do not use a spray bottle or similar around the door catch. This is to ensure that water does not penetrate into the door catch and come into contact with the electrical components.

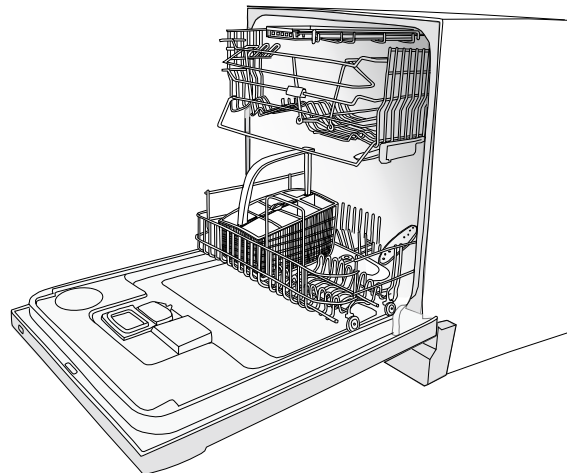
CAUTION!



Do not use a spray bottle or similar around the door catch.

Tip!

In order to prevent bad odours in the dishwasher, clean the strips and corners with a dish brush and low-lather detergent.




Rinse aid



Adding rinse aid

In some cases, drying can be made more efficient by using rinse aid.

Machines with indicator on the panel

When the rinse aid has run out and more is needed, the rinse aid symbol  on the panel lights up*.

To fill with rinse aid:

1. Turn and lift up the cover of the rinse aid compartment to the right of the dispenser. This is where you top up and set the amount of rinse aid to be dispensed in each wash.
2. Carefully pour in rinse aid up to the dosage setting knob.

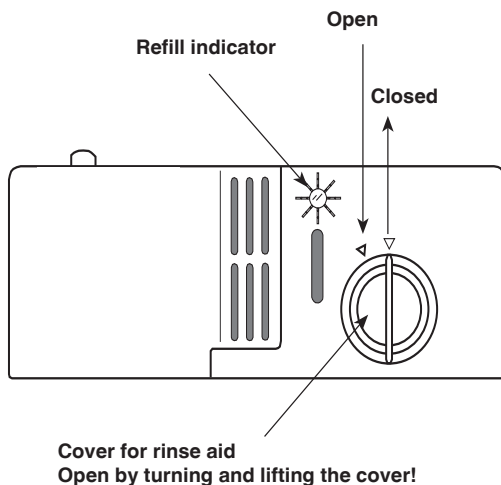
Alter dosage if required. Do not forget to close the cover.

*Note!

After filling there may be a short delay before the signal light goes out.

Machines with refill indicator in detergent dispenser

There is a refill indicator in the middle of the dispenser (see illustration). If the refill indicator is totally black, there is sufficient rinse aid. However, if the indicator has a more transparent appearance, you need to top up with rinse aid (see above).



Select dosage

The dispenser is usually set at 1= soft water. However, depending on the water hardness, you may need to change the dosage.

Open the rinse aid cover. Here you will find the dispenser's adjustment dial. Settings 1-6: the harder the water, the higher the dosage. When the water hardness exceeds 3 grains, you should use rinse aid with citric acid (acid rinse aid).

Too much rinse aid can lead to the build-up of foam. If your water is particularly soft, you can dilute the rinse aid (1 part rinse aid, 1 part water).

Too much rinse aid can cause streaks on the dishes, while too little can result in water stains.

Fault indications

Display	Type of fault	Action
<i>Overfilling</i>	Too much water in the machine	Phone for service
<i>Water inlet fault</i>	Fault in the water inlet	Check that the tap is open
<i>Inlet valve leakage</i>	Inlet valve leakage	Shut off the tap and phone for service
<i>Drainage fault</i>	Blocked drain	See 'Possible causes' in chapter Troubleshooting
<i>Blocked filter</i>	Clogged filter	Clean filters, see chapter Cleaning

To remove the fault indications from the display, turn off the main switch and then turn it back on again.

Troubleshooting

Problems

The dishes are not clean

Possible causes

- The spray arms are not rotating
- Old dishwasher detergent. Note! Detergent is perishable
- Incorrect dosage of detergent
- Wrong wash program selected
- Incorrect loading of the dishwasher
- Glasses and cups have tipped over during the wash
- Filter not correctly positioned

Action

- Lift off the arms and clean
- Avoid large packs
- Dispense according to the level of water hardness
- Heavier programs are longer, and use higher temperatures for dirtier loads. Use a heavier program better suited for the load
- Do not cover china with large bowls or the like
- Try not to place too much tall glassware in the corners of the baskets
- Load the china securely
- Screw the filter into place

Stains or a film on the china

- Incorrectly set rinse aid dispenser
- Phosphate-free detergent in combination with hard water
- Too high a temperature and/or too much detergent can cause etching on (crystal) glass. Unfortunately this cannot be remedied, only prevented!

- See the chapter on rinse aid
- Change detergent
- Wash (crystal) glass at a low temperature and use dishwasher detergent sparingly. Contact the dishwasher detergent manufacturer

The china has a whitish-blue sticky film

- Too high dosage of rinse aid

- Reduce dosage. See the chapter on rinse aid. If the water is very soft, you could try diluting the rinse aid with water (1 part rinse aid, 1 part water)



Troubleshooting

Problems	Possible causes	Action
Stains on stainless steel or silver	<ul style="list-style-type: none"> • Certain food remnants such as mustard, mayonnaise, lemon, vinegar, salt, and dressings can cause stains on stainless steel if allowed to remain for any length of time. All stainless steel can mark silver if allowed to come into contact during the dishwashing process. Aluminum can also cause stains on dishes 	<ul style="list-style-type: none"> • Rinse off food residue of this type if you do not intend to start the dishwasher immediately • Separate your cutlery into various compartments in the basket. Make sure silver and stainless steel are not together
Stains which remain after dishwashing	<ul style="list-style-type: none"> • Lipstick and tea can be difficult to remove 	<ul style="list-style-type: none"> • Heavier programs are longer, and use higher temperatures for dirtier loads. Use a heavier program better suited for the load
Rattling sound during dishwashing	<ul style="list-style-type: none"> • The dishes are not properly loaded or the spray arms are not rotating 	<ul style="list-style-type: none"> • Check that the china is loaded securely. Spin the spray arms to make sure they rotate
The machine will not start	<ul style="list-style-type: none"> • You have forgotten to switch on the main switch • The door is not closed properly • The home's circuit breaker has tripped • The plug is not plugged in • The water tap is off • Overfilling/leakage • A whirring sound (the drain pump) is heard from the machine, which ceases when the power is turned off at the main power switch 	<ul style="list-style-type: none"> • Check • Check • Check • Check • Check • Contact our Customer Care Center <ol style="list-style-type: none"> 1. Shut off the water tap 2. Unplug the electrical plug from the outlet 3. Contact our Customer Care Center at the number at the bottom of the page



Troubleshooting

Problems

Water remains in the machine

Possible causes

- Obstruction in the drain hose
- Kinks in the drain hose
- The filters are clogged
- Objects in the drain pump
- Dirt around edges and corners

Action

- Disconnect the drain hose where it is connected to the sink's water trap. Check that no debris has become stuck. Is the cone-shaped part of the pipe cut so that the diameter is at least 16 mm?
- Check that the hose is free from kinks or sharp bends
- Clean out the coarse filter, the fine filter and the filter
- Clean out the drain pump. See the chapter on cleaning
- Clean with a dishwashing brush and low-foaming detergent

Bad odor in the machine

- Dirt along the strips and in corners

- Clean with a dish brush and low-lather detergent

Dishes do not get sufficiently dry

- The Economy dry option has been selected
- The machine is not fully loaded
- Rinse aid is out or set for too small a dosage

- Activate the Normal drying option
- Load the machine full
- Fill or increase the amount of rinse aid
- Open the door slightly once the program has finished

1 minute appears in the display

- The program is taking longer than estimated

- No action; next time the program is run the corrected time will be displayed

The touch buttons do not react when pressed

- You have pressed the touch buttons too soon after opening the door
- Dirt or grease on the touch buttons

- Wait a moment then try again
- Wipe clean with a dry or slightly damp cloth

Performance information

Energy standard

USA:

ANSI/AHAM DW-1-2005

Label program:

Normal 130°F (55°C)

Technical data

Height:

34-3/8" - 36-1/2" 874-927mm

Width:

24" (610mm)

Depth:

24" (610mm)

Weight:

105.8 lbs (48 kg)*

Water pressure

4.2 - 140 psi

0.03 - 1.0 MPa

0.3-10(Bar)

Electrical connection:

See serial tag/rating plate

Rated power:

See serial tag/rating plate

*The weight can vary due to varying specifications.

Loading of performance test



Upper basket with 10 place settings AHAM DW-1



Lower basket with 10 place settings AHAM DW-1

Service and guarantee

Asko Appliances Inc. will not pay for:

1. Service calls to:
 - Correct the installation of the appliance.
 - Repair damage due to shipment, delivery, installation, misuse or abuse.
 - Instruct how to use the appliance.
 - Replace house fuses or correct house wiring.
 - Correct house plumbing, including drainage problems related to improper installation.
 - Clean or service air device in drain line.
2. Repair and/or replacement parts for failure of product if appliance is used for other than home/residential use.
3. Damage resulting from accident, fire, floods, acts of God, alteration, misuse, abuse, improper installation, or installation not in accordance with local electrical or plumbing codes.

4. Any shipping costs for parts during the limited warranty period.
5. Replacement parts or repair labor costs for units operated outside the continental United States.
6. Pickup and delivery. ASKO washers are designed to be repaired in the home.

In no event shall Asko Appliances Inc. be responsible for any incidental or consequential damages.

Some states will not allow the exclusion or limitation of incidental or consequential damages, so this exclusion or limitation may not apply to you. This warranty gives you specific legal rights and you may also have other rights which vary from state to state.

It is important to register your product warranty by logging onto www.askousa.com/customer-care/registration and filling out all required fields within 90 days from the date of purchase. After doing so, you will be e-mailed a certificate that will extend the original warranty for one additional year. If you do not have access to the internet, complete the warranty card included with the product and mail it to the address on the warranty card within 90 days of the date of purchase. Cosmetic damage must be reported to your dealer within five days from the date of purchase. After unpacking the washer, thoroughly check the unit for cosmetic damage.

For residential installations only	Asko Appliances Inc. will pay for:
Length of warranty Two-Year Full From date of purchase.	ASKO replacement parts and/or repair labor to correct defect in materials or workmanship. Service must be provided by an authorized ASKO service agent.
Third year full Complete your product warranty registration online at www.askousa.com/customer-care/registration within 90 days from the date of purchase to extend the original warranty one additional year. If you do not have access to the internet, complete the warranty card included with the product and mail it to the address on the warranty card within 90 days of the date of purchase.	ASKO replacement parts and/or repair labor to correct defect in materials or workmanship. Service must be performed by an authorized ASKO service agent.

Service and guarantee

For residential installations only	Asko Appliances Inc. will pay for:
Lifetime	ASKO replacement parts (labor cost not included) for the stainless steel tank if it exhibits a manufacturing defect such as cracking or rusting through. Service must be provided by an authorized ASKO service agent.
For non-residential installations One-year Full Warranty from date of purchase.	ASKO replacement parts and/or repair labor to correct defect in materials or workmanship. Service must be provided by an authorized ASKO service agent.

For warranty service, contact our Customer Care Center at the number listed below. Before calling for service or contacting Asko Appliances Inc. regarding a warranty issue, make a note of the model, type name, and serial number.

Write to us at:

Asko Appliances Inc.

P.O. Box 940609

Plano, TX 75094-0609

Or contact our Customer Care Center at

1-800-898-1879

www.askousa.com

Installation checklist

ASKO - DISHWASHER

Appliance Installation Checklist

- Remove packaging and check for cosmetic damages.
- Remove the information packets from inside the dishwasher.
- Attach any accessories as required by the installation. Fill strips, wooden door panels, accessory door panels...
- Attach the drain line using the largest section of the disposer boot allowable. Leave the high loop in place.
- Attach the PEX fill hose. Don't forget to use the O-ring.
- Plug the dishwasher into the wall.
- Turn on the water and check the fill line connections for leaks.
- Slide the unit into the cabinet and level the machine front to rear, and left to right.
- Mount the unit to the cabinet.
- Turn the power to the unit on and start a cycle. Make sure there are no drain leaks.
- Show the customer their warranty card, and help them locate the model and serial number on the unit.
- Leave all user books for consumer.

Own comments

Own comments

Own comments

Quick Guide

1. Load the baskets correctly!

Thanks to the Self Cleaning System you don't need to rinse the dishes, simply scrape large food particles and debris.

2. Dispensing dishwasher detergent

The detergent compartment has a small compartment for pre-wash and one for main wash.

3. Ensure that the spray arms can rotate freely

4. Turn on the main power switch

5. Close the door

6. Select the program and press start

For normally soiled dishes, use the Normal Wash program 150°F (65° C) and Normal drying.

To save more water and energy use Economy temperature and Economy dry.

Mini Program Guide

Programview					
Programs	Daily	Time	Heavy	Normal	Pots and Pans
Options	140°F	Selectable 30 to 180 minutes	130°F	150°F ∽	150°F ∽
Prewashes with SCS*	1 prewash	varying	2 prewashes	3 prewashes	3 prewashes
Mainwash ***	140°F	Max. 150°F	130°F	150°F	150°F
Number of rinses	2, last rinse 150°F	Max. 150°F	3, last rinse 140°F	3, last rinse 160°F	2, last rinse 160°F

Programview				
Programs	Delicate	Quick	Rinse & Dry	Rinse & Hold
Options	120°F	140°F ∽	--	--
Prewashes with SCS*	--	--	--	--
Mainwash ***	120°F	140°F	--	--
Number of rinses	2, last rinse 120°F	2, last rinse 140°F	1, last rinse 120°F	1 rinse

Item No.: 80 825 46 Rev. 01 We reserve the right to make changes.

Printed on environmentally-friendly paper that meets the demands of Friends of the Earth and the Swedish Society for Nature Conservation.