

This Owner's Manual is provided and hosted by [Appliance Factory Parts](#).



Black & Decker TRO420BC Owner's Manual

[Shop genuine replacement parts for Black & Decker
TRO420BC](#)



[Find Your Black & Decker Toaster Ovens Parts - Select From 63 Models](#)

----- Manual continues below -----



Toast-R-Oven™

Countertop Oven/Broiler

Four-rôtissoire de comptoir



Customer *Care* Line:

USA 1-800-231-9786

Accessories/Parts (USA)

1-800-738-0245

For **online customer service**
and to **register** your product, go to
www.prodprotect.com/applica

***Service* à la clientèle:**

Canada 1-800-231-9786

Accessoires/Pièces (Canada)

1-800-738-0245

Pour accéder au **service à la clientèle**
en ligne ou pour **inscrire** votre
produit en ligne, rendez-vous à
www.prodprotect.com/applica

Model

Modèle

TR0420C **TR0420BC**

IMPORTANT SAFEGUARDS

When using electrical appliances, basic safety precautions should always be followed, including the following:

- Read all instructions.
- Do not touch hot surfaces. Use handles or knobs.
- To protect against risk of electrical shock, do not immerse cord, plug or any non-removable parts of this oven in water or other liquid.
- Close supervision is necessary when any appliance is used by or near children.
- Unplug from outlet when not in use and before cleaning. Allow to cool before putting on or taking off parts.
- Do not operate any appliance with a damaged cord or plug or after the appliance malfunctions or is dropped or damaged in any manner. Return the appliance to the nearest authorized service facility for examination, repair, or electrical or mechanical adjustment. Or, call the appropriate toll-free number listed on the cover of this manual.
- The use of accessory attachments not recommended by the appliance manufacturer may cause injuries.
- Do not use outdoors.
- Do not let cord hang over edge of table or counter, or touch hot surfaces.
- Do not place on or near a hot gas or electrical burner, or in a heated oven.
- Extreme caution must be used when moving an appliance containing hot oil or other hot liquid.
- To disconnect, turn any control to OFF (0), then remove plug from wall outlet.
- Do not use appliance for other than intended use.
- Oversize foods or metal utensils must not be inserted in this appliance, as they may create a fire or risk of electric shock.
- A fire may occur if the toaster oven is covered or touching flammable material including curtains, draperies, walls and the like, when in operation. Do not store any item on top of unit when in operation.
- Do not clean with metal scouring pads. Pieces can break off the pad and touch electrical parts resulting in a risk of electric shock.
- Extreme caution should be used when using containers constructed of other than metal or glass.
- Do not store any material, other than manufacturer's recommended accessories, in this oven when not in use.

- ❑ Do not place any of the following materials in the oven: paper, cardboard, plastic wrap and the like.
- ❑ Do not cover crumb tray or any parts of the oven with metal foil. This will cause overheating of the oven.
- ❑ To stop toasting, broiling or baking turn the controls to OFF.
- ❑ Use extreme caution when removing tray or disposing of hot grease.

SAVE THESE INSTRUCTIONS.

This product is for household use only.

GROUNDING PLUG

As a safety feature, this product is equipped with a grounded plug, which will only fit into a three-prong outlet. Do not attempt to defeat this safety feature. Improper connection of the grounding conductor may result in the risk of electric shock. Consult a qualified electrician if you are in doubt as to whether the outlet is properly grounded.

ELECTRICAL CORD

- a) A short power-supply cord is provided to reduce the risk resulting from becoming entangled in or tripping over a longer cord.
- b) Longer extension cords are available and may be used if care is exercised in their use.
- c) If an extension cord is used,
 - 1) The marked electrical rating of the cord set or extension cord should be at least as great as the electrical rating of the appliance, and
 - 2) The cord should be arranged so that it will not drape over the countertop or tabletop where it can be pulled on by children or tripped over unintentionally.

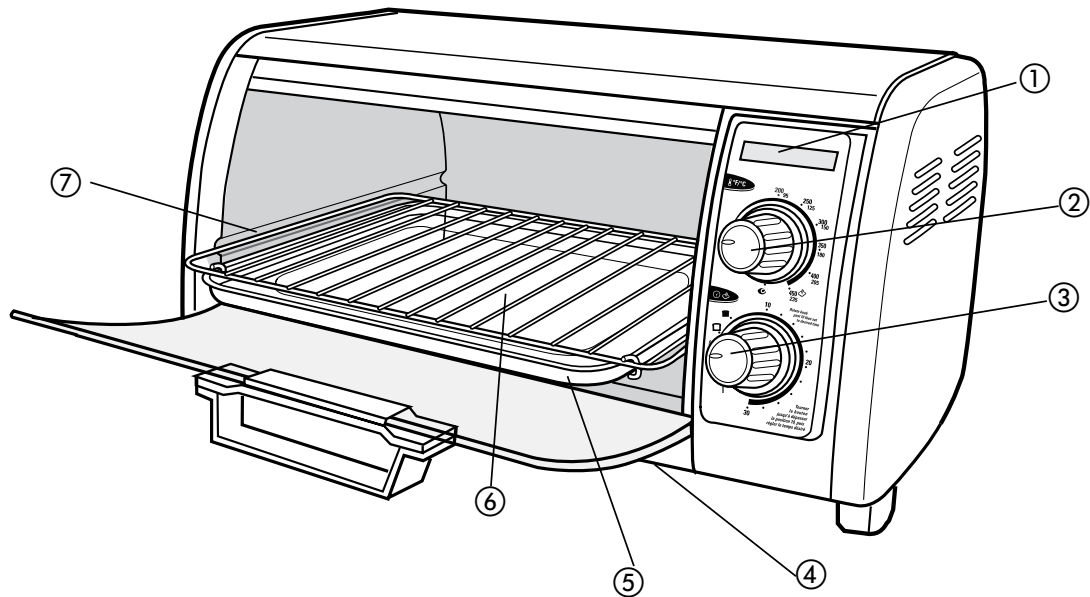
If the appliance is of the grounded type, the extension cord should be a grounding-type 3-wire cord.

TAMPER-RESISTANT SCREW

Warning: This appliance is equipped with a tamper-resistant screw to prevent removal of the outer cover. To reduce the risk of fire or electric shock, do not attempt to remove the outer cover. There are no user-serviceable parts inside. Repair should be done only by authorized service personnel.

Note: If the power supply cord is damaged, it should be replaced by qualified personnel; in Latin America, by an authorized service center.

Product may vary slightly from what is illustrated.



A

1. Power indicator light
- † 2. Temperature selector (Part #TR0420C-01)
- † 3. TIMER/TOAST (☹ ☺) selector with Stay On setting (I) (Part #TR0420C-02)
4. Swing-down crumb tray (under unit)
- † 5. Bake pan/drip tray (Part #TR0420C-03)
- † 6. Slide rack (Part #TR0420C-04)
7. Rack support rails

Note: † indicates consumer replaceable/removable parts

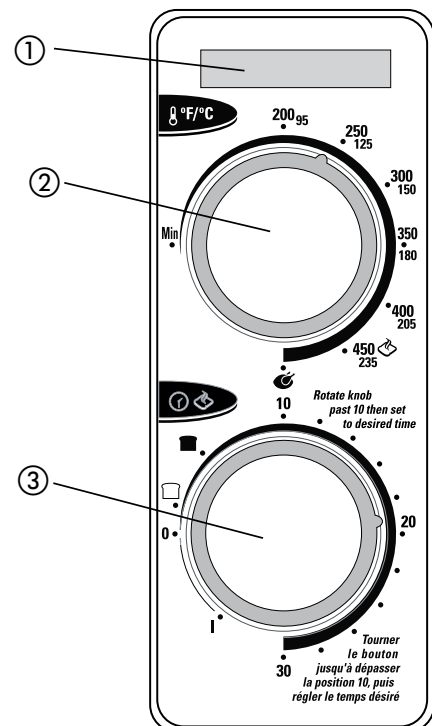
CONTROL PANEL

1. Power indicator light
2. Temperature selector
3. TOAST/TIMER (☹ ☺) selector with Stay On setting (I)

Important:
When using the TIMER/
TOAST ☹ ☺ function,
always turn the dial past
10 and then turn back or
forward to desired setting.


B

4



How to Use

This product is for household use only.


	<h2>CAUTION</h2>
	<p>THIS OVEN GETS HOT. WHEN IN USE, ALWAYS USE OVEN MITTS OR POT HOLDERS WHEN TOUCHING ANY OUTER OR INNER SURFACE OF THE OVEN.</p>

GETTING STARTED

- Remove packing materials and any stickers.
- Remove the slide rack and bake pan/drip tray from oven.
- Wash in sudsy water, rinse and dry with a cloth or paper towel.
- Replace slide rack in oven.
- Select a location for the unit. Do not place unit under cabinets or too close to the wall to allow heat to flow without damaging counter space.
- Plug unit into electrical outlet.

TOAST FUNCTION

Note: It is not necessary to preheat the oven for toasting.

1. Set temperature selector to TOAST  position.
2. Open oven door.
3. Insert slide rack.
4. Place the toast directly on the slide rack and close the door.
5. Set the toast selector as desired. For best results, select the medium setting for your first cycle, then adjust lighter or darker to suit your taste. The Power indicator light comes on and stays on during the toasting cycle. When toasting is done, the signal bell sounds, the oven automatically shuts off and the indicator light goes off.

Important: When using the TIMER/TOAST   function, always turn the dial past 10 and then turn back or forward to desired setting.

6. Open oven door and using oven mitt or pot holder, slide out rack to remove toast.

Useful Tips:

- You must turn off (0) the toast shade selector if you want to discontinue toasting.
- When making more toast immediately after one toasting cycle, set the toast shade selector to a slightly lighter setting.
- For best results, when making consecutive batches of toast, allow a short cool down period between toasting cycles.

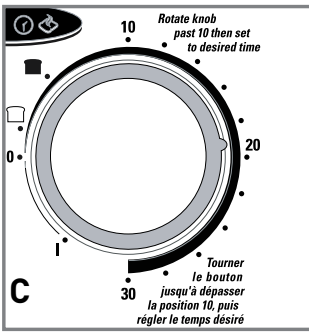
BAKE FUNCTION

1. Consult the Baking Guide (page 6) for the type of food you want to cook.

Note: For best results, when baking or cooking, always preheat the oven for at least 8 minutes at the desired temperature setting.

2. Turn the temperature selector to the desired temperature setting.

Important: You must set the timer or select Stay On (I) for the oven to function.

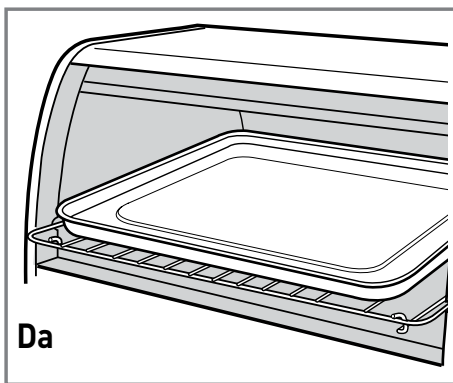


3. Set the timer to desired number of minutes, including preheat time, or to Stay On (I) (C).

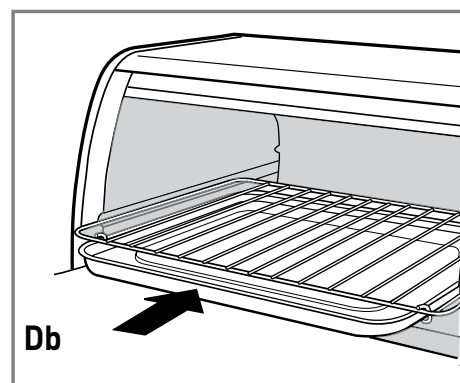
Important: When using the TIMER/TOAST function, always turn the dial past 10 and then turn back or forward to desired setting.

Tip: Set the timer to the Stay On (I) setting, if you want to control cooking time or need to cook your food longer than 30 minutes.

- The power indicator light comes on and stays on during cooking cycle.
4. You can cook your food two ways:
- In the bake pan placed on the slide rack (Da), OR
 - Directly on the slide rack with the bake pan inserted on the rack support rails underneath the slide rack (Db) to catch drippings.



OR



Note: Be sure the top edge of the food or container is at least 1½" (3.81 cm) away from the upper heating elements.


5. Close oven door.
6. Cook food according to recipe or package instructions and check at minimum time to see if it is done.
7. Once cooking cycle is finished, the signal bell sounds. Turn the TIMER/TOAST function selector to the off (0) position. The power indicator light goes off.
8. Open oven door and using oven mitt or pot holder, slide out rack to remove food.

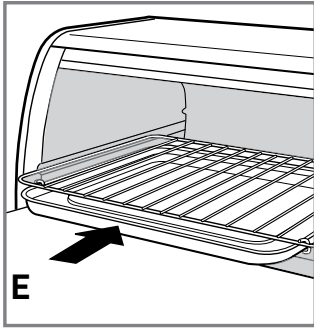
BAKING GUIDE

FOOD	AMOUNT	TEMPERATURE/TIME	PROCEDURE
Chicken pieces	to fit bake pan (1- 4 pieces)	375 °F (191 °C) 40-55 minutes	Bake until chicken registers 180 °F (82 °C) on meat thermometer.
Ham, lamb or pork chops, Fish fillet or steak	to fit bake pan (1-4 chops or steaks)	325 °F (163 °C) or follow favorite recipe	Bake until done as desired.
Cookies (recipe or refrigerated slice & bake, drop or pre-cut)	4-6 cookies	Follow package or recipe directions	Arrange in bake pan and place on top of slide rack. Bake until done and browned as desired.
Biscuits, dinner rolls (recipe or refrigerated)	to fit bake pan	Follow package or recipe directions	Arrange in bake pan and place on top of slide rack. Bake until done and browned as desired.
White or sweet potatoes	1-6 medium potatoes	400 °F (204 °C) 1- 1-1/4 hours	Wash and pierce potatoes. Place directly on slide rack.
Frozen French fries, onion rings, other frozen (breaded and fried) foods	single layer to fit bake pan	Follow package directions	Arrange in bake pan and place on top of slide rack. Turn once during baking. Check frequently to prevent over browning.
Individual frozen pizza		Follow package directions	Place pizza directly on slide rack for a crispy crust, or in bake pan for a softer crust.

BROIL FUNCTION

Note: When broiling, preheat oven for 5 minutes.



1. Use the Broiling Guide for cooking times.
2. Turn the temperature selector to Broil .



3. Open oven door and using the bake pan as a drip tray, insert it under the slide rack on the rack support rails **(E)**.

Important: You must set the timer or select Stay On I for the oven to function.



4. Set the timer to desired number of minutes including preheat time or to Stay On (**I**) if you want to control cooking time or need to cook your food longer than 30 minutes.

Important: When using the TIMER/TOAST   function, always turn the dial past 10 and then turn back or forward to desired setting.

5. Place food on the slide rack.


Note: Be sure the top edge of the food or container is at least 1½" (3.81 cm) away from the upper heating elements.

Important: Food should not extend beyond the edges of the bake pan/drip tray to avoid drippings from falling onto the heating elements.

6. Cook food according to recipe or package instructions and check at minimum time to see if it is done.
7. When finished broiling, the signal bell sounds. Turn the TIMER/ TOAST   selector to the off (**0**) position. The power indicator light goes off.
8. Using an oven mitt or pot holder, slide out broiling rack together with bake pan to remove food.

BROILING GUIDE

Important: Preheat for 5 minutes.

Note: When broiling foods, slide the bake pan tray underneath the slide rack using the rack support rails. Turn temperature selector to Broil . Broiling times are approximate. For best results do not undercook ground beef, fish or poultry.

FOOD	AMOUNT	TIME	PROCEDURE
Chicken pieces	1-6 pieces	30-40 minutes	Arrange pieces skin-side down; turn after 15-25 minutes. Continue broiling until 180 °F (82 °C) on meat thermometer, or juices run clear.
Frankfurters	1-8 frankfurters	8-12 minutes	For uniform browning, turn frequently.
Hamburgers	1-6 (1/4 lb. (0,11 kg) each)	12-18 minutes	Turn after 8 minutes; continue broiling until 160 °F (71 °C) on meat thermometer, or done as desired.
Beef steaks	1-2 (3/4" (19mm) thick)	18-25 minutes	Turn after 10 minutes; continue broiling until 160 °F (71 °C) on meat thermometer, or done as desired.
Pork chops	1-6 (3/4" (19mm) thick)	20-30 minutes	Turn after 12 minutes; continue broiling until 160 °F (71 °C) on meat thermometer.
Fish steaks	1-6 (1" (26mm) thick)	10-18 minutes	Broil until fish flakes easily with a fork or 145 °F (63 °C) on meat thermometer.
Open-faced cheese sandwich	1-4 slices	7-10 minutes	For crispier sandwich, toast bread first. Top bread with tomato and sliced cheese, if desired. Broil until tomato is hot and cheese is melted.

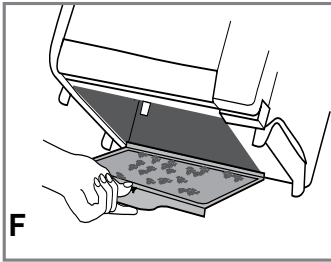
Care and Cleaning

This product contains no user serviceable parts. Refer service to qualified service personnel.

CLEANING YOUR OVEN

Important: Before cleaning any part, be sure the oven is off, unplugged and cool. Always dry parts thoroughly before using oven after cleaning.

1. Clean the glass door with a sponge, soft cloth or nylon pad and sudsy water. Do not use a spray glass cleaner.
2. To remove the slide rack, open the door, pull the rack forward and out. Wash the slide rack in sudsy water or in a dishwasher. To remove stubborn spots, use a polyester or nylon pad.
3. Wash the bake pan in sudsy water. To minimize scratching, use a polyester or nylon pad.



CRUMB TRAY

1. To open crumb tray, tip back oven, pull the crumb tray knob forward then down **(F)**.
2. Wipe with a dampened cloth or paper toweling and dry thoroughly.
3. To close, pull the crumb tray knob forward, swing the crumb tray closed, and then push knob in to lock into place before operating the oven.

EXTERIOR SURFACES

Important: The oven top surface gets hot, be sure the oven has cooled completely before cleaning.

Wipe the top and exterior walls with a damp cloth or sponge. Dry thoroughly.

COOKING CONTAINERS

Metal, ovenproof glass or ceramic bakeware without glass lids can be used in your oven. Follow manufacturer's instructions. Be sure the top edge of the container is at least 1½" (3.81 cm) away from the upper heating elements.

TROUBLESHOOTING

PROBLEM	POSSIBLE CAUSE	SOLUTION
Unit is not heating or stops heating.	Electrical outlet is not working or oven is unplugged.	Check to make sure outlet is working. Both the temperature control and the timer must be set in order for the oven to function.
Second toasting is too dark.	Setting on toast is too dark.	If doing repeated toasting in the oven, select a shade slightly lighter than the previous setting.
Moisture forms on the inside of the glass door during toasting.	The amount of moisture differs in different products, whether bread, bagels or frozen pastries.	The moisture that forms on the oven door is quite common and will usually disappear during the toasting cycle. Since the oven is closed the moisture cannot evaporate as it would in a traditional toaster.
Food is overcooked or undercooked.	Temperature and cook time may need to be adjusted.	As your a toaster oven is much smaller than a regular oven, it may heat up faster and cook faster. Try lowering the temperature 25 °F from the suggested temperature in a recipe or on a label.
There is burnt food odor or smoking when oven is being used.	There are remnants of food in crumb tray or on the walls of the oven.	Refer to the directions in the CARE AND CLEANING section of this Use & Care booklet. Make sure all parts of the oven, bake pan and rack are clean.
Heating elements do not seem to be on.	The heating elements cycle on and off during baking.	Check the oven to make certain the function desired is being used. On broil, only the top element is on.

IMPORTANTES MISES EN GARDE

Lorsqu'on utilise un appareil électrique, il faut toujours respecter certaines règles de sécurité fondamentales, notamment les suivantes.

- Lire toutes les directives.
- Ne pas toucher aux surfaces chaudes. Utiliser les poignées et les boutons.
- Afin d'éviter les risques de secousses électriques, ne pas immerger le cordon, la fiche ni toute autre pièce non amovible de l'appareil.
- Exercer une étroite surveillance lorsqu'on utilise l'appareil près d'un enfant ou lorsque ce dernier s'en sert.
- Débrancher l'appareil lorsqu'on ne s'en sert pas et avant de le nettoyer. Le laisser refroidir avant d'y ajouter ou d'en retirer un accessoire.
- Ne pas utiliser un appareil dont la fiche ou le cordon est abîmé, qui présente un problème de fonctionnement, qui est tombé par terre ou qui est endommagé. Retourner le produit au centre de service de la région pour qu'il y soit examiné, réparé ou réglé électriquement ou mécaniquement. Ou composer le numéro sans frais approprié indiqué sur la page couverture du présent guide.
- L'utilisation d'accessoires non recommandés par le fabricant présente des risques de blessures.
- Ne pas utiliser l'appareil à l'extérieur.
- Ne pas laisser pendre le cordon d'une table ou d'un comptoir, ni le laisser entrer en contact avec une surface chaude.
- Ne pas placer près ou sur une cuisinière au gaz ou à l'électricité chaude, ni dans un four réchauffé.
- Déplacer avec une extrême prudence un appareil renfermant de l'huile chaude ou tout autre liquide chaud.
- Mettre toutes les commandes à la position d'arrêt (OFF) avant de brancher ou de débrancher l'appareil.
- Utiliser l'appareil seulement aux fins qu'il est prévu.
- Ne pas introduire dans l'appareil des aliments grandes dimensions ni des ustensiles en métal qui pourraient provoquer des risques d'incendies ou de secousses électriques.
- Il y a risque d'incendie lorsque le grille-pain est recouvert de matériaux inflammables comme des rideaux, des draperies ou des revêtements muraux, ou lorsqu'il entre en contact avec ceux-ci alors qu'il fonctionne. Ne rien ranger sur l'appareil en service.

- Ne pas nettoyer l'appareil avec des tampons métalliques abrasifs. Ces derniers peuvent s'effriter et entrer en contact avec les composants électriques de l'appareil, ce qui présente un risque de secousses électriques.
- Bien surveiller lorsqu'on utilise des plats qui ne sont pas en métal ni en verre.
- Ne rien ranger d'autre que les accessoires recommandés par le fabricant dans l'appareil lorsqu'il ne sert pas.
- Ne pas placer l'un des matériaux suivants dans le four : du papier, du carton, de la pellicule plastique et d'autres matériaux du genre.
- Éviter de recouvrir le plateau à miettes ou toute autre pièce de l'appareil de papier métallique car cela présente des risques de surchauffe.
- Pour arrêter le grillage, le rôtissage ou la cuisson, régler les commandes à la position d'arrêt (OFF).
- Faire preuve d'une extrême prudence lorsqu'on retire le plateau ou qu'on jette de la graisse chaude.

CONSERVER CES INSTRUCTIONS.

L'appareil est conçu pour une utilisation domestique seulement.

FICHE MISE À LA TERRE

Par mesure de sécurité, le produit comporte une fiche mise à la terre qui n'entre que dans une prise à trois trous. Il ne faut pas neutraliser ce dispositif de sécurité. La mauvaise connexion du conducteur de terre présente des risques de secousses électriques. Communiquer avec un électricien certifié lorsqu'on se demande si la prise est bien mise à la terre.

CORDON ÉLECTRIQUE

- a) Le cordon d'alimentation de l'appareil est court afin de minimiser les risques d'enchevêtrement ou de trébuchement.
- b) Il existe des cordons d'alimentation ou de rallonge plus longs et il faut s'en servir avec prudence.
- c) Lorsqu'on utilise un cordon de rallonge, il faut s'assurer que :
 - 1) la tension nominale du cordon d'alimentation ou de rallonge soit au moins égale à celle de l'appareil, et que;
 - 2) le cordon soit placé de sorte qu'il ne soit pas étalé sur le comptoir ou la table d'où des enfants pourraient le tirer, ni placé de manière à provoquer un trébuchement par inadvertance.

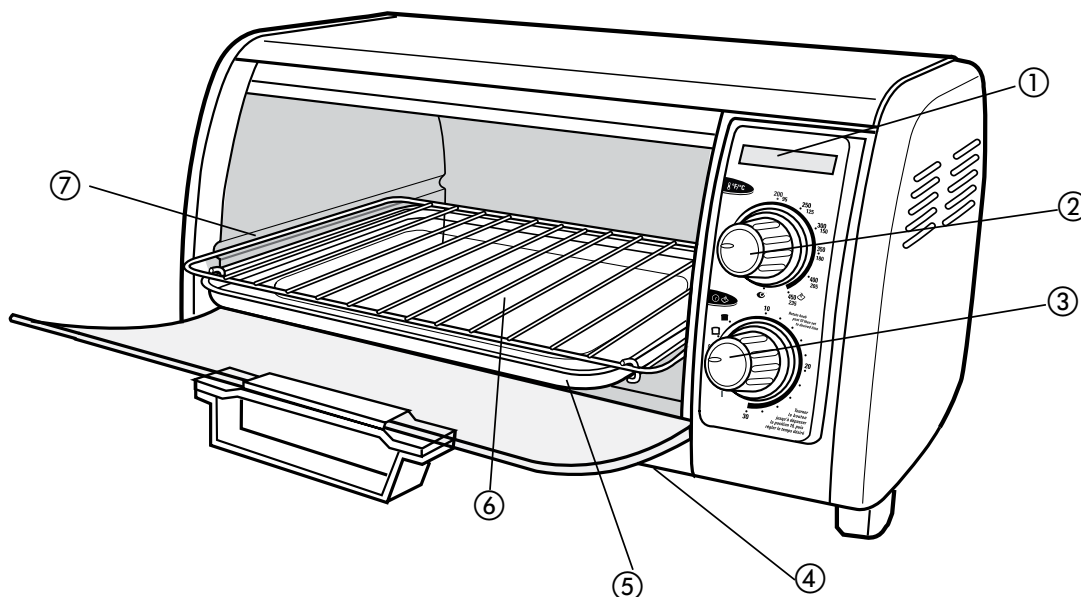
Lorsque l'appareil est de type mis à la terre, il faut utiliser un cordon de rallonge mis à la terre à trois broches.

VIS INDESSERRABLE



Avertissement : L'appareil est doté d'une vis indesserrable empêchant l'enlèvement du couvercle extérieur. Pour réduire les risques d'incendie ou de secousses électriques, ne pas tenter de retirer le couvercle extérieur. L'utilisateur ne peut pas remplacer les pièces de l'appareil. En confier la réparation seulement au personnel des centres de service autorisés.

Note : Lorsque le cordon d'alimentation est endommagé, il faut le faire remplacer par du personnel qualifié ou, en Amérique latine, par le personnel d'un centre de service autorisé.

Le produit peut différer légèrement de celui illustré.







A

1. Témoin de fonctionnement
- † 2. Sélecteur de température (pièce n° TR0420C-01)
- † 3. Sélecteur de minuterie/grillage ( ) avec réglage de fonctionnement continu (|) (pièce n° TR0420C-02)
4. Plateau à miettes basculant (sous l'appareil)
- † 5. Plat de cuisson/lèche frite (pièce n° TR0420C-03)
- † 6. Grille coulissante (pièce n° TR0420C-04)
7. Rails de soutien

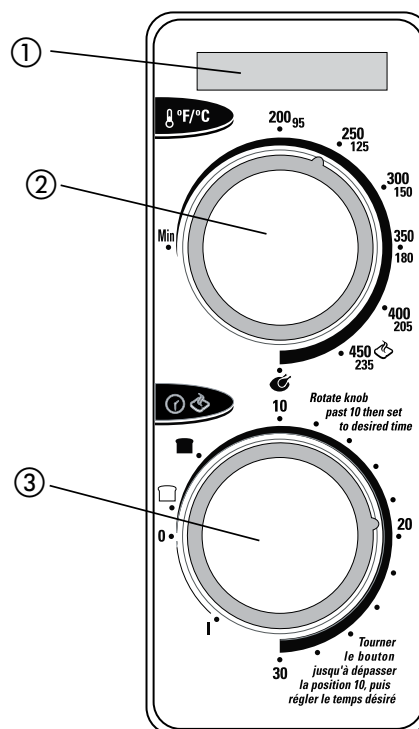
Remarque : † indique que la pièce est remplaçable par l'utilisateur/amovible

PANNEAU DE COMMANDE

1. Témoin de fonctionnement
2. Sélecteur de température
3. Sélecteur de minuterie/grillage ( ) avec réglage de fonctionnement continu (|)

Important :
Lorsque vous utilisez la fonction minuterie/grillage   , toujours tourner le sélecteur de façon à dépasser la marque 10, puis le tourner de nouveau jusqu'au réglage souhaité.

B



Utilisation

L'appareil est conçu pour une utilisation domestique seulement.


	ATTENTION
	LE FOUR DEVIENT CHAUD LORSQU'IL EST EN MARCHÉ. TOUJOURS UTILISER DES MITAINES DE CUISINE OU DES POIGNÉES POUR TOUCHER LES SURFACES EXTÉRIEURES OU INTÉRIEURES DU FOUR.



PRÉPARATIFS

- Retirer tous les matériaux d'emballage et toute étiquette.
- Sortir la grille et le plat du four.
- Les laver dans de l'eau savonneuse, les rincer et les assécher à l'aide d'un chiffon ou d'un essuie-tout.
- Remettre la grille en place dans le four.
- Choisir un emplacement pour l'appareil. Celui-ci ne doit pas se trouver sous des armoires ni trop près d'un mur afin de laisser la chaleur circuler sans endommager l'espace de comptoir.
- Brancher l'appareil dans une prise de courant.

GRILLAGE

Il n'est pas nécessaire de réchauffer l'appareil pour le grillage.

1. S'assurer que le sélecteur de température se trouve à la position de grillage .
2. Ouvrir la porte du four.
3. Insérer la grille coulissante.
4. Déposer la tranche de pain directement sur la grille coulissante et refermer la porte.
5. Régler le sélecteur de grillage au degré voulu. Afin d'optimiser les résultats, choisir le réglage moyen pour le premier cycle, puis le régler au goût. Le témoin de fonctionnement s'allume et il reste allumé pendant le cycle de grillage. À la fin du cycle de grillage, un timbre se fait entendre, le four s'éteint automatiquement et le témoin s'éteint.

Important : Lorsque vous utilisez la fonction minuterie/grillage  , toujours tourner le sélecteur de façon à dépasser la marque 10, puis le tourner de nouveau jusqu'au réglage souhaité.

6. Ouvrir la porte du four et, à l'aide d'une poignée ou de mitaines isolantes, faire glisser la grille hors du four afin de retirer l'aliment.

Conseils utiles

- Pour arrêter le cycle de grillage, déplacer le sélecteur du degré de grillage à la position d'arrêt (**0**).

- Quand on fait d'autres rôties immédiatement après un cycle de grillage, baisser légèrement le sélecteur de degré de grillage.
- Pour obtenir les meilleurs résultats lorsque vous procédez à des cycles d'utilisation consécutifs, permettez à l'appareil de refroidir brièvement entre chaque cycle de grillage.

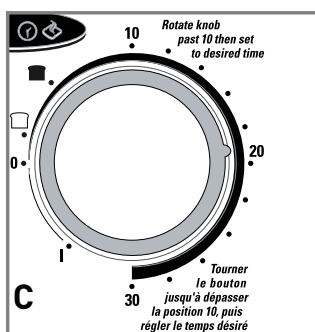
CUISSON

1. Consulter le guide plus bas pour l'aliment à cuire (page 16).

Note : Afin d'optimiser les résultats pour la cuisson, toujours réchauffer le four pendant 8 minutes à la température voulue.

2. Régler le sélecteur à la température voulue.

Important : Il faut régler la minuterie ou choisir la position de fonctionnement continu (I) pour activer le four.

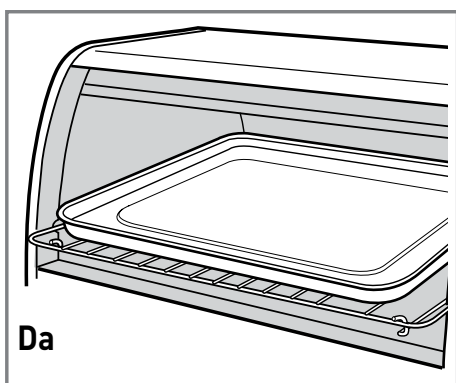


3. Régler la minuterie à la durée voulue (comprenant le temps de réchauffage) ou choisir la position de fonctionnement continu (I) (C).

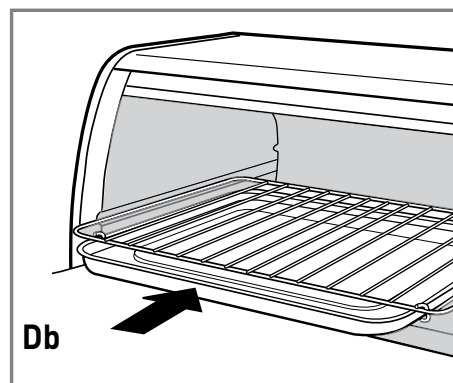
Important : Lorsque vous utilisez la fonction minuterie/grillage (I) (C), toujours tourner le sélecteur de façon à dépasser la marque 10, puis le tourner de nouveau jusqu'au réglage souhaité.

Conseil pratique : Si vous désirez contrôler la durée de cuisson ou cuire vos aliments plus de 30 minutes, régler la minuterie au mode fonctionnement continu (I).



- Le témoin de fonctionnement s'allume et il reste allumé pendant le cycle de cuisson.
 - Les éléments chauffants s'allument et s'éteignent pour maintenir la température.
4. On peut cuire les aliments de deux façons :
- dans le plat de cuisson déposé directement sur la grille (Da) OU;
 - directement sur la grille en se servant du plat de cuisson comme lèchefrite sous la grille coulissante en l'insérant dans les rails de soutien (Db).



OU



Note : S'assurer que le dessus de l'aliment se trouve à au moins 3,81 cm (1½ po) des éléments supérieurs.


5. Refermer la porte du four.
6. Faire cuire selon les directives de la recette ou de l'emballage de l'aliment et vérifier la cuisson au bout de la durée minimale.
7. Une fois le cycle de cuisson terminé, la clochette se fait entendre. Mettre le sélecteur de minuterie/grillage   à la position d'arrêt (**0**). Le témoin de fonctionnement s'éteint.
8. Ouvrir la porte du four et, à l'aide d'une poignée ou de mitaines isolantes, faire glisser la grille hors de l'appareil afin de retirer l'aliment.

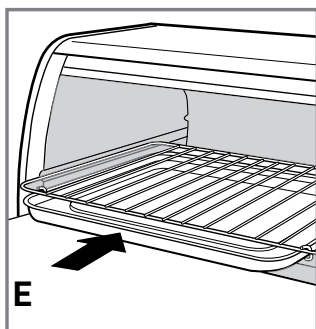
GUIDE DE CUISSON

ALIMENT	QUANTITÉ	TEMPÉRATURE/ DURÉE	DIRECTIVES
Morceaux de poulet	Capacité du plat (de 1 à 4 morceaux)	191 °C (375 °F) De 40 à 55 min	Faire cuire jusqu'à ce que la température de le poulet atteigne 82 °C (180 °F) sur un thermomètre à viande
Jambon, côtelettes de porc ou d'agneau, darnes ou filets de poisson	Capacité du plat de cuisson (de 1 à 4 côtelettes ou darnes)	163 °C (325 °F)	Cuire jusqu'à la cuisson voulue.
Biscuits (recettes ou réfrigérés)	De 4 à 6 biscuits	suivre les instructions de la recette ou de l'emballage	Placer dans le plat de cuisson sur la grille. Cuire jusqu'à ce qu'ils soient cuits et dorés au goût.
Biscuits, petits pains mollets (recettes ou réfrigérés)	Capacité du plat de cuisson	suivre les instructions de la recette ou de l'emballage	Placer dans le plat de cuisson sur la grille. Cuire jusqu'à ce qu'ils soient cuits et dorés au goût.
Pommes de terre ou patates sucrées	De 1 à 6 pommes de terre moyennes	204 °C (400 °F) De 60 à 75 min	Laver, percer les pommes de terre et placer directement sur la grille.
Frites congelées, rondelles d'oignons et autres articles panés surgelés	Capacité du plat de cuisson	suivre les instructions sur l'emballage	Placer dans le plat de cuisson sur la grille. Tourner une fois pendant la cuisson. Vérifier souvent pour empêcher de trop dorer.
Pizza surgelée		suivre les instructions sur l'emballage	Placer la pizza directement sur la grille pour obtenir une croûte croustillante ou dans le plat de cuisson pour obtenir un croûte moelleuse.

ROTÎSSAGE

Nota : Pour griller les aliments, préchauffer le four pendant cinq minutes.

1. Consulter le guide de rôtissage pour déterminer la durée de cuisson (page 18).
2. Régler le sélecteur de température au cycle de rôtissage .



3. Ouvrir la porte du four et se servir du plat comme lèchefrite en l'insérant sous la grille coulissante dans les rails de soutien de la grille **(E)**.

Important : Il faut régler la minuterie ou choisir la position de fonctionnement continu (I) pour activer le four.



4. Régler la minuterie à la durée voulue ou choisir la position de fonctionnement continu (I), lorsqu'on veut décider du temps de cuisson ou lorsqu'il faut prolonger le temps de cuisson au-delà de 30 minutes.

Important : Lorsque vous utilisez la fonction minuterie/grillage   , toujours tourner le sélecteur de façon à dépasser la marque 10, puis le tourner de nouveau jusqu'au réglage souhaité.

5. Déposer l'aliment sur la grille coulissante/de rôtissage.


Important : L'aliment ne doit pas dépasser les rebords du plat de cuisson afin d'éviter que les jus de cuisson ne tombent sur les éléments.

Note : S'assurer que le dessus de l'aliment se trouve à au moins 3,81 cm (1½ po) des éléments supérieurs.

6. Faire cuire selon les directives de la recette ou de l'emballage de l'aliment et vérifier la cuisson au bout de la durée minimale.
7. Une fois le rôtissage terminé, la clochette se fait entendre. Mettre le sélecteur de minuterie/grillage   à la position d'arrêt (0). Le témoin de fonctionnement s'éteint
8. Utiliser une poignée ou des mitaines et retirer la grille coulissante avec le plat de cuisson, afin de retirer l'aliment.

GUIDE DE RÔTISSAGE

Important : Préchauffer le four pendant cinq minutes.

Note : Lors du RÔTISSAGE, faire glisser le plat de cuisson sous la grille en se servant des rails de soutien. Régler le sélecteur de température à la position de rôtissage . Les durées de rôtissage indiquées sont approximatives. Afin d'optimiser les résultats, bien cuire le boeuf haché, le poisson et la volaille.

ALIMENT	QUANTITÉ	DURÉE	DIRECTIVES
Morceaux de poulet	De 1 à 6	De 30 à 40 minutes	Placer les morceaux avec peau dessous et tourner après 15 à 25 minutes. Continuer la cuisson jusqu'à 82 °C (180 °F) ou jusqu'à ce que les jus de cuisson soient translucents.
Saucisses fumées	De 1 à 8	De 8 à 12 minutes	Tourner souvent pour faire dorer de façon uniforme.
Hambourgeois	(0,11 kg/0,25 lb chacun)	De 12 à 18 minutes	Tourner après 8 minutes, continuer à faire cuire jusqu'à ce que le thermomètre à viande atteigne 71 °C (160 °F) ou que l'aliment soit cuit au goût.
Bifteck	De 1 à 2 (19 mm/0,75 po d'épaisseur)	De 18 à 25 minutes	Tourner après 10 minutes, continuer à faire cuire jusqu'à ce que le thermomètre à viande atteigne 71 °C (160 °F) ou que l'aliment soit cuit au goût.
Côtelettes de porc	De 1 à 6 (19mm) (3/4 po d'épaisseur)	De 20 à 30 minutes	Tourner après 12 minutes, continuer de faire cuire jusqu'à ce que le thermomètre à viande atteigne 71 °C (160 °F).
Darne de poisson	De 1 à 6 (26 mm/1 po d'épaisseur)	De 10 à 18 minutes	Faire cuire jusqu'à ce que le poisson se détache facilement à la fourchette ou jusqu'à ce que le thermomètre à viande atteigne 63 °C (145 °F).
Croque-monsieur	De 1 à 4 tranches	De 7 à 10 minutes	Faire griller le pain d'abord pour obtenir un sandwich plus croustillant. Ajouter du pain et des au fromage tranches de tomate et de fromage au goût. Faire griller jusqu'à ce que la tomate soit chaude et que le fromage soit fondu.

Entretien et nettoyage

L'utilisateur ne peut entretenir aucune composante du produit. En confier l'entretien à du personnel qualifié.

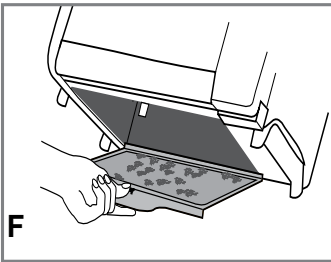
NETTOYAGE DU FOUR

Important : Avant de procéder au nettoyage, s'assurer que le four est éteint, débranché et froid. Toujours bien essuyer les pièces avant d'utiliser l'appareil après nettoyage.

1. Nettoyer la porte en verre avec une éponge, un chiffon doux ou un tampon en nylon, et de l'eau savonneuse. Ne pas utiliser de nettoyant à vitres en vaporisateur.
2. Laver la grille dans de l'eau chaude savonneuse ou au lave-vaisselle. Pour enlever les taches tenaces, utiliser un tampon en nylon ou en polyester.
3. Laver le plat de cuisson dans de l'eau chaude savonneuse. Utiliser un tampon en nylon ou en polyester pour minimiser les égratignures.

PLATEAU À MIETTES

Note : La porte du four doit être fermée afin de pouvoir retirer le plateau à miettes.



1. Pour ouvrir le plateau à miettes, il faut basculer l'appareil vers l'arrière, tirer sur le bouton du plateau à miettes et l'abaisser **(F)**.
2. Essuyer le plateau avec un chiffon ou un essuie-tout humide et bien l'assécher.
3. Pour le refermer, tirer le bouton vers l'avant et refermer le plateau à miettes, puis enfoncer le bouton pour le verrouiller en place avant d'utiliser le four de nouveau.

SURFACES EXTÉRIEURES

Important : Le dessus de l'appareil devient brûlant, s'assurer que le four est complètement refroidi avant de le nettoyer.

Essuyer le dessus et les parois extérieures de l'appareil avec un chiffon ou une éponge humide. Bien assécher.

RÉCIPIENTS POUR LA CUISSON

Des plats de cuisson en métal, en verre ou en céramique résistant au four sans couvercles en verre peuvent servir dans le four. Respecter les consignes des fabricants. S'assurer que le dessus de l'aliment se trouve à au moins 3,81 cm (1½ po) des éléments supérieurs.

DÉPANNAGE

PROBLÈME	CAUSE POSSIBLE	SOLUTION
L'appareil ne chauffe pas ou cesse de chauffer.	La prise de courant est défectueuse ou le four n'est pas branché.	S'assurer que la prise de courant fonctionne bien. Le régulateur de température et la minuterie doivent être réglés pour que le four fonctionne.
Le deuxième grillage est trop foncé.	Le four est réglé à un degré de grillage trop foncé.	Si vous effectuez des grillages répétés dans le four, sélectionner un degré de grillage un peu moins élevé que le réglage précédent.
Une buée se forme à l'intérieur de la porte en verre pendant le grillage.	La quantité d'humidité présente varie selon les produits, que ce soit du pain, des bagels ou des pâtisseries congelées.	La formation de buée sur la porte du four est assez courante et disparaît généralement pendant le cycle de grillage. Comme le four est fermé, l'humidité ne peut pas s'évaporer comme elle le fait dans un grille pain.
Les aliments sont trop ou pas assez cuits.	La température et le temps de cuisson doivent possiblement être réglés.	Comme un grille pain four est beaucoup plus petit qu'un four ordinaire, il peut réchauffer et cuire plus rapidement. Essayer de diminuer la température suggérée dans une recette ou sur une étiquette de 25 °F.
Il y a une odeur d'aliments brûlés ou de la fumée lorsque le four fonctionne.	Il peut y avoir des restes d'aliments dans le plateau à miettes ou sur les parois du four.	Voir les directives à la section ENTRETIEN ET NETTOYAGE du guide d'utilisation et d'entretien. S'assurer que toutes les pièces du four, la plaque de cuisson et la grille sont propres.
Les éléments chauffants ne semblent pas fonctionner.	Les éléments chauffants s'allument et s'éteignent pendant la cuisson.	Vérifier le four afin de s'assurer qu'il est réglé à la fonction désirée. Pendant le grillage, seul l'élément du haut fonctionne.

NEED HELP?

For service, repair or any questions regarding your appliance, call the appropriate 800 number on cover of this book. Please **DO NOT** return the product to the place of purchase. Also, please **DO NOT** mail product back to manufacturer, nor bring it to a service center. You may also want to consult the website listed on the cover of this manual.

Two-Year Limited Warranty

(Applies only in the United States and Canada)

What does it cover?

- Any defect in material or workmanship provided; however, Applica's liability will not exceed the purchase price of product.

For how long?

- Two years after date of purchase.

What will we do to help you?

- Provide you with a reasonably similar replacement product that is either new or factory refurbished.

How do you get service?


- Save your receipt as proof of date of sale.
- Visit the online service website at www.prodprotect.com/applica, or call toll-free 1-800-231-9786, for general warranty service.
- If you need parts or accessories, please call 1-800-738-0245.

What does your warranty not cover?

- Damage from commercial use
- Damage from misuse, abuse or neglect
- Products that have been modified in any way
- Products used or serviced outside the country of purchase
- Glass parts and other accessory items that are packed with the unit
- Shipping and handling costs associated with the replacement of the unit
- Consequential or incidental damages (Please note, however, that some states do not allow the exclusion or limitation of consequential or incidental damages, so this limitation may not apply to you.)

How does state law relate to this warranty?

- This warranty gives you specific legal rights. You may also have other rights that vary from state to state or province to province.

 **BLACK&DECKER** is a registered trademark of The Black & Decker Corporation,
Towson, Maryland, USA

Made in People's Republic of China
Printed in People's Republic of China

BESOIN D'AIDE?

Pour communiquer avec les services d'entretien ou de réparation, ou pour adresser toute question relative au produit, composer le numéro sans frais approprié indiqué sur la page couverture. Ne pas retourner le produit où il a été acheté. Ne pas poster le produit au fabricant ni le porter dans un centre de service. On peut également consulter le site web indiqué sur la page couverture.

Garantie limitée de deux ans

(Valable seulement aux États-Unis et au Canada)

Quelle est la couverture?

- Tout défaut de main-d'oeuvre ou de matériau; toutefois, la responsabilité de la société Applica se limite au prix d'achat du produit.

Quelle est la durée?

- Deux ans après l'achat original.

Quelle aide offrons nous?

- Remplacement par un produit raisonnablement semblable nouveau ou réusiné.

Comment se prévaut-on du service?


- Conserver son reçu de caisse comme preuve de la date d'achat.
- Visiter notre site web au www.prodprotect.com/applica, ou composer sans frais le 1 800 231-9786, pour obtenir des renseignements généraux relatifs à la garantie.
- On peut également communiquer avec le service des pièces et des accessoires au 1 800 738-0245.

Qu'est-ce que la garantie ne couvre pas?

- Des dommages dus à une utilisation commerciale.
- Des dommages causés par une mauvaise utilisation ou de la négligence.
- Des produits qui ont été modifiés.
- Des produits utilisés ou entretenus hors du pays où ils ont été achetés.
- Des pièces en verre et tout autre accessoire emballés avec le produit.
- Les frais de transport et de manutention reliés au remplacement du produit.
- Des dommages indirects (il faut toutefois prendre note que certains états ne permettent pas l'exclusion ni la limitation des dommages indirects).

Quelles lois régissent la garantie?

- Les modalités de la présente garantie donnent des droits légaux spécifiques. L'utilisateur peut également se prévaloir d'autres droits selon l'état ou la province qu'il habite.

 **BLACK & DECKER** Marque de commerce déposée de la société The Black & Decker Corporation,
Towson, Maryland, É.-U.

Fabriqué en République populaire de Chine
Imprimé en République populaire de Chine



Copyright © 2013 Applica Consumer Products, Inc

2013-3-5-20



Printed on recycled paper.
Imprimé sur du papier recyclé.