

ASKO
BUILT TO LAST LONGER

Spare Parts Catalogue

Dishwashers \ 06 Generation
Type: DW954
Model: D1876 US SS Bi

Prod. No: 107187601
November 17th 2004

AM Appliances Group

P.O. Box 851805 • Richardson • TX 75085-1805
789 N. Grove Road • Suite 103 • Richardson • TX 75081

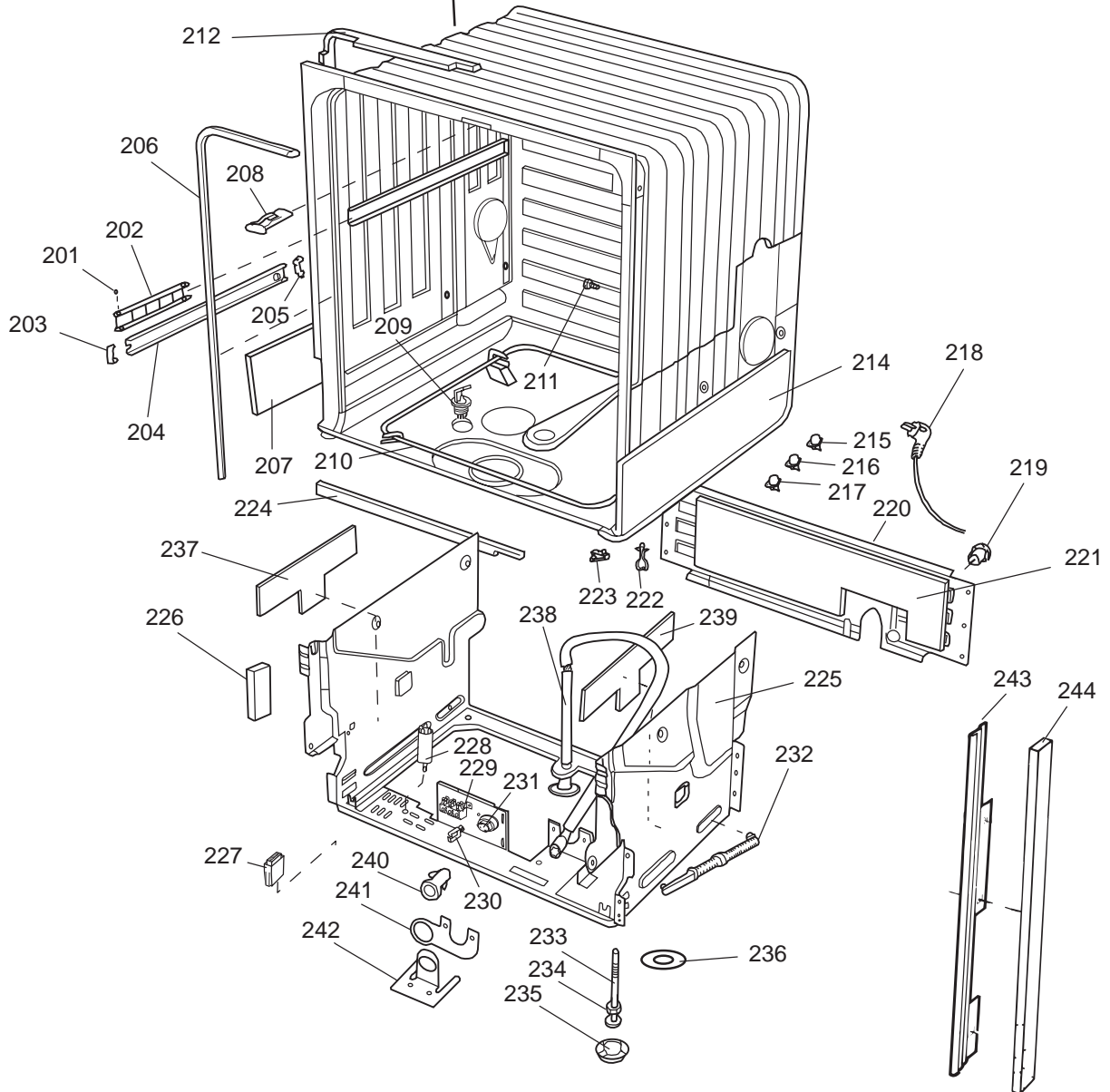
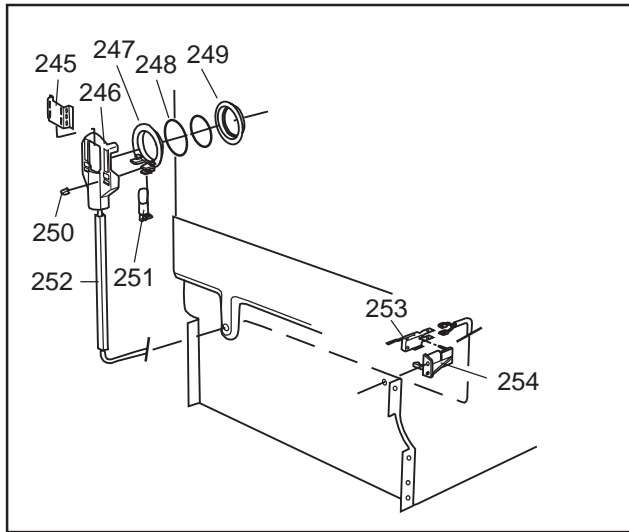
Datum

2003-03-24

Date

BEHÅLLARE

CONTAINER AND RELATED PARTS



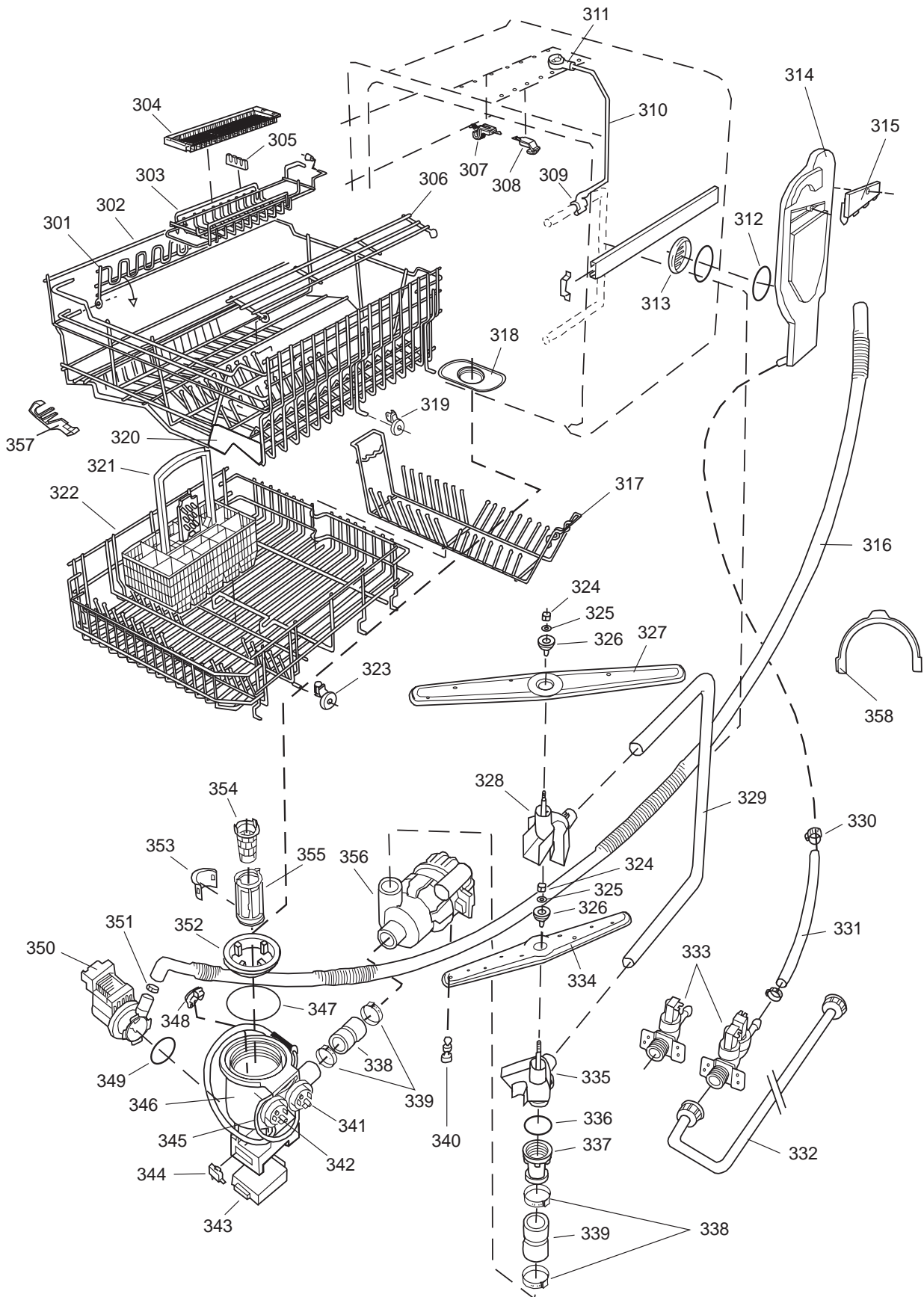
Container and related parts

ASKO, D1876 US - SS Bi (DW954)

Pos	Spare part No.	Description	Qty	Comment
201	8057977	Bearing Upper Rail 05/06 DW	8 Pcs	
202	8058638-77	Ball Holder, Upper Rail DW	2 Pcs	
203	8057979-77	Rack Stop Grey 05/06 DW	2 Pcs	
204	8057052	Guide Rail '05 '06 DW	2 Pcs	
205	8057978-77	Rail Stop - Back Grey 05/06	2 Pcs	
206	8057489	Tub Seal 05/06 DW	1 Pcs	
208	8801098	Lock Catch Kit 05'06 D/W	1 Pcs	
210	8002370	Protective Collar	2 Pcs	
210	8057077	Heating Element DW 05/06 140	1 Pcs	
211	8901110	Screw w/O-Ring DW 05/06 25-T	4 Pcs	
212	8070613	Sealing Strip Casing	1 Pcs	
216	8002579	T-Stat 05/06 DW Overheat	1 Pcs	
218	8074043	Power supply cord	1 Pcs	
220	8057527	Rear plate cover	1 Pcs	
220-a	8902357	Screw	5 Pcs	
222	8070142	Cable holder, rear 05	1 Pcs	
223	8058495	Cable holder, door 05	1 Pcs	
225	8074566	Bottom Outer	1 Pcs	If equip with 3-feet
225	8057523	Bottom and Side support '05	1 Pcs	
228	8058558	RFI 05/06 WM	1 Pcs	
229	8050251	Terminal Block DW All	1 Pcs	
229-a	8900357	Screw, terminal block	1 Pcs	
230	8059991	Cable holder, supply line 05	1 Pcs	
231	8006948	Grommet	1 Pcs	
232	8058491-77	Door Spring 05/06 for 0-7 lb	2 Pcs	
233	8057062	Subs to 8074877	4 Pcs	
233	8074877	Foot	2 Pcs	
234	8901156	Nut, Levelling Legs	4 Pcs	
235	8051957	Slide, foot 02 DW	3 Pcs	
236	8072119	Washer	2 Pcs	
238	8073647	Foot Adjustable from Front C	1 Pcs	
241	8060255	No longer Avail. po# 8008- H	1 Pcs	
242	8070495	Inlet Valve Mount	1 Pcs	
242-a	8900327	Screw 20 Torx, Self Tapping	2 Pcs	
243	8059761-95	Filler Strip - Left DW SS	1 Pcs	
243	8059762-95	Filler Strip, Right 05/06 DW	1 Pcs	
243-a	8900646	Screw 20 Torx SS	4 Pcs	
244	8070614	Insulation,fill strip 05&06	2 Pcs	

DISKSYSTEM

DISHWASHING SYSTEM



Dishwashing system

ASKO, D1876 US - SS Bi (DW954)

Pos	Spare part No.	Description	Qty	Comment
301	8071337-36	Cup Shelf Wine Glass 05/06 D	1 Pcs	
302	8801236-36	Upper Basket Gray	1 Pcs	
302	8801199-36	Rack, Upper 05 & 06 DW	1 Pcs	with cup shelf
306	8071336-36	Cup Shelf 05/06 DW	1 Pcs	
313	8057536-77	Lockring Airbreak Gray	1 Pcs	
314	8057514	Sub To 8801234	1 Pcs	
316	8070304	Drain Hose 05/06 DW	1 Pcs	
316	8075484	OUTLET HOSE NON RETURN VALVE	1 Pcs	
316-a	8052239	Hose Clamp, Squeeze	1 Pcs	
316-a	8073403	Non Return Valve	1 Pcs	
316-b	8053642	Hose Clip	1 Pcs	
318	8059740	Strainer Upper 05/06 DW	1 Pcs	
319	8058498-77	Wheel, Upper Basket 05/06 DW	4 Pcs	
320	8057506-77	Knife Stop	1 Pcs	
321	8801089-77	Cutlery Basket 05/06 DW	1 Pcs	
322	8801200-36	Lower Basket 05/06 DW	1 Pcs	
323	8009516-77	Rack Wheels Lower 05/06 DW	8 Pcs	
324	8901262	Nut for Spray Arm 05	2 Pcs	
325	8052095	Ceramic Washer, Spray Arm 05	2 Pcs	
326	8057070-77	Spray Arm Insert 05/06 DW	2 Pcs	
327	8072695	Spray Arm - Upper 05/06 DW	1 Pcs	
328	8057068-77	Spray Pipe Bearing Upper	1 Pcs	
329	8057063	Spray pipe, inner 05	1 Pcs	
330	8052189	Hose Clamp, Squeeze	2 Pcs	
331	8070622	Ruber Hose	1 Pcs	
332	8073879	Fill hose quick connect	1 Pcs	
333	8073995	Water valve single. Easy Ins	1 Pcs	
333	8072121	Fill Valve, Single 05/06 DW.	1 Pcs	
333-a	8902087	Screw, Plastic Housing 20 To	2 Pcs	
334	8072692	Spray Arm - Lower 05/06 DW	1 Pcs	
335	8057067-77	Lower Washarm Support 05/06	1 Pcs	
336	8901755	O-Ring Seal	1 Pcs	
337	8057069	Retainer Nut SprayArm 05/06	1 Pcs	
338	8052097	Hose Clamp, Circ. Pump 05/06	4 Pcs	
339	8057484	Hose, Circ. Pump 05/06 DW	2 Pcs	
340	8055095	BUFFER, Circumpump 03/04 DW	1 Pcs	
341	8071024	Level Switch 05/06 DW	1 Pcs	
343	8057053	Subs to 8075110	1 Pcs	
344	8060068	Micro Switch,Overfill 05/06	1 Pcs	
345	8058500	Hose Pressure Sw. 05/06 DW	1 Pcs	
346	8801123	Replaces 8075197-77. Sump 05	1 Pcs	
347	8058503	O-Ring, Sump 05/06 DW	1 Pcs	
348	8057487-79	Sump Plug DW 05/06 Cleanout	1 Pcs	
349	8002584	O-Ring, Drain Pump 05/06 DW	1 Pcs	
350	8072032	Drain Pump 05/06 DW	1 Pcs	
351	8052239	Hose Clamp, Squeeze	1 Pcs	
352	8057488	Locking ring, bottom well 05	1 Pcs	
353	8058454	Cover Str. Basket 05/06 DW	1 Pcs	
354	8057972-77	Strainer Basket Grey 05/06 D	1 Pcs	
355	8057486-77	Filter, fine 05 & 06 DW	1 Pcs	
356	8071250	Circ. Pump 05/06 DW	1 Pcs	
356-a	8075380	capacitor D3000	1 Pcs	
357	8071214-77	Knife Holder 05/06 DW	2 Pcs	
358	8050805	GOOSE NECK for DRAIN HOSE	1 Pcs	
358	8072528-77	Holder Outlet Hose	1 Pcs	

Datum
2003-03-24
Date

YTTERHÖLJE

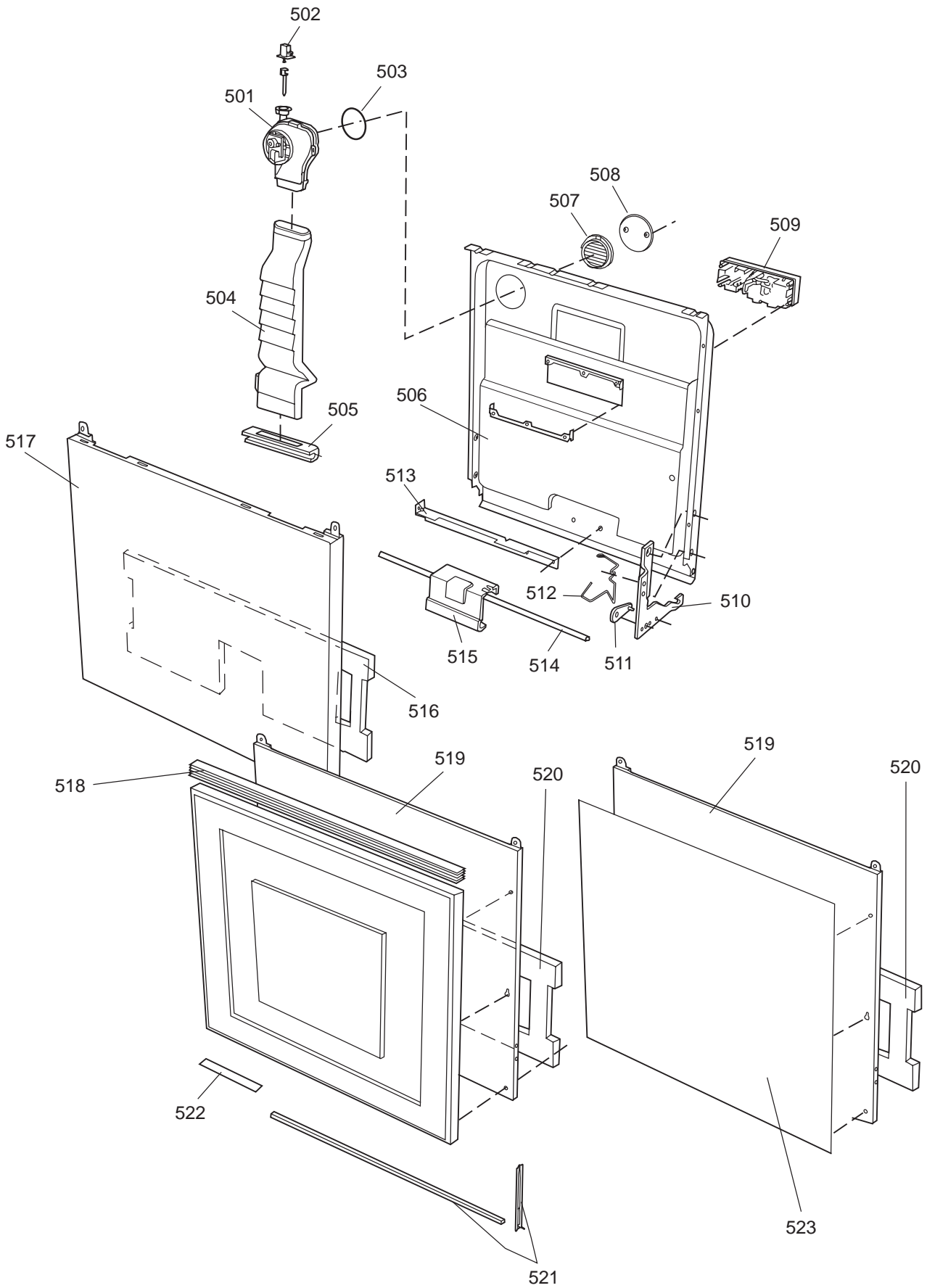
CASING AND RELATED PARTS



Casing and related parts

ASKO, D1876 US - SS Bi (DW954)

Pos	Spare part No.	Description	Qty	Comment
108	8059758-81	Kick Plate Grey	1 Pcs	
108-a	8900944	Screw Toe Kick 20 Torx	2 Pcs	
109	8070743	Insulation, Toe-Kick 05/06 D	1 Pcs	
110	8057526	Guard Plate DW05 & 06	1 Pcs	
110	8073707	Proection Plate	1 Pcs	
110-a	8902357	Screw	4 Pcs	
111	8060041	Sealing strip, protect plte	1 Pcs	
112	8058486	Drip Guard Overflow 05/06 DW	1 Pcs	
113	8058353	Sound Absorb Guard	1 Pcs	
114	8057550	Spring Adj. Bracket 05/06 DW	2 Pcs	
114	8073481-49	Spring Kicking Plate L. Gray	2 Pcs	
114-a	8902131	Screw, disc.jh 11-99	2 Pcs	
115	8057549	Bracket/Toe Kick 05/06 DW	2 Pcs	
124	8070615	Sealing Lower Panel DW 05/06	1 Pcs	
125	8057100-95	Lower Cover 05/06 DW	1 Pcs	
125-a	8900352	Screw Access Panel 05/06	2 Pcs	
126	8070612	Insul, lower panel 05 & 06 D	1 Pcs	



Door and related parts

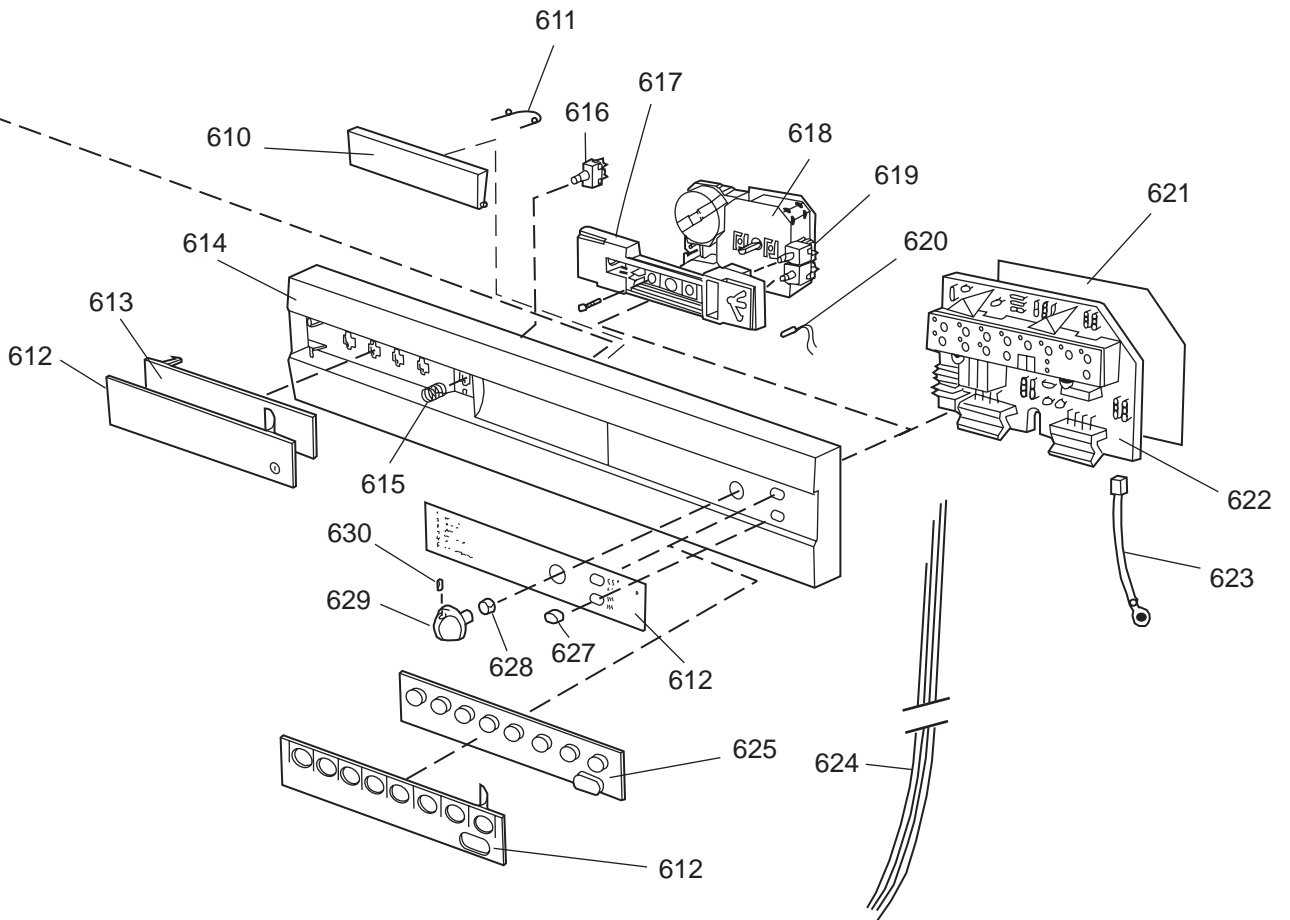
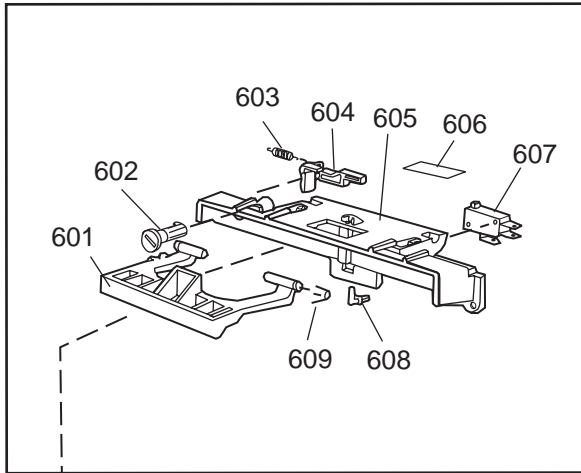
ASKO, D1876 US - SS Bi (DW954)

Pos	Spare part No.	Description	Qty	Comment
501	8052778	WAX MOTOR DW 05/06	1 Pcs	
501	8060021	Turbo Fan Complete 05/06 DW	1 Pcs	
503	8058501	O-Ring Turbo Fan Dry 05/06 D	1 Pcs	
504	8057963-S	Air Channel Short	1 Pcs	
505	8072729-33	Air Pipe	1 Pcs	
505	8071078-33	NOZZLE AIR DUCT STD COMPL	1 Pc's	
506	8801118	Inner Door 05/06 w/Fan DW	1 Pcs	
507	8057964	Locking ring, turbo fan 05	1 Pcs	
507-a	8902085	Screw 20T for Plastic	2 Pcs	
508	8058484	SS Coverplate Turbo Fan DW	1 Pcs	
508-a	8902085	Screw 20T for Plastic	2 Pcs	
509	8801140-77	Combi Disp.	1 Pcs	
510	8057524	Hinge Right DW 05/06	1 Pcs	
510	8057525	Hinge, left DW 05/06	1 Pcs	
510-a	33500262	Nut - Term Block	1 Pcs	
510-b	8057530	Screw, hinge 05	1 Pcs	
510-c	8902120	Screw 20 Torx Machine	2 Pcs	
511	8057948	Slide washer, hinge bearing	2 Pcs	
512	8073612	Bracket for Harness	1 Pcs	
514	8060254	Lower Seal,Inner Door 05/06	1 Pcs	
515	8057985	Outer Door Lower Stay 05/06	1 Pcs	
515-a	8902357	Screw	2 Pcs	
516	8060080	SOUND ABSORP. INNER DOOR COMBI	1 Pc's	
519	8074801-95	DOOR OUTER PART SHORT STAINL.	1 Pc's	
519	8057986-95	DOOR OUTER PART SHORT STAINL.	1 Pc's	

Datum
2003-03-24
Date

PANEL

CONTROL PANEL AND RELATED PARTS



Control panel and related parts

ASKO, D1876 US - SS Bi (DW954)

Pos	Spare part No.	Description	Qty	Comment
601	8057541-81	Handle 1895, Open	1 Pcs	
602	8057545	Rotary catch, child safety '	1 Pcs	
603	8057546	SPRING, SafetyCatch 05/06 DW	1 Pcs	
604	8057544	Arm, SafetyCatch 05/06 DW	1 Pcs	
605	8057539	Bracket 4 Switch/Handle 05/0	1 Pcs	
605-a	8902085	Screw 20T for Plastic	2 Pcs	
606	8071098	Cover for Micro Switch	1 Pcs	
607	8055473	Door Switch - DW 05/06	1 Pcs	
608	8057542	Actuator, Doorswitch 05/06 D	1 Pcs	
609	8007078	Spring 02 Handle, DW	1 Pcs	
612	8073408-81	Decor Insert	1 Pcs	
614	8057538-81	Back of Decor Insert	1 Pcs	
614	8071680-81	Dishwasher Panel	1 Pcs	
621	8060076	Cover, protective 05	1 Pcs	
622	8801201	Board, DW 05/06 (Not FI/Cust	1 Pcs	
622-a	8902053	Screw	2 Pcs	
623	8059767	Thermistor 05/06 DW	1 Pcs	
624	8059861	BASIC HARNESS DOOR DW95E	1 Pcs	
624	8059865	Basic Harness	1 Pcs	
624	8073452	Cable D1876	1 Pcs	
690	8075564	INSTR. D/WASHER USA DW95 ENG	1 Pcs	
690	8075565	INSTR. D/WASHER USA DW95 FR	1 Pcs	
690	8075566	INSTR. D/WASHER USA DW95 ES	1 Pcs	
690	8073096	INSTR. GENERAL D/WASHER USA	1 Pcs	