

This Owner's Manual is provided and hosted by [Appliance Factory Parts](#).



Black & Decker TRO60 Owner's Manual

[Shop genuine replacement parts for Black & Decker
TRO60](#)



[Find Your Black & Decker Toaster Ovens Parts - Select From 63 Models](#)

----- Manual continues below -----



Toaster Oven



First Use Safety Recommendation

Please read through this booklet for safe and efficient use of the appliance. We urge you to read the "Hint's" section and also follow all detailed instructions even if you are familiar with using this appliance.

Keep this guide handy for future reference.

English Page 02
Farsi Page 18
Arabic Page 27

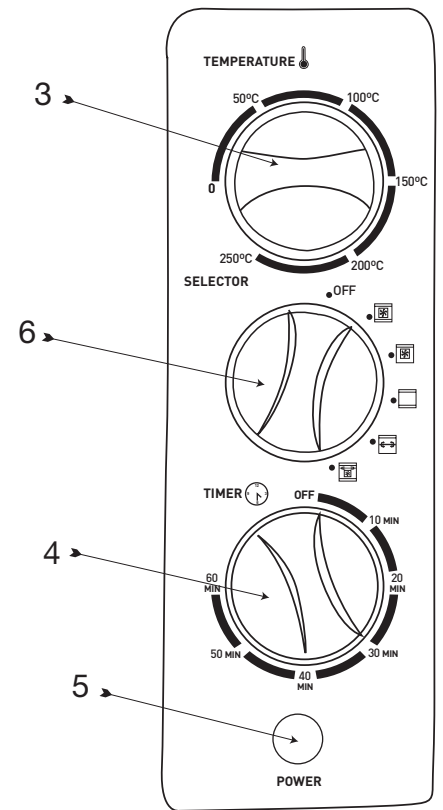
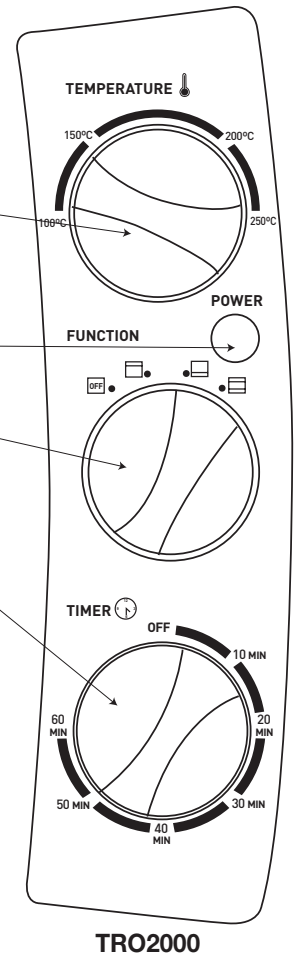
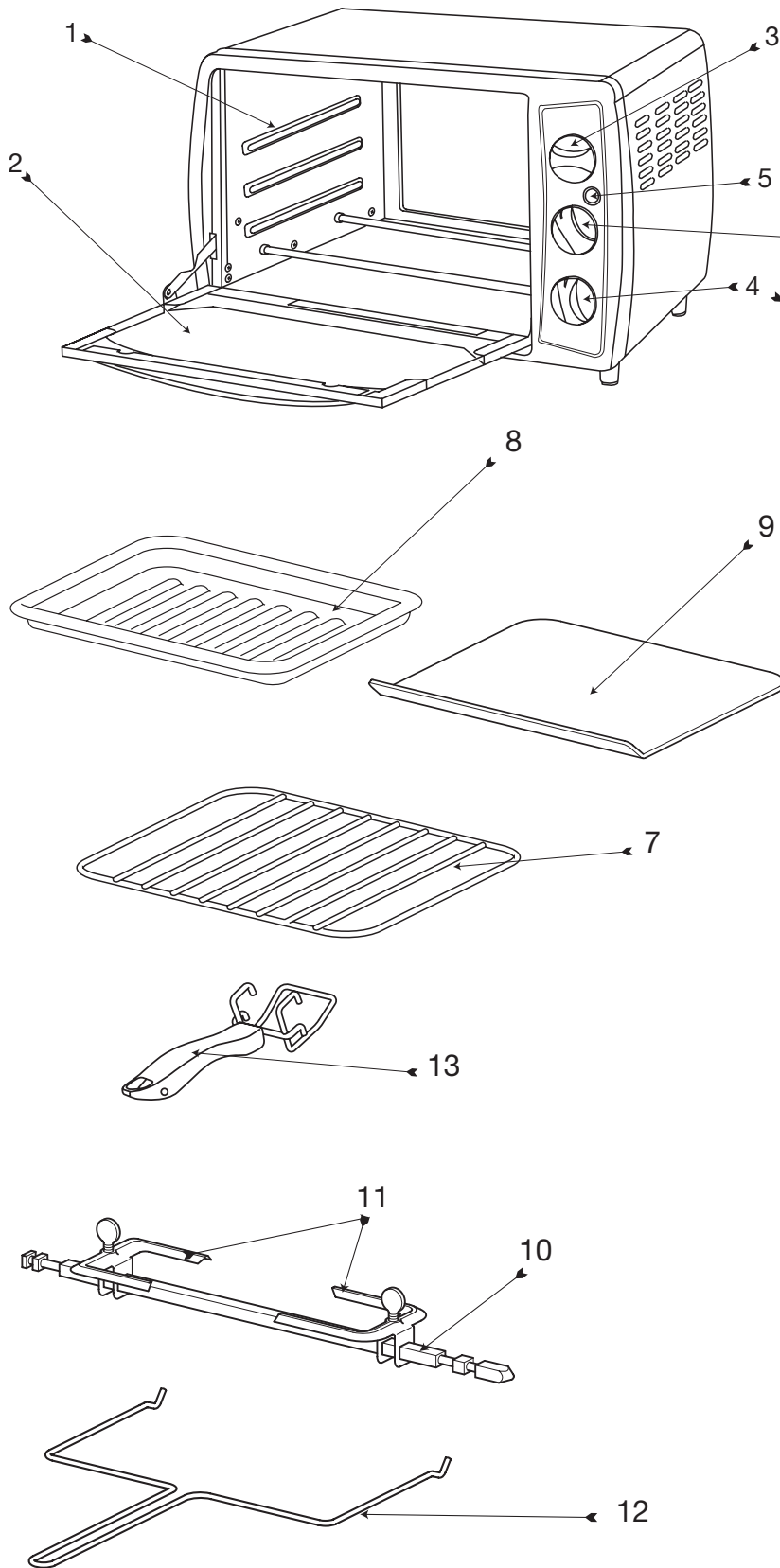
**TRO2000/TRO50/
TRO55/TRO60**

IMPORTANT SAFEGUARDS

While using electrical appliances, in order to reduce the risk of fire, electric shock, and/or injury to persons, basic safety precautions should be followed, including the following:

- Read all instructions carefully, even if you are familiar with the appliance.
- To protect against the risk of electric shock, **DO NOT IMMERSE** the appliance, cord set or plug in water or other liquids.
- To clean, wipe the exterior with a damp cloth.
- Close supervision is necessary when any appliance is used near children. Never leave an appliance unattended when in use.
- If the supply cord is damaged, it must be replaced by the manufacturer or its service agent or a similarly qualified person in order to avoid a hazard.
- Switch off and remove the plug from the power outlet when not in use before assembling or disassembling parts, cleaning or carrying out any maintenance of the appliance. Never pull the cord while unplugging out from power outlet.
- Do not operate the appliance if its damaged in any manner. Return the complete appliance to your nearest authorized service facility for examination, electrical repair, mechanical repair or adjustments to avoid any hazard.
- The use of attachments or accessories not recommended or sold by this appliance manufacturer may result in fire, electric shock or personal injury.
- Do not let the cord hang over the edge of a table, counter, or touch hot surfaces.
- Avoid touching hot surfaces, use handles and knobs.
- Do not operate or place any part of this appliance on or near any hot surfaces (such as gas or electric burner or in a heated oven).
- Do not abuse the cord. Never carry the appliance by the cord or yank it to disconnect it from the outlet; instead, grasp the plug and pull to disconnect.
- When using an extension cord with your appliance, make sure the extension cord is correctly wired, and rated for its use.
- This product is intended for household use only.
- Do not attempt to repair the appliance yourself; instead, take it to your Black & Decker-owned or Authorized Service Centre for repair.

SAVE THESE INSTRUCTIONS



Parts Identification

1. Shelf supports
2. Glass door
3. Temperature control
4. Timer
5. Power indicator lamp
6. Function selector
7. Shelf
8. Food tray
9. Crumb tray
10. Rotisserie skewer
11. Rotisserie forks
12. Rotisserie handle
13. Food tray handle

Intended use

Your Black & Decker toaster oven has been designed for toasting, baking etc. Your toaster oven should not be used for any other applications. This appliance is intended for indoor household use only.

Safety instructions

Warning! When using mains-powered appliances, basic safety precautions, including the following, should always be followed to reduce the risk of fire, electric shock, personal injury and material damage.



Read all of this manual carefully before using the appliance.

- The intended use is described in this manual. The use of any accessory or attachment or the performance of any operation with this appliance other than those recommended in this instruction manual may present a risk of personal injury.

- Retain this manual for future reference.

Using your appliance

- Make sure that the appliance is switched off before connecting to or disconnecting from the power supply.
- Always take care when using the appliance.
- Do not use the appliance outdoors.
- Never pull the power supply cord to disconnect the plug from the socket. Keep the power supply cord away from heat, oil and sharp edges.
- If the power supply cord is damaged during use, disconnect the appliance from the power supply immediately. Do not touch the power supply cord before disconnecting from the power supply.
- Disconnect the appliance from the power supply when not in use, before carrying out any maintenance, fitting or removing parts and before cleaning.

Safety of others

- This appliance is not intended for use by persons (including children) with reduced physical, sensory or mental capabilities, or lack of experience and knowledge, unless they have been given supervision or instruction concerning use of the appliance by a person responsible for their safety.
- Children must be supervised to ensure that they do not play with the appliance.
- Do not allow children or any person unfamiliar with these instructions to use the appliance.

- Do not allow children or animals to come near the work area or to touch the appliance or power supply cord.
- Close supervision is necessary when the appliance is used near children.

After use

- Switch off and remove the plug from the socket before leaving the appliance unattended and before changing, cleaning or inspecting any parts of the appliance.
- When not in use, the appliance should be stored in a dry place. Children should not have access to stored appliances.

Inspection and repairs

- Before use, check the appliance for damaged or defective parts. Check for breakage of parts, damage to switches and any other conditions that may affect its operation.
- Do not use the appliance if any part is damaged or defective.
- Have any damaged or defective parts repaired or replaced by an authorised repair agent.
- Before use, check the power supply cord for signs of damage, ageing and wear.
- Do not use the appliance if the power supply cord or mains plug is damaged or defective.
- If the supply cord is damaged, it must be replaced by the manufacturer or its service agent or a similarly qualified person in order to avoid a hazard.
- Never attempt to remove or replace any parts other than those specified in this manual.

Specific safety Instructions for toaster ovens

Warning! Accessible parts may become hot when the appliance is in use. Children should be kept away.

The following symbols are found on your appliance:



Denotes a hot surface.

- Always route the cord carefully to avoid a tripping hazard.
- Do not allow the cord set to hang over bench tops.
- Allow adequate space around and above the appliance for ventilation.
- Care must be taken when opening the appliance as hot air may escape on opening.
- The glass door and the outside surfaces of the oven get very hot during use. Oil and other cooking liquids may also get very hot during use. Always wear oven gloves when opening the glass door and when removing trays from the oven.
- Care should be taken to avoid touching heating elements inside the oven.
- Do not cover trays or other parts with metal foil as this may cause overheating.
- Surfaces may be hot during use and during the cool down period.
- Do not use a steam cleaner to clean this appliance.
- Never immerse the appliance, the cord set or the plug in liquid.

Never use the following items in your toaster oven:

- Sealed containers such as sealed pouches or unopened cans.
- Glass lids on glass or metal bake-ware.
- Plastic wrapping or paperboard covers.
- Containers larger than those recommended (larger and higher containers will interfere with air circulation).
- Containers with specific warnings against use in ovens.

Electrical safety



This product must be earthed. Always check that the power supply corresponds to the voltage on the rating plate.

Power plugs must match the outlet. Never modify the plug in any way. Do not use any adapter plugs with earthed (Class 1) appliances. Unmodified plugs and matching outlets will reduce the risk of electric shock.

Extension cables & Class 1 product



A 3 core cable must be used as your appliance is earthed and of Class 1 construction. Up to 30m (100 ft) can be used without loss of power.

Additional instructions for your toaster oven

- Metal, oven proof glass or glass ceramic bake-ware may be used in your oven.
- Follow manufacturer's instructions. When using deep oven proof glass or glass ceramic containers, make sure that the top edge of the container is at least 2.5 cm away from the upper heating elements.

- Many prepared frozen foods are packaged in nonmetallic containers suitable for use in microwave ovens as well as regular ovens. Check the package instructions to determine if the container is suitable for use in a regular oven.
- When using these containers in a toaster oven, always allow the oven to preheat for about 5 minutes before placing the ingredients inside.
- Remove any plastic wrapping and plastic or cardboard covers which may only be suitable for use in microwave ovens.
- Place the container holding the food to be cooked on the oven pan and cook according to the instructions or until the food is thoroughly heated.
- Never use these containers when cooking or top browning.

Features

1. Shelf supports
2. Glass door
3. Temperature control
4. Timer
5. Power indicator lamp
6. Function selector
7. Shelf
8. Food tray
9. Crumb tray
10. Rotisserie skewer
11. Rotisserie forks
12. Rotisserie handle
13. Food tray handle



Use

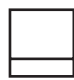
- After cleaning, the food tray (7) can be lightly coated with butter, margarine or cooking fat.


Operation

The function selector (6) on your appliance has the following symbols:


OFF


 Top elements on (toasting) (TRO2000 only)
 Toasting with convection (TRO50, TRO55 & TRO60)

 Lower elements on (baking) (TRO2000 only)

 Broiling (top and bottom elements) (TRO2000, TRO50, TRO55 & TRO60)

 Broiling with convection (TRO50, TRO55 & TRO60)

 Top elements on and rotisserie on (TRO50, TRO55 & TRO60)

 Rotisserie convection and both elements (TRO50, TRO55 & TRO60)

Tray positions

- Use the upper position for faster browning and cooking times, but be sure to allow at least 2.5 cm between the food and the heating elements. Use the lower position for longer cooking times or for delicate foods when less browning is required.
- Do not cover the shelf (7) with aluminium foil, as this prevents fats and juices from dripping into the food tray (8) and could cause the oven to overheat.
- Open the glass door (2) completely to pull out the shelf (7). Be sure to use protective gloves to prevent burns.

 **Toasting (top element only)**
(TRO2000 only)

- Slide the shelf (7) into one of the available positions.
- Place the bread on the shelf (7).
- Set the function selector (6) to the top element only position.

- Set the temperature control (3) to the required temperature.
- Turn the timer to the required time. If a time of less than 10 minutes is required, turn the dial past 10 minutes and then turn it back to the correct time. The oven will turn on automatically with the timer.
- As soon as the cooking time has elapsed, cooking will stop automatically and an alarm will be heard.
- Moist or fresh breads may cause condensation to form on the inside of the glass door (2). This is normal and will vary with the bread being toasted.

 **Toasting with convection (TRO50, TRO55 & TRO60)**

Toasting with convection is the same as "Toasting", however cooking will be completed faster due to the convection action. Reduce cooking times to suit.

 **Baking (bottom element only)**
(TRO2000 only)

- Slide the shelf (7) into one of the available positions.
- Place the food on the shelf (7).
- Close the glass door (2).
- Set the function selector (6) to the bottom element only position.
- Set the temperature control (3) to the required temperature.
- Set the timer (4) to the required baking time.
- Turn the timer to the required time. If a time of less than 10 minutes is required, turn the dial past 10 minutes and then turn it back to the correct time. The oven will turn on automatically with the timer.
- As soon as the cooking time has elapsed, cooking will stop automatically and an alarm will be heard.

Baking tips

- As with a full-size oven, frozen casseroles will require more cooking time than thawed casseroles. Loosely cover the tops of frozen casseroles with aluminium foil and uncover the last 5 or 10 minutes to enhance browning. Make sure that the foil does not touch the heating elements.



Broiling (top and bottom elements) (TRO2000, TRO50, TRO55 & TRO60)

- Do not preheat.
- Always use the shelf (7) and food tray (8) provided.
- Slide the shelf (7) into one of the available positions.
- Place the food on the shelf (7).
- Close the glass door (2).
- Set the function selector (6) to the top and bottom element position.
- Set the temperature control (3) to the required temperature.
- Set the timer (4) to the required cooking time. If a time of less than 10 minutes is required, turn the dial past 10 minutes and then turn it back to the correct time. The oven will turn on automatically with the timer.
- As soon as the cooking time has elapsed, cooking will stop automatically and an alarm will be heard.
- Cook food carefully and remove when cooked and browned to your satisfaction.



Broiling with convection (TRO50, TRO55 & TRO60)

Broiling with convection is the same as "Broiling", however cooking will be completed faster due to the convection action. Reduce cooking times to suit.

Rotisserie (TRO50, TRO55 & TRO60)

Assembly

- Insert the pointed end of the rotisserie skewer (10) through one fork (11), making sure that the points of the fork (11) face the same direction as the pointed end of the spit.
- Slide the fork (11) towards the square section of the spit and secure it with the thumbscrew.
- Push the spit through the centre of the food.
- Fit the second fork (11) on to other end of the spit, piercing the food with both forks, make sure that the food is centred on the spit.
- Secure it with the thumbscrew.
- If required, preheat the oven as directed in the recipe.
- Insert the pointed end of the spit into the drive socket located on right-hand side of the oven wall. Make sure the square end of the spit rests on the support on the left-hand side of the oven wall.



Rotisserie operation with convection (TRO50, TRO55 & TRO60)

- Place the food tray (8) in the bottom of the oven, directly under the food to be cooked.
- Set the temperature control (3) to high.
- The function selector (6) gives the option to use the upper or lower element, or both elements with the convection fan.
- Set the timer (4) to the required cooking time. If a time of less than 10 minutes is required, turn the dial past 10 minutes and then turn it back to the correct time. The oven will turn on automatically with the timer.

English

- As soon as the cooking time has elapsed, cooking will stop automatically and an alarm will be heard.
- Food should always be checked 5-10 minutes before expected completion.

Cleaning and maintenance

Cleaning our oven

Warning! Before cleaning the inside or outside of your oven, always turn the oven off, unplug it and let it cool.

Warning! Do not use solvents or any type of cleaning agent or cleaning pad unless recommended in this manual to clean the oven.

Warning! A steam cleaner is not to be used to clean this appliance.

Warning! Do not touch the heating elements, even for cleaning.

- Clean the outside and the inside appliance with a damp cloth. Make sure that the appliance is dry on the inside and the outside before use.
- The best way to keep your oven clean is to wipe away spills, splatters and crumbs after each use.
- Only the shelf (7) and food tray (8) are dishwasher-safe.

Glass door

Warning! Do not use a spray glass cleaner to clean the glass door (2).

- Clean the glass door (2) with a damp, soapy cloth. Dry thoroughly before using the oven.

Shelf, crumb tray and food tray

- Open the glass door (2), remove the food tray (8) and slide the shelf (7) and crumb tray (9) from the oven.
- Wipe away crumbs and food spills with a slightly damp cloth.
- Wipe the crumb tray (9) with a damp cloth. Dry thoroughly before using the oven.

- Wash the cooled shelf (7) in hot, soapy water or in a dish washer. To remove stubborn spots, use a polyester or nylon mesh pad.

Technical Data

		TRO2000	TRO50	TRO55	TRO60
Voltage	Vac	220-240	220-240	220-240	220-240
No Load Power	W	1380	1500	1500	1800
Capacity	l	19	28	35	42
Weight	kg	4.6	6.3	7.4	10.4

Protecting the environment



Separate collection. This product must not be disposed of with normal household waste.

Should you find one day that your Black & Decker product needs replacement, or if it is of no further use to you, do not dispose it off with other household waste. Make this product available for separate collection.



Separate collection of used products and packaging allows materials to be recycled and used again. Use of recycled materials helps prevent environmental pollution and reduces the demand for raw materials.

Local regulations may provide for separate collection of electrical products from the household, at municipal waste sites or by the retailer when you purchase a new product.

Black & Decker provides a facility for the collection and recycling of Black & Decker products once they have reached the end of their working life. To take advantage of this service please return your product to any authorised repair agent who will collect them on our behalf. You can check the location of your nearest authorised repair agent by contacting your local Black & Decker office at the address indicated in this manual. A list of authorised Black & Decker repair agents and full details of our after-sales service and contact are available on the Internet at: www.2helpU.com

BLACK & DECKER HOME APPLIANCE 2 YEAR WARRANTY

Black & Decker provides a 2 Year Warranty for this product from the date of purchase against defects due to defective materials or workmanship. Motor/element burn-outs due to voltage fluctuations are not covered under warranty. If the product should become defective within the warranty period, Black & Decker will repair or (at Black & Decker's discretion) replace it free of charge.

The warranty provisions do not cover failure due to accident, misuse, abuse, negligence or non observation of local regulations on the part of the user. Equally, the warranty provisions do not apply where the appliance has been serviced by a person not authorized by Black & Decker or serviced with non-approved parts and this has contributed to the fault of the product. Superseded models without a replacement equivalent will either be repaired or (at Black & Decker's discretion) replaced with another product of similar retail value.

UPON PURCHASE

Fill in the Warranty Registration Card with the original Authorized Dealer's stamp (indicating date of purchase) and attach your purchase receipt to it. Retain in case of claims in the future.

MAKING A CLAIM

Take your defective product together with the Warranty Registration Card & purchase receipt to your local service Centre. You can either do this in person or send it freight prepaid. If mailing or shipping your appliance, ensure that it is packed carefully in a sturdy carton with enough packing material to prevent damage. Include a note describing the problem to the service Centre and be sure to give your return address.

DESIGNED FOR DOMESTIC PURPOSES ONLY.

Farsi

ضمانتنامه ۲ ساله لوازم خانگی بلك اند دكر

بلك اند دكر اين محصول را به مدت ۲ سال از تاريخ خريد در برابر ايرادات ناشي از خرابي لوازم يا خطاهای ساخت تضمين مي كند. سوختن موتور بر اثر نوسانات برق شهري مشمول اين ضمانت نمي شود. در صورتيكه دستگاه در خلال مدت ضمانت خراب شود، بلك اند دكر آنرا به صلاحديد خود و بطور مجاني تعمير و يا قطعات آنرا تعويض خواهد نمود.

اين ضمانت، ايرادات حاصله بر اثر تصادف، عدم استفاده صحيح، استفاده غلط، بي مبالايي يا عدم توجه به قوانين محلي در جايي كه مالك دستگاه در آن سكونت دارد را در بر نمي گيرد. بگونه اي مشابه، در صورتيكه دستگاه توسط تعمير گاهي غير از مراكز تعمير مجاز بلك اند دكر سرويس شده باشد و يا در سرويس آن قطعات غير اصلي بكار رفته كه منجر به خرابي دستگاه شده باشد، ضمانت دستگاه از اعتبار خارج مي شود. مدل هاي قديمي كه مشابه شان براي جايگزيني ديگر موجود نمي باشد، تعمير شده يا به صلاحديد بلك اند دكر با محصولي ديگر با ارزش مشابه جايگزين خواهند شد.

به هنگام خريد

فرم ثبت ضمانتنامه را پر نموده از فروشنده محصول بخواهد تا آنرا با ذكر تاريخ خريد محصول مهر نموده و رسيد خريد را نيز به آن الصاق نمايد. كارت ضمانت را جهت مراجعات بعدي حفظ نمايد.

روش مطالبه

وسيله معيوب خود را به همراه كارت ضمانت و رسيد خريد آن به نزديكترين مركز سرويس مجاز محل سكونت خود ببريد. شما مي توانيد اينكار را مستقيماً يا توسط بيك پيش پرداز انجام دهيد. در صورتيكه دستگاه خود را با پست و يا بيك ارسال مي نمايد آنرا داخل يك كارتن محكم قرار داده و اطراف آن را با مواد مخصوص بسته بندي پر كنيد تا از آسيب رسيدن به دستگاه به هنگام حمل جلوگیری شود. به همراه دستگاه توضيحي مختصر از ايراد آن را هم ارسال نموده و ذكر آدرس گيرنده را نيز فراموش ننمائيد.

طراحی شده تنها جهت مصارف خانگی

- سینی مخصوص برشته کردن نان (۷) را می توان با آب گرم و صابون و یا در داخل ماشین ظرفشویی مورد شستشو قرار داد. جهت پاک کردن ذراتی که به سختی تمیز می شوند می توانید از یک پد از جنس پلی استر و یا الیاف نایلونی استفاده کنید.

مشخصات فنی

TRO60	TRO55	TRO50	TRO2000		
۲۴۰-۲۲۰	۲۴۰-۲۲۰	۲۴۰-۲۲۰	۲۴۰-۲۲۰	ولتاژ	ولتاژ
				توان درحالت	توان درحالت
۱۸۰۰	۱۵۰۰	۱۵۰۰	۱۳۸۰	وات	وات
۴۲	۳۵	۲۸	۱۹	لیتر	گنجایش
۱۰/۴	۷/۴	۶/۳	۴/۶	کیلوگرم	وزن

حفاظت از محیط زیست

این وسیله را نباید مانند دیگر زباله های عادی منزل بدور انداخت بلکه باید آنرا از دیگر زباله ها مجزا نمود.

در صورتیکه یکروز محصول بلك اند دگر شما دیگر بکارتان نیامد یا خواستید آنرا با چیز دیگری جایگزین نمائید، آنرا با دیگر زباله های عادی منزل بدور نیاندازید بلکه آنرا جهت جمع آوری از دیگر زباله ها مجزا نمائید.

جداسازی محصولات و بسته بندی ها باعث می گردد تا بتوان آنرا را بازیافت نمود و مجدداً مورد استفاده قرار داد. استفاده از لوازم بازیافتی از آلودگی محیط زیست کاسته و نیاز به مواد خام را نیز کاهش خواهد داد.

ممکن است در قوانین محلی محل سکونت تان امکان جمع آوری لوازم الکتریکی منزل در اماکن خاصی توسط شهرداری یا فروشنده تجهیزات در نظر گرفته شده باشد.

کمپانی بلك اند دگر تسهیلاتی را جهت جمع آوری و بازیافت محصولات متعلق به شما (هنکامی که به پایان عمر کاری خود رسیده باشند) را ارائه می نماید. جهت بهره مندی از این امکان لطفاً محصول خود را به هر کدام از نمایندگی های تعمیر مجاز ما تحویل دهید و آنها محصولات را به نیابت از ما تحویل خواهند گرفت. جهت یافتن نزدیک ترین مرکز تعمیر مجاز در محل سکونت تان با دفتر محلی بلك اند دگر در آدرس هایی که در این راهنما ذکر گردیده اند تماس حاصل نمائید. جهت دریافت لیست کامل و جزئیات نمایندگی های خدمات پس از فروش بلك اند دگر و شماره های تماس آنها به آدرس اینترنتی www.2helpU.com مراجعه نمائید.

- پس از سپری شدن مدت پخت، عملیات پخت و پز بطور اتوماتیک متوقف شده و صدای زنگ به گوش خواهد رسید.
- پیش فرا رسیدن زمان فرض شده برای پختن، باید هر ۵ تا ۱۰ دقیقه غذا را وارسی کرد.

نحوه تمیز کردن و نگهداری از دستگاه

نحوه تمیز کردن اجاق فر شما

توجه! پیش از تمیز کردن داخل و خارج اجاق، همیشه آنرا خاموش کرده، از پریز برق کشیده و اجازه دهید تا خنک شود.

توجه! از استفاده از حلال ها و یا هر گونه مایع و یا پد شوینده بغیر از آنهایی که در این دفترچه راهنما توصیه شده است جدا پرهیز کنید.

توجه! هرگز از یک دستگاه پاک کننده با بخار برای تمیز کردن این دستگاه استفاده نکنید.

توجه! از لمس کردن المنت های گرم کننده دستگاه، حتی به منظور تمیز کردن، جدا پرهیز کنید.

- داخل و خارج دستگاه را با یک پارچه مرطوب تمیز کنید. همیشه پیش از شروع استفاده مجدد دستگاه، از خشک بودن بدنه داخلی و خارجی آن اطمینان حاصل کنید.
- بهترین راه تمیز نگه داشتن اجاق شما، پاک کردن لکه ها، ذرات پاشیده شده به اطراف و خرده غذاهای باقی مانده پس از هر بار استفاده از دستگاه می باشد.
- فقط طبقه (۷) و سینی غذا (۸) را می توان در دستگاه ظرفشویی مورد شستشو قرار داد.

درب شیشه ای دستگاه

توجه! از اسپری کردن محلول های شیشه شور به روی درب شیشه ای دستگاه (۲) به منظور تمیز کردن آن، خودداری کنید.

- درب شیشه ای دستگاه (۲) را با یک تکه پارچه مرطوب آغشته به صابون تمیز کرده و پیش از استفاده مجدد از اجاق، آنرا کاملاً خشک کنید.

طبقه، سینی مخصوص برشته کردن نان و سینی غذا

- درب شیشه ای دستگاه (۲) را باز کرده، سینی غذا (۸) و سینی مخصوص برشته کردن نان (۷) و سینی مخصوص جمع آوری خرده نان ها (۹) را از دستگاه خارج کنید.
- خرده های نان و ذرات غذایی پاشیده شده روی سینی را با یک پارچه کمی مرطوب پاک کنید.
- سینی مخصوص جمع آوری خرده نان ها (۹) را با یک پارچه مرطوب تمیز کرده و پیش از قرار دادن مجدد در اجاق، آنرا کاملاً خشک کنید.

نکاتی برای پخت صحیح

- درست مشابه اجاق فرهای بزرگ، پختن غذاهای منجمد بیشتر از غذاهایی که یخ آنها باز شده طول خواهد کشید. برای بهبود کیفیت پخت، ابتدا روی غذاهای منجمد را با فویل های آلومینیومی پوشانده و در ۵ یا ۱۰ دقیقه آخر فویل را بردارید تا غذا کاملاً برشته شود. مواظب باشید که فویل آلومینیومی با المنت های اجاق فر در تماس نباشد.

کبابی کردن غذا (با المنت های بالا و پائین) (در مدل های TRO50، TRO2000، TRO55 و TRO60)



- دستگاه را از قبل گرم نکنید.
- همیشه از سینی (۷) و سینی غذای (۸) ارائه شده با دستگاه استفاده کنید.
- سینی (۷) را در یکی از وضعیت های در نظر گرفته شده در دستگاه قرار دهید.
- غذا را روی سینی (۷) قرار دهید.
- درب شیشه ای اجاق فر (۲) را ببندید.
- کلید گردان انتخاب عملکرد دستگاه (۶) را روی وضعیت "المنت های بالا و پائین" قرار دهید.
- حرارت دستگاه (۳) را روی درجه مورد نظر خود تنظیم کنید.
- تایمر دستگاه (۴) را روی مدت زمان برشته کردن مورد نظر خود تنظیم کنید. در صورتی که زمانی کمتر از ۱۰ دقیقه مورد نظر باشد، دکمه را روی پس از ۱۰ دقیقه چرخانده و سپس آنرا روی زمان مناسب برگردانید. اجاق بطور اتوماتیک با تایمر روشن می شود.
- پس از سپری شدن مدت پخت، عملیات پخت و پز بطور اتوماتیک متوقف شده و صدای زنگ به گوش خواهد رسید.
- غذا را به دقت پخته و پس از پخته و برشته شدن تا حد مطلوب، آنرا از اجاق فر خارج کنید.

کبابی کردن به روش هدایت گرمایی (در مدل های TRO50، TRO55، TRO60)



- برشته کردن به روش هدایت گرمایی مشابه "برشته کردن عادی" است، با این وجود به علت عملکرد هدایت گرمایی، عملیات پخت و پز با سرعت بیشتری انجام می شود.

مرغ سرخ کن (در مدل های TRO50، TRO55 و TRO60)

نحوه سوار کردن قطعات

- انتهای نوک دار سیخ مخصوص سرخ کردن مرغ (۱۰) را از یکی از گیره ها (۱۱) رد کرده و از قرار گرفتن چنگال های گیره (۱۱) در راستای نوک تیز سیخ اطمینان حاصل کنید.
- گیره (۱۱) را به سمت بخش چهارگوش سیخ رانده و سپس آنرا به کمک پیچ های روی گیره سر جای خود محکم کنید.
- سیخ را از وسط غذای مورد نظر خود رد کنید.
- گیره دوم (۱۱) را روی انتهای دیگر سیخ قرار داده و به کمک گیره ها غذا را در سر جای خود محکم کنید. دقت کنید که سیخ از وسط غذا رد شده باشد.
- غذا را به کمک گیره ها در سر جای خود محکم کنید.
- در صورت لزوم، اجاق فر را آنگونه که در دستور طبخ غذا ذکر شده، از قبل گرم کنید.
- انتهای نوک دار سیخ را در داخل سوراخ موجود واقع در سمت راست دیواره اجاق فر قرار دهید. از قرار گرفتن گوشه دیگر چهارگوش سیخ در پایه واقع در سمت چپ دیواره اجاق فر اطمینان حاصل کنید.

عملکرد مرغ سرخ کن به روش هدایت گرمایی (در مدل های TRO50، TRO55، TRO60)



- سینی غذای (۸) را در پائین اجاق فر و مستقیماً زیر غذایی که قرار است پخته شود قرار دهید.
- درجه کنترل حرارت (۳) را روی درجه بالا قرار دهید.
- کلید گردان انتخاب عملکرد دستگاه (۶) امکان انتخاب المنت پائین یا بالا و یا هر دو المنت با فن هدایت گرمایی را برای شما فراهم می کند.
- تایمر دستگاه (۴) را روی مدت زمان برشته کردن مورد نظر خود تنظیم کنید. در صورتی که زمانی کمتر از ۱۰ دقیقه مورد نظر باشد، دکمه را روی پس از ۱۰ دقیقه چرخانده و سپس آنرا روی زمان مناسب برگردانید. اجاق بطور اتوماتیک با تایمر روشن می شود.

عملکرد

- کلید چرخان انتخاب عملکرد دستگاه (۶) را روی حالت "فقط المنت بالا" تنظیم کنید.
- حرارت دستگاه (۳) را روی درجه مورد نظر خود تنظیم کنید.
- تایمر دستگاه را روی مدت زمان برشته کردن مورد نظر خود تنظیم کنید. در صورتی که زمانی کمتر از ۱۰ دقیقه مورد نظر باشد، دکمه را روی پس از ۱۰ دقیقه چرخانده و سپس آنرا روی زمان مناسب برگردانید. اجاق بطور اتوماتیک با تایمر روشن می شود.
- پس از سپری شدن مدت پخت، عملیات پخت و پز بطور اتوماتیک متوقف شده و صدای زنگ به گوش خواهد رسید.
- قرار دادن نان های تازه و یا مرطوب در داخل اجاق ممکن است موجب شکل گیری بخار روی شیشه درب اجاق (۲) شود. این امر طبیعی بوده و شدت آن به نوع نانی که برشته می شود بستگی دارد
- **برشته کردن به روش هدایت گرمایی (در مدل های TRO50، TRO55، TRO60)** 
 - برشته کردن به روش هدایت گرمایی مشابه "برشته کردن عادی" است، با این وجود به علت عملکرد هدایت گرمایی، عملیات پخت و پز با سرعت بیشتری انجام می شود.
- **پخت و پز (فقط با المنت پائین) (فقط در مدل TRO2000)** 
 - سینی (۷) را در داخل یکی از وضعیت های موجود قرار دهید.
 - غذا را روی سینی (۷) قرار دهید.
 - درب شیشه ای (۲) را ببندید.
 - کلید چرخان انتخاب وضعیت (۶) را روی وضعیت "فقط المنت پائین" قرار دهید.
 - حرارت دستگاه (۳) را روی درجه مورد نظر خود تنظیم کنید.
 - تایمر دستگاه (۴) را روی مدت زمان برشته کردن مورد نظر خود تنظیم کنید.
 - تایمر دستگاه را روی مدت زمان برشته کردن مورد نظر خود بچرخانید. در صورتی که زمانی کمتر از ۱۰ دقیقه مورد نظر باشد، دکمه را روی پس از ۱۰ دقیقه چرخانده و سپس آنرا روی زمان مناسب برگردانید. اجاق بطور اتوماتیک با تایمر روشن می شود.
 - پس از سپری شدن مدت پخت، عملیات پخت و پز بطور اتوماتیک متوقف شده و صدای زنگ به گوش خواهد رسید.
- این علائم روی کلید گردان انتخاب عملکرد دستگاه (۶) دستگاه شما وجود دارد:
 - OFF (خاموش)
 - المنت بالای روشن (برای برشته کردن) (فقط در مدل TRO2000)
 - برشته کردن به روش هدایت گرمایی (در مدل های TRO50، TRO55، TRO60)
 - المنت پائین روشن (برای پخت و پز) (فقط در مدل TRO2000)
 - کبابی کردن (با استفاده از هر دو المنت بالا و پائین) (برای مدل های TRO2000، TRO50، TRO55، TRO60)
 - کبابی کردن به روش هدایت گرمایی (در مدل های TRO50، TRO55، TRO60)
 - المنت های بالا و مرغ سرخ کن روشن (در مدل های TRO50، TRO55، TRO60)
 - مرغ سرخ کن به روش هدایت گرمایی و با دو المنت (در مدل های TRO50، TRO55، TRO60)

وضعیت قرار گیری سینی ها

- از طبقه بالاتر برای برشته کردن و پختن سریعتر مواد غذایی استفاده کنید، اما همیشه اطمینان حاصل کنید که ۲.۵ سانتی متر بین غذا و المنت های گرم کننده اجاق فاصله باشد. از طبقه وسط در مواقعی استفاده کنید که پخت آرامتر غذا در نظر بوده و یا به برشته شدن زیاد آن نیازی نمی باشد.
- هرگز روی سینی (۷) را با فویل آلومینیومی نپوشانید زیرا اینکار از ریختن قطره های چربی و آب غذا به داخل سینی غذا (۷) جلوگیری کرده و ممکن است موجب گرم شدن بیش از حد اجاق شود.
- جهت بیرون کشیدن سینی (۷)، درب شیشه ای اجاق (۲) را کاملاً باز کنید. جهت جلوگیری از بروز سوختگی دست ها حتماً از دستکش محافظ و یا دستگیره استفاده کنید.

نحوه برشته کردن (فقط با المنت بالای روشن)

(فقط در مدل TRO2000)

- سینی (۷) را در داخل یکی از وضعیت های موجود قرار دهید.
- نان را روی سینی (۷) قرار دهید.

هرگز ارقام زیر را در داخل اجاق تُستر خود قرار ندهید:

- محفظه های بسته، مانند کیسه های بسته یا قوطی های باز نشده
- درب های شیشه ای که برای ابزار پخت و پز شیشه ای یا فلزی مورد استفاده قرار می گیرند
- روکش های پلاستیکی یا مقوایی
- ظروفی بزرگتر از گنجایش مورد توصیه دستگاه (ظروف بزرگتر یا بلند تر جلوی گردش هوا در داخل دستگاه را می گیرند)
- ظروفی که روی آنها ذکر شده که برای استفاده در اجاق مناسب نیستند.

ایمنی الکتریکی



این محصول باید دارای اتصال زمین باشد.

همواره از همخوانی ولتاژ مشخص شده روی لوح مشخصات فنی دستگاه با برق شهر اطمینان حاصل کنید.

دو شاخه برق دستگاه باید با پریز تناسب داشته باشند. هرگز نسبت به تغییر دوشاخه اقدام نکنید. هرگز دوشاخه های مبدل را برای دستگاه های دارای اتصال زمین (کلاس ۱) مورد استفاده قرار ندهید. عوض نشدن دوشاخه ها و تناسب پریزها خطر شوک الکتریکی را بطور قابل ملاحظه ای کاهش می دهد.

سیم های رابط و دستگاه های کلاس ۱



یک سیم سه رشته را باید جهت اتصال برق دستگاه مورد استفاده قرار داد زیرا دستگاه شما به کلاس ۱ تعلق داشته و به اتصال زمین نیازمند می باشد. یک سیم رابط بطول ۳۰ متر (۱۰۰ فوت) را می توان بدون نگرانی از افت توان مورد استفاده قرار داد.

سایر توصیه های ایمنی مهم برای اجاق های تُستر

- ظروف آشپزی فلزی، شیشه ای نشکن و یا سرامیکی- شیشه ای را می توان در داخل اجاق قرار داد.
- دستورالعمل های سازنده دستگاه را رعایت کنید.
- به هنگام قرار دادن ظروف شیشه ای نشکن گود و یا سرامیکی- شیشه ای در داخل اجاق، مطمئن شوید که لبه بالایی آنها حداقل ۲/۵ سانتی متر از المنت های گرم کننده بالایی اجاق فاصله داشته باشد.
- غذاهای منجمد شده آماده، اغلب در بسته بندی های غیرفلزی مناسب برای قرار گرفتن در اجاق های میکروویو و اجاق های معمولی به فروش می رسند. با این وجود با مطالعه دستورالعمل های مندرج در روی بسته بندی ها از مناسب بودن آنها برای قرار گرفتن در اجاق های معمولی اطمینان حاصل کنید.
- به هنگام استفاده از این بسته بندی ها در داخل اجاق، همیشه قبل از قرار دادن مواد غذایی، اجاق را از قبل به مدت ۵ دقیقه گرم کنید.
- تمامی روکش های پلاستیکی و یا مقوایی که ممکن است برای استفاده در اجاق های میکروویو مناسب نباشند را خارج کنید.
- بسته بندی های محتوی مواد غذایی که قرار است پخته شود را روی سینی مخصوص پخت مواد غذایی قرار داده و آنرا بر اساس دستورالعمل مخصوص پخت آن غذا و یا تا زمانی که غذا کاملاً گرم شده باشد بپزید.
- هرگز این بسته بندی ها را به هنگام پختن و یا برشته کردن روی غذا مورد استفاده قرار ندهید.

بخش های دستگاه

- ۱ تکیه گاه طبقه ها
- ۲ درب شیشه ای
- ۳ دکمه کنترل حرارت
- ۴ تایمر
- ۵ چراغ نشانگر روشن بودن دستگاه
- ۶ کلید گردان انتخاب عملکرد دستگاه
- ۷ طبقه
- ۸ سینی غذا
- ۹ سینی جمع آوری خرده نان ها
- ۱۰ سیخ مخصوص سرخ کردن مرغ
- ۱۱ گیره های مخصوص سرخ کردن مرغ
- ۱۲ دستگیره سیخ مخصوص سرخ کردن مرغ
- ۱۳ دستگیره سینی غذا

استفاده از دستگاه

- پس از تمیز کردن سینی دستگاه (۷)، می تواند آنرا کمی با کره، مارگارین یا روغن خوراکی چرب کرد.

دستورالعمل های ایمنی مهم برای اجاق های تُستر

توجه! بخش های قابل دسترسی دستگاه ممکن است در خلال مدت استفاده از آن داغ شوند. کودکان را باید از دستگاه دور نگه داشت.

علائم زیر روی دستگاه شما وجود دارد:



علامت مشخصه سطح داغ

- همواره مواظب باشید تا سیم برق دستگاه در جایی که امکان گیر کردن به پا و کشیده شدن آن وجود دارد، قرار نگرفته باشد.
- اجازه ندهید تا سیم دستگاه از میز یا پیشخوان آویزان بماند.
- همیشه برای تهویه مناسب دستگاه فضای اطراف آنرا باز بگذارید
- به هنگام باز کردن دستگاه، باید دقت شود زیرا ممکن است از درب آن بخار خارج شود.
- درب شیشه ای و سطوح خارجی اجاق در خلال استفاده از آن بسیار داغ می شوند. روغن و سایر مایعات مخصوص پخت و پز نیز ممکن است در خلال استفاده از دستگاه بسیار داغ شوند. بنابراین به هنگام باز کردن درب اجاق و یا بیرون آوردن سینی از داخل آن همیشه دستکش بدست داشته و یا از گیره استفاده کنید.
- همواره از لمس کردن المنت های داخل اجاق پرهیز کنید.
- روی سینی ها را هرگز با فویل آلومینیومی نپوشانید زیرا اینکار موجب گرم شدن بیش از حد آنها می شود.
- بعضی سطوح دستگاه ممکن است در خلال استفاده و یا حتی به هنگام خنک شدن آن، داغ باشد.
- هرگز از يك دستگاه پاك کننده با بخار برای تمیز کردن این دستگاه استفاده نکنید.
- هرگز دستگاه، سیم برق و یا پریز آن را در داخل آب یا هر گونه مایعات دیگر غوطه ور نسازید.

- هرگز به کودکان و یا حیوانات اجازه ندادن شدن و یا لمس دستگاه یا سیم برق آن را ندهید.

- به هنگام استفاده از دستگاه در جایی که کودکان در آن حضور دارند، باید توجه و نظارت کاملی مد نظر قرار گیرد.

پس از استفاده

- همواره پیش از دور شدن از دستگاه و یا پیش از تعویض، تمیز کردن یا بازرسی بخش های مختلف آن، دستگاه را خاموش کرده و آنرا از پریز برق خارج کنید.
- هنگامی که از دستگاه استفاده نمی شود باید از آن در مکانی خشک نگهداری کرد. بچه ها نباید به وسائل و تجهیزات کنار گذاشته شده دسترسی داشته باشند.

بازبینی و تعمیرات

- پیش از استفاده، دستگاه را از بابت وجود قطعات خراب و یا معیوب امتحان کنید. از عدم شکستگی قطعات دستگاه، صدمه کلید ها و هرگونه عاملی که کارکرد صحیح دستگاه را تحت تاثیر قرار می دهند اطمینان یابید.
- در صورتیکه هر بخش از دستگاه خراب و یا معیوب باشد از آن استفاده نکنید.
- قطعات خراب و یا معیوب را توسط تعمیرکار مجاز تعویض و یا تعمیر کنید.
- پیش از استفاده از دستگاه، سیم برق آنرا از جهت وجود علامات صدمه دیدگی، کهنگی و فرسودگی بازرسی کنید.
- در صورتیکه سیم برق و یا دو شاخه دستگاه خراب و یا معیوب می باشد، هرگز دستگاه را مورد استفاده قرار ندهید.
- در صورتیکه سیم برق و یا دو شاخه دستگاه خراب و یا معیوب باشد باید آنرا توسط تعمیرکار مجاز تعمیر نمود تا از بروز خطر جلوگیری شود.
- هرگز شخصاً به بازکردن و یا تعویض قطعات دستگاه بجز آنهایی که در این دفترچه راهنما مشخص شده اند اقدام نکنید.

شناسایی بخش های مختلف دستگاه

۱ تکیه گاه طبقه ها

۲ درب شیشه ای

۳ دگمه کنترل حرارت

۴ تایمر

۵ چراغ نشانگر روشن بودن دستگاه

۶ کلید گردان انتخاب عملکرد دستگاه

۷ طبقه

۸ سینی غذا

۹ سینی جمع آوری خرده نان ها

۱۰ سیخ مخصوص سرخ کردن مرغ

۱۱ گیره های مخصوص سرخ کردن مرغ

۱۲ دستگیره سیخ مخصوص سرخ کردن مرغ

۱۳ دستگیره سینی غذا

مورد مصرف

دستگاه اجاق تُستِرِ بلك اند دكر شما برای برشته کردن، پختن و اموری از این قبیل طراحی شده است. از بکار بردن اجاق تُستِرِ خود برای هر گونه مصارف دیگر جدا پرهیز کنید. این وسیله تنها جهت مصارف داخلی منزل طراحی شده است

دستورالعمل های ایمنی مهم

توجه! به هنگام کار با وسائل برقی، موارد پیشگیرانه ایمنی پایه، از جمله موارد زیر، را باید همواره در نظر داشت تا خطر بروز آتش سوزی، شوک الکتریکی، صدمات فردی و همچنین خرابی دستگاه کاهش یابد.

پیش از شروع بکار با دستگاه، تمامی دستورالعمل های این دفترچه راهنما را به دقت مطالعه کنید.

• موارد استفاده از دستگاه در این دفترچه توضیح داده شده است. استفاده از هرگونه لوازم جانبی یا استفاده از دستگاه به غیر از مواردی که در این دفترچه راهنما توصیه شده خطرناک بوده و خطر صدمه فردی را به همراه خواهد داشت.

• این دفترچه راهنما را جهت مراجعات بعدی در جایی مناسب نگهداری کنید.

استفاده از دستگاه

• دقت کنید که دستگاه پیش از اتصال یا به هنگام خارج کردن آن از پریز برق، خاموش باشد.

• رعایت دقت به هنگام استفاده از دستگاه همواره امری ضروری بشمار می رود.

• هرگز از دستگاه برای مصارف خارج از منزل استفاده نکنید.

• برای خارج کردن دوشاخه دستگاه از پریز برق، هرگز سیم آنرا نکشیده و یا آنرا با فشار و بطور ناگهانی از پریز خارج نکنید. همواره سیم برق دستگاه را از گرما، روغن و لبه های تیز دور نگه دارید.

• در صورتیکه سیم برق دستگاه به هنگام استفاده صدمه ببیند، دستگاه را بلافاصله از برق بکشید. در این حالت هرگز قبل از کشیدن دستگاه از برق به سیم برق آن دست نزنید.

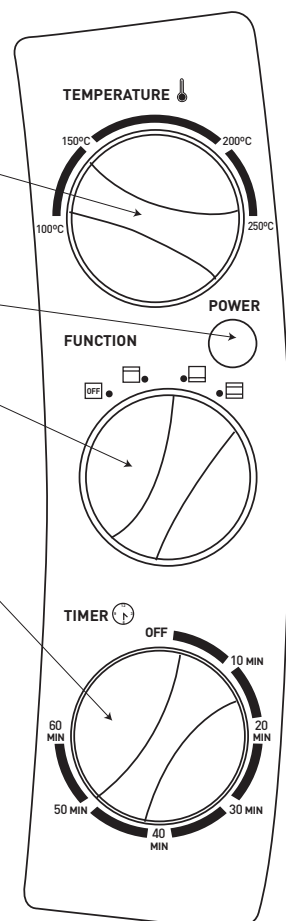
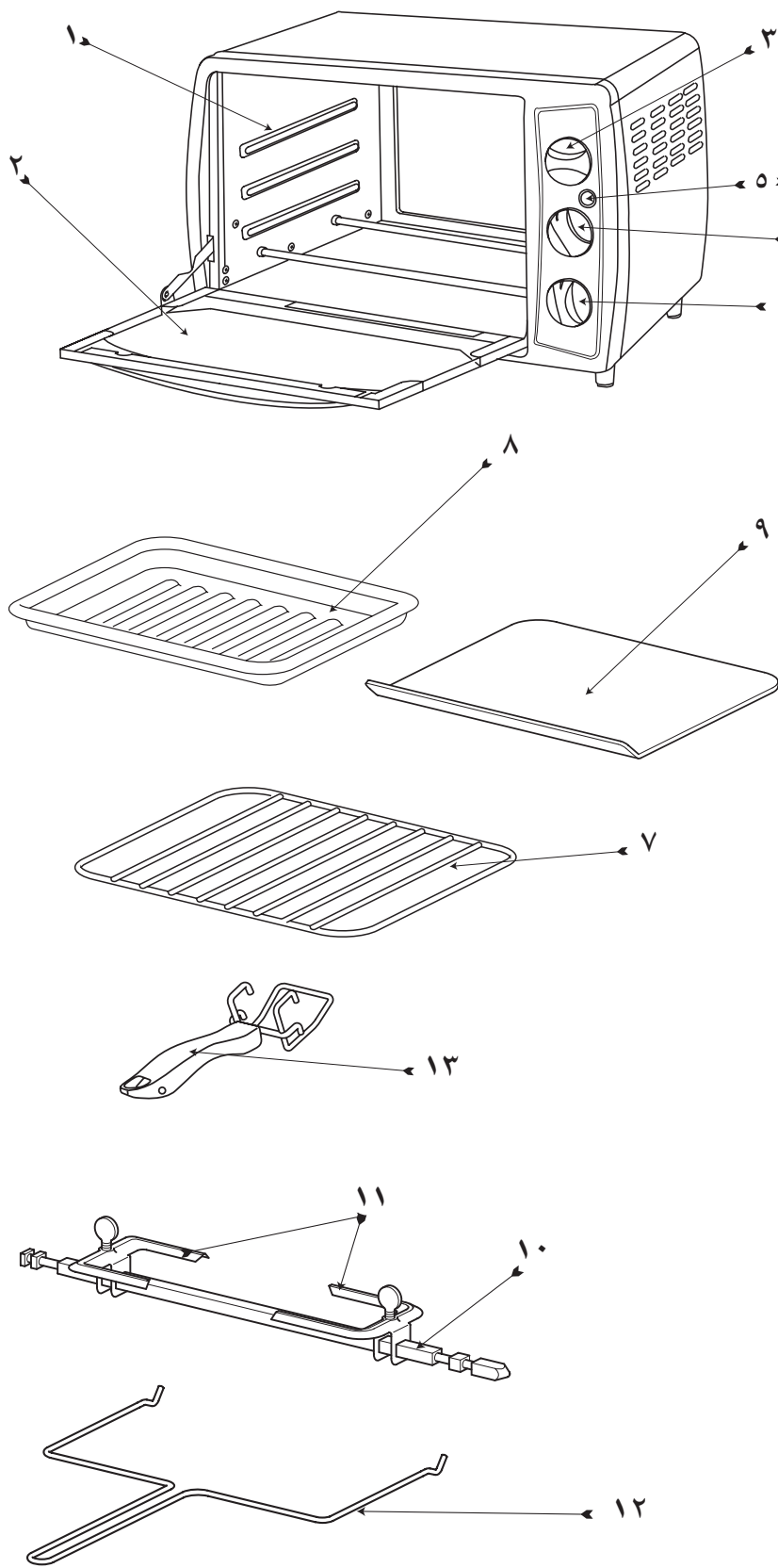
• هنگامی که از دستگاه استفاده نمی کنید، پیش از اقدام به تمیز کردن، و یا به هنگام نصب و تعویض قطعات آن، دستگاه را از پریز برق خارج کنید.

ایمنی دیگران

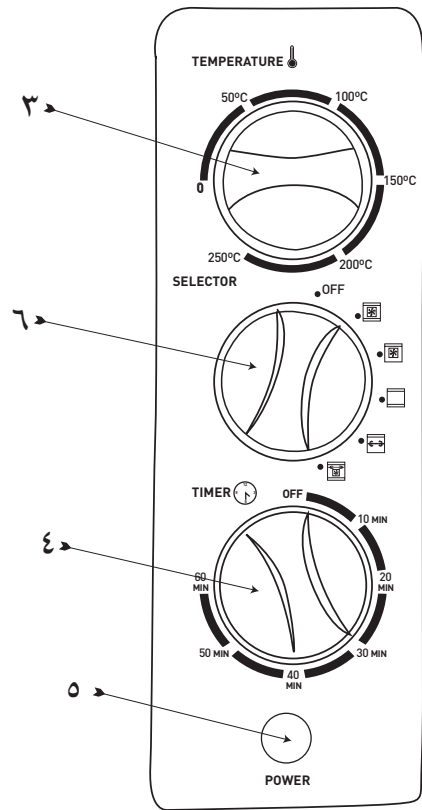
• این دستگاه برای استفاده افرادی که از معلولیت فیزیکی و ذهنی رنج می برند (و از جمله کودکان) و یا اشخاصی که از تجربه و دانش کافی برای استفاده از این دستگاه برخوردار نیستند مناسب نمی باشد، مگر اینکه توسط شخصی که مسئولیت ایمنی آنها را به عهده دارد به آنها در این زمینه آموزش لازم داده شده یا به کار آنها نظارت شود.

• همواره باید بگونه ای به کار کودکان نظارت شود تا با این وسیله بازی نکنند.

• هرگز به کودکان یا افرادی که به کار با این دستورالعمل ها آشنایی ندارند اجازه ندهید که از دستگاه استفاده کنند.



TRO2000



TRO50, TRO55 & TRO60

دستورالعمل های ایمنی مهم

- به هنگام کار با وسایل برقی، موارد پیشگیرانه ایمنی پایه زیر را باید همواره در نظر داشت تا خطر بروز آتش سوزی، شوک الکتریکی، صدمات فردی و همچنین خرابی دستگاه کاهش یابد:
- تمامی دستورالعمل های این راهنما را حتی در صورتی که به کار با دستگاه آشنائی دارید، به دقت مطالعه نمائید.
- جهت محافظت در برابر خطر شوک الکتریکی، هرگز وسیله برقی، سیم و یا پریز آنرا در داخل آب یا هر گونه مایعات دیگر غوطه ور نسازید.
- جهت تمیز نمودن دستگاه، بخش خارجی آنرا با یک پارچه مرطوب پاک نمائید.
- استفاده از دستگاه در جایی که کودکان در آن حضور دارند مستلزم توجه و نظارت کامل می باشد. هرگز در زمان استفاده از دستگاه، آن را بدون مراقبت رها ننمائید.
- در صورتیکه سیم برق و یا دو شاخه دستگاه خراب شده باشد آن به نزدیک ترین مرکز سرویس و تعمیر مجاز و یا اشخاص متخصص تحویل دهید تا مورد تعمیر قرار گرفته و از بروز خطر نیز جلوگیری گردد.
- قبل از تعویض قطعات، پاک کردن و یا بازرسی و تعمیر هر بخش از دستگاه، آنرا خاموش نموده و از برق خارج نمائید. هرگز برای خارج نمودن دستگاه از پریز برق، سیم آنرا نکشیده و یا آنرا با فشار و بطور ناگهانی از پریز خارج ننمائید.
- در صورتیکه سیم برق و یا دو شاخه به هر صورت ممکن صدمه دیده است، هرگز آنرا مورد استفاده قرار ندهید. جهت جلوگیری از بروز هر گونه خطر، دستگاه را با تمامی بخش های آن به نزدیک ترین مرکز سرویس و تعمیر مجاز تحویل دهید تا تعمیرات الکتریکی، مکانیکی و یا تنظیم در مورد آن انجام پذیرفته و از این گذر از بروز هر گونه خطر نیز جلوگیری گردد.
- استفاده از تجهیزات و لوازم جانبی که توسط تولید کننده دستگاه توصیه نشده و بفروش نمی رسد ممکن است باعث بروز آتش سوزی، شوک الکتریکی و یا صدمات فردی گردد.
- هرگز اجازه ندهید تا سیم برق دستگاه از لبه های میز یا پیشخوان آویزان مانده و یا با سطوح داغ در تماس باشد.
- از لمس کردن سطوح داغ دستگاه پرهیز نمائید. برای اینکار همیشه از دستگیره و دسته استفاده نمائید.
- از بکار بردن و یا قرار دادن بخش های این دستگاه در مجاورت و یا روی سطوح داغی (از قبیل خوراک پزهای الکتریکی و یا در داخل فر داغ) جداً پرهیز نمائید.
- هرگز سیم برق دستگاه را بگونه ای غلط مورد استعمال قرار ندهید. از بلند کردن دستگاه توسط سیم برق آن پرهیز نموده و برای جدا نمودن دستگاه از پریز برق، سیم آنرا نکشیده و یا آنرا با فشار و بطور ناگهانی از پریز خارج ننمائید. برای اینکار دو شاخه دستگاه را گرفته و آنرا از برق خارج نمائید.
- به هنگام استفاده از سیم رابط با دستگاه خود، از تناسب سیم با مورد مصرف مورد نظرتان اطمینان یابید.
- این دستگاه تنها برای مصارف داخلی منزل طراحی شده است.
- هرگز شخصاً جهت تعمیر دستگاه اقدام ننمائید. برای این منظور دستگاه خود را به نزدیکترین مرکز خدمات و سرویس بلک اند دکر و یا مراکز سرویس و خدمات مجاز تحویل دهید.

این دستورالعمل ها را جهت مراجعات بعدی در مکانی مطمئن نگهداری نمائید

حماية البيئة



يجب عدم التخلص من هذا المنتج مع بقية النفايات المنزلية.

إذا وجدت في يوم من الأيام أنك بحاجة لشراء جهاز بلاك أند ديكر جديد، أو لم تعد بحاجة للجهاز القديم، لا تتخلص منه مع النفايات المنزلية الأخرى. جهز هذا المنتج للإستلام المنفصل.

الإستلام المنفصل للمنتجات المستعملة ومواد التغليف يسمح بإعادة تصنيع المواد واستعمالها من جديد. إستعمال المواد المعاد تصنيعها يساعد على منع التلوث البيئي ويقلل الطلب على المواد الأولية.



الأنظمة المحلية قد تنص على ضرورة الإستلام المنفصل للمنتجات الكهربائية من المنازل، في مواقع البلدية للنفايات أو بواسطة بائع التجزئة عندما تشتري منتجاً جديداً.

توفر بلاك أند ديكر التسهيلات لاستلام وإعادة تصنيع منتجات بلاك أند ديكر عندما تصل إلى نهاية حياتها العملية. للإستفادة من هذه الخدمة، يرجى إعادة جهازك إلى أي وكيل تصليح معتمد والذي سيقوم باستلامه بالنيابة عنا. يمكنك معرفة موقع أقرب وكيل تصليح معتمد بالنسبة لك بمراجعة مكتب بلاك أند ديكر المحلي على العنوان المبين في هذا الكتيب. تتوفر قائمة بأسماء وكلاء التصليح المعتمدين من بلاك وديكر، كما تتوفر تفاصيل كاملة عن خدمات ما بعد البيع وعناوين الاتصال على شبكة

الإنترنت : www.2helpU.com

ضمان شامل لمدة سنتين لأجهزة BLACK & DECKER المنزلية

تمنح Black & Decker ضماناً شاملاً مدته سنتين لهذا المنتج اعتباراً من تاريخ الشراء. يغطي الضمان عيوب التصنيع أو المواد الداخلة في التصنيع. وفي حالة إصابة المنتج بأي عطل أثناء فترة الضمان، ستقوم شركة بإصلاحه أو (وفقاً لتقدير Black & Decker) استبداله مجاناً.

لا يغطي الضمان الأعطال الناتجة عن الحوادث، سوء الاستعمال، الإهمال، الاستعمال الخاطئ، أو عدم اتباع النظم المعمول بها محلياً. كذلك، لا تنطبق شروط الضمان إذا تمت صيانة أو تصليح المنتج لدى طرف غير معتمد من قبل شركة Black & Decker، أو في حالة استخدام قطع غيار بدون الرجوع إلى الشركة أو الحصول على موافقتها، وتسببت هذه القطع في العطل. وإذا توقف إنتاج أي طراز مع عدم وجود البديل المناسب، فإن لشركة Black & Decker حق اختيار إصلاح المنتج أو استبداله بطراز آخر بنفس القيمة الشرائية.

عند الشراء

املاً بطاقة تسجيل الضمان مع التأكد من وجود الختم الأصلي للتاجر المعتمد (وتوضيح تاريخ الشراء) ثم ارفق إيصال الشراء بالبطاقة. الرجاء الاحتفاظ بهما لإبرازهما في حالة وجود مطالبات في المستقبل.

عملية المطالبة

خذ المنتج المعطل مع بطاقة الضمان وإيصال الشراء بنفسك إلى مركز الصيانة المحلي أو يمكنك إرساله بالبريد المدفوعة أجرته سلفاً. وفي حالة إرسال الجهاز بالبريد أو الشحن، تأكد من تفرغ المنتج من الماء كلياً وقم بتغليفه جيداً في صندوق كرتون مقوى مع إضافة مواد تغليف لملء الفراغات لتفادي إصابته بأي ضرر. ارفق ملاحظة تصف فيها المشكلة لمركز الصيانة وتأكد من كتابة عنوانك.

صمم للاستعمالات المنزلية فقط.

الرف، صينية الفتات، وصينية الطعام

- بمجرد انتهاء الوقت سيتوقف الفرن عن العمل وستتطلب صفارة.
- يجب فحص الطعام قبل ٥-١٠ دقائق من وقت اكتمال الطهي المتوقع.
- امسح ما انسكب من سوائل وما سقط من فتات بقطعة قماش مبللة قليلا .
- امسح صينية الفتات (٩) بقطعة قماش مبللة . جففها جيدا قبل تشغيل الفرن .
- اغسل الرف (٧) بعد أن يبرد بماء ساخن وصابون أو في غسالة الأطباق . لإزالة البقع الصعبة، استخدم لبدة من خيوط النايلون أو البوليستر .

البيانات الفنية

TRO60	TRO55	TRO50	TRO2000		
٢٤٠-٢٢٠	٢٤٠-٢٢٠	٢٤٠-٢٢٠	٢٤٠-٢٢٠	التيار المتغير للفتات	الفتات
١٨٠٠	١٥٠٠	١٥٠٠	١٣٨٠	وات	طاقة غير محملة
٤٢	٣٥	٢٨	١٩	لتر	السعة
١٠,٤	٧,٤	٦,٣	٤,٦	كجم	الوزن

بمجرد انتهاء الوقت سيتوقف الفرن عن العمل وستتطلب صفارة.

يجب فحص الطعام قبل ٥-١٠ دقائق من وقت اكتمال الطهي المتوقع.

التنظيف والصيانة

تنظيف الفرن

تحذير! قبل تنظيف الفرن من الداخل أو الخارج، أطفئ الفرن وانزع القابس من فتحة الكهرباء ودعه يبرد .

تحذير! لا تستخدم مذيبات أو أي نوع من مواد التنظيف أو لبدات التنظيف إلا التي ينصح بها هذا الدليل .

تحذير! لا تستخدم آلة التنظيف بالبخار لتنظيف هذا الجهاز .

تحذير! لا تلمس ملف التسخين، ولا حتى لتنظيفه

• نظف الفرن من الداخل والخارج باستخدام قطعة قماش مبللة . يجب أن يكون الفرن جافا تماما قبل تشغيله .

• أفضل طريقة للحفاظ على نظافة الفرن هي مسح ما ينسكب من سوائل أو فتات بعد كل استخدام .

• الرف (٧) والصينية (٨) هما فقط اللذين يمكن غسلهما داخل غسالة الأطباق .

الباب الزجاجي

تحذير! لا تستخدم بخاخات تنظيف الزجاج لتنظيف الباب الزجاجي (٢) .

• نظف الباب الزجاجي (٢) بقطعة قماش مبللة بماء وصابون . جفف الباب جيدا قبل التشغيل .

نصائح للخبز

المشواة (TRO50، TRO55 & TRO60)

التجميع

- ادخل الطرف المسنن من سيخ المشواة (١٠) في شوكة واحدة (١١) مع التأكد من أن أسنان الشوكة (١١) تقابل نفس اتجاه الطرف المسنن من اللسان.
- حرك الشوكة (١١) في اتجاه القطاع المربع من اللسان وثبتها في مكانها بواسطة المسمار اللولبي.
- ضع اللسان في وسط الطعام المراد طهوه.
- ضع الشوكة الثانية (١١) على الجانب الآخر من اللسان، بحيث تمر الشوكتان في الطعام، وتأكد من أن اللسان يمر في منتصف الطعام المراد طهوه.
- ثبته في مكانه بواسطة المسمار اللولبي.
- عند الحاجة، يمكن تسخين الفرن على النحو المذكور في وصفة الطهي.
- ادخل الطرف المسنن من اللسان بمقبس التوجيه الموجود على الجانب الأيمن من جدار الفرن، وتأكد من استقرار مربع اللسان على دعامة الجانب الأيسر من جدار الفرن.

تشغيل المشواة مع الحمل الحراري (TRO50، TRO55 & TRO60)



- ضع صينية الطعام (٨) في قاع الفرن أسفل الطعام الذي يتم طهيه مباشرة.
- اضبط وحدة التحكم في الحرارة (٣) على الوضع مرتفع.
- تتيح لك وحدة اختيار الوظائف (٦) استخدام العناصر العليا أو السفلى أو كليهما مع مروحة الحمل الحراري.
- اضبط جهاز ضبط الوقت (٤) على زمن الطهي المطلوب، إذا كان الزمن أقل من ١٠ دقائق، اضبط على ١٠ دقائق ثم أعد المفتاح إلى الزمن المطلوب. الفرن يبدأ في التسخين بمجرد لف مفتاح ضبط الوقت.

- كما هو الحال مع الأفران العادية، تحتاج الأطباق المجمدة إلى المزيد من وقت الطهي عن الأطباق مذاقة الثلج، يتم تغطية أعلى الأطباق المجمدة برفق برقاقة من الألومونيوم وكشف الطبق آخر ٥ أو ١٠ دقائق للمساعدة على عملية الطهي حتى الاسمرار، ويجب التأكد من أن الرقاقة لا تلمس عوامل الطهي.

الطهي حتى الاسمرار (العناصر العليا والسفلى) (TRO2000، TRO50، TRO60 & TRO55)



- لا تقم بتسخين الفرن أولاً.
- استخدم دائماً الرف (٧) وصينية الطعام (٨) الموجودتين.
- ضع الرف (٧) في أي من الأوضاع المتاحة.
- ضع الطعام على الرف (٧).
- أغلق الباب الزجاجي (٢).
- اضبط وحدة اختيار الوظائف (٦) على وضع العناصر العليا والسفلى.
- اضبط وحدة التحكم في الحرارة (٣) على درجة الحرارة المطلوبة.
- اضبط جهاز ضبط الوقت (٤) على زمن الطهي المطلوب، إذا كان الزمن أقل من ١٠ دقائق، اضبط على ١٠ دقائق ثم أعد المفتاح إلى الزمن المطلوب. الفرن يبدأ في التسخين بمجرد لف مفتاح ضبط الوقت.
- بمجرد انتهاء الوقت سيتوقف الفرن عن العمل وستتطلق صفارة.
- اطه الطعام بعناية وأخرجه عند الانتهاء من الطهي والاسمرار إلى الدرجة المطلوبة.

الشواء مع الحمل الحراري (TRO50، TRO60 & TRO55)



- الشواء مع الحمل الحراري مماثلاً للشواء، وإن كان الطهي يتم بشكل أسرع نتيجة للنقل الحراري، لهذا قم بتقليل وقت الطهي للملائمة.

التشغيل

تحتوي وحدة اختيار الوظائف (٦) على الجهاز على الرموز التالية:

إيقاف

العناصر العليا تعمل (عند التحميص)
(TRO2000 فقط).



تحميص مع نقل حراري (TRO50، TRO55 & TRO60).

العناصر السفلى تعمل (عند الخبز) (TRO2000 فقط).



الشواء (العناصر العليا والسفلى) (TRO2000، TRO50، TRO55 & TRO60).



شواء مع نقل حراري (TRO50، TRO55 & TRO60).



العناصر العليا والمشواة تعمل (TRO50، TRO60 & TRO55).



المشواة مع نقل حراري والعناصر العليا والسفلى (TRO50، TRO55 & TRO60).



أوضاع الصينية

• ضع الصينية في الوضع العلوي للحصول على طعام ناضج ذهبي الوجه بسرعة، لكن يجب ألا تقل المسافة بين سطح الطعام وعناصر التسخين عن ٢,٥ سم. ضع صينية الطعام في الوضع السفلي عندما ترغب في طهي الطعام لمدة أطول أو عند الرغبة في الحصول على لون فاتح للطعام.

• لا تغطي الرف (٧) بورق الألمنيوم لأنه يمنع السوائل والدهون من السقوط على الصينية (٨) وقد يتسبب في زيادة التسخين داخل الفرن.

• افتح الباب الزجاجي (٢) بالكامل لجذب الرف (٧). استخدم قفازا لتحمي يدك من الحروق.

التحميص (العناصر العليا فقط)
(TRO2000 فقط)



• ضع الرف (٧) في أي من الأوضاع المتاحة.

• ضع الخبز على الرف (٧).

• اضبط وحدة اختيار الوظائف (٦) على وضع العنصر العلوي فقط.

• اضبط وحدة التحكم في الحرارة (٣) على درجة الحرارة المطلوبة.

• اضبط جهاز ضبط الوقت حسب الوقت المطلوب، إذا كان الزمن أقل من ١٠ دقائق، اضبط على ١٠ دقائق ثم أعد المفتاح إلى الزمن المطلوب. الفرن يبدأ في التسخين بمجرد لف مفتاح ضبط الوقت.

• بمجرد انتهاء الوقت سيتوقف الفرن عن العمل وستنطلق صفارة.

• يمكن تكون بخار الماء على السطح الداخلي للباب الزجاجي (٢) في حالة وضع الخبز المبلل أو الطازج. هذا أمر عادي وسيختلف الأمر باختلاف نوع الخبز الذي تقوم بتحميمه.

التحميص مع النقل الحراري (TRO50، TRO55 & TRO60)



يعتبر التحميص مع النقل الحراري مماثلاً "للتحميص"، وإن كان الطهي يتم بشكل أسرع نتيجة للنقل الحراري، لهذا قم بتقليل وقت الطهي للملائمة.

الخبز (العنصر السفلي فقط)
(TRO2000 فقط)



• ضع الرف (٧) في أي من الأوضاع المتاحة.

• ضع الطعام على الرف (٧).

• أغلق الباب الزجاجي (٢).

• اضبط وحدة اختيار الوظائف (٦) على وضع العنصر السفلي فقط.

• اضبط وحدة التحكم في الحرارة (٣) على درجة الحرارة المطلوبة.

• اضبط جهاز ضبط الوقت (٤) على زمن الخبز المطلوب.

• اضبط جهاز ضبط الوقت حسب الوقت المطلوب، إذا كان الزمن أقل من ١٠ دقائق، اضبط على ١٠ دقائق ثم أعد المفتاح إلى الزمن المطلوب. الفرن يبدأ في التسخين بمجرد لف مفتاح ضبط الوقت.

• بمجرد انتهاء الوقت سيتوقف الفرن عن العمل وستنطلق صفارة.

لا تضع أبدا هذا الأشياء داخل الفرن

- العبوات محكمة الغلق مثل العلب أو أوعية الأطعمة المعدنية محكمة الغلق.
 - الأغشية الزجاجية على أواني الطهي من المعدن أو الزجاج.
 - الأغلفة البلاستيكية والأغشية المصنوعة من الكرتون.
 - الأوعية التي يزيد حجمها عن الحجم الموصى به (الأوعية الأكبر أو الأكثر ارتفاعا ستؤثر على دورة الهواء).
 - الأوعية المبيّن عليها أنها لا تصلح للاستخدام داخل الأفران.
- عادة ما تكون الأطعمة المجمدة سابقة التجهيز محفوظة في أوعية غير معدنية مناسبة للاستخدام داخل الميكروويف والأفران العادية. راجع التعليمات على عبوة الطعام لتتحقق من أنها ملائمة للاستخدام داخل الأفران العادية.
- عند استخدام تلك الحاويات في الفرن، تأكد دائما من أن تقوم بتسخين الفرن يسخن لمدة خمس دقائق قبل ن تضع عبوة الطعام به.
- انزع الأغلفة البلاستيكية و الورقية التي تكون معدة للاستخدام داخل الميكروويف فقط.
- ضع وعاء الطعام على الصينية (٧) واتركه داخل الفرن للمدة المطلوبة أو حتى تمام التسخين.
- لا تستخدم هذه الأوعية للطهي أو إعطاء وجه الطعام لونا ذهبيا

السلامة من مخاطر الكهرباء

جب توصيل هذا المنتج بالأرضي. تحقق دائما من أن فولت مصدر الكهرباء مماثل للفولت المطلوب المبيّن على الجهاز.



يجب أن يكون القابس مناسباً لفتحة الكهرباء. لا تجري أي تعديلات من أي نوع على القابس. لا تستخدم مكيف القابس مع الأجهزة المتصلة بالأرضي (من الفئة ١). عدم تعديل القابس واستخدام فتحات الكهرباء المناسبة يحد من مخاطر الصدمات الكهربائية.

كابلات الإطالة والأجهزة من الفئة ١

يجب استخدام كابل إطالة ذي قلب ثلاثي لأن الجهاز به خط للأرضي وهو جهاز من الفئة ١. يمكن استخدام سلك طوله ٣٠ مترا (١٠٠ قدم) دون حدوث فقد في الطاقة.



تعليمات إضافية لخاصة بالفرن

- يمكن استخدام الأوعية المصنوعة من المعدن والزجاج الحراري، والخزف الزجاجي داخل الفرن.
 - اتبع تعليمات المصنع عند استخدام الزجاج الحراري والخزف داخل الفرن. عند استخدام الزجاج الحراري أو الخزف الزجاجي داخل الفرن تأكد من أن تكون حافة الإناء على مسافة ٢,٥ سم على الأقل من ملف التسخين العلوي.
- ١ دعامات أرفف
- ٢ باب زجاجي
- ٣ التحكم في درجة الحرارة
- ٤ جهاز ضبط الوقت
- ٥ مصباح للدلالة على وصول الطاقة
- ٦ وحدة اختيار الوظائف
- ٧ الرف
- ٨ صينية الطعام
- ٩ صينية فتات الخبز
- ١٠ سيخ المشواة
- ١١ شوكلات المشواة
- ١٢ مقبض المشواة.
- ١٣ مقبض صينية الطعام.

الاستخدام

- بعد التنظيف، يمكن دهن الصينية (٧) بالزبد أو السمن.

تعليمات الأمان الخاصة بالأفران الكهربائية

تنبيه! ترتفع درجة حرارة الأجزاء الخارجية أثناء تشغيل الجهاز. يجب عدم اقتراب الأطفال.

ستجد هذه الرموز على جهازك



تعني سطحنا ساخن

- ضع السلك في مسار مناسب لتجنب مخاطر التعثر.
- لا تترك السلك متدليا على الأسطح المكشوفة.
- اترك فراغا مناسباً حول الجهاز وفوقه للتهوية.
- يجب توخي الحذر أثناء فتح الجهاز لأن الهواء الساخن قد يتسرب منه.
- الباب الزجاجي والسطح الخارجي للفرن يسخنان بشدة أثناء التشغيل. كما ترتفع درجة حرارة السوائل والزيوت بشدة. ارتد قفاز الفرن عند فتح الباب الزجاجي أو إخراج الصينية من الفرن.
- يجب الحرص لتجنب لمس عناصر الحرارة داخل الفرن.
- لا تغطي الصواني أو القطع الأخرى بورق الألمنيوم الحراري حتى لا يتسبب في زيادة درجة الحرارة.
- الأسطح قد تكون ساخنة أثناء التشغيل وأثناء ترك الفرن ليبرد.
- لا تستخدم آلة التنظيف بالبخار لتنظيف هذا الجهاز.
- لا تغمس الجهاز أو السلك أو القابس في أي سائل.

- لا تسمح للأطفال أو الحيوانات بالاقتراب من مكان الجهاز أو لمسه أو لمس السلك الخاص به.
- يجب الانتباه عند تشغيل الجهاز في مكان قريب من الأطفال.

بعد الاستخدام

- أطفئ الجهاز وانزع القابس من فتحة الكهرباء قبل ترك الجهاز وقبل تنظيف الجهاز أو فحص أي من أجزائه.
- عند عدم استخدام الجهاز يجب تخزينه في مكان جاف. يجب حفظ جميع الأجهزة بعيداً عن متناول الأطفال.

الفحص والإصلاح

- قبل الاستخدام، يجب فحص الجهاز للتحقق من عدم وجود أجزاء مكسورة أو تالفة. تأكد من عدم وجود كسور في الأجزاء، أو وجود تلف في الأزرار أو أي عيب قد يؤثر على تشغيل الجهاز.
- لا تستخدم الجهاز إذا وجدت فيه أي عيب أو تلف.
- يجب أن تقوم جهة مرخصة بإصلاح الأجزاء المكسورة أو التالفة.
- قبل الاستخدام، تحقق من عدم وجود أجزاء تالفة أو بالية في السلك.
- لا تستخدم الجهاز في حالة وجود عيب أو تلف في القابس أو السلك.
- إذا تلف السلك، يجب أن يتم استبداله عن طريق جهة تصنيعه أو وكيلها أو أي جهة مؤهلة لتجنب حدوث مخاطر.
- لا تحاول استبدال أو تغيير أي أجزاء غير المنصوص عليها في هذا الدليل

التعرف على أجزاء الجهاز

١ دعامات الأرفف

٢ الباب الزجاجي

٣ وحدة التحكم في الحرارة

٤ جهاز ضبط الوقت

٥ مصباح للدلالة على وصول الطاقة

٦ وحدة اختيار الوظائف

٧ الرف

٨ صينية الطعام

٩ صينية كسرات الخبز

١٠ سيخ المشواة

١١ شوكلات المشواة

١٢ مقبض المشواة.

١٣ مقبض صينية الطعام.

الاستخدام المحدد

تم تصميم فرن التحميص بلاك آند ديكر لأغراض التحميص والخبز، ولا يجب استخدامه لأي أغراض أو استخدامات أخرى، صمم هذا الجهاز للاستخدام المنزلي فقط.

تعليمات السلامة

تحذير! عند استخدام الأجهزة التي تعمل بموصلات رئيسية، يجب اتخاذ احتياطات الأمان الأساسية، بما فيها الاحتياطات التالية، للحد من مخاطر الحريق، والصدمات الكهربائية، والإصابات، والخسائر المادية.

اقرأ هذا الدليل بالكامل بعناية قبل تشغيل الجهاز



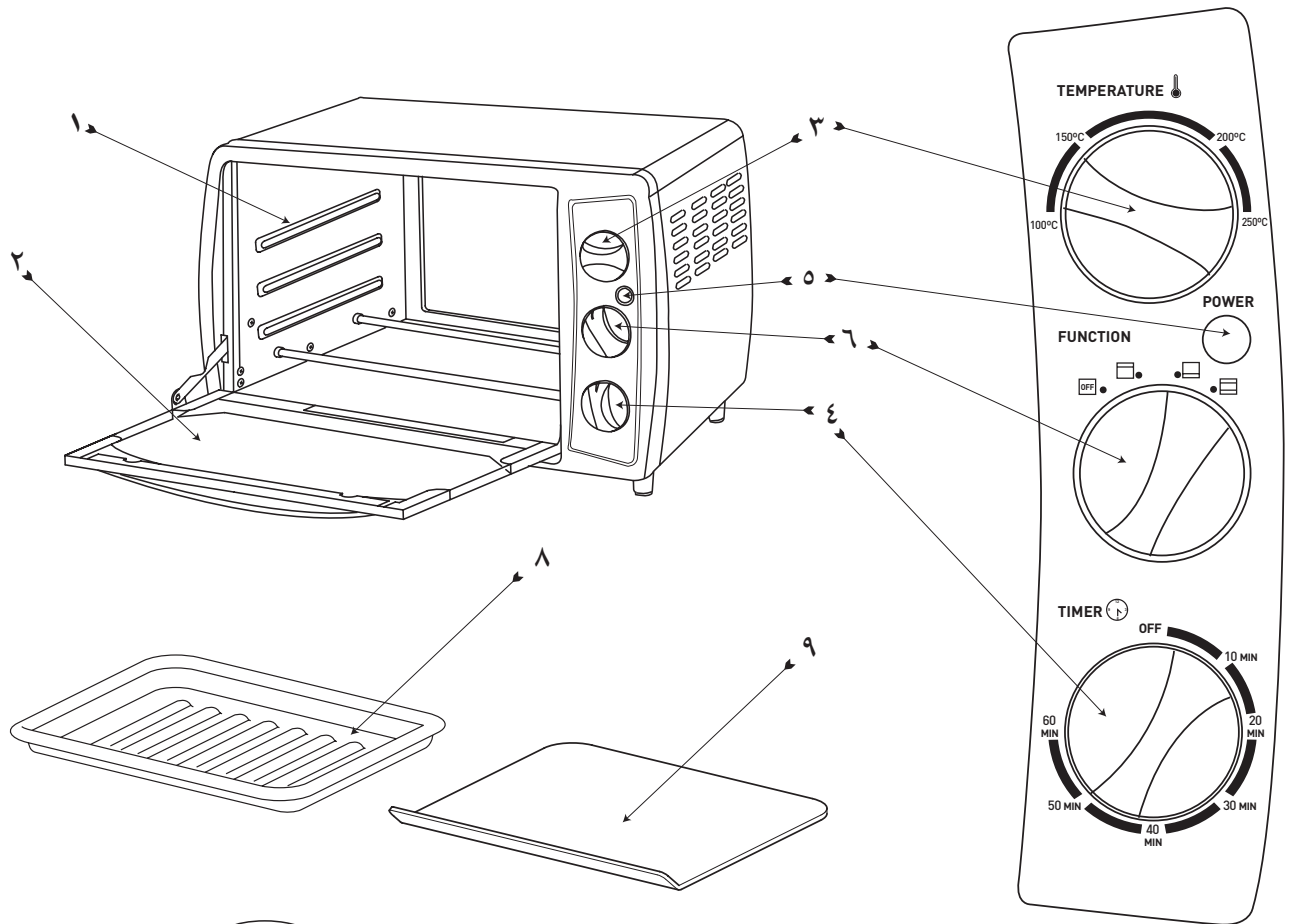
- يحدد هذا الدليل الاستخدام المصمم للجهاز له. استخدام أي قطع كمالية أو ملحقة غير الموجودة مع الجهاز أو استخدام الجهاز في غرض غير المنصوص عليه في هذا الدليل قد يشكل خطراً أو يؤدي إلى حدوث إصابة.
- احتفظ بهذا الدليل للرجوع إليه عند الحاجة.

استخدام الجهاز

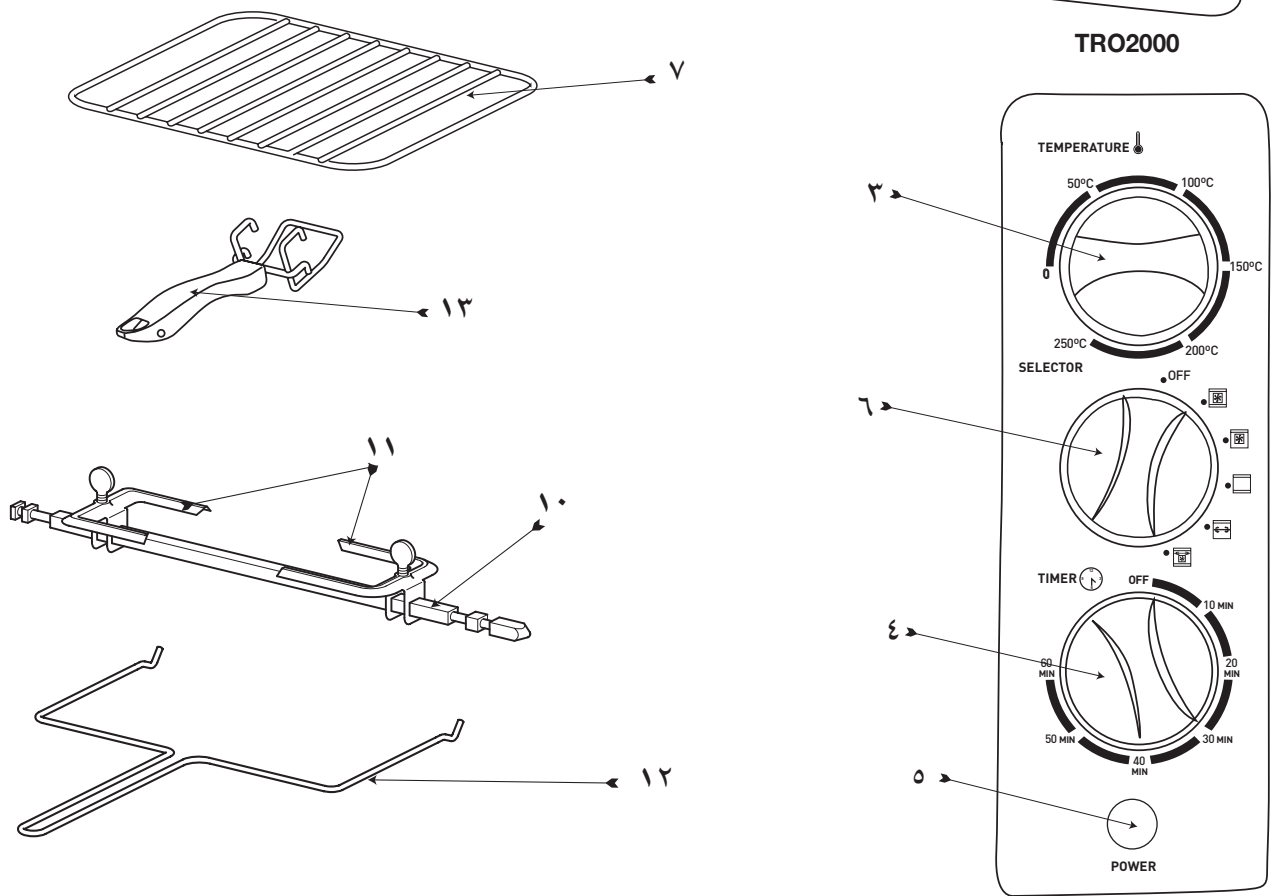
- تأكد من أن الجهاز مطفأ قبل توصيل الكهرباء له أو قطعها عنه.
- استخدام الجهاز بحذر دائماً.
- لا تستخدم الجهاز خارج المنزل.
- لا تجذب السلك لفصل القابس من فتحة الكهرباء. إحتفظ السلك بعيداً عن الحرارة والزيوت والحواف الحادة.
- إذا حدث تلف للسلك أثناء التشغيل، قم بفصل القابس من فتحة الكهرباء فوراً ولا تلمس السلك قبل نزع القابس من فتحة الكهرباء.
- افصل الجهاز عن الكهرباء في حالة عدم تشغيله، وقبل إجراء أي صيانة، وقبل تركيب أو فك أي قطعة، وقبل التنظيف.

سلامة الآخرين

- هذا الجهاز غير مصمم للاستخدام من قبل أشخاص (بما في ذلك الأطفال) يعانون من نقص في القدرات البدنية أو الحسية أو العقلية أو تنقصهم الخبرة أو المعلومات إلا تحت إشراف أو بتعليمات من الشخص المسئول عن سلامتهم.
- يجب التأكد من عدم قيام الأطفال باللعب بالجهاز.
- لا تسمح للأطفال أو لأي شخص لا يعرف تعليمات التشغيل باستخدام الجهاز.



TRO2000



TRO50, TRO55 & TRO60

إرشادات هامة

- هناك احتياطات سلامة يجب اتباعها أثناء استخدام الأجهزة الكهربائية للتقليل من خطر الحريق والصدمة الكهربائية و/أو إصابة الأشخاص وتشمل هذه الاحتياطات ما يلي:
- قراءة كل هذه التعليمات بعناية حتى ولو كنت على دراية باستخدام الجهاز
- لا تغمر الجهاز أو مجموعة الأسلاك أو القابس في الماء أو السوائل الأخرى حتى لا تتعرض لصدمة كهربائية.
- استخدم قطعة قماش مبللة لتنظيف ومسح الجزء الخارجي من الجهاز
- راقب الأطفال عن كثب عند استخدام الجهاز بالقرب منهم. لا تترك الجهاز دون مراقبة أثناء استخدامه.
- في حالة تلف سلك الطاقة، يرجى الاستعانة بمصنع الجهاز أو وكيل الخدمة المعتمد أو أي فني على نفس درجة التأهيل لاستبدال السلك التالف وذلك لتجنب أي مخاطر ممكنة
- قم بفصل الجهاز وانزع القابس من مأخذ التيار أثناء عدم الاستخدام أو قبل تركيب أو فك أجزائه أو تنظيف أو إجراء صيانة للجهاز. لا تشد السلك لنزع القابس من مأخذ التيار.
- لا تشغل الجهاز بسلك أو قابس تالف، يجب الاستعانة بمركز الخدمة المعتمد لمعاينة الجهاز أو إصلاحه كهربائياً أو ميكانيكياً لتجنب أي خطر.
- قد تترتب مخاطر الحريق أو الصدمة الكهربائية أو إصابة الأفراد على استخدام الملحقات الثانوية التي لم يوصي بها منتج الجهاز أو يبيعهها.
- لا تدع السلك يتدلى فوق حافة المنضدة أو يلامس أسطحاً ساخنة.
- تجنب ملامسة الأسطح الساخنة مع مراعاة استخدام المقابض
- لا تضع الجهاز أو أي جزء من أجزائه على أسطح ساخنة (مثل فرن غاز أو فرن كهربائي ساخن أو في فرن تم إحمائه) أو بالقرب منها.
- لا تسئ استخدام السلك. ولا تحمل الجهاز أبداً عن طريق السلك أو شده لفصله من مأخذ التيار. اقبض على القابس دائماً واسحبه لفصله.
- في حالة استخدام سلك تمديد، يرجى التأكد من توصيله بشكل سليم وأنه صالح للاستخدام مع هذا الجهاز
- هذا الجهاز معد للاستخدام المنزلي فقط
- لا تحاول إصلاح الجهاز بنفسك. وبدلاً من ذلك، استعن بأقرب مركز خدمة تابع أو معتمد من شركة بلاك أند ديكر لإصلاح الجهاز

احتفظ بهذه التعليمات

Names & Addresses for Black & Decker Service Concessionaries

Afghanistan: Ishan National Co., Opp. Ministry of Justice, Kabul. Tel.: +93-2-2101727. **Algeria:** SARL Outillage Corporation, 04 Route De Dely Brahim Cheraga, Alger. Tel.: +213-21-364363/508, Fax: +213-21-369667. **Bahrain:** Fawaz Al Zayani, P.O.Box 26563, Adliya, Manama. Tel.: +973-17-715252/712756, Fax: +973-17-713789. **Bangladesh:** Ultra Corporation, 8, Kushol Centre, Uttara, Dhaka 1230. Tel.: +880-2-8919272/9756 Ext.28, Fax: +880-2-9887167. **Egypt:** Anasia Egypt for Trading S. A. E., P.O.Box 2443, 110 Mostafa Refaat Street, Sheraton Heliopolis 11361, Cairo. Tel.: +20-2-2684159, Fax: +20-2-2684169. **Ethiopia:** Tewfik Sherif & Co. Ltd., P.O.Box 5583, Debre Zeit Road, Addis Ababa. Tel.: +251-1-651700/601, Fax: +251-1-650570. **India:** Gryphon Impex Pvt. Ltd., D-6/4, Okhla Industrial Area, Phase-I, New Delhi-110020. Tel.: +91-11-26372602-4, Fax: +91-11-26372601. **Iran:** Tehran - Service Centre of Iran, No 510, South Karger Ave, Below Pasteur Sq. Tehran. Tel.: +98-21-6490608/0656/6407672. **Kish Island:** Cayhan Electric Co., No. 69, Paradise Shopping Centre, Kish Island. Tel.: +98-76444-22894. **Jordan:** Bashiti Hardware, P.O.Box 1564, TLA Ali, Amman. Tel.: +962-6-5350009/4770741, Fax: +962-6-5350012/4789783. **Kenya:** Zylog Enterprises, IPS Building, Kuanda Street, P.O.Box 40877, Nairobi. Tel.: +254-2-338188/199, Fax: +254-2-330642. **Kuwait:** Al Omar Technical Co., P.O.Box 4062, 13041 Safat, Kuwait. Tel.: +965-4848595/0039, Fax: +965-4845652. **Lebanon:** Est. F.A. Kettaneh SA, P.O.Box 110242, Dora Highway, Kettaneh Building, Beirut. Tel.: +961-1-255860/6, Fax: +961-1-255891. **Libya:** El Ghoul Brothers, P.O.Box 348, Islamic Call Bldg., Office 201-202, Benghazi. Tel.: +218-61-9097681/4183, Fax: +218-61-9094123. **Madagascar:** Group Tana Confort S. A. R. L., B. P. 1770, Antananarivo. Tel.: +261-20-2264505, Fax: +261-20-2264244. **Malta:** John G. Cassar Ltd., 36 Victory Str, Qormi QRM 06, Malta. Tel.: +356-21-493251, Fax: +356-21-483231. **Mauritius:** Happy World Marketing Ltd., Block 2, Industrial Estate, Coromandel, P.O.Box 429, Port Louis. Tel.: +230-2076700, Fax: +230-2337330/7400. **Nepal:** Universal Trading Centre, P.O.Box 1947, Tripureswor, Kathmandu. Tel.: +977-1-262192/260587/785, Fax: 261154. **Nigeria:** Amin Bros. Eng. Co. Ltd., 30A (Plot 1291), Akin Adesola Street, Victoria Island, Lagos. Tel.: +234-1-3201778, Fax: +234-1-2613667. **Oman:** Oman Mktg. & Service Co., P.O.Box 2734, Ruwi, Muscat. Tel.: +968-560232, Fax: +968-560255. **Pakistan:** Karachi - Ammar Service & Spares, 60, Bank Arcade, Serai Road, Karachi. Tel.: +92-21-2426905, Fax: 2427214/5243. **Pakistan:** Lahore - Electronics Inn, 212-G Raja Centre, Main Market, Gulberg, Lahore. Tel.: +92-42-5756750. **Philippines:** Modern House International Enterprises, 213 Rizal Ave. Extension, between 2nd and 3rd Ave. Kalookan City. Tel.: +632 366-4487, Fax: +632 366-4489. **Qatar:** Al Muftah Trading & Cont., P.O.Box 875, Doha. Tel.: +974-4650880/4446868, Fax: +974-4441415. **Saudi Arabia:** Dammam - Ebrahim Fawaz Al Zayani, P.O.Box 76026, Al Raka, Dammam. Tel.: +966-3-8140914, Fax: +966-3-8140824. **Jeddah:** Anasia Trading Co. Ltd. Caravan Shopping Centre, Hail Street. P. O. Box 50959, Jeddah-21477, Tel. 02 650 0948/02 636 3825, Fax 02 638 0720. **Madina:** Garziz Trdg. for Bldg. Mat.&Decor., P.O.Box 3364, Madina. Tel.: +966-4-8261490/8227636, Fax: +966-4-8265741. **Riyadh:** Anasia Trading Co Ltd. New Akaria Building, 60th St., 3rd Floor, Building # 4, Office # 3402, Malaz. P. O. Box. 18689, Riyadh-11425, Tel.: 01 478 2549, Fax: 01 478 2761. **Yanbu:** Bin Afif, P.O.Box 530 Yanbu, Al Bahr. Tel.: +966-4-3222626/8867, Fax: +966-4-3222210. **Sri Lanka:** Delmege Gen. Equip. Pvt. Ltd., No. 428/1AT. B., Jaya Mawatha (Darley Road), Colombo-10. Tel.: +94-11-2665914, Fax: +94-11-2665915. **Sudan:** United Distribution Company, P.O.Box 325, Sayed Abdul Rehman Street, Khartoum. Tel.: +249-11-772612/777296, Fax: +249-11-770919. **Tanzania:** General Motors Investment, P. O Box 16541, 14 Vingunguti Nyerere Road, Dar Es Salaam. Tel.: +255-22-2862661/5022, Fax: +255-22-2862667/5412/3. **Tunisia:** STE Tunisienne De Quincaillerie Stq., Nvelle Z.I 2013, Ben Arous, Tunis, Tunisia, Tel: +216 71386102, Fax: +216 71380412. **UAE:** Abu Dhabi - Light House Electric., P.O.Box 120, Abu Dhabi. Tel.: +971-2-6726131, Fax: +971-2-6720667. Dubai - Black & Decker (O) A.G., P.O.Box 5420, Dubai. Tel.: +971-4-7028234/233, Fax: +971-4-2822765. Ideal Mach. & Equipt. R. W/shop P.O.Box 37116, Al Quoz, Dubai. Tel.: +971-4-3474160, Fax: +971-4-3474157. Sharjah - McCoy Middle East LLC, P.O.Box 20228, Sharjah. Tel.: +971-6-5336321, Fax: +971-6-5336320. **Uganda:** The Building Centre, Kitgum House, 52 Station Road, P.O.Box 7436, Kampala. Tel.: +256-41-234567, Fax: +256-41-236413. **Yemen:** Aden - Middle East Trad. Co. Ltd., Mulla Dakka, Aden. Tel.: +967-2-240950, Fax: +967-2-240952. **Sana'a:** Middle East Trad. Co. Ltd., P.O.Box 12363, Hayel Street, Sana'a. Tel.: +967-1-204201, Fax: +967-1-204204. **Taiz:** Middle East Trad. Co. Ltd., Campa area near Al-Kair mosque, Taiz. Tel.: +967-4-231610/232033, Fax: +967-4-219869. **Zimbabwe:** J.D.Distributors, P.O.Box 226, 17 Bessemer Road, Graniteside, Harare. Tel.: +263-4-753913-7, Fax: 753918. **Cyprus:** G. Kyprianou Trading Co Ltd., 51 Prodromou AVE. Strovolos, 1681, P.O. Box 23318 Nicosia Cyprus. Tel.: 00357 22 468170/1, Fax: 00357 22 468186, Email gklttd@spidernet.com.cy



WARRANTY REGISTRATION CARD

YOUR NAME/الإسم _____

YOUR ADDRESS/العنوان _____

POSTCODE/الرمز البريدي _____

DATE OF PURCHASE/تاريخ الشراء _____

DEALER'S NAME & ADDRESS/إسم وعنوان البائع _____

PRODUCT MODEL NO. TRO2000/TRO50/TRO55/TRO60