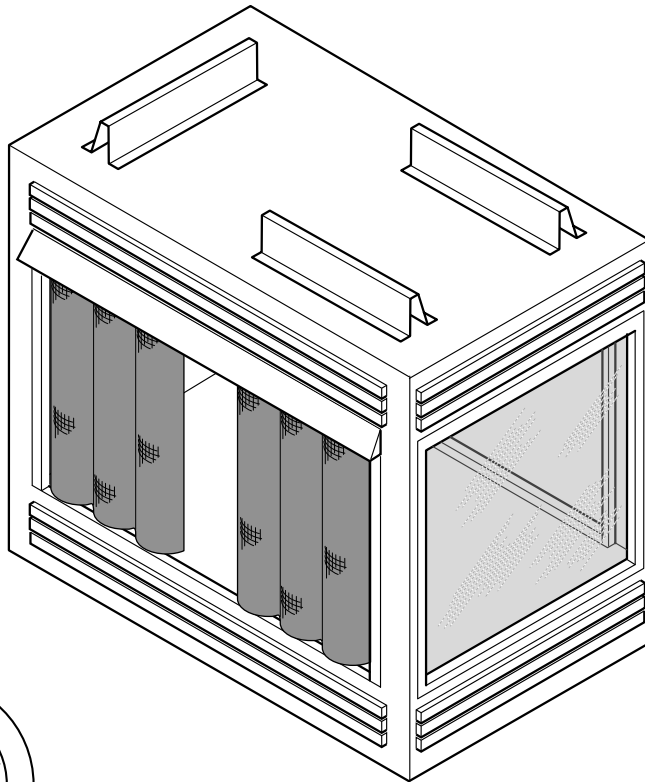


# DESIGNER VENT-FREE FIREBOXES

## INSTALLATION AND OPERATING INSTRUCTIONS

**MODELS**  
**GSTF36**  
**GPF36**  
**GRCF36**  
**GLCF36**



**With 2-in-1  
Flexible-Face  
Radiant  
Conversion Kit  
(Except for Corner Units)**



For use with listed gas-fired unvented decorative type room heaters not to exceed 40,000 BTU/hr. **DO NOT BUILD A WOOD FIRE.**

Carefully review the instructions supplied with the decorative type unvented room heater for the minimum fireplace size requirement.

**DO NOT INSTALL AN APPLIANCE IN THIS FIREBOX UNLESS THIS FIREBOX MEETS THE MINIMUM DIMENSIONS REQUIRED FOR THE INSTALLATION.**

### WARNINGS

If the information in this manual is not followed exactly, a fire or explosion may result causing property damage, personal injury or loss of life.

- Do not store or use gasoline or other flammable vapors and liquids in the vicinity of this or any other appliance.
- **WHAT TO DO IF YOU SMELL GAS**
  - Do not try to light any appliance.
  - Do not touch any electrical switch; do not use any phone in your building.
  - Immediately call your gas supplier from a neighbor's phone. Follow the gas supplier's instructions.
  - If you cannot reach your gas supplier, call the fire department.
- Installation and service must be performed by a qualified installer, service agency or the gas supplier.

**WARNING:** Improper installation, adjustment, alteration, service or maintenance can cause injury or property damage. Refer to this manual. For assistance or additional information consult a qualified installer, service agency, or the gas supplier.

**READ AND SAVE THESE INSTRUCTIONS**

---

## CONTENTS

---

IMPORTANT SAFETY INFORMATION .....	3
GENERAL INSTALLATION INFORMATION.....	4
LOCATION OF FIREBOX.....	5
CLEARANCES and HEIGHT REQUIREMENTS.....	7
FIREPLACE FRAMING .....	9
FIREPLACE INSTALLATION .....	11
GAS LINE INSTALLATION .....	14
CANOPY and RADIANT PLATE INSTALLATION.....	15
SCREEN and OPTIONAL EQUIPMENT INSTALLATION .....	16
BLOWER INSTALLATION .....	17
GLASS REMOVAL FOR CLEANING .....	19
ILLUSTRATED PARTS LIST .....	20
WARRANTY .....	
BACK COVER .....	

## IMPORTANT SAFETY INFORMATION

### INSTALLER

Please leave these instructions with the owner.

### OWNER

Please retain these instructions for future reference.

### IMPORTANT

Read these instructions carefully before installing this vent-free firebox.

### WARNING

- **Improper installation or use of the firebox can cause serious injury or death from fire, burns, explosion or carbon monoxide poisoning.**
- **Do not allow fans to blow directly into the fireplace. Avoid drafts that alter burner flame patterns.**
- **Do not use a blower insert, heat exchanger insert or other accessory, not approved for use with this firebox where applicable.**

1. Due to high temperatures, the firebox should be located out of traffic and away from furniture and draperies.
2. Children and adults should be alerted to the hazard of high surface temperature and should stay away to avoid burns or clothing ignition.
3. Young children should be carefully supervised when they are in the same room with the firebox.
4. Do not place clothing or other flammable material near the fireplace when the firebox is in use.
5. Any safety screen or guard removed for servicing, must be replaced prior to operating a heater within the firebox.
6. Installation and repair should be done by a qualified service person.
7. To prevent malfunction and/or sooting, an unvented gas heater/firebox should be cleaned at least annually by a professional service person. More frequent cleaning may be required due to excessive lint from carpeting, etc. It is imperative that control compartments, burners and circulating air passageways be kept clean.
8. The installation must conform with local codes or, in the absence of local codes, with the National Fuel Gas Code, ANSI Z223.1/NFPA 54.
9. This unit complies with Z21-91 Ventless Firebox Enclosures for gas-fired unvented decorative room heaters.
10. Do not install the firebox in a bathroom or bedroom.
11. Avoid any drafts that alter burner flame patterns. Do not allow fans to blow directly into fireplace. Do not place a blower inside burn area of firebox. Ceiling fans may create drafts that alter burner flame patterns. Sooting and improper burning will occur.
12. **Caution:** Candles, incense, oil lamps, etc. produce combustion byproducts including soot. Vent-free appliances will not filter or clean soot produced by these types of products. In addition, the smoke and/or aromatics (scents) may be reburnt in the vent-free appliance which can produce odors. It is recommended to minimize the use of candles, incense, etc. while the vent-free appliance is in operation.
13. Keep room area clear and free from combustible materials, gasoline and other flammable vapors and liquids.
14. During manufacturing, fabricating and shipping, various components of this appliance are treated with certain oils, films or bonding agents. These chemicals are not harmful but may produce annoying smoke and smells as they are burned off during the initial operation of the appliance; possibly causing headaches or eye or lung irritation. This is a normal and temporary occurrence.  
  
The initial break-in operation should last 2-3 hours with the burner at the highest setting. Provide maximum ventilation by opening windows or doors to allow odors to dissipate. Any odors remaining after this initial break-in period will be slight and will disappear with continued use.
15. Always have a fireplace screen in place when the appliance is in operation and, unless other provisions for combustion air are provided, the screen shall have an opening(s) for induction of combustion air.

---

## GENERAL INSTALLATION INFORMATION

---

**DO NOT ATTEMPT TO BURN SOLID WOOD FUELS, VENTED GAS LOG SETS, OR ANY OTHER COMBUSTIBLE IN THIS UNVENTED FIREBOX. ALSO, DO NOT INSTALL A VENT-FREE GAS LOG SET IN THIS FIREBOX IF THE MINIMUM CLEARANCE AND HEIGHT REQUIREMENTS OF THE LOG SET ARE TOO LARGE FOR THE FIREBOX.**

The GSTF36, GPF36, GRCF36, and GLCF36 Series are vent-free fireboxes. They feature a self-contained heat-circulating system. These units also feature a 2-in-1 flexible-face system (except for corner unit) that converts the circulating system into a radiant system in seconds.

This installation manual will enable you to obtain a safe, efficient, and dependable installation of your vent-free fireplace system.

Do not alter or modify the firebox or its components under any circumstances. Any modification or alteration of the firebox system, including but not limited to the firebox and accessories, may void the warranty, listings and approvals of this system and could result in an unsafe and potentially dangerous installation.

### BEFORE YOU START:

**CHECK YOUR PACKING LIST TO VERIFY THAT ALL LISTED PARTS HAVE BEEN RECEIVED.**

**ALSO INSPECT THE CONTENTS FOR SHIPPING DAMAGE AND IMMEDIATELY INFORM YOUR DEALER IF ANY DAMAGE IS FOUND.**

You should have the following:

- |  |   |
|--|---|
| 1. Vent-Free Gas Firebox                   | 4. Four (4) masonry screws  |
| 2. One (1) - 36" Canopy (GRCF36/GLCF36)    | 5. Twenty (20) sheet metal screws for canopy and other installation |
| One (1) - 20" Canopy (GRCF36/GLCF36)       | 6. Four (4) nuts and bolts for grate                                |
| Two (2) - 36" Canopys (GSTF36/GPF36)       | 7. Four (4) radiant face plates (GSTF36/GPF36 only)                 |
| 3. Installation and Operating Instructions | 8. Pull screen (GRCF36/GLCF36 units only)                           |

### ITEMS REQUIRED FOR INSTALLATION

#### TOOLS:

Phillips screwdriver	Square
Hammer	Piping complying with local codes
Saw and/or saber saw	Tee joint
Level	Pipe wrench
Measuring tape	Pliers
Electric drill and bits	Pipe sealant approved for use with propane/LPG ( <i>resistant to sulfur compounds</i> )

#### BUILDING SUPPLIES:

Framing materials  
Wall finishing materials  
Caulking material (*noncombustible*)  
Fireplace surround materials (*noncombustible*)

Refer to the installation instructions provided with the log sets for items required for log set installation.

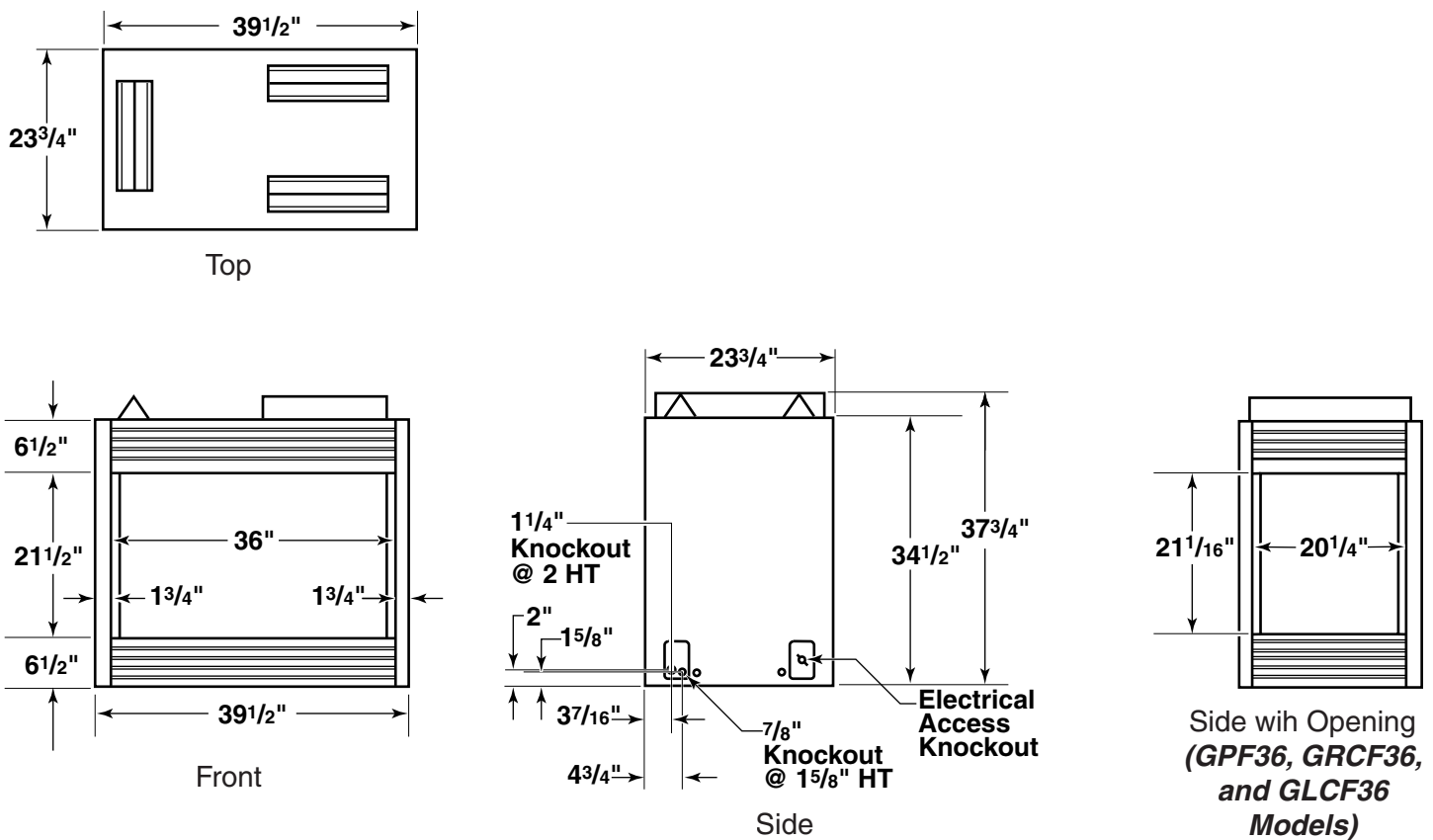
#### NOTICE

**Illustrations shown in this manual reflect "typical" installations with nominal dimensions and are for design and framing reference only. Actual installations may vary due to individual design preferences. However, always maintain minimum clearances to combustible materials and do not violate any specific installation requirements.**

## GENERAL INSTALLATION INFORMATION

In planning the installation for the appliance it is necessary to determine where the unit is to be installed and whether optional accessories are desired. Gas supply piping should also be planned. The following steps represent the normal sequence of installation. Each installation is unique, however, and might require a different sequence.

1. Position firebox prior to framing or into prepared framing.
2. Field wire main power supply to circulating models with fan kit. (Electrical connections should only be performed by an experienced, licensed/certified tradesman).
3. Plumb gas line. (Gas connections should only be performed by an experienced, licensed/certified tradesman).
4. Install vent-free gas log heater per the instructions provided with the vent-free gas log heater.
5. Complete finish wall material and surround to your individual taste.



**Figure 1 - Firebox Dimensions**

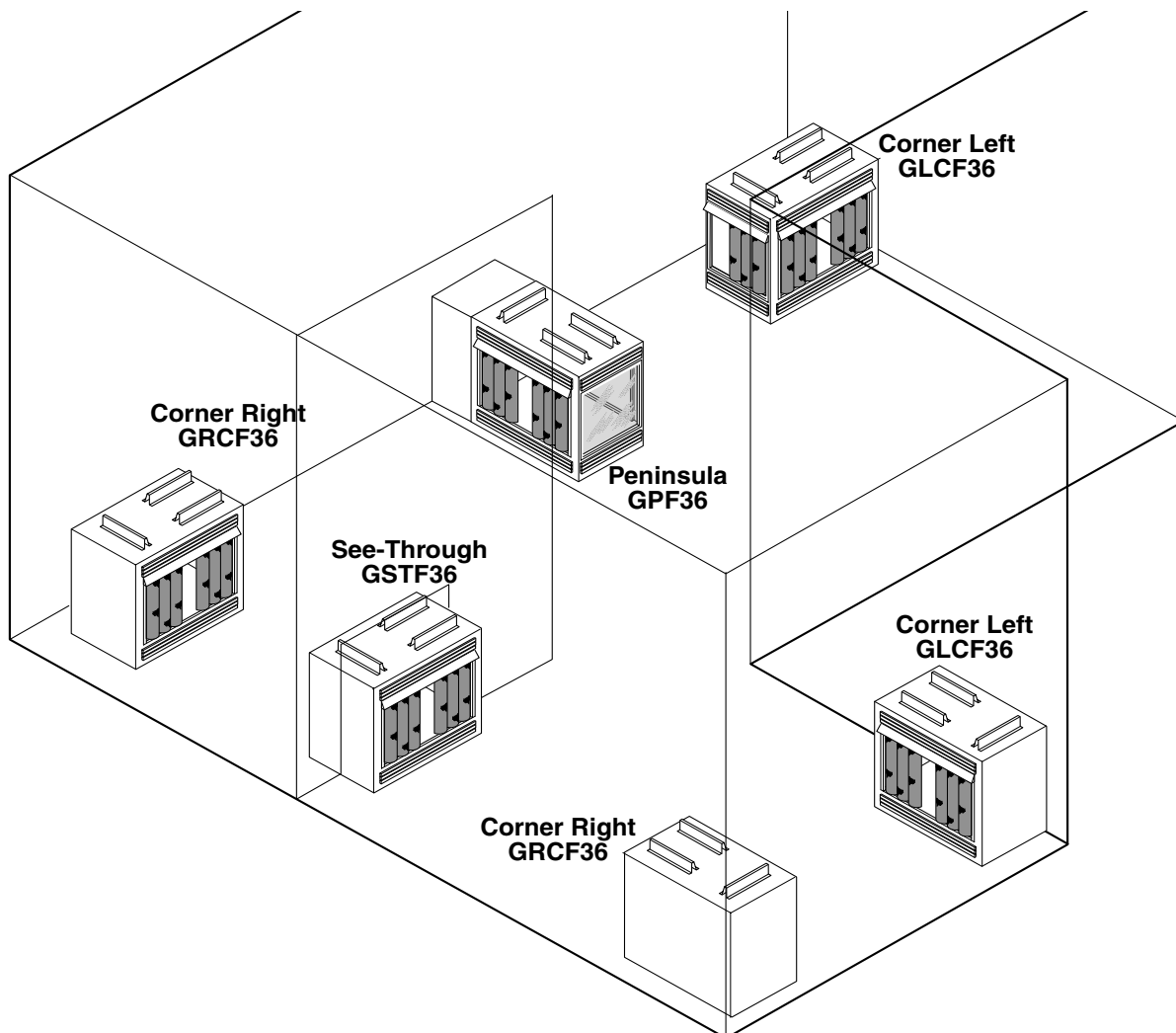
---

## LOCATION OF FIREBOX

---

Carefully select the best location for installation of your vent-free firebox. The following factors should be taken into consideration.

- Clearance to side wall, ceiling, woodwork, and windows. Refer to “CLEARANCES and HEIGHT REQUIREMENTS” section below and on pages 8 and 9. Minimum clearances to combustibles **must be maintained**.
- Location must not be affected by drafts caused by kitchen exhaust fans, ceiling fans, return air registers for forced air furnaces/air conditioners, windows, or doors.
- Installation must provide adequate ventilation and combustion air.
- **DO NOT INSTALL THIS FIREBOX IN A BEDROOM OR BATHROOM.**
- Location should be out of high traffic or windy or drafty areas.
- **DO NOT INSTALL WHERE CURTAINS, FURNITURE, CLOTHING OR OTHER FLAMMABLE OBJECTS ARE LESS THAN 36" FROM FRONT OF HEATER.**
- Never obstruct the front opening of the vent-free firebox or restrict the flow of combustion and ventilation air.
- Minimize modifications to existing construction. *Refer to Figure 2* for location suggestions.
- Do not install in the vicinity where gasoline or other flammable liquids may be stored. The vent-free firebox must be kept clear and free from these combustible materials.



**Figure 2 - Suggested Firebox Locations**

---

# CLEARANCES and HEIGHT REQUIREMENTS

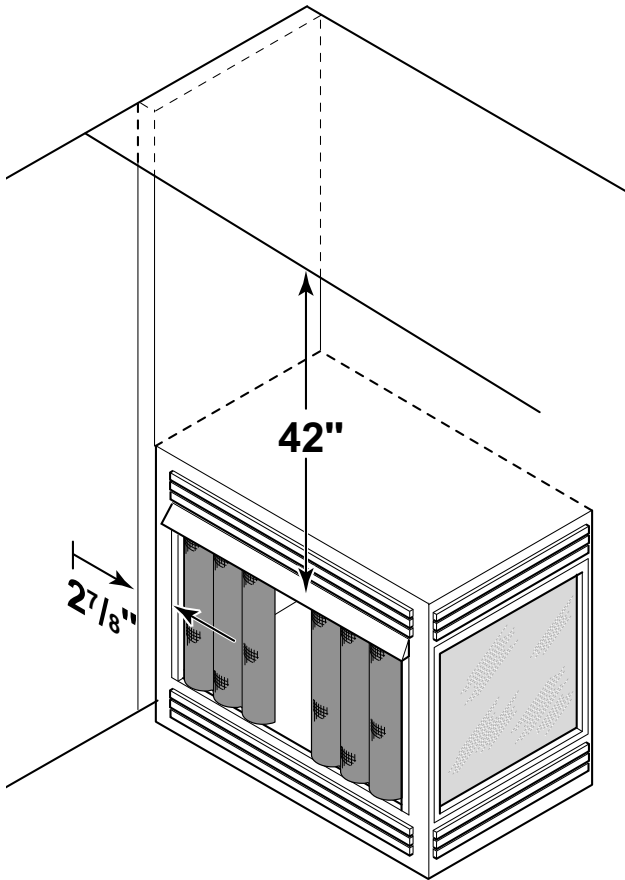
---

## CLEARANCES and HEIGHT REQUIREMENTS

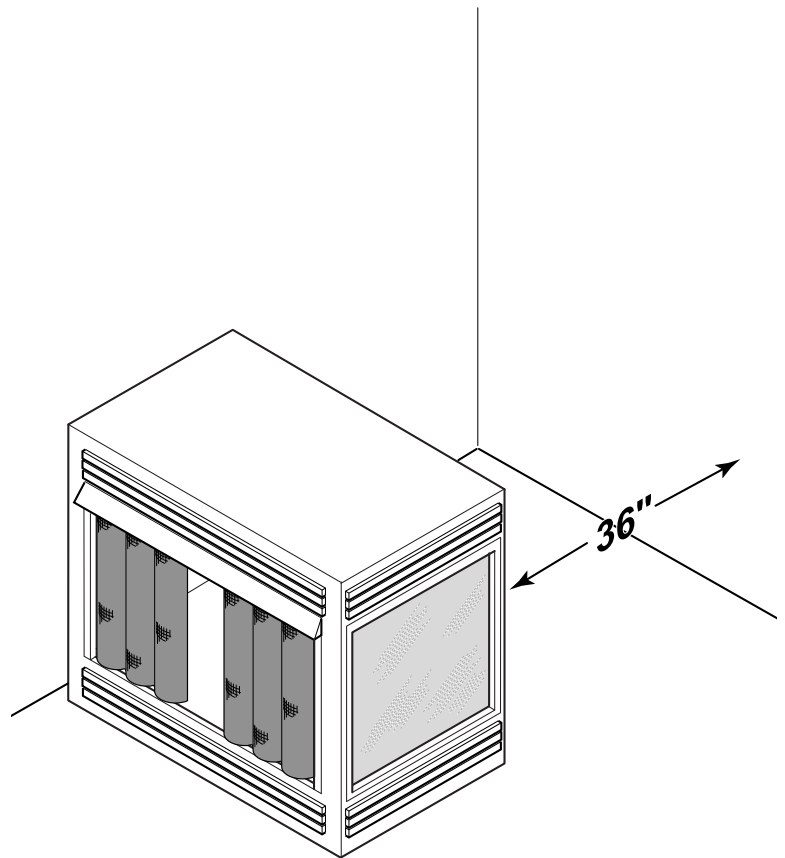
Ensure that minimum clearances shown in *Figures 3 through 7* are maintained. Left and right clearances are determined when facing the front of the firebox.

Follow these instructions carefully to ensure safe installation. Failure to follow these requirements may create a fire hazard.

1. **Sidewall Clearances** — The clearance from the inside of the appliance to any combustible adjacent wall should not be less than  $2\frac{7}{8}$ ". Refer to *Figure 3*.
2. **Ceiling Clearance** — The ceiling must be at least 42" from the top of the firebox opening. Refer to *Figure 3*.
3. **Back Wall Clearance** — The appliance may be placed against a combustible back wall.
4. **Parallel Wall Clearance** — The clearance from the opening of the firebox to any wall that is parallel to the opening should not be less than 36" (GSTF36 and GPF36 models only). Refer to *Figure 4*.



**Figure 3 - Sidewall and Ceiling Clearances**



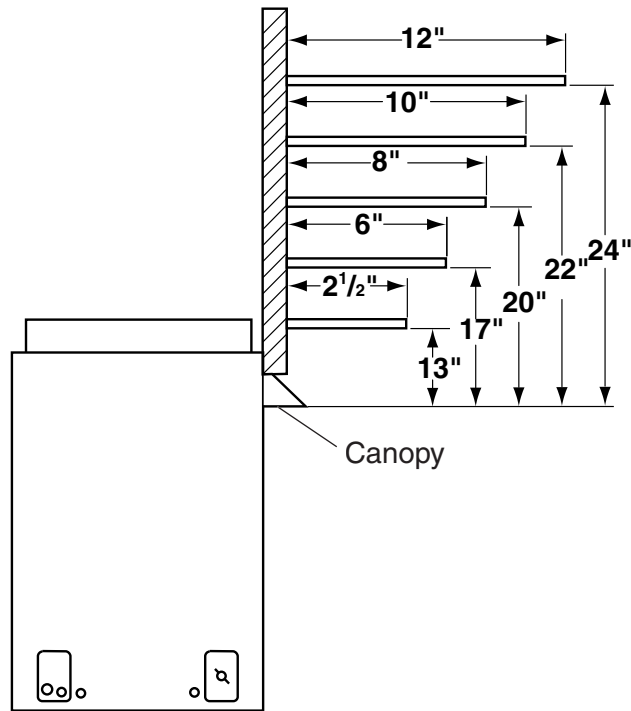
**Figure 4 - Parallel Wall Clearance  
(GSTF36 and GPF36 Models Only)**

# CLEARANCES and HEIGHT REQUIREMENTS

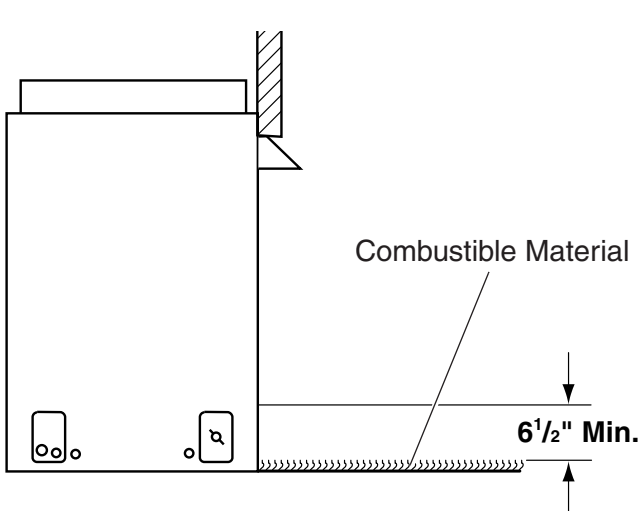
5. **Mantel clearances** — The canopy supplied with the unit must be installed. If a combustible mantel is installed, it must meet the clearance requirements detailed in *Figure 5*.
6. **Floor clearance** — This firebox hearth must be installed at least 6½" above any combustible flooring material, such as carpeting or asphalt tile, which is closer than 14" to the base of the firebox. Refer to *Figure 6*.

Or

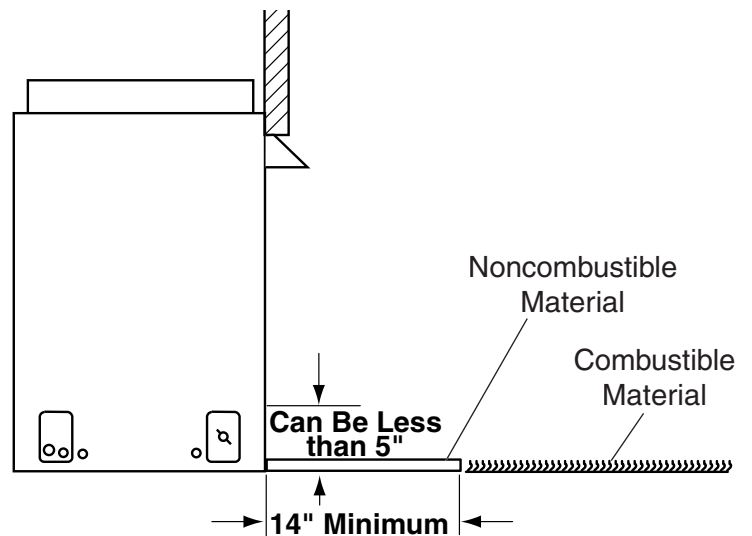
The firebox hearth may be installed nearer to the floor if a minimum of 14" of noncombustible material such as slate or marble is installed between the base of the firebox and the combustible flooring. Refer to *Figure 7*.



**Figure 5 - Minimum Mantel Clearances**



**Figure 6 - Floor Clearance above Combustible Flooring Material**



**Figure 7 - Floor Clearance above Noncombustible Flooring Material**



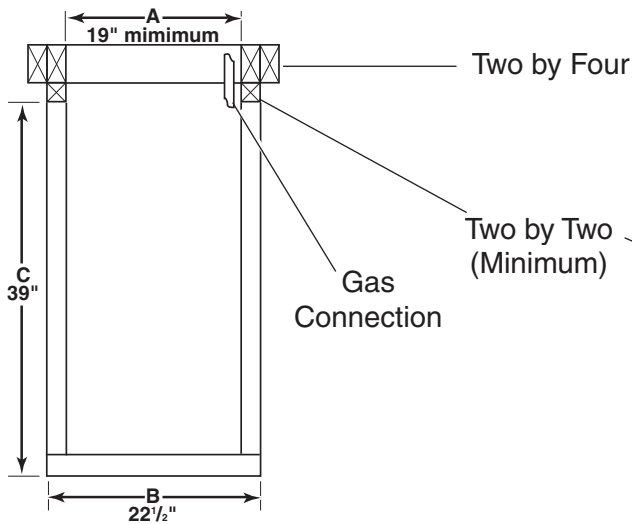
# FIREPLACE FRAMING

Firebox framing can be built before or after the appliance is set in place. Construct firebox framing following *Figures 8 through 14 on pages 9 and 10* and the chart to the right and on page 10 for your specific installation requirements. Refer to *Figure 1 on Page 5* for firebox dimensions. The framing headers may rest on the top of the firebox standoffs.

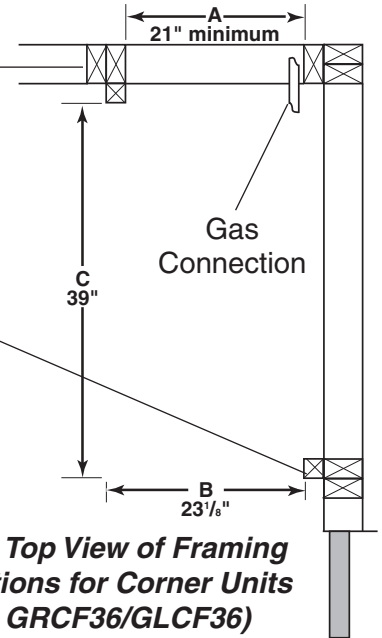
The firebox may be installed directly on a combustible floor or raised on a platform of an appropriate height. Do not place firebox on carpeting, vinyl, or other soft floor coverings. It may, however, be placed on a flat wood, plywood, particle board, or other hard surfaces. Be sure firebox rests on a solid continuous floor or platform with appropriate framing for support so that no cold air can enter room from under the firebox.

	GPF36 Peninsula	GRCF36 & GLCF36 Corner
A	19" minimum	21" minimum
B	22 <sup>1</sup> / <sub>2</sub> "	23 <sup>1</sup> / <sub>8</sub> "
C	39"	39"
D	38"	38"

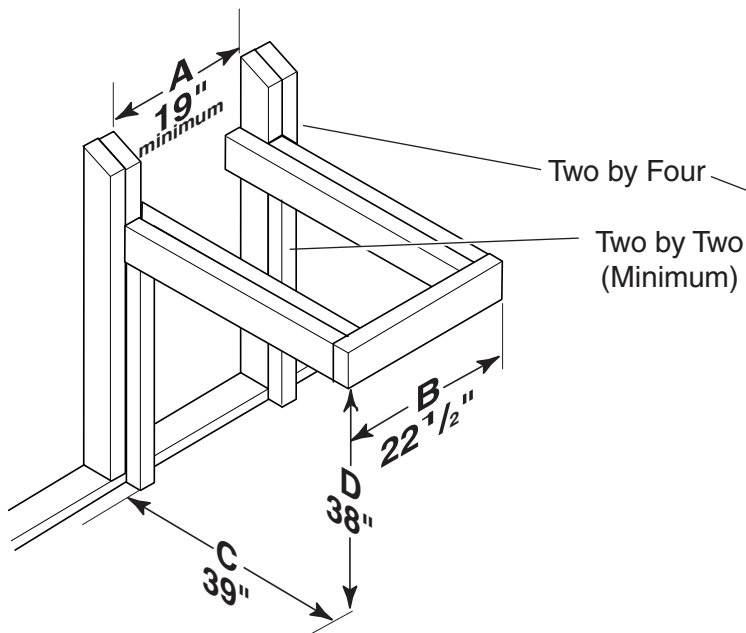
**Note: Make sure a minimum 19" is between the studs (A).**



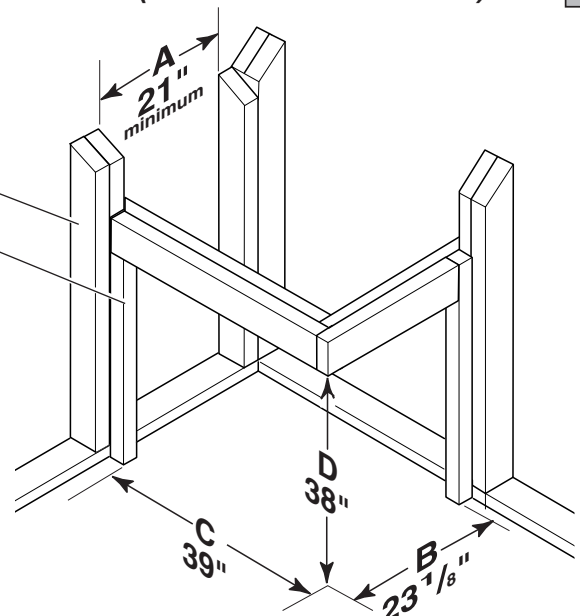
**Figure 8 - Top View of Framing Specifications for Peninsula Units (Model GPF36)**



**Figure 9 - Top View of Framing Specifications for Corner Units (Model GRCF36/GLCF36)**



**Figure 10 - Framing Specifications for Peninsula Units (Model GPF36)**



**Figure 11 - Framing Specifications for Corner Units (Model GRCF36/GLCF36)**

# FIREPLACE FRAMING and INSTALLATION

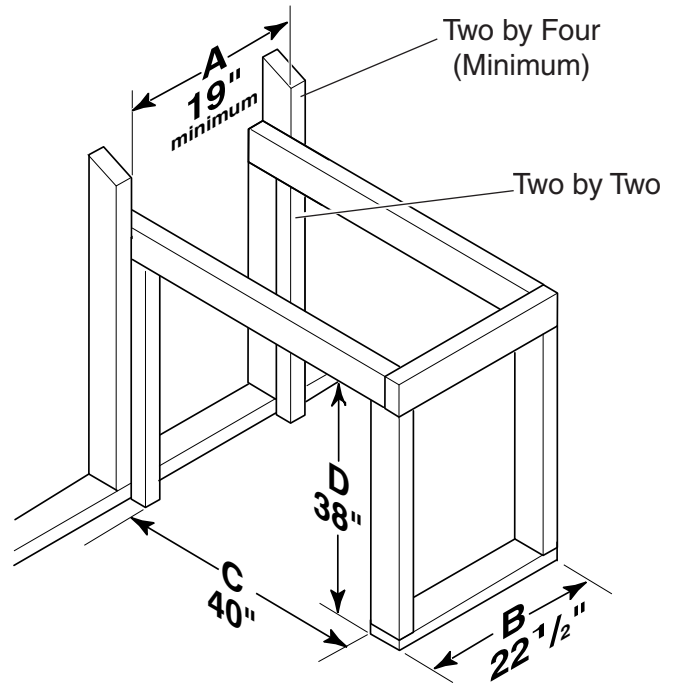
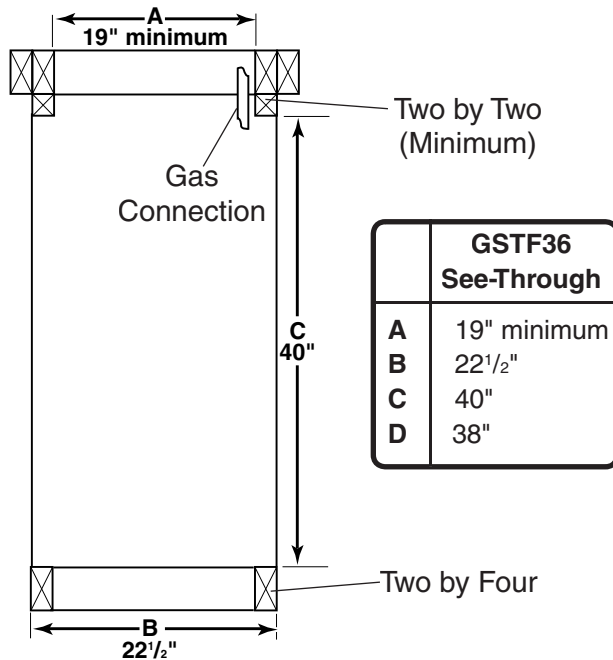


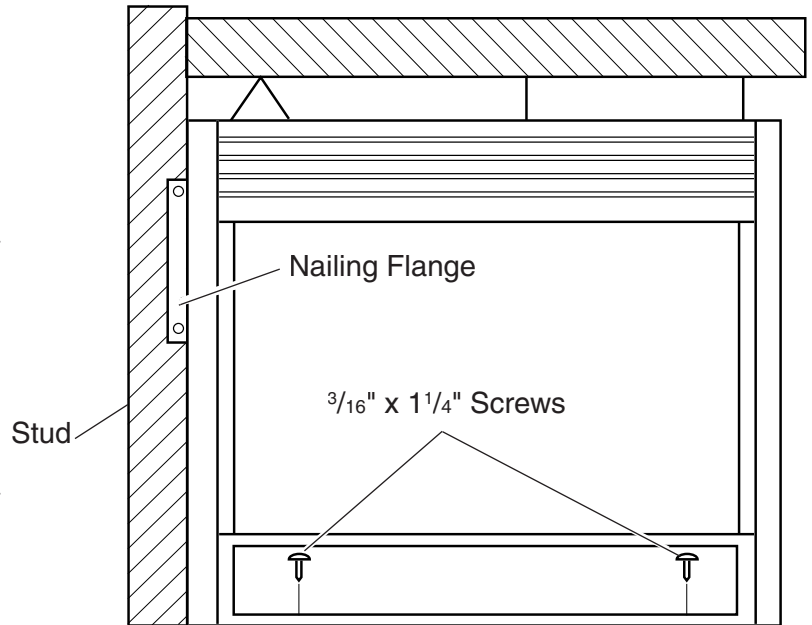
Figure 12 - Top View of Framing Specifications for See-Through Unit (Model GSTF36)

Figure 13 - Framing Specifications for See-Through Unit (Model GSTF36)

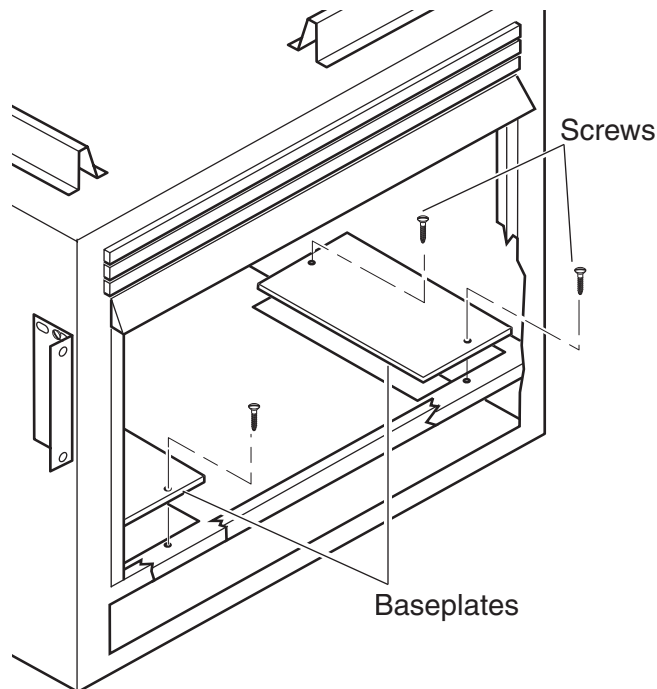
**WARNING** The fireplace must be installed giving full consideration to the clearance and height requirements identified in this manual.

## PENINSULA UNIT (GPF36) INSTALLATION

1. Slide firebox into prepared framing or position firebox in its final position and frame later.
2. Bend out two (2) nailing flanges to 90°.
3. Level and plumb firebox by checking edges of firebox. Shim if necessary.
4. Attach nailing flanges to studs. *See Figure 14.*
5. Remove two baseplates from bottom of firebox. *See Figure 15.*
6. Anchor firebox to floor with four  $\frac{3}{16}$ " x  $1\frac{1}{4}$ " screws through holes located on the bottom of the firebox. *See Figure 14.*
7. Install canopy. *Refer to page 15 for canopy installation.*



**Figure 14 - Location of Nailing Flanges and Floor Screws**

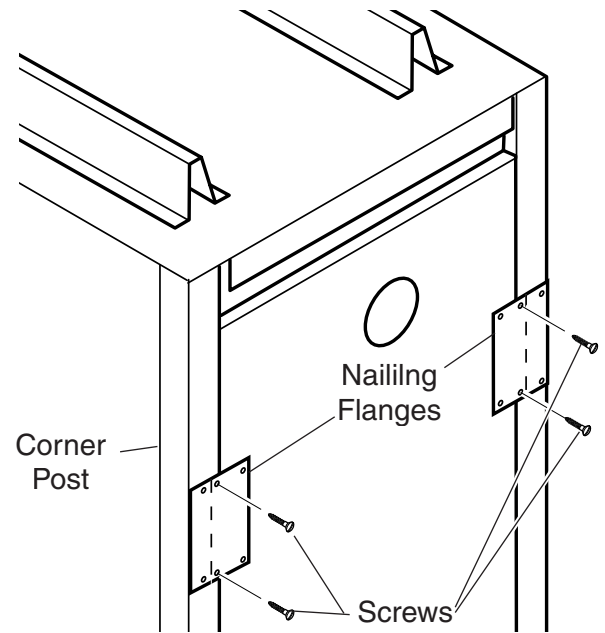


**Figure 15 - Removing Baseplates**

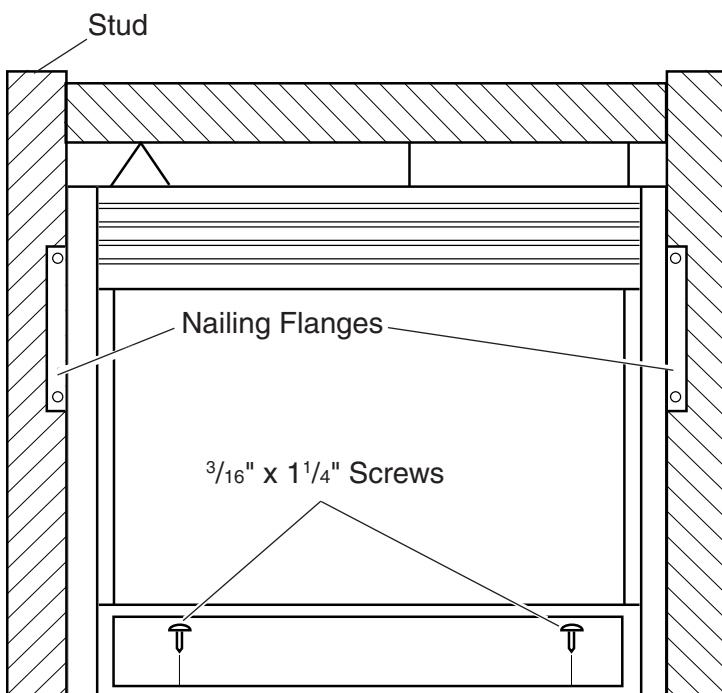
# FIREPLACE INSTALLATION

## SEE-THROUGH UNIT (GSTF36) INSTALLATION

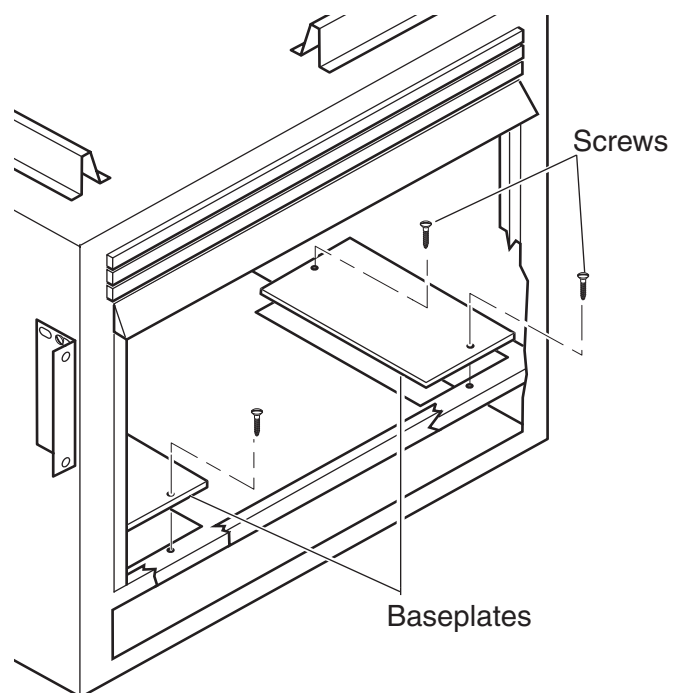
1. Locate pre-attached nailing flanges on the end of firebox as shown in *Figure 16*. DO NOT REMOVE PRE-ATTACHED NAILING FLANGES.
2. Secure nailing flanges to corner posts using four (4) self-taping screws. See *Figure 16*.
3. Slide firebox into prepared framing or position firebox in its final position and frame later.
4. Bend out four (4) nailing flanges to 90°.
5. Level and plumb firebox by checking edges of firebox. Shim if necessary.
6. Attach nailing flanges to studs. See *Figure 17*.
7. Remove two baseplates from bottom of firebox. See *Figure 18*.
8. Anchor firebox to floor with four  $\frac{3}{16}$ "x $1\frac{1}{4}$ " screws through holes located on the bottom of the firebox. See *Figure 17*.
9. Install canopy. Refer to page 15 for canopy installation.



**Figure 16 - Location of Unsecured Pre-Attached Nailing Flanges**



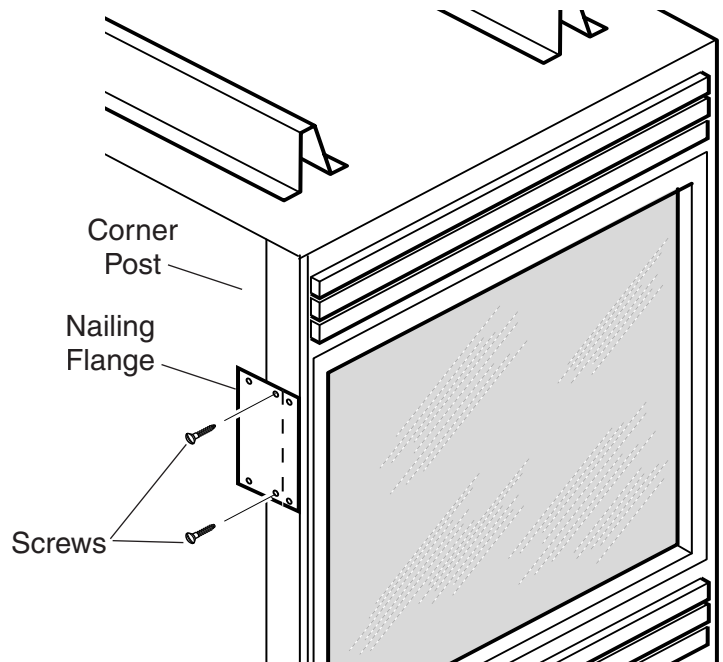
**Figure 17 - Location of Nailing Flanges and Floor Screws**



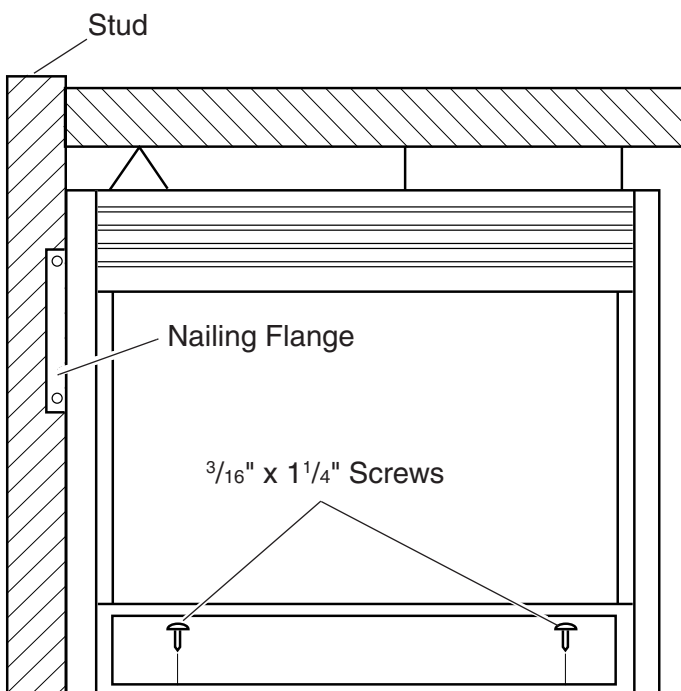
**Figure 18 - Removing Baseplates**

## RIGHT (GRCF36) AND LEFT (GLCF36) CORNER INSTALLATION

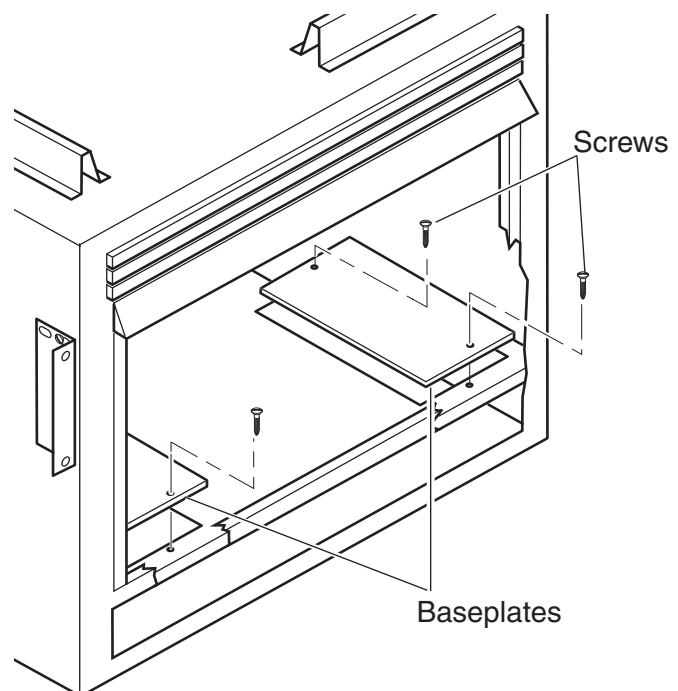
1. Locate pre-attached nailing flanges as shown in *Figure 19*. DO NOT REMOVE PRE-ATTACHED NAILING FLANGES.
2. Secure nailing flanges to corner posts using two (2) self-taping screws. See *Figure 19*.
3. Slide firebox into prepared framing or position firebox in its final position and frame later.
4. Bend out four (4) nailing flanges to 90°.
5. Level and plumb firebox by checking edges of firebox. Shim if necessary.
6. Attach nailing flanges to studs. See *Figure 20*.
7. Remove two baseplates from bottom of firebox. See *Figure 21*.
8. Anchor firebox to floor with four  $\frac{3}{16}$ " x  $1\frac{1}{4}$ " screws through holes located on the bottom of the firebox. See *Figure 20*.
9. Install canopy. Refer to page 15 for canopy installation.



**Figure 19 - Location of Unsecured Pre-Attached Nailing Flange (Left Corner Unit [GLCF36]) Shown**



**Figure 20 - Location of Nailing Flanges and Floor Screws**



**Figure 21 - Removing Baseplates**

---

## GAS LINE INSTALLATION

---

### CAUTION

Plumbing connections should only be performed by a qualified, licensed plumber. Main gas supply must be off when plumbing gas line to fireplace or performing service.

Consult all local codes. All gas piping must be installed to comply with local codes, or in the absence of local codes, with the latest edition of the National Fuel Gas Code, ANSI Z223.1/NFPA54.

Remove the access cover(s) on the front of the firebox for access to gas line installation. Knock out one of the four holes on the baseplate for gas line connection to the log set.

The 1/2" gas line may enter either from the left side or right side of the firebox for See-Through Unit (GSTF36). Gas access holes are provided on both sides of the firebox.

For the Peninsula Unit (GPF36) and the Corner Units (GRCF36 and GLCF36), the 1/2" gas line must enter from the closed-side of the firebox.

The gas supply line must have an ANSI approved manual shutoff valve, upstream of the appliance. Either a recessed valve with a key should be mounted to the wall or floor outside the firebox, or an on/off appliance-style valve with union can be placed inside the firebox. A plugged 1/8" NPT pressure taping point is recommended for service and may be incorporated to the valve assembly. Bring a minimum 1/2" gas supply line through the knockout hole provided in the firebox.

A sediment trap may be upstream of the heater to prevent moisture and contaminants from passing through trap to the heater controls and burners. Failure to do so could prevent the heater from operating reliably. Consult applicable codes.

In addition to the regulator fitted to the heater, an external regulator must be used on all propane/LPG heaters to reduce the supply tank pressure to 13" w.c. (maximum). Any copper tubing used to supply propane/LPG from the tank must be internally tinned. **Note: When connecting propane/LPG vent-free room heaters, you must use pipe sealant resistant to propane/LPG.**

**Check gas type: The gas supply must be the same as stated on the heater's rating plate. If the gas supply is different, DO NOT INSTALL THE HEATER. Contact your dealer for the correct model.**

### WARNING

Connecting directly to an unregulated propane/LPG tank can cause an explosion.

After completing connection, test all gas joints from the gas meter to the gas heater regulator for leaks. Using soap and water solution or a gas sniffer. DO NOT USE AN OPEN FLAME

### WARNING

Do not connect directly to natural gas 1/2 PSI or 2 PSI systems. Always make sure natural gas pressure is regulated 10.5 w.c. (maximum before operating the unit).

## CANOPY AND RADIANT FACE PLATES INSTALLATION

A canopy is furnished with each firebox and **MUST** be installed for safe operation. Refer to Figure 22.

**WARNING**

The firebox canopy must not be modified or replaced with a canopy that may be provided with the unvented decorative room heater.

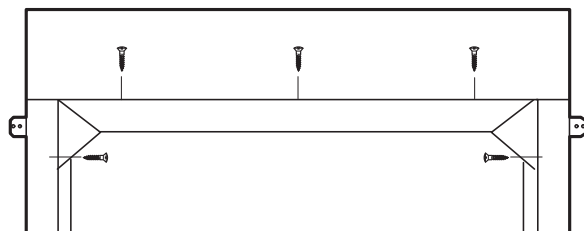


Figure 22 - Canopy Installation

1. Align the canopy with the holes in the top frame.
2. Secure canopy with five (5) screws provided.
3. Tighten side screws. **Make sure the canopy is level and secure.**
4. Repeat on other side for See-Through Unit (GSTF36) and Peninsula Unit (GPF36). Install the 20" canopy on the shorter end with two (2) screws (GRCF36/GLCF36).

**Note: Screws may be installed from the lower side when radiant panels are used with a fireplace facing.**

**WARNING**

Close fireplace screen panel before operating decorative type unvented room heater.

### INSTALLING RADIANT FACE PLATES

1. Remove the radiant face plates from the uprights on the top of the firebox. Remove packing foam.
2. Snap off the three upper louvers and the three lower louvers as shown in Figure 23.
3. Snap on the upper radiant face plate and the lower radiant face plate as shown in Figure 23.
4. On See-Through Unit (GSTF36) and Peninsula Unit (GPF36) repeat on other side.
5. On Peninsula Unit (GPF36) repeat on the end.

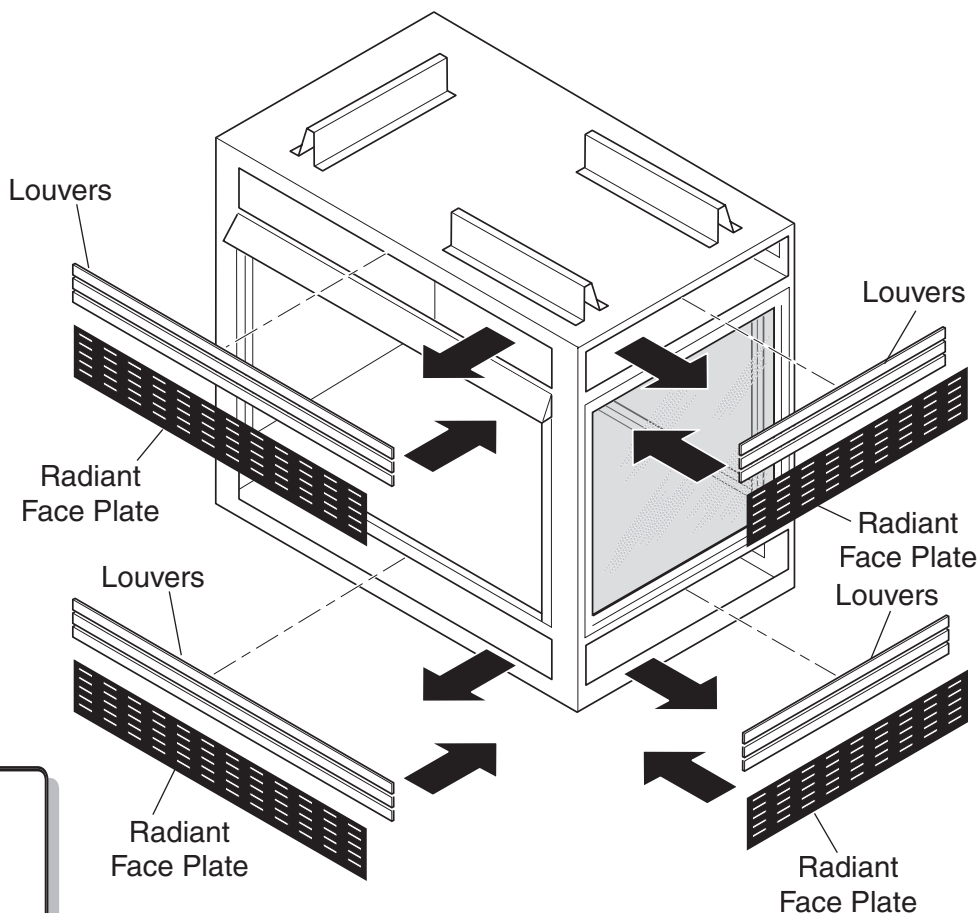


Figure 23 - Installing Radiant Face Plates

**WARNING**

Radiant panels cannot be used on corner units (GRCF36/GLCF36).

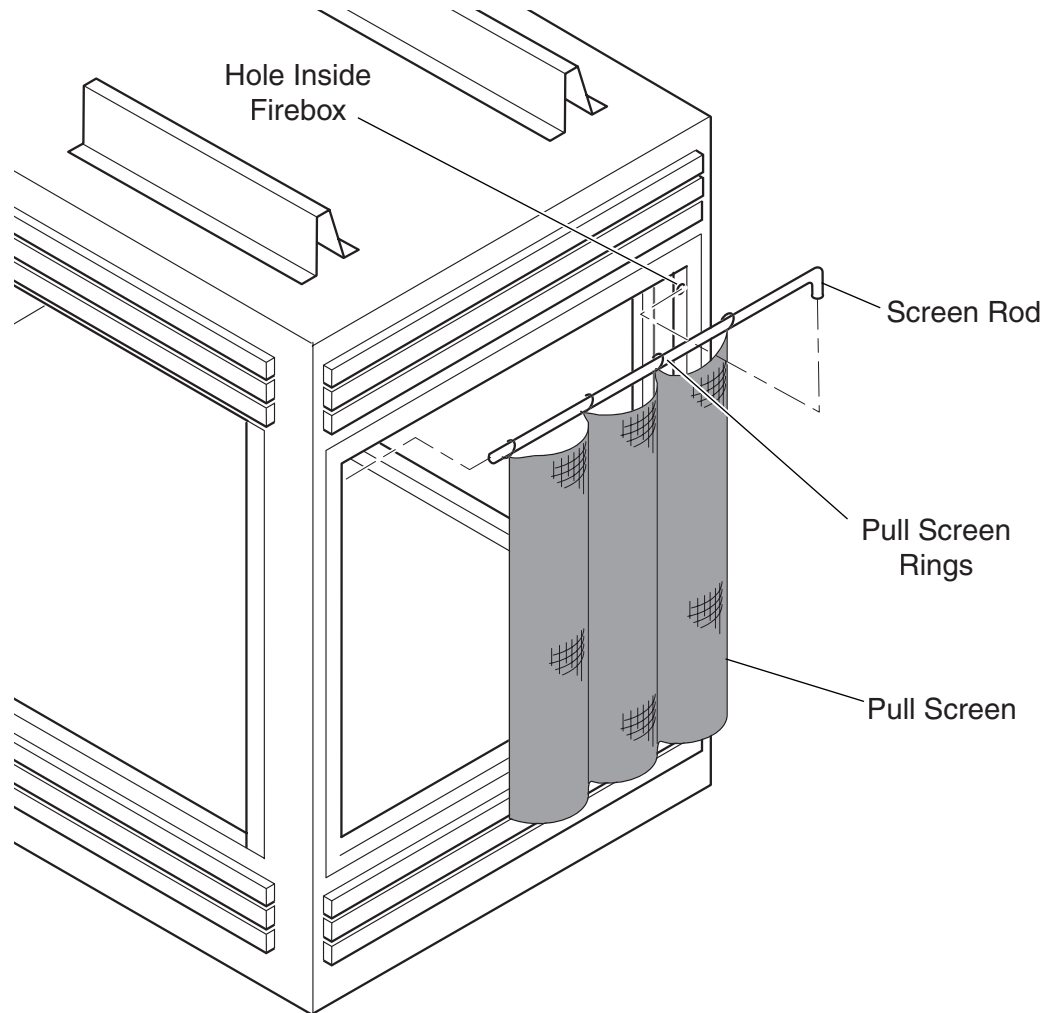
---

## SCREEN and OPTIONAL EQUIPMENT INSTALLATION

---

### INSTALLING PULL SCREEN FOR CORNER UNITS (GRCF36 AND GLCF36)

1. Slip the rings of the pull screen on the screen rod.
2. Insert bent end of screen rod into hole inside the firebox as shown below.
3. Align straight end of rod with hole on opposite side of firebox. Slip rod into hole.
4. Adjust screen as desired.



**Figure 24 - Installing Pull Screen (GRCF36 and GLCF36)**

### BRASS LOUVERS (CIRCULATING VENT-FREE SYSTEMS ONLY - GSTF36 AND GPF36)

Optional brass louvers may be installed in place of the factory installed black louvers. Refer to installation instructions provided with the brass louvers.

For Other Accessories *see to Page 21*.

### FORCED AIR KIT (CIRCULATING VENT-FREE SYSTEMS ONLY)

If you are installing the forced air kit Model BLO on the GSTF36, GPF36, GCRF36 or GCLF36 units, see the installation instructions below.



## CAUTION

Electrical connections should only be performed by a qualified, licensed electrician, main power must be off when connecting to main electrical power supply or performing service.

The blower when installed, must be electrically grounded in accordance with local codes or in the absence of local codes, with the National Electrical Code ANSI/NFPA 70.

## BLOWER INSTALLATION

Install blower before framing firebox. Remove access panel on the floor of the firebox before installing the blower. See Figure 30, page 18.

## WIRING TO JUNCTION BOX

**NOTE:** The wire must be run to the junction box before framing the firebox.

1. Before installing blower, wire the receptacle into an electrical circuit. Use minimum 60°C wire in accordance to prevailing codes.
2. The junction box is preinstalled at the factory. Remove external junction box cover by removing the screw from either the left or right side of the outside firebox wall.
3. The junction box cover has a factory-installed “romex” style strain relief connector. Connect the wires according to the wiring diagram below. Route the connected wire leads through the strain relief connector. See Figure 25.

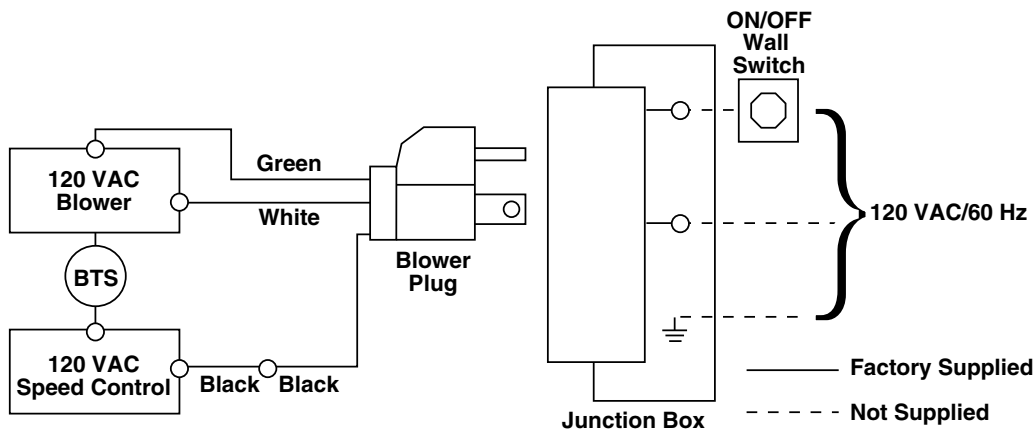


Figure 25 - Wiring Diagram for Junction Box

Continued on page 18

# BLOWER INSTALLATION

## ATTACHING BLOWER TO FIREBOX WALL

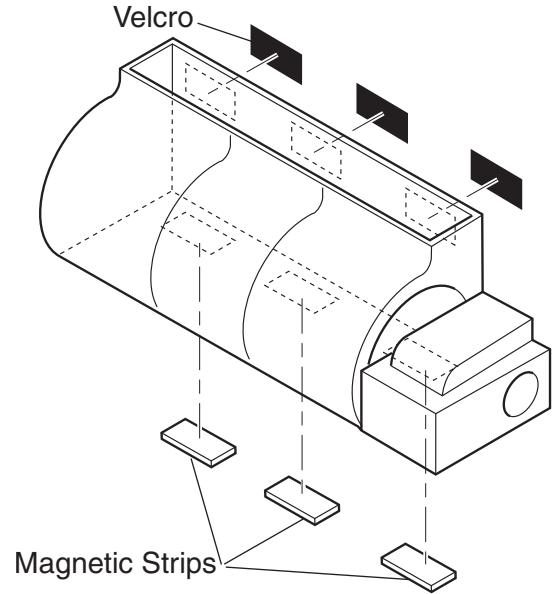
Use the supplied velcro and magnetic strips to attach blower to firebox wall.

### VELCRO METHOD

1. Remove tape from back of velcro pads.
2. Remove access panel from bottom of firebox. *See Figure 27.*
3. Position blower on the inside of firebox wall. Make sure the blower discharge vent is facing up between the inside of the firebox wall and the inner combustion wall.

### MAGNETIC STRIPS METHOD

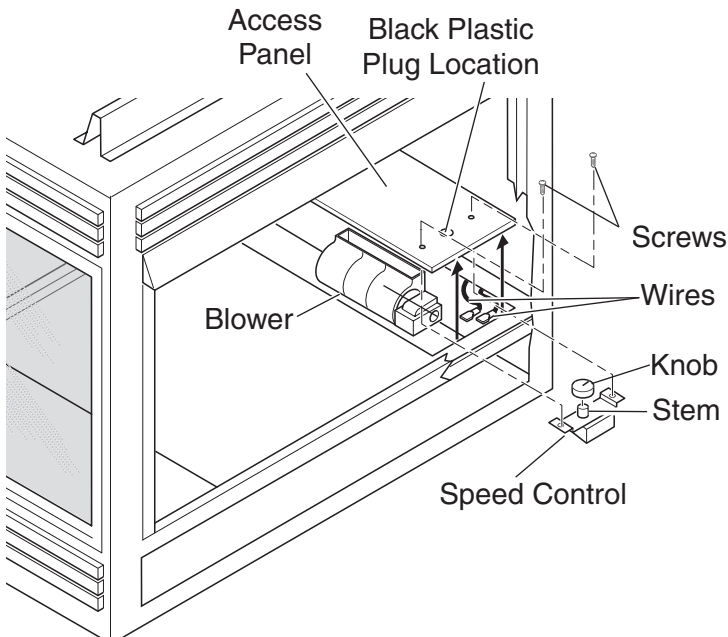
1. Attach three magnetic strips to bottom of the blower. *See Figure 26.*
2. Position blower on the inside of firebox wall. Make sure the blower discharge vent is facing up between the inside of the firebox wall and the inner combustion wall.



**Figure 26 - Attaching Magnetic Strips to Blower**

## INSTALLING VARIABLE SPEED CONTROL AND BTS

1. Remove access cover on the floor of the firebox.
2. Remove plastic plug from access cover. *See Figure 27.*
3. Remove the knob from the stem of the variable speed control. *See Figure 27.*
4. Align the stem of speed control to largest hole on the access cover of the firebox. Attach speed control with two 6-32 screws provided. *See Figure 27.*



**Figure 27 - Installing Variable Speed Control**

**WARNING**

**Make sure wire does not in touch or hinder blower. Electrocutation could occur. Secure wire to base support.**

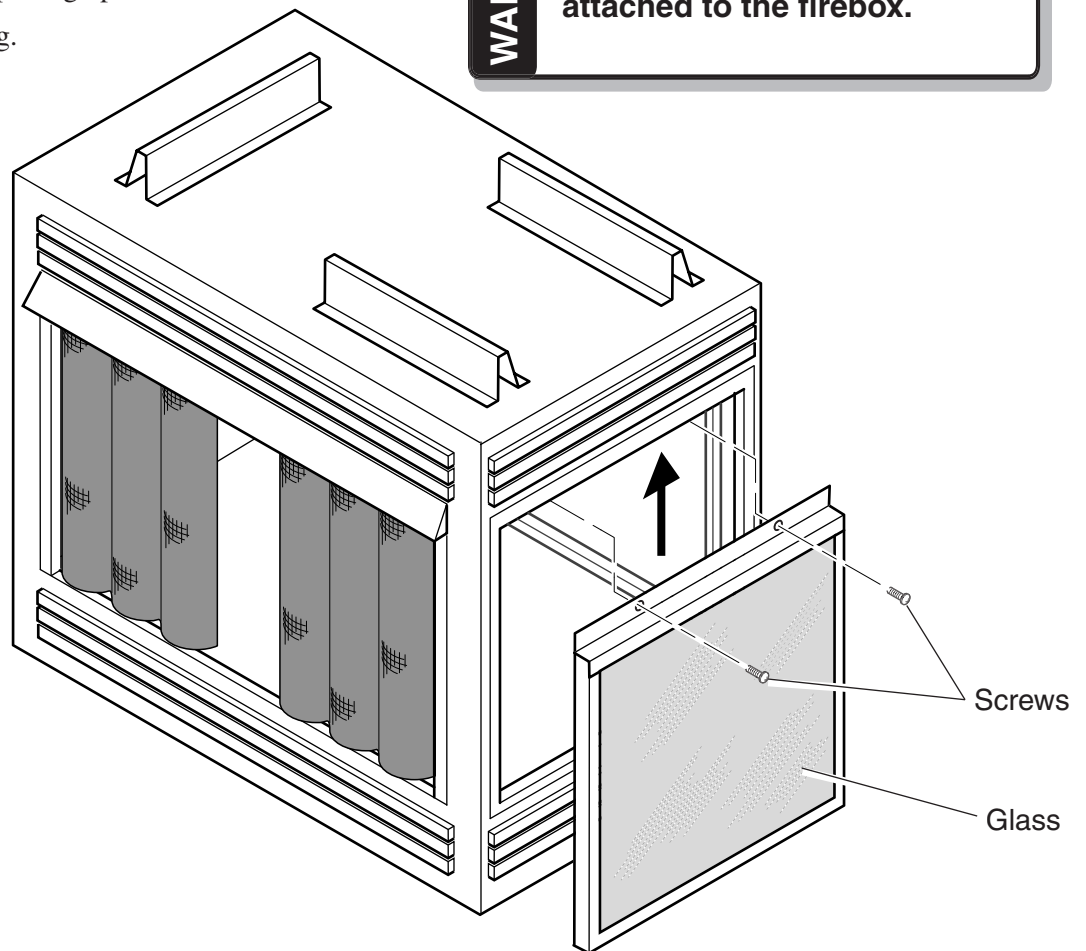
5. Reattach knob to stem of speed control.
6. Reinstall burner assembly, logs, screen frame and louvers.
7. Plug power cord from blower into the junction box receptacle. Route power cord to nearest wall receptacle if necessary.
8. Detach wire connecting speed control to blower.
9. Attach one end of BTS wire to blower. Attach other end of BTS wire to speed control. *See Figure 25, page 17.*
9. To operate blower, turn knob on speed control clockwise. Blower should operate at highest speed. Turn knob until it reaches the desired speed.
10. Replace access panel.

### REMOVING GLASS FOR CLEANING (GPF ONLY)

1. Remove two (2) screws from the top cover. *See Figure 28.*
2. Unhook the glass frame by pulling upwards.
3. Reinstall glass after cleaning.

**WARNING**

Do not operate the Peninsula Unit (GPF36) without glass attached to the firebox.

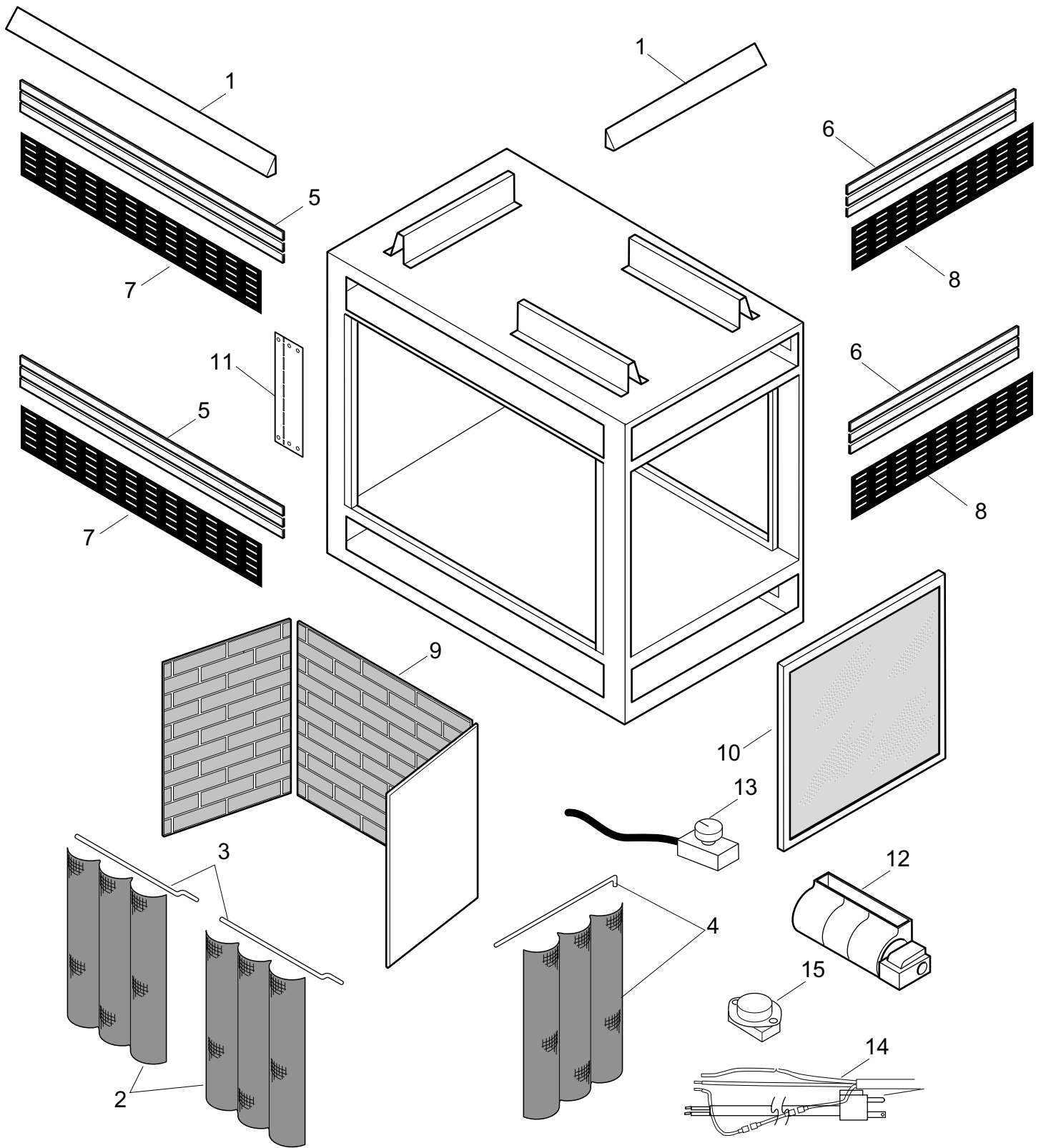


**Figure 28 - Removing Glass**

### When Cleaning Glass

- Do not remove the glass when hot. Allow glass to cool before removal.
- Never use abrasive cleaning materials on glass.
- Keep children and pets at safe distance away.
- Never operate fireplace if glass is broken. Replace any glass that is chipped, cracked or broken. Replacement glass frame assemblies **MUST** be supplied by the fireplace manufacturer. **Do not substitute other materials.**
- Handle glass frame with care. Avoid striking or scratching glass on hard objects.

# ILLUSTRATED PARTS LIST



**STANDARD FEATURES**

ITEM	DESCRIPTION	QTY	GST	GPF	GRCF/GLCF
1	36" Canopy	2	26D0715	26D0715	-
1	36" Canopy	1	-	-	26D0715
1	20" Canopy	1	-	-	43D0169
2	Screen Panel	4	43D0092	43D0092	-
2	Screen Panel	3	-	-	43D0092
3	Screen Rod	4	26D0138	26D0138	-
3	Screen Rod	2	-	-	26D0138
4	Corner Pull Screen Kit	1	-	-	43D0150K
5	Black Louver - 36"	12	28D0697	26D0697	-
6	Black Louver - 20"	6	-	43D0117	43D0117
7	Radiant Front - 36"	4	26D0576	26D0576	-
8	Radiant Front - 20"	2	-	43D0119	-
9	Weathered Brick - 21"	2	43D0086	-	-
9	Weathered Brick - 21"	1	-	43D0086	-
9	Weathered Brick - 35"	1	-	-	43D0085
10	Frame & Glass Kit	1	-	43D0093K	-
11	Nailing Flange Kit	1	43D0032K	43D0032K	43D0032K

**ACCESSORIES**

1	Brass Canopy	2	BRCU36	BRCU36	-
1	Brass Canopy	1	-	-	BRCU36
5	Brass Louver - 36"	2	L36BR	L36BR	-
5	Brass Louver - 36"	1	-	-	L36BR
5	Chrome Louver - 36"	2	L36CH	-	-
6	Brass Louver - 20"	1	-	L20BR	L20BR
6	Brass Filligree - 36"	2	BRFK36	-	-
12	Blower with Rheostat	1	BLO	BLO	BLO

---

**NOTES**

---



# **MONESSEN HEARTH SYSTEMS**

## **LIMITED LIFETIME WARRANTY POLICY**

### **LIFETIME WARRANTY**

The following components are warranted for life to the original owner, subject of proof of purchase: Firebox, Combustion Chamber, Heat Exchanger, Grate, and Stainless Steel Burners.

### **FIVE YEAR WARRANTY**

The following components are warranted for 5 years to the original owner, subject of proof of purchase: Vent Free Ceramic Fiber Logs, Catalytic Filter and Aluminized Burners.

### **BASIC WARRANTY**

Monessen Hearth Systems (MHS) warrants the components and materials in your gas appliance to be free from manufacturing and material defects for a period of two years from date of installation. After installation, if any of the components manufactured by MHS in the appliance are found to be defective in materials or workmanship, MHS will, at its option, replace or repair the defective components at no charge to the original owner. MHS will also pay for reasonable labor costs incurred in replacing or repairing such components for a period of two years from the date of installation. Any products presented for warranty repair must be accompanied by a dated proof of purchase.

This Limited Lifetime Warranty will be void if the appliance is not installed by a qualified installer in accordance with the installation instructions. The Limited Lifetime Warranty will also be void if the appliance is not operated and maintained according to the operating instructions supplied with the appliance, and does not extend to (1) firebox/burner assembly damage by accident, neglect, misuse, abuse, alteration, negligence of others, including the installation thereof by unqualified installers, (2) the costs of removal, reinstallation or transportation of defective parts on the appliance, or (3) incidental or consequential damage. All service work must be performed by an authorized service representative.

This warranty is expressly in lieu of other warranties, express or implied, including the warranty of merchantability of fitness for purpose and of all other obligations or liabilities. Monessen Hearth Systems, Inc. does not assume for it any other obligations or liability in connection with the sale or use of the appliance. In states that do not allow limitations on how long an implied warranty lasts, or do not allow exclusion of indirect damage, those limitations of exclusions may not apply to you. You may also have additional rights not covered in this Limited Lifetime Warranty.

MHS reserves the right to investigate any and all claims against the Limited Lifetime Warranty and decide upon method of settlement.

For information about this warranty, contact:

**Technical Services  
Monessen Hearth Systems  
149 Cleveland Drive  
Paris, Kentucky 40361**