

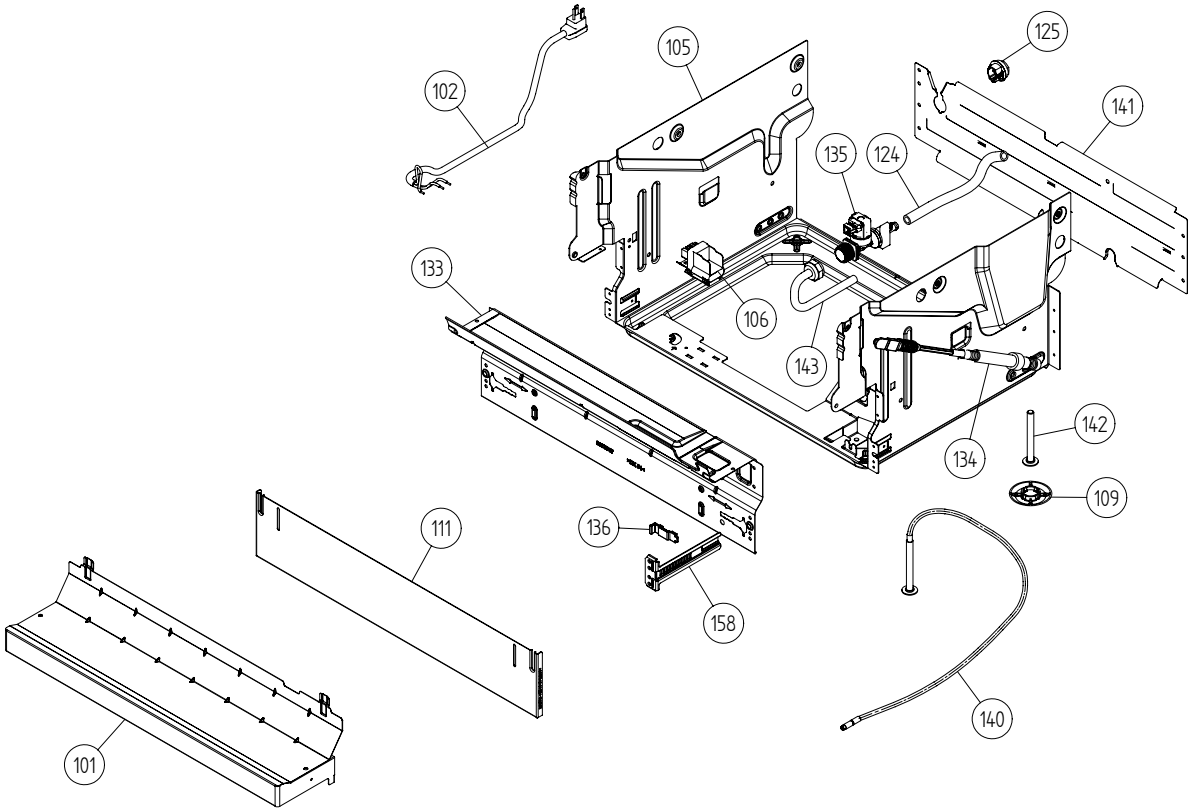
Spare Parts Catalogue

Dishwashers \ 3000 Std Tank Series
Type: DW20.1
Model: D3112 US Black Bi

Prod. No: 107311202
May 23rd 2005

AM Appliances Group

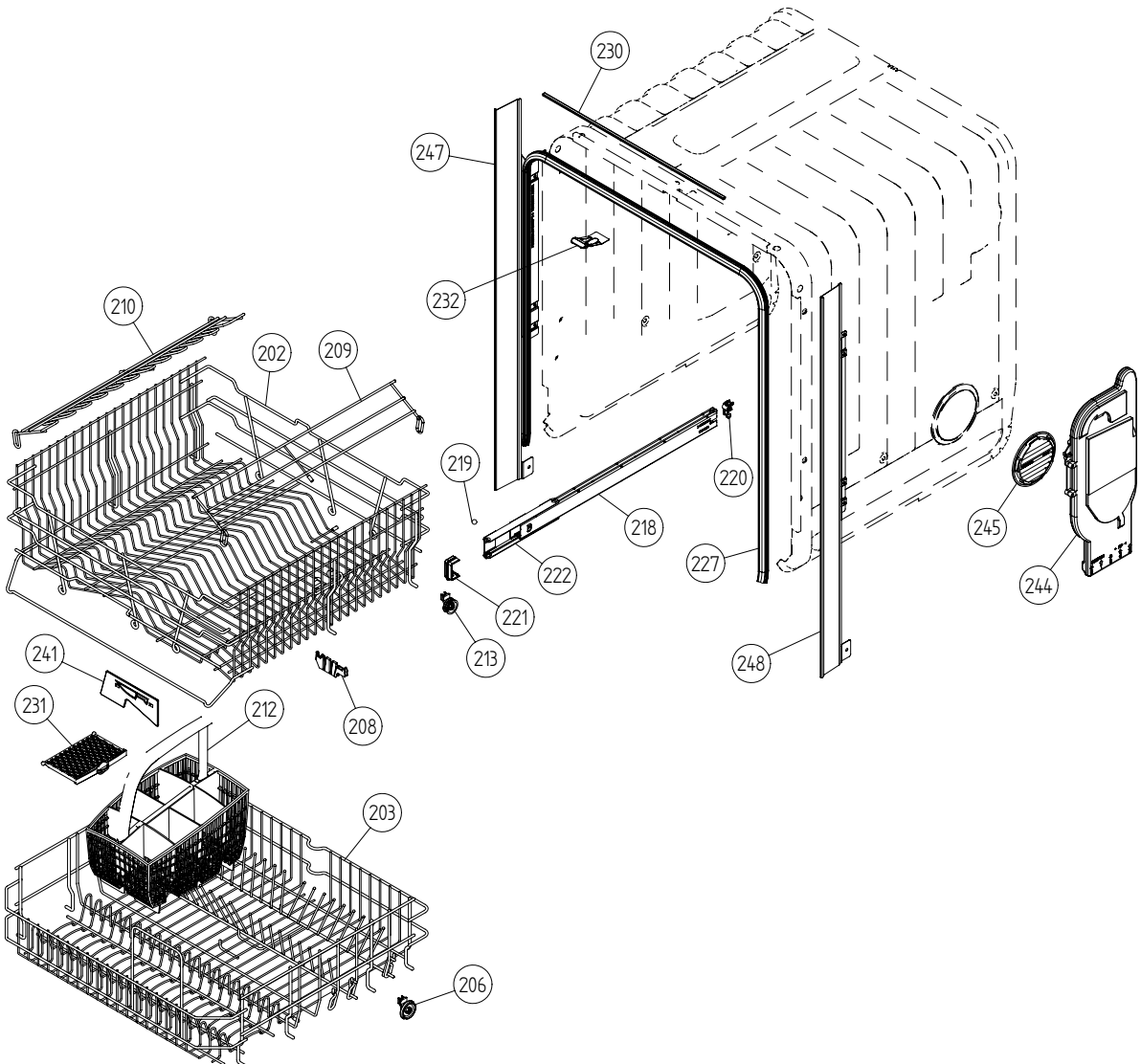
P.O. Box 851805 • Richardson • TX 75085-1805
789 N. Grove Road • Suite 103 • Richardson • TX 75081



Base and related parts

ASKO, D3112 US - Black Bi (DW20.1)

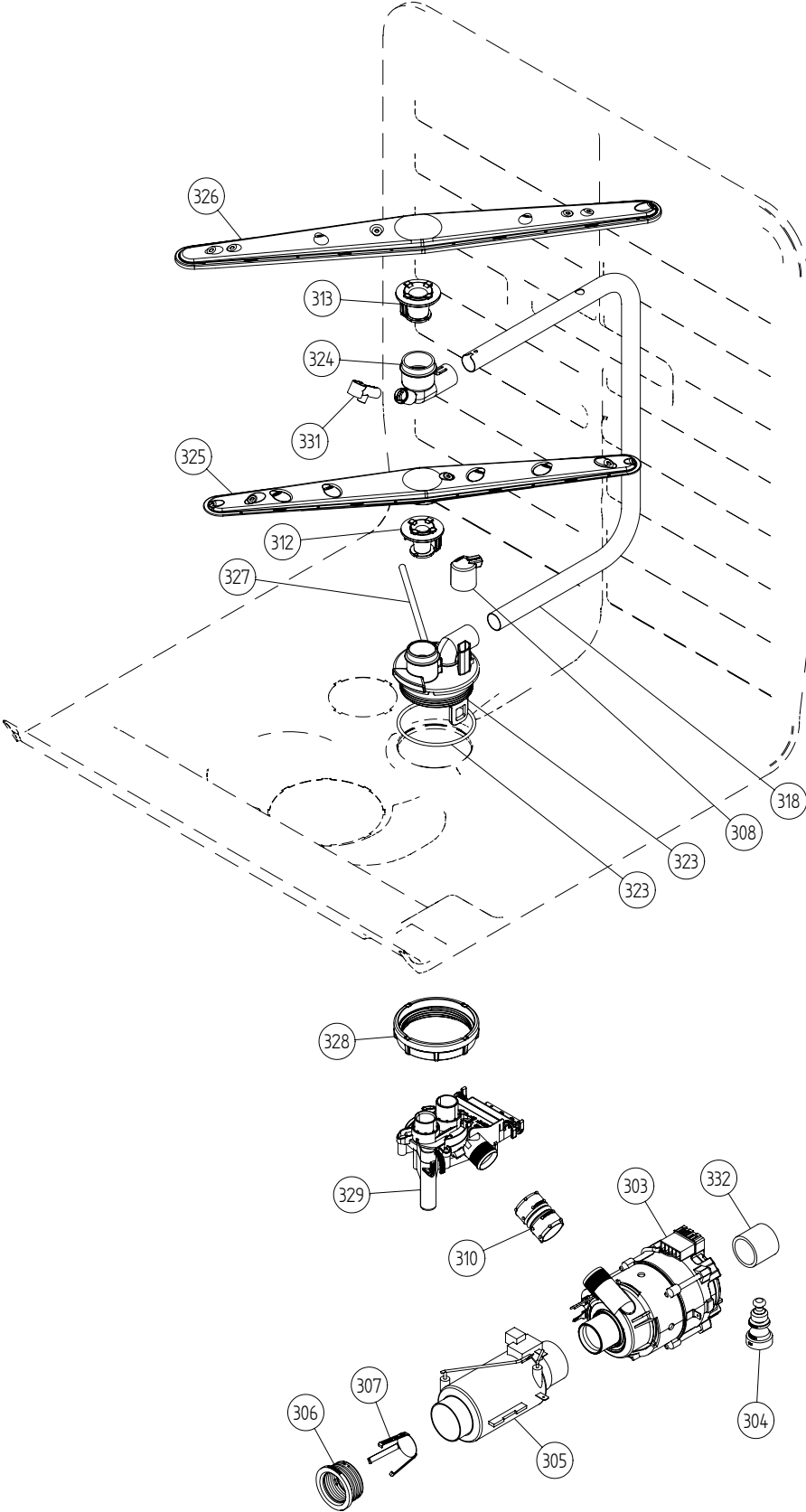
| Pos | Spare part No. | Description | Qty | Comment |
|------------|-----------------------|--------------------------------|------------|----------------|
| 101 | 8074450 | Bottom Outer DW20 | 1 Pcs | |
| 101-a | 8901104 | Screw 20 Torx Machine | 2 Pcs | |
| 101-b | 8901110 | Screw w/ORing DW 05/06 25T | 4 Pcs | |
| 102 | 8073880 | REAR PANEL | 1 Pcs | |
| 102-a | 8902357 | Screw | 5 Pcs | |
| 105 | 8074877 | Foot | 2 Pcs | |
| 106 | 8073647 | FOOT ADJUSTABLE FROM FRONT CPL | 1 Pcs | |
| 109 | 8057549 | Bracket/Toe Kick 05/06 DW | 2 Pcs | |
| 111 | 8073481-49 | Spring Kicking Plate L. Gray | 2 Pcs | |
| 124 | 8074293-86 | LOWER COVER LOW BLACK | 1 Pcs | |
| 125 | 8073707-86 | GUARD PLATE BLACK | 1 Pcs | |
| 125 | 8076822 | GUARD PLATE | 1 Pcs | |
| 125 | 8076822-86 | GUARD PLATE BLACK | 1 Pcs | |
| 125 | 8073707 | Proection Plate | 1 Pcs | |
| 125-a | 8902357 | Screw | 4 Pcs | |
| 133 | 8051957 | Slide foot 02 DW | 3 Pcs | |
| 134 | 8058491-77 | Door Spring 05/06 for 07 lbs | 2 Pcs | |
| 135 | 8073774 | Cord Set | 1 Pcs | |
| 136 | 8073781 | TERMINAL BLOCK D3000 W/ RFI | 1 Pcs | |
| 136-a | 8902131 | Screw | 1 Pcs | |
| 140 | 8073825 | Inl. Valve Single 120V Sens. | 1 Pcs | |
| 140-a | 8052189 | Hose Clamp Squeeze | 1 Pcs | |
| 141 | 8073879 | Fill hose quick connect | 1 Pcs | |
| 142 | 8006948 | Grommet | 1 Pcs | |
| 143 | 8074230 | Rubber Hose | 1 Pcs | |
| 143-a | 8052189 | Hose Clamp Squeeze | 2 Pcs | |
| 158 | 8059758-86 | Kick Plate Black | 1 Pcs | |



Baskets and related parts

ASKO, D3112 US - Black Bi (DW20.1)

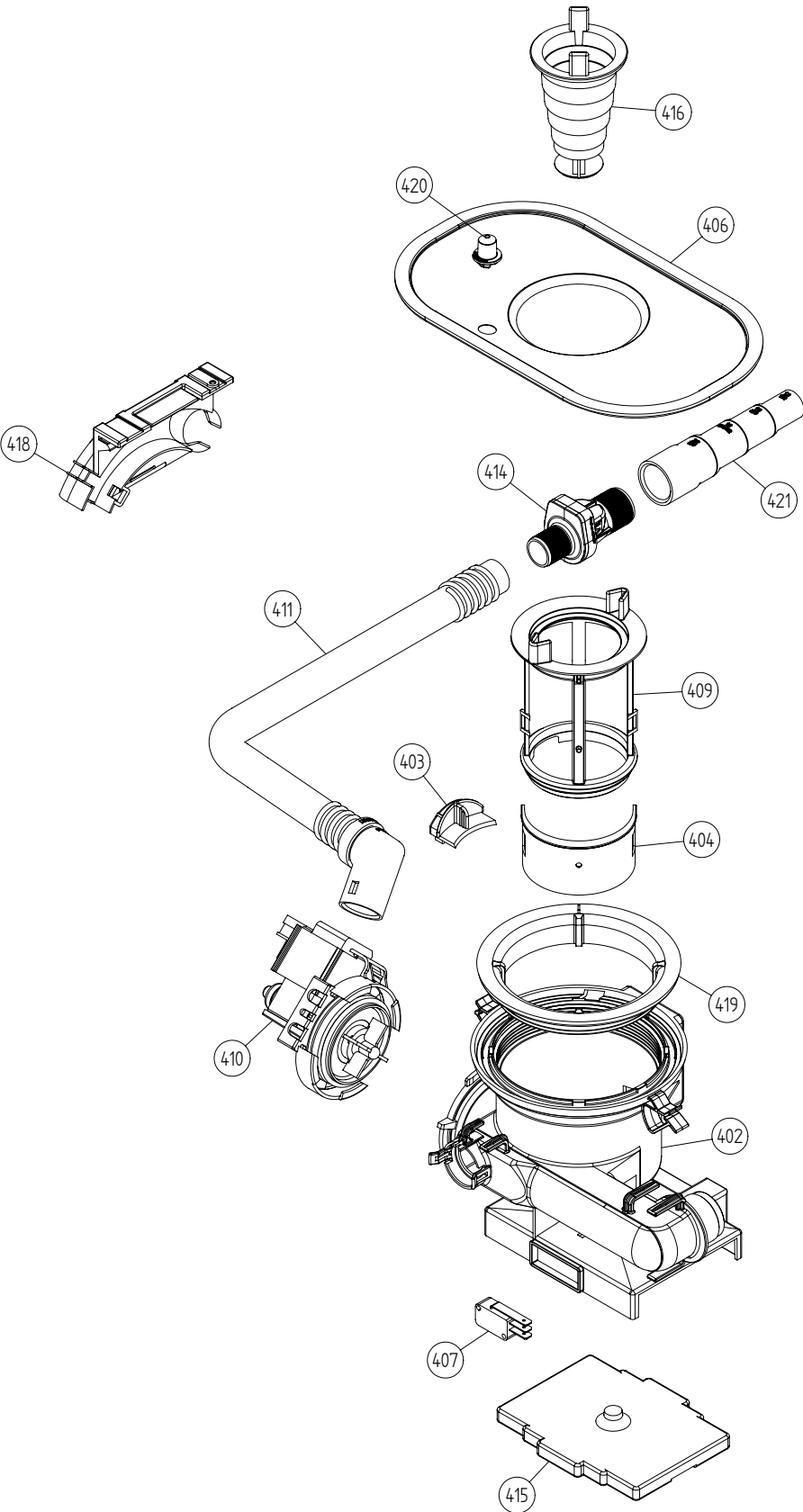
| Pos | Spare part No. | Description | Qty | Comment |
|------------|-----------------------|-------------------------------|------------|------------------|
| 201 | 8057056 | - | 1 Pcs | Not a spare part |
| 202 | 8801236-36 | Upper Basket Gray | 1 Pcs | |
| 203 | 8801237-36 | Lower Basket Gray | 1 Pcs | |
| 206 | 8009516-77 | Rack Wheels Lower 05/06 DW | 8 Pcs | |
| 208 | 8071214-77 | Knife Holder 05/06 DW | 2 Pcs | |
| 209 | 8071336-36 | Cup Shelf 05/06 DW | 1 Pcs | |
| 210 | 8071337-36 | Cup Shelf Wine Glass 05/06 DW | 1 Pcs | |
| 212 | 8801239-77 | Cutlery Basket incl. Door | 1 Pcs | |
| 213 | 8058498-77 | Wheel Upper Basket 05/06 DW | 4 Pcs | |
| 218 | 8057052 | Guide Rail 05 06 DW | 2 Pcs | |
| 219 | 8057977 | Bearing Upper Rail 05/06 DW | 8 Pcs | |
| 220 | 8057978-77 | Rail Stop Back Grey 05/06 DW | 2 Pcs | |
| 221 | 8057979-77 | Rack Stop Grey 05/06 DW | 2 Pcs | |
| 222 | 8058638-77 | Ball Holder Upper Rail DW | 2 Pcs | |
| 225 | 8057978-77 | Rail Stop Back Grey 05/06 DW | 2 Pcs | |
| 227 | 8057489 | Tub Seal 05/06 DW | 1 Pcs | |
| 230 | 8071257 | Edge Guard | 1 Pcs | |
| 231 | 8072986-77 | Door Cutlery Basket | 1 Pcs | |
| 232 | 8801240 | Lock Catch incl. Screw&Nut | 1 Pcs | |
| 241 | 8057506-77 | Knife Stop | 1 Pcs | |
| 244 | 8057514 | Sub To 8801234 | 1 Pcs | |
| 244-a | 8052189 | Hose Clamp Squeeze | 1 Pcs | |
| 245 | 8057536-77 | Lockring Airbreak Gray | 1 Pcs | |
| 247 | 8074342-86 | Trim Strip Left Black | 1 Pcs | |
| 247-a | 8900646 | Screw 20 Torx SS | 2 Pcs | |
| 248 | 8074343-86 | Trim Strip Right Black | 1 Pcs | |
| 248-a | 8900646 | Screw 20 Torx SS | 2 Pcs | |



Wash system

ASKO, D3112 US - Black Bi (DW20.1)

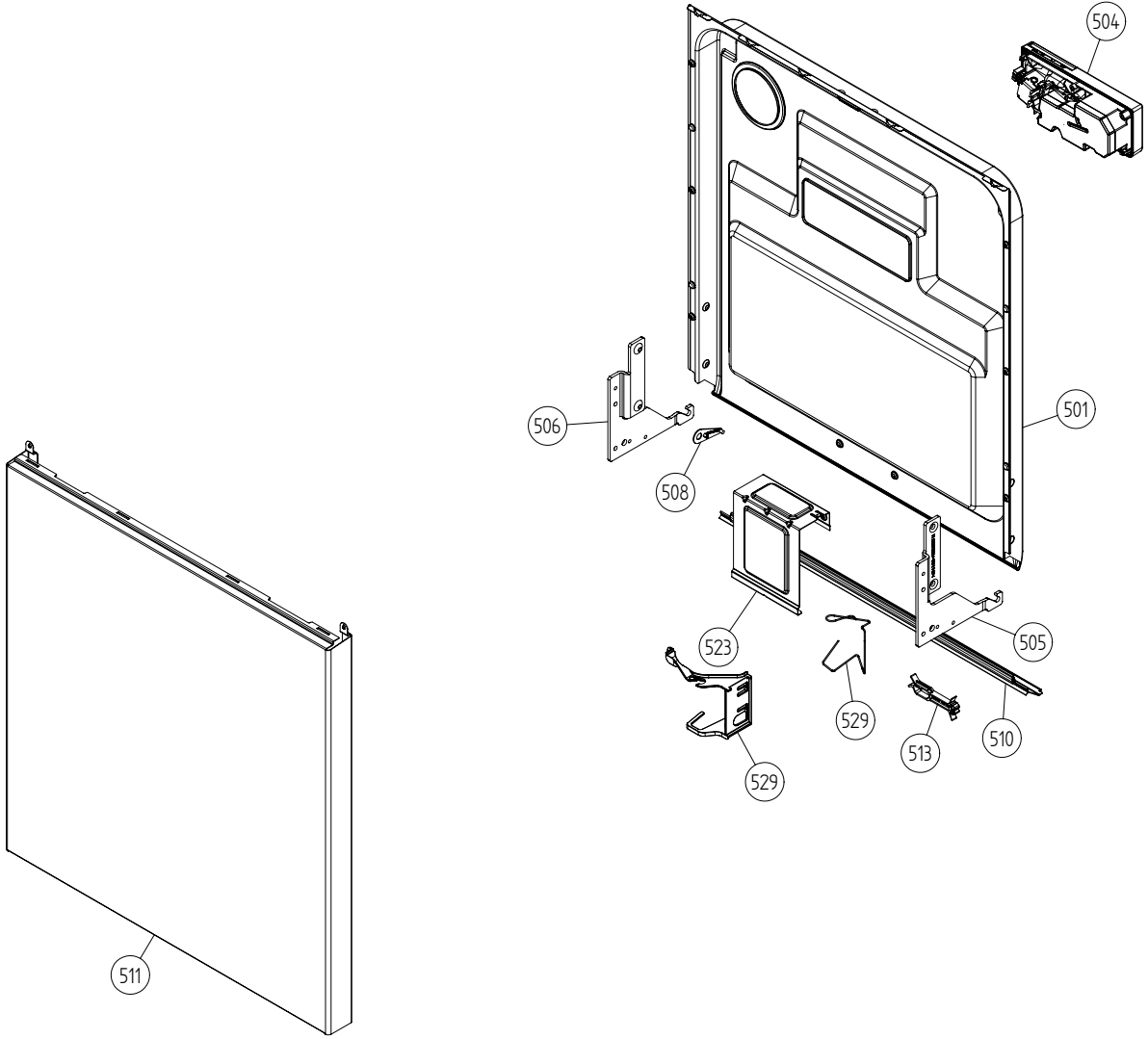
| Pos | Spare part No. | Description | Qty | Comment |
|-------|----------------|--------------------------------|-------|--------------------------------------|
| 301 | 8072108 | - | 1 Pcs | Not to be ordered |
| 303 | 8073813 | Circ. Pump 120V 60HZ | 1 Pcs | |
| 303-a | 8075380 | capacitor D3000 | 1 Pcs | |
| 304 | 8075130 | Rubber Damper Circ. Pump | 1 Pcs | |
| 305 | 8073785 | Heating Element 1200W 120V | 1 Pcs | |
| 306 | 8073702 | Element Transmutation | 2 Pcs | |
| 307 | 8075070 | INSERT FOR HEATER | 1 Pcs | |
| 308 | 8073385-77 | Cup Drainage Gray | 1 Pcs | |
| 310 | 8072888 | Hose Circ. Pump | 1 Pcs | |
| 310-a | 8056491 | Hose Clamp Squeeze | 2 Pcs | |
| 312 | 8076901-77 | SPRAY ARM BEARING L. GREY UL4 | 1 Pcs | |
| 312 | 8072728-77 | Spray Arm Bearing L. Gray | 1 Pcs | |
| 313 | 8076903-77 | SPRAYARM BEARING UPPER UL4 | 1 Pcs | |
| 313 | 8801268 | KIT SPRAYARM BEAR. UPPER DW20 | 1 Pcs | |
| 318 | 8073387 | Spray Pipe | 1 Pcs | |
| 323 | 8801270 | KIT SPRAYARM BEAR. LOW NOZZLE | 1 Pcs | |
| 323 | 8076900-L-77 | SPRAYTOWER L. SPRAY NOZZLE UL4 | 1 Pcs | |
| 323-a | 8901765 | ORing det. Comp. 03/04 DW | 1 Pcs | |
| 324 | 8801268 | KIT SPRAYARM BEAR. UPPER DW20 | 1 Pcs | |
| 324 | 8076902-L-77 | SPRAYTOWER U. SPRAY NOZZLE UL4 | 1 Pcs | |
| 325 | 8072891 | Spray Arm Lower Complete | 1 Pcs | |
| 326 | 8072894 | Spray Arm Upper Complete | 1 Pcs | |
| 327 | 8073381 | Tube Pot Rinse | 1 Pcs | |
| 327-a | 8902085 | Screw 20T for Plastic | 2 Pcs | |
| 328 | 8071607 | Lockring Spray Pipe Bearing | 1 Pcs | |
| 329 | 8075936 | INTERMEDIATE WELDED | 1 Pcs | |
| 329 | 8073823 | INTERMEDIATE | 1 Pcs | |
| 329-a | 8075071 | ORing | 2 Pcs | |
| 331 | 8072543-77 | Spray Nozzle | 1 Pcs | For part no 8073381 and 8072730-L-77 |
| 332 | 8075420 | Hose | 1 Pcs | |
| 332-a | 8052189 | Hose Clamp Squeeze | 2 Pcs | |



Bottom well and related parts

ASKO, D3112 US - Black Bi (DW20.1)

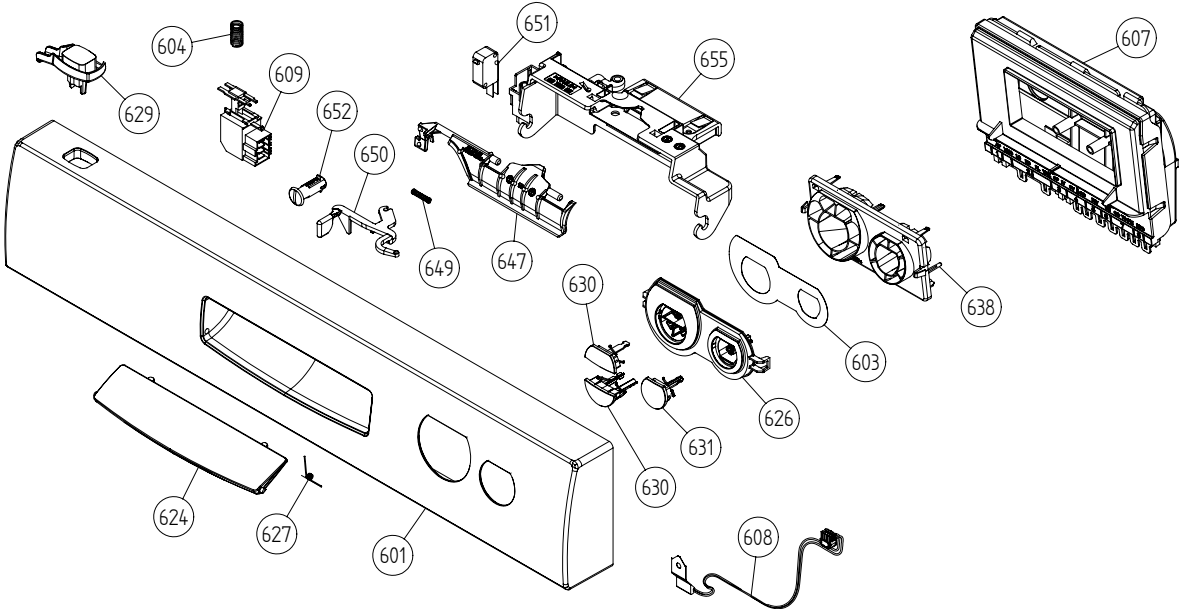
| Pos | Spare part No. | Description | Qty | Comment |
|------------|-----------------------|-------------------------------|------------|----------------|
| 402 | 8073690-77 | Bottom Well w/o Sensor | 1 Pcs | |
| 402-a | 8073002 | ORing | 1 Pcs | |
| 403 | 8057487-79 | Sump Plug DW 05/06 Cleanout | 1 Pcs | |
| 404 | 8058454 | Cover Str. Basket 05/06 DW | 1 Pcs | |
| 406 | 8074252 | Use 8074364 | 1 Pcs | |
| 406 | 8074364 | STRAINER DW20 | 1 Pcs | |
| 407 | 8073835 | MICROSWITCH FLOAT | 1 Pcs | |
| 409 | 8073396-77 | INSERT STRAINER BASKET | 1 Pcs | |
| 410 | 8073818 | Drain Pump | 1 Pcs | |
| 410-a | 8002584 | ORing Drain Pump 05/06 DW | 1 Pcs | |
| 411 | 8074030 | Outlet Hose | 1 Pcs | |
| 411-a | 8052239 | Hose Clamp Squeeze | 1 Pcs | |
| 411-b | 8052430 | Cable Strip | 1 Pcs | |
| 414 | 8801248 | Check Valve Kit | 1 Pcs | |
| 414-a | 8052239 | Hose Clamp Squeeze | 1 Pcs | |
| 414-b | 8053642 | Hose Clip | 1 Pcs | |
| 415 | 8075110 | FLOAT | 1 Pcs | |
| 416 | 8057972-77 | Strainer Basket Grey 05/06 DW | 1 Pcs | |
| 418 | 8072528-77 | Holder Outlet Hose | 1 Pcs | |
| 418-a | 8053642 | Hose Clip | 1 Pcs | |
| 418-b | 8052239 | Hose Clamp Squeeze | 1 Pcs | |
| 418-c | 33700450 | Cable Strip | 1 Pcs | |
| 418-d | 8902072 | Screw | 1 Pcs | |
| 419 | 8072848 | Lockring Bottom Well | 1 Pcs | |
| 420 | 8074760-77 | Ventilator | 1 Pcs | |
| 421 | 8075321 | End Cuff | 1 Pcs | |



Inner door, panel and related parts

ASKO, D3112 US - Black Bi (DW20.1)

| Pos | Spare part No. | Description | Qty | Comment |
|------------|-----------------------|--------------------------------|------------|----------------|
| 501 | 8801243 | Door Inner w/Insul. | 1 Pcs | |
| 501-a | 8900646 | Screw 20 Torx SS | 6 Pcs | |
| 501-b | 8902121 | Screw | 4 Pcs | |
| 504 | 8073804 | Combidisp. Optical 120V | 1 Pcs | |
| 504-a | 8071916 | Subs to 8071918 | 1 Pcs | |
| 504-b | 8071917 | CAP RINSE AGENT | 1 Pcs | |
| 504-c | 8071918 | Detergent Lid Complete | 1 Pcs | |
| 504-d | 8072288 | Sealing Strip Combbidisp. | 1 Pcs | |
| 504-f | 8902087 | Screw Plastic Housing 20 Torx | 6 Pcs | |
| 505 | 8057524 | Hinge Right DW 05/06 | 1 Pcs | |
| 505-a | 8057530 | Screw hinge 05 | 1 Pcs | |
| 505-b | 33500262 | Nut Term Block | 1 Pcs | |
| 506 | 8057525 | Hinge left DW 05/06 | 1 Pcs | |
| 506-a | 8057530 | Screw hinge 05 | 1 Pcs | |
| 506-b | 33500262 | Nut Term Block | 1 Pcs | |
| 507 | 8057530 | Screw hinge 05 | 2 Pcs | |
| 507-a | 33500262 | Nut Term Block | 2 Pcs | |
| 508 | 8057948 | Slide washer hinge bearing 05 | 2 Pcs | |
| 510 | 8060254 | Lower SeallInner Door 05/06 DW | 1 Pcs | |
| 511 | 8076934-86 | DOOR OUTER THICK REINFORCED BL | 1 Pcs | |
| 511-a | 8900646 | Screw 20 Torx SS | 6 Pcs | |
| 513 | 8074015 | CABLE BRACKET DOOR | 1 Pcs | |
| 523 | 8057984 | Push Button Grey 1706/1716 DW | 1 Pcs | |
| 523-a | 8900646 | Screw 20 Torx SS | 2 Pcs | |
| 523-b | 8902357 | Screw | 2 Pcs | |
| 529 | 8074278 | Bracket for harness | 1 Pcs | |
| 529 | 8073612 | BRACKET FOR HARNESS | 1 Pcs | |



Control panel and related parts

ASKO, D3112 US - Black Bi (DW20.1)

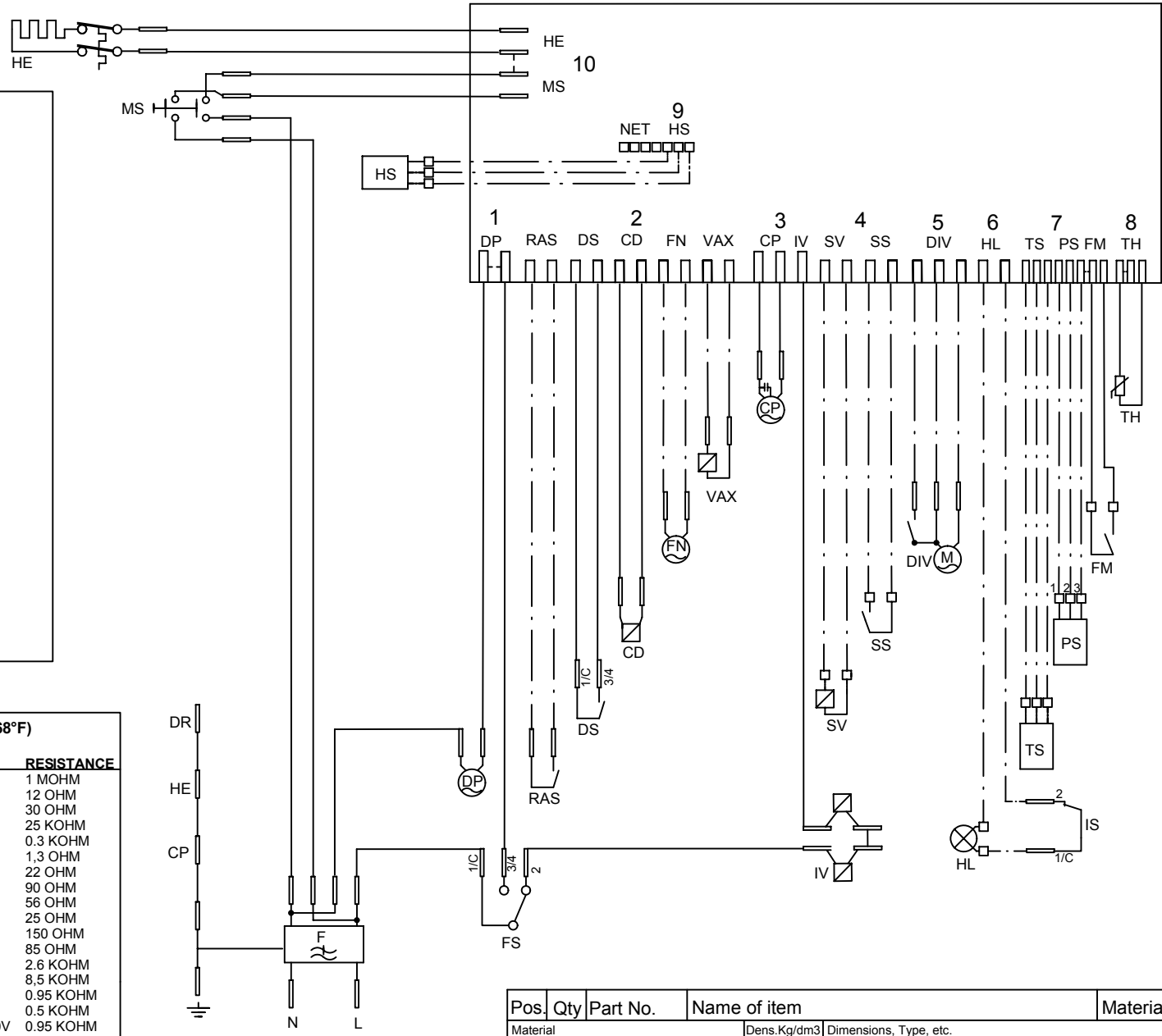
| Pos | Spare part No. | Description | Qty | Comment |
|-------|----------------|--------------------------------|--------|---------|
| 601 | 8077271-69-UL | PANEL ASKO 3112(321) GRAPH UL4 | 1 Pc's | |
| 602 | 8077273 | PROG.INFO.LABEL ASKO D321 FR | 1 Pc's | |
| 602 | 8077274 | PROG.INFO.LABEL ASKO D321 ES | 1 Pc's | |
| 602 | 8078190 | PROG.INFO.LABEL ASKO 321 ENG | 1 Pc's | |
| 602 | 8078311 | PROG.INFO.LABEL ASKO 321 FR | 1 Pc's | |
| 602 | 8078312 | PROG.INFO.LABEL ASKO 321 ES | 1 Pc's | |
| 602 | 8076965 | PROG.INFO.LABEL ASKO D321 ENG | 1 Pc's | |
| 603 | 8074957 | Decor Plate Graphic | 1 Pcs | |
| 604 | 8074277 | SPRING MAIN SWITCH | 1 Pcs | |
| 607 | 8801286 | CONTROL.UNIT DW20.1 US F.DISH | 1 Pc's | |
| 608 | 8073788 | Thermistor | 1 Pcs | |
| 608-a | 8076839 | thermistor spacer | 1 Pcs | |
| 609 | 8073782 | MAIN PUSH SWITCH | 1 Pcs | |
| 614 | 8075736 | cabl set | 1 Pcs | |
| 617 | 8075737 | CABLE SET FLOW SENSOR | 1 Pcs | |
| 618 | 8075738 | cabl set power | 1 Pcs | |
| 619 | 8075734 | cabl set door | 1 Pcs | |
| 622 | 8075731 | CABLE SET DRAIN | 1 Pcs | |
| 624 | 8073470-69 | COVER FOR HANDLE BLACK | 1 Pcs | |
| 626 | 8074000 | Lens DW320 | 1 Pcs | |
| 627 | 8074464 | SPRING FOR LID HANDLE | 1 Pcs | |
| 629 | 8075078-69 | Push Button Main Switch Graphi | 1 Pcs | |
| 630 | 8075082-69 | Push Button Prog. | 1 Pcs | |
| 631 | 8075081-69 | Push Button Start/Stop | 1 Pcs | |
| 638 | 8074008 | Light Guide | 1 Pcs | |
| 647 | 8072906 | Catch Handle | 1 Pcs | |
| 649 | 8072908 | SPRING LOCK | 1 Pcs | |
| 649 | 8075790 | Spring Door Lock Handle | 1 Pcs | |
| 650 | 8072907 | Control Arm Safety Catch | 1 Pcs | |
| 651 | 8073836 | MICROSWITCH DOOR | 1 Pcs | |
| 652 | 8057545 | Rotary catch child safety 05 | 1 Pcs | |
| 655 | 8072905 | Protection Catch | 1 Pcs | |
| 655-a | 8902085 | Screw 20T for Plastic | 2 Pcs | |
| 660 | 8076964-69 | PUSHBUTTON ASKO 321 OPT. UL4 | 1 Pc's | |
| 690 | 8077446 | INSTR. D3112-321 USA ENG | 1 Pc's | |
| 690 | 8077447 | INSTR. D3112-321 USA FR | 1 Pc's | |
| 690 | 8077448 | INSTR. D3112-321 USA ES | 1 Pc's | |
| 690 | 8077166 | INSTR. D3112-321 USA ENG | 1 Pc's | |
| 690 | 8077167 | INSTR. D3112-321 USA FR | 1 Pc's | |
| 690 | 8077168 | INSTR. D3112-321 USA ES | 1 Pc's | |

S:\UDW2011_Tryckunderlag\Kopplingsschema\8073809 Circuit diagram DW20.4_c.dft , mail , 2002-06-18 08:34:08

This document must not be copied without our written permission, and the contents thereof must not be imparted to a third party without the prior written consent and purpose. Askö Cylinda AB

- CD: COMBI DISPENSER
 - CP: CIRCULATION PUMP
 - DIV: WATER DIVERTER VALVE
 - DP: DRAIN PUMP
 - DR: DOOR
 - DS: DOOR SWITCH
 - F: FILTER
 - FM: FLOW METER
 - FN: FAN
 - FS: FLOAT SWITCH
 - HE: HEATING ELEMENT
 - HL: HALOGEN LAMP
 - HS: HUMIDITY SENSOR
 - IS: ILLUM. SWITCH
 - IV: INLET VALVE
 - MS: MAIN SWITCH
 - PS: PRESSURE SENSOR
 - RAS: RINSE AID SENSOR
 - SS: SALT SENSOR
 - SV: SALT VALVE
 - TH: THERMISTOR
 - TS: TURBIDITY SENSOR
 - VAX: VAX ACTUATOR
 - NET: INTERFACE TO HOME NET COMMUNICATION UNIT
-
- WIRES IN ALL MACHINES
 - - - INTERNAL CONNECTION
 - · - WIRES IN SOME MACHINES

| RESISTANCES AT ROOM TEMPERATURE (CA. 20°C/68°F) | |
|--|------------|
| VALUES WITH +/-10% ARE REGARDED AS NORMAL | |
| COMPONENT | RESISTANCE |
| RADIO INTERFERENCE SUPPRESSION FILTER | 1 MOHM |
| HEATING ELEMENT 1400W 120V | 12 OHM |
| HEATING ELEMENT 1800W 230V | 30 OHM |
| THERMISTOR | 25 KOHM |
| COMBINED DISPENSER 120V | 0.3 KOHM |
| COMBINED DISPENSER 230V | 1,3 OHM |
| CIRCULATION PUMP 120V 60HZ | 22 OHM |
| CIRCULATION PUMP 230V 50HZ | 90 OHM |
| CIRCULATION PUMP 220V 60HZ | 56 OHM |
| DRAIN PUMP 120V 60HZ | 25 OHM |
| DRAIN PUMP 230V 50HZ | 150 OHM |
| DRAIN PUMP 230V 60HZ | 85 OHM |
| SPRAY ARM DIVIDER 120V 60HZ | 2.6 KOHM |
| SPRAY ARM DIVIDER 230V 50/60HZ | 8,5 KOHM |
| INLET VALVE SINGLE INCL. FLOW SENSOR 120V | 0.95 KOHM |
| INLET VALVE SAFETY INCL. FLOW SENSOR 120V | 0.5 KOHM |
| INLET VALVE WATER SOFTNER INCL. FLOW SENSOR 120V | 0.95 KOHM |
| INLET VALVE SINGLE INCL. FLOW SENSOR 230V | 3,8 KOHM |
| INLET VALVE SAFETY INCL. FLOW SENSOR 230V | 2 KOHM |
| INLET VALVE WATER SOFTNER INCL. FLOW SENSOR 230V | 3,8 KOHM |
| HALOGEN LAMP 5W 12V | <10 KOHM |
| WAX MOTOR | 1.1 KOHM |
| FAN MOTOR 120V | 0.18 KOHM |
| FAN MOTOR 230V | 0,75 KOHM |

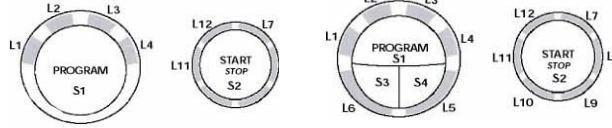


| Pos. | Qty | Part No. | Name of item | Material |
|-------------|-----|---------------|---|----------|
| Material | | Dens.Kg/dm3 | Dimensions, Type, etc. | |
| Scale | 1:1 | Gen.tolerance | Description(ENG) CIRCUIT DIAGRAM DW20.1, .2, .3, .4, .C | |
| Designed by | ML | Gen.tol.Angle | Description(SE) KOPPLINGSSCHEMA DW20.1, .2, .3, .4, .C | |
| Released by | UD | Iss by Dept | Year | Week |
| | | | 00 | 41 |
| | | | 80 738 09 | Rev Ind |
| | | | 00 | Replace |
| | | | | Project |

| Rev ind | Revision | Appd | Year | Week |
|---------|----------|------|------|------|
| | | | | |

Displays

DW20.1



Panel type DW20.1, L = LED, S = Push-button

DW20.2



Panel type DW20.2, L - LED, S - Push-button, D - Display

DW20.3



Panel type DW20.3, L - LED, S - Push-button

DW20.4



Panel type DW20.4, L - LED, S - Push-button

TOTAL RESET

- TURN OFF MAIN SWITCH
- WAIT FOR AT LEAST 5 SECS
- HOLD PROGRAM BUTTON (S1)
- TURN ON MAIN SWITCH
- RELEASE PROGRAM BUTTON (S1)

SERVICE MENU

- TURN OFF MAIN SWITCH
- WAIT FOR AT LEAST 5 SECS
- *HOLD PROGRAM AND START BUTTONS (S1 & S2)
- TURN ON MAIN SWITCH
- RELEASE PROGRAM AND START BUTTONS (S1 & S2)
- *FOR DW20.4 HOLD TEMPERATURE/SET AND DRYING/MENU (S3 & S4)

VARIANT SETTING

- *ACTIVATE THE SERVICE MENU
- PRESS START (S2) 3 TIMES WITHIN 5 SECS
- *FOR DW20.4
- HOLD PROGRAM AND START BUTTONS (S1 & S2)
- TURN ON MAIN SWITCH
- RELEASE PROGRAM AND START BUTTONS
- PRESS START (S2) 3 TIMES WITHIN 5 SECS

COMPONENT TEST:

First enter Service menu.

DW20.1

No component test available.

DW20.2 and DW20.3

Component test:

Press the Programme button (S1) and index through the following components:

1. Inlet valve
2. Salt valve (only machines with water softener)
3. Detergent and surfactant dispenser
4. Circulation pump
5. Heating element and circulation pump (Max 75°C)
6. Fan
7. Drain pump

DW20.4

First enter service menu.

Press Drying/Menu (S4) to access component diagnostics.

Press Temperature/Set (S3) to activate the following components:

1. Inlet valve (display shows water intake volume)
2. Salt valve (only machines with water softener)
3. Detergent and surfactant dispenser
4. Circulation pump (display shows turbidity in Volts)
5. Heating element and circulation pump (Max 75°C)
6. Fan (display shows humidity sensor value)
7. Drain pump (display shows pressure sensor reading; 0.5-3.5 VDC)

| Pos. | Qty | Part No. | Name of item | Material |
|---------------------|-----|--------------------------------------|--|-----------------------------------|
| Material | | Dens.Kg/dm3 | Dimensions, Type, etc. | |
| Scale | 1:1 | Gen.tolerance | Description(ENG) CIRCUIT DIAGRAM DW20.1, .2, .3, .4, .C | |
| Designed by | ML | Gen.tol.Angle | Description(SE) KOPPLINGSSCHEMA DW20.1, .2, .3, .4, .C | |
| Released by | UD | Iss by Dept Year Week 00 41 | 80 738 09 | Rev Ind Replace 00 Project |
| ASKO CYLINDA | | | | |

| | | | | |
|---------|----------|------|------|------|
| Rev ind | Revision | Appd | Year | Week |
|---------|----------|------|------|------|

S:\UDw20v1_Tryckunderlag\Kopplingsschema\8073809 Circuit diagram DW20.4_c.dft . mail . 2002-06-18 08:34:08

This document must not be copied without our written permission, and the contents thereof must not be imparted to a third party without the prior written consent and purpose. Askö Cylinda AB