

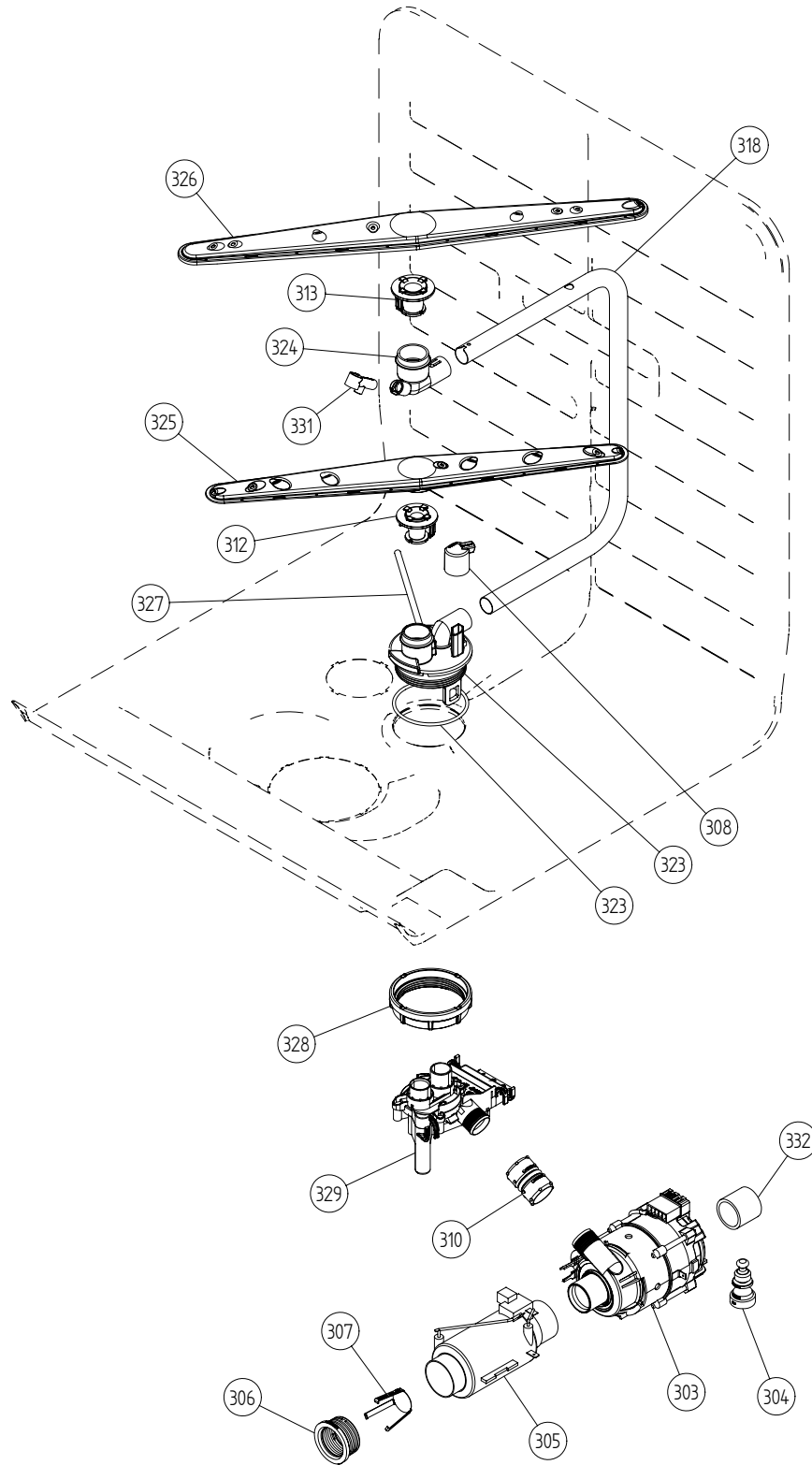
## Spare Parts Catalogue

Dishwashers \ 3000 Series  
Type: DW20.1US  
Model: D3120 US SS Bi

Prod. No: 107312001  
October 5th 2004

**AM Appliances Group**

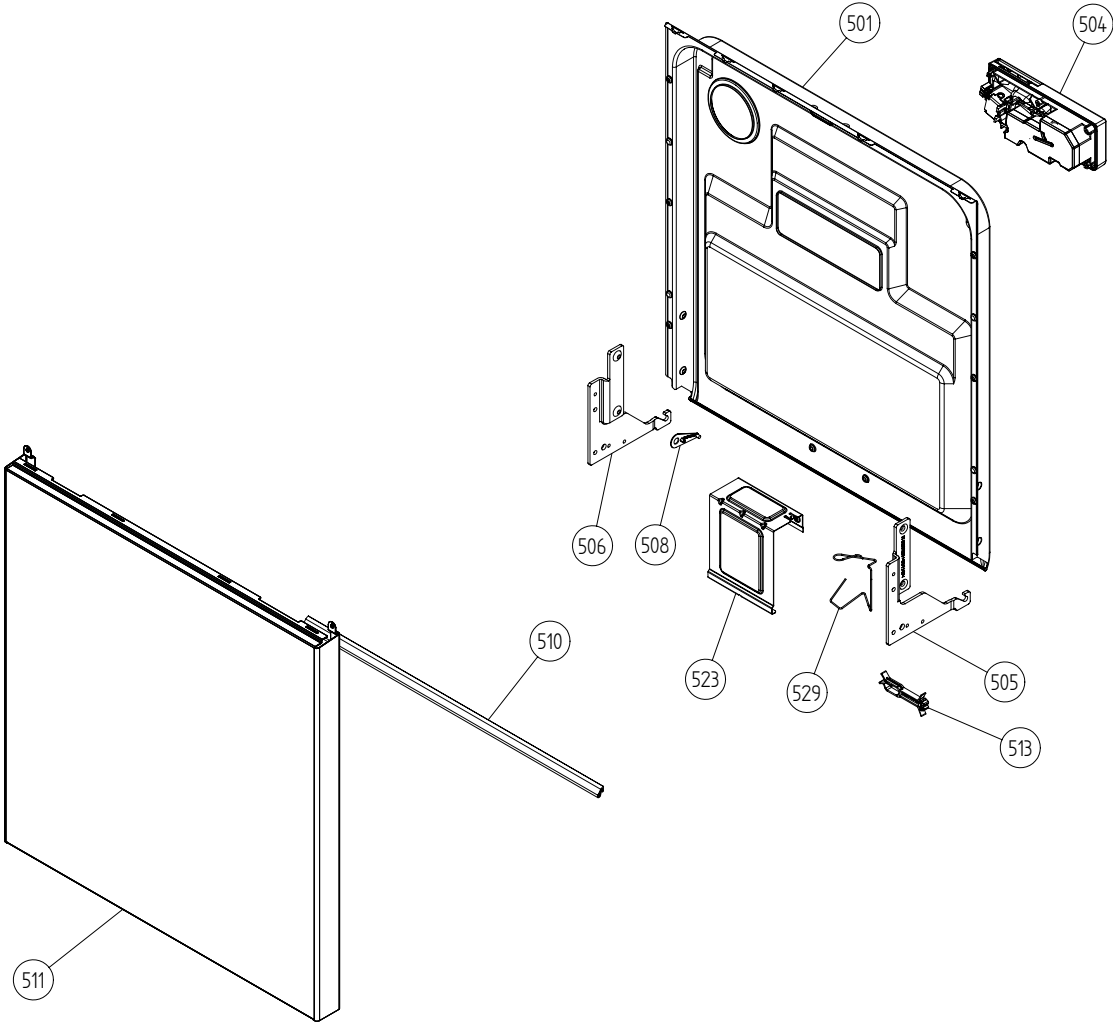
P.O. Box 851805 • Richardson • TX 75085-1805  
789 N. Grove Road • Suite 103 • Richardson • TX 75081



## Wash system

### ASKO, D3120 US - SS Bi (DW20.1US)

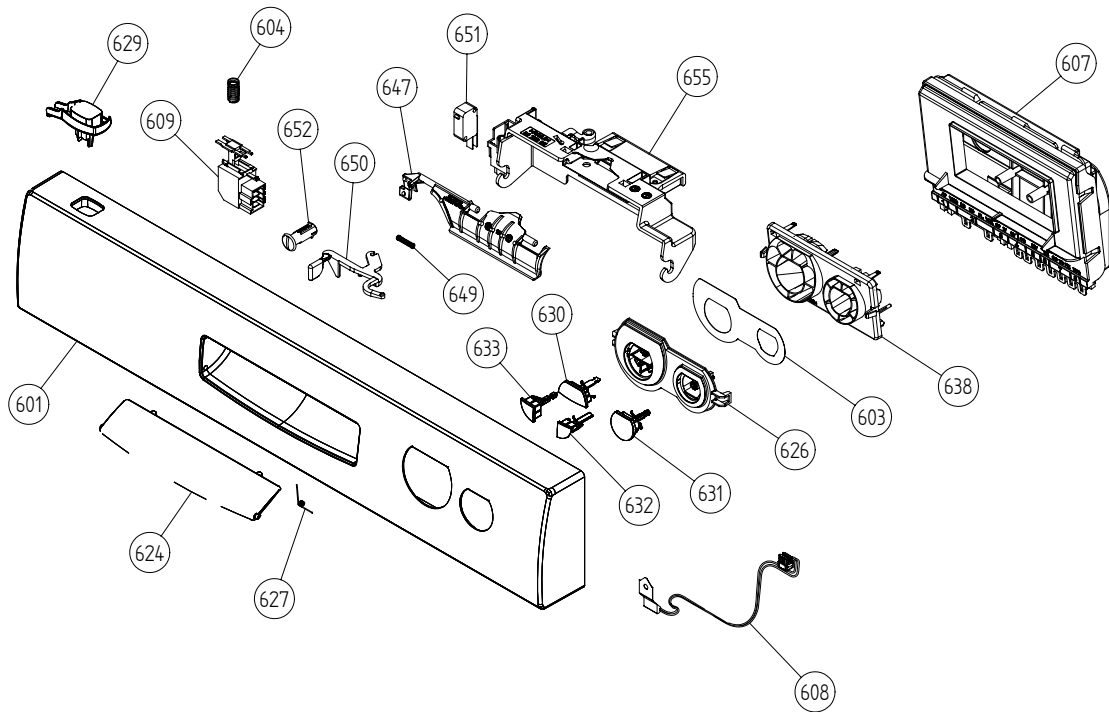
Pos	Spare part No.	Description	Qty	Comment
301	8072108	-	1 Pcs	Not to be ordered
303	8073813	CIRCPUMP 120V 60HZ UL4	1 Pcs	
304	8075130	RUBBER DAMPER CIRCPUMP UL4	1 Pcs	
305	8073785	HEATINGELEMENT 1200W 120V	1 Pcs	
306	8073702	ELEMENT TRANSMUTATION UL4	2 Pcs	
307	8075070	INSERT FOR HEATER	1 Pcs	
308	8073385-77	CUP DRAINAGE GREY	1 Pcs	
310	8072888	HOSE CIRKPUMP UL4	1 Pcs	
310-a	8056491	HOSE CLIP 301-708	2 Pcs	
312	8072728-77	SPRAY ARM BEARING L GREY UL4	1 Pcs	
313	8072731-77	SPRAYARM BEARING UPPER UL4	1 Pcs	
318	8073387	SPRAY PIPE Ø18	1 Pcs	
323	8071606-L-77	SPRAYTOWER L SPRAY NOZZLE UL4	1 Pcs	
323-a	8901765	O-RING 695X3 UL4	1 Pcs	
324	8072730-L-77	SPRAYTOWER U SPRAY NOZZLE UL4	1 Pcs	
325	8072891	SPRAYARM LOWER COMPLETE	1 Pcs	
326	8072894	SPRAYARM UPPER COMPLETE	1 Pcs	
327	8073381	TUBE POTRINSE 6x160	1 Pcs	
327-a	8902085	SCREW PT KB40X10 WN1442 RFS	2 Pcs	
328	8071607	LOCKRING SPRAYPIPE BEARING UL4	1 Pcs	
329	8073823	INTERMEDIATE	1 Pcs	
329-a	8075071	O-RING 19X4 70NBR 4004	2 Pcs	
331	8072543-77	SPRAY NOZZLE UL4	2 Pcs	For part no 8073381 and 8072730-L-77
332	8075420	HOSE 268X328X295	1 Pcs	
332-a	8052189	HOSE CLIP RFZ 170-706R	2 Pcs	



## ***Inner door, panel and related parts***

**ASKO, D3120 US - SS Bi (DW20.1US)**

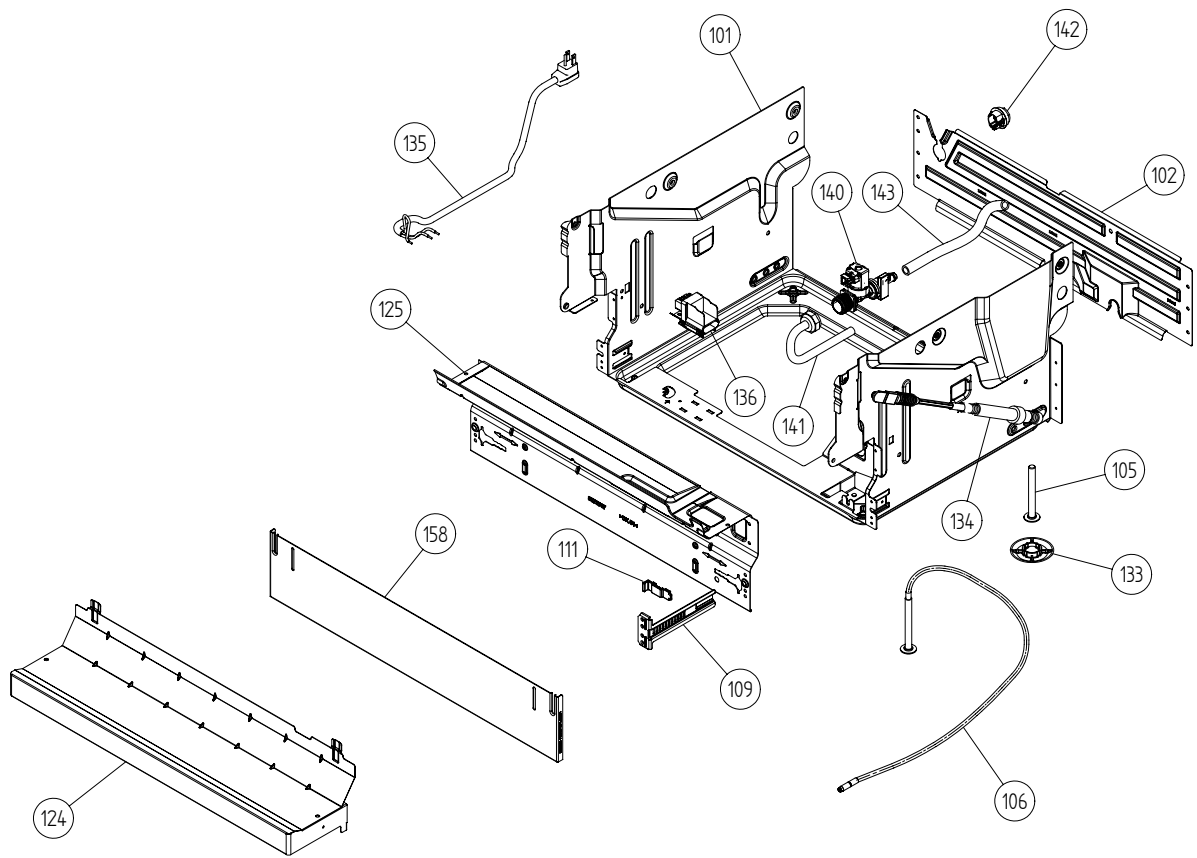
<b>Pos</b>	<b>Spare part No.</b>	<b>Description</b>	<b>Qty</b>	<b>Comment</b>
501	8801243	DOOR INNER WINSUL	1 Pcs	
501-a	8900646	SCREW A4 RTS 42X13 T20 SORT	6 Pcs	
501-b	8902121	SCREW A2-MKFT 5X10	4 Pcs	
504	8073804	COMBIDISP OPTICAL 120V UL4	1 Pcs	
504-a	8071916	SEALDETCOMPLID	1 Pcs	
504-b	8071917	CAP RINSE AGENT	1 Pcs	
504-c	8071918	LIDINCLSEAL AND SPRING	1 Pcs	
504-d	8072288	SEALING STRIP COMBIDISP	1 Pcs	
504-e	8075778	BRACKET COMBI DISPENSER	2 Pcs	
504-f	8902087	SCREW PTK 40X14 WN1452 FZB T20	6 Pcs	
505	8057524	HINGE RIGHT PAINTED DW95	1 Pcs	
505-a	8057530	HINGE SCREW DW95	1 Pcs	
505-b	33500262	NUT M4 (LOC-KING) 4 DIN 985	1 Pcs	
506	8057525	HINGE LEFT PAINTED DW95	1 Pcs	
506-a	8057530	HINGE SCREW DW95	1 Pcs	
506-b	33500262	NUT M4 (LOC-KING) 4 DIN 985	1 Pcs	
507	8057530	HINGE SCREW DW95	2 Pcs	
507-a	33500262	NUT M4 (LOC-KING) 4 DIN 985	2 Pcs	
508	8057948	SLIDE WASHER HINGE BEARINGDW95	2 Pcs	
510	8057949	DOOR SEAL Replby 8060254	1 Pcs	
510	8060254	DOOR SEAL LOWER CUTTING 555	1 Pcs	
511	8071106-95	DOOR OUTER THICK STAINL	1 Pcs	
511-a	8900646	SCREW A4 RTS 42X13 T20 SORT	6 Pcs	
513	8074015	CABLE BRACKET DOOR	1 Pcs	
523	8057984	BRACE STAND DW95	1 Pcs	
523-a	8900646	SCREW A4 RTS 42X13 T20 SORT	2 Pcs	
523-b	8902357	SCREW RTS 42X13 FZB T20 SORT	2 Pcs	
529	8073612	BRACKET FOR HARNESS	1 Pcs	



## Control panel and related parts

### ASKO, D3120 US - SS Bi (DW20.1US)

Pos	Spare part No.	Description	Qty	Comment
601	8075752-81-UL	PANEL ASKO 3120(322) GRAP UL4	1 Pcs	
602	8075296	PROGINFOLABEL ASKO D322 ES	1 Pcs	
602	8075156	PROGINFOLABEL ASKO D322 FR	1 Pcs	
602	8075157	PROGINFOLABEL ASKO D322 ENG	1 Pcs	
603	8074957	DECOR PLATE ASKO 322 GRAPHIC	1 Pcs	
604	8074277	SPRING MAIN SWITCH	1 Pcs	
607	8801224	CONTROLUNIT COMPL DW201 USA	1 Pcs	
608	8073788	THERMISTOR UL4	1 Pcs	
609	8073782	MAIN PUSH SWITCH	1 Pcs	
614	8073888	CABLE SET CIRCPUMP INLVALVE	1 Pcs	
617	8073889	CABLE SET FLOW SENSOR	1 Pcs	
618	8073890	CABLESET POWER	1 Pcs	
619	8073886	CABLESET DOOR	1 Pcs	
622	8073883	CABLE SET DRAIN	1 Pcs	
624	8073470-81	COVER FOR HANDLE METAL GREY	1 Pcs	
626	8074000	LENS DW320 ASKO UL4	1 Pcs	
627	8074464	SPRING FOR LID HANDLE	1 Pcs	
629	8075078-81	PUSHBUTTON MAINSWITCH GRAPHIC	1 Pcs	
630	8075082-81	PUSHBUTTON ASKO 320 PROG UL4	1 Pcs	
631	8075081-81	PUSHBU START/ST ASKO 320 UL4	1 Pcs	
632	8075084-81	PUSHBU ASKO 320 RIGHT OPT UL4	1 Pcs	
633	8075083-81	PUSHBU ASKO 320 LEFT OPT UL4	1 Pcs	
638	8074008	LIGHT GUIDE ASKO UL4	1 Pcs	
647	8075550	Subs to 8072906	1 Pcs	
647	8072906	CATCH HANDLE UL4	1 Pcs	
649	8072908	SPRING LOCK	1 Pcs	
650	8072907	CONTROL ARM SAFETY CATCH UL4	1 Pcs	
651	8073836	MICROSWITCH DOOR	1 Pcs	
652	8057545	ROTARY CATCH DW95	1 Pcs	
655	8072905	PROTECTIONS CATCH UL4	1 Pcs	
655-a	8902085	SCREW PT KB40X10 WN1442 RFS	2 Pcs	
690	8075233	INSTR D3120-322 USA ENG	1 Pcs	

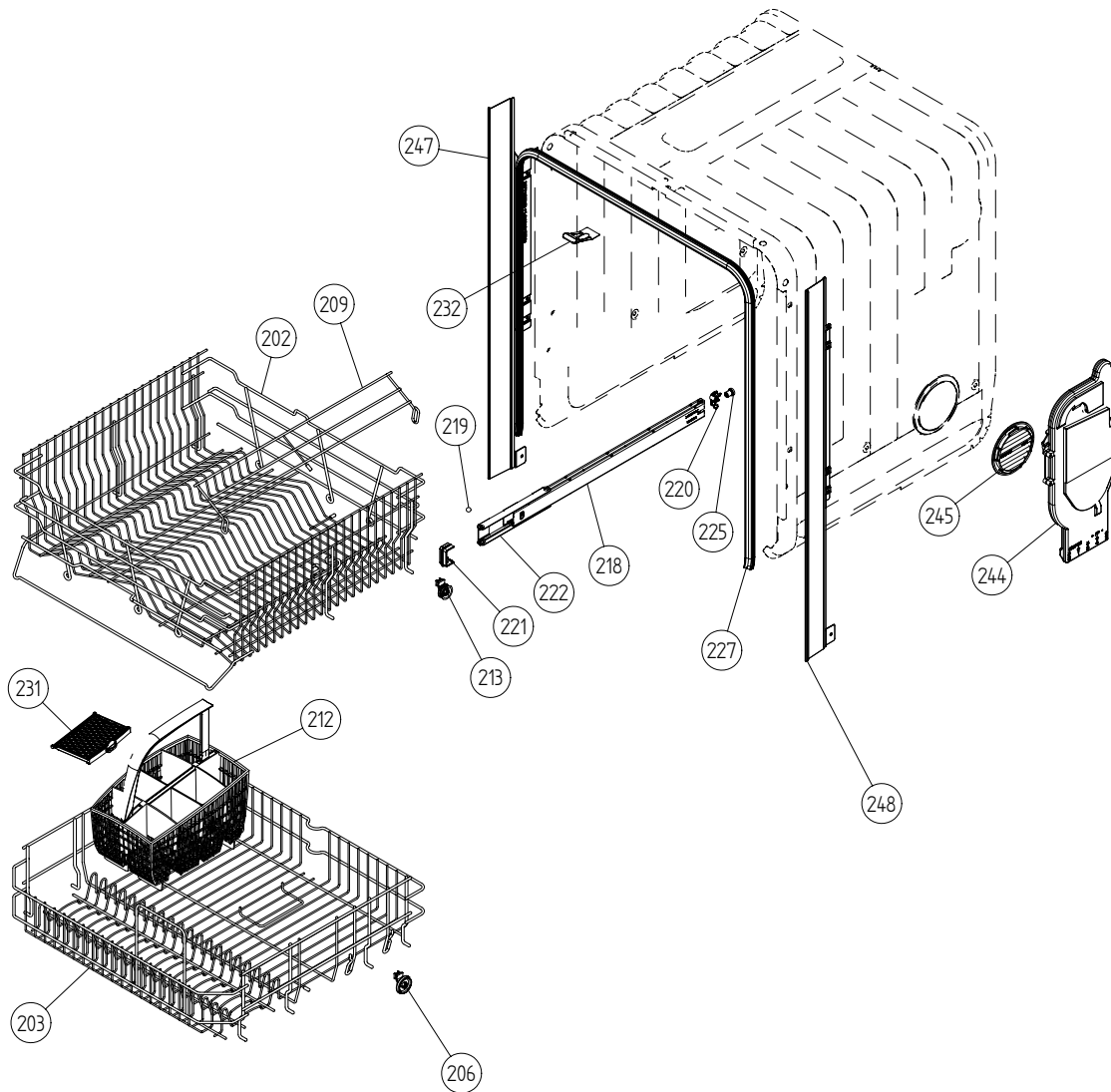




## **Base and related parts**

### **ASKO, D3120 US - SS Bi (DW20.1US)**

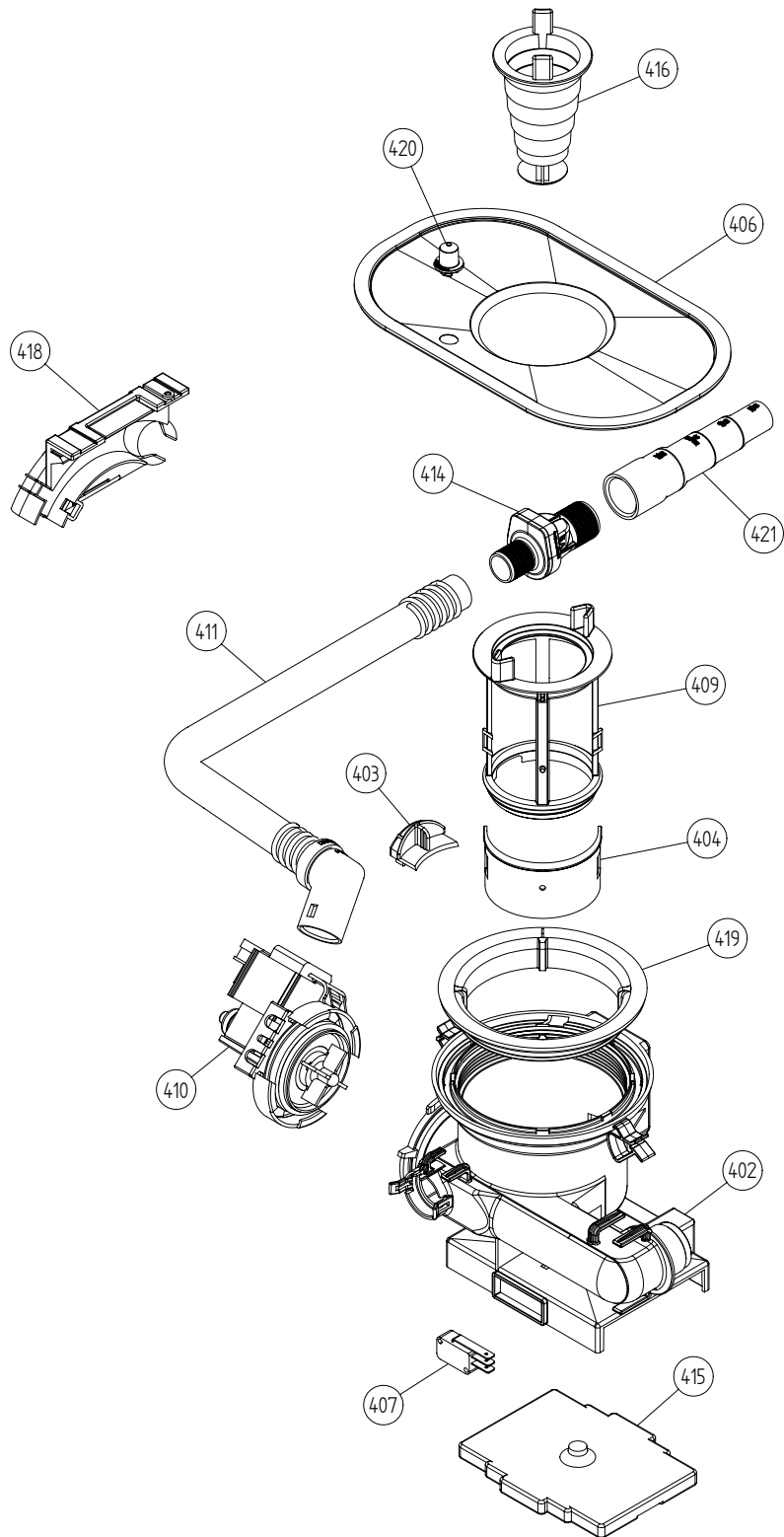
<b>Pos</b>	<b>Spare part No.</b>	<b>Description</b>	<b>Qty</b>	<b>Comment</b>
101	8074450	BOTTEM OUTER DW20	1 Pcs	
101-a	8901104	SCREW M4x8 A4 MRT VAXED T20	2 Pcs	
101-b	8901110	SCREW O-RING A2-M6X12 T30	4 Pcs	
102	8073880	REAR PANEL	1 Pcs	
102-a	8902357	SCREW RTS 42X13 FZB T20 SORT	5 Pcs	
105	8074877	FOOT M10x95 T30 88 FZB	2 Pcs	
106	8073647	FOOT ADJUSTABLE FROM FRONT CPL	1 Pcs	
109	8057549	BRACKET KICKING PLATE DW95	2 Pcs	
111	8073481-49	SPRING KICKING PLATE L-GREY	2 Pcs	
124	8074293-95	LOWER COVER LOW STAINLESS	1 Pcs	
125	8073707	GUARD PLATE	1 Pcs	
125-a	8902357	SCREW RTS 42X13 FZB T20 SORT	4 Pcs	
133	8051957	SLIDE FOOT DM-14	3 Pcs	
134	8058491-77	DOORSRING COMPL GREY	2 Pcs	
135	8073774	CORD SET AMERICA	1 Pcs	
136	8073781	FILTER WITH SCREWPLINT	1 Pcs	
136-a	8902131	SCREW MRT-TT 4X6 FZB T20	1 Pcs	
140	8073825	INLVALVE SINGLE 120V SENS UL4	1 Pcs	
140-a	8052189	HOSE CLIP RFZ 170-706R	1 Pcs	
141	8073879	CONNECTIONS PIPE 3/8-3/4	1 Pcs	
142	8006948	GROMMET Z13	1 Pcs	
143	8074230	RUBBER HOSE 10X15X225	1 Pcs	
143-a	8052189	HOSE CLIP RFZ 170-706R	2 Pcs	
154	33055088	RUBBER HOSE 10X15 UL4	1 Pcs	
154-a	8052189	HOSE CLIP RFZ 170-706R	2 Pcs	
158	8059758-81	KICKPLATE USA GREY	1 Pcs	



## **Baskets and related parts**

### **ASKO, D3120 US - SS Bi (DW20.1US)**

<b>Pos</b>	<b>Spare part No.</b>	<b>Description</b>	<b>Qty</b>	<b>Comment</b>
201	8057056	-	1 Pcs	Not a spare part
202	8801236-36	UPPER BASKET EXCL CPL DGREY	1 Pcs	
203	8801237-36	LOWER BASKET EXCL CPL LGREY	1 Pcs	
206	8009516-77	BASKET WHEEL COMPL GREY	8 Pcs	
209	8071336-36	CUP SHELF DGREY ADJUSTABLE	1 Pcs	
212	8801239-77	CUTLERY BASKET INCL DOOR	1 Pcs	
213	8058498-77	BASKET WHEEL COMPL GREY DW95	4 Pcs	
218	8057052	GUIDE RAIL	2 Pcs	
219	8057977	BALL DIAM 8 DW95	8 Pcs	
220	8057978-77	BALLCATCH GREY COMPL	2 Pcs	
221	8057979-77	BASKET STOP GREY	2 Pcs	
222	8058638-77	BALL DISTANCE RING GUIDE RAIL	2 Pcs	
225	8071247	RUBBER BUFReplby 8057978-77	2 Pcs	
227	8057489	DOOR STRIP UL4	1 Pcs	
230	8071257	EDGE GUARD L=420 MM	1 Pcs	
231	8072986-77	DOOR CUTLERYBASKET UL4	1 Pcs	
232	8801240	LOCK CATCH INCL SCREW&NUT	1 Pcs	
244	8057514	AIRBREAK STD W O-RING UL4	1 Pcs	
244-a	8052189	HOSE CLIP RFZ 170-706R	1 Pcs	
245	8057536-77	LOCKRING AIRBREAK GREY	1 Pcs	
247	8074342-95	TRIM STRIP LEFT USA SS	1 Pcs	
247-a	8900646	SCREW A4 RTS 42X13 T20 SORT	2 Pcs	
248	8074343-95	TRIM STRIP RIGHT USA SS	1 Pcs	
248-a	8900646	SCREW A4 RTS 42X13 T20 SORT	2 Pcs	



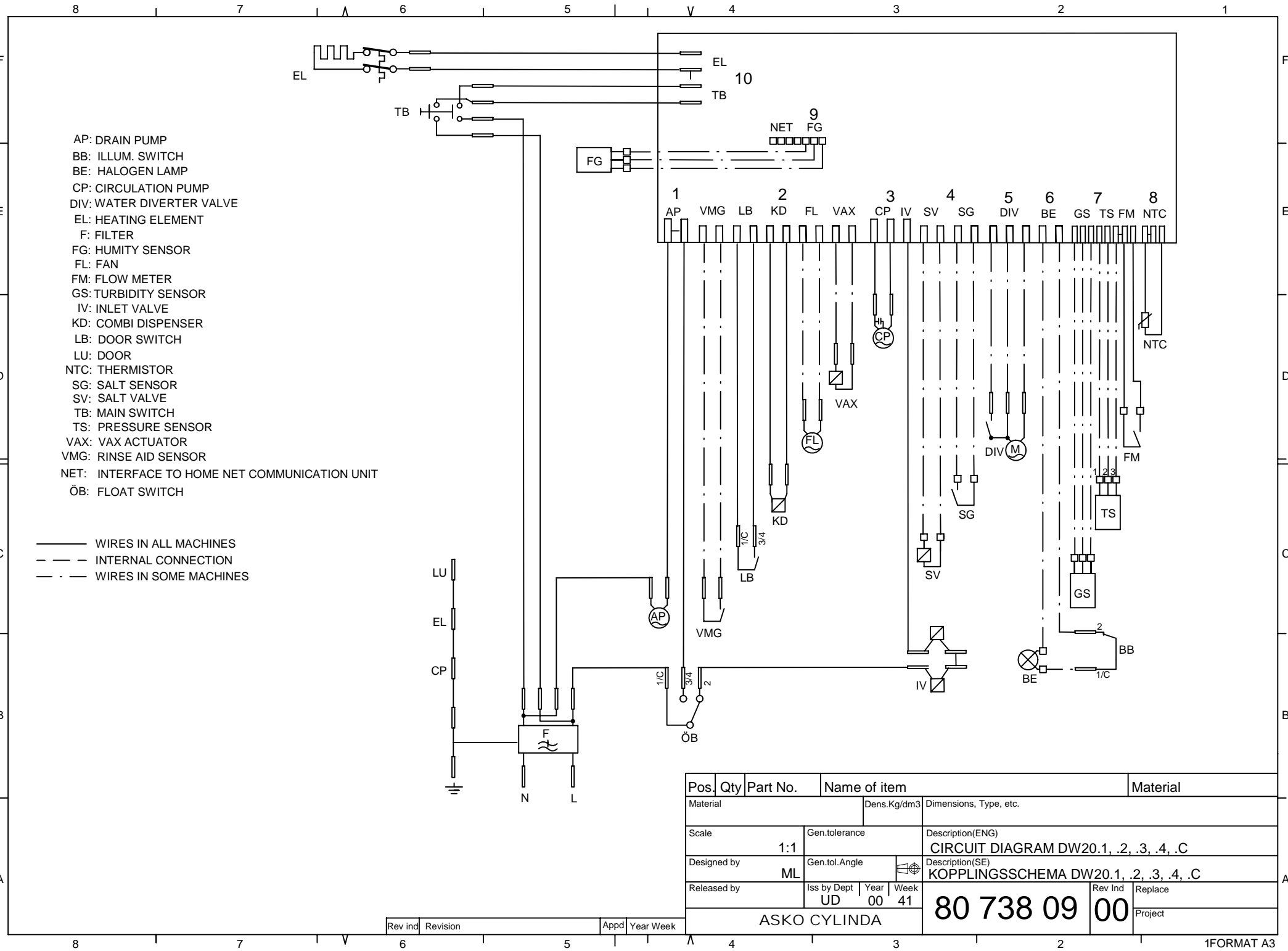
## **Bottom vell and related parts**

### **ASKO, D3120 US - SS Bi (DW20.1US)**

<b>Pos</b>	<b>Spare part No.</b>	<b>Description</b>	<b>Qty</b>	<b>Comment</b>
402	8073690-77	BOTTOM WELL WITHOUT SENSOR UL4	1 Pcs	
402-a	8073002	O-RING 109x4 NBR70 UL4	1 Pcs	
403	8057487-79	COVER PLATE BOTTOM WELL YELLOW	1 Pcs	
404	8058454	COVER PLATE INLET DW95	1 Pcs	
406	8074252	Use 8074364	1 Pcs	
406	8074364	STRAINER DW20	1 Pcs	
407	8073835	MICROSWITCH FLOAT	1 Pcs	
409	8073396-77	INSERT STRAINER BASKET	1 Pcs	
410	8073818	DRAIN PUMP 120V 60HZ UL4	1 Pcs	
410-a	8002584	O-RING 495X30 NBR70 UL1	1 Pcs	
411	8074030	OUTLET HOSE 25 M UL4	1 Pcs	
411-a	8052239	HOSE CLIP RFZ 285-316-706R	1 Pcs	
411-b	8052430	CABLE STRIP PLT3S -M (291X48)	1 Pcs	
414	8073403	NON RETURN VALVE	1 Pcs	
414-a	8052239	HOSE CLIP RFZ 285-316-706R	1 Pcs	
414-b	8053642	HOSE CLIP 271-708	1 Pcs	
415	8075110	FLOAT	1 Pcs	
416	8057972-77	STRAINER BASKET GREY	1 Pcs	
418	8072528-77	HOLDER OUTLETHOSE	1 Pcs	
418-a	8053642	HOSE CLIP 271-708	1 Pcs	
418-b	8052239	HOSE CLIP RFZ 285-316-706R	1 Pcs	
418-c	33700450	CABLE STRIP T 30 R	1 Pcs	
418-d	8902072	SCREW PT KB40X10 WN1442 GALV	1 Pcs	
419	8072848	LOCKRING BOTTOM WELL UL4	1 Pcs	
420	8074760-77	VENTILATOR UL4	1 Pcs	
421	8075321	END CUFF USA UL4	1 Pcs	

This document must not be copied without our written permission, and the contents thereof must not be imparted to a third party nor be used for any unauthorized purpose. ASKO CYLINDA AB

S:\UDw2011\_Tryckunderlag\Kopplingschema\8073809 Circuit diagram DW20.4\_c.dft , mail , 2002-06-18 08:34:08



Pos.	Qty	Part No.	Name of item	Material
Material		Dens.Kg/dm <sup>3</sup>	Dimensions, Type, etc.	
Scale		1:1	Description(ENG) CIRCUIT DIAGRAM DW20.1, .2, .3, .4, .C	
Designed by		ML	Description(SE) KOPPLINGSSCHEMA DW20.1, .2, .3, .4, .C	
Released by		UD	Iss by Dept   Year   Week 00   41	Rev Ind   Replace 00
ASKO CYLINDA			80 738 09	00
				Project

Rev ind	Revision	Appd	Year	Week