

Use & Care Guide

Dishwasher

ASKO D3350

Dear ASKO customer!

Congratulations on your excellent product choice and welcome to the Asko family. A global family with its roots in Scandinavia.

Cleaning results, design, environmental impact on nature and home, user-friendliness, low consumption of time, energy and water; a long life span, reliability... Good appliances should include all of these. And this is what we try to give you.

When you buy an ASKO product, we want you to feel assured that the inside is as good as the outside and that the ethics and morals on which we built this machine are just as high as the quality and performance you get from it. That is what Scandinavian quality is all about.

In order to get the best possible results from your machine and all its functions, please read this Use and Care Guide before using the machine for the first time. And if you have any questions, please do not hesitate to call us or contact us via our web site.

Best regards from Scandinavia and the people at Asko.

Contents

Contents	Page 3-4	Press start	14
		Changing options	
		Do you want to load more dishes?	
		If the machine is switched off with the main switch	
		After dishwashing	
Before doing your first wash	5	Eco-dishwashing	15
Read through the directions for use		Only perform washes with a full machine	
Take care with certain materials		Wash at a lower temperature	
Check the door		Select program without Extra dry	
Check the water hardness level		Do not rinse before dishwashing	
Machines with water softener		Choose environmentally-friendly dishwasher detergent	
Safety	6	Connect to cold water supply	
General		Fragile dishes	16
Winter storage/Transport		Fragile decoration	
Overfill protection		Crystal/glass	
Cleaning		Silver	
Packaging materials		Cutlery with glued handles	
Scrapping		Wood	
Child safety	7	Aluminium	
Child-safe button lock		Plastic	
Child-safe dishwashing		Protect plastic goods	
Protect your children! Dishwasher detergent is corrosive		Standard program	17
Parts of the dishwasher	8	Display	19
Technical information	8	Cleaning	20-21
Baskets	9	Coarse filter	
Control panel	10	Fine filter	
Dispenser	10	Drain pump	
Basic Course	11-14	Spray arms	
Load the baskets correctly		Door	
Dispensing dishwasher detergent		Rinse aid	22
Select program		Pour in rinse aid	
Options	13	Select dosage	
Upper / Lower basket		Salt	23
High temperature		Pour in salt	
Delayed start			
Extra dry			
Express			





Settings	24-26	(freestanding dishwasher)
Reprogramming		B. Adjusting machines with three
Child-safe button lock		or four feet
Super rinse		C. Adjusting machines with adjustable foot
Setting water hardness		
Fault indications	27	Adjusting plinth
		(Only with kick-plate as
		accessory)
Troubleshooting	28-30	Screw the dishwasher into place
The dishes are not clean		
Stains or a film on the china		Fitting fixed kick-plate
The china has a whitish-blue sticky film		
Stains on stainless steel or silver		Fitting strip seal (to the floor plinth's
Stains which remain after dishwashing		covering plate)
Rattling sounds during dishwashing		NB! Not all models
The machine will not start		
Water remains in the machine		Setting water hardness
Overfilling/leakage		
Bad odour in the machine		
		Service & guarantee
		37
		Own comments
		38
Performance information	31	Search words
		39
Installation	32-36	Quick Guide
Suggestions for positioning the		
dishwasher		
A. Built-in		
B. Freestanding		
C. Semi-freestanding		
Connection to water		
Connection to electricity		
Connection to drainage		
Positioning the machine		
A. Adjusting machines with six feet		

Before doing your first wash

Read through the directions for use

Read the directions of use before starting to use your machine, especially the Safety, Child Safety and Basic Course sections.

Take care with certain materials

Read the section 'Fragile Dishes' before washing china with unglazed decoration or other household goods made of plastic, wood or crystal requiring careful treatment.

Check the door

Check that the door of the dishwasher fits properly: open the door a little and let it go. Does it stay exactly where you released it? If not, you should check the installation instructions or consult the installer.

Check the water hardness level

Phone your local Water Board to check the water hardness in your area. This is important when dispensing dishwasher detergent and rinse aid.

Machine with water softener

Once you know the water hardness, you can set the water softener, see Chapter Settings. Before you start dishwashing, you must also fill with salt, see Chapter Salt.



General:

- Read and keep the directions for use!
- Installation of water, drainage and electricity must be carried out by a qualified professional.
- Do not use the dishwasher for any purposes other than those stated in these directions for use.
- Do not load the dishwasher door or the dishwasher baskets with anything other than dishes.
- Only use **dishwasher** detergent!
- Place knives and other sharp objects so that they cannot cause injury to people or damage the dishwasher.

Never put dishes containing solvent residue in the machine due to risk of explosion. Neither may dishes containing ashes, wax or lubricating grease be washed in the dishwasher.

Winter storage/Transport

Store the machine away from frost. Avoid long journeys in extreme cold. Transport the machine in an upright position or lying on its back.

Overfill protection

The overfill protection starts pumping out water and closes off the water intake if the machine's water level exceeds the normal level. If the overfill protector starts up, shut off the water supply and phone for service. See also 'Troubleshooting' on pages 28-30.

Cleaning

Only use a slightly damp cloth for cleaning around the edge of the door. Do not use a spray bottle! Water can penetrate into the lock and come into contact with the electrical components.

Packaging materials

Sort at source in accordance with the recommendations of your local authority.

Scrapping

When the time comes for the machine to be scrapped, it should immediately be rendered unusable. Remove the plug and cut off the lead as short as possible.

Contact your refuse collection department or your local authority for information on the correct way to dispose of the machine! The machine is manufactured and labelled for recycling.

Child safety!



KidLock™



KidSAFE™

Child-safe button lock

To prevent children starting the machine, you can activate a button lock.

Proceed as follows:

1. Switch off the dishwasher at the main switch.
2. Hold in the High temperature and Extra dry buttons, and at the same time switch on the main switch.

The High temperature, Extra dry and start symbols will then flash. Release the High temperature and Extra dry buttons.

3. Press the Program button until the display shows **1** with a key symbol alongside it.
4. Press the Start/Stop button to store the setting.

To deactivate the button lock temporarily when you want to start the machine, press the High temperature and Extra dry buttons simultaneously. The button lock will then automatically switch on again after 3 minutes.

To deactivate the button lock altogether, use the same procedure as for activation. When the display shows **0** and key symbol goes out, the button lock has been deactivated.

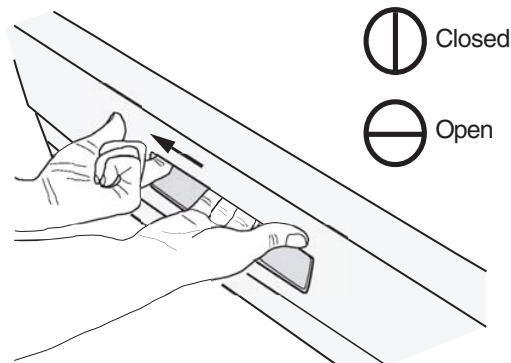
Advice!

You can read more about this in the Settings chapter.

Child safety lock

A child safety lock is fitted to prevent children from opening the door of the dishwasher.

1. Activate the child safety lock by pressing in the door latch and turning the screw slot (up in the left hand corner) to the vertical position with a screwdriver.
2. To open the door, you must press the white plastic latch (illustrated below) to the left at the same time as pressing the catch upwards. Reset by returning the screw slot to the horizontal position.



Child-safe dishwashing

- Use the knife box or knife stand for all long/sharp items.
- Always close the door and start the program immediately once dishwasher detergent has been added.
- Keep children away from the dishwasher when it is open. There might be the remains of dishwasher detergent present!
- Do not allow children to use or play with the dishwasher. Always take particular care when the door is open.

Protect your children!



- Dishwasher detergent is corrosive!

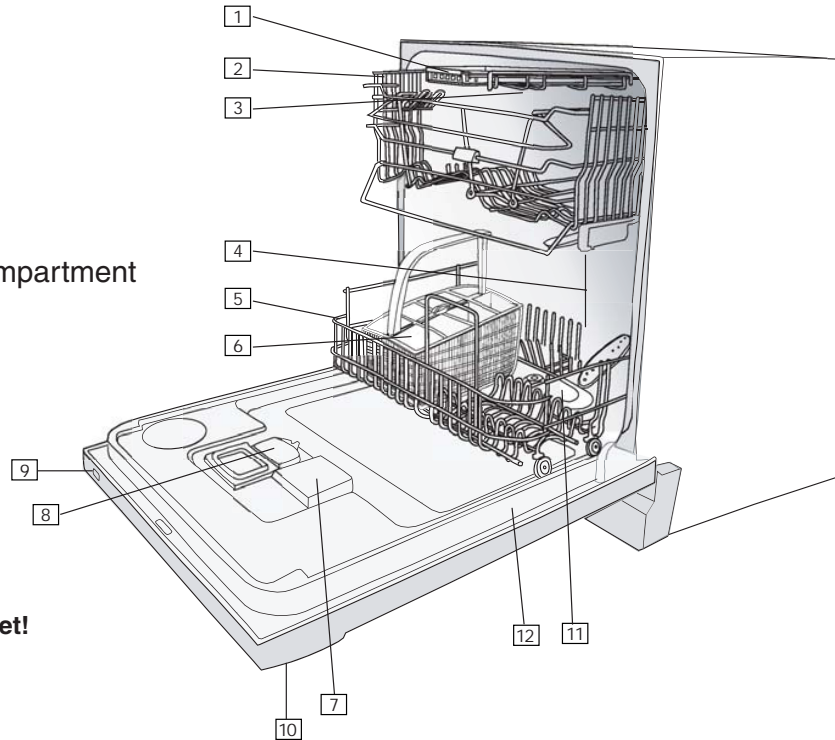
WARNING: Dishwasher detergents are strongly alkaline. They can be extremely dangerous if swallowed. Avoid contact with skin and eyes and keep children away from the dishwasher when the door is open.

Check that the detergent compartment is empty after completion of the wash cycle.

Store dishwasher detergent and rinse aid out of the reach of children! Should dishwasher detergent be swallowed, immediately drink one or two glasses of milk or water. Do not attempt to induce vomiting. Contact a doctor! Should dishwasher detergent come into contact with the eyes, rinse (for at least 15 minutes) with copious amounts of water.

Parts of the dishwasher*

1. Knife basket
2. Upper basket
3. Lamp
4. Spray arms
5. Lower basket
6. Cutlery basket
7. Rinse Aid Filling
8. Dishwasher detergent compartment
9. Main switch
10. Program panel
11. Filter
12. Type plate



* Details may differ depending on model and market!

Technical information

Height	820-870 mm
Width	596 mm
Depth	550 mm****
Weight	48 kg/51 kg with water softener*
Capacity**	14 place settings
Water pressure	0.03-1.0 MPa (0.3–10 kp/cm ²)
Connection	1-phase, 230 V, 50Hz 10/10A***
Max output	1900W***
Accessories	Work surface, Side panels, Anti-tilt

* Details may differ depending on model and market!

**In accordance with standard, AS/NZS 2007.

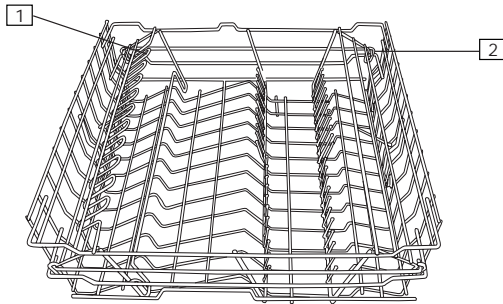
*** See type plate.

****Without fitted wooden door.

Baskets*



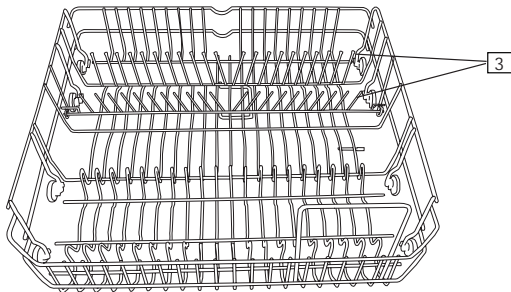
Upper basket



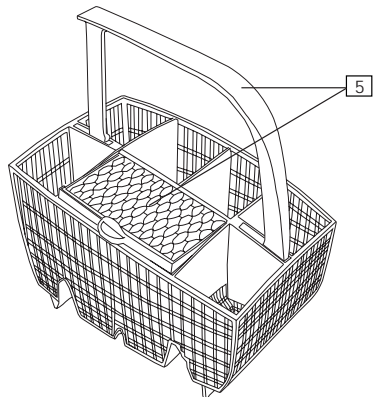
1. Wine glass shelf
2. Cup rack
3. Folding plate stand
4. Cutlery basket with folding door and handle

*Details may differ depending on the model and market!

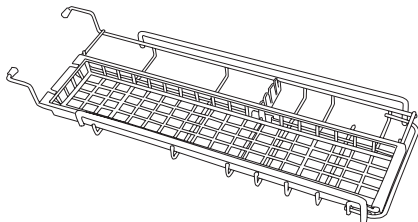
Lower basket



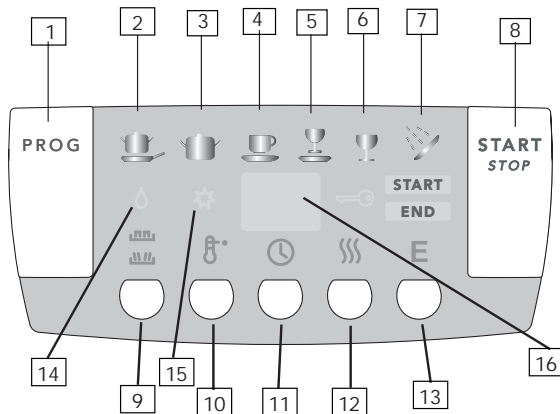
Cutlery basket



Knife basket



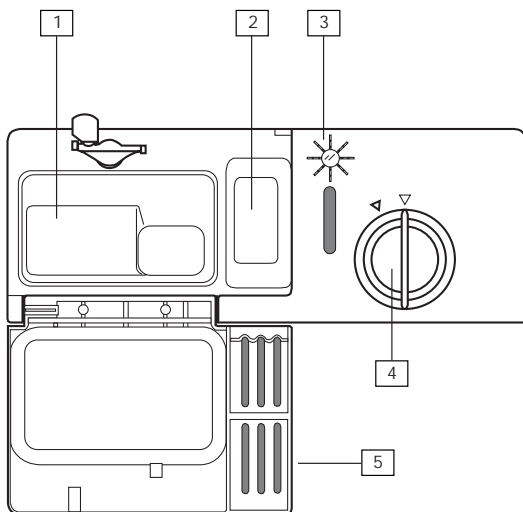
Control panel



- 1. Program selector
- 2. Pots & Pans
- 3. Heavy wash
- 4. Normal wash
- 5. Delicate wash
- 6. Quick wash
- 7. Rinse & Hold
- 8. Start/Stop

- 9. Upper / Lower basket
- 10. High temperature
- 11. Delayed start
- 12. Extra dry
- 13. Express
- 14. Rinse aid indicator
- 15. Salt indicator
- 16. Display window

Dispenser



- 1. Compartment for main wash dishwasher detergent
- 2. Compartment for pre-wash detergent
- 3. Refill indicator rinse aid
- 4. Rinse aid cover
- 5. Detergent compartment cover

Below are step by step instructions to help you achieve the best possible dishwashing results.

1 Load the baskets correctly!

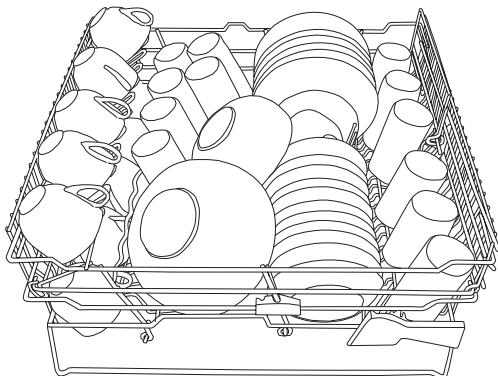
Your dishwasher has a Super Cleaning System™, which means that there is no need to rinse the dishes before washing.

Simply remove large food particles and debris. Convenient and environmentally friendly!

Place glasses, cups, bowls, side plates and dishes in the upper basket, wine glasses should be placed on the shelf with the wavy edge, and knives in the knife stand if present.

NB!

Ensure that all soiled surfaces face inwards or downwards! As depicted.



Place dinner plates, side plates, serving dishes, saucepans and cutlery (in the cutlery basket) in the lower basket. The removable plate insert, which comes with certain models, can be easily removed to provide room for large plates, saucepans and pots, or placed in three alternative positions.

Stand the cutlery with handles downward and as spread out as possible. Ensure that spoons are not resting inside each other.

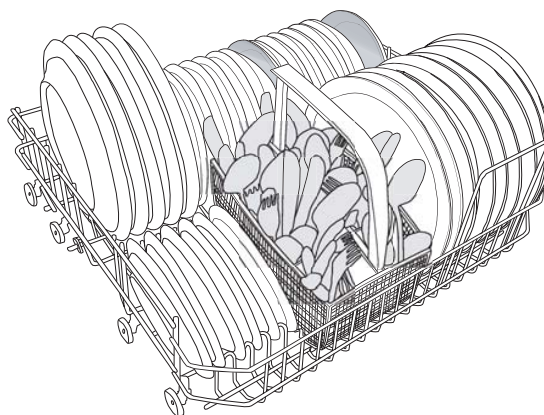
Do not put cutlery made of different materials, e.g. silver and stainless steel, in the same compartment (risk of stains).

The cutlery basket has a folding flap in the middle for small items or narrow shafts, such as electric whisks.

Place long cutlery and carving knives in the special knife basket (if available) or in the upper basket.

Check that the spray arms are able to move freely.

See the section entitled Fragile Items if you want to wash objects that may be fragile.



2 Detergent dosage

Detergent should be dosed in accordance with the water's hardness level.

Follow the dosage instructions on the detergent package. If your machine is fitted with a water softener, dose for soft water.

Pour the dishwasher detergent into the dishwasher detergent compartment. There is one compartment for pre-wash and one for main wash, see Dispenser. Phone the dishwasher detergent manufacturer if you have any questions regarding the detergent.

CAUTION!

Protect your children!



- Dishwasher detergent is corrosive!





NB!

Only use dishwasher detergent

Detergent for washing by hand cannot be used as the build-up of foam impedes the machine's performance.

3 Press the Power main switch and close the door 

4 Select program

Select a program by pressing the program button one or more times until the required program symbol lights up.



Pots & pans

Use this program to wash very heavily soiled dishes, pots and pans. This program uses the highest wash temperature and is consequently the most effective against dirt.



Heavy wash

The Heavy Wash program should be used for heavily soiled dishes, e.g. saucepans, pots and gratin dishes. If there is still space in the machine after loading such items, you can add plates etc.



Normal wash

Used for washing normally soiled dishes such as plates, serving dishes, cups and glasses, etc.



Delicate wash

If the dishes are not heavily soiled, you can select Delicate wash. This program is intended for glass and china which has just been used and therefore does not need such a heavy program.

Fragile dishes

can be washed using the Delicate wash program. See also the chapter on Fragile dishes.



Quick wash

Select Quick Wash if the dishes are very lightly soiled. This program is used for very lightly soiled glass and china, e.g. coffee cups.



Rinse & Hold

For rinsing the dishes while waiting for the machine to be filled.



Rinse & Dry

The Rinse & Dry program comprises one rinse with heat and drying. It is a suitable program if you are planning to make jam and want to rinse and warm previously washed glass jars.

If you wish to use additional options, continue to point 5. Otherwise you can now start the machine, see point 6.

Options

5 Select options

To select an option, press one of the option buttons.

Upper basket/ Lower basket/ Both

By pressing the option button for upper basket/lower basket (see display picture page 10), you can choose to wash only the upper basket, the lower basket or both baskets. The appropriate symbol lights up to show which basket has been selected to be washed. Both symbols will light up when both baskets are to be washed.

High temperature

With the temperature option button you can select the wash temperature. You can vary the temperatures as follows:

Program	Default °C	Option °C
Pots & pans:	60	75
Heavy wash:	55	70
Normal wash:	45	55
Delicate wash:	55	40
Quick wash:	30	55

The temperature symbol will light up if you have chosen the **high** temperature. This selection will remain in force until a change is made.

Tip!

For a more effective washing process, select the option **High temperature** or change to a more intensive program.

Delayed start

• If you want the machine to start up later, press the 'delayed start' option button as many times as required for the number of hours' delay before starting (1-12 h). A clock symbol lights up and the number of

hours until the start appears in the display window.

• The thirteenth time you press the button, the option cuts out, the clock symbol goes out and the display window reverts to showing the expected program time.

• Press the Start/Stop button or make a further selection.

Now the machine will count down the time each hour until the machine starts, and then show the remaining wash time in the display window.

• To cancel Delayed start, hold the Start/Stop button in for 3 seconds.

Extra dry

If you require a better drying result, press the option button Drying selection and a symbol in the form of three wavy lines lights. If you want a program without Extra dry – press it again and the symbol will go out. The fan dries the dishes even if Extra dry was not selected, although not in the Quick Wash program.

Express

By selecting the Express option, the wash time is shortened and the wash temperature is reduced by 10°C. Cannot be used in the Quick wash and Rinse & Hold programs.





6 Press start

The dishwasher will now start. It manages the entire wash automatically. Close the door properly, or the machine will not start.

Changing options

If you want to change program after having started the machine, press the Start/Stop button for three seconds. Then select a new program and press the Start/Stop button.

Do you want to load more dishes?

Open the door; the machine stops automatically, put in the dishes, close the door and the dishwasher will continue from where it left off.

If the machine is switched off with the main switch

(or in the event of a power cut) before the washing program has been completed, the interrupted program will continue when power comes back on.

NB!

If the power is switched off, or if the door is open for more than 2 minutes during drying, the program is interrupted.

7 After dishwashing

Once the machine has finished, it is only drawing standing current. Should you wish to disconnect the current completely, just switch off at the main switch. Turn off the water tap if the machine is not to be used for an extended period, e.g. during holidays.

Advice!

For even quicker drying, allow the door to stand slightly ajar.

Eco-dishwashing

Only wash with a full load

Waiting to run the wash until the machine is full saves energy.

Wash at a lower temperature

If the load is only lightly soiled, you can lower the temperature: in Delicate Wash to 40°C and Quick Wash to 30°C.

Select program without Extra dry

If you select an Pots & Pans/Heavy/Normal or Delicate wash program without Extra dry, that will save energy. You will get a better drying result if you leave the door slightly open after the end of the program.

Do not rinse before dishwashing

Thanks to the dishwasher's Super Cleaning System™ you do not need to rinse the dishes under running water before loading them into the machine.

Choose environmentally-friendly dishwasher detergent

Read environmental declarations on the package!

Connect to cold water supply

If the machine is connected to the cold water, the operating time will be longer, as it takes longer to heat up the water. However, the extended washing time means that it is possible to operate a program with a lower washing temperature and still achieve the same results.

Fragile dishes

A number of household goods are not suitable for machine washing. There can be many reasons for this. Certain materials cannot withstand intense heat, others can be damaged by the dishwasher detergent.

Fragile decoration

China with decoration on top of the glaze (the article has a rough feel) should not be machine washed.

Crystal/ glass

Place the articles so that they do not knock together during the wash. Use the lowest possible wash temperature and the shortest possible program. Do not heat dry! Antique and very fragile items should not be machine washed.

Glass, machine washed at high temperatures, can in time develop a grey film which cannot be removed. Wash fine glass at the lowest temperature and with a low dosage of dishwasher detergent.

Silver

Silver and stainless steel items should not come into contact with each other as the silver can discolour.

Cutlery with glued handles

Certain types of adhesive cannot withstand machine washing. In such cases the handles can come loose.

Wood

Wooden articles should only be machine washed if they are labelled as dishwasher proof.

Aluminium

Aluminium can be dulled by machine washing. However, good quality aluminium saucepans can be machine washed, although a reduction in lustre should be expected.

Plastic

Certain types of plastic cannot withstand the high temperature generated in machine dishwashing.

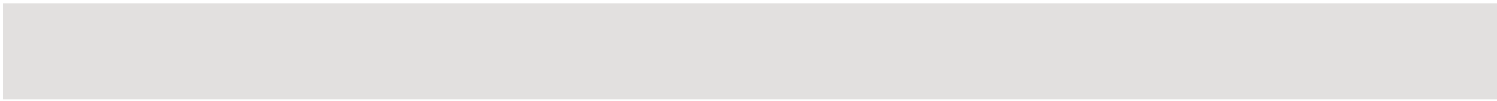
To protect plastic articles

Select low temperature program without Extra dry.

Standard program

Program	Option		Program procedure					Consumption			Time	
	Temp.	Drying	Pre-wash	Main wash °C	Rinses	Final rinse °C	Fan	Energy kWh		Water Litres	Min. (appr.)	
								Cold water (20°C)	Warm water (60°C)		Cold water (20°C)	Warm water (60°C)
Pots & pans	High	Long	2	75	3	70	X	1,9	1,0	18	200	175
Heavy wash	High	Long	2	70	3	70	X	1,7	0,9	18	195	170
Normal wash	High	Normal	-	55	2	45	X	0,8	0,4	13	110	95
Normal wash *	Low	Normal	-	45	2	45	X	0,6	0,3	13	100	85
Upper basket	Low	Normal	-	45	2	45	X	0,6	0,3	10	90	75
Delicate wash	High	Normal	-	55	2	55	X	1,0	0,6	9	105	90
Quick wash	High	Normal	-	55	2	-	-	0,7	0,5	8	85	75
Quick wash	Low	Normal	-	30	2	-	-	0,1	0,1	8	20	15
Rinse & dry	-	Long	-	-	1	55	X	0,5	0,4	3	45	40
Rinse & hold	-	-	-	-	1	-	-	0,01	0,01	3	4	4

* Tested program for Standard AS/NZS 2007.1:2003



This page is empty for printing reasons

Display

When you have selected a program, the display shows the length of time the program took the last time it was used. When you have started the machine, the display window shows an approximate duration.

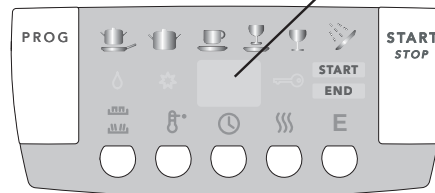
This time can vary a little from one occasion to another depending on the temperature of the incoming water, the amount of dishes, the ambient temperature, etc.

During the time the program is operating, the remaining program time is shown in the window. If the remaining time is over 60 minutes, the total will be shown in hours, followed by “h”, alternating with the number of minutes. Example: 1h-25-1h-25, which means that there is 1 hour and 25 minutes of the program remaining.

NB!

The remaining time display can be slightly misleading during the first run of each program, as the machine is estimating the time. If the program takes longer than estimated, 1 minute will continue to show in the display until the program is finished. For the second running of any program, the machine will calculate based on the previous duration of the program. There is no need to call for service it is merely an indication that the machine is working correctly.

Display window



Cleaning

Cleaning

The dishwasher's inner container is made of stainless steel and is kept clean through normal use. However, if you have calciferous (hard) water, lime deposits can form in the dishwasher. In this case, run a normal wash program with two tablespoons of citric acid in the dishwasher detergent compartment.

Coarse filter

The coarse filter collects large food particles which cannot get past the outflow pump. Lift out and empty the coarse filter as necessary. Don't forget to replace it!

Fine filter

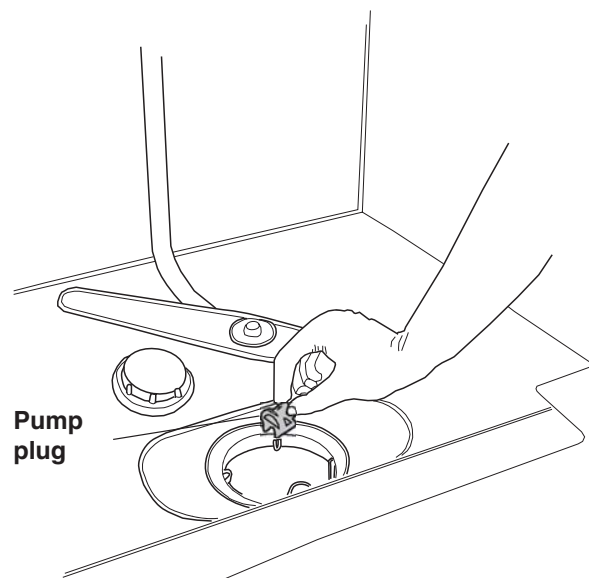
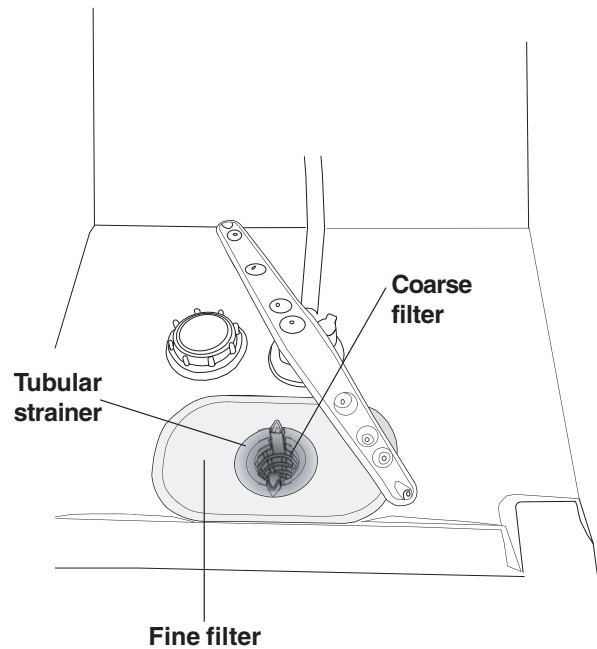
The residue collected on the fine filter is automatically rinsed off with each wash. The fine filter should still be cleaned once or twice a year.

1. Remove the fine filter by first turning the filter's tubular strainer anti-clockwise and then lifting the tubular strainer and the coarse filter straight up.
2. Clean with a dishwashing brush. Ensure that the edges are properly sealed when replacing the fine filter.

Drain pump

The pump can be accessed from the inside of the machine.

1. Always remove the plug from the wall socket before you clean the pump.
2. Remove the coarse screen first by pressing together the two lugs and pulling the screen upwards.
3. Now loosen the tubular part of the screen by turning it anticlockwise and removing the fine screen.
4. Finally remove the small adapter to the left of the bottom drain.
5. It's possible, by inserting your finger in the hole, to turn the pump impeller and remove any blockage.
6. Refit the adapter and screens.
7. Insert the plug in the wall socket.



If you still cannot start the machine and a humming noise can be heard, then the overfilling protection has been activated.

- Shutoff the water
- Remove the plug from the wall socket
- Call Service

CAUTION!



Do not forget to replace the pump plug.

Spray arms

The holes and bearings can occasionally become clogged.

1. Pull the lower spray arm straight up to release it.
2. Scrape away the debris with a needle or similar. The spray arms also have holes on the underside.

To release the upper spray arm, the upper basket must be removed.

3. Pull out the basket and turn the basket stop outwards on both rails (see picture). The basket can now be removed.
4. Remove the upper spray arm in the same way as the lower arm and clean it.

Door

When cleaning the edge around the door, use only a slightly damp cloth, possibly with a little detergent. Do not use a spray bottle or similar around the door catch. This is to ensure that water does not penetrate into the door catch and come into contact with the electrical components.

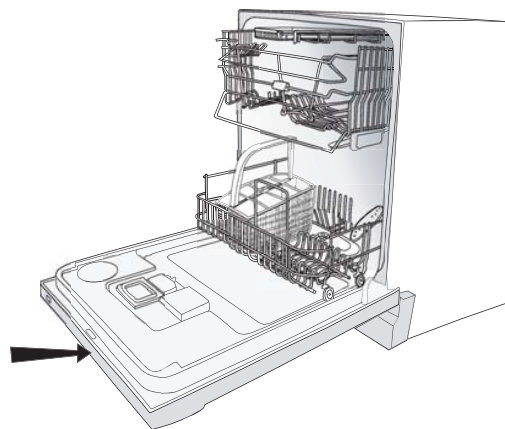
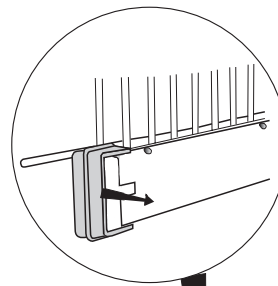
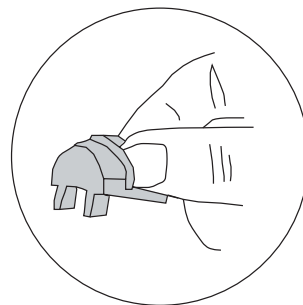
CAUTION!



Do not use a spray bottle or similar around the door catch.

Tip!

In order to prevent bad odours in the dishwasher, clean the strips and corners with a dish brush and low-lather detergent.



Rinse aid

Pour in rinse aid

Rinse aid, helps quicker the drying process. When the rinse aid runs out, the rinse aid symbol lights up on the panel.* Certain machines do not have this function. There is a refill indicator in the middle of the dispenser (see picture). If the refill indicator is totally black, there is sufficient rinse aid. However, if the indicator has a more transparent appearance, you need to top up with rinse aid.

1. Turn and lift up the cover of the rinse aid compartment to the right of the dispenser. This is where you top up and set the amount of rinse aid to be dispensed in each wash.
2. Fill until the indicator is totally black and change the dosage as follows if required. Do not forget to close the cover.

Select dosage

The dispenser is usually set at 1=soft water. However, depending on the water hardness you may need to change the dosage.

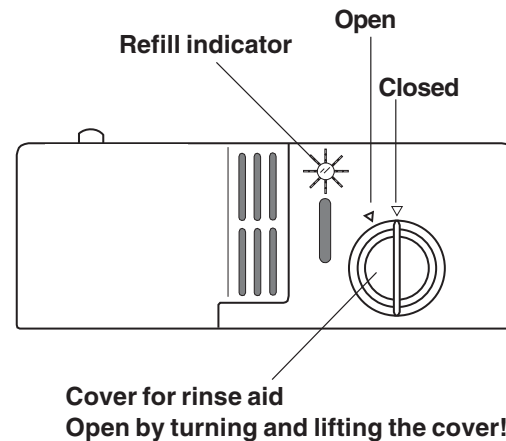
Open the rinse aid cover. Here you will find the dispenser's adjustment dial. Settings 1-6: the harder the water, the higher the dosage. When the water hardness exceeds 10-12 °dH you should use rinse aid with citric acid (acid rinse aid) if the machine does not have a water softening filter. If the machine has a water softening filter, dispense as for soft water.

Too much rinse aid can lead to the build-up of foam. If your water is particularly soft, you can dilute the rinse aid (1 part rinse aid, 1 part water).

Too much rinse aid can cause streaks on the dishes, while too little can result in water stains.



When the rinse aid has run out, the rinse aid symbol on the panel lights up.*



***NB!**

After filling, there may be a short delay before the signal light goes out.

Salt

(applies to dishwashers with water softeners)

Pour in salt

Before using a dishwasher with a water softening filter, you must fill the salt compartment with salt. Use coarse salt or special salt for dishwashers.

It is best to fill with salt when you are about to do a wash, as the dishwasher needs to be rinsed out immediately after filling.

Proceed as follows the first time:

1. First unscrew the cover as illustrated.
2. Place the funnel, which is supplied with the dishwasher, into the compartment's filler hole. First pour in approximately 1 litre of water.
3. Then fill the compartment with max 1.5 kg salt.
4. Wipe away excess salt so that the cover can be properly screwed into place.
5. Run a Normal wash program so that any salt in the machine is rinsed away.

When the salt runs out, the salt symbol on the display* lights up (this function is not available on all machines). Unscrew the cover and fill the compartment with salt. Water is only needed on the first occasion! Wipe clean and screw back in place. Run a Normal wash program so that any salt is rinsed away.

The indicator is not working

If the indicator is not working, this may be because the float, which is positioned under the cover, has become stuck in salt residue. The float can be reached through the green arm located under the cover of the salt compartment.

1. Move the float arm up and down to loosen it.
2. Once the float has been loosened, press it down again.

Models without a salt symbol in the display show green in the salt compartment cover when there is sufficient salt.



*NB!

After filling, there may be a short delay before the signal light goes out.

CAUTION!



Never pour dishwasher detergent into the salt compartment. It will destroy the water softener!

Settings


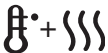
Reprogramming

Some of the machine's functions can be reprogramd. You get into the machine's change program using the machine's ordinary buttons as per the instructions below. The selection will be retained until the next time you reset this function.


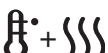
Even if the machine is turned off at the main switch or loses power for any other reason, all selections registered before the interruption of power will be retained.

Child-safe lock on controls

You can prevent a child starting the machine by accident or changing the settings by programming the machine with a button lock, which requires the High temperature and Extra dry buttons to be pressed simultaneously to start up the machine. The button lock will automatically be reactivated after three minutes.

-  1. Switch off the dishwasher with the main switch.
-  2. Hold in the High temperature and Extra dry buttons while pressing the main switch. The High temperature, Extra dry and Start symbols will flash. Release the High temperature and Extra dry buttons.
- PROG** 3. Press the Program button until the display shows **1** with a key symbol alongside it.
- START
STOP** 4. Then press the Start/Stop button to store the setting.

or **Reset:**

-  1. Switch off the dishwasher with the main switch.
-  2. Hold in the High temperature and Extra dry buttons at the same time as pressing the main switch
- PROG** 3. Press the Program button until the display shows **0** and the key symbol disappears.
- START
STOP** 4. Then press the Start/Stop button to confirm the setting.

Super rinse

Super rinse means that two extra rinses will be added at the end of the main dish. Cannot be used in the Quick wash and Rinse & Hold programs.

- ① 1. Switch off the dishwasher with the main switch.
- E+** ① 2. Hold in the Express button while pressing the main switch. The Express button and Start will flash. Release the Express button.
- PROG** 3. Press the Program button until the display shows **1**.
- START**
STOP 4. Then press the Start/Stop button to store the setting.

or **Reset:**

- ① 1. Switch off the dishwasher with the main switch.
- E+** ① 2. Hold in the Express button at the same time as pressing the main switch.
- PROG** 3. Press the Program button until the display shows **0**.
- START**
STOP 4. Then press the Start/Stop button to confirm the setting.





Setting water hardness


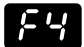



If you have a dishwasher with a water softener, you may need to change the setting, depending on the hardness level of the water. Phone your local Water Board to check the water hardness in your area. The dishwasher is set for low water hardness on delivery.

- ①
- START**
STOP
- PROG**
1. Switch off the dishwasher at the main switch.
 2. Press the main switch while holding in the Start/Stop switch. Release the Start/Stop button.
 3. Press the Program button from one to nine times depending on the hardness of the water. A figure 0 (no water softener and machines with softeners with low hardness), 1, 2, 3, etc. will appear in the display window.

No.	°dH	°fH
0	0-5	0-9
1	6-8	9-14
2	9-11	15-20
3	12-14	21-25
4	15-19	26-34
5	20-24	35-43
6	25-29	44-52
7	30-39	53-70
8	40-49	71-88
9	50+	89+

- START**
STOP
4. Press the Start/Stop button and the setting will be stored until next time you want to make a change.

Fault indications

Display	Type of fault	Action
	Too much water in the machine	Phone service
	Fault with water inlet	Check that the tap is open
	Valve leakage	Shut off the tap and phone for service
	Blocked outflow	See 'Possible causes' in chapter Troubleshooting
	Clogged filter	Clean the filters, see chapter Cleaning

To remove the fault indications from the display, turn off the main switch and then turn it back on again.

Troubleshooting

Problems

The dishes are not clean.

Possible causes

- The spray arms are not rotating.
- Old dishwasher detergent. NB! Detergent is a perishable.
- Incorrect dosage of detergent.
- Insufficiently powerful dishwashing program.
- Incorrect program chosen.
- Incorrect loading of the dishwasher.
- Glasses and cups have tipped over during the wash.
- Dishwasher fitted with water softener is leaking salt.
- Incorrectly set water softener.
- Incorrectly set rinse aid dispenser.
- The salt compartment is empty.
- Phosphate-free detergent in combination with hard water.
- Too high a temperature and/or too much detergent can cause etching on (crystal) glass. Unfortunately this cannot be remedied, only prevented!

Action

- Lift off the arms and clean.
- Avoid large packs.
- Dispense according to the level of water hardness.
- Press the button “HIGH TEMPERATURE” or change to a more intensive program.
- Change to a more intensive program.
- Do not cover china with large bowls or similar.
- Load the china securely.
- Check that the cover of the salt compartment is properly screwed on. Otherwise phone for Service.
- See the chapter on water softeners.
- See the chapter on rinse aid.
- Top up with salt.
- Change detergent.
- Wash (crystal) glass at a low temperature and dispense dishwasher detergent with care. Contact the dishwasher detergent manufacturer.

Stains or a film on the china.

Problems

The china has a whitish-blue sticky film.

Stains on stainless steel or silver.

Stains which remain after dishwashing.

Rattling sound during dishwashing.

The machine will not start.

To restart the machine, press Start/stop for 3 seconds. Now select a new programme and press Start/stop.

Possible causes

- Too high dosage of rinse aid.
- Certain food remnants such as mustard, mayonnaise, lemon, vinegar, salt and dressings can cause stains on stainless steel if allowed to remain for any length of time. All stainless steel can mark silver if allowed to come into contact during the dishwashing process. Aluminium can also cause stains on dishes.
- Lipstick and tea can be difficult to remove.
- The dishes are not properly loaded or the spray arms are not rotating.
- You have forgotten to switch on the main switch.
- The door is not closed properly.
- A fuse has blown.
- The plug is not plugged in.
- The water tap is off.
- Overfilling/leakage
A droning sound (drainage pump) can be heard from the machine, this does not stop when the power is switched off using the main power switch.

Action

- Reduce dosage. See the chapter on rinse aid. If the water is very soft, you could try diluting the rinse aid (1 part rinse aid, 1 part water).
- Rinse off food residue of this type if you do not intend to start the dishwasher immediately.
- Separate your cutlery into the various compartments in the basket. Make sure silver and stainless steel are not together.
- Change to a detergent with bleach.
- Check that the china is loaded securely. Spin the spray arms to make sure that they rotate.
- Check
- Check
- Check
- Check
- Check
- 1. Close the water tap.
2. Pull out the plug.
3. Call a service engineer





Problems

Water remains in the machine.

Possible causes

- Obstruction in the drain hose.
- Kinks in the drain hose.
- The filters are clogged.
- Objects in the drain pump.

Action

- Disconnect the drain hose where it is connected to the sink's water trap. Check that no debris has become stuck. Is the cone-shaped part of the pipe cut so that the diameter is at least 16 mm?
- Check that the hose is free from kinks or sharp bends.
- Clean out the coarse filter, the fine filter and the filter.
- Clean out the drain pump. See the chapter on cleaning

Bad odour in the machine

- Dirt along the strips and in corners

- Clean with a dish brush and low-lather detergent

Performance information

Test dosage

Heavy wash/Normal wash

Main wash 25 gram Standard detergent.

Rinse aid dosage 3.

Energy labelling

Australia:

AS/NZS 2007

Dishwasher program:

Normal wash, 45°C normal dry

Program time:

100 minutes.

Connection:

Cold water

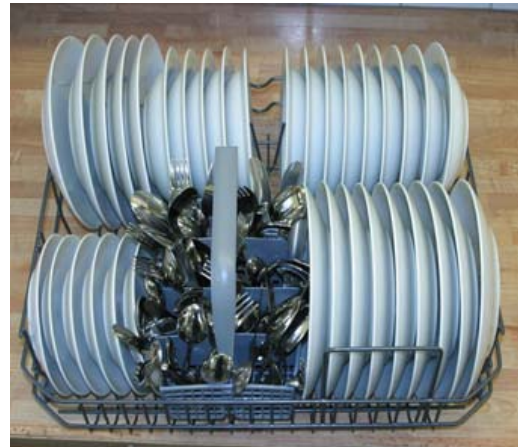
Test method noise measurement:

IEC-704-3

Example of dishwasher loading



AS/NZS 2007.1:2003



AS/NZS 2007.1:2003

Technical information

Height:

820-870 mm

Width:

596 mm

Weight:

48 kg*

51 kg with water softener*

Capacity:

14 IEC place settings

Water pressure:

0.03-1.0 MPa

0.3-10 kp/cm² (Bar)

3-100 N/cm²

Connection:

See type plate

Output:

See type plate

*The weight can vary due to varying specifications.

Installation

Suggestions for positioning the dishwasher

The dishwasher can be built in, fully free-standing or semi-free-standing.

CAUTION!



Connection to electricity, water and drainage must be carried out by a suitably qualified person.

A. Built-in

The dishwasher can be built in under a worktop with a working height of 820 - 870 mm. The width measurement must be at least 600 mm. For additional measurements, see picture.

B. Freestanding

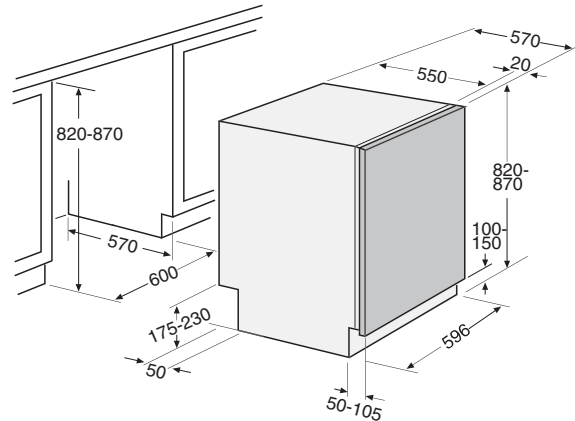
A freestanding dishwasher must be fitted with anti-tilt. This comprises two fastening irons which are screwed into place as illustrated.

The dishwasher is then pushed in so that the fastening irons grip onto the rear feet. The dishwasher cannot now tilt in the event a load is placed on the open door. If the dishwasher is to be fully freestanding, both side panels and the work top should be fitted. These accessories can be purchased where you purchased the dishwasher.

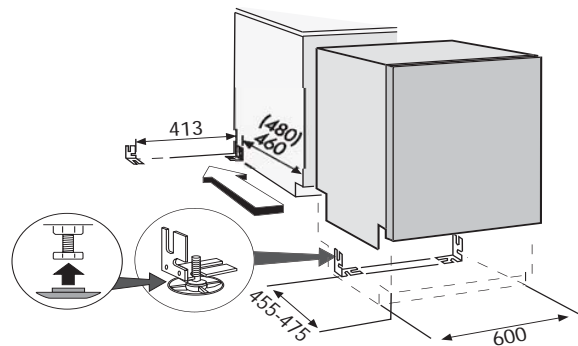
C. Semi-free-standing

If the dishwasher is positioned so that either side is visible, a side panel can be fitted. These accessories can be purchased where you purchased the dishwasher.

Built-in installation



Freestanding installation



CAUTION!



A fully freestanding dishwasher must be fitted with anti-tilt.

Connection to water

There must be a shut-off tap on the water supply pipe. The shut-off tap should be positioned above the work surface or at the front of the sink unit.

The water supply pipe has a connection with a 1/2" or 3/4" internal thread depending on country.

When the installation is complete, the shut-off tap should be opened to allow the pressure to settle for a while and to check that all connections are tight.

NB!

It is recommended that connection should be to cold water.

Connection to electricity

A dishwasher fitted with a lead and plug must be connected to an earthed socket. Repairs and maintenance relating to safety or performance must be carried out by a qualified professional.

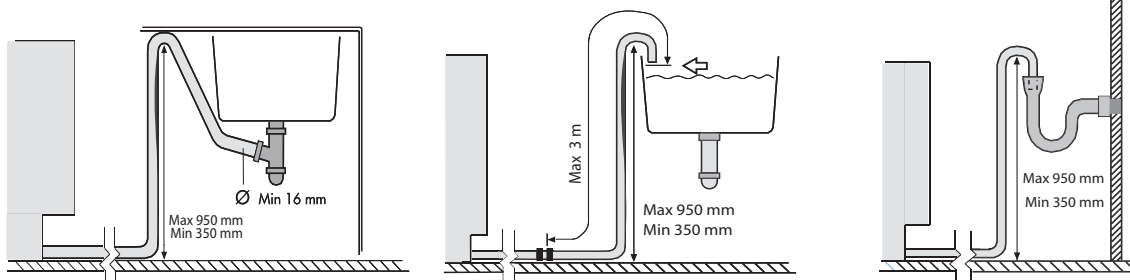
Technical data

See the type plate on the right hand side of the door.

Connection to drainage

NB!

The hose must be fastened level with the underside of the work surface.



CAUTION!



The lead must be disconnected or the socket voltage-free while the work is carried out!

Connection to drainage

The drain hose is routed to a connection nipple at the sink's water trap, as illustrated below. Note that the hose must be fastened level with the underside of the sink unit – otherwise the dishwater from the sink will run down into the dishwasher, as illustrated.

The drain hose is threaded onto a cone-shaped connecting pipe at the sink unit's water trap. The cone-shaped pipe must be cut to an internal diameter of at least 16 mm.

The drain hose may be lengthened by a maximum of 3 m. Any connections and connecting pipes must have an internal diameter of at least 16 mm.

No part of the drain hose may be more than 950 mm above the floor.

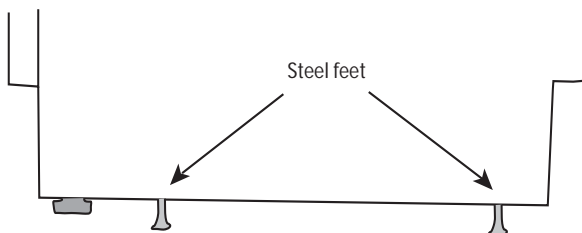
The hose must not be routed directly to the floor drain or similar. In such cases, the hose can act as a siphon and empty the dishwasher.

The hose must always discharge at least 350 mm above the floor.

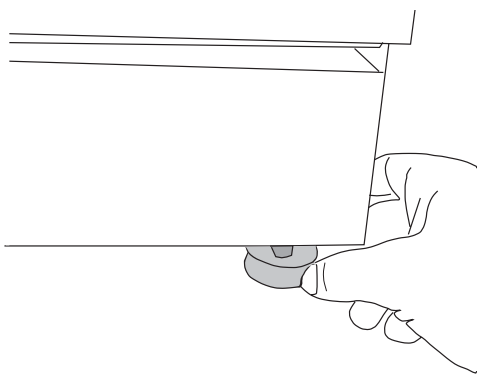
Positioning the machine

A. Adjusting machines with 6 feet (freestanding dishwasher)

1. Adjust the height of the dishwasher with the four steel feet.
2. Lock the feet with the nuts.
NB! The dishwasher must not be allowed to lean more than 5 mm.

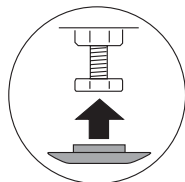


3. After the steel feet have been adjusted, screw down the two rubber feet tightly against the floor.
The rubber feet now work as anti-tilt protection.



B. Adjusting machines with three or four feet

1. Start by measuring the height from the floor to the underside of the work top of the kitchen bench.
2. Install the sliding feet on the dishwasher.

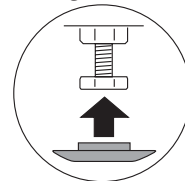


3. Measure the height from the floor to the top edge of the dishwasher.
4. Adjust all the feet by screwing them clockwise to raise or anti-clockwise to lower.

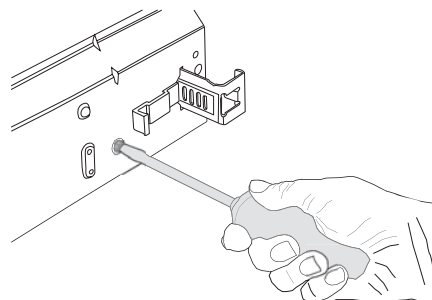
5. Check that the height of the machine corresponds to the height from the floor to the underside of the work surface. Tighten the locking nuts (locking nut) on the rear feet.
6. Push the dishwasher into place.
7. Finely adjust the front feet (the machine may lean max. 5 mm) and tighten the locking nuts.

C. Adjusting dishwashers with adjustable foot

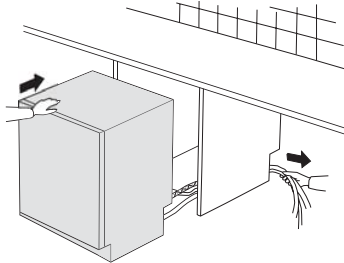
1. Start by measuring the height from the floor to the underside of the work surface.
2. Install the sliding feet on the dishwasher.



3. Measure the height from the floor to the top edge of the dishwasher.
4. Tilt the dishwasher forward a fraction and roughly adjust the rear foot by screwing the set screw at the front clockwise to raise or anti-clockwise to lower (illustrated below). Use a broad screwdriver or a hexagonal head screwdriver.
5. Adjust the front feet by turning them clockwise to raise or anti-clockwise to lower.
6. Check that the height of the machine corresponds to the height from the floor to the underside of the work surface.
7. Push the dishwasher into place.
8. Finely adjust the feet (the machine may lean max. 5 mm) and tighten the locking nuts on the front feet.



To prevent kinks, pull the drain hose and the connecting pipe.



Adjusting the plinth (Only with kick-plate as accessory)

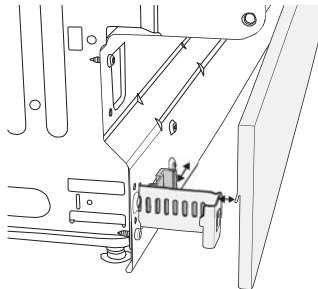
The dishwasher has two kick-plates (some models).

The taller one should be used if the machine is to be 850 - 870 mm high and the plinth depth can be varied between 45 - 105 mm. The lower one is to be used if the machine will be 820 - 845 mm with a plinth depth of between 50 - 105 mm.

Attach the enclosed felt insulation to the kick-plate (some models).

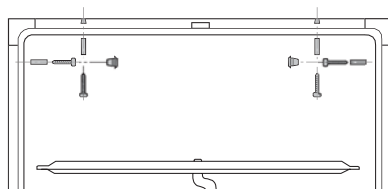
Set the correct plinth depth as follows:

1. Slide the grey catches towards each other and pull out the holders as far as required. Slide in the catches so that they lock the brackets in place.
2. Hang the kick-plate onto the holders by inserting it into the grooves.

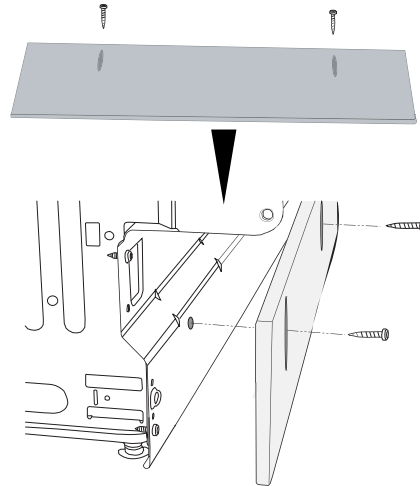


Screw the dishwasher into place

If the machine is to be screwed in at the sides, the enclosed plastic plugs are used for covering the screw holes. After fixing check that the front feet are in contact with the floor.



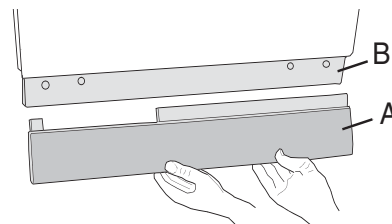
Fitting fixed kick-plate



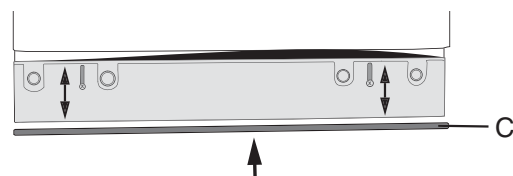
Fitting strip seal (to the floorplinth's covering plate)

Proceed as follows:

1. Remove the plastic plinth by gripping with both hands under the plastic plinth (A), and break outwards and upwards.



2. Undo the two screws on the covering plate (B).
3. Glue the accompanying rubber strip (C) to the underside of the covering plate (against the floor).
4. Screw the covering plate back into place. Adjust the covering plate so that the rubber strip is just in contact with the floor.



5. Replace the plastic plinth





Setting water hardness

If you have a dishwasher with a water softener, you may need to change the setting, depending on the hardness level of the water. Phone your local Water Board to check the water hardness in your area. The dishwasher is set for low water hardness on delivery.

- ① 1. Switch off the dishwasher at the main switch.
- START**
STOP 2. Press the main switch while holding in the Start/Stop switch. Release the Start/Stop button.
- PROG** 3. Press the Program button from one to nine times depending on the hardness of the water. A figure 0 (no water softener and machines with softeners with low hardness), 1, 2, 3, etc. will appear in the display window.

No.	°dH	°fH
0	0-5	0-9
1	6-8	9-14
2	9-11	15-20
3	12-14	21-25
4	15-19	26-34
5	20-24	35-43
6	25-29	44-52
7	30-39	53-70
8	40-49	71-88
9	50+	89+

- START**
STOP 4. Press the Start/Stop button and the setting will be stored until next time you want to make a change.

Service & guarantee

Service

Before calling for service, check to see whether the faults are due to something that you can put rectify. See Trouble shooting pages **28-30**.

Guarantee

For guarantee details, see the guarantee card.

Search words

A

Advice! 7, 14
After dishwashing 14

C

Child safe 3, 5, 7, 24
Child safety lock 7
Citric acid 20, 22
Cleaning 6, 20, 21, 29
Connection 8, 17, 30, 31, 32
Control panel 10, 22
Crystal 5, 16, 27
Cutlery basket 9

D

Delicate wash 10, 12, 13, 15
Dishwasher detergent 6, 7, 11, 23
Display 23, 26
Door 5, 6, 7, 28, 40
Drainage 20, 34

E

Environment 11, 15, 40

F

Fault indications 26

H

Hardness level 3, 5, 11, 22, 25, 27, 35
Heavy wash 10, 12, 13, 30

I

Installation 5, 6, 31, 32

K

Knife basket 8

L

Loading baskets 11, 40
Lower basket 8, 9, 11, 13

M

Main switch 7, 8, 12, 14, 25, 26, 28, 35, 40

N

Normal wash 10, 12, 13, 20, 23, 30

O

Option 13

P

Plastic 5, 7, 16, 34
Plinth 34
Pots & pans 7, 10, 12, 13, 24

Q

Quick wash 10, 12, 13

R

Recycling 6
Rinse aid 10, 22, 23, 27, 30
Rinse & Hold 10, 12

S

Salt 5, 22, 23, 27, 28
Select Program 12, 15, 16, 40
Service 6, 26, 27, 36
Service & Guarantee 36
Settings 5, 24
Spray arms 11, 21, 27, 28, 40
Stains 11, 22, 27, 28
Standard program 17, 18

T

Temperature 10, 12, 13, 15, 16, 17, 18, 19, 24, 27
Time display 19
Transport 6

U

Upper basket 8, 9, 11, 13, 21

W

Washing fragile items 12
Water 5, 8, 14, 17, 18, 20, 25, 27, 28, 30, 32, 35
Winter storage 3, 6

1. Loading baskets

Remove large food particles and debris. There is **no** need to rinse thanks to the Super Cleaning System™.

2. Dispensing dishwasher detergent

The detergent compartment has a small compartment for pre-wash and one for main wash.

3. Ensure that the spray arms can rotate freely

4. Turn on the main switch

5. Close the door

6. Select program and press start

Mini Program Guide

Program	Option		Program procedure				
	Temp.	Drying	Pre-wash	Main wash °C	Rinses	Final rinse °C	Fan
Pots & pans	High	Long	2	75	3	70	X
Heavy wash	High	Long	2	70	3	70	X
Normal wash	High	Normal	-	55	2	45	X
Normal wash *	Low	Normal	-	45	2	45	X
Upper basket	Low	Normal	-	45	2	45	X
Delicate wash	High	Normal	-	55	2	55	X
Quick wash	High	Normal	-	55	2	-	-
Quick wash	Low	Normal	-	30	2	-	-
Rinse & dry	-	Low	-	-	1	55	X
Rinse & hold	-	-	-	-	1	-	-

* Tested program for Standard AS/NZS 2007.1:2003

Art. No: 80 752 59 Rev. 03 • We reserve the right to make changes. Disclaimer! Not all models contain all the features listed in this manual.

Printed on environmentally-friendly paper which meets the demands of Friends of the Earth and the Swedish Society for Nature Conservation.

