

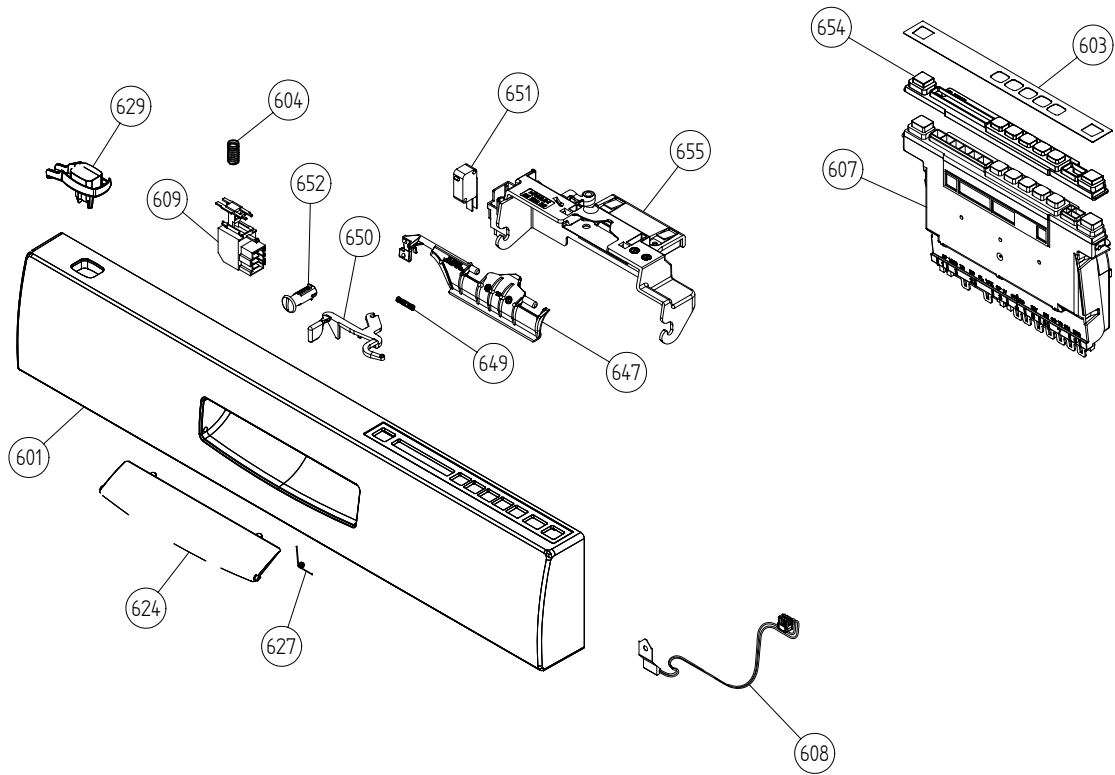
## Spare Parts Catalogue

Dishwashers \ 3000 Series  
Type: DW20.3US  
Model: D3450 US SS Bi

Prod. No: 107345001  
November 16th 2004

**AM Appliances Group**

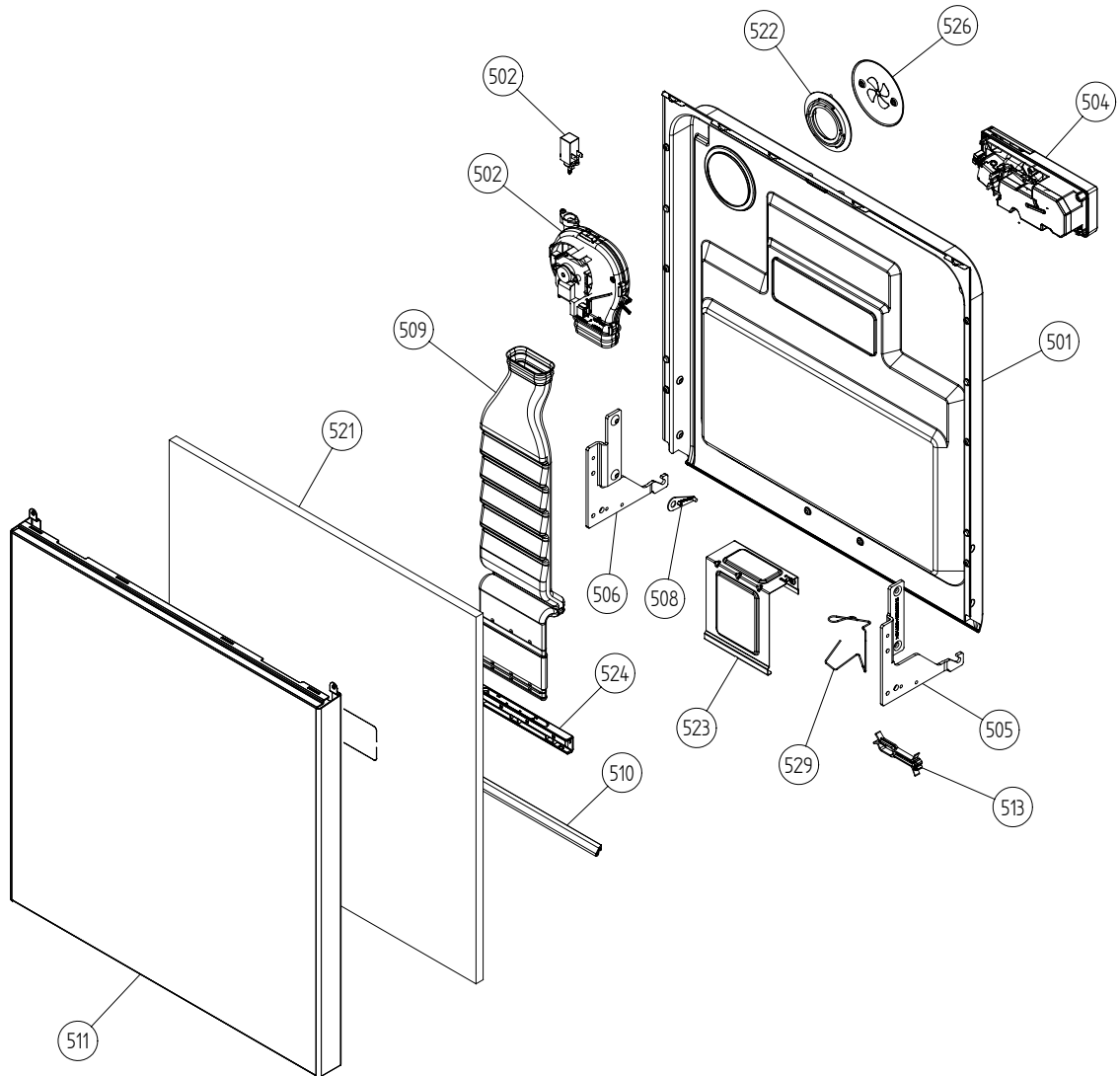
P.O. Box 851805 • Richardson • TX 75085-1805  
789 N. Grove Road • Suite 103 • Richardson • TX 75081



## Control panel and related parts

### ASKO, D3450 US - SS Bi (DW20.3US)

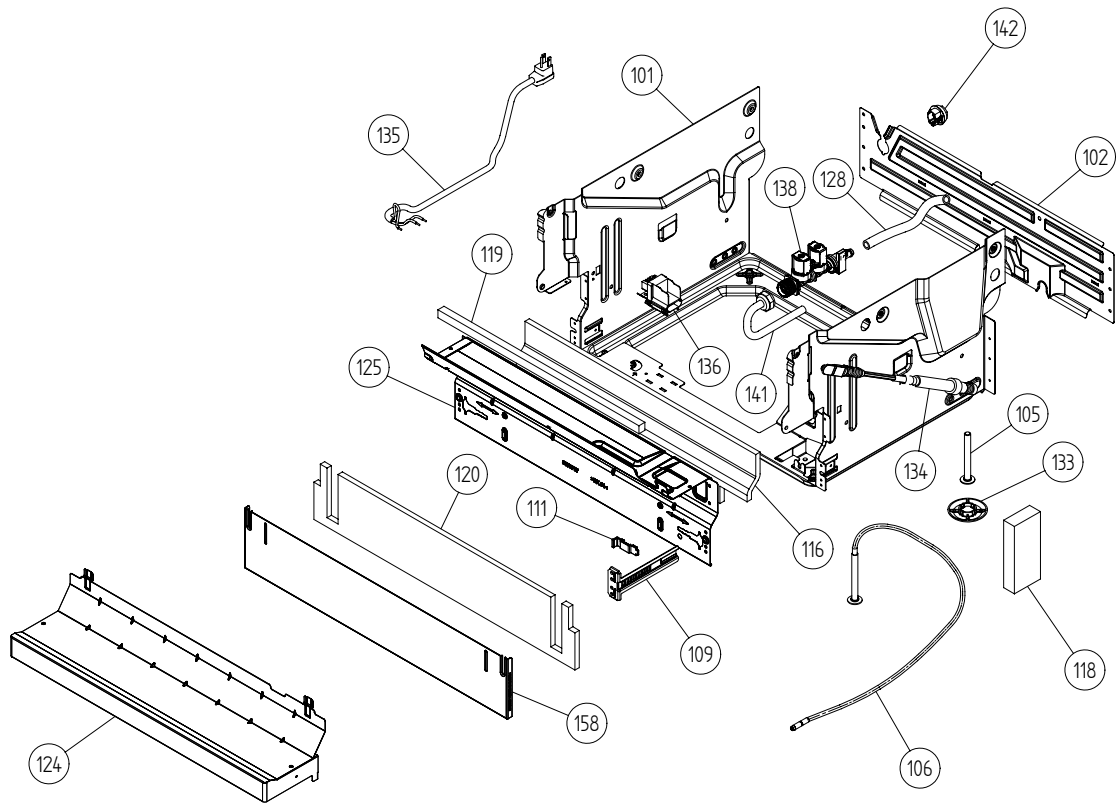
| Pos   | Spare part No. | Description                    | Qty   | Comment |
|-------|----------------|--------------------------------|-------|---------|
| 601   | 8075769-81-UL  | PANEL ASKO 3450(345T) GRAP UL4 | 1 Pcs |         |
| 602   | 8075345        | PROG INFO LABEL ASKO 345T/F FR | 1 Pcs |         |
| 602   | 8075303        | PROG INFO LABEL ASKO 345T/F US | 1 Pcs |         |
| 602   | 8075305        | PROG INFO LABEL ASKO 345T/F ES | 1 Pcs |         |
| 603   | 8074993        | DECOR PLATE ASKO 345T/FI GRAP  | 1 Pcs |         |
| 604   | 8074277        | SPRING MAIN SWITCH             | 1 Pcs |         |
| 607   | 8801230        | CONTROLUNIT COMPL DW203 USA    | 1 Pcs |         |
| 608   | 8073788        | THERMISTOR UL4                 | 1 Pcs |         |
| 609   | 8073782        | MAIN PUSH SWITCH               | 1 Pcs |         |
| 611   | 8073897        | CABLESET DIVERTER VALVE        | 1 Pcs |         |
| 614   | 8073888        | CABLE SET Repl.by 8075736      | 1 Pcs |         |
| 616   | 8073887        | CABLE SET FLOW & PRESSURE      | 1 Pcs |         |
| 618   | 8073890        | CABLESET Repl.by 8075738       | 1 Pcs |         |
| 620   | 8073882        | CABLE SET Repl.by 8075730      | 1 Pcs |         |
| 622   | 8073883        | CABLE SET DRAIN                | 1 Pcs |         |
| 624   | 8073470-81     | COVER FOR HANDLE METAL GREY    | 1 Pcs |         |
| 627   | 8074464        | SPRING FOR LID HANDLE          | 1 Pcs |         |
| 629   | 8075078-81     | PUSHBUTTON MAINSWITCH GRAPHIC  | 1 Pcs |         |
| 647   | 8072906        | CATCH HANDLE UL4               | 1 Pcs |         |
| 649   | 8075790        | SPRING DOORLOCK HANDLE         | 1 Pcs |         |
| 649   | 8072908        | SPRING LOCK                    | 1 Pcs |         |
| 650   | 8072907        | CONTROL ARM SAFETY CATCH UL4   | 1 Pcs |         |
| 651   | 8073836        | MICROSWITCH DOOR               | 1 Pcs |         |
| 652   | 8057545        | ROTARY CATCH DW95              | 1 Pcs |         |
| 654   | 8075719-81     | PUSHBUTTONS ASKO 345 T/FI      | 1 Pcs |         |
| 655   | 8072905        | PROTECTIONS CATCH UL4          | 1 Pcs |         |
| 655-a | 8902085        | SCREW PT KB40X10 WN1442 RFS    | 2 Pcs |         |
| 690   | 8075913        | INSTRUCTIONS D3450-345T US ENG | 1 Pcs |         |
| 690   | 8075914        | INSTRUCTIONS D3450-345T USA FR | 1 Pcs |         |
| 690   | 8075915        | INSTRUCTIONS D3450-345T USA ES | 1 Pcs |         |



## ***Inner door, panel and related parts***

**ASKO, D3450 US - SS Bi (DW20.3US)**

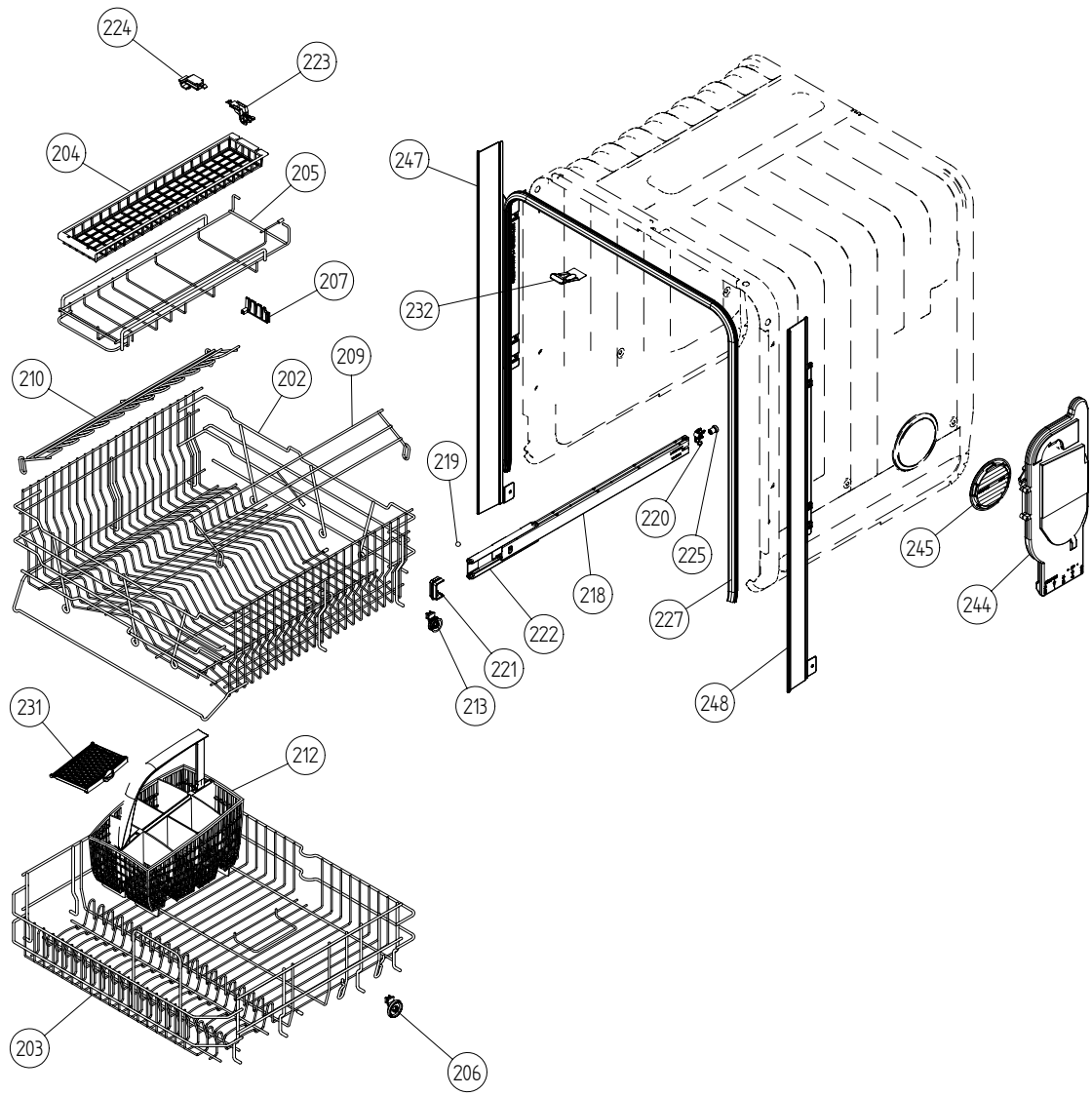
| <b>Pos</b> | <b>Spare part No.</b> | <b>Description</b>             | <b>Qty</b> | <b>Comment</b> |
|------------|-----------------------|--------------------------------|------------|----------------|
| 501        | 8801244               | DOOR INNER WINSUL FAN          | 1 Pcs      |                |
| 501-a      | 8900646               | SCREW A4 RTS 42X13 T20 SORT    | 6 Pcs      |                |
| 501-b      | 8902121               | SCREW A2-MKFT 5X10             | 4 Pcs      |                |
| 502        | 8073851               | FAN COMPL 120V                 | 1 Pcs      |                |
| 502-a      | 8058501               | O-RING 83X3 NBR 70 UL4         | 1 Pcs      |                |
| 502-b      | 8052778               | WAXMOTOR 10033214              | 1 Pcs      |                |
| 504        | 8073803               | COMBIDISP REED REAY 120V UL4   | 1 Pcs      |                |
| 504-a      | 8071916               | SEALDETCOMPLID                 | 1 Pcs      |                |
| 504-b      | 8071917               | CAP RINSE AGENT                | 1 Pcs      |                |
| 504-c      | 8071918               | LIDINCLSEAL AND SPRING         | 1 Pcs      |                |
| 504-d      | 8072288               | SEALING STRIP COMBIDISP        | 1 Pcs      |                |
| 504-e      | 8075778               | BRACKET COMBI DISPENSER        | 2 Pcs      |                |
| 504-f      | 8902087               | SCREW PTK 40X14 WN1452 FZB T20 | 6 Pcs      |                |
| 505        | 8057524               | HINGE RIGHT PAINTED DW95       | 1 Pcs      |                |
| 505-a      | 8057530               | HINGE SCREW DW95               | 1 Pcs      |                |
| 505-b      | 33500262              | NUT M4 (LOC-KING) 4 DIN 985    | 1 Pcs      |                |
| 506        | 8057525               | HINGE LEFT PAINTED DW95        | 1 Pcs      |                |
| 506-a      | 8057530               | HINGE SCREW DW95               | 1 Pcs      |                |
| 506-b      | 33500262              | NUT M4 (LOC-KING) 4 DIN 985    | 1 Pcs      |                |
| 507        | 8057530               | HINGE SCREW DW95               | 2 Pcs      |                |
| 507-a      | 33500262              | NUT M4 (LOC-KING) 4 DIN 985    | 2 Pcs      |                |
| 508        | 8057948               | SLIDE WASHER HINGE BEARINGDW95 | 2 Pcs      |                |
| 509        | 8057963               | AIR CANNEL DW95                | 1 Pcs      |                |
| 510        | 8057949               | DOOR SEAL Replby 8060254       | 1 Pcs      |                |
| 510        | 8060254               | DOOR SEAL LOWER CUTTING 555    | 1 Pcs      |                |
| 511        | 8071106-95            | DOOR OUTER THICK STAINL        | 1 Pcs      |                |
| 511-a      | 8900646               | SCREW A4 RTS 42X13 T20 SORT    | 6 Pcs      |                |
| 513        | 8074015               | CABLE BRACKET DOOR             | 1 Pcs      |                |
| 521        | 8071240               | SOUND ABSORBTION OUTERDOOR     | 1 Pcs      |                |
| 522        | 8057964               | LOCK RING FAN CASING UL4       | 1 Pcs      |                |
| 522-a      | 8902085               | SCREW PT KB40X10 WN1442 RFS    | 2 Pcs      |                |
| 523        | 8057984               | BRACE STAND DW95               | 1 Pcs      |                |
| 523-a      | 8900646               | SCREW A4 RTS 42X13 T20 SORT    | 2 Pcs      |                |
| 523-b      | 8902357               | SCREW RTS 42X13 FZB T20 SORT   | 2 Pcs      |                |
| 524        | 8072729-33            | AIR PIPE /2                    | 1 Pcs      |                |
| 526        | 8058484               | COVER PLATE FAN WITH SYMBOL    | 1 Pcs      |                |
| 526-a      | 8902085               | SCREW PT KB40X10 WN1442 RFS    | 2 Pcs      |                |
| 529        | 8073612               | BRACKET FOR HARNESS            | 1 Pcs      |                |



## Base and related parts

### ASKO, D3450 US - SS Bi (DW20.3US)

| Pos   | Spare part No. | Description                    | Qty   | Comment |
|-------|----------------|--------------------------------|-------|---------|
| 101   | 8074450        | BOTTEM OUTER DW20              | 1 Pcs |         |
| 101-a | 8901104        | SCREW M4x8 A4 MRT VAXED T20    | 2 Pcs |         |
| 101-b | 8901110        | SCREW O-RING A2-M6X12 T30      | 4 Pcs |         |
| 102   | 8073880        | REAR PANEL                     | 1 Pcs |         |
| 102-a | 8902357        | SCREW RTS 42X13 FZB T20 SORT   | 5 Pcs |         |
| 103   | 8074268        | SOUND ABSORBTION REARPANEL     | 1 Pcs |         |
| 105   | 8074877        | FOOT M10x95 T30 88 FZB         | 2 Pcs |         |
| 106   | 8073647        | FOOT ADJUSTABLE FROM FRONT CPL | 1 Pcs |         |
| 109   | 8057549        | BRACKET KICKING PLATE DW95     | 2 Pcs |         |
| 111   | 8073481-49     | SPRING KICKING PLATE L-GREY    | 2 Pcs |         |
| 116   | 8058353        | SOUND ABSORBENT GUARD PLATE    | 1 Pcs |         |
| 118   | 8060038        | SOUND ABBLOCK BOTTOM OUTER     | 2 Pcs |         |
| 119   | 8074260        | SOUND ABSORBTION PROFILE       | 1 Pcs |         |
| 120   | 8070743        | SOUND ABSORP TOE KICK USA      | 1 Pcs |         |
| 124   | 8074293-95     | LOWER COVER LOW STAINLESS      | 1 Pcs |         |
| 125   | 8073707        | GUARD PLATE                    | 1 Pcs |         |
| 125-a | 8902357        | SCREW RTS 42X13 FZB T20 SORT   | 4 Pcs |         |
| 128   | 8075636        | RUBBER HOSE 10X15X195          | 1 Pcs |         |
| 128-a | 8052189        | HOSE CLIP RFZ 170-706R         | 2 Pcs |         |
| 133   | 8051957        | SLIDE FOOT DM-14               | 3 Pcs |         |
| 134   | 8058491-77     | DOORSRING COMPL GREY           | 2 Pcs |         |
| 135   | 8073774        | CORD SET AMERICA               | 1 Pcs |         |
| 136   | 8073781        | FILTER WITH SCREWPLINT         | 1 Pcs |         |
| 136-a | 8902131        | SCREW MRT-TT 4X6 FZB T20       | 1 Pcs |         |
| 138   | 8073827        | INLVALVE SECURITY 120V SENSOR  | 1 Pcs |         |
| 138-a | 8052189        | HOSE CLIP RFZ 170-706R         | 1 Pcs |         |
| 141   | 8073879        | CONNECTIONS PIPE 3/8-3/4       | 1 Pcs |         |
| 142   | 8006948        | GROMMET Z13                    | 1 Pcs |         |
| 154   | 33055088       | RUBBER HOSE 10X15 UL4          | 1 Pcs |         |
| 154-a | 8052189        | HOSE CLIP RFZ 170-706R         | 2 Pcs |         |
| 158   | 8059758-81     | KICKPLATE USA GREY             | 1 Pcs |         |

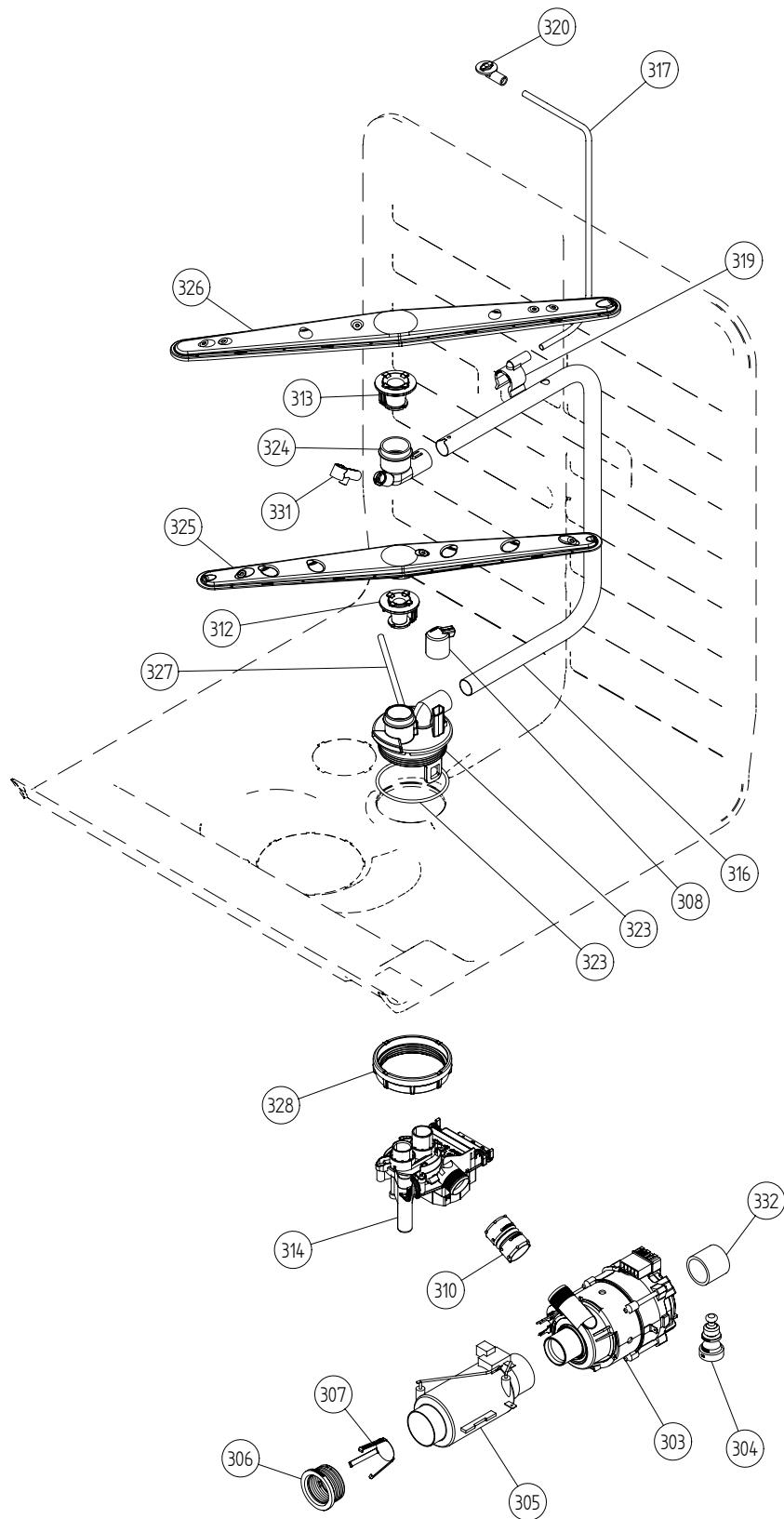




## Baskets and related parts

### ASKO, D3450 US - SS Bi (DW20.3US)

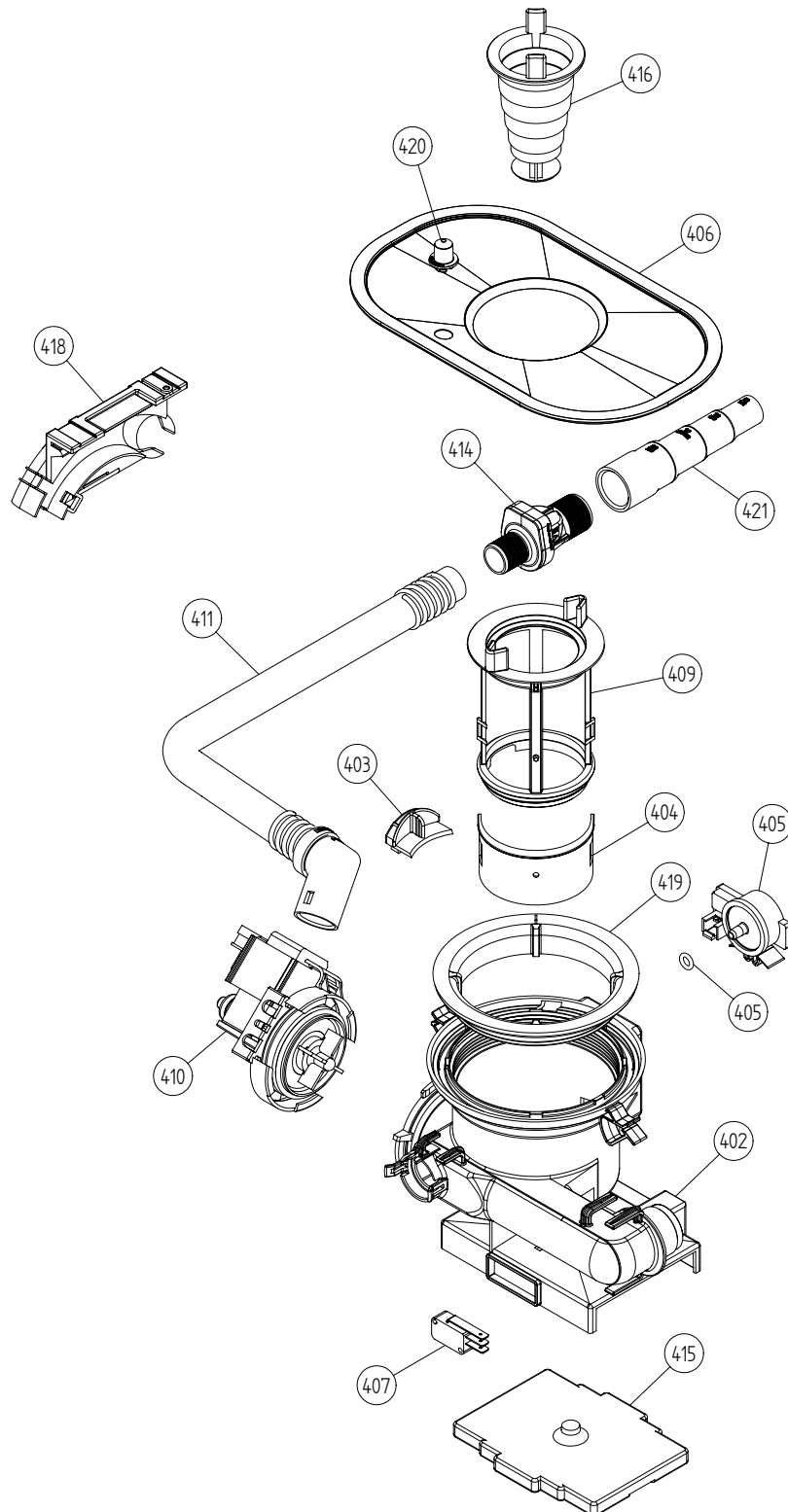
| Pos   | Spare part No. | Description                   | Qty   | Comment          |
|-------|----------------|-------------------------------|-------|------------------|
| 201   | 8057056        | -                             | 1 Pcs | Not a spare part |
| 202   | 8801236-36     | UPPER BASKET EXCL CPL DGREY   | 1 Pcs |                  |
| 203   | 8801237-36     | LOWER BASKET EXCL CPL LGREY   | 1 Pcs |                  |
| 204   | 8053376-77     | CUTLERY BASKET UPPER GREY     | 1 Pcs |                  |
| 205   | 8057058-36     | BASKET KNIFE BOX D-GREY DW95  | 1 Pcs |                  |
| 206   | 8009516-77     | BASKET WHEEL COMPL GREY       | 8 Pcs |                  |
| 207   | 8057505-77     | KNIFE STAND GREY DW95         | 1 Pcs |                  |
| 209   | 8071336-36     | CUP SHELF DGREY ADJUSTABLE    | 1 Pcs |                  |
| 210   | 8071337-36     | CUP SHELF WINE GLASS MGR ADJ  | 1 Pcs |                  |
| 212   | 8801239-77     | CUTLERY BASKET INCL DOOR      | 1 Pcs |                  |
| 213   | 8058498-77     | BASKET WHEEL COMPL GREY DW95  | 4 Pcs |                  |
| 218   | 8057052        | GUIDE RAIL                    | 2 Pcs |                  |
| 219   | 8057977        | BALL DIAM 8 DW95              | 8 Pcs |                  |
| 220   | 8057978-77     | BALLCATCH GREY COMPL          | 2 Pcs |                  |
| 221   | 8057979-77     | BASKET STOP GREY              | 2 Pcs |                  |
| 222   | 8058638-77     | BALL DISTANCE RING GUIDE RAIL | 2 Pcs |                  |
| 223   | 8057502        | SLIDING BRACKET 1 DW95        | 1 Pcs |                  |
| 224   | 8058453        | GLIDEMOUNT 2 DW95             | 1 Pcs |                  |
| 225   | 8071247        | RUBBER BUFReplby 8057978-77   | 2 Pcs |                  |
| 227   | 8057489        | DOOR STRIP UL4                | 1 Pcs |                  |
| 230   | 8071257        | EDGE GUARD L=420 MM           | 1 Pcs |                  |
| 231   | 8072986-77     | DOOR CUTLERYBASKET UL4        | 1 Pcs |                  |
| 232   | 8801240        | LOCK CATCH INCL SCREW&NUT     | 1 Pcs |                  |
| 244   | 8057514        | AIRBREAK STD W O-RING UL4     | 1 Pcs |                  |
| 244-a | 8052189        | HOSE CLIP RFZ 170-706R        | 1 Pcs |                  |
| 245   | 8057536-77     | LOCKRING AIRBREAK GREY        | 1 Pcs |                  |
| 247   | 8074342-95     | TRIM STRIP LEFT USA SS        | 1 Pcs |                  |
| 247-a | 8900646        | SCREW A4 RTS 42X13 T20 SORT   | 2 Pcs |                  |
| 248   | 8074343-95     | TRIM STRIP RIGHT USA SS       | 1 Pcs |                  |
| 248-a | 8900646        | SCREW A4 RTS 42X13 T20 SORT   | 2 Pcs |                  |



## Wash system

### ASKO, D3450 US - SS Bi (DW20.3US)

| Pos   | Spare part No. | Description                    | Qty   | Comment                              |
|-------|----------------|--------------------------------|-------|--------------------------------------|
| 301   | 8072108        | -                              | 1 Pcs | Not to be ordered                    |
| 303   | 8073813        | CIRCPUMP 120V 60HZ UL4         | 1 Pcs |                                      |
| 304   | 8075130        | RUBBER DAMPER CIRCPUMP UL4     | 1 Pcs |                                      |
| 305   | 8073785        | HEATING ELEMENT 1200W 120V     | 1 Pcs |                                      |
| 306   | 8073702        | ELEMENT TRANSMUTATION UL4      | 2 Pcs |                                      |
| 307   | 8075070        | INSERT FOR HEATER              | 1 Pcs |                                      |
| 308   | 8073385-77     | CUP DRAINAGE GREY              | 1 Pcs |                                      |
| 310   | 8072888        | HOSE CIRKPUMP UL4              | 1 Pcs |                                      |
| 310-a | 8056491        | HOSE CLIP 301-708              | 2 Pcs |                                      |
| 312   | 8072728-77     | SPRAY ARM BEARING L GREY UL4   | 1 Pcs |                                      |
| 313   | 8072731-77     | SPRAYARM BEARING UPPER UL4     | 1 Pcs |                                      |
| 314   | 8073822        | WATER DIV VALVE 120V 60HZ UL4  | 1 Pcs |                                      |
| 314-a | 8073003        | O-RING 200X375 NRB70 UL4       | 2 Pcs |                                      |
| 316   | 8073387-D      | SPRAY PIPE                     | 1 Pcs |                                      |
| 317   | 8073394        | SPRAY PIPE KNIFE SPRAYER UPPER | 1 Pcs |                                      |
| 319   | 8057504-77     | SPRAY PIPE GROMMET LOWER GREY  | 1 Pcs |                                      |
| 320   | 8057503-77     | SPRAY PIPE GROMMET UPPER GREY  | 1 Pcs |                                      |
| 323   | 8071606-L-77   | SPRAYTOWER L SPRAY NOZZLE UL4  | 1 Pcs |                                      |
| 323-a | 8901765        | O-RING 695X3 UL4               | 1 Pcs |                                      |
| 324   | 8072730-L-77   | SPRAYTOWER U SPRAY NOZZLE UL4  | 1 Pcs |                                      |
| 325   | 8072891        | SPRAYARM LOWER COMPLETE        | 1 Pcs |                                      |
| 326   | 8072894        | SPRAYARM UPPER COMPLETE        | 1 Pcs |                                      |
| 327   | 8073381        | TUBE POTRINSE 6x160            | 1 Pcs |                                      |
| 327-a | 8902085        | SCREW PT KB40X10 WN1442 RFS    | 2 Pcs |                                      |
| 328   | 8071607        | LOCKRING SPRAYPIPE BEARING UL4 | 1 Pcs |                                      |
| 331   | 8072543-77     | SPRAY NOZZLE UL4               | 2 Pcs | For part no 8073381 and 8072730-L-77 |
| 332   | 8075420        | HOSE 268X328X295               | 1 Pcs |                                      |
| 332-a | 8052189        | HOSE CLIP RFZ 170-706R         | 2 Pcs |                                      |



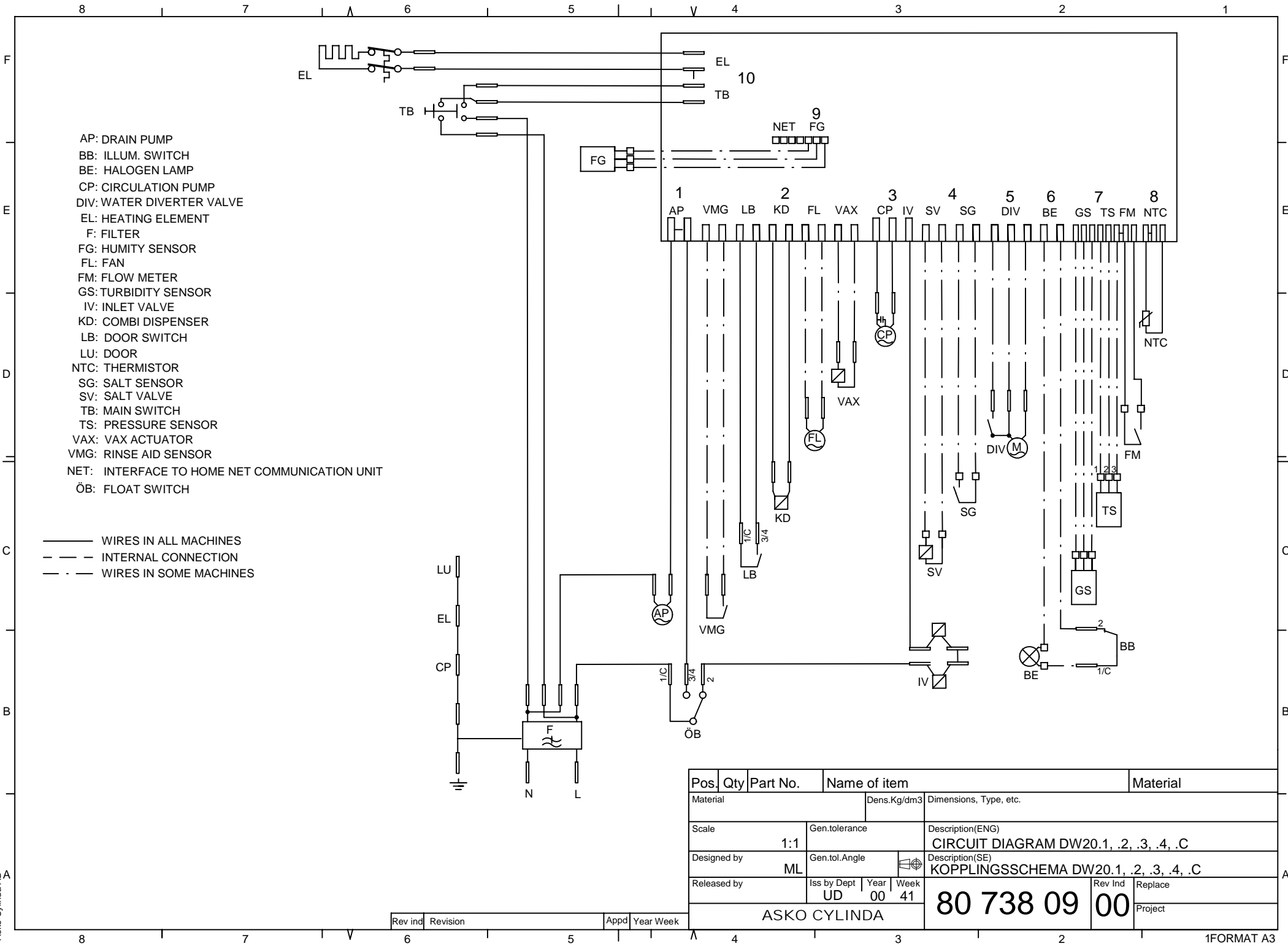
## **Bottom well and related parts**

### **ASKO, D3450 US - SS Bi (DW20.3US)**

| <b>Pos</b> | <b>Spare part No.</b> | <b>Description</b>             | <b>Qty</b> | <b>Comment</b> |
|------------|-----------------------|--------------------------------|------------|----------------|
| 402        | 8073691-77            | BOTTOM WELL PRESSURE SENS UL4  | 1 Pcs      |                |
| 402-a      | 8073002               | O-RING 109x4 NBR70 UL4         | 1 Pcs      |                |
| 403        | 8057487-79            | COVER PLATE BOTTOM WELL YELLOW | 1 Pcs      |                |
| 404        | 8058454               | COVER PLATE INLET DW95         | 1 Pcs      |                |
| 405        | 8073839               | PRESSURE SENSOR UL4            | 1 Pcs      |                |
| 405-a      | 8074040               | O-RING 63X24 NBR70 UL4         | 1 Pcs      |                |
| 406        | 8074364               | STRAINER DW20                  | 1 Pcs      |                |
| 406        | 8074252               | Use 8074364                    | 1 Pcs      |                |
| 407        | 8073835               | MICROSWITCH FLOAT              | 1 Pcs      |                |
| 409        | 8073396-77            | INSERT STRAINER BASKET         | 1 Pcs      |                |
| 410        | 8073818               | DRAIN PUMP 120V 60HZ UL4       | 1 Pcs      |                |
| 410-a      | 8002584               | O-RING 495X30 NBR70 UL1        | 1 Pcs      |                |
| 411        | 8074030               | OUTLET HOSE 25 M UL4           | 1 Pcs      |                |
| 411-a      | 8052239               | HOSE CLIP RFZ 285-316-706R     | 1 Pcs      |                |
| 411-b      | 8052430               | CABLE STRIP PLT3S -M (291X48)  | 1 Pcs      |                |
| 414        | 8073403               | NON RETURN VALVE               | 1 Pcs      |                |
| 414-a      | 8052239               | HOSE CLIP RFZ 285-316-706R     | 1 Pcs      |                |
| 414-b      | 8053642               | HOSE CLIP 271-708              | 1 Pcs      |                |
| 415        | 8075110               | FLOAT                          | 1 Pcs      |                |
| 416        | 8057972-77            | STRAINER BASKET GREY           | 1 Pcs      |                |
| 418        | 8072528-77            | HOLDER OUTLETHOSE              | 1 Pcs      |                |
| 418-a      | 8053642               | HOSE CLIP 271-708              | 1 Pcs      |                |
| 418-b      | 8052239               | HOSE CLIP RFZ 285-316-706R     | 1 Pcs      |                |
| 418-c      | 33700450              | CABLE STRIP T 30 R             | 1 Pcs      |                |
| 418-d      | 8902072               | SCREW PT KB40X10 WN1442 GALV   | 1 Pcs      |                |
| 419        | 8072848               | LOCKRING BOTTOM WELL UL4       | 1 Pcs      |                |
| 420        | 8074760-77            | VENTILATOR UL4                 | 1 Pcs      |                |
| 421        | 8075321               | END CUFF USA UL4               | 1 Pcs      |                |

This document must not be copied without our written permission, and the contents thereof must not be imparted to a third party nor be used for any unauthorized purpose. ASKO CYLINDA AB

S:\UDw2011\_Tryckunderlag\Kopplingschema\8073809 Circuit diagram DW20.4\_c.dft , mail , 2002-06-18 08:34:08



| Pos.         | Qty | Part No.                | Name of item   | Material                |
|--------------|-----|-------------------------|--|-------------------------|
| Material     |     | Dens.Kg/dm <sup>3</sup> | Dimensions, Type, etc.                                     |                         |
| Scale        |     | 1:1                     | Description(ENG)<br>CIRCUIT DIAGRAM DW20.1, .2, .3, .4, .C |                         |
| Designed by  |     | ML                      | Description(SE)<br>KOPPLINGSSCHEMA DW20.1, .2, .3, .4, .C  |                         |
| Released by  |     | UD                      | Iss by Dept   Year   Week<br>00   41                       | Rev Ind   Replace<br>00 |
| ASKO CYLINDA |     |                         | 80 738 09  | 00                      |
|              |     |                         |  | Project                 |

| Rev ind | Revision | Appd | Year | Week |
|---------|----------|------|------|------|
|         |          |      |      |      |