

ASKO
BUILT TO LAST LONGER

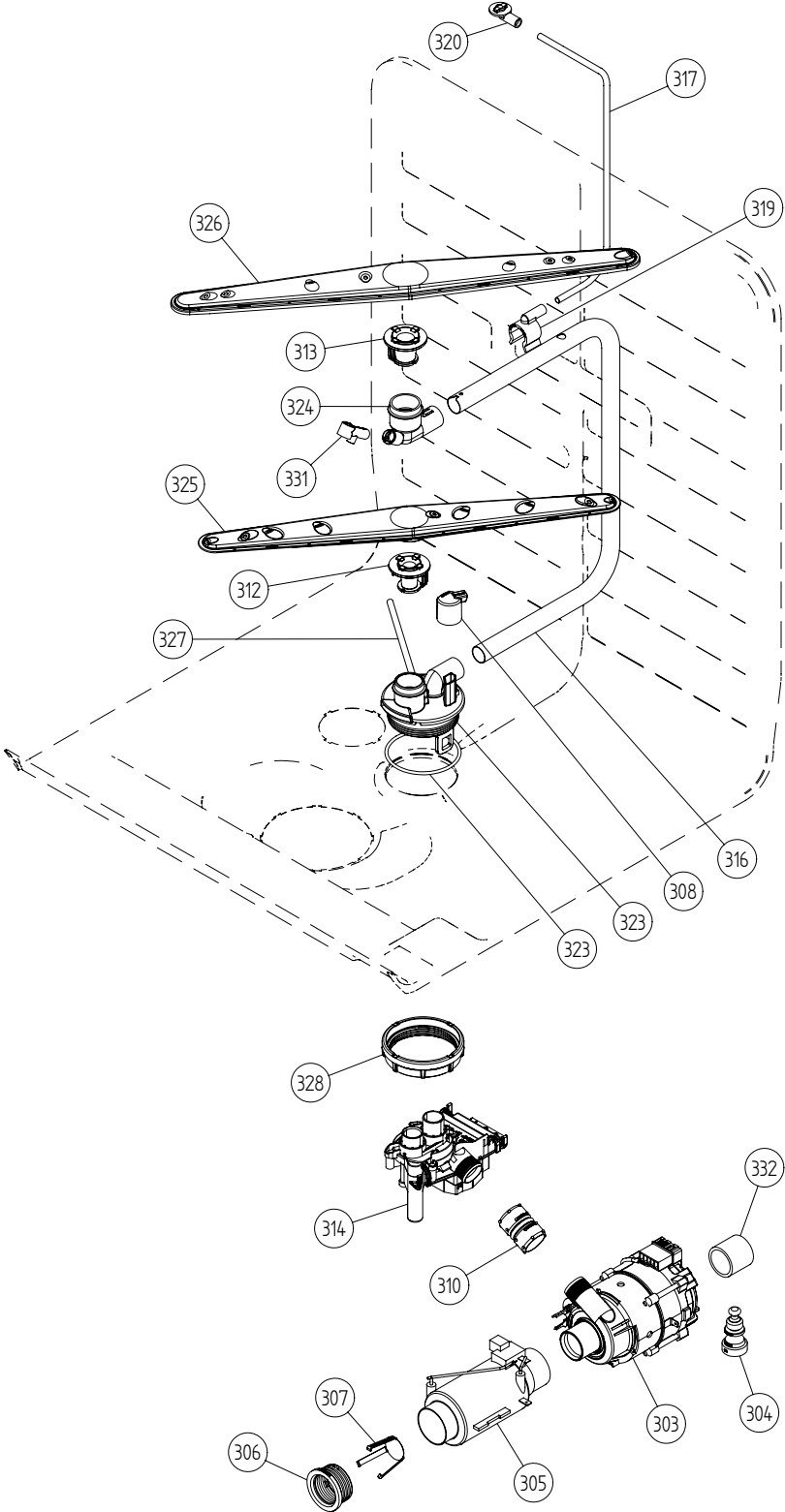
Spare Parts Catalogue

Dishwashers \ 3000XL Series
Type: DW20.4
Model: D3531 XL US Titanium FI

Prod. No: 107353171
October 6th 2004

AM Appliances Group

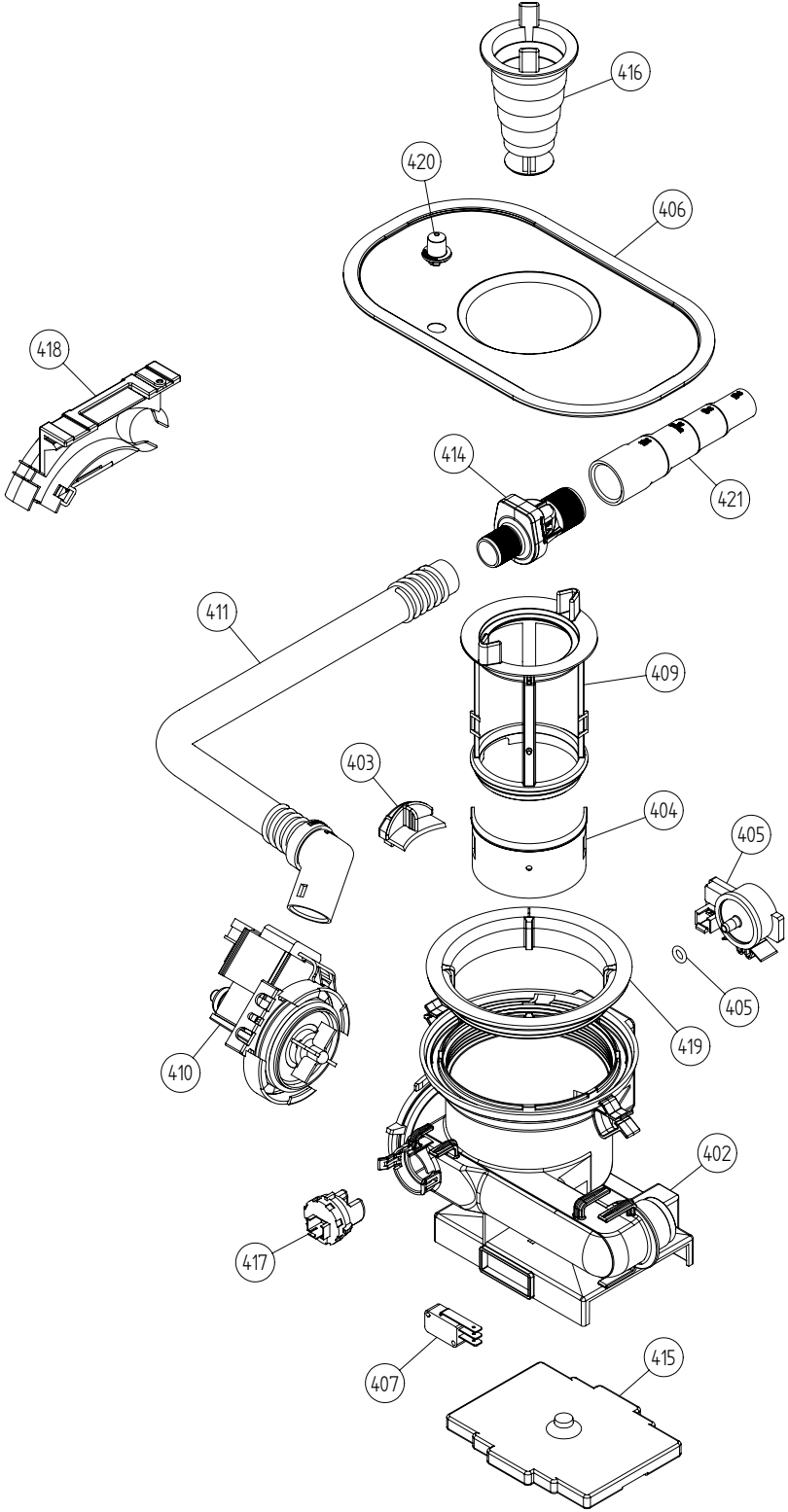
P.O. Box 851805 • Richardson • TX 75085-1805
789 N. Grove Road • Suite 103 • Richardson • TX 75081



Wash system

ASKO, D3531 XL US - Titanium FI (DW20.4)

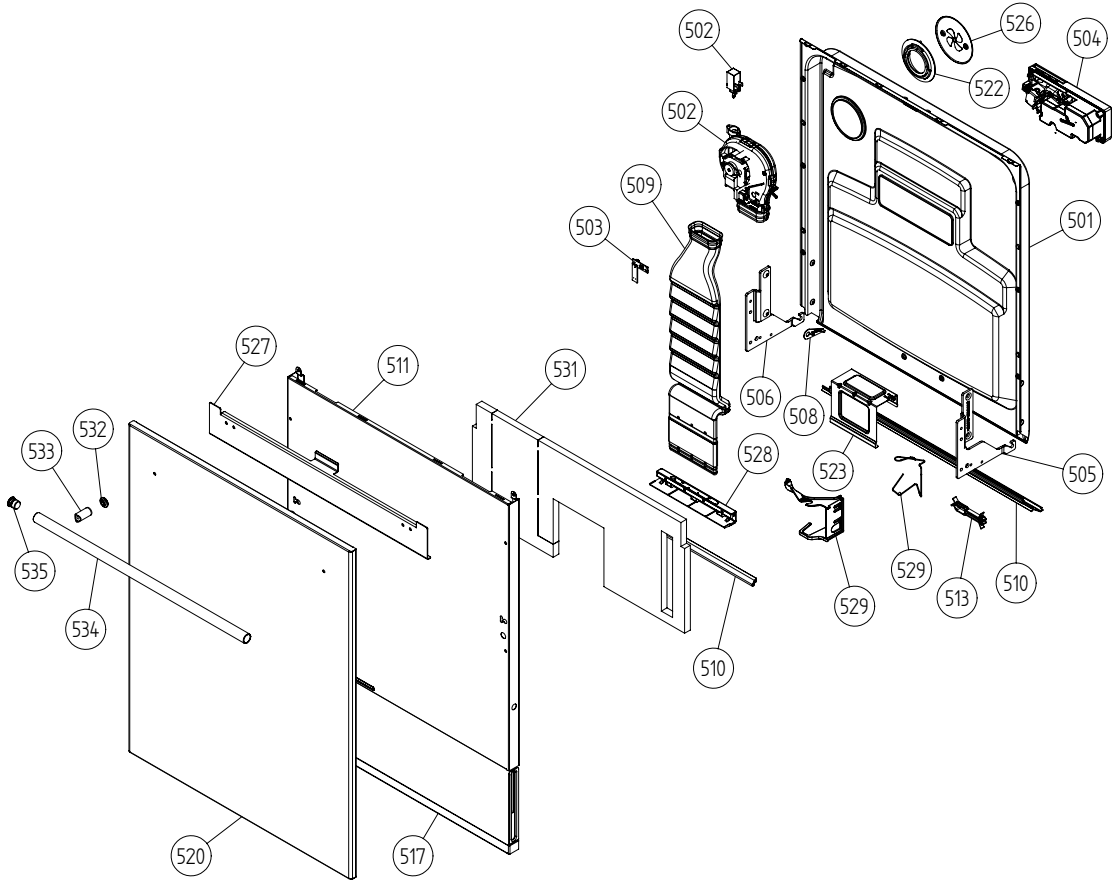
Pos	Spare part No.	Description	Qty	Comment
301	8073502	-	1 Pcs	Not to be ordered
303	8073813	CIRCPUMP 120V 60HZ UL4	1 Pcs	
303-a	8075380	CAPACITOR 16UF CIRCPUMP DW20	1 Pcs	
304	8075130	RUBBER DAMPER CIRCPUMP UL4	1 Pcs	
305	8073785	HEATINGELEMENT 1200W 120V	1 Pcs	
306	8073702	ELEMENT TRANSMUTATION UL4	2 Pcs	
307	8075070	INSERT FOR HEATER	1 Pcs	
308	8073385-77	CUP DRAINAGE GREY	1 Pcs	
310	8072888	HOSE CIRKPUMP UL4	1 Pcs	
310-a	8056491	HOSE CLIP 301-708	2 Pcs	
312	8072728-77	SPRAY ARM BEARING L GREY UL4	1 Pcs	
313	8072731-77	SPRAYARM BEARING UPPER UL4	1 Pcs	
314	8073822	WATER DIV VALVE 120V 60HZ UL4	1 Pcs	
314-a	8073003	O-RING 200X375 NRB70 UL4	2 Pcs	
316	8073387-D	SPRAY PIPE	1 Pcs	
317	8073394-E	SPRAY PIPE KNIFE SPRAYER UPPER	1 Pcs	
319	8057504-77	SPRAY PIPE GROMMET LOWER GREY	1 Pcs	
320	8057503-77	SPRAY PIPE GROMMET UPPER GREY	1 Pcs	
323	8071606-L-77	SPRAYTOWER L SPRAY NOZZLE UL4	1 Pcs	
323-a	8901765	O-RING 695X3 UL4	1 Pcs	
324	8072730-L-77	SPRAYTOWER U SPRAY NOZZLE UL4	1 Pcs	
325	8072891	SPRAYARM LOWER COMPLETE	1 Pcs	
326	8072894	SPRAYARM UPPER COMPLETE	1 Pcs	
327	8073381	TUBE POTRINSE 6x160	1 Pcs	
327-a	8902085	SCREW PT KB40X10 WN1442 RFS	2 Pcs	
328	8071607	LOCKRING SPRAYPIPE BEARING UL4	1 Pcs	
330	8073384-77	CUP DRAINAGReplby 8073385-77	1 Pcs	
331	8072543-77	SPRAY NOZZLE UL4	1 Pcs	For part no 8073381 and 8072730-L-77
332	8075420	HOSE 268X328X295	1 Pcs	
332-a	8052189	HOSE CLIP RFZ 170-706R	2 Pcs	



Bottom well and related parts

ASKO, D3531 XL US - Titanium FI (DW20.4)

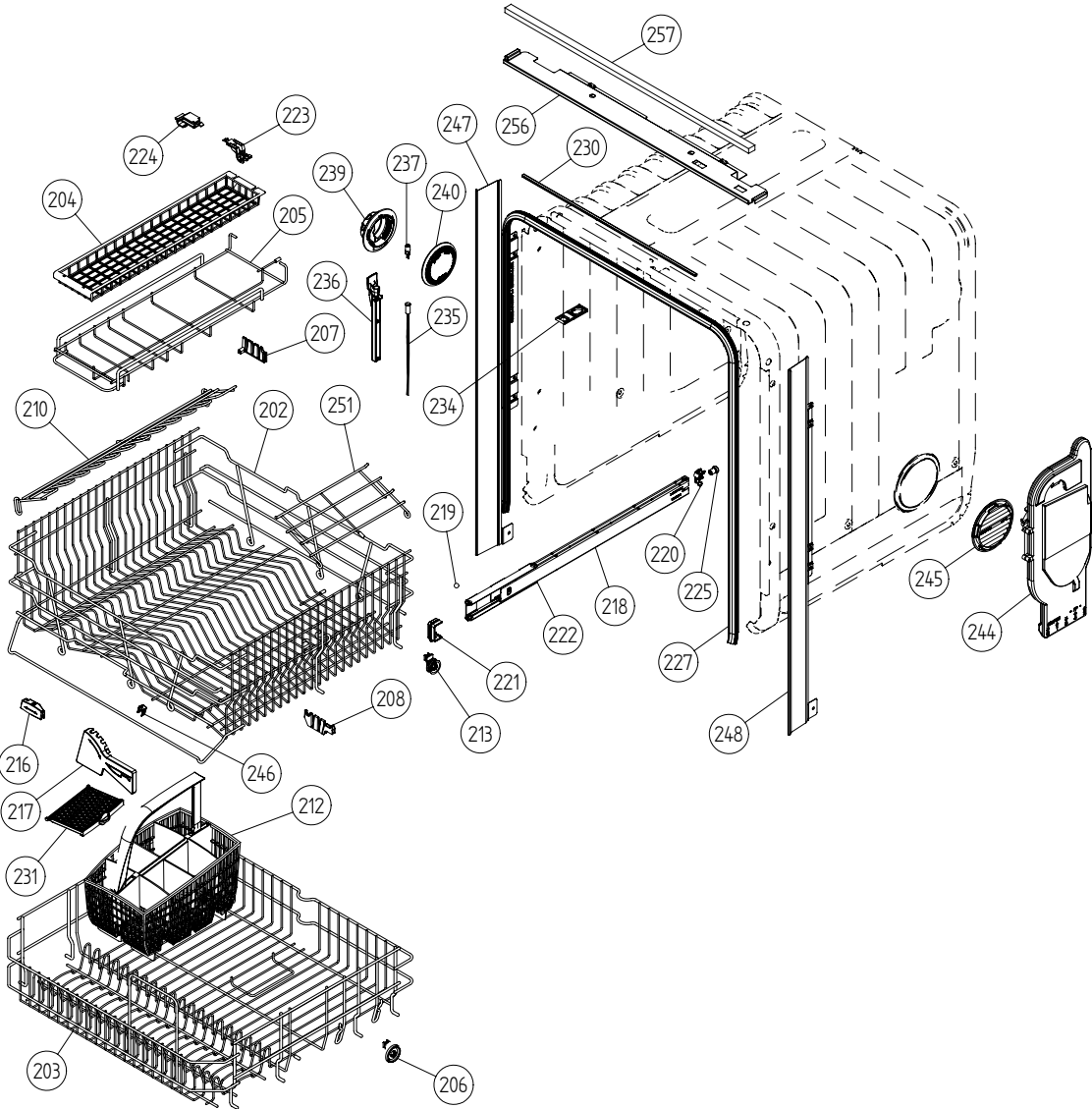
Pos	Spare part No.	Description	Qty	Comment
402	8073692-77	BOTTOM WELL 2 SENSOR GREY UL4	1 Pcs	
402-a	8073002	O-RING 109x4 NBR70 UL4	1 Pcs	
403	8057487-79	COVER PLATE BOTTOM WELL YELLOW	1 Pcs	
404	8058454	COVER PLATE INLET DW95	1 Pcs	
405	8073839	PRESSURE SENSOR UL4	1 Pcs	
405-a	8074040	O-RING 63X24 NBR70 UL4	1 Pcs	
406	8074364	STRAINER DW20	1 Pcs	
406	8074252	Use 8074364	1 Pcs	
407	8073835	MICROSWITCH FLOAT	1 Pcs	
409	8073396-77	INSERT STRAINER BASKET	1 Pcs	
410	8073818	DRAIN PUMP 120V 60HZ UL4	1 Pcs	
410-a	8002584	O-RING 495X30 NBR70 UL1	1 Pcs	
411	8074030	OUTLET HOSE 25 M UL4	1 Pcs	
411-a	8052239	HOSE CLIP RFZ 285-316-706R	1 Pcs	
411-b	8052430	CABLE STRIP PLT3S -M (291X48)	1 Pcs	
414	8801248	KIT CHECK VALVE	1 Pcs	
414-a	8052239	HOSE CLIP RFZ 285-316-706R	1 Pcs	
414-b	8053642	HOSE CLIP 271-708	1 Pcs	
415	8075110	FLOAT	1 Pcs	
416	8057972-77	STRAINER BASKET GREY	1 Pcs	
417	8073838	TURBIDSENSOR UL4	1 Pcs	
417-a	8073003	O-RING 200X375 NRB70 UL4	1 Pcs	
418	8072528-77	HOLDER OUTLETHOSE	1 Pcs	
418-a	8053642	HOSE CLIP 271-708	1 Pcs	
418-b	8052239	HOSE CLIP RFZ 285-316-706R	1 Pcs	
418-c	33700450	CABLE STRIP T 30 R	1 Pcs	
418-d	8902072	SCREW PT KB40X10 WN1442 GALV	1 Pcs	
419	8072848	LOCKRING BOTTOM WELL UL4	1 Pcs	
420	8074760-77	VENTILATOR UL4	1 Pcs	
421	8075321	END CUFF USA UL4	1 Pcs	



Inner door, panel and related parts

ASKO, D3531 XL US - Titanium FI (DW20.4)

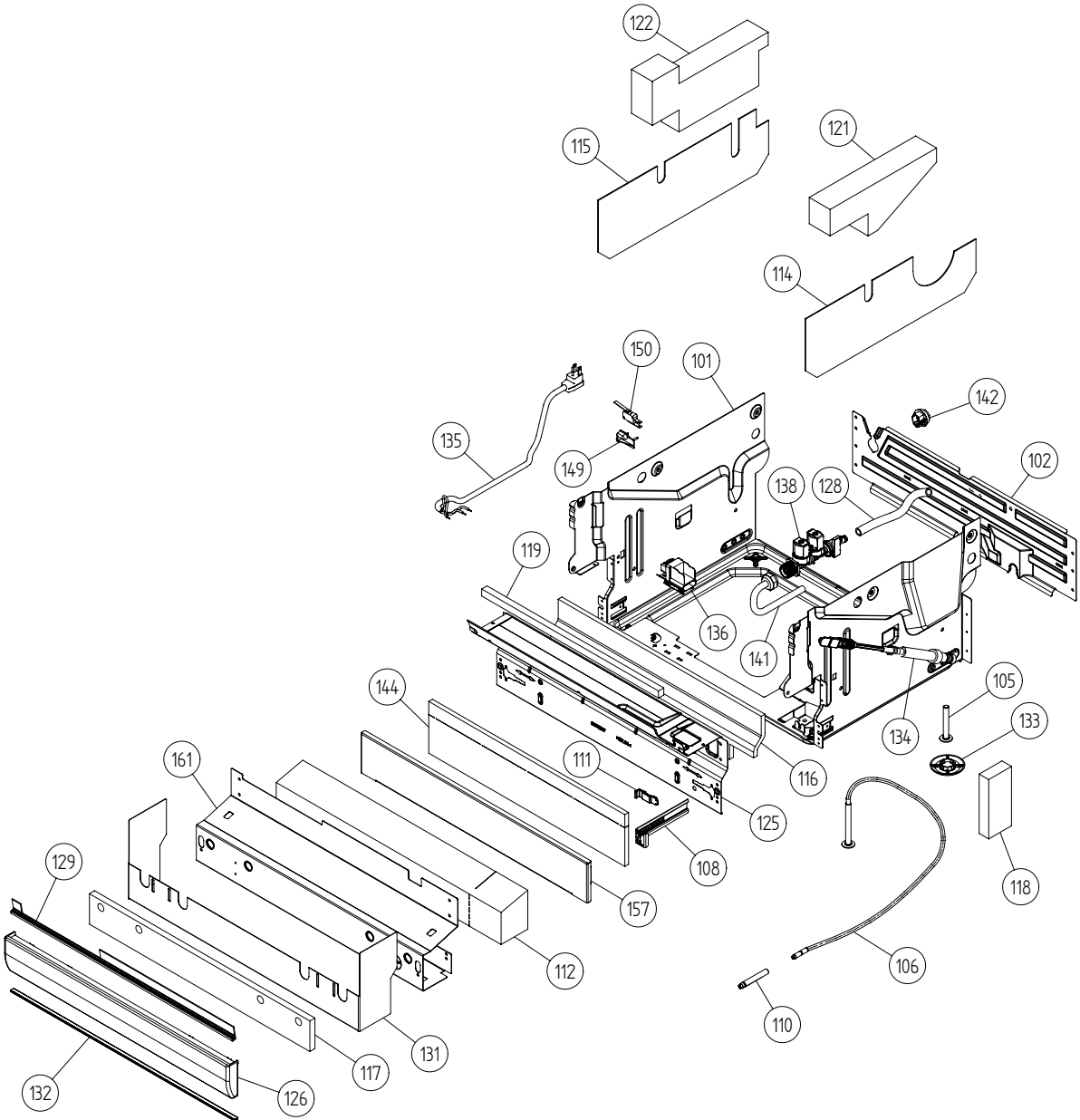
Pos	Spare part No.	Description	Qty	Comment
501	8801254	DOOR INNER INSUL FAN/INT 86CM	1 Pcs	
501-a	8900646	SCREW A4 RTS 42X13 T20 SORT	6 Pcs	
501-b	8902121	SCREW A2-MKFT 5X10	4 Pcs	
502	8073852	FAN COMPL 120V FOR SENSOR	1 Pcs	
502-a	8058501	O-RING 83X3 NBR 70 UL4	1 Pcs	
502-b	8052778	WAXMOTOR 10033214	1 Pcs	
503	8073840	HUMIDITY SENSOR UL4	1 Pcs	
504	8073803	COMBIDISP REED REAY 120V UL4	1 Pcs	
504-a	8071916	SEALDETCOMPLID	1 Pcs	
504-b	8071917	CAP RINSE AGENT	1 Pcs	
504-c	8071918	LIDINCLSEAL AND SPRING	1 Pcs	
504-d	8072288	SEALING STRIP COMBIDISP	1 Pcs	
504-f	8902087	SCREW PTK 40X14 WN1452 FZB T20	6 Pcs	
505	8057524	HINGE RIGHT PAINTED DW95	1 Pcs	
505-a	8057530	HINGE SCREW DW95	1 Pcs	
505-b	33500262	NUT M4 (LOC-KING) 4 DIN 985	1 Pcs	
506	8057525	HINGE LEFT PAINTED DW95	1 Pcs	
506-a	8057530	HINGE SCREW DW95	1 Pcs	
506-b	33500262	NUT M4 (LOC-KING) 4 DIN 985	1 Pcs	
507	8057530	HINGE SCREW DW95	2 Pcs	
507-a	33500262	NUT M4 (LOC-KING) 4 DIN 985	2 Pcs	
508	8057948	SLIDE WASHER HINGE BEARINGDW95	2 Pcs	
509	8057963-P	AIR CANNEL ADJUSTABLE DOOR	1 Pcs	
510	8073479	DOOR SEAL Replby 8060254	1 Pcs	
510	8057949	DOOR SEAL Replby 8060254	1 Pcs	
510	8060254	DOOR SEAL LOWER CUTTING 555	1 Pcs	
511	8074800-PT	DOOR OUTER LONG INT. ADJUST.	1 Pcs	
511	8074800-PT-81	Outer door long 3000XL	1 Pcs	
511-a	8900646	SCREW A4 RTS 42X13 T20 SORT	6 Pcs	
513	8074015	CABLE BRACKET DOOR	1 Pcs	
517	8074012-81	ADJUSTABLE FRAME AIR CHANNEL	1 Pcs	
517-a	8902133	SCREW MRT-GF M5x8 COMB T25 FZB	2 Pcs	
522	8057964	LOCK RING FAN CASING UL4	1 Pcs	
522-a	8902085	SCREW PT KB40X10 WN1442 RFS	2 Pcs	
523	8057983	BRACE 86CM	1 Pcs	
523-a	8900646	SCREW A4 RTS 42X13 T20 SORT	2 Pcs	
523-b	8902357	SCREW RTS 42X13 FZB T20 SORT	2 Pcs	
526	8058484	COVER PLATE FAN WITH SYMBOL	1 Pcs	
526-a	8902085	SCREW PT KB40X10 WN1442 RFS	2 Pcs	
528	8072732-33	NOZZLE AIR DUCT INT COMPL /2	1 Pcs	
529	8074278	BRACKET FOR HARNESS UL4	1 Pcs	
529	8073612	BRACKET FOR HARNESS	1 Pcs	
531	8074258	SOUND ABSORBTION OUTERDOOR	1 Pcs	



Baskets and related parts

ASKO, D3531 XL US - Titanium FI (DW20.4)

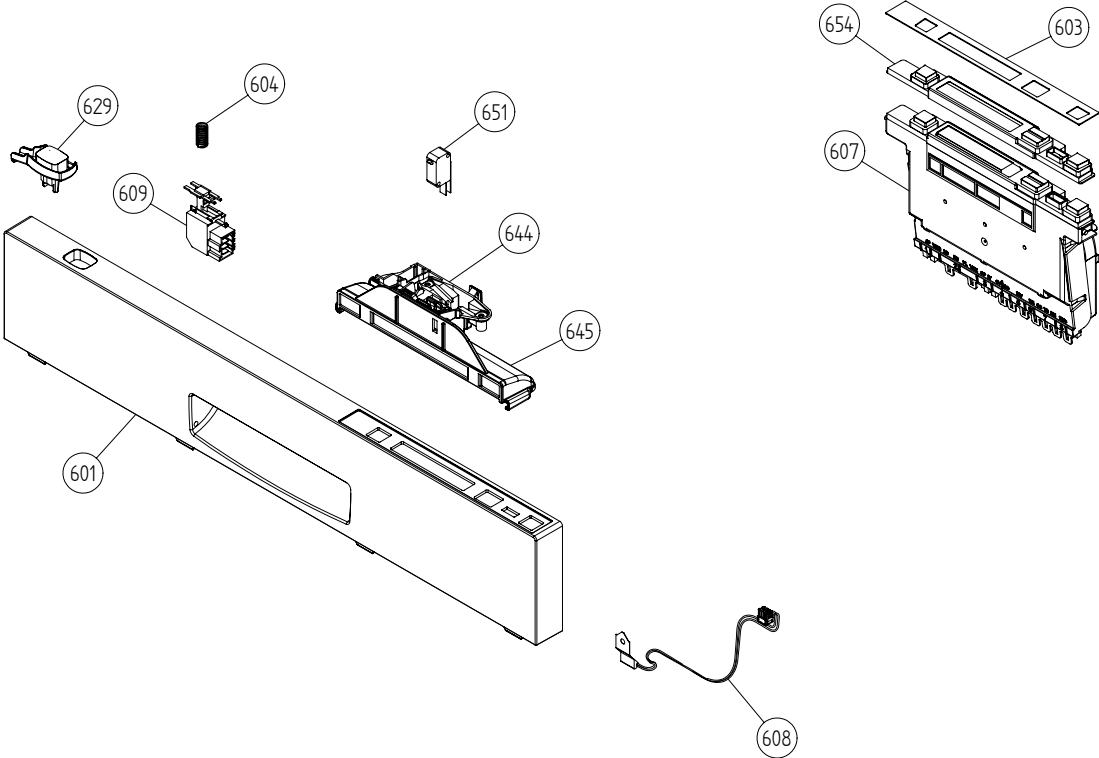
Pos	Spare part No.	Description	Qty	Comment
201	8057056	-	1 Pcs	Not a spare part
202	8801236-36	UPPER BASKET EXCL CPL DGREY	1 Pcs	
203	8801237-36	LOWER BASKET EXCL CPL LGREY	1 Pcs	
204	8053376-77	CUTLERY BASKET UPPER GREY	1 Pcs	
205	8057058-36	BASKET KNIFE BOX D-GREY DW95	1 Pcs	
206	8009516-77	BASKET WHEEL COMPL GREY	8 Pcs	
207	8057505-77	KNIFE STAND GREY DW95	1 Pcs	
208	8071214-77	HOLDERCARVING KNIVES U-BASKET	2 Pcs	
210	8071337-36	CUP SHELF WINE GLASS MGR ADJ	1 Pcs	
212	8801239-77	CUTLERY BASKET INCL DOOR	1 Pcs	
213	8058498-77	BASKET WHEEL COMPL GREY DW95	4 Pcs	
216	8072553-77	BRACKET PIN ROW UPPER BASKET	1 Pcs	
217	8072554-77	KNIFE GUARD	1 Pcs	
218	8057052	GUIDE RAIL	2 Pcs	
219	8057977	BALL DIAM 8 DW95	8 Pcs	
220	8057978-77	BALLCATCH GREY COMPL	2 Pcs	
221	8057979-77	BASKET STOP GREY	2 Pcs	
222	8058638-77	BALL DISTANCE RING GUIDE RAIL	2 Pcs	
223	8057502	SLIDING BRACKET 1 DW95	1 Pcs	
224	8058453	GLIDEMOUNT 2 DW95	1 Pcs	
225	8071247	RUBBER BUFReplby 8057978-77	2 Pcs	
227	8057489-E	DOOR STRIP 86CM UL4	1 Pcs	
230	8071257	EDGE GUARD L=420 MM	1 Pcs	
231	8072986-77	DOOR CUTLERYBASKET UL4	1 Pcs	
234	8070649	LOCK HITCH INTEGR	1 Pcs	
234-a	8070648	LOCK WASHER INTEGR	1 Pcs	Part of 8070469
234-b	8901104	SCREW M4x8 A4 MRT VAXED T20	1 Pcs	
235	8075728	CABLE SET LIGHTING	1 Pcs	
236	8073674	CABLE CHANNEL UL4	1 Pcs	
237	8073830	HALOGEN LAMP UL4	1 Pcs	
239	8072426	LAMP GUARD UL4	1 Pcs	
239-a	8901765	O-RING 695X3 UL4	1 Pcs	
240	8072425	LAMP CHIMNEY UL4	1 Pcs	
244	8057514	AIRBREAK STD W O-RING UL4	1 Pcs	
244-a	8052189	HOSE CLIP RFZ 170-706R	1 Pcs	
245	8057536-77	LOCKRING AIRBREAK GREY	1 Pcs	
246	8075350	CLIPS FOR KNIFE GUARD	1 Pcs	
247	8074342-E	TRIM STRIP LEFT USA 86CM	1 Pcs	
247	8074342-E-81	TRIM STRIP LEFT USA 86CM	1 Pcs	
247-a	8900646	SCREW A4 RTS 42X13 T20 SORT	2 Pcs	
248	8074343-E	TRIM STRIP RIGHT USA 86CM	1 Pcs	
248	8074343-E-81	TRIM STRIP RIGHT USA 86CM	1 Pcs	
248-a	8900646	SCREW A4 RTS 42X13 T20 SORT	2 Pcs	
251	8073508-36	CUP SHELF DIVIDE HI CONTAINER	2 Pcs	
256	8075663-81	TRIM RAIL LOW USA GREY MET.	1 Pcs	
256	8075663	trim rail	1 Pcs	
257	8075664	sealing stripe 3000xl	1 Pcs	



Base and related parts

ASKO, D3531 XL US - Titanium FI (DW20.4)

Pos	Spare part No.	Description	Qty	Comment
101	8074450	BOTTEM OUTER DW20	1 Pcs	
101-a	8901104	SCREW M4x8 A4 MRT VAXED T20	2 Pcs	
101-b	8901110	SCREW O-RING A2-M6X12 T30	4 Pcs	
102	8073880	REAR PANEL	1 Pcs	
102-a	8902357	SCREW RTS 42X13 FZB T20 SORT	5 Pcs	
103	8074268	SOUND ABSORBTION REARPANEL	1 Pcs	
105	8074228	FOOT M10X75 T30 88 FZB	2 Pcs	
106	8073647	FOOT ADJUSTABLE FROM FRONT CPL	1 Pcs	
108	8073480	BRACKET KICKING PLATE	2 Pcs	
111	8073481-49	SPRING KICKING PLATE L-GREY	2 Pcs	
114	8060035	SOUND ABSORP SELF ADH R	1 Pcs	
115	8060034	SOUND ABSORP SELF AD L	1 Pcs	
116	8058353	SOUND ABSORBENT GUARD PLATE	1 Pcs	
118	8060038	SOUND ABBLOCK BOTTOM OUTER	2 Pcs	
119	8074260	SOUND ABSORBTION PROFILE	1 Pcs	
121	8071255	SOUND INS MOTOR COMP RIGHT	1 Pcs	
122	8071254	SOUND INS MOTOR COMPART LEFT	1 Pcs	
125	8076822	GUARD PLATE	1 Pcs	
125	8073707	GUARD PLATE	1 Pcs	
125-a	8902357	SCREW RTS 42X13 FZB T20 SORT	4 Pcs	
128	8075636	RUBBER HOSE 10X15X195	1 Pcs	
128-a	8052189	HOSE CLIP RFZ 170-706R	2 Pcs	
133	8051957	SLIDE FOOT DM-14	3 Pcs	
134	8076163-77	DOOR SPRING FRONT DOOR MOUNTED	1 Pcs	
134	8071323-77	DOOR SPRING FINIT 75 KG RED	1 Pcs	
135	8073774	CORD SET AMERICA	1 Pcs	
136	8073781	FILTER WITH SCREWPLINT	1 Pcs	
136-a	8902131	SCREW MRT-TT 4X6 FZB T20	1 Pcs	
138	8073827	INLVALVE SECURITY 120V SENSOR	1 Pcs	
138-a	8052189	HOSE CLIP RFZ 170-706R	1 Pcs	
141	8073879	CONNECTIONS PIPE 3/8-3/4	1 Pcs	
142	8006948	GROMMET Z13	1 Pcs	
144	8074585	SOUND ABSORB KICKING PLATE	1 Pcs	
149	8054907	SWITCH BRACKET UL4	1 Pcs	
149-a	8902087	SCREW PTK 40X14 WN1452 FZB T20	1 Pcs	
150	8073834	MICROSWITCH LIGHTING	1 Pcs	
154	33055088	RUBBER HOSE 10X15 UL4	1 Pcs	
154-a	8052189	HOSE CLIP RFZ 170-706R	2 Pcs	
157	8073566-81	KICKING PLATE LOW GREY METAL	1 Pcs	



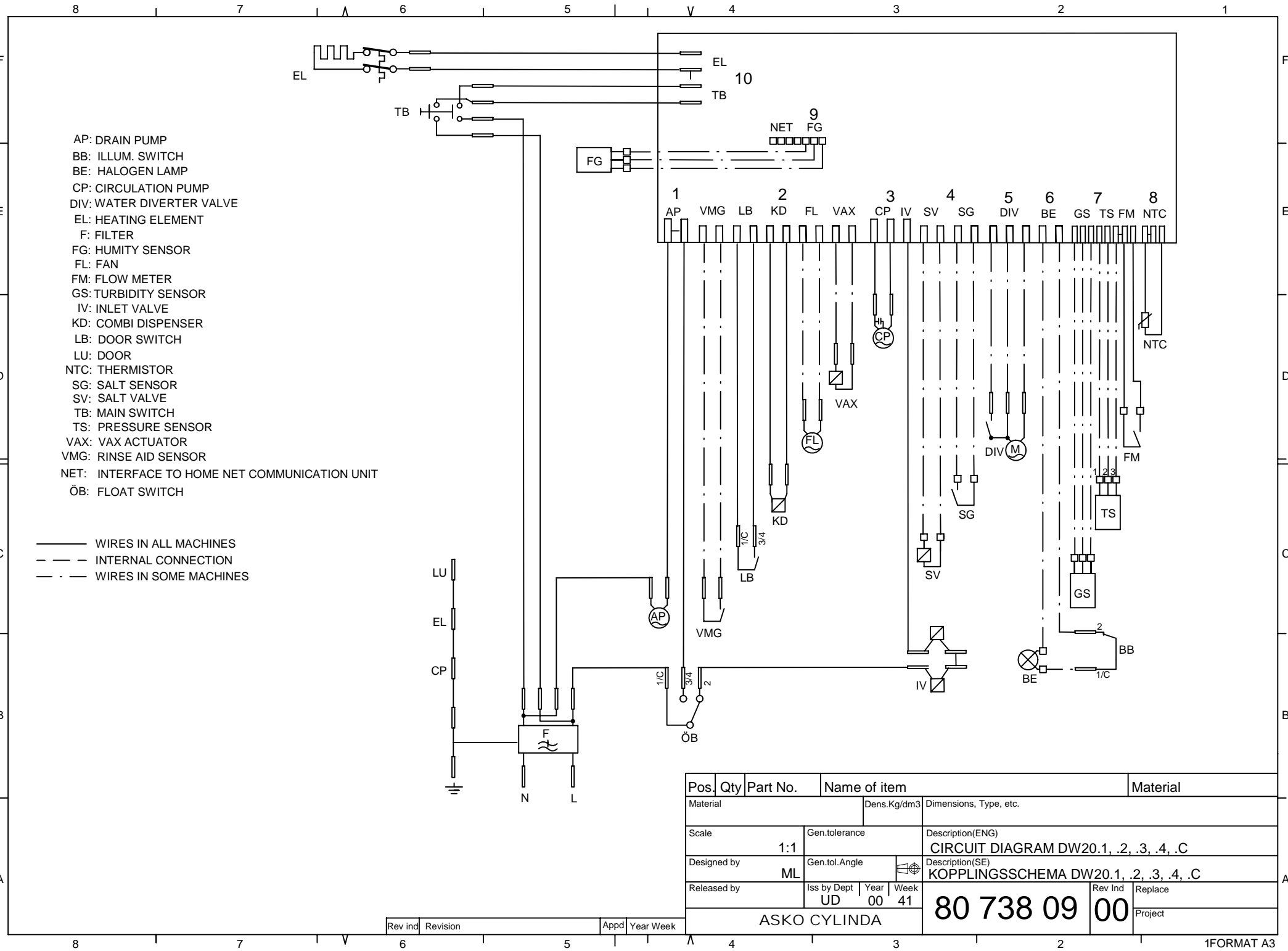
Control panel and related parts

ASKO, D3531 XL US - Titanium FI (DW20.4)

Pos	Spare part No.	Description	Qty	Comment
601	8076751-81-UL	PANEL ASKO 3530-353F GRAH UL4	1 Pcs	
603	8074990	DECOR PLATE ASKO 353T/FI GRAP	1 Pcs	
604	8074277	SPRING MAIN SWITCH	1 Pcs	
607	8801233	CONTROLUNIT COMPL DW204 USA	1 Pcs	
608	8073788	THERMISTOR UL4	1 Pcs	
608-a	8076839	SPACER THERMISTOR DW20	1 Pcs	
609	8073782	MAIN PUSH SWITCH	1 Pcs	
611	8075740	CABLESET DIVERTER VALVE	1 Pcs	
611	8075739	CABLESET HUMIDITY SENSOR	1 Pcs	
614	8075736	CABLE SET CIRCPUMP INLVALVE	1 Pcs	
618	8075738	CABLESET POWER	1 Pcs	
620	8075730	CABLE SET DOOR FAN-REED	1 Pcs	
621	8075732	CABLE SET FLOW PRESSURE TURB	1 Pcs	
622	8075731	CABLE SET DRAIN	1 Pcs	
629	8075078-81	PUSHBUTTON MAINSWITCH GRAPHIC	1 Pcs	
644	8073670	LOCK COMPLETE INTEGRERAD	1 Pcs	
645	8073666	HANDLE INTEGRATED LOCK	1 Pcs	
645-a	8072439	SCREW MC6S M5x45 88 FZB	2 Pcs	
651	8073836	MICROSWITCH DOOR	0 Pcs	
654	8075725-81	PUSHBUTTONS ASKO 353T/FI	1 Pcs	
690	8076144	INSTRUCTIONS D3531-353F US ENG	1 Pcs	
690	8076145	INSTRUCTIONS D3531-353F USA FR	1 Pcs	
690	8076146	INSTRUCTIONS D3531-353F USA ES	1 Pcs	

This document must not be copied without our written permission, and the contents thereof must not be imparted to a third party nor be used for any unauthorized purpose. ASKO CYLINDA AB

S:\UDw2011_Tryckunderlag\Kopplingschema\8073809 Circuit diagram DW20.4_c.dft , mail , 2002-06-18 08:34:08



Pos.	Qty	Part No.	Name of item	Material
Material		Dens.Kg/dm ³	Dimensions, Type, etc.	
Scale		1:1	Description(ENG) CIRCUIT DIAGRAM DW20.1, .2, .3, .4, .C	
Designed by		ML	Description(SE) KOPPLINGSSCHEMA DW20.1, .2, .3, .4, .C	
Released by		UD	Iss by Dept Year Week 00 41	Rev Ind Replace 00
ASKO CYLINDA			80 738 09	00
Rev ind		Revision	Appd	Year Week