

This Owner's Manual is provided and hosted by [Appliance Factory Parts](#).



ASKO D5233XXLSS Owner's Manual

[Shop genuine replacement parts for ASKO
D5233XXLSS](#)



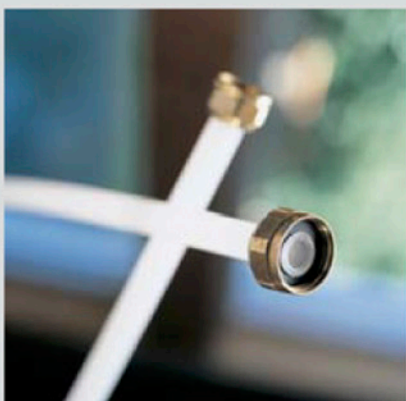
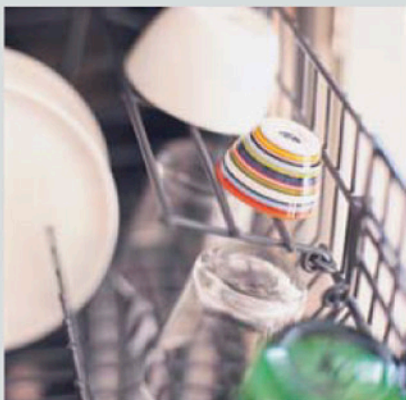
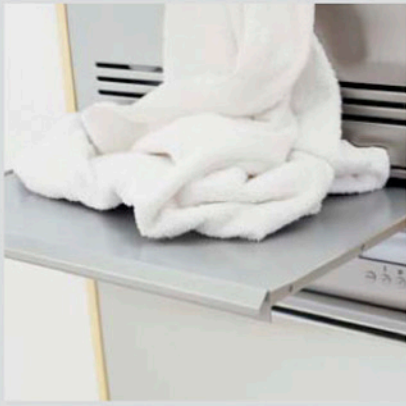
[Find Your ASKO Dishwasher Parts - Select From 210 Models](#)

----- Manual continues below part list -----

Available Replacement Parts for ASKO D5233XXLSS

[428814](#)

SPACERS



Spare Parts Catalogue

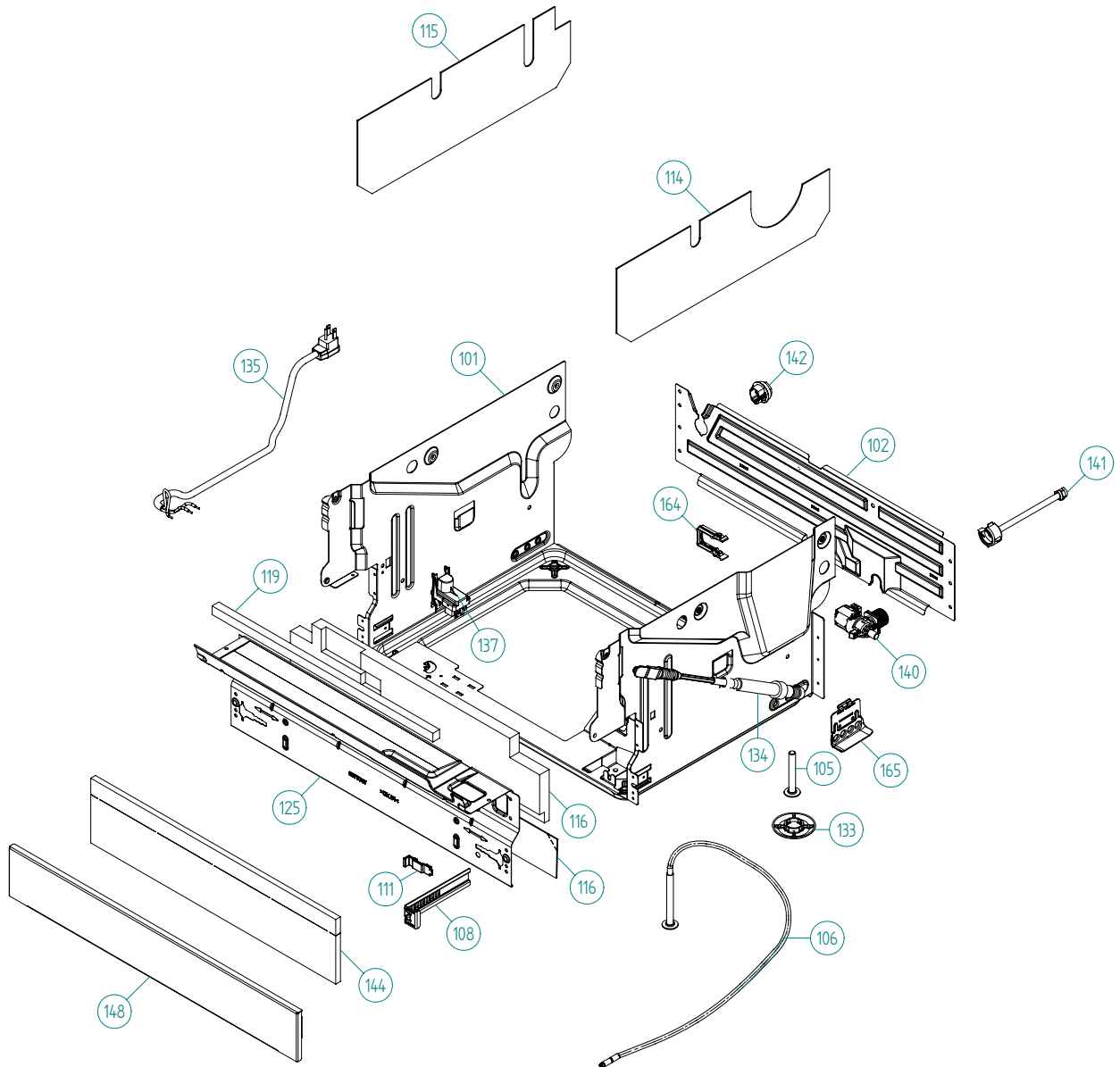
Dishwashers \ ASKO 5000 XXL Series
Type: DW70.3
Model: D5233 XXL US SS

Prod. No: 10752331121

May 11th 2009

ASKO Appliances Inc.

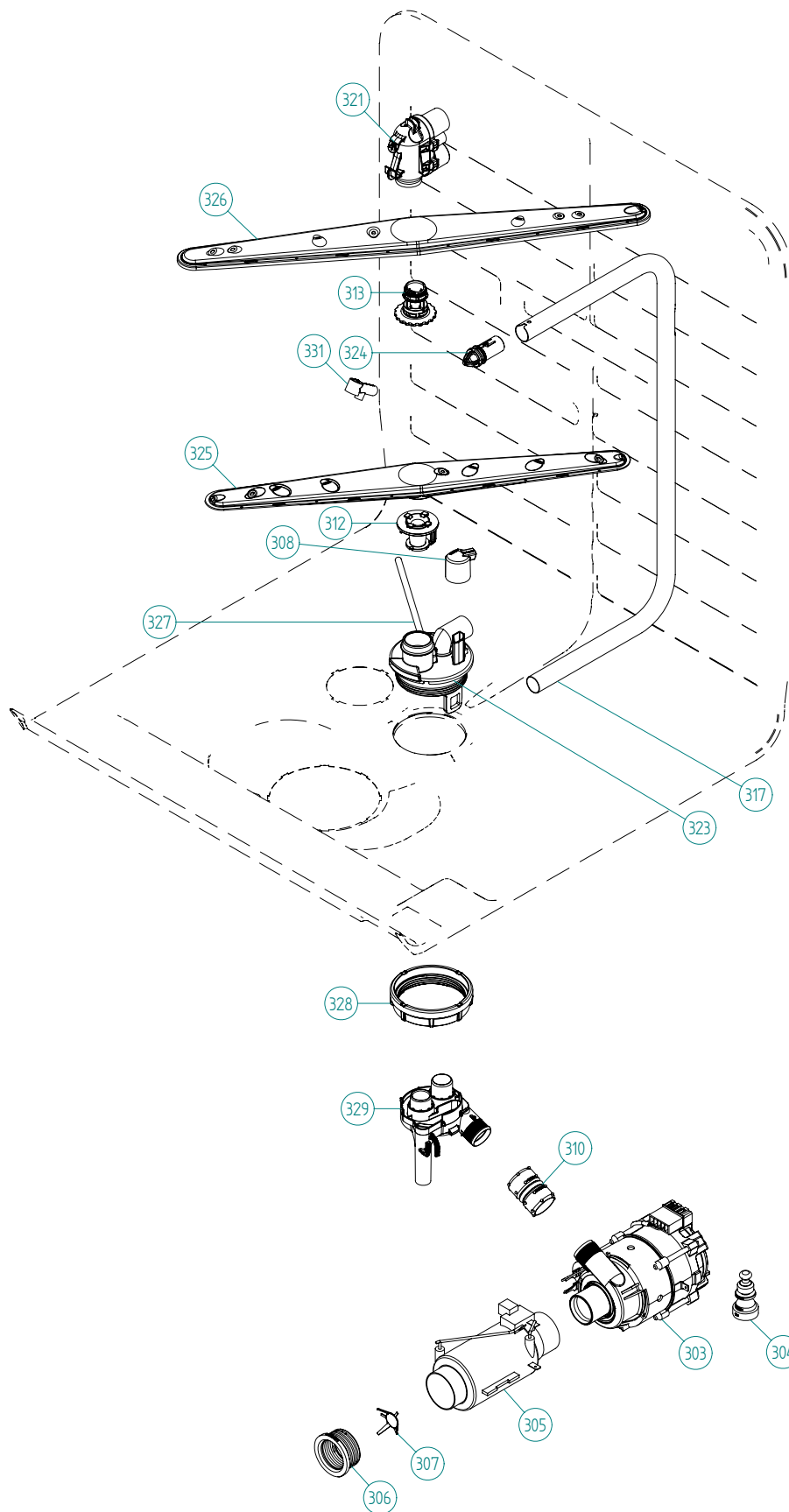
4001 E Plano Parkway #1004001 E Plano Parkway #100
Plano, Texas 75074



Base & Related Parts

ASKO, D5233 XXL US - SS #10752331121 (DW70.3)

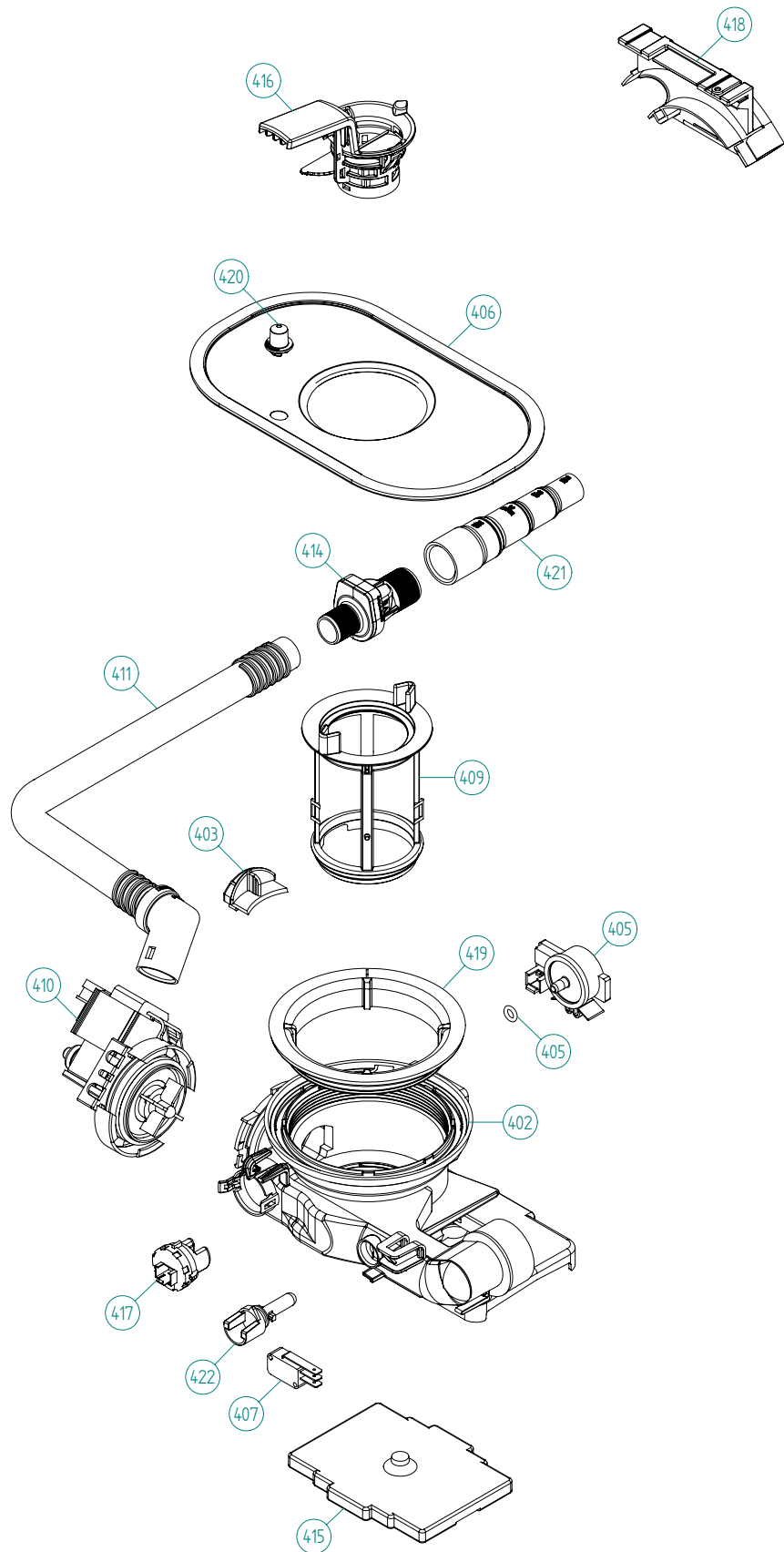
| Pos | Spare part No. | Description | Qty | Comment |
|-------|----------------|--------------------------------|--------|---------|
| 101 | 8801387 | BOTTOM OUTER COMPL. | 1 Pc's | |
| 102 | 8078006 | REAR PANEL | 1 Pc's | |
| 105 | 8074228 | Foot | 2 Pc's | |
| 106 | 8082222 | FOOT ADJUSTABLE FROM FRONT CPL | 1 Pc's | |
| 108 | 8073480 | Toe Kick bracket Right & Left | 2 Pc's | |
| 111 | 8073481-49 | Spring Kicking Plate L Gray | 2 Pc's | |
| 114 | 8078109 | SOUND ABSORP. SELF AD. RIGHT | 1 Pc's | |
| 115 | 8078108 | SOUND ABSORP. SELF AD. LEFT | 1 Pc's | |
| 116 | 8082272 | SOUND ABSORPT PROTECTIVE PLATE | 1 Pc's | |
| 116 | 8078114 | SOUND ABSORBENT GUARD PLATE | 1 Pc's | |
| 119 | 8078122 | SOUND ABSORPTION PROFILE | 1 Pc's | |
| 125 | 8078008 | GUARD PLATE STRAIGHT | 1 Pc's | |
| 133 | 8051957 | Glide Foot | 3 Pc's | |
| 134 | 8079528 | Door Spring-DW70-Yellow | 1 Pc's | |
| 134 | 8079529 | Door Spring-DW70-Red | 1 Pc's | |
| 135 | 8079046 | CORD SET AMERICA | 1 Pc's | |
| 135 | 8083262 | CORD SET 15A AMERICA | 1 Pc's | |
| 137 | 8083041 | FILTER WITH SCREWPLINT | 1 Pc's | |
| 137-a | 8901097 | Screw Terminal | 1 Pc's | |
| 140 | 8801376 | KIT INL.VALVE/LOCKARM SING120V | 1 Pc's | |
| 140-a | 8079597 | LOCK ARM INLET VALVE | 1 Pc's | |
| 141 | 8079522 | PEX Inlet hose DW | 1 Pc's | |
| 142 | 8006948 | Grommet | 1 Pc's | |
| 144 | 8074585 | Felt Kick Plate 05 | 1 Pc's | |
| 148 | 8073506-81 | kick plate metallic | 1 Pc's | |
| 162 | 8079832 | CABLE HOLDER SRC-8-01 | 1 Pc's | |
| 164 | 8079597 | LOCK ARM INLET VALVE | 1 Pc's | |
| 165 | 8078013 | HOLDER DOOR SPRING OUT. BOTTOM | 1 Pc's | |
| 165-a | 8902362 | SCREW RTK ST 4,2X9,5 FZB WAX. | 1 Pc's | |



Wash System

ASKO, D5233 XXL US - SS #10752331121 (DW70.3)

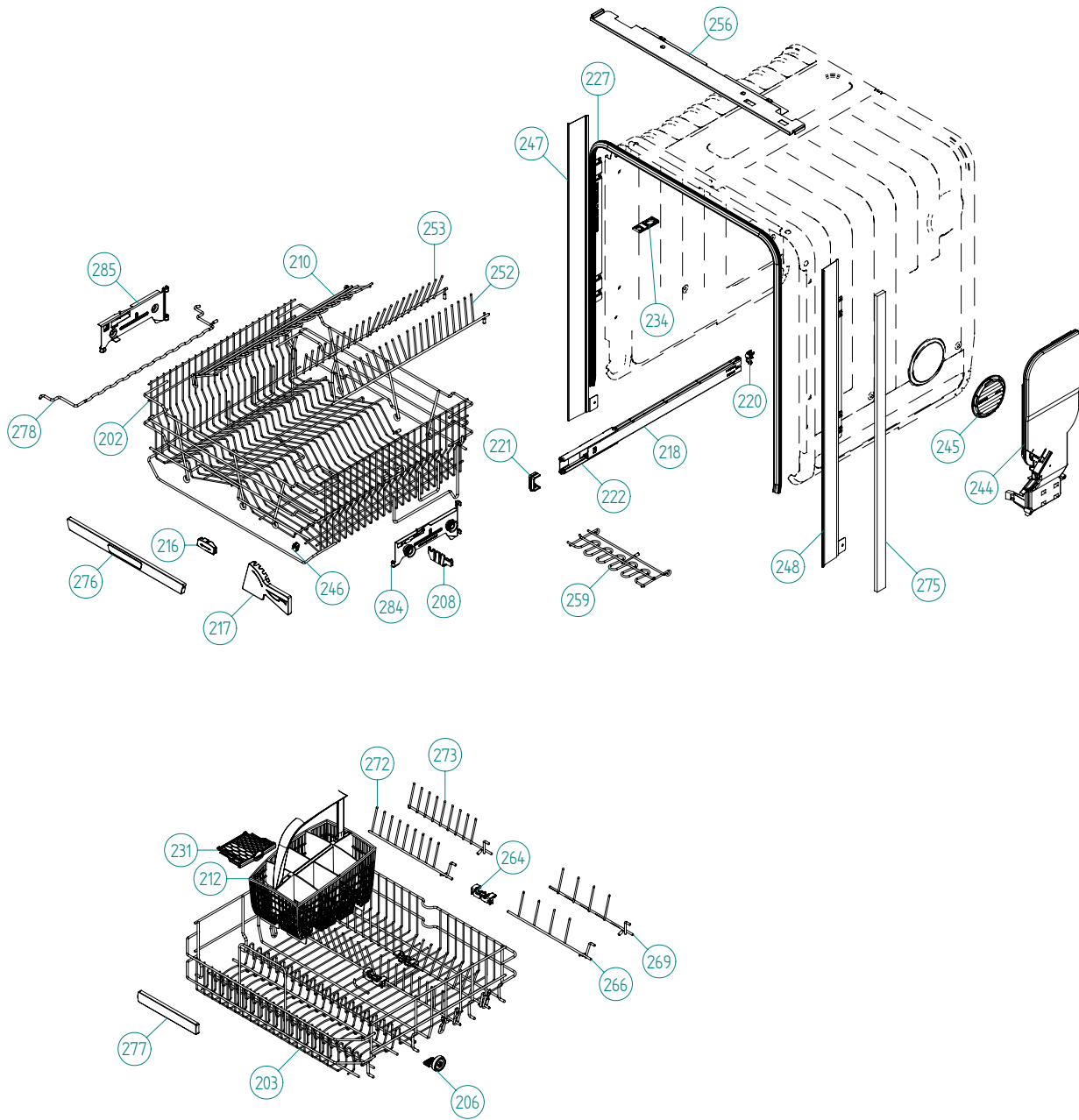
| Pos | Spare part No. | Description | Qty | Comment |
|-------|----------------|--------------------------------|--------|--------------------------------------|
| 301 | 8078001 | BOTTOM REAR SIDE XXL | 1 Pc's | Not to be ordered |
| 303 | 8078082 | CIRC.PUMP 120V 60HZ | 1 Pc's | |
| 303-a | 8083804 | Capacitor 7,0UF 400V P2 CLASS | 1 Pc's | |
| 304 | 8075130 | Rubber Damper Circ Pump | 1 Pc's | |
| 305 | 8079505 | HEATINGELEMENT 1200W 120V | 1 Pc's | |
| 306 | 8079531 | SEALING HEATER DW70 UL4 | 2 Pc's | |
| 307 | 8079575 | INSERT FOR HEATER | 1 Pc's | |
| 308 | 8073385-77 | Cup Drainage Gray | 1 Pc's | |
| 310 | 8072888 | Hose Circ Pump | 1 Pc's | |
| 310-a | 8056491 | HOSE CLIP 30.1-708 | 2 Pc's | |
| 312 | 8076901-77 | Spray arm bearing | 1 Pc's | |
| 313 | 8079108-77 | SPRAYARM BEARING H&L U.BASKET | 1 Pc's | |
| 317 | 8079112-E | SPRAY PIPE H&L UPPER BASK. XXL | 1 Pc's | |
| 321 | 8801359 | SPRAYTOWER COMPL H&L BASKET | 1 Pc's | |
| 323 | 8801270 | KIT SPRAYARM BEAR. LOW NOZZLE | 1 Pc's | |
| 323-a | 8901765 | ORing det Comp 03/04 DW | 1 Pc's | |
| 324 | 8079113-77 | GUIDE SPRAYTUBE ADJ BASKET | 1 Pc's | |
| 325 | 8072891 | Spray Arm Lower Complete | 1 Pc's | |
| 326 | 8079111 | SPRAYARM CPL H&L BASKET | 1 Pc's | |
| 327 | 8073381 | Tube Pot Rinse | 1 Pc's | |
| 327-a | 8902085 | Screw 20T for Plastic | 2 Pc's | |
| 328 | 8071607 | Locking Spray Pipe Bearing | 1 Pc's | |
| 329 | 8078086 | INTERMEDIATE | 1 Pc's | |
| 331 | 8072543-77 | Spray Nozzle | 1 Pc's | For part no 8073381 and 8072730-L-77 |



Bottom Well & Related Parts

ASKO, D5233 XXL US - SS #10752331121 (DW70.3)

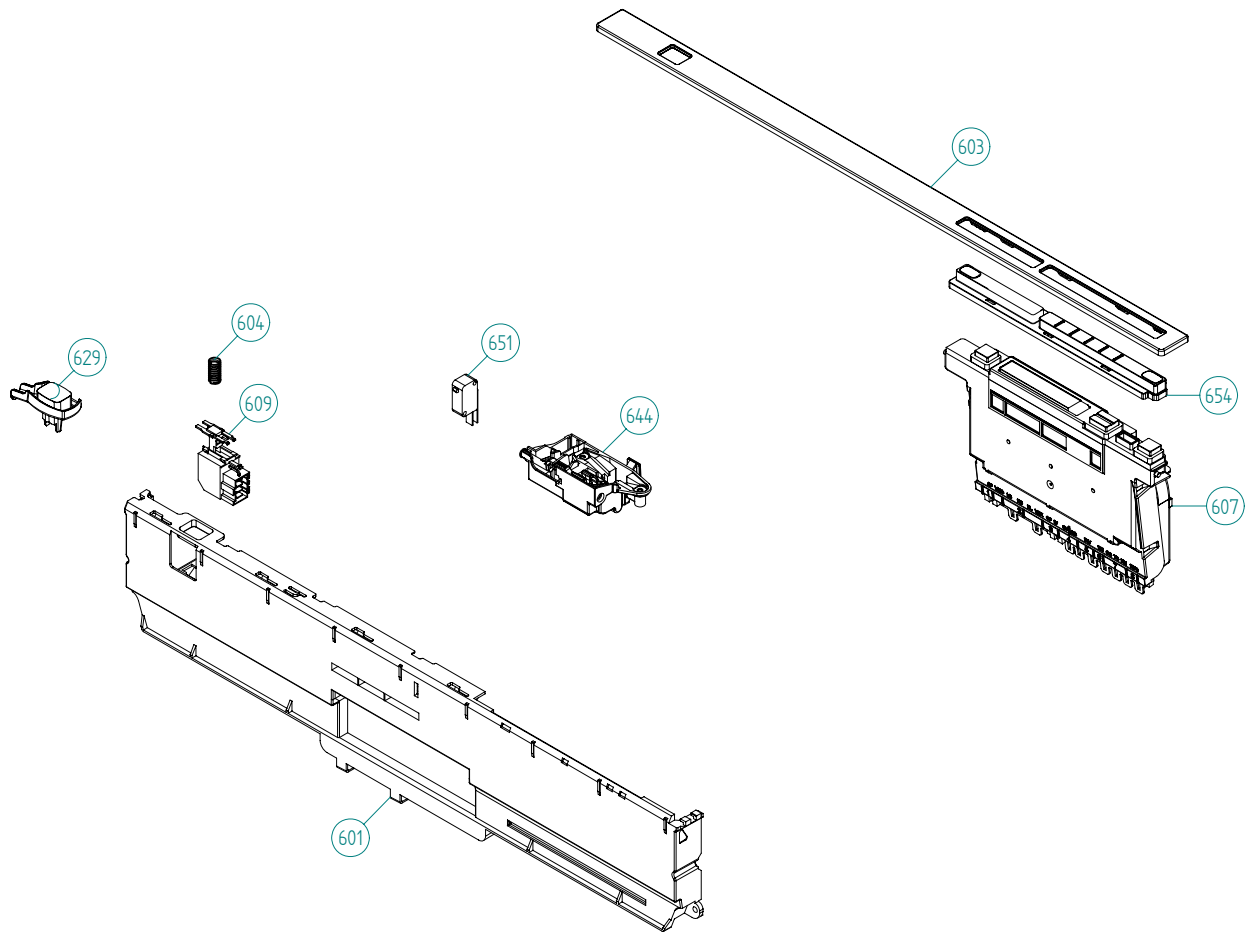
| Pos | Spare part No. | Description | Qty | Comment |
|-------|----------------|--------------------------------|--------|---------|
| 402 | 8078032 | BOTTOM WELL 2 SENSOR UL4 | 1 Pc's | |
| 403 | 8078033 | Rinse Cap Bottom Well - Yellow | 1 Pc's | |
| 405 | 8073839 | Pressure Sensor | 1 Pc's | |
| 405-a | 8074040 | O-Ring | 1 Pc's | |
| 406 | 8074364 | Strainer DW20 | 1 Pc's | |
| 407 | 8073835 | Microswitch Float | 1 Pc's | |
| 409 | 8078038-77 | Pipe Filter DW70 | 1 Pc's | |
| 410 | 8078089 | Drain Pump 120V 60Hz | 1 Pc's | |
| 411 | 8079693 | Outlet Hose w/o Return Valve | 1 Pc's | |
| 414 | 8801248 | Check Valve Kit | 1 Pc's | |
| 414-a | 8052239 | Hose Clamp | 1 Pc's | |
| 414-b | 8053642 | Hose Clamp | 1 Pc's | |
| 415 | 8078025 | Float | 1 Pc's | |
| 416 | 8078039-77 | Strainer Basket Grey | 1 Pc's | |
| 417 | 8081321 | TURBIDSENSOR *ESD* UL4 | 1 Pc's | |
| 418 | 8072528-77 | Holder Outlet Hose | 1 Pc's | |
| 418-a | 8053642 | Hose Clamp | 1 Pc's | |
| 418-b | 8052239 | Hose Clamp | 1 Pc's | |
| 418-c | 33700450 | Cable Strip | 1 Pc's | |
| 418-d | 8902072 | Screw | 1 Pc's | |
| 419 | 8072848 | Lockring Bottom Well | 1 Pc's | |
| 420 | 8074760-77 | Ventilator | 1 Pc's | |
| 421 | 8075321 | End Cuff | 1 Pc's | |
| 422 | 8078096 | Thermistor | 1 Pc's | |



Baskets & Related Parts

ASKO, D5233 XXL US - SS #10752331121 (DW70.3)

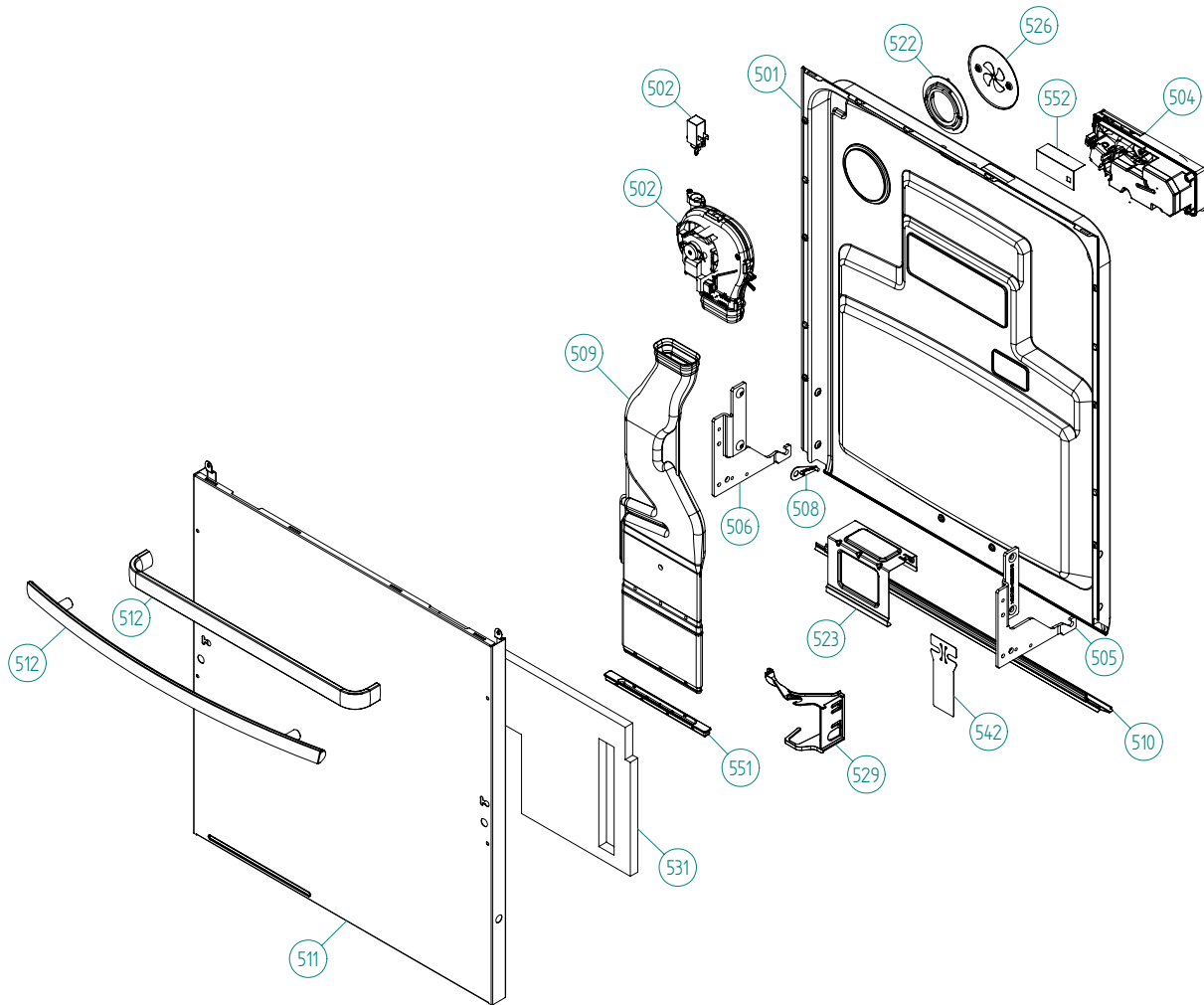
| Pos | Spare part No. | Description | Qty | Comment |
|-------|----------------|--------------------------------|--------|------------------|
| 201 | 8057056 | - | 1 Pc's | Not a spare part |
| 202 | 8801358-36 | UPPER BASKET EXCL. COMPL. H&L | 1 Pc's | |
| 203 | 8801316-36 | LOWER BASKET EXCL D.GREY 07 | 1 Pc's | New design |
| 206 | 8079257-77 | WHEEL FOR LOW DISHW BASKET CPL | 8 Pc's | New design |
| 208 | 8071214-77 | Knife Holder 05/06 DW | 2 Pc's | |
| 210 | 8071337-36 | Cup Shelf Wine Glass 05/06 DW | 1 Pc's | |
| 212 | 8801317-77 | CUTLERY BASKET COMPL. 07 | 1 Pc's | New design |
| 216 | 8072553-77 | BRACKET PIN ROW UPPER BASKET | 1 Pc's | |
| 217 | 8072554-77 | KNIFE GUARD | 1 Pc's | |
| 218 | 8057052 | DW Upper Basket Guide Rail | 2 Pc's | |
| 220 | 8057978-77 | DW Rail Stop - Back Grey | 2 Pc's | |
| 221 | 8057979-77 | Rack Stop Grey 05/06 DW | 2 Pc's | |
| 222 | 8801349-77 | KIT BALL HOLDER INCL. BALLS | 1 Pc's | |
| 225 | 8057978-77 | DW Rail Stop - Back Grey | 2 Pc's | |
| 227 | 8057489-F | DOOR STRIP XXL DW70 | 1 Pc's | |
| 231 | 8079251-77 | DOOR CUTLERYBASKET UL4 | 1 Pc's | New design |
| 234 | 8070649 | Lock Hitch Int | 1 Pc's | |
| 234-a | 8070648 | Lock Washer Int | 1 Pc's | Part of 8070469 |
| 234-b | 8901104 | Screw 20 Torx Machine | 1 Pc's | |
| 244 | 8078300 | AIRBREAK STD. DW70 UL4 | 1 Pc's | |
| 245 | 8057536-77 | Lockring Airbreak Gray | 1 Pc's | |
| 246 | 8075350 | Clip for Knife Guard | 1 Pc's | |
| 247 | 8074342-E-95 | Trim Strip Left XL/XXL | 1 Pc's | |
| 247-a | 8900646 | Screw 20 Torx SS | 2 Pc's | |
| 248 | 8074343-E-95 | Trim Strip Right XL/XXL | 1 Pc's | |
| 248-a | 8900646 | Screw 20 Torx SS | 2 Pc's | |
| 252 | 8072552-36 | PLATERACK RIGHT U-BASKET | 1 Pc's | |
| 253 | 8072551-36 | PLATERACK LEFT U-BASKET | 1 Pc's | |
| 256 | 8075663-95 | Trim Rail XL/XXL | 1 Pc's | |
| 259 | 8076619-36 | wine glass cup shelf divider | 2 Pc's | |
| 264 | 8076632-77 | Holder | 3 Pc's | |
| 266 | 8079130-36 | PLATERACK SHORT&THIN LEFT | 1 Pc's | |
| 269 | 8079131-36 | PLATERACK SHORT&THIN RIGHT | 1 Pc's | |
| 272 | 8079123-36 | PLATERACK SHORT LEFT D-GREY | 1 Pc's | |
| 273 | 8079124-36 | PLATERACK SHORT RIGHT D-GREY | 1 Pc's | |
| 275 | 8070614 | SEALING STRIPE TRIM STRIPE USA | 2 Pc's | |
| 276 | 8801330-77 | HANDLE U-BASKET COMPL. ASKO | 1 Pc's | |
| 277 | 8801332-77 | HANDLE LOWER BASKET COMPL. | 1 Pc's | |
| 278 | 8072764-36 | GLASS SUPPORT D-GREY | 1 Pc's | |
| 278 | 8079144-36 | GLASS SUPPORT D-GREY | 1 Pc's | |
| 284 | 8079138 | BRACKET RIGHT ADJUSTABLE BASK | 1 Pc's | |
| 285 | 8079139 | BRACKET LEFT ADJUSTABLE BASK | 1 Pc's | |



Control Panel & Related parts

ASKO, D5233 XXL US - SS #10752331121 (DW70.3)

| Pos | Spare part No. | Description | Qty | Comment |
|-----|----------------|--------------------------------|--------|---------|
| 601 | 8079543-UL | PANEL HIGH DOOR DW70 | 1 Pc's | |
| 602 | 8082884 | PROG.INFO.LABEL 3KN AUT/DEL US | 1 Pc's | |
| 603 | 8082879-81 | LENS ASKO D5233 (70.3) GRAPHIC | 1 Pc's | |
| 604 | 8074277 | SPRING MAIN SWITCH | 1 Pc's | |
| 607 | 8801365 | Control Unit DW70.3 | 1 Pc's | |
| 609 | 8073782 | MAIN PUSH SWITCH | 1 Pc's | |
| 610 | 8079517 | CABLE SET THERMIST DW70.3.4.5 | 1 Pc's | |
| 614 | 8078068 | CABLE SET CIRC.PUMP INL.VALVE | 1 Pc's | |
| 616 | 8078064 | CABLE SET FLOW PRESSURE TURB. | 1 Pc's | |
| 618 | 8078070 | CABLE SET POWER | 1 Pc's | |
| 620 | 8075730 | cable set fan | 1 Pc's | |
| 622 | 8078063 | CABLE SET DRAIN | 1 Pc's | |
| 629 | 8081633-81 | PUSHBUTTON MAINSW. DW70.3 GRAP | 1 Pc's | |
| 644 | 8073670 | Lock Complete Integrated | 1 Pc's | |
| 651 | 8073836 | MICROSWITCH DOOR | 0 Pc's | |
| 654 | 8082880-81 | PUSH BUTTONS ASKO 70.3 3KN GR. | 1 Pc's | |
| 690 | 8082538 | INSTRUCTIONS D5233 USA XXL ENG | 1 Pc's | |
| 690 | 8082539 | INSTRUCTIONS D5233 USA XXL FR | 1 Pc's | |
| 690 | 8083179 | INSTRUCTIONS D5233 USA XXL ENG | 1 Pc's | |
| 690 | 8083180 | INSTRUCTIONS D5233 USA XXL FR | 1 Pc's | |



Inner door, panel and related parts

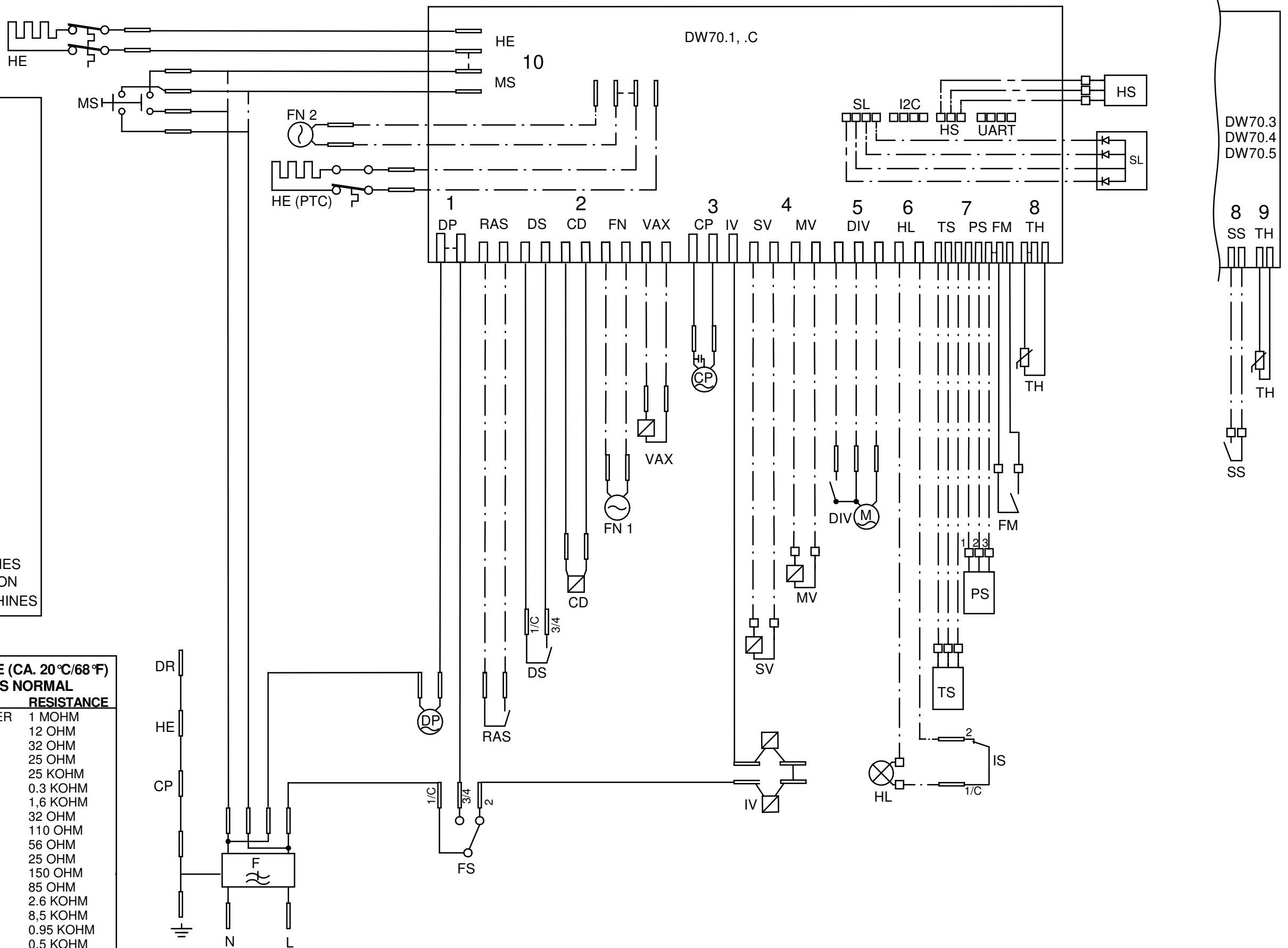
ASKO, D5233 XXL US - SS #10752331121 (DW70.3)

| Pos | Spare part No. | Description | Qty | Comment |
|------------|-----------------------|----------------------------------|------------|----------------|
| 501 | 8801380 | Door Inner w/Fan XXL DW70 | 1 Pc's | |
| 501-a | 8900646 | Screw 20 Torx SS | 6 Pc's | |
| 501-b | 8902121 | Screw | 4 Pc's | |
| 502 | 8073851 | Fan Complete 120V | 1 Pc's | |
| 502-a | 8058501 | ORing Turbo Fan Dry 05/06 DW | 1 Pc's | |
| 502-b | 8052778 | WAX MOTOR DW 05/06 | 1 Pc's | |
| 504 | 8801343-77 | KIT Combi Dispenser 120V | 1 Pc's | |
| 504-a | 8071916 | SEAL,DET.COMPLID repl by 8071918 | 1 Pc's | |
| 504-b | 8071917 | CAP RINSE AGENT | 1 Pc's | |
| 504-c | 8071918 | Detergent Lid Complete | 1 Pc's | |
| 504-d | 8072288 | Sealing Strip Combi Disp. | 1 Pc's | |
| 504-f | 8902087 | Screw Plastic Housing 20 Torx | 6 Pc's | |
| 505 | 8078004 | Hinge Right DW70 | 1 Pc's | |
| 506 | 8078005 | Hinge Left DW70 | 1 Pc's | |
| 507 | 8057530 | Screw hinge 05 | 2 Pc's | |
| 507-a | 33500262 | Nut Term Block | 2 Pc's | |
| 508 | 8057948 | Slide washer hinge bearing 05 | 2 Pc's | |
| 509 | 8078040 | Air Channel DW70 | 1 Pc's | |
| 510 | 8060254 | Lower SealInner Door 05/06 DW | 1 Pc's | |
| 511 | 8078019-X-91 | Outer Door for Sense Hndl | 1 Pc's | |
| 511 | 8078019-K-91 | Outer Door for Tbar Hndl | 1 Pc's | |
| 511-a | 8900646 | Screw 20 Torx SS | 6 Pc's | |
| 512 | 8083321 | HANDLE SENSE 510 ASKO | 1 Pc's | |
| 512 | 8083044 | HANDLE X2 ASKO | 1 Pc's | |
| 522 | 8057964 | Locking ring turbo fan 05 | 1 Pc's | |
| 522-a | 8902085 | Screw 20T for Plastic | 2 Pc's | |
| 523 | 8057983 | Brace | 1 Pc's | |
| 523-a | 8900646 | Screw 20 Torx SS | 2 Pc's | |
| 523-b | 8902357 | Screw | 2 Pc's | |
| 526 | 8058484 | SS Coverplate Turbo Fan DW | 1 Pc's | |
| 526-a | 8902085 | Screw 20T for Plastic | 2 Pc's | |
| 529 | 8074278 | Bracket for harness | 1 Pc's | |
| 531 | 8074258 | Sound Absorbtion Outer Door | 1 Pc's | |
| 542 | 8076966 | COVER, CABLES | 1 Pc's | |
| 551 | 8079584-33 | Air Channel Nozzle DW70 | 1 Pc's | |
| 552 | 8083021 | COVER COMBI DISPENSER | 1 Pc's | |

- CD: COMBI DISPENSER
 - CP: CIRCULATION PUMP
 - DIV: WATER DIVERTER VALVE
 - DP: DRAIN PUMP
 - DR: DOOR
 - DS: DOOR SWITCH
 - F: FILTER
 - FM: FLOW METER
 - FN 1: FAN DOOR
 - FN 2: FAN BOTTOM
 - FS: FLOAT SWITCH
 - HE: HEATING ELEMENT
 - HE (PTC): HEATING ELEMENT PTC
 - HL: HALOGEN LAMP
 - HS: HUMIDITY SENSOR
 - IS: ILLUM. SWITCH
 - IV: INLET VALVE
 - I2C: I2C
 - MS: MAIN SWITCH
 - MV: MIX VALVE
 - PS: PRESSURE SENSOR
 - RAS: RINSE AID SENSOR
 - SL: STATUS LIGHT
 - SS: SALT SENSOR
 - SV: SALT VALVE
 - TH: THERMISTOR
 - TS: TURBIDITY SENSOR
 - UART: UART
 - VAX: VAX ACTUATOR
- WIRES IN ALL MACHINES
 - - - INTERNAL CONNECTION
 - · - WIRES IN SOME MACHINES

RESISTANCES AT ROOM TEMPERATURE (CA. 20°C/68°F)
VALUES WITH +/-10% ARE REGARDED AS NORMAL

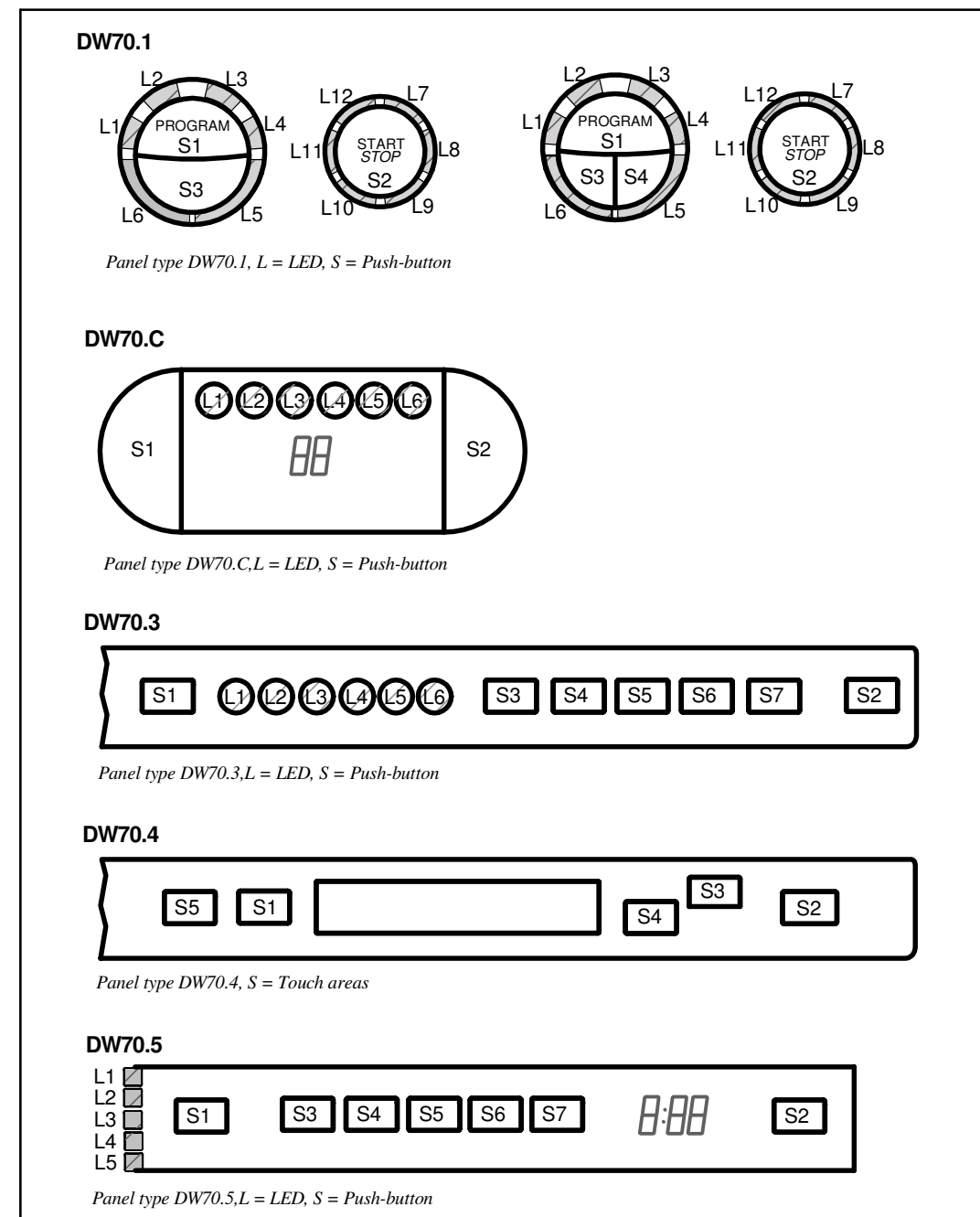
| COMPONENT | RESISTANCE |
|---------------------------------------|------------|
| RADIO INTERFERENCE SUPPRESSION FILTER | 1 MOHM |
| HEATING ELEMENT 1200W 120V | 12 OHM |
| HEATING ELEMENT 1600W 230V | 32 OHM |
| HEATING ELEMENT 2040W 230V | 25 OHM |
| THERMISTOR | 25 KOHM |
| COMBINED DISPENSER 120V | 0.3 KOHM |
| COMBINED DISPENSER 230V | 1,6 KOHM |
| CIRCULATION PUMP 120V 60HZ | 32 OHM |
| CIRCULATION PUMP 230V 50HZ | 110 OHM |
| CIRCULATION PUMP 220V 60HZ | 56 OHM |
| DRAIN PUMP 120V 60HZ | 25 OHM |
| DRAIN PUMP 230V 50HZ | 150 OHM |
| DRAIN PUMP 230V 60HZ | 85 OHM |
| SPRAY ARM DIVIDER 120V 60HZ | 2.6 KOHM |
| SPRAY ARM DIVIDER 230V 50/60HZ | 8,5 KOHM |
| INLET VALVE SINGLE INCL. 120V | 0.95 KOHM |
| INLET VALVE SAFETY INCL. 120V | 0.5 KOHM |
| INLET VALVE SINGLE INCL. 230V | 3,9 KOHM |
| INLET VALVE SAFETY INCL. 230V | 2 KOHM |
| SALT VALVE 120V | 0,65 KOHM |
| MIX VALVE 120V | 0,65 KOHM |
| SALT VALVE 230V | 3 KOHM |
| MIX VALVE 230V | 2,3 KOHM |
| HALOGEN LAMP 5W 12V | <10 KOHM |
| WAX MOTOR | 1.1 KOHM |
| FAN MOTOR 120V | 0.18 KOHM |
| FAN MOTOR 230V | 0,85 KOHM |



CIRCUIT DIAGRAM DW70.1, .3, .4, .5, .C
80 796 55 - 01

This document must not be copied without our written permission, and the contents thereof must not be imparted to a third party nor be used for any unauthorized purpose. Contravention will be prosecuted. Asko Appliances AB

Displays



TOTAL RESET

TURN OFF MAIN SWITCH
 WAIT FOR AT LEAST 5 SECS
 HOLD PROGRAM BUTTON (S1), FOR DW70.4 HOLD PROGRAM BUTTON (S1)
 AND NAVIGATION BUTTON (S4).
 TURN ON MAIN SWITCH
 RELEASE PROGRAM BUTTON (S1), FOR DW70.4 RELEASE PROGRAM BUTTON (S1)
 AND NAVIGATION BUTTON (S4).

SERVICE MENU

TURN OFF MAIN SWITCH
 WAIT FOR AT LEAST 5 SECS
 HOLD PROGRAM AND START BUTTONS (S1 & S2)
 TURN ON MAIN SWITCH
 RELEASE PROGRAM AND START BUTTONS (S1 & S2)

VARIANT SETTING (NOT DW70.4)

HOLD PROGRAM AND START BUTTONS (S1 & S2)
 TURN ON MAIN SWITCH
 RELEASE PROGRAM AND START BUTTONS
 PRESS START (S2) 3 TIMES WITHIN 5 SECS
 SELECT VARIANT BY START BUTTON (S1) AND
 CONFIRM BY START BUTTON (S2)

COMPONENT TEST:

First enter Service menu.

DW70.1, DW70.3, DW70.5 and DW70.C

Component test:
 Press the Program button (S1) and index through the following components:

1. Inlet valve and mix valve (only machines with water softener)
2. Inlet valve
3. Salt valve (only machines with water softener)
4. Detergent and surfactant dispenser
5. Circulation pump
6. Heating element and circulation pump (Max 75°C)
7. Fans
8. Drain pump

DW70.4

First enter service menu.

Go to service menu step 2, Diagnostics, by pressing S4

Press (S3) to activate the following components:

1. Valve (Inlet valve and mix valve (only machines with water softener), display flowsensor value)
2. Valve (Inlet valve, display flowsensor value)
3. Salt (Salt valve, only machines with water softener)
4. Disp (Detergent and surfactant dispenser)
5. Circ (Circulation pump, display shows turbidity in Volts)
6. Heat (Heating element and circulation pump (Max 75°C))
7. Fans (display shows humidity sensor value)
8. Drain (Drain pump, display shows pressure sensor reading; 0.5-3.5 VDC)

CIRCUIT DIAGRAM DW70.1, .3, .4, .5, .C

80 796 55 - 01

This document must not be copied without our written permission, and the contents thereof must not be imparted to a third party nor be used for any unauthorized purpose. Contravention will be prosecuted.
 Asko Appliances AB