

ASKO
BUILT TO LAST LONGER

Spare Parts Catalogue

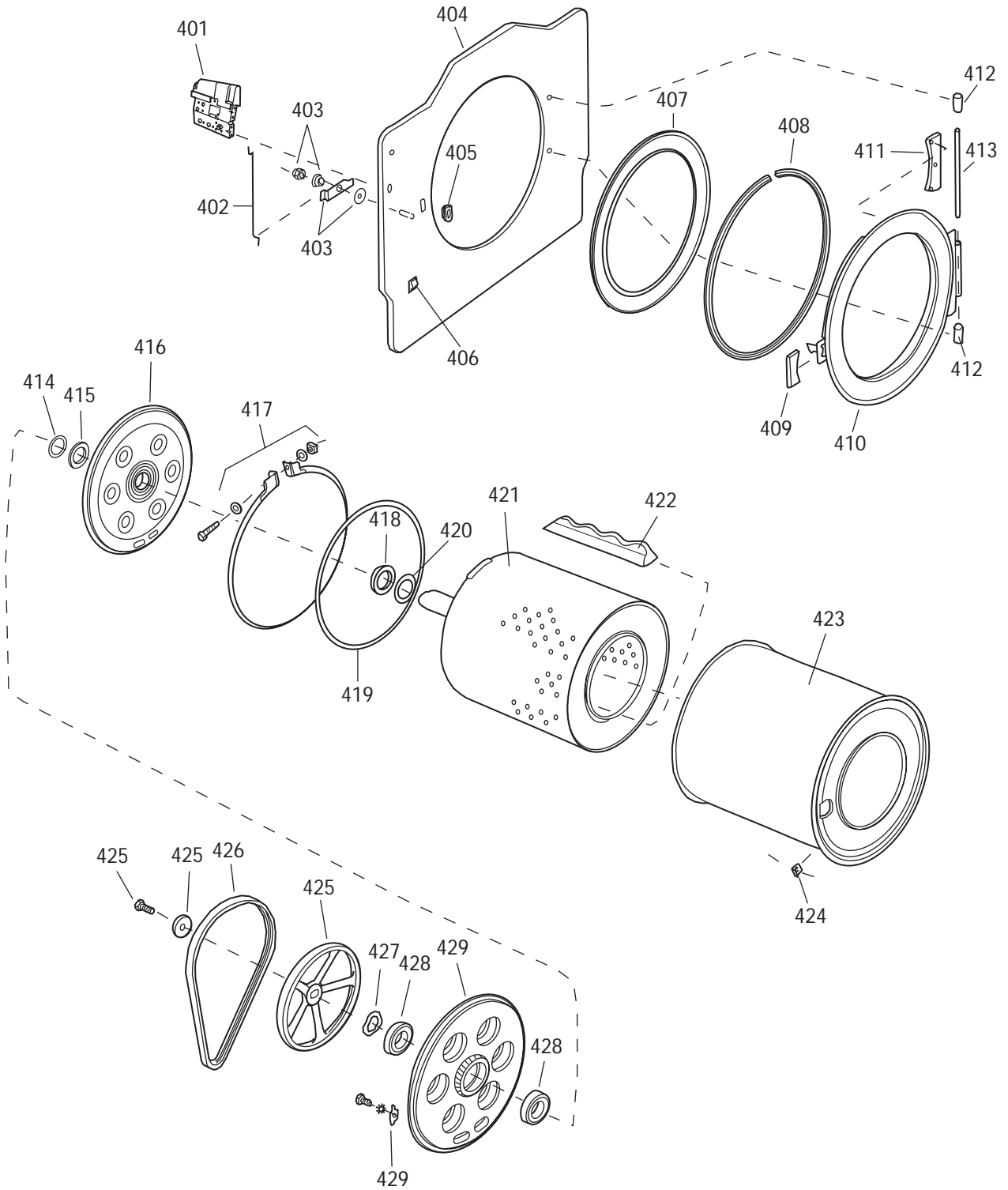
ASKO Washing Machines \ ASKO 05 Generation
Type: WM140US
Model: 11505 US white

Prod. No: 10711505

January 16th 2013

ASKO Appliances Inc.

4001 E Plano Parkway #1004001 E Plano Parkway #100
Plano, Texas 75074



Cylinder & Container

ASKO, 11505 US - white (WM140US)

Pos	Spare part No.	Description	Qty	Comment
401	8055473	Door Switch - DW 05/06	1 Pc's	
401	8057594	LOCK COMPL. FRONTWASHER	1 Pc's	
401-a	8902362	Screw 20 Torx Self Tapping	4 Pc's	
402	8007879	Pull Rod	1 Pc's	
403	8055209	Lock Release	1 Pc's	
403-a	33202756	Bushing Door Lock 03/05	1 Pc's	
403-b	33256918	Spacer - Door Lock	1 Pc's	
403-c	8901192	Locking Nut WM 03/05	1 Pc's	
404	8008149-0	Cover Plate White	1 Pc's	
404-a	33525519	WASHER 5.3X13X1.0 FZB	2 Pc's	
404-b	8900950	SCREW M6S 8.8 M5X8 S-LOCK	2 Pc's	
405	33302953-0	Bushing Door Catch WM 03/04/05	1 Pc's	
406	8002498	Cable Bracket	1 Pc's	
407	8056351	NLA - Door Seal Washer 02/05	1 Pc's	
408	33303048	LockRing Door Seal WM 03/04/05	1 Pc's	
409	8059690-0	Cover door latch 05 Laundry	1 Pc's	
410	8801106-0	Glass Door Comp. WM03/04/05	Pc's	
410	8801106-0	Glass Door Comp. WM03/04/05	Pc's	
411	8062994	Hinge Glass Door 03/05 WM	1 Pc's	
411-a	33451808	Screw	3 Pc's	
412	8801177	Hinge Bushing Serv. Kit	1 Pc's	
413	8050583	Door Hinge Shaft WM 03/04	1 Pc's	
414	8056324	O-Ring 10504	1 Pc's	
415	8056323	Throw Ring WM90 A 100A 120A	1 Pc's	
416	8058380	Rear Part Cont.	1 Pc's	
417	8801105	Svc. Kit WM 200	1 Pc's	
418	8056309	VRing WM80A/90/90A/100A/140A	1 Pc's	
419	8062049	Seal Rear Washer Pane WM	1 Pc's	
421	8056316	Cylinda Out 10504	1 Pc's	
422	8053858	Drum Paddle WM 04/05	3 Pc's	
422-a	8902090	Screw	3 Pc's	
423	8056414	container 10504	1 Pc's	
424	8055677	Holder - Cover Plate	4 Pc's	
424-a	8901002	Screw	4 Pc's	
424-b	8901430	Spring Washer	4 Pc's	
425	8056376	Pulley for Drum WM	1 Pc's	
425-a	8057209	Washer Level Leg DW	1 Pc's	
425-b	8901052	Screw	1 Pc's	
426	8052054	Belt Antistatic WM200 A	1 Pc's	
427	8056810	Wave Washer - WM	1 Pc's	
428	8056314	Bearing Comp. WM Rear Panel	2 Pc's	
429	8056311	Rear Wall - 10504	1 Pc's	
429-a	33700183	Terminal	1 Pc's	
429-b	8901097	Screw Terminal	1 Pc's	
429-c	8901413	Lock Washer laundry tops	1 Pc's	

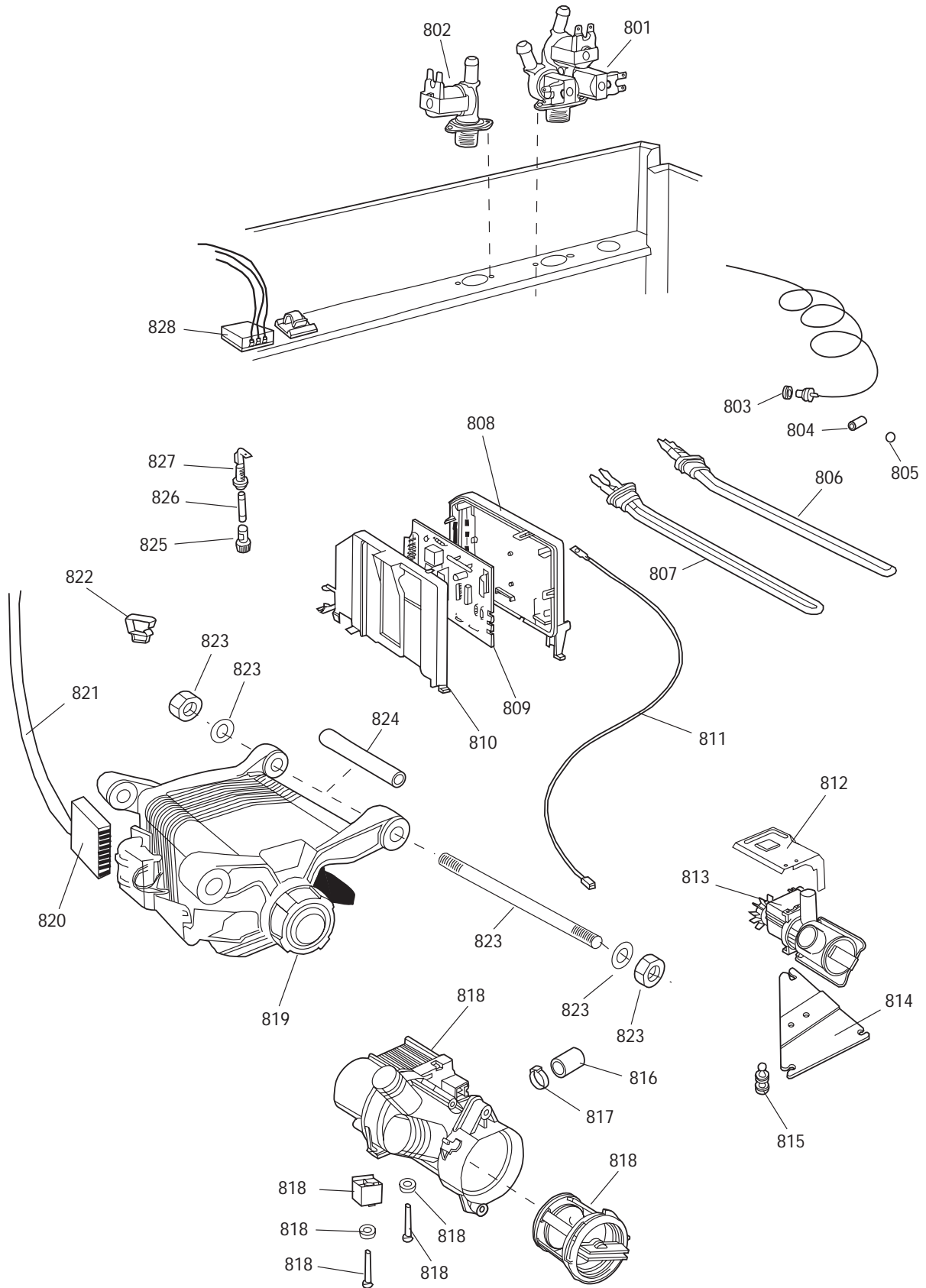
Datum

2003-05-02

Date

ELEKTRISK UTRUSTNING

ELECTRICAL EQUIPMENT



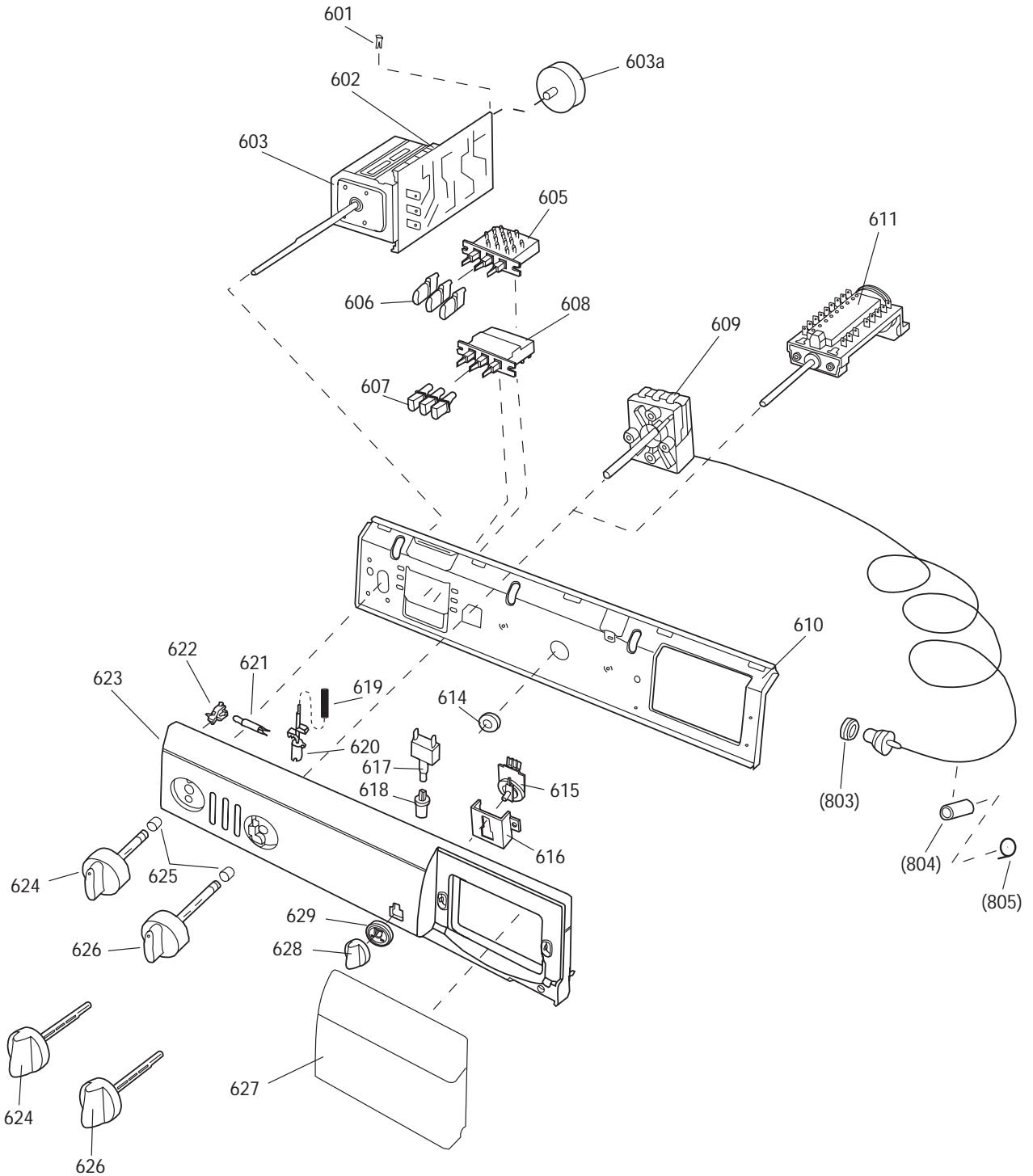
Electric Parts Lower Section

ASKO, 11505 US - white (WM140US)

Pos	Spare part No.	Description	Qty	Comment
801	8008003	Fill Valve 03/05 W/O Clamps WM	1 Pc's	
801-a	8901097	Screw Terminal	2 Pc's	
801-b	8901413	Lock Washer laundry tops	2 Pc's	
803	33651658	T'Stat Seal	1 Pc's	
804	8002259	Plastic Hose	2 Pc's	
805	33700450	Cable Strip	2 Pc's	
806	8058402	Heater WM 1800W 04/05 WM	1 Pc's	
807	8058403	Heater Washer 1200W WM	1 Pc's	
818	8801169	Drain Pump Kit (no housing or insert)	1 Pc's	Does not include Housing or Insert Kit 8801069
818-a	8058667	SPACER FOR OUTLET PUMP	1 Pc's	
818-b	8801069	Pump Insert-05 WM	1 Pc's	Pump Insert only
818-c	8801173-1	Pump Housing kit w/insert	1 Pc's	Pump housing, insert, clamps
818-d	8901008	Screw	1 Pc's	
818-e	8901430	Spring Washer	1 Pc's	
819	8063733	MOTOR	1 Pc's	
819-a	8801097	Brush to Motor Chk Model WM	1 Pc's	
822	8058680	Holder Cable	3 Pc's	
823	8063591	Screw	2 Pc's	
823-a	8901155	Nut	2 Pc's	
823-b	8901193	Locking Nut	2 Pc's	
823-c	8901337	Washer	2 Pc's	
824	8058261	Spacer Tube Motor 05 WM	2 Pc's	
825	8801354	Fuse Holder Assembly	2 Pc's	For units produced before wk 34 2002
827	8801354	Fuse Holder Assembly	2 Pc's	For units produced before wk 34 2002

PANEL

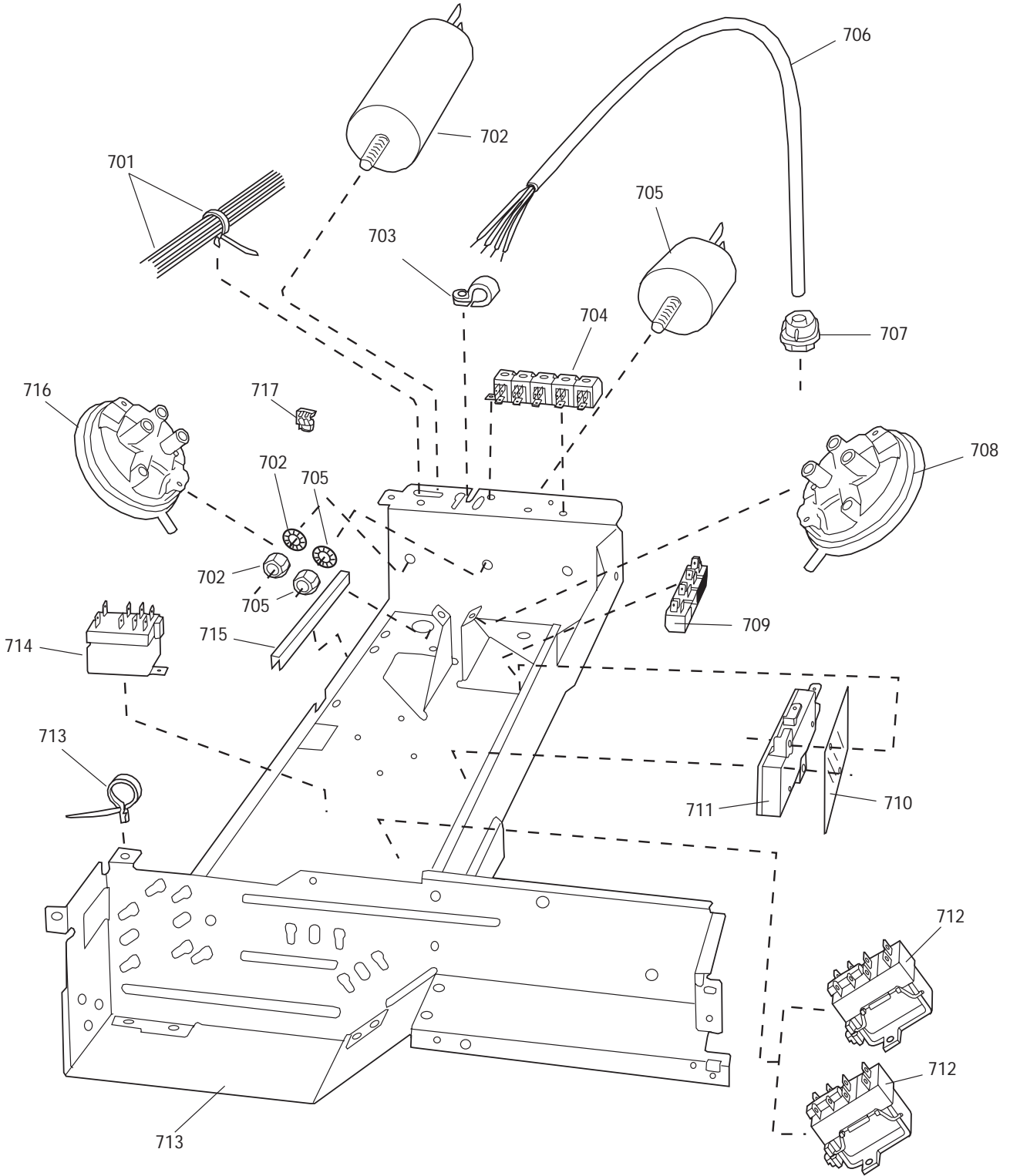
CONTROL PANEL AND RELATED PARTS



Control/Facial Panel

ASKO, 11505 US - white (WM140US)

Pos	Spare part No.	Description	Qty	Comment
601	8902285	Terminal Crimp	6 Pc's	
602	8902302	Crimp Terminal	1 Pc's	
602	8902303	Terminal Crimp	1 Pc's	
602	8902304	Terminal Crimdisc.jh 11-99	1 Pc's	
602	8902305	Terminal Crimpdisc.jh11-99	1 Pc's	
602	8902329	Timer Housedisc.jh11-99	1 Pc's	
602	8902306	Terminal Crimdisc.jh11-99	1 Pc's	
602	8902307	Terminal Crimp	1 Pc's	
603	8062309	TIMER WM140 UL4	1 Pc's	
603-a	8052541	TIMER Motor	1 Pc's	
603-b	8900025	SCREW MCS M4x5 FZB	2 Pc's	
605	8062064	Push Button Switch	1 Pc's	
605-a	8900027	Screw	2 Pc's	
605-b	8901242	Nut	2 Pc's	
606	8059703-0	Push Button gen. 05 Upper Part	3 Pc's	
607	8059704-0	Push Button gen. 05 Lower Part	2 Pc's	
607	8061515-0	PUSH BUTTON (LOWER) DOOR OPENING	1 Pc's	
608	8062065	Push Button Switch	1 Pc's	
608-a	8900027	Screw	2 Pc's	
608-b	8901242	Nut	2 Pc's	
609	8062104	TERMOSTAT 40/60/71	1	
610	8062035	Front Beam WM 05	1 Pc's	
610-a	8900027	Screw	4 Pc's	
610-b	8902362	Screw 20 Torx Self Tapping	5 Pc's	
610-c	8901413	Lock Washer laundry tops	2 Pc's	
611	8059620	Rotary Switch	1 Pc's	
621	8060478	Ind. Lamp 600's WM	1 Pc's	
622	8060415	Lens Ind. WM80/90/100/120/70	1 Pc's	
623	8060752-0-UL	Control Panel w/Handle 11505	1 Pc's	
624	8060680-0	Knob Timer 05 White WM	1 Pc's	
626	8062266-0	Knob temp 10505 12505 13605	1 Pc's	
627	8059677-0-UL	Handle Det Comp WH 05 WM	1 Pc's	



Electric Parts Upper Section

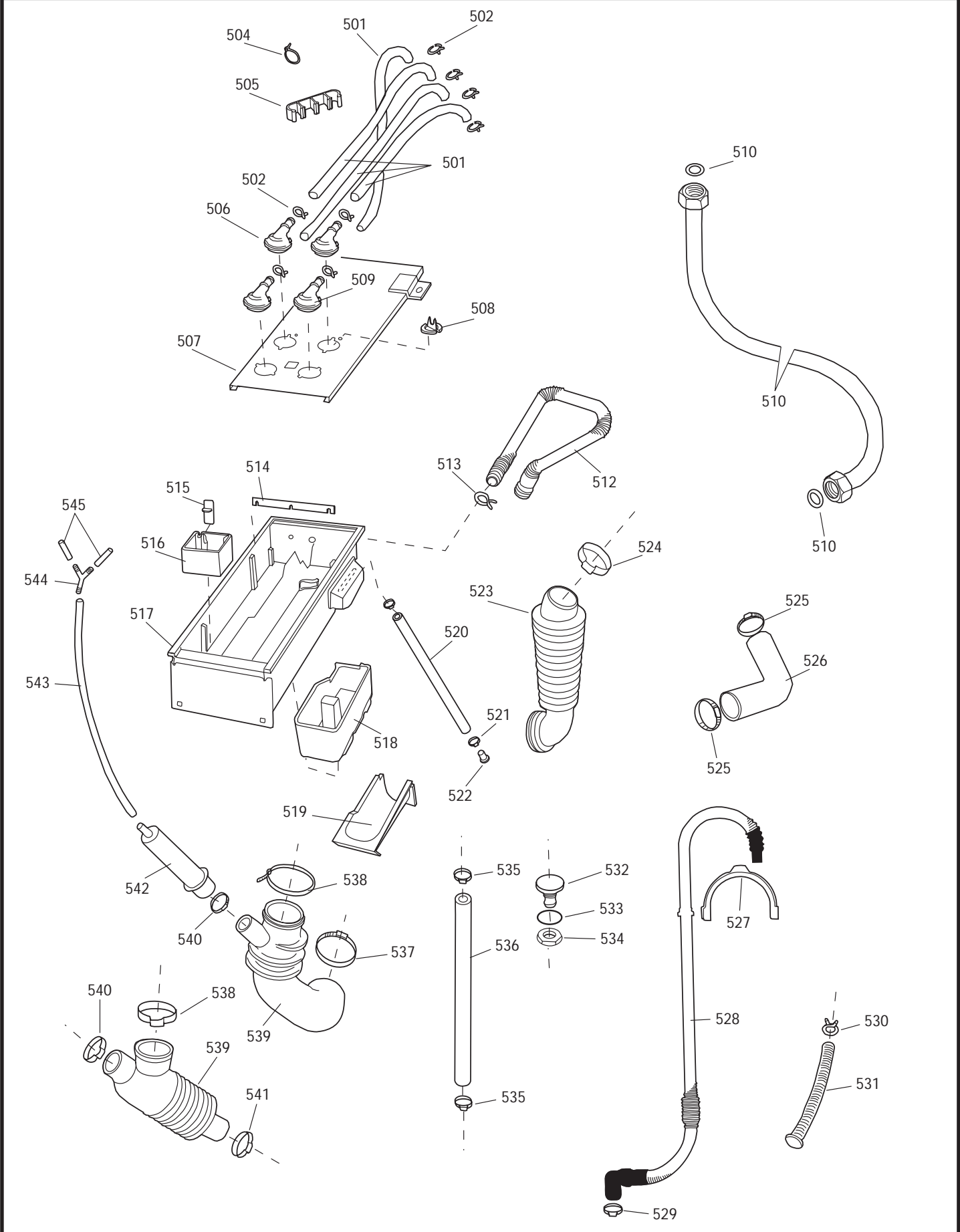
ASKO, 11505 US - white (WM140US)

Pos	Spare part No.	Description	Qty	Comment
701	8060975-UL	Cable Fuse Holder	1 Pc's	
701	8062926-UL	Basic Harness 11505	1 Pc's	
702	8058558	RFI 05/06 WM	1 Pc's	
703	8001435	Cable Bracket	1 Pc's	
704	8050250	TERMINAL BLOCK Inside WM/TD	1 Pc's	
704-a	8901413	Lock Washer laundry tops	1 Pc's	
704-b	8902131	Screw	1 Pc's	
706	8060956	Cord Set UL 250V/20A	1 Pc's	
707	8006948	Grommet	1 Pc's	
708	8061593	Level Switch WM.	1 Pc's	
708-a	8902042	Screw Protective Cover Dryer	1 Pc's	
710	8061495	Insul.	1 Pc's	
711	8054295	Lock Relay Door WM 200	1 Pc's	
711-a	8900311	Screw	2 Pc's	
713	8061492	Bracket Comp.	1 Pc's	
713-a	8054485	Cable Strip	1 Pc's	
713-b	8902362	Screw 20 Torx Self Tapping	2 Pc's	
713-c	8901413	Lock Washer laundry tops	1 Pc's	
715	8058703	PROTECTION	1 Pc's	

Datum
 2003-05-02
 Date

TVÄTTSYSTEM

WASHING SYSTEM



Washing System

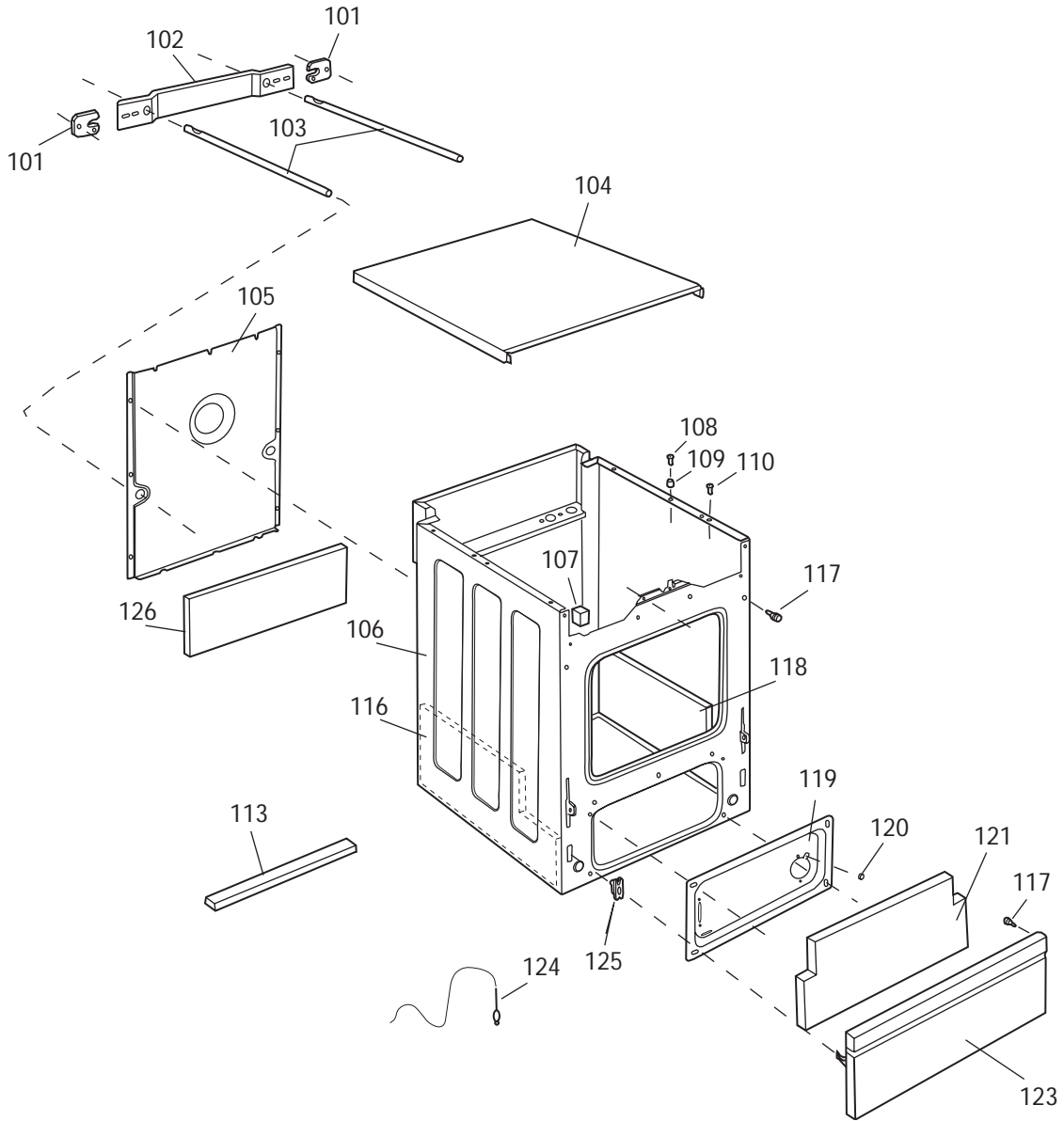
ASKO, 11505 US - white (WM140US)

Pos	Spare part No.	Description	Qty	Comment
501	8050535	Rubber Hose	3 Pc's	
502	8056656	Cable Tie	6 Pc's	
504	8002263	Cable Strip	1 Pc's	
506	8008027	Spray Head WM 03/05	2 Pc's	
507	8056484	Holder - Det Comp	1 Pc's	
507-a	8900026	Screw Nickel flathead	1 Pc's	
507-b	8901242	Nut	1 Pc's	
508	8051646	Hose Holder	1 Pc's	
509	8056638	Spray Head - Washer	1 Pc's	
510	8056950	Fill Hose Pex WM	1 Pc's	
510-a	33700738	Seal	2 Pc's	
512	8056112	Vent Hose WM	1 Pc's	
513	8052730	Hose Clip	1 Pc's	
514	33251781	Subs to 8050633	1 Pc's	
515	8009512	Siphon Tube	1 Pc's	
516	8050551	Disp. Fab. Softener 03/05 WM	Pc's	
516	8050551	Disp. Fab. Softener 03/05 WM	Pc's	
517	8056499-UL	Det. Comp Washer 05	1 Pc's	
518	8051665	detergent Cup Washer	1 Pc's	
520	8056623	Hose Spillway Overflow	1 Pc's	
521	8054196	Clamp	2 Pc's	
522	8053187	Stub Bottom	1 Pc's	
523	8055114	Bellows Hose	1 Pc's	
524	8052069	Hose Clip	1 Pc's	
527	8050805	HOLDER Drain Hose	1 Pc's	
528	8056520	Outlet Hose - 10504	1 Pc's	
529	8056491	Hose Clamp Squeeze	1 Pc's	
538	8051392	Hose Clip	1 Pc's	
539	8056380	Bellows Hose Lower 04/05 WM	1 Pc's	
540	8051673	Hose Clip	1 Pc's	
541	8056471	Hose Clips	1 Pc's	
542	8007642	Pressure Chamber	1 Pc's	
543	7382670	Rubber Hose	1 Pc's	

Datum
2003-05-02
Date

HÖLJE

CASING AND RELATED PARTS



Cabinet & Related Parts

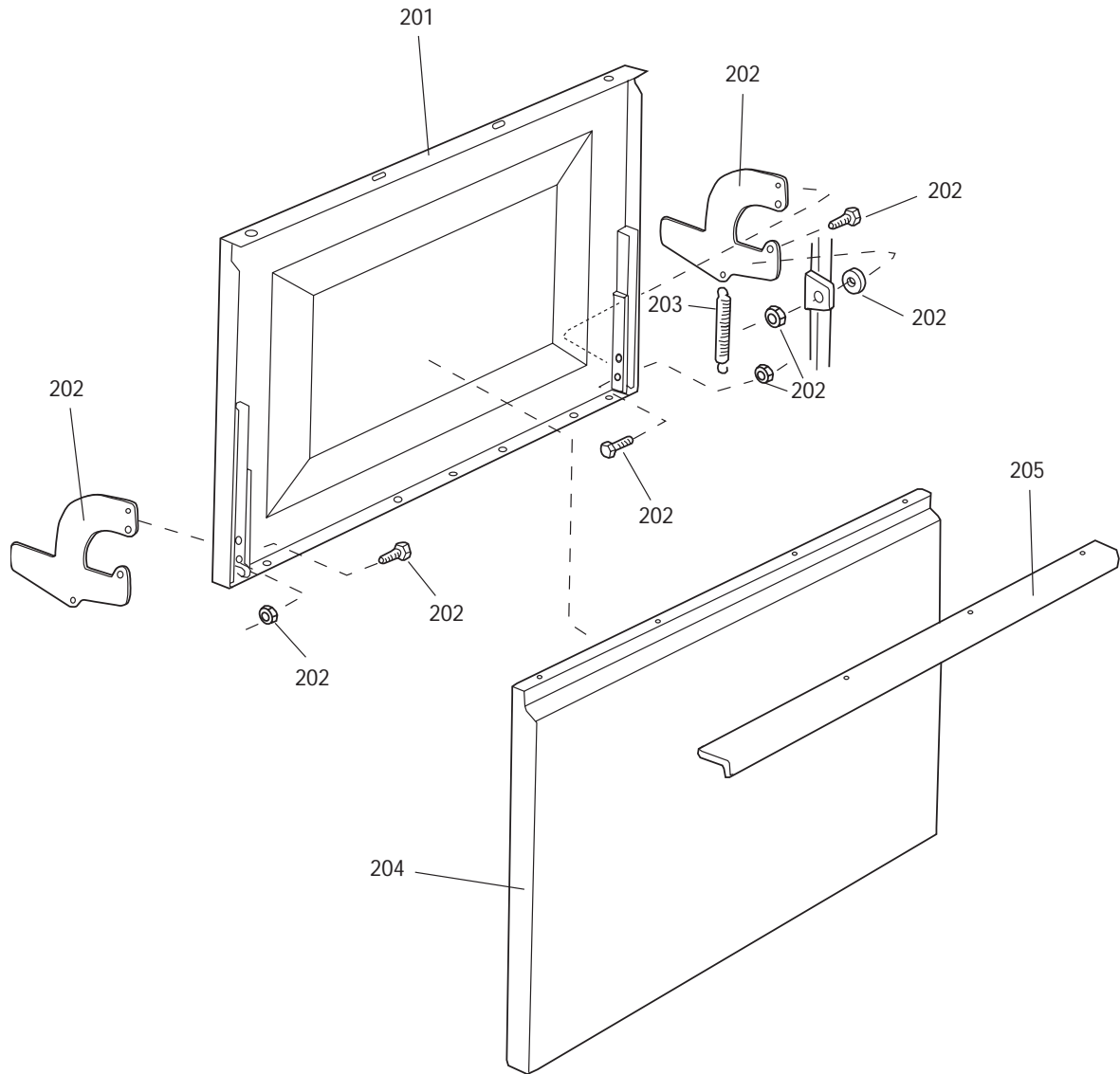
ASKO, 11505 US - white (WM140US)

Pos	Spare part No.	Description	Qty	Comment
101	8008209	Washer Shipping Security WM	2 Pc's	
101-a	8902023	Screw Plastic 25 Torx	2 Pc's	
102	8007873	No Longer available	1 Pc's	
103	8007643	No Longer Available	2 Pc's	
104	8057034-0	Top Washer 03/05	1 Pc's	
104-a	8900369	Screw T25	3 Pc's	
104-b	8901415	LOCK WASHER AZ 5.3 GALV	3 Pc's	
105	8052516	Rear Panel Washer	1 Pc's	
105-a	8900328	Screw	9 Pc's	
105-b	8901415	LOCK WASHER AZ 5.3 GALV	2 Pc's	
106	8056990-0	NOT AVAILABLE	1 Pc's	
107	8052555	Buffer	1 Pc's	
108	8901619	Pop Rivet - Det Comp	3 Pc's	
109	8059485	Securing Pin	4 Pc's	
110	8901620	POP-RIVET AL/ST 4X14Pop Rivet	1 Pc's	
113	8056469	No Longer Available	1 Pc's	
117	7382154	Rubber Buffer WM 03/05	4 Pc's	
119	8060964	Service Cover	1 Pc's	
119-a	8902362	Screw 20 Torx Self Tapping	4 Pc's	
119-b	8901413	Lock Washer laundry tops	2 Pc's	
119-c	8060929	Grommet	1 Pc's	
123	8008092-0	Lower Cover 03 W/D04/05 Wsh	1 Pc's	
125	8007658	Holder-Lower Cover 03/05 TD/WM	2 Pc's	

Datum
2003-05-02
Date

YTTERLUCKA

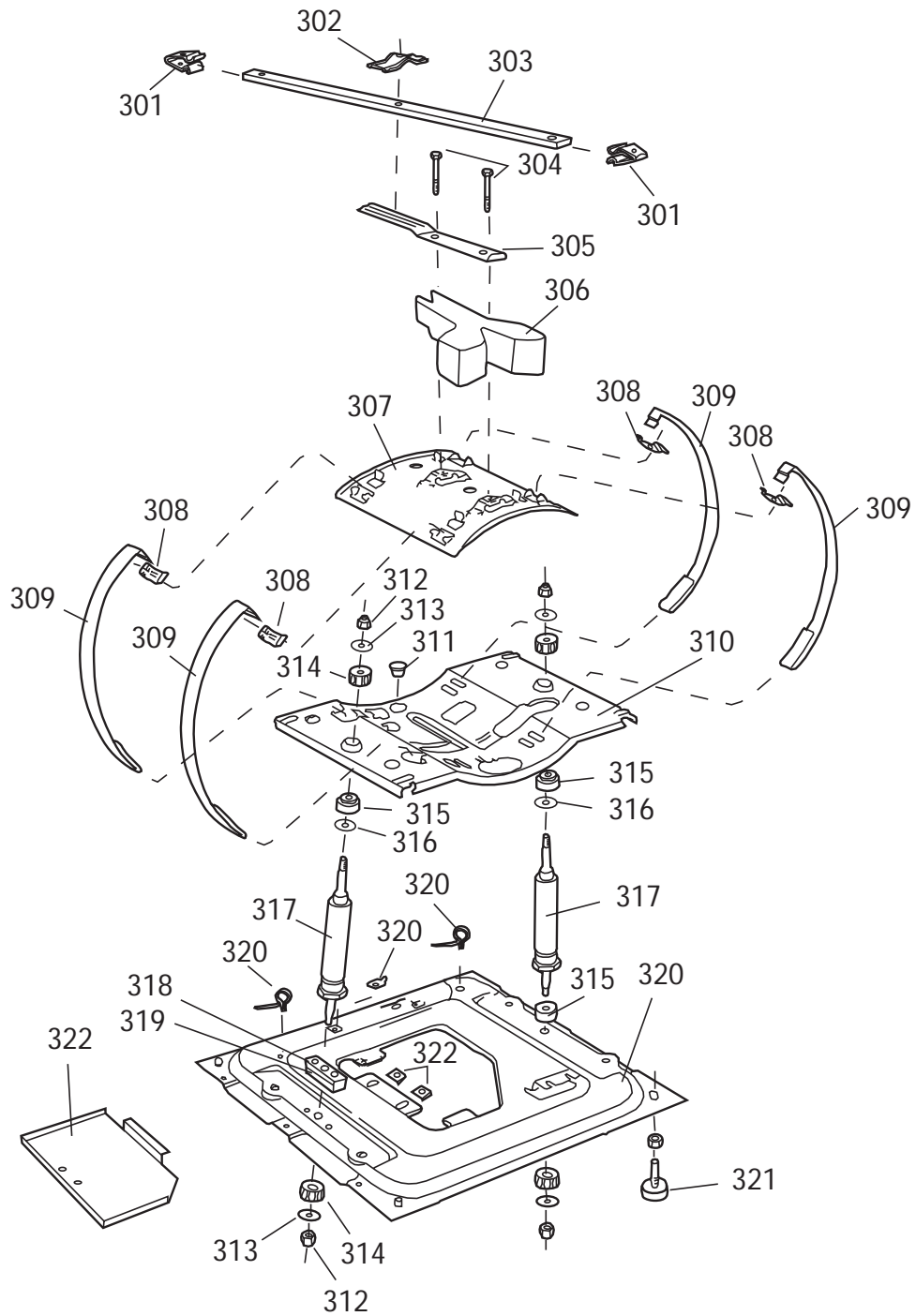
OUTERDOOR AND RELATED PARTS



Door & Related Parts

ASKO, 11505 US - white (WM140US)

Pos	Spare part No.	Description	Qty	Comment
201	8055996-0	Inner Door White	1 Pc's	
202	33958694	Hinge - Washer	2 Pc's	
202-a	7382628	Nylon Washer	2 Pc's	
202-b	8901002	Screw	4 Pc's	
202-c	8901004	Screw	2 Pc's	
202-d	8901154	NUT M6 BH8 GALV	4 Pc's	
202-e	8901192	Locking Nut WM 03/05	2 Pc's	
203	8054952	Door Spring	1 Pc's	
204	8007750-0	Outer door White	1 Pc's	
204-a	8900346	Screw	4 Pc's	
205	8056420-0	Door Handle - Washer 04	1 Pc's	
205-a	8900395	Screw	4 Pc's	

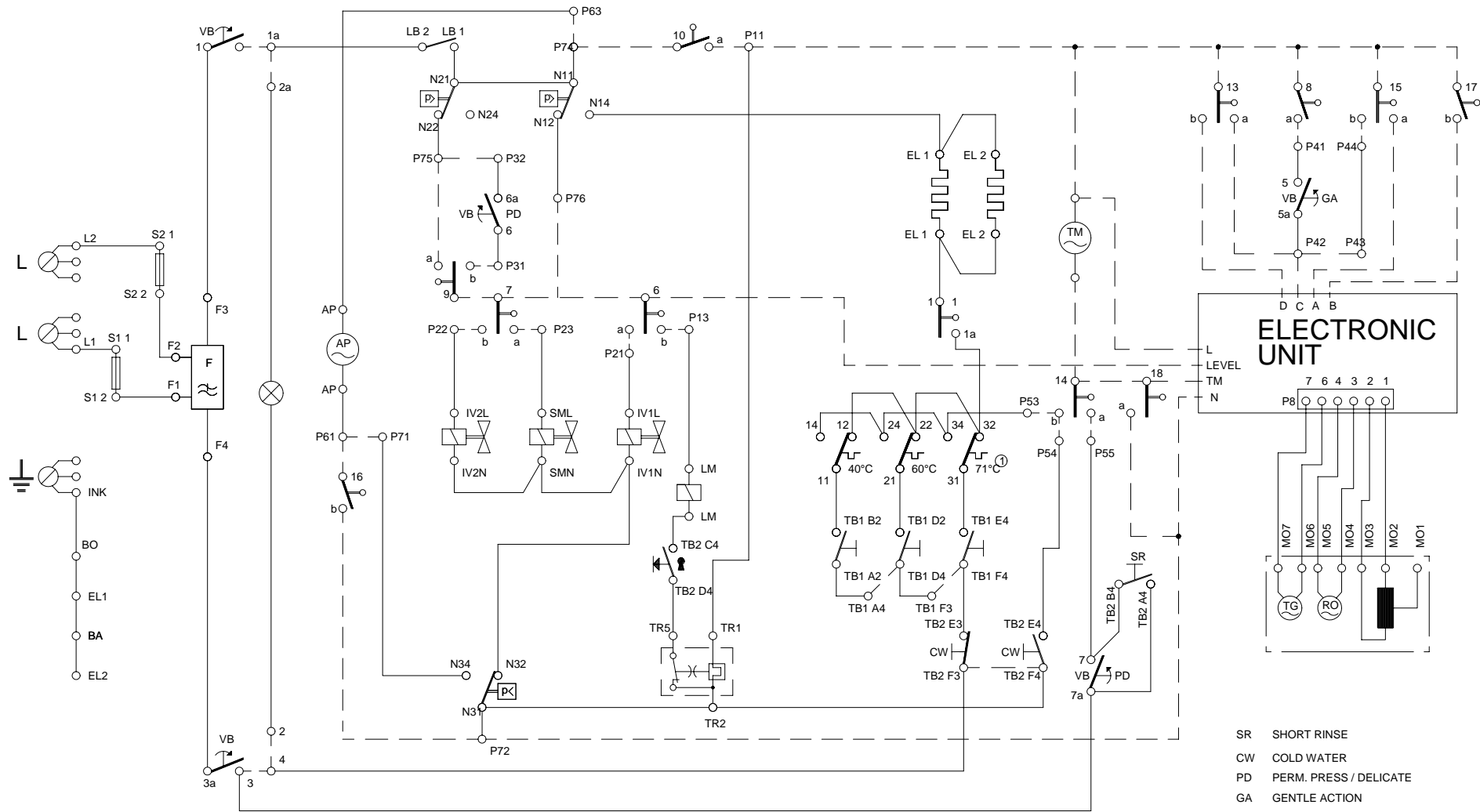
STÖDVAGGA**SUPPORT CRADLE AND RELATED PARTS**

Support Cradle

ASKO, 11505 US - white (WM140US)

Pos	Spare part No.	Description	Qty	Comment
301	8056667	Bracket - Balance Strip	2 Pc's	
301-a	8900327	Screw 20 Torx Self Tapping	2 Pc's	
302	8056668	Holder - Balance Strip	1 Pc's	
302-a	8900327	Screw 20 Torx Self Tapping	1 Pc's	
303	8056654	Balance - 10504	1 Pc's	
304	8901034	Screw	2 Pc's	
305	8007766	Spring Mount - Holder	1 Pc's	
306	8056640-1	Counter Weight 200	1 Pc's	
307	8008288	Lower Weight Bracket	1 Pc's	
308	33256329	Tub Band clip	4 Pc's	
309	33256963	Tub Bands	4 Pc's	
310	8062038	Supp Cradle Comp.	1 Pc's	
311	8055084	Plug	1 Pc's	
312	8901193	Locking Nut	4 Pc's	
313	33256445	washer	4 Pc's	
314	8051155	Rubber Buffer	3 Pc's	
315	8051156	Rubber Buffer	3 Pc's	
316	33250290	Washer	2 Pc's	
317	8801036	Spring Leg	1 Pc's	
318	8056645	U-Plate - 10504	1 Pc's	
319	8056644	Rubber Buffer disc.jh 11-99	1 Pc's	
320	8058036	NLA - Bottom/Base WM80-WM220	1 Pc's	
320-a	33700183	Terminal	1 Pc's	
320-b	8054485	Cable Strip	2 Pc's	
320-c	8900369	Screw T25	13 Pc's	
320-d	8901097	Screw Terminal	1 Pc's	
320-e	8901413	Lock Washer laundry tops	1 Pc's	
321	8059334	Leveling Leg Comp. WMD 20	4 Pc's	

KOMPLETTSCHEMA Nr: 80 623 28-1



- | | |
|-----------------------|------------------------|
| AP: DRAIN PUMP | LM: DOOR SOLENOID |
| TM: TIMER MOTOR | MO: MOTOR |
| EL1: HEATER 1 | N: LEVEL SWITCH |
| EL2: HEATER 2 | P: TIMER CONTACT |
| F: FILTER | R: RELAY |
| IL: INDICATION LAMP | T: THERMOSTAT |
| IV: INLET VALVE | TB: PUSH BUTTON SWITCH |
| SM: RINSE AGENT VALVE | VB: ROTARY SWITCH |
| LB: DOOR SWITCH | |

- SR SHORT RINSE
 CW COLD WATER
 PD PERM. PRESS / DELICATE
 GA GENTLE ACTION
- INTERN FÖRBINDNING / INTERNAL CONNECTION
 - - - ALTERNATIV KOPPLING / ALTERNATIVE WIRING

1	71°C var 80°C	H.T.	96 39
Rev ind	Revision	Appd	Year Week

Article No.	Name of item	Qty	Material, dimensions, type, etc.
Scale:	Gen. tolerance:	Description(English) CIRCUIT DIAGRAM WM 140	
Designed by P-A W	Drawn by	Description(own language) KOPPLINGSSCHEMA WM 140	
Drawing checked by	Iss by Dept	Year Week	Rev Ind Replace
	UT 96 23		80 620 63 01
ASKO CYLINDA			Replaced by