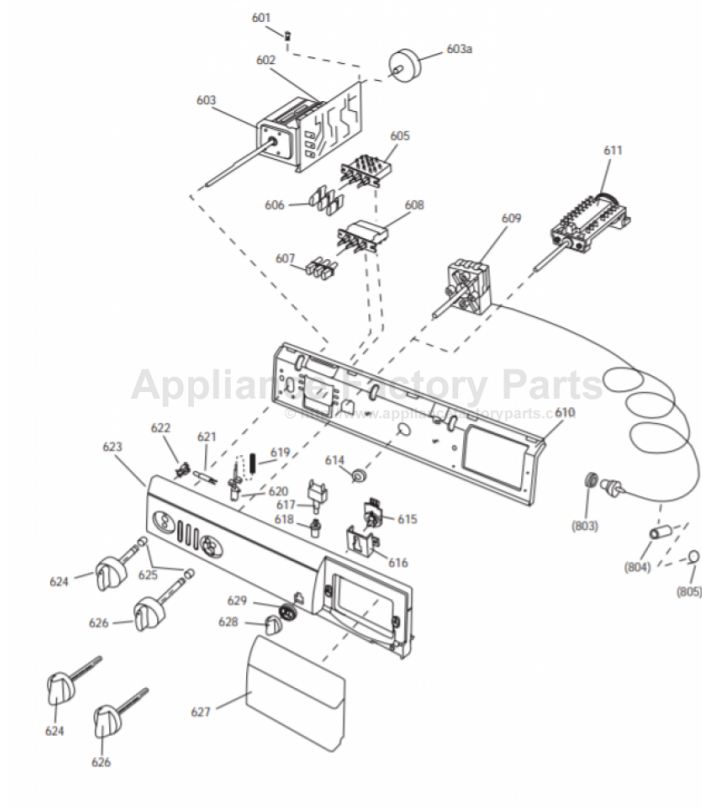


This Owner's Manual is provided and hosted by Appliance Factory Parts.



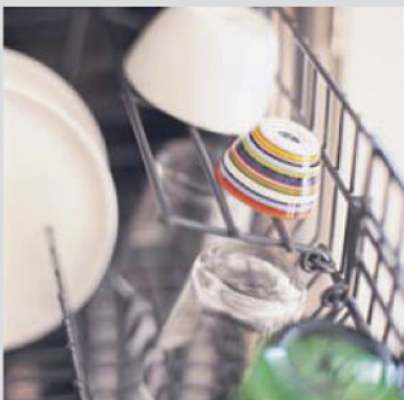
ASKO 13605 Owner's Manual

[Shop genuine replacement parts for ASKO 13605](#)



[Find Your ASKO Washer Parts - Select From 53 Models](#)

----- Manual continues below -----



Spare Parts Catalogue

ASKO Washing Machines \ ASKO 05 Generation
Type: WM120
Model: 13605 US white

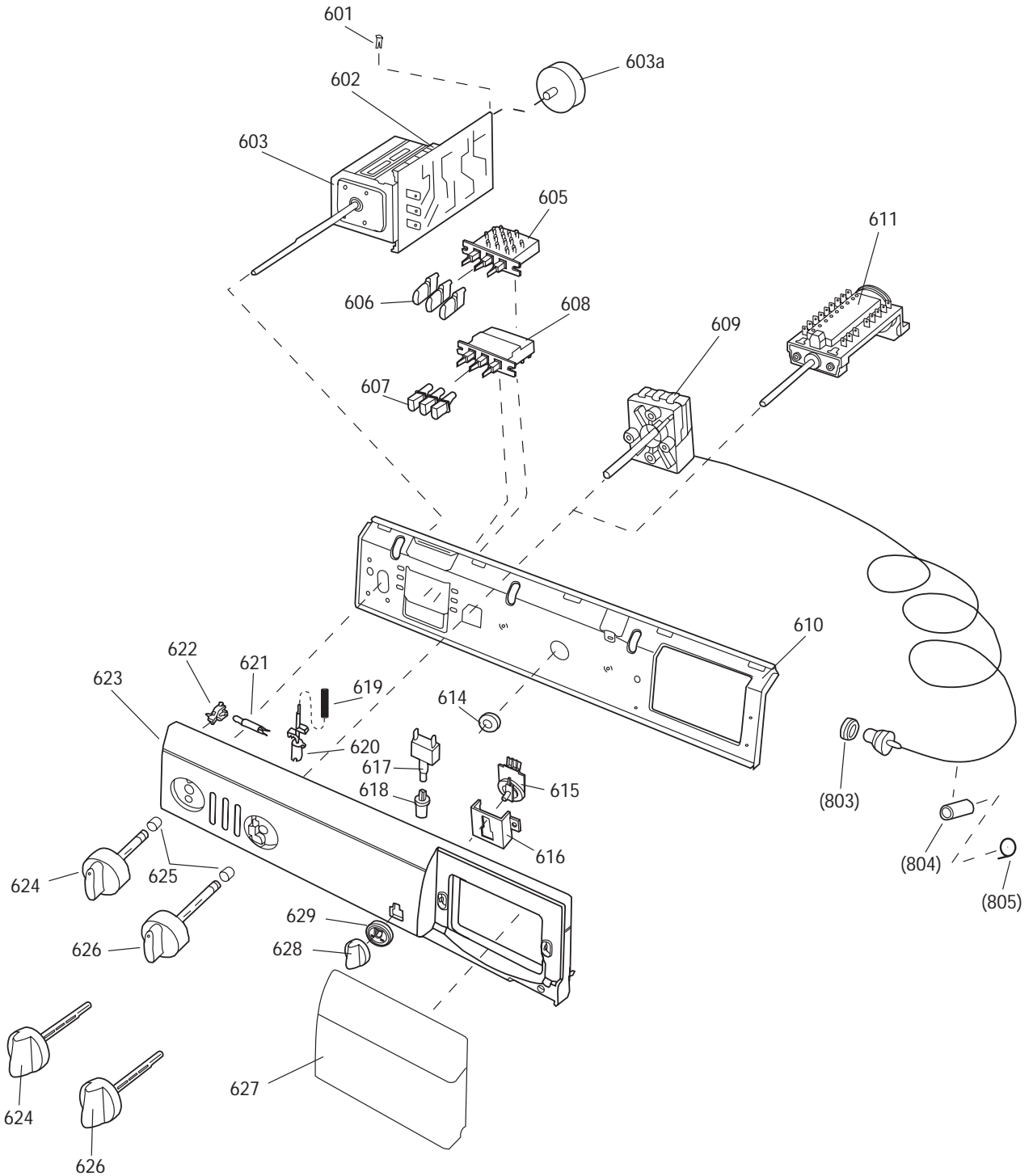
Prod. No: 10713605
January 16th 2013

ASKO Appliances Inc.

4001 E Plano Parkway #100
4001 E Plano Parkway #100
Plano, Texas 75074

PANEL

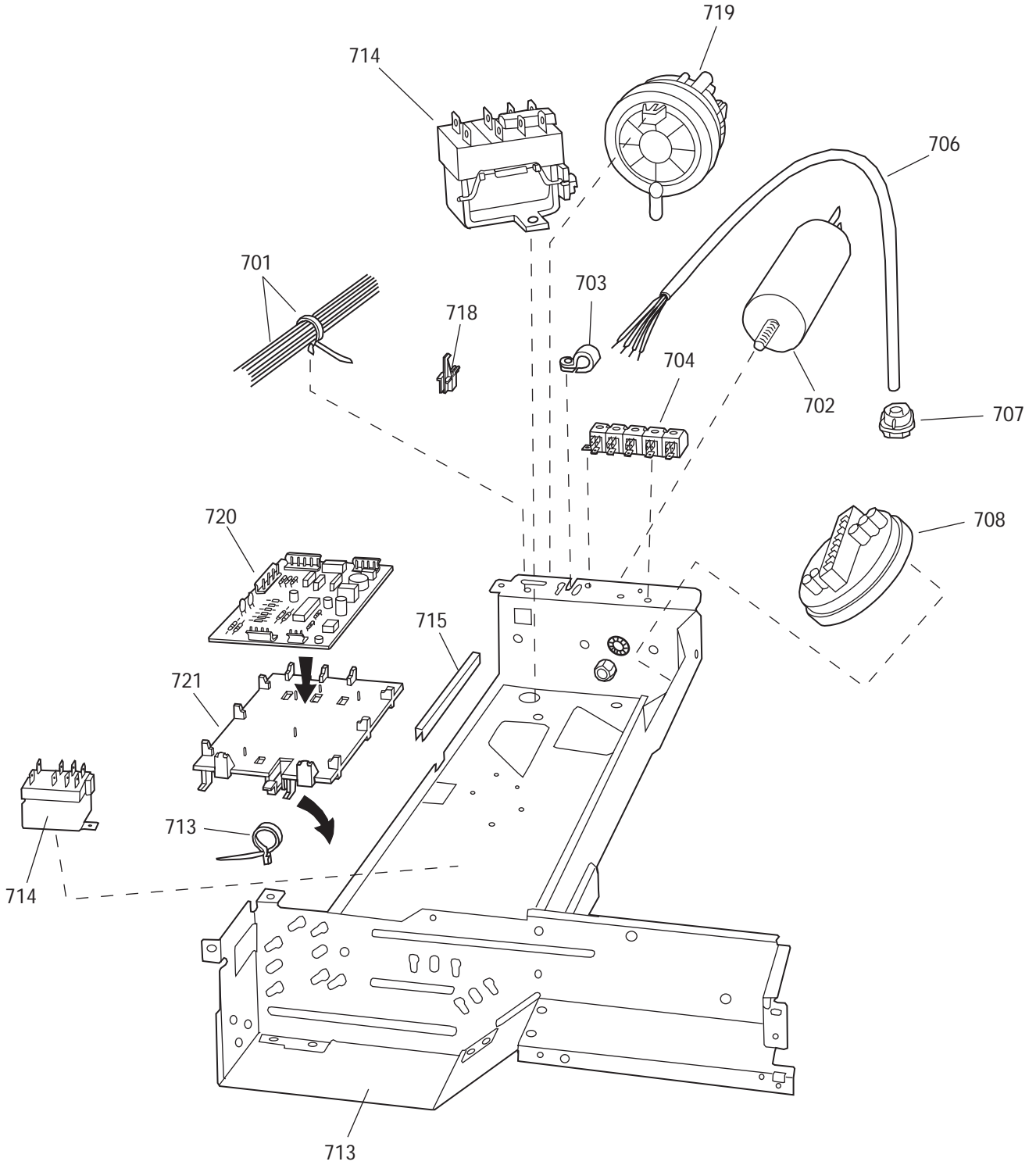
CONTROL PANEL AND RELATED PARTS



Control/Facial Panel

ASKO, 13605 US - white (WM120)

Pos	Spare part No.	Description	Qty	Comment
601	8902285	Terminal Crimp	1 Pc's	
602	8902302	Crimp Terminal	1 Pc's	
602	8902303	Terminal Crimp	1 Pc's	
602	8902304	Terminal Crimdisc.jh 11-99	1 Pc's	
602	8902305	Terminal Crimpdisc.jh11-99	1 Pc's	
602	8902329	Timer Housedisc.jh11-99	1 Pc's	
602	8902331	RAST 5 TIMERHOUSE 6-928247-5	2 Pc's	
603	8061397	Timer 13605	1 Pc's	
603-a	8052541	Timer Motor	1 Pc's	
603-b	8900026	Screw Nickel flathead	4 Pc's	
605	8061393	Push Button Switch	1 Pc's	
605-a	8901242	Nut	2 Pc's	
606	8059703-0	Push Button gen. 05 Upper Part	3 Pc's	
607	8059704-0	Push Button gen. 05 Lower Part	3 Pc's	
608	8056446	Switch Push Button 12505 Lo	1 Pc's	
608-a	8901242	Nut	2 Pc's	
609	8801068	T-Stat WM90/110/100/120	1 Pc's	
610	8062035	Front Beam WM 05	1 Pc's	
610-a	8900027	Screw	4 Pc's	
610-b	8902362	Screw 20 Torx Self Tapping	5 Pc's	
610-c	8901413	Lock Washer laundry tops	2 Pc's	
614	8060929	Grommet	1 Pc's	
615	8061392	Rotary Switch	1 Pc's	
616	8061494	Holder Speed Adjuster	1 Pc's	
616-a	8902362	Screw 20 Torx Self Tapping	1 Pc's	
617	8057941	Switch temp hi/lo DW	1 Pc's	
618	8059705-0	Push Button Main Switch WM/TD	1 Pc's	
619	8060401	Spring Safety Catch	1 Pc's	
620	8059687-0	Safety Catch 05/06 DW	1 Pc's	
621	8060478	Ind. Lamp 600's WM	1 Pc's	
622	8060415	Lens Ind. WM80/90/100/120/70	1 Pc's	
623	8062741-0-UL	Control Panel 13605 White	1 Pc's	
624	8060680-0	Knob Timer 05 White WM	1 Pc's	
626	8062266-0	Knob temp 10505 12505 13605	1 Pc's	
627	8059677-0-UL	Handle Det Comp WH 05 WM	1 Pc's	
628	8061506-0	Knob	1 Pc's	
629	8061560-0	Knob	1 Pc's	



Electric Parts Upper Section

ASKO, 13605 US - white (WM120)

Pos	Spare part No.	Description	Qty	Comment
701	8062945	ADD. SPIN SPEED CONTROL CYL.	1 Pc's	
701	8062935	ELECTABLE RINSE LEVEL CYL.	1 Pc's	
701	8060975-UL	Cable Fuse Holder	1 Pc's	
702	8058558	RFI 05/06 WM	1 Pc's	
703	8001435	Cable Bracket	1 Pc's	
704	8050250	TERMINAL BLOCK Inside WM/TD	1 Pc's	
704-a	8901413	Lock Washer laundry tops	1 Pc's	
704-b	8902131	Screw	1 Pc's	
706	8060956	Cord Set UL 250V/20A	1 Pc's	
707	8006948	Grommet	1 Pc's	
708	8063021	LEVEL SWITCH WM	1 Pc's	
708-a	8900769	Screw	1 Pc's	
713	8061492	Bracket Comp.	1 Pc's	
713-a	8054485	Cable Strip	1 Pc's	
713-b	8902362	Screw 20 Torx Self Tapping	2 Pc's	
713-c	8901413	Lock Washer laundry tops	1 Pc's	
715	8058703	PROTECTION	1 Pc's	
718	8061477	Timer Holder	1 Pc's	
719	8061432	Level Switch 20605	1 Pc's	

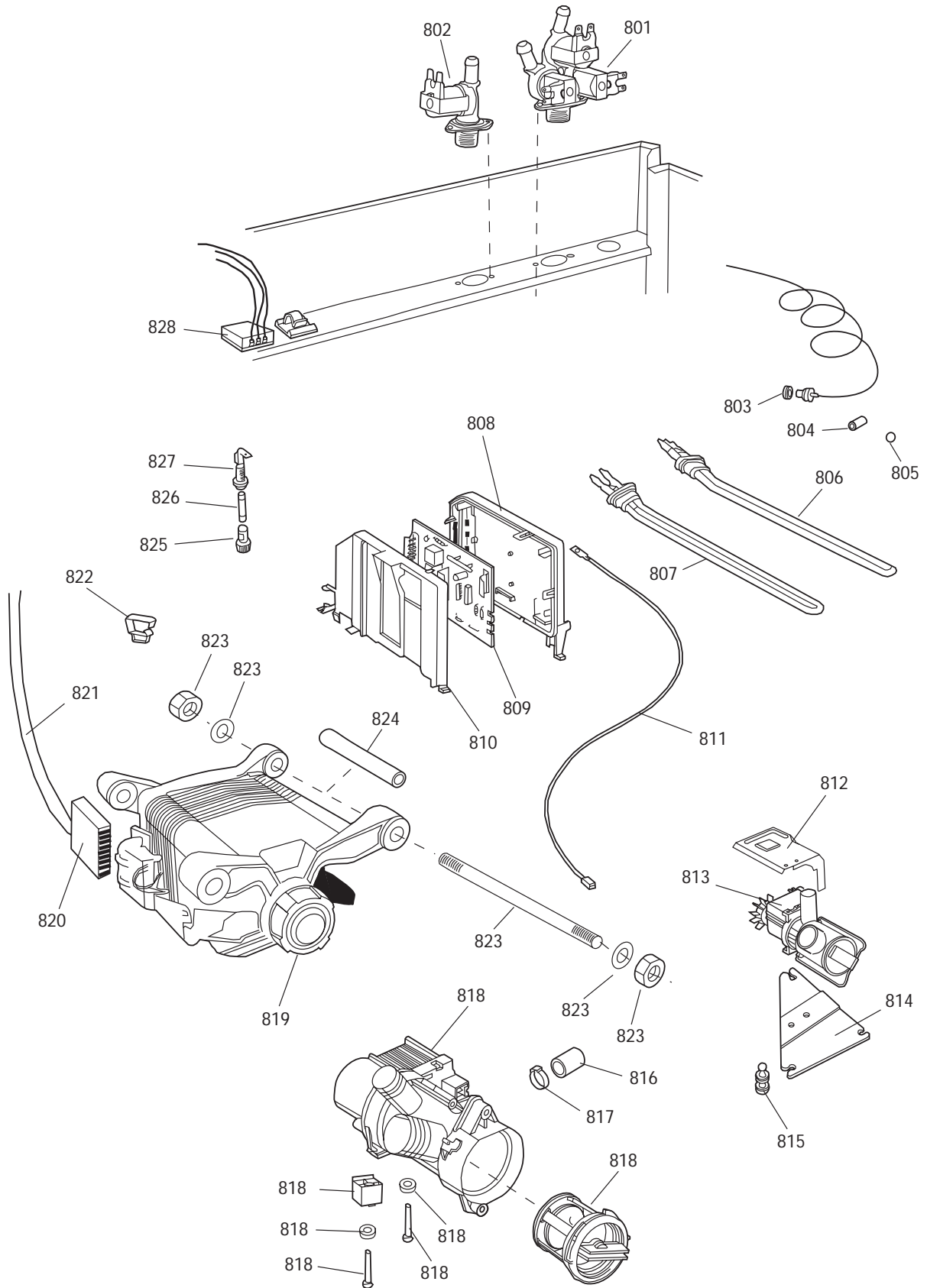
Datum

2003-05-02

Date

ELEKTRISK UTRUSTNING

ELECTRICAL EQUIPMENT



Electric Parts Lower Section

ASKO, 13605 US - white (WM120)

Pos	Spare part No.	Description	Qty	Comment
801	8008003	Fill Valve 03/05 W/O Clamps WM	1 Pc's	
801-a	8901097	Screw Terminal	2 Pc's	
801-b	8901413	Lock Washer laundry tops	2 Pc's	
803	33651658	T'Stat Seal	1 Pc's	
804	8002259	Plastic Hose	2 Pc's	
805	33700450	Cable Strip	8 Pc's	
806	8058402	Heater WM 1800W 04/05 WM	1 Pc's	
807	8058403	Heater Washer 1200W WM	1 Pc's	
808	8061480	Holder Motor Controller	1 Pc's	
808-a	8901097	Screw Terminal	1 Pc's	
808-b	8901322	Washer	1 Pc's	
809	8061399	Board Mtr.13605 20605640/60	1 Pc's	
818	8801169	Drain Pump Kit (no housing or insert)	1 Pc's	Does not include Housing or Insert Kit 8801069
818-a	8058667	SPACER FOR OUTLET PUMP	1 Pc's	
818-b	8801069	Pump Insert-05 WM	1 Pc's	Pump Insert only
818-c	8901002	Screw	2 Pc's	
818-d	8901430	Spring Washer	2 Pc's	
819	8061558	Subs to 8065385	1 Pc's	
819-a	8801097	Brush to Motor Chk Model WM	1 Pc's	
820	8902332	Timerhouse	1 Pc's	
821	8062940	ADD. MOTOR BLOCK CeSet	1 Pc's	
822	8062025	Cable Harness Holder	3 Pc's	
823	8063591	Screw	2 Pc's	
823-a	8901155	Nut	2 Pc's	
823-b	8901193	Locking Nut	2 Pc's	
823-c	8901337	Washer	2 Pc's	
824	8058261	Spacer Tube Motor 05 WM	2 Pc's	
825	8801354	Fuse Holder Assembly	2 Pc's	For units produced before wk 34 2002
827	8801354	Fuse Holder Assembly	2 Pc's	For units produced before wk 34 2002

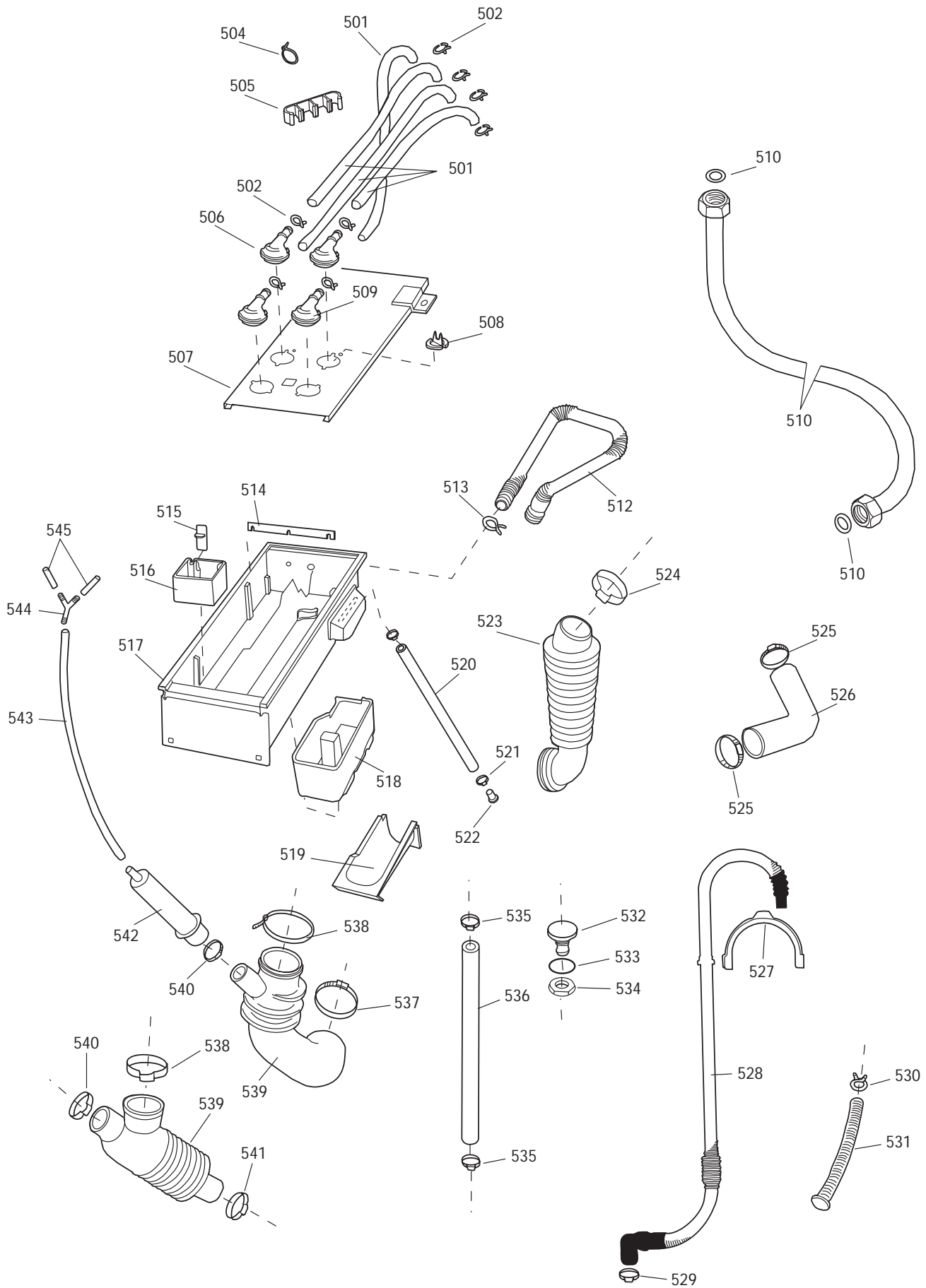
Datum

2003-05-02

Date

TVÄTTSYSTEM

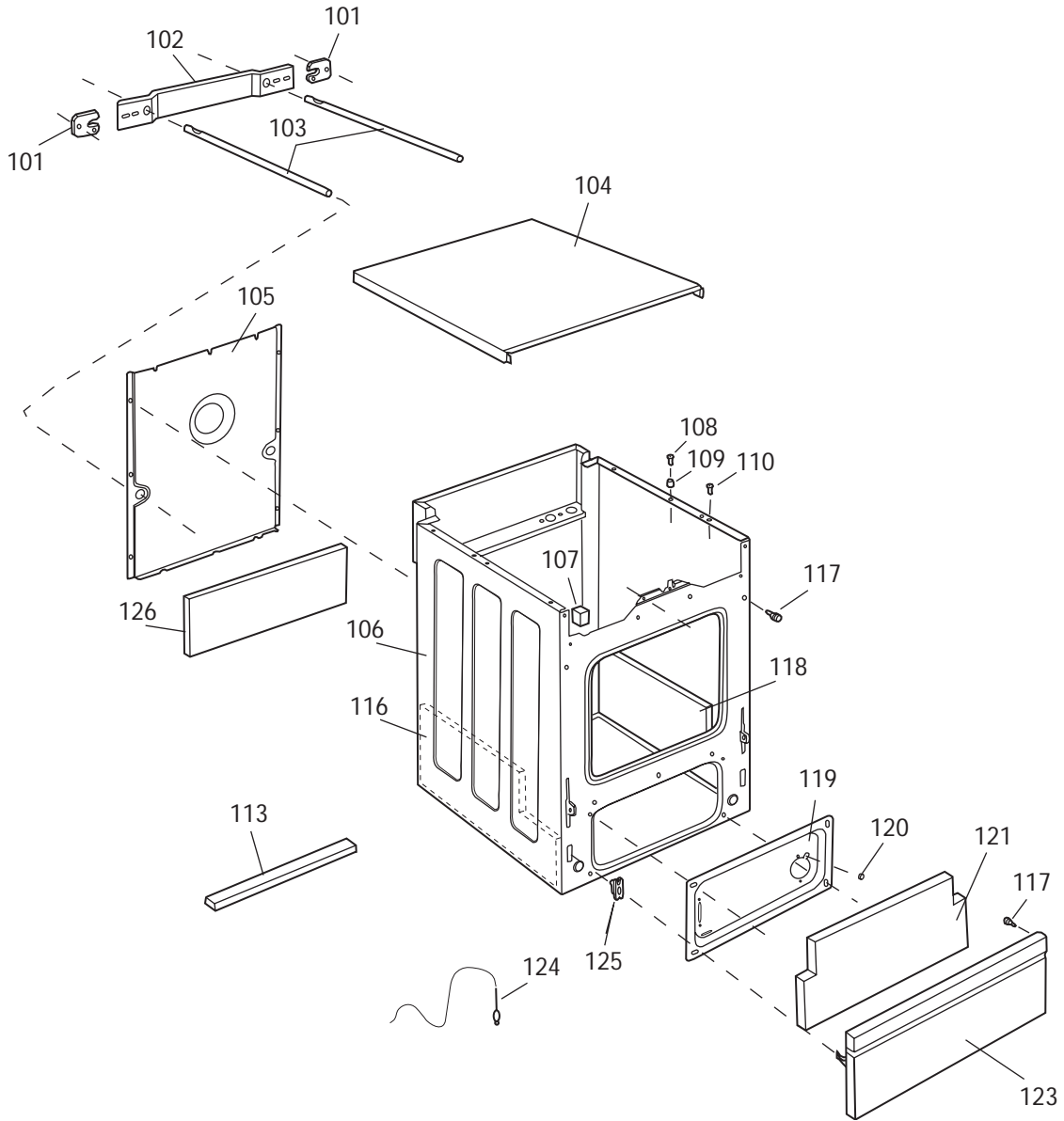
WASHING SYSTEM



Washing System

ASKO, 13605 US - white (WM120)

Pos	Spare part No.	Description	Qty	Comment
501	8050535	Rubber Hose	3 Pc's	
502	8056656	Cable Tie	6 Pc's	
504	8002263	Cable Strip	1 Pc's	
506	8008027	Spray Head WM 03/05	2 Pc's	
507	8056484	Holder - Det Comp	1 Pc's	
507-a	8900026	Screw Nickel flathead	1 Pc's	
507-b	8901242	Nut	1 Pc's	
508	8051646	Hose Holder	1 Pc's	
509	8056638	Spray Head - Washer	1 Pc's	
510	8056950	Fill Hose Pex WM	1 Pc's	
510-a	33700738	Seal	2 Pc's	
512	8056112	Vent Hose WM	1 Pc's	
513	8052730	Hose Clip	1 Pc's	
514	33251781	Subs to 8050633	1 Pc's	
515	8009512	Siphon Tube	1 Pc's	
516	8050551	Disp. Fab. Softener 03/05 WM	Pc's	
516	8050551	Disp. Fab. Softener 03/05 WM	Pc's	
517	8056499-UL	Det. Comp Washer 05	1 Pc's	
518	8051665	detergent Cup Washer	1 Pc's	
520	8056623	Hose Spillway Overflow	1 Pc's	
521	8054196	Clamp	2 Pc's	
522	8053187	Stub Bottom	1 Pc's	
523	8055114	Bellows Hose	1 Pc's	
524	8052069	Hose Clip	1 Pc's	
527	8050805	HOLDER Drain Hose	1 Pc's	
528	8058963	Hose Drain Pump	1 Pc's	
529	8056491	Hose Clamp Squeeze	1 Pc's	
530	8052731	Squeeze Clamp	1 Pc's	
531	8060666	Drain Hose Outlet Pump	1 Pc's	
532	8055667	Stub Washer	1 Pc's	
533	7382087	O Ring	1 Pc's	
534	8055668	Nut	1 Pc's	
535	8054196	Clamp	1 Pc's	
536	8056598	Hose - Recirc	1 Pc's	
538	8051392	Hose Clip	1 Pc's	
539	8056380	Bellows Hose Lower 04/05 WM	1 Pc's	
540	8051673	Hose Clip	1 Pc's	
541	8056471	Hose Clips	1 Pc's	
542	8007642	Pressure Chamber	1 Pc's	
543	8009872	Rubber Hose	1 Pc's	
544	8051843	Y Pipe Water Level SW WM	1 Pc's	
545	8003862	Hose Y-Pipe to P-Switch WM	1 Pc's	
545	8005124	Rubber Hose	1 Pc's	



Cabinet & Related Parts

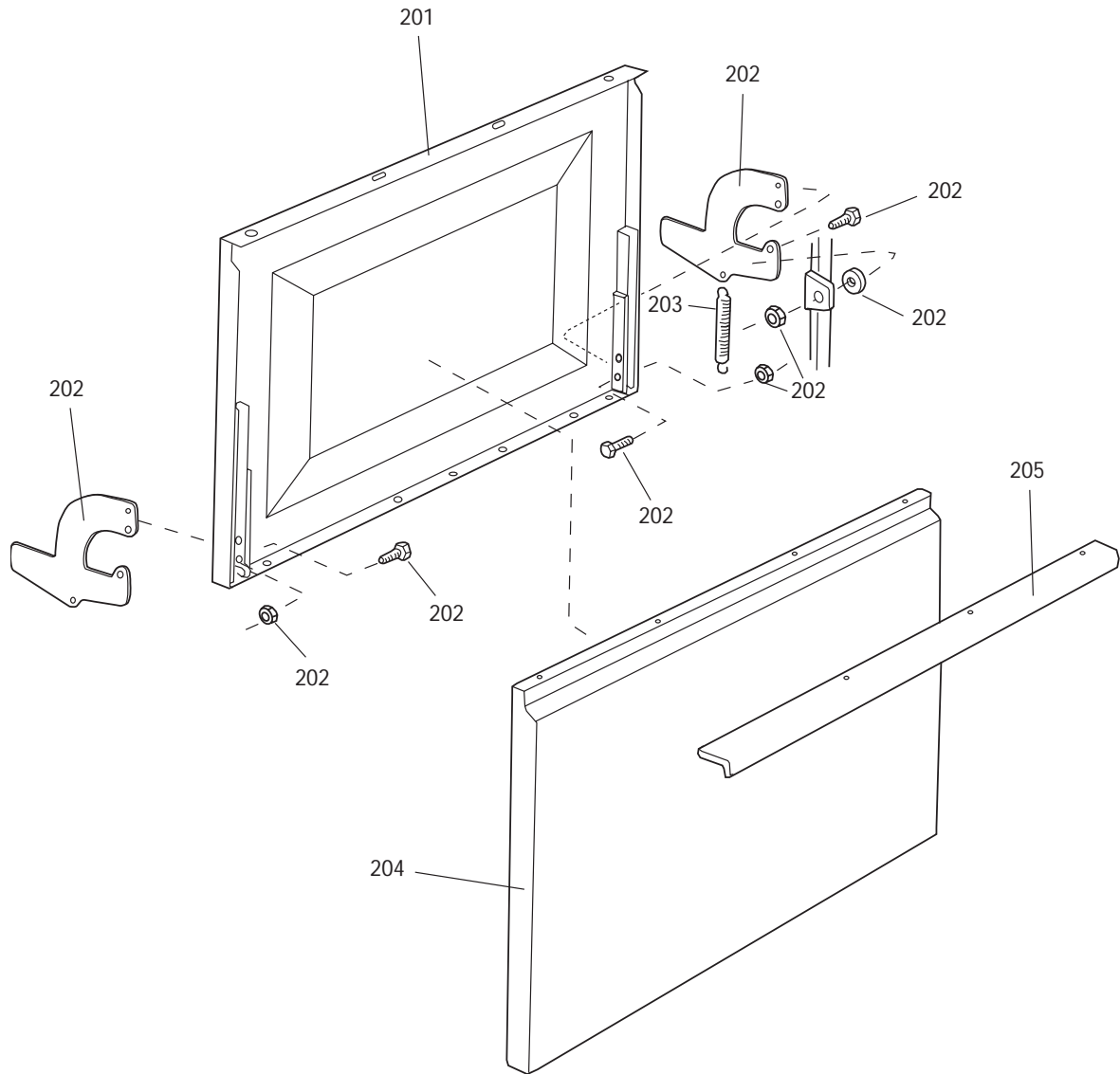
ASKO, 13605 US - white (WM120)

Pos	Spare part No.	Description	Qty	Comment
101	8008209	Washer Shipping Security WM	2 Pc's	
101-a	8902023	Screw Plastic 25 Torx	2 Pc's	
102	8007873	No Longer available	1 Pc's	
103	8007643	No Longer Available	2 Pc's	
104	8057034-0	Top Washer 03/05	1 Pc's	
104-a	8900369	Screw T25	3 Pc's	
104-b	8901415	LOCK WASHER AZ 5.3 GALV	3 Pc's	
105	8052516	Rear Panel Washer	1 Pc's	
105-a	8900328	Screw	9 Pc's	
105-b	8901415	LOCK WASHER AZ 5.3 GALV	2 Pc's	
106	8056990-0	NOT AVAILABLE	1 Pc's	
107	8052555	Buffer	1 Pc's	
108	8901619	Pop Rivet - Det Comp	3 Pc's	
109	8059485	Securing Pin	4 Pc's	
110	8901620	POP-RIVET AL/ST 4X14Pop Rivet	1 Pc's	
113	8056469	No Longer Available	1 Pc's	
117	7382154	Rubber Buffer WM 03/05	2 Pc's	
119	8060964	Service Cover	1 Pc's	
119-a	8902362	Screw 20 Torx Self Tapping	4 Pc's	
119-b	8901413	Lock Washer laundry tops	2 Pc's	
119-c	8060929	Grommet	1 Pc's	
123	8008092-0	Lower Cover 03 W/D04/05 Wsh	1 Pc's	
124	8056889	Ring - Emergency Open	1 Pc's	
124-a	8900453	Screw - Opening	1 Pc's	
125	8007658	Holder-Lower Cover 03/05 TD/WM	2 Pc's	

Datum
2003-05-02
Date

YTTERLUCKA

OUTERDOOR AND RELATED PARTS



Door & Related Parts

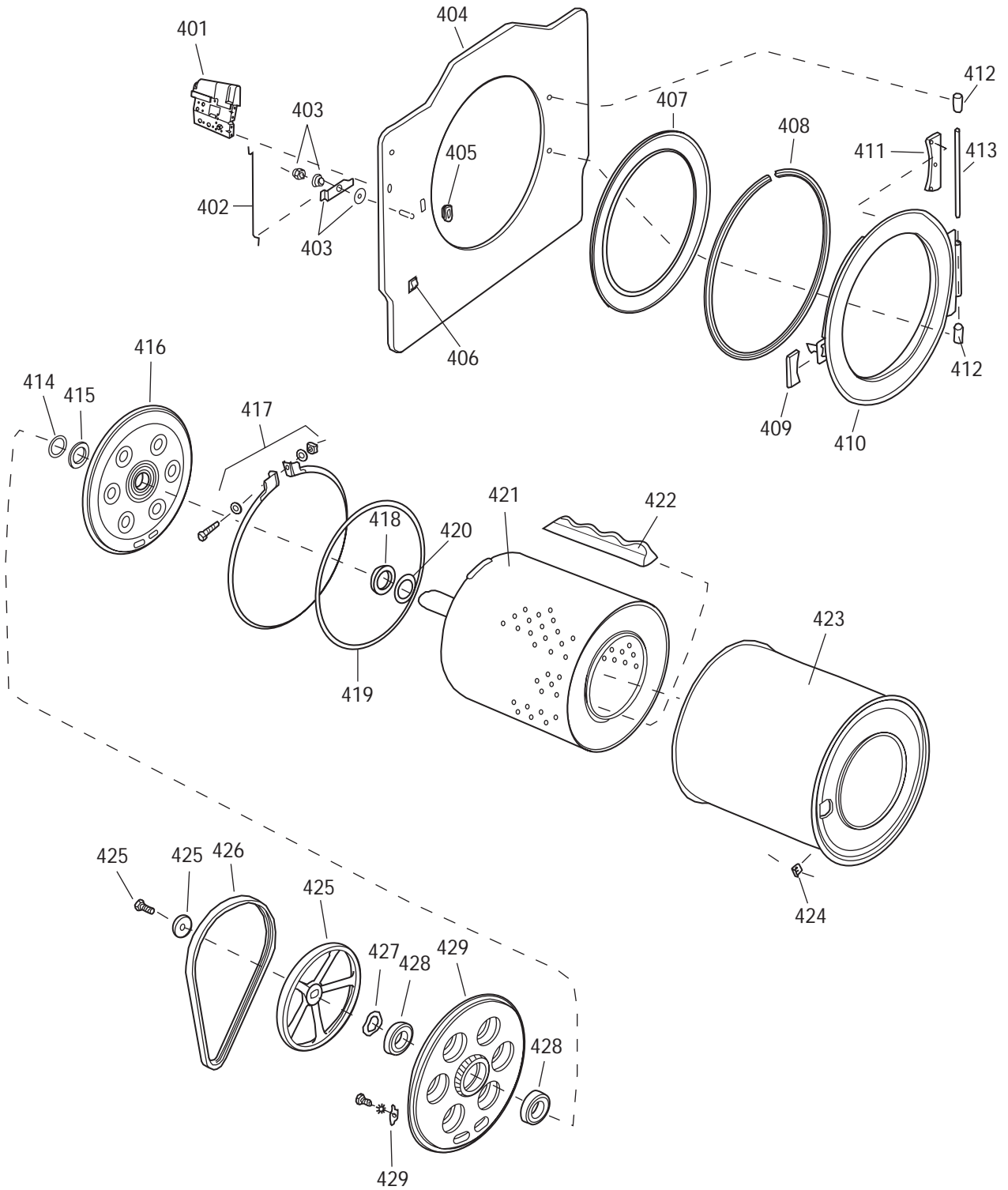
ASKO, 13605 US - white (WM120)

Pos	Spare part No.	Description	Qty	Comment
201	8055996-0	Inner Door White	1 Pc's	
202	33958694	Hinge - Washer	2 Pc's	
202-a	7382628	Nylon Washer	2 Pc's	
202-b	8901002	Screw	4 Pc's	
202-c	8901004	Screw	2 Pc's	
202-d	8901154	NUT M6 BH8 GALV	4 Pc's	
202-e	8901192	Locking Nut WM 03/05	2 Pc's	
203	8054952	Door Spring	1 Pc's	
204	8007750-0	Outer door White	1 Pc's	
204-a	8900346	Screw	4 Pc's	
205	8056420-0	Door Handle - Washer 04	1 Pc's	
205-a	8900395	Screw	4 Pc's	

Support Cradle

ASKO, 13605 US - white (WM120)

Pos	Spare part No.	Description	Qty	Comment
304	8901034	Screw	2 Pc's	
305	8007766	Spring Mount - Holder	1 Pc's	
306	8056640-1	Counter Weight 200	1 Pc's	
307	8008288	Lower Weight Bracket	1 Pc's	
308	33256329	Tub Band clip	4 Pc's	
309	33256963	Tub Bands	4 Pc's	
310	8062038	Supp Cradle Comp.	1 Pc's	
311	8055084	Plug	1 Pc's	
312	8901193	Locking Nut	2 Pc's	
313	33256445	washer	8 Pc's	
314	8055797	Rubber Buffer Spring Leg	8 Pc's	
315	8055796	Rubber Buffer Spring Leg	8 Pc's	
316	33250290	Washer	4 Pc's	
317	8055493	Spring Leg AS 269.5-30/30	4 Pc's	
320	8058036	NLA - Bottom/Base WM80-WM220	1 Pc's	
320-a	33700183	Terminal	1 Pc's	
320-b	8054485	Cable Strip	2 Pc's	
320-c	8900369	Screw T25	13 Pc's	
320-d	8901097	Screw Terminal	1 Pc's	
320-e	8901413	Lock Washer laundry tops	1 Pc's	
321	8059334	Leveling Leg Comp. WMD 20	4 Pc's	
322	8062611	Coverplate Bottom	1 Pc's	
322-a	8902362	Screw 20 Torx Self Tapping	2 Pc's	
322-b	8901498	SPEEDNUT SNK6602	2 Pc's	
323	8007943	Balancing Spring W600's	2 Pc's	



Cylinder & Container

ASKO, 13605 US - white (WM120)

Pos	Spare part No.	Description	Qty	Comment
401	8055473	Door Switch - DW 05/06	1 Pc's	
401	8057594	LOCK COMPL. FRONTWASHER	1 Pc's	
401-a	8902362	Screw 20 Torx Self Tapping	4 Pc's	
402	8007879	Pull Rod	1 Pc's	
403	8055209	Lock Release	1 Pc's	
403-a	33202756	Bushing Door Lock 03/05	1 Pc's	
403-b	33256918	Spacer - Door Lock	1 Pc's	
403-c	8901192	Locking Nut WM 03/05	1 Pc's	
404	8008149-0	Cover Plate White	1 Pc's	
404-a	33525519	WASHER 5.3X13X1.0 FZB	2 Pc's	
404-b	8900950	SCREW M6S 8.8 M5X8 S-LOCK	2 Pc's	
405	33302953-0	Bushing Door Catch WM 03/04/05	1 Pc's	
406	8002498	Cable Bracket	2 Pc's	
407	8056351	NLA - Door Seal Washer 02/05	1 Pc's	
408	33303048	LockRing Door Seal WM 03/04/05	1 Pc's	
409	8059690-0	Cover door latch 05 Laundry	1 Pc's	
410	8801106-0	Glass Door Comp. WM03/04/05	Pc's	
410	8801106-0	Glass Door Comp. WM03/04/05	Pc's	
411	8062994	Hinge Glass Door 03/05 WM	1 Pc's	
411-a	33451808	Screw	3 Pc's	
412	8801177	Hinge Bushing Serv. Kit	1 Pc's	
413	8050583	Door Hinge Shaft WM 03/04	1 Pc's	
414	8901760	O-Ring stub/support assy.	1 Pc's	
415	8008474	Thrower Ring 04/05 WM	1 Pc's	
416	8056933	Rear Panel Tub Washer	1 Pc's	
417	8801105	Svc. Kit WM 200	1 Pc's	
418	8056433	VRingWM110/200/120A/200A/220A	1 Pc's	
419	8062049	Seal Rear Washer Pane WM	1 Pc's	
420	8055670	Washer SS - Tub Shaft WM	1 Pc's	
421	8801061	Inner Drum Complete WM200	Pc's	
421	8801061	Inner Drum Complete WM200	Pc's	
422	8053858	Drum Paddle WM 04/05	3 Pc's	
422-a	8902090	Screw	3 Pc's	
423	8056934	Container	1 Pc's	
424	8055677	Holder - Cover Plate	4 Pc's	
424-a	8901002	Screw	4 Pc's	
424-b	8901430	Spring Washer	4 Pc's	
425	8051142	Pulley	1 Pc's	
425-a	8057209	Washer Level Leg DW	1 Pc's	
425-b	8901052	Screw	1 Pc's	
426	8052054	Belt Antistatic WM200 A	1 Pc's	
427	33526293	Wavy Washer LG. Drum Shaft WM	1 Pc's	
428	33600415	Bearing Drum 03/05 WM	2 Pc's	
429	8008187	Rear Panel w/Bearing WM	1 Pc's	
429-a	33700183	Terminal	1 Pc's	
429-b	8901097	Screw Terminal	1 Pc's	
429-c	8901413	Lock Washer laundry tops	1 Pc's	

STEP FUNCTION	ACTION	LEVEL	STEP TIME	AGITATION	CONDITION FOR AGITATION	RAPID ADVANCE	
						NO SPIN	NO ECO
1	FILL 1	HEAT	16.5 N	P>	P>		
2	DRAIN		P< 30'	N	P>		
3	SET COTTON INTENSIV		4'				
4							
5a	FILL 1	SET COTTON NORMAL	4'				
5b							
6	FILL 2	C+H	4.5' N	P>			
7a	IF RESET SET RAP. ADV. INTENSIVE	HEAT	16.5 N	P>			
7b	FILL 2	C+H	16.5 N	P>			
7c	FILL 2	C+H	T	N			
8a	IF RESET SET RAP. ADV. NORMAL		16.5 N	P>			
8b	FILL 2	C+H	6' N	P>			
8c	FILL 2	C+H	6' N	P>			
8d	FILL 2	C+H	22' N	P>			
9	FILL 1		36' N	DIREKT			
10	FILL 1		1' N	P>			
11	DRAIN		P< 30'	N			
12	FILL 1		6.5' N	②			
13	DRAIN		P< 30'	N			
14	FILL 1		4.5' N	②			
15a	DRAIN		P< 30'	N			
15b	DRAIN		SPIND				
16	FILL 1		4.5' N	②			
17a	DRAIN		P< 60'	N			
17b	IF FOAM, SET RAP. ADV. FOAM						
17c	DELETE RAP. ADV. NO FOAM						
18	DRAIN		SPIN B				
19	FILL 1		4.5' N	②			
20a	DRAIN		4.5' N	②			
20b	DRAIN		P< 30'	N			
21	FILL 1, 4		SPIND				
22	FILL 1, 4		2 OR 3	②			
23a	DRAIN		3.5' N				
23b	DRAIN		P< 60'	N			
24	SPIN DOWN		2' N	SPIN A/C ①			
25	OFF						
26	SET SYNTH. INTENSIV		4'				
27							
28a	FILL 1		4'				
28b	SET SYNTH. NORMAL						
29	FILL C, H		4.5' N	P>			
30a	IF RESET: SET RAP. ADV. INTENSIVE						
30b	FILL 2	C+H	16.5 N	P>			
30c	FILL 2	C+H	T	N			
31a	FILL 2	C+H	16.5 N	P>			
31b	FILL 2	C+H	4.5' N	P>			
32	FILL 1		36' N	DIREKT			
33	FILL 1		1' N	P>			
34	DRAIN		P< 30'	N			
35	FILL 1		6.5' N	②			
36	DRAIN		P< 30'	N			
37	FILL 1		4.5' N	②			
38	DRAIN		P< 30'	N			
39	FILL 1, 4		3.5' N	②			
40a	DRAIN		P< 60'	N			
40b	DRAIN		SPIN B				
41	SPIN DOWN		2' N				
42	OFF						
43	FILL 1		4'				
44a	FILL 2	HEAT	4.5' SG	②			
44b	FILL 2	HEAT	T	SG			
45	FILL 2		4.5' SG	②			
46	DRAIN		P< 30'	N			
47	FILL 1		6.5' G	②			
48	DRAIN		P< 30'	N			
49	FILL 1		4.5' G	②			
50	DRAIN		P< 30'	N			
51	FILL 1, 4		3.5' G	②			
52a	DRAIN		P< 60'	N			
52b	DRAIN		SPIN B				
53	SPIN DOWN		2' G				
54	OFF						
55	DRAIN		P< 30'	N			
56	OFF						

① PROFIL A: VERSION EUROPA, SWEDEN, FINLAND
 PROFIL C: VERSION SSP + HALF LOAD

NORMAL ACTION: 12 SEC ON, 3 SEC OFF
 GENTLE ACTION: 3 SEC ON, 27 SEC OFF
 SUPER GENTLE ACTION: 3 SEC ON 57 SEC OFF

② START OF AGITATION AT LEVEL 1 OR 60 SEC. AFTER STEP ENTERING

DELAYED TIME START: INTERNAL TIMER-SHAFT WILL STAY IN THE OFF POSITION FOR 5s AFTER PRESELECTING IS ACTIVATED

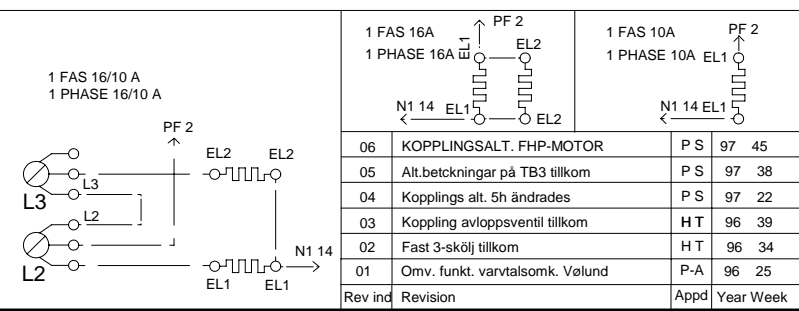
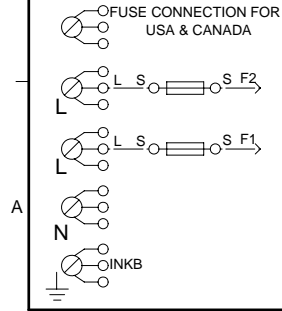
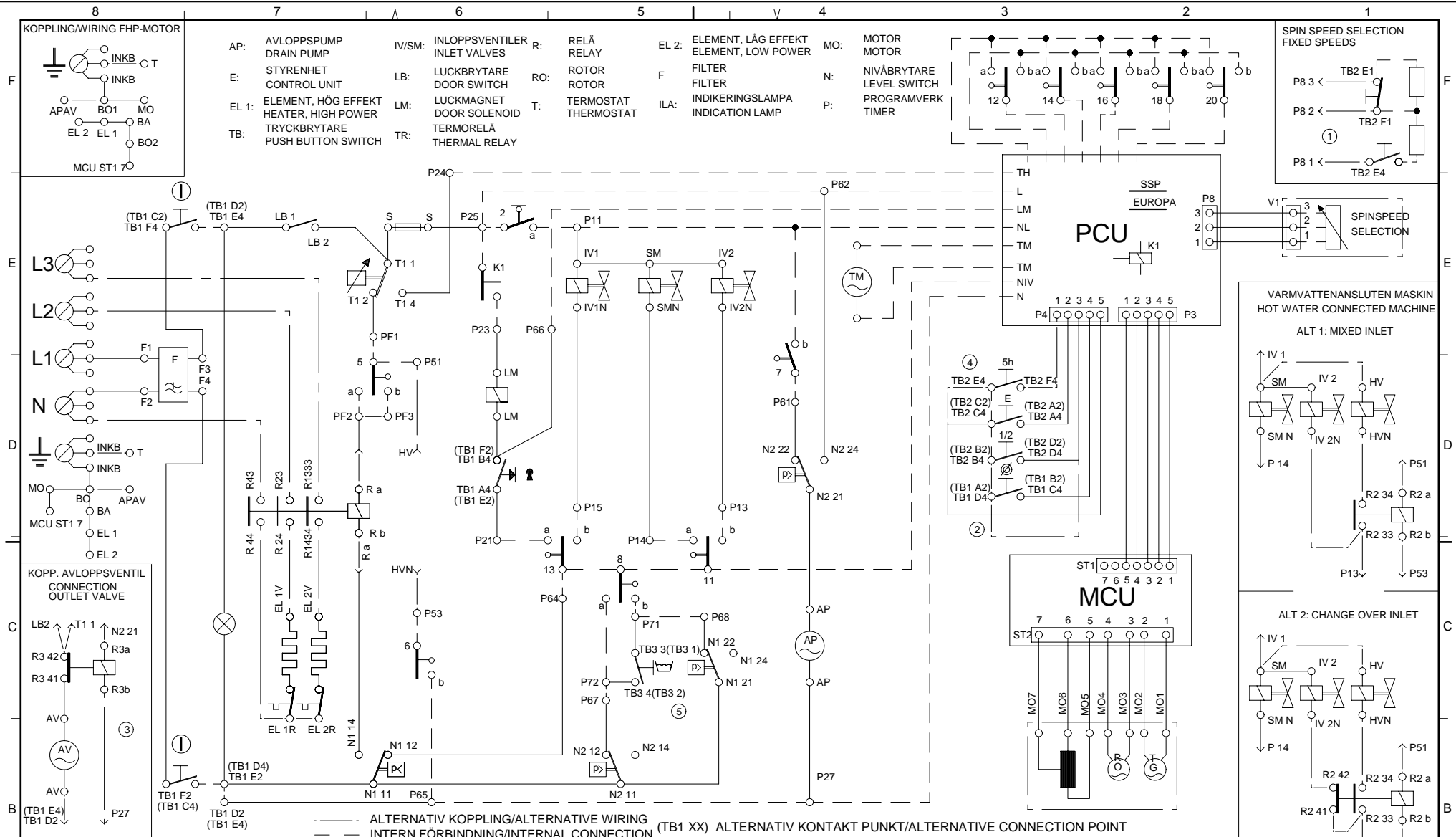
STEPS 24, 41 AND 53: TIMER WILL NOT LEAVE STEP UNTIL MOTOR HAS STOPPED

ALL FILL STEPS: IF LEVEL NOT REACHED TIME OUT 5 MIN (OR STEP TIME IF SHORTER)

Article No.	Name of item	Qty	Material, dimensions, type, etc.
Scale:	Gen. tolerance:	Description(English) FUNCTION DIAGRAM WM120	
Designed by HT	Drawn by CAD	Description(own language) FUNKTIONEN DIAGRAM WM120	
Drawing checked by	Iss by Dept	Year	Week
	UT	96	02
	80 613 95		01
	ASKO CYLINDA		Replaced by

01	RITNING JUSTERAD	P-A	96 26
Rev ind	Revision	Appd	Year Week

KOMPLETTSCHEMA NR: 80 615 04



Rev ind	Revision	Appd	Year	Week
06	KOPPLINGSALT. FHP-MOTOR	P S	97	45
05	Alt.betckningar på TB3 tillkom	P S	97	38
04	Kopplings alt. 5h ändrades	P S	97	22
03	Koppling avloppsventil tillkom	H T	96	39
02	Fast 3-sköj tillkom	H T	96	34
01	Omv. funkt. varvtalsomk. Vølund	P-A	96	25

Article No.	Name of item	Qty	Material, dimensions, type, etc.
Scale:	Gen.tolerance:	Description(English)	
Designed by	Drawn by	Description(own language)	
Drawing checked by	Iss by Dept	Year	Week
	UT	95	45
80 613 96			Rev Ind Replace
			06 Replaced by

CIRCUIT DIAGRAM WM120

KOPPL.SCHEMA WM120

80 613 96

06 Replaced by