



## Spare Parts Catalogue

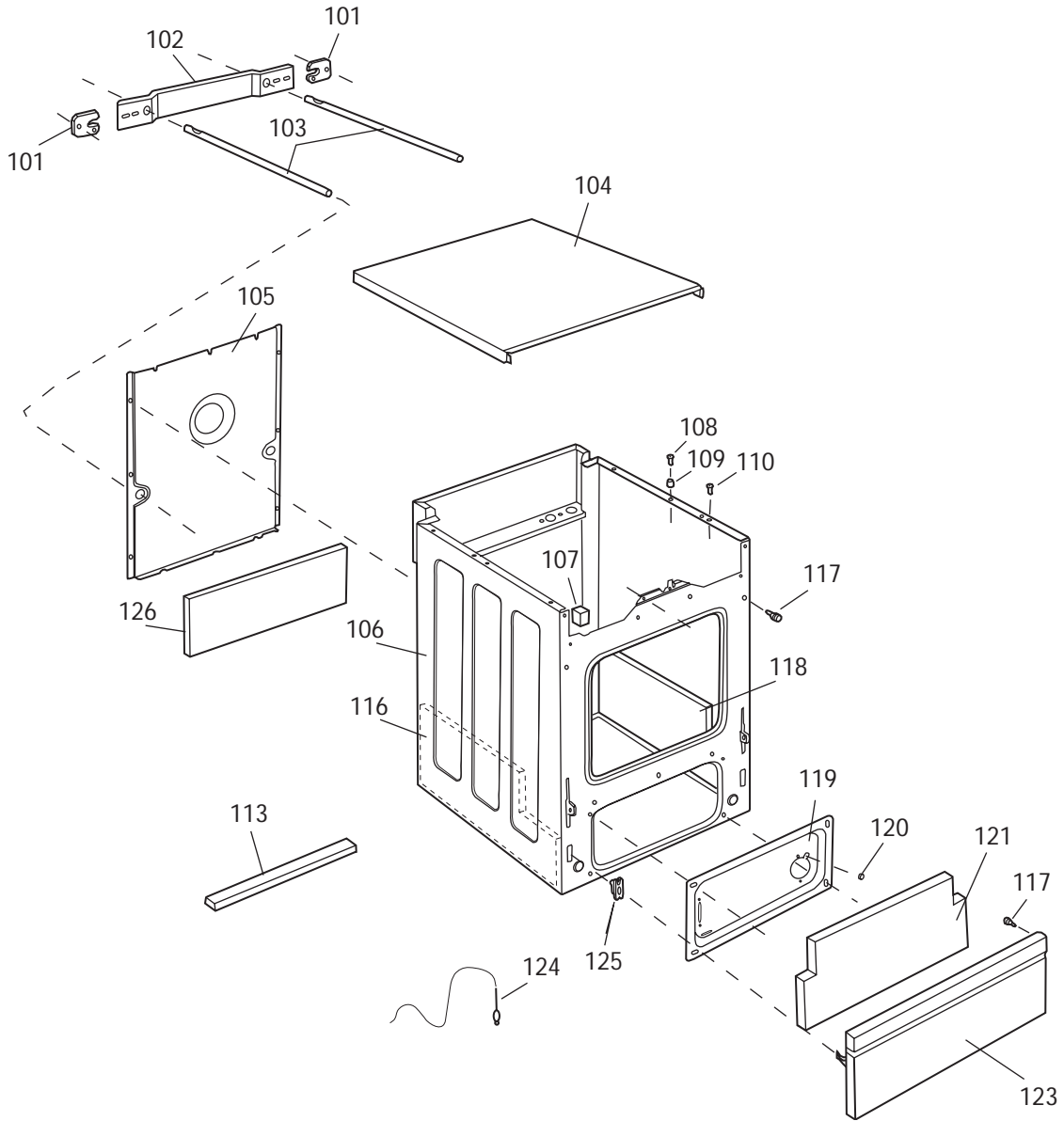
ASKO Washing Machines \ ASKO 05 Generation  
Type: WM200A  
Model: 20005 US white

Prod. No: 10720005

January 16th 2013

**ASKO Appliances Inc.**

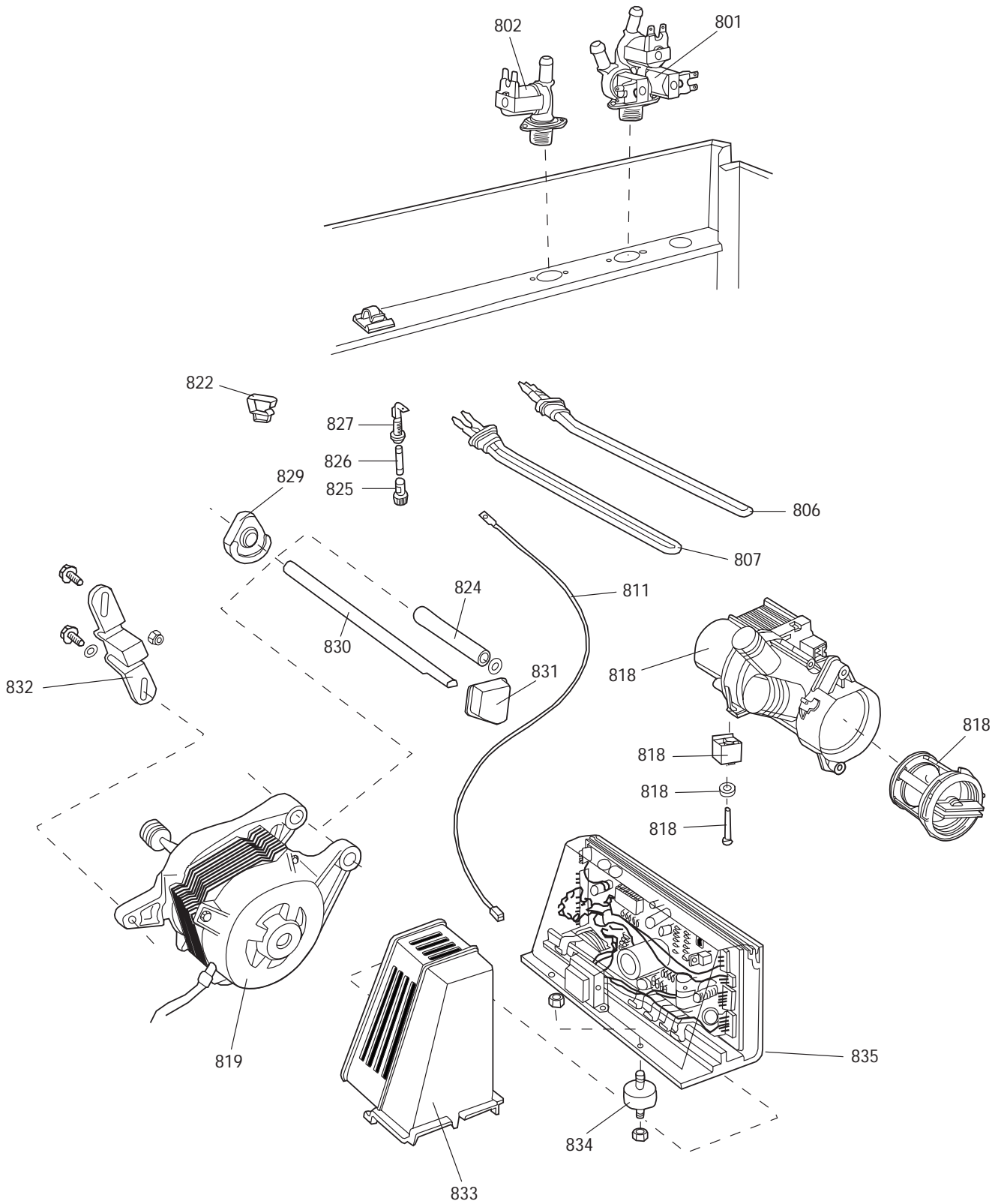
4001 E Plano Parkway #1004001 E Plano Parkway #100  
Plano, Texas 75074



## Cabinet & Related Parts

ASKO, 20005 US - white (WM200A)

Pos	Spare part No.	Description	Qty	Comment
101	8008209	Washer Shipping Security WM	2 Pc's	
101-a	8902023	Screw Plastic 25 Torx	2 Pc's	
102	8007873	No Longer available	1 Pc's	
103	8007643	No Longer Available	2 Pc's	
104	8057034-0	Top Washer 03/05	1 Pc's	
104-a	8900369	Screw T25	3 Pc's	
104-b	8901415	LOCK WASHER AZ 5.3 GALV	3 Pc's	
105	8052516	Rear Panel Washer	1 Pc's	
105-a	8900328	Screw	9 Pc's	
105-b	8901415	LOCK WASHER AZ 5.3 GALV	2 Pc's	
106	8056990-0	NOT AVAILABLE	1 Pc's	
107	8052555	Buffer	1 Pc's	
108	8901619	Pop Rivet - Det Comp	3 Pc's	
109	8059485	Securing Pin	4 Pc's	
110	8901620	POP-RIVET AL/ST 4X14Pop Rivet	1 Pc's	
113	8056469	No Longer Available	1 Pc's	
116	8054984	Insulation Cabinet Left	1 Pc's	
117	7382154	Rubber Buffer WM 03/05	2 Pc's	
118	8054985	Insulation Cabinet Right	1 Pc's	
119	8060964	Service Cover	1 Pc's	
119-a	8902362	Screw 20 Torx Self Tapping	4 Pc's	
119-b	8901413	Lock Washer laundry tops	2 Pc's	
119-c	8060929	Grommet	1 Pc's	
121	8054987	Insulation Lower Cover	1 Pc's	
123	8008092-0	Lower Cover 03 W/D04/05 Wsh	1 Pc's	
124	8056889	Ring - Emergency Open	1 Pc's	
124-a	8900453	Screw - Opening	1 Pc's	
125	8007658	Holder-Lower Cover 03/05 TD/WM	2 Pc's	
126	8054986	NLA-Insulation Rear Panel	1 Pc's	



## Electric Parts Lower Section

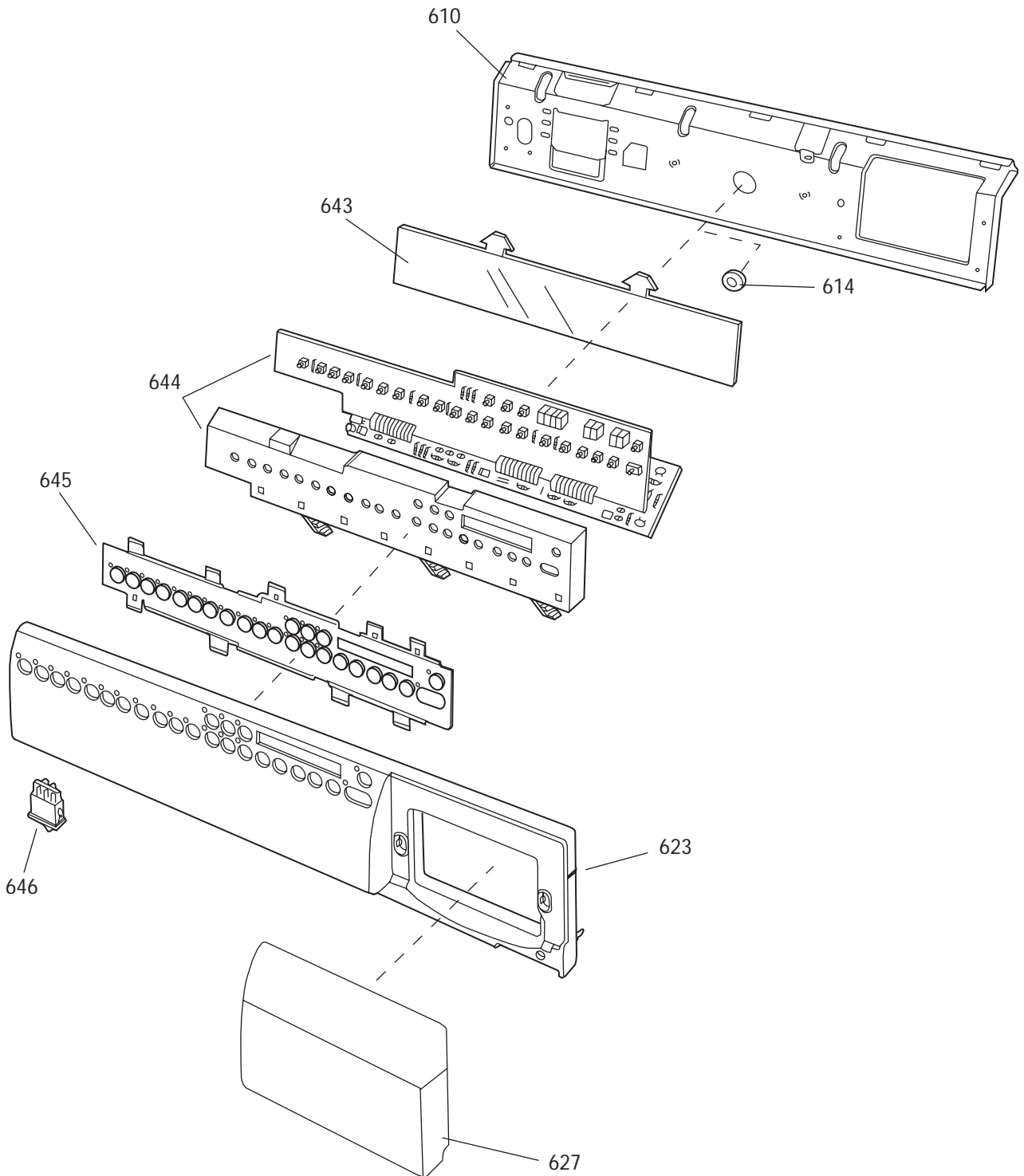
ASKO, 20005 US - white (WM200A)

Pos	Spare part No.	Description	Qty	Comment
801	8008003	Fill Valve 03/05 W/O Clamps WM	1 Pc's	
801-a	8901097	Screw Terminal	2 Pc's	
801-b	8901413	Lock Washer laundry tops	2 Pc's	
806	8058402	Heater WM 1800W 04/05 WM	1 Pc's	
807	8058403	Heater Washer 1200W WM	1 Pc's	
811	8052303	T-Mistor 20003/04/05 WM	1 Pc's	
818	8801169	Drain Pump Kit (no housing or insert)	1 Pc's	Does not include Housing or Insert Kit 8801069
818-a	8058667	SPACER FOR OUTLET PUMP	1 Pc's	
818-b	8801069	Pump Insert-05 WM	1 Pc's	Pump Insert only
818-c	8901002	Screw	2 Pc's	
818-d	8901430	Spring Washer	2 Pc's	
819	8054181	NLA - Motor 20003/20004/20005	1 Pc's	
822	8058680	Holder Cable	3 Pc's	
824	8058191	Spacing Tube Motor Suspension	1 Pc's	
824-a	8053855	Washer F. Motor Sus.	1 Pc's	
825	8801354	Fuse Holder Assembly	2 Pc's	For units produced before wk 34 2002
827	8801354	Fuse Holder Assembly	2 Pc's	For units produced before wk 34 2002
829	8053223-1	Rubber Damper WM Mtr. WM 2005	1 Pc's	
830	8057799	Tube Motor Mounting	1 Pc's	
830-a	8053855	Washer F. Motor Sus.	1 Pc's	
831	8053296-1	Mount Motor Rubber Front	1 Pc's	
832	8054154-1	TENSION STRIP/3 BLACK	1 Pc's	
832-a	33254236	WASHER	2 Pc's	
832-b	8901193	Locking Nut	2 Pc's	
832-c	8902253	Screw	2 Pc's	
833	8054171	Splash Guard - Power	1 Pc's	
834	8051474	GROMMET Circmotor 00/02 DW	4 Pc's	
834-a	8901253	NUT NICKEL-PLATED BRASS ML6M 5	8 Pc's	
835	8801138-R	Control Unit	1 Pc's	

Datum  
2003-05-02  
Date

## PANEL

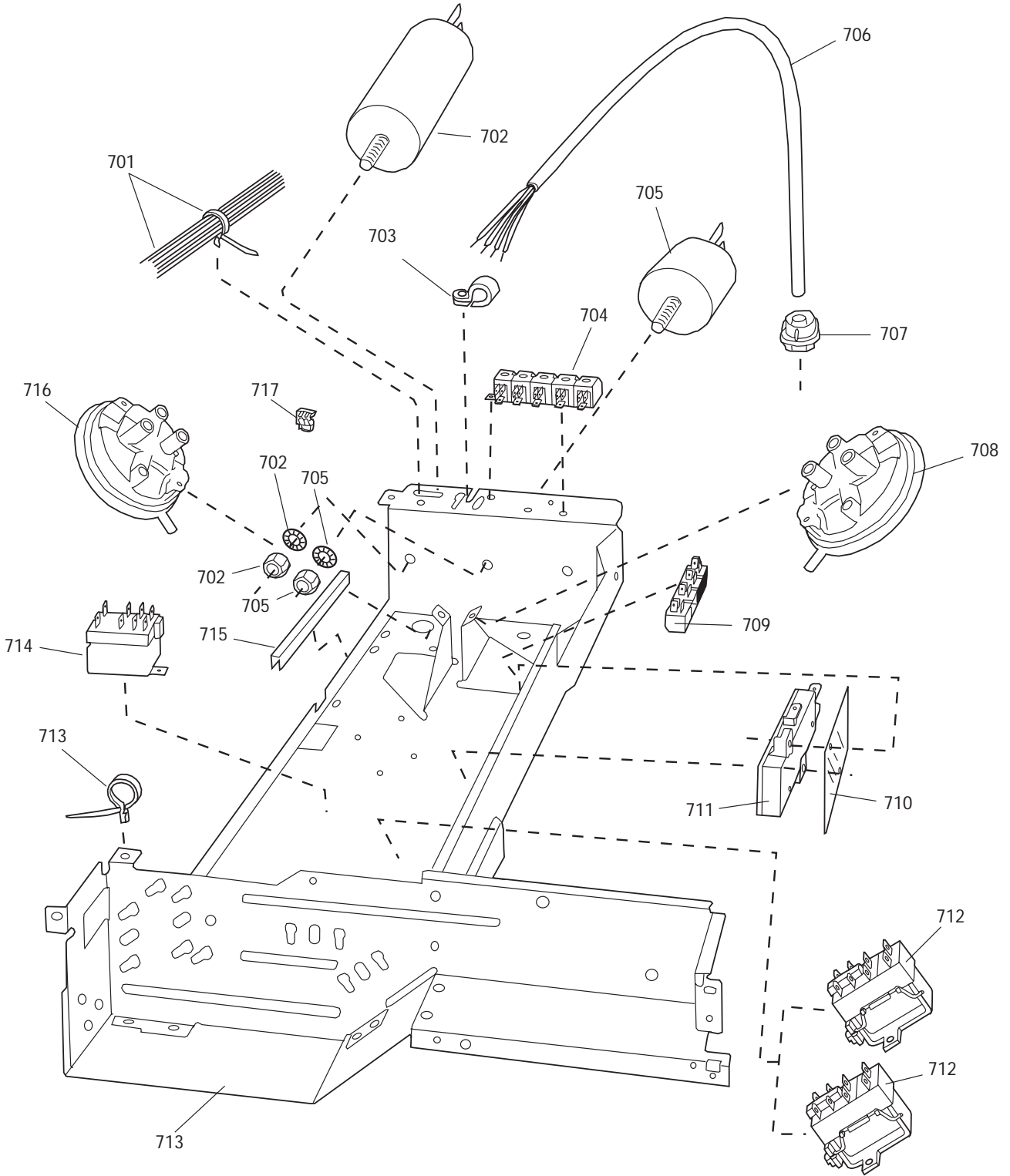
## CONTROL PANEL AND RELATED PARTS



## **Control/Facial Panel**

*ASKO, 20005 US - white (WM200A)*

<b>Pos</b>	<b>Spare part No.</b>	<b>Description</b>	<b>Qty</b>	<b>Comment</b>
610	8062035	Front Beam WM 05	1 Pc's	
610-a	8900027	Screw	4 Pc's	
610-b	8902362	Screw 20 Torx Self Tapping	5 Pc's	
610-c	8901413	Lock Washer laundry tops	2 Pc's	
614	8060929	Grommet	1 Pc's	
623	8060740-0-UL	Panel Control w/Handle 20005	1 Pc's	
627	8059677-0-UL	Handle Det Comp WH 05 WM	1 Pc's	
643	8054364	Insulation Guard	1 Pc's	
644	8062336	Subs to 8062336-R. Keyboard/Di	1 Pc's	
645	8062666-0	PUSHBUTTONS 20005/02	1 Pc's	
646	8006265-0	Main Switch White WM200	1 Pc's	





## Electric Parts Upper Section

ASKO, 20005 US - white (WM200A)

Pos	Spare part No.	Description	Qty	Comment
701	8060971-UL	Main Harness WM 200 A	1 Pc's	
701	8060972-UL	Cable Bracket	1 Pc's	
702	8058558	RFI 05/06 WM	1 Pc's	
703	8001435	Cable Bracket	1 Pc's	
703	8001968	Cable Bracket	1 Pc's	
704	8050250	TERMINAL BLOCK Inside WM/TD	1 Pc's	
704-a	8901413	Lock Washer laundry tops	1 Pc's	
704-b	8902131	Screw	1 Pc's	
706	8060956	Cord Set UL 250V/20A	1 Pc's	
707	8006948	Grommet	1 Pc's	
708	8061593	Level Switch WM.	1 Pc's	
708-a	8902042	Screw Protective Cover Dryer	1 Pc's	
710	8061495	Insul.	1 Pc's	
711	8054295	Lock Relay Door WM 200	1 Pc's	
711-a	8900311	Screw	2 Pc's	
713	8061493	Bracket Elect. Comp.	1 Pc's	
713-a	8054485	Cable Strip	1 Pc's	
713-b	8902362	Screw 20 Torx Self Tapping	2 Pc's	
713-c	8901413	Lock Washer laundry tops	1 Pc's	
714	8064179	Relay 10 terminals WM	1 Pc's	
715	8058703	PROTECTION	1 Pc's	

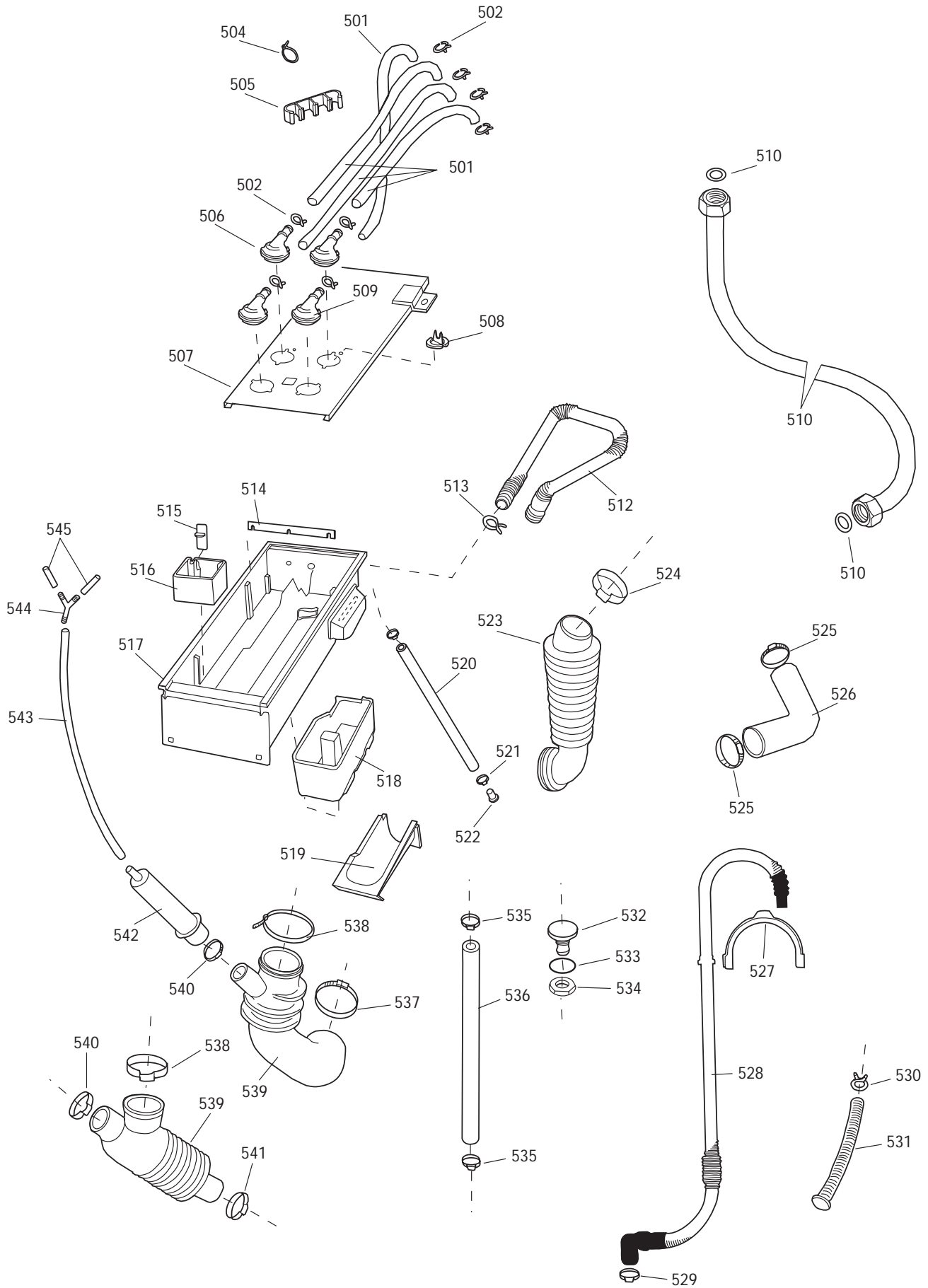
Datum

2003-05-02

Date

## TVÄTTSYSTEM

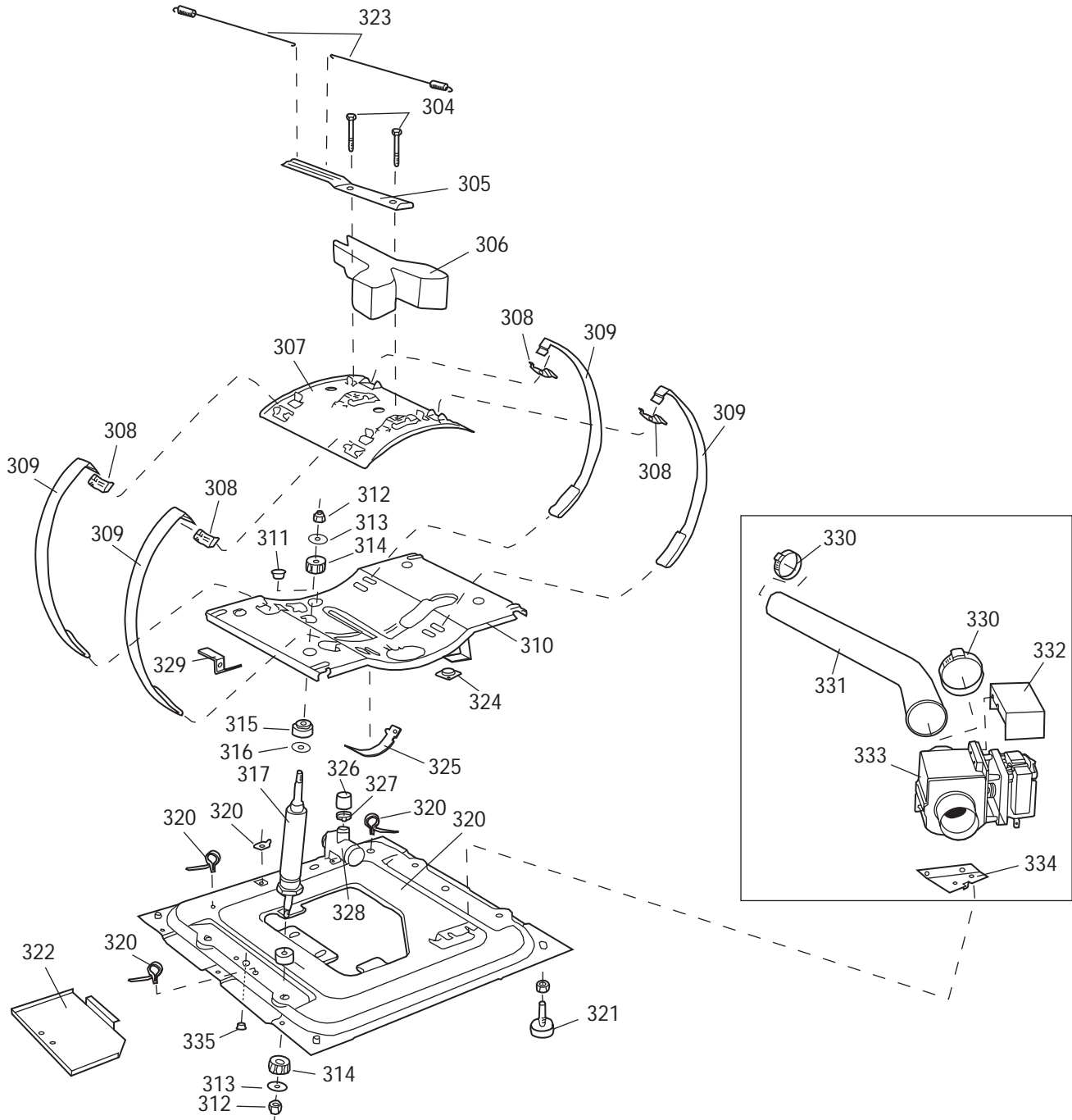
## WASHING SYSTEM



## Washing System

ASKO, 20005 US - white (WM200A)

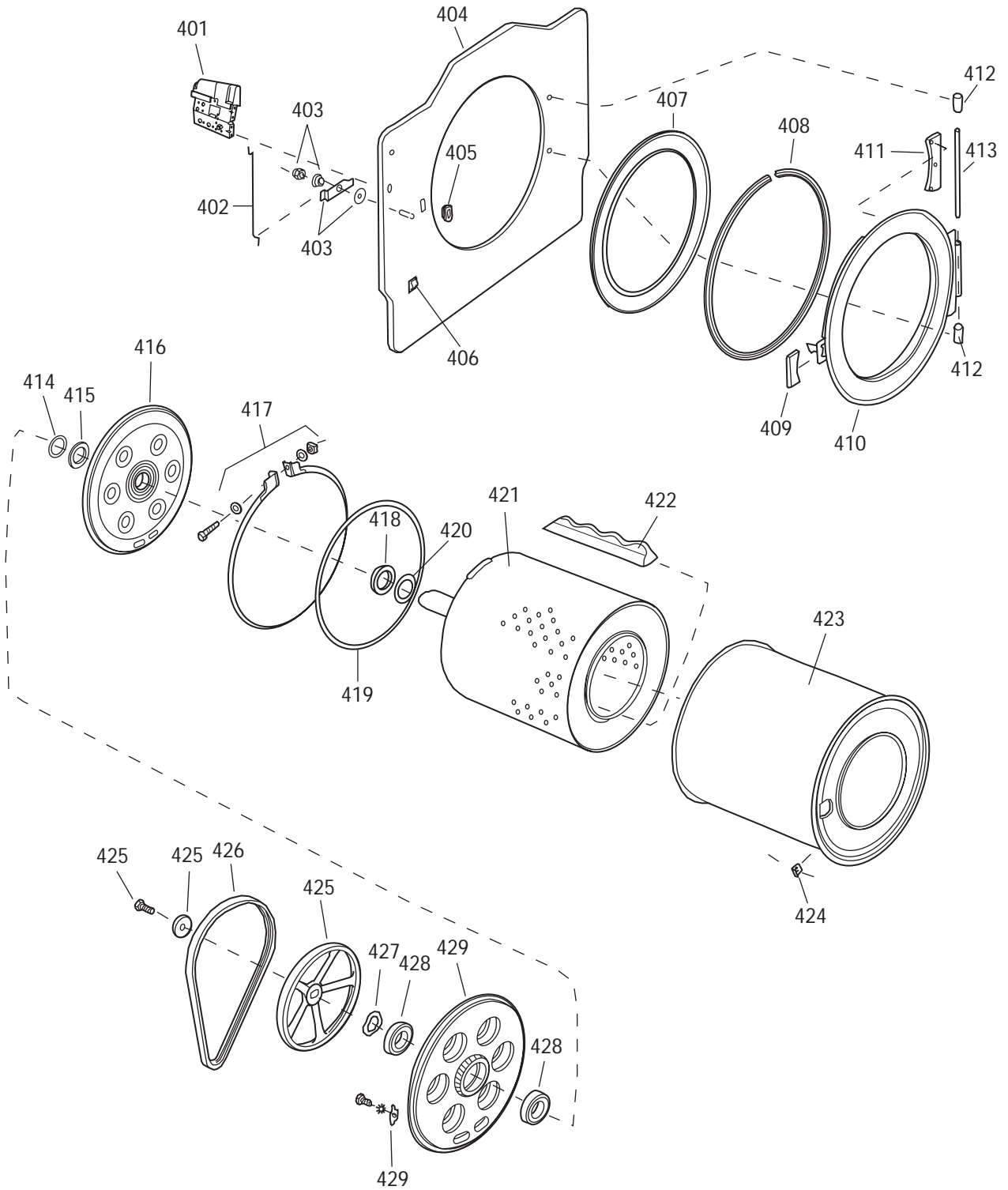
Pos	Spare part No.	Description	Qty	Comment
501	8050535	Rubber Hose	3 Pc's	
502	8056656	Cable Tie	6 Pc's	
504	8002263	Cable Strip	1 Pc's	
506	8008027	Spray Head WM 03/05	2 Pc's	
507	8056484	Holder - Det Comp	1 Pc's	
507-a	8900026	Screw Nickel flathead	1 Pc's	
507-b	8901242	Nut	1 Pc's	
508	8051646	Hose Holder	1 Pc's	
509	8056638	Spray Head - Washer	1 Pc's	
510	8056950	Fill Hose Pex WM	1 Pc's	
510-a	33700738	Seal	2 Pc's	
512	8056112	Vent Hose WM	1 Pc's	
513	8052730	Hose Clip	1 Pc's	
514	33251781	Subs to 8050633	1 Pc's	
515	8009512	Siphon Tube	1 Pc's	
516	8050551	Disp. Fab. Softener 03/05 WM	Pc's	
516	8050551	Disp. Fab. Softener 03/05 WM	Pc's	
517	8056499-UL	Det. Comp Washer 05	1 Pc's	
518	8051665	detergent Cup Washer	1 Pc's	
520	8056623	Hose Spillway Overflow	1 Pc's	
521	8054196	Clamp	2 Pc's	
522	8053187	Stub Bottom	1 Pc's	
523	8055114	Bellows Hose	1 Pc's	
524	8052069	Hose Clip	1 Pc's	
527	8050805	HOLDER Drain Hose	1 Pc's	
528	8058963	Hose Drain Pump	1 Pc's	
529	8056491	Hose Clamp Squeeze	1 Pc's	
530	8052731	Squeeze Clamp	1 Pc's	
531	8060666	Drain Hose Outlet Pump	1 Pc's	
532	8055667	Stub Washer	1 Pc's	
533	7382087	O Ring	1 Pc's	
534	8055668	Nut	1 Pc's	
535	8054196	Clamp	2 Pc's	
536	8056598	Hose - Recirc	1 Pc's	
538	8051392	Hose Clip	1 Pc's	
539	8056380	Bellows Hose Lower 04/05 WM	1 Pc's	
540	8051673	Hose Clip	1 Pc's	
541	8056471	Hose Clips	1 Pc's	
542	8007642	Pressure Chamber	1 Pc's	
543	8004546	Rubber Hose	1 Pc's	



## Support Cradle

ASKO, 20005 US - white (WM200A)

Pos	Spare part No.	Description	Qty	Comment
304	8901034	Screw	2 Pc's	
305	8007766	Spring Mount - Holder	1 Pc's	
306	8056640-1	Counter Weight 200	1 Pc's	
307	8008288	Lower Weight Bracket	1 Pc's	
308	33256329	Tub Band clip	4 Pc's	
309	33256963	Tub Bands	4 Pc's	
310	8060710	Support Cradle Complete	1 Pc's	
312	8901193	Locking Nut	9 Pc's	
313	33256445	washer	8 Pc's	
314	8055797	Rubber Buffer Spring Leg	8 Pc's	
315	8055796	Rubber Buffer Spring Leg	8 Pc's	
316	33250290	Washer	4 Pc's	
317	8055493	Spring Leg AS 269.5-30/30	4 Pc's	
320	8058036	NLA - Bottom/Base WM80-WM220	1 Pc's	
320-a	33700183	Terminal	1 Pc's	
320-b	8054485	Cable Strip	2 Pc's	
320-c	8900369	Screw T25	13 Pc's	
320-d	8901097	Screw Terminal	1 Pc's	
320-e	8901413	Lock Washer laundry tops	1 Pc's	
321	8059334	Leveling Leg Comp. WMD 20	4 Pc's	
323	8007943	Balancing Spring W600's	2 Pc's	
325	8053329	Motor Bracket	1 Pc's	
329	8059666	Holder Thermistor	1 Pc's	
329-a	8901097	Screw Terminal	1 Pc's	



## Cylinder & Container

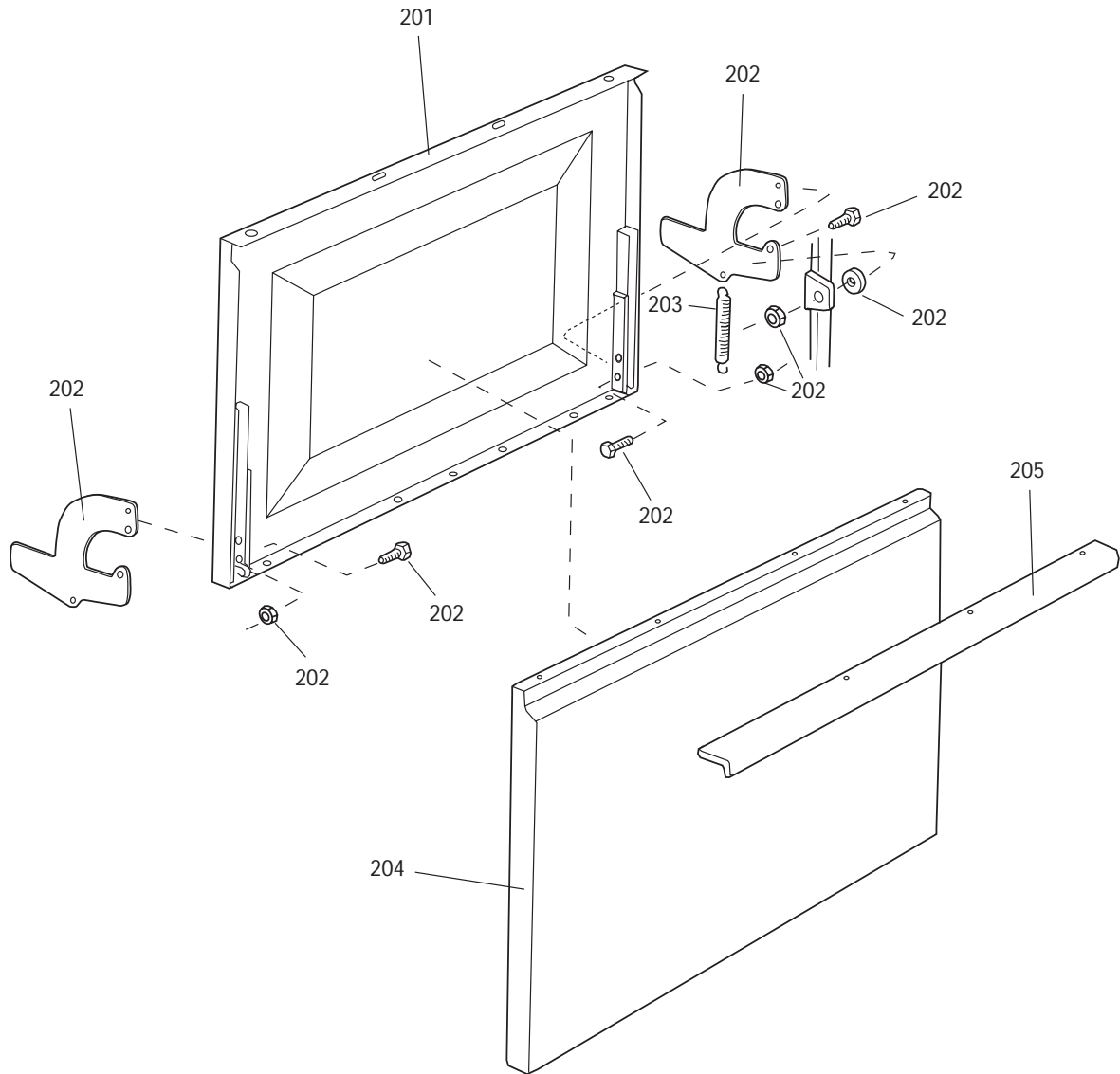
ASKO, 20005 US - white (WM200A)

Pos	Spare part No.	Description	Qty	Comment
401	8055473	Door Switch - DW 05/06	1 Pc's	
401	8057594	LOCK COMPL. FRONTWASHER	1 Pc's	
401-a	8902362	Screw 20 Torx Self Tapping	4 Pc's	
402	8007879	Pull Rod	1 Pc's	
403	8055209	Lock Release	1 Pc's	
403-a	33202756	Bushing Door Lock 03/05	1 Pc's	
403-b	33256918	Spacer - Door Lock	1 Pc's	
403-c	8901192	Locking Nut WM 03/05	1 Pc's	
404	8008149-0	Cover Plate White	1 Pc's	
404-a	33525519	WASHER 5.3X13X1.0 FZB	2 Pc's	
404-b	8900950	SCREW M6S 8.8 M5X8 S-LOCK	2 Pc's	
405	33302953-0	Bushing Door Catch WM 03/04/05	1 Pc's	
406	8002498	Cable Bracket	2 Pc's	
407	8056351	NLA - Door Seal Washer 02/05	1 Pc's	
408	33303048	LockRing Door Seal WM 03/04/05	1 Pc's	
409	8059690-0	Cover door latch 05 Laundry	1 Pc's	
410	8801106-0	Glass Door Comp. WM03/04/05	Pc's	
410	8801106-0	Glass Door Comp. WM03/04/05	Pc's	
411	8062994	Hinge Glass Door 03/05 WM	1 Pc's	
411-a	33451808	Screw	3 Pc's	
412	8801177	Hinge Bushing Serv. Kit	1 Pc's	
413	8050583	Door Hinge Shaft WM 03/04	1 Pc's	
414	8901760	O-Ring stub/support assy.	1 Pc's	
415	8008474	Thrower Ring 04/05 WM	1 Pc's	
416	8056933	Rear Panel Tub Washer	1 Pc's	
417	8801105	Svc. Kit WM 200	1 Pc's	
418	8056433	VRingWM110/200/120A/200A/220A	1 Pc's	
419	8062049	Seal Rear Washer Pane WM	1 Pc's	
420	8055670	Washer SS - Tub Shaft WM	1 Pc's	
421	8801061	Inner Drum Complete WM200	Pc's	
421	8801061	Inner Drum Complete WM200	Pc's	
422	8053858	Drum Paddle WM 04/05	3 Pc's	
422-a	8902090	Screw	3 Pc's	
423	8056937	Container Outer 200	1 Pc's	
424	8055677	Holder - Cover Plate	4 Pc's	
424-a	8901002	Screw	4 Pc's	
424-b	8901430	Spring Washer	4 Pc's	
425	8051142	Pulley	1 Pc's	
425-a	8057209	Washer Level Leg DW	1 Pc's	
425-b	8901052	Screw	1 Pc's	
426	8052054	Belt Antistatic WM200 A	1 Pc's	
427	33526293	Wavy Washer LG. Drum Shaft WM	1 Pc's	
428	33600415	Bearing Drum 03/05 WM	2 Pc's	
429	8008187	Rear Panel w/Bearing WM	1 Pc's	
429-a	33700183	Terminal	1 Pc's	
429-b	8901097	Screw Terminal	1 Pc's	
429-c	8901413	Lock Washer laundry tops	1 Pc's	

Datum  
2003-05-02  
Date

**YTTERLUCKA**

**OUTERDOOR AND RELATED PARTS**

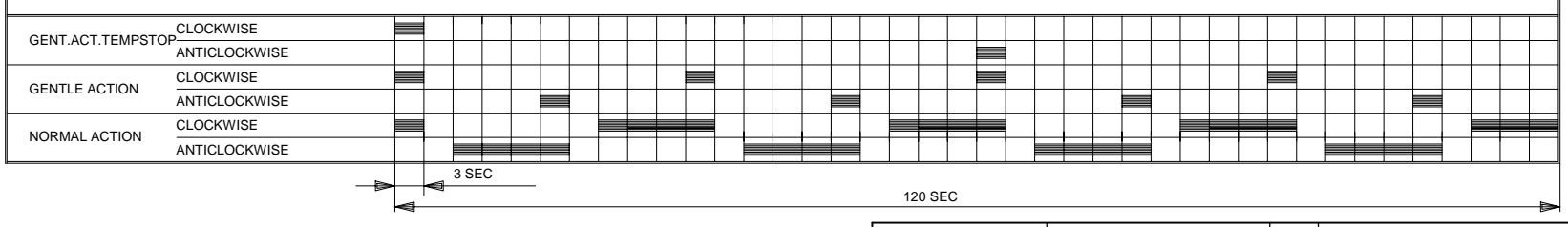
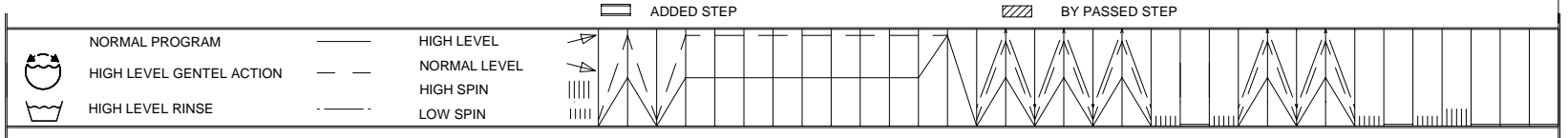
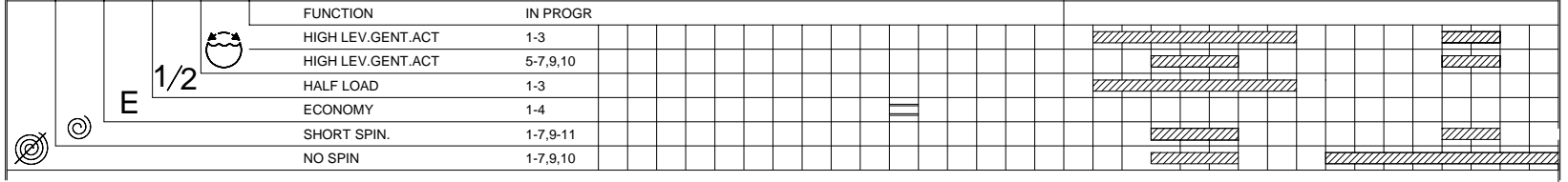
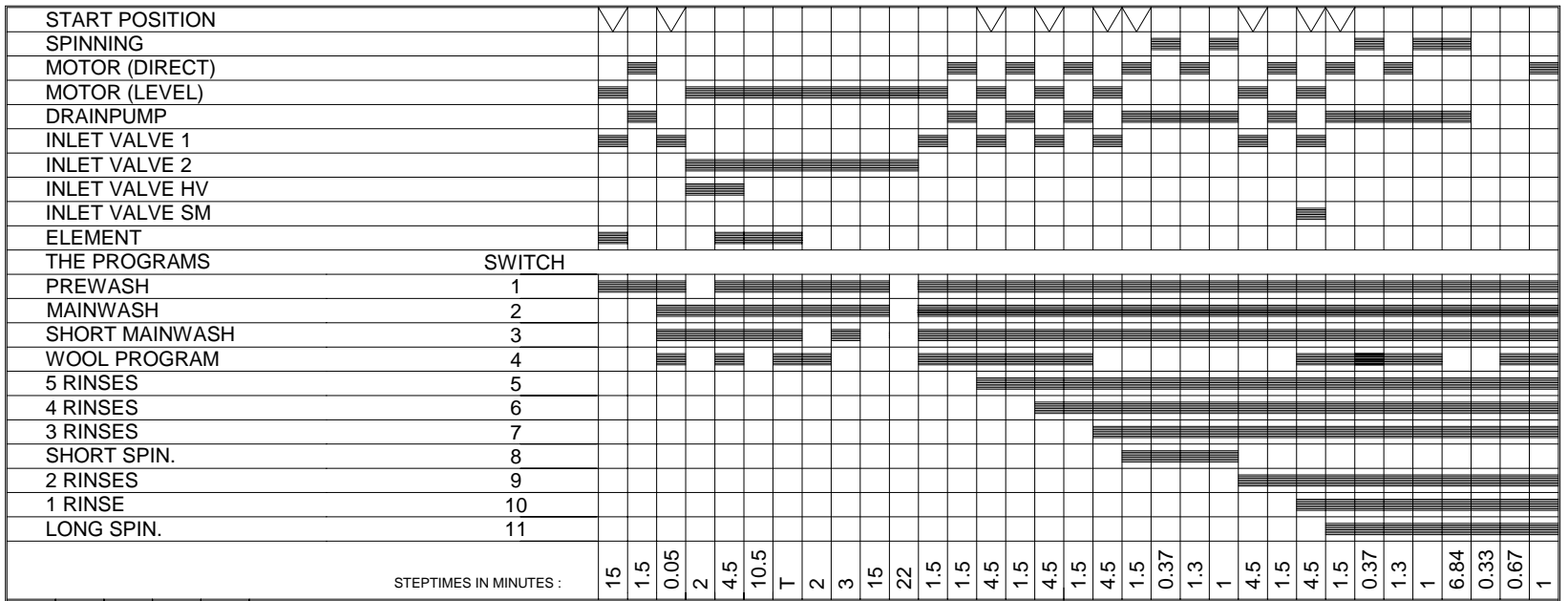




## Door & Related Parts

ASKO, 20005 US - white (WM200A)

Pos	Spare part No.	Description	Qty	Comment
201	8008106	SS Inner Door	1 Pc's	
202	33958694	Hinge - Washer	2 Pc's	
202-a	7382628	Nylon Washer	2 Pc's	
202-b	8901002	Screw	4 Pc's	
202-c	8901004	Screw	2 Pc's	
202-d	8901154	NUT M6 BH8 GALV	4 Pc's	
202-e	8901192	Locking Nut WM 03/05	2 Pc's	
203	8054952	Door Spring	1 Pc's	
204	8007750-0	Outer door White	1 Pc's	
204-a	8900346	Screw	4 Pc's	
205	8056420-0	Door Handle - Washer 04	1 Pc's	
205-a	8900395	Screw	4 Pc's	



Article No	Name of item	Qty	Material, dimensions, type, etc.
Scale:	Gen. tolerance:	Description (English) TIMER DIAGRAM WM 200	
Designed by MATS LILJA	Drawn by	Description (own language)	
Drawing checked b	Iss by Dep	Year	Week
	KS	90	43
8054284-2			Rev Ind   Replace G   Replaced by

Rev ind	Revision	Appd	Year	Week

8 7 6 5 4 3 2 1

F

E

D

C

B

A

F

E

D

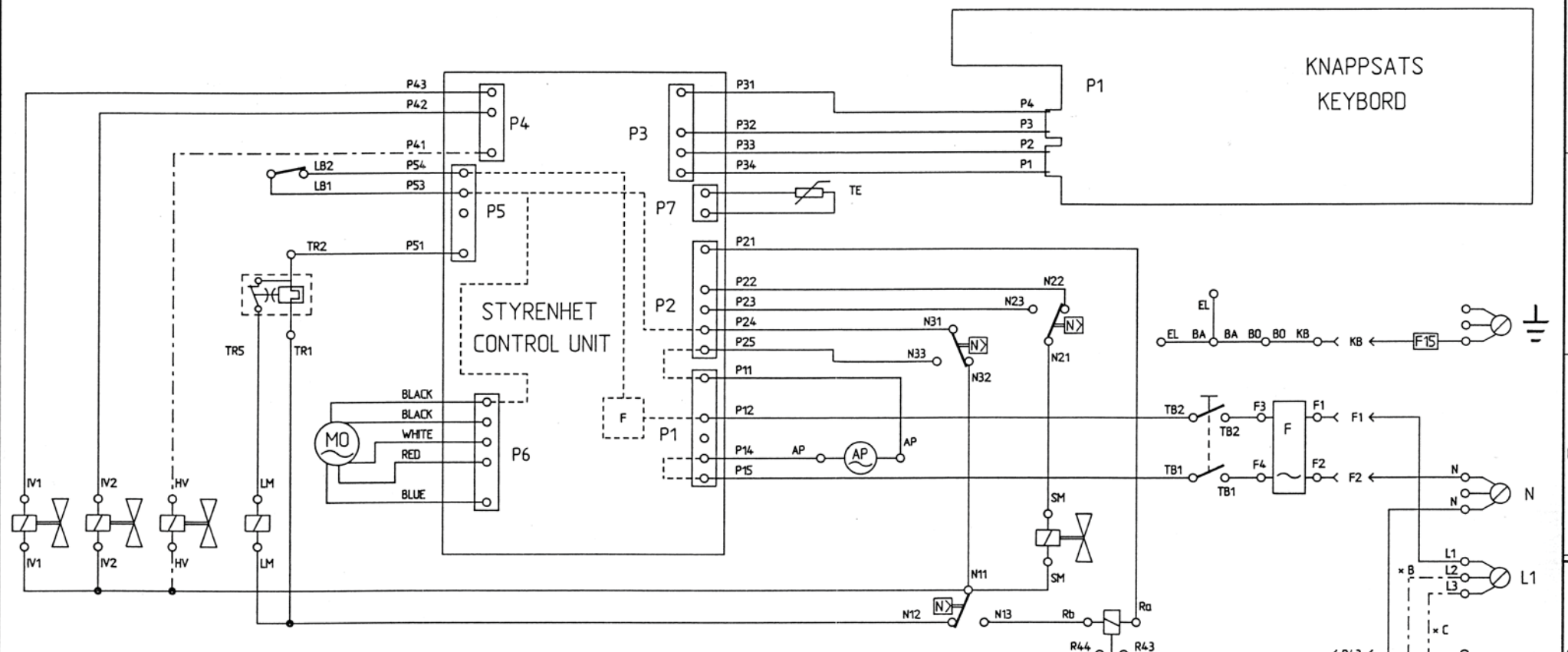
C

B

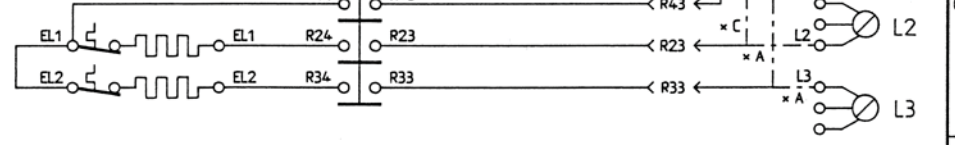
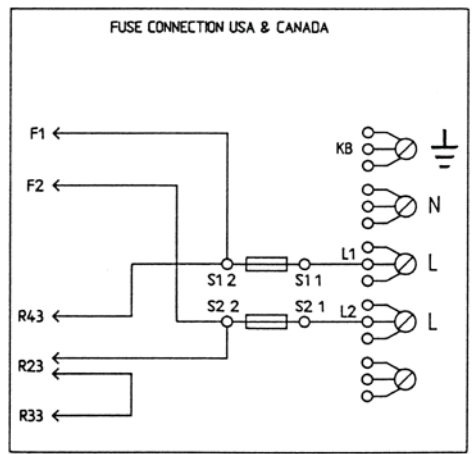
A

8 7 6 5 4 3 2 1 FORMAT A3

F  
E  
D  
C  
B  
A



- AP: AVLOPPSPUMP  
DRAINPUMP
- BA: BALJA  
TUB
- BO: BOTTEN  
BOTTOM
- EL1: VÄRMEELEMENT,HÖG EFFEKT  
HEATING ELEMENT,HIGH POWER
- EL2: VÄRMEELEMENT,LÅG EFFEKT  
HEATING ELEMENT,LOW POWER
- F: FILTER  
FILTER
- IV1: INLOPPSVENTIL FÖRTVÄTT OCH SKÖLJ  
INLET VALVE PREWASH AND RINSE
- IV2: INLOPPSVENTIL HUVUDTVÄTT  
INLET VALVE MAINWASH
- HV: INLOPPSVENTIL VARMVATTEN  
INLET VALVE HOT WATER
- SM: INLOPPSVENTIL SKÖLMEDEL  
INLET VALVE RINSEAGENT
- KB: KOMPONENTBRYGGA  
COMPONENT RACK
- LB: LUCKBRYTARE  
DOOR SWITCH
- LM: LUCKMAGNET  
DOOR SOLENOID
- MO: MOTOR  
MOTOR
- N: NIVÅBRYTARE  
LEVEL SWITCH
- R: RELÄ  
RELAY
- TB: TRYCKBRYTARE  
PUSH BOTTOM SWITCH
- TE: TERMISTOR  
THERMISTOR
- TR: TERMORELÄ  
THERMAL RELAY
- T: TERMOSTAT  
THERMOSTAT



----- ALTERNATIV KOPPLING  
ALTERNATIVE WIRING

----- INTERN KOPPLING  
INTERNAL WIRING

\* A : 3 FAS 10A / 3 PHASE 10A  
\* B : 1 FAS 10A / 1 PHASE 10A  
\* C : 1 FAS 15-16A / 1 PHASE 15-16A

KOMPLETTSHEMA NR. 80 607 09

Rev ind	Revision	Appd	Year	Week
---------	----------	------	------	------

Article No.	Name of item	Qty	Material,dimensions,type,etc.
Scale:	Gen.tolerance:	Description(English) CIRCUIT DIAGRAM WM200A	
Designed by P-A W	Drawn by CAD	Description(town language) KOPPLINGSSHEMA WM200A	
Drawing checked by	Iss by Dept UT	Year 95	Week 15
80 604 12			Rev ind Replace Replaced by
<b>ASKO CYLINDA</b>			