



Spare Parts Catalogue

ASKO Washing Machines \ ASKO 05 Generation
Type: WM220
Model: 20605 US white

Prod. No: 10720605
January 16th 2013

ASKO Appliances Inc.

4001 E Plano Parkway #1004001 E Plano Parkway #100
Plano, Texas 75074

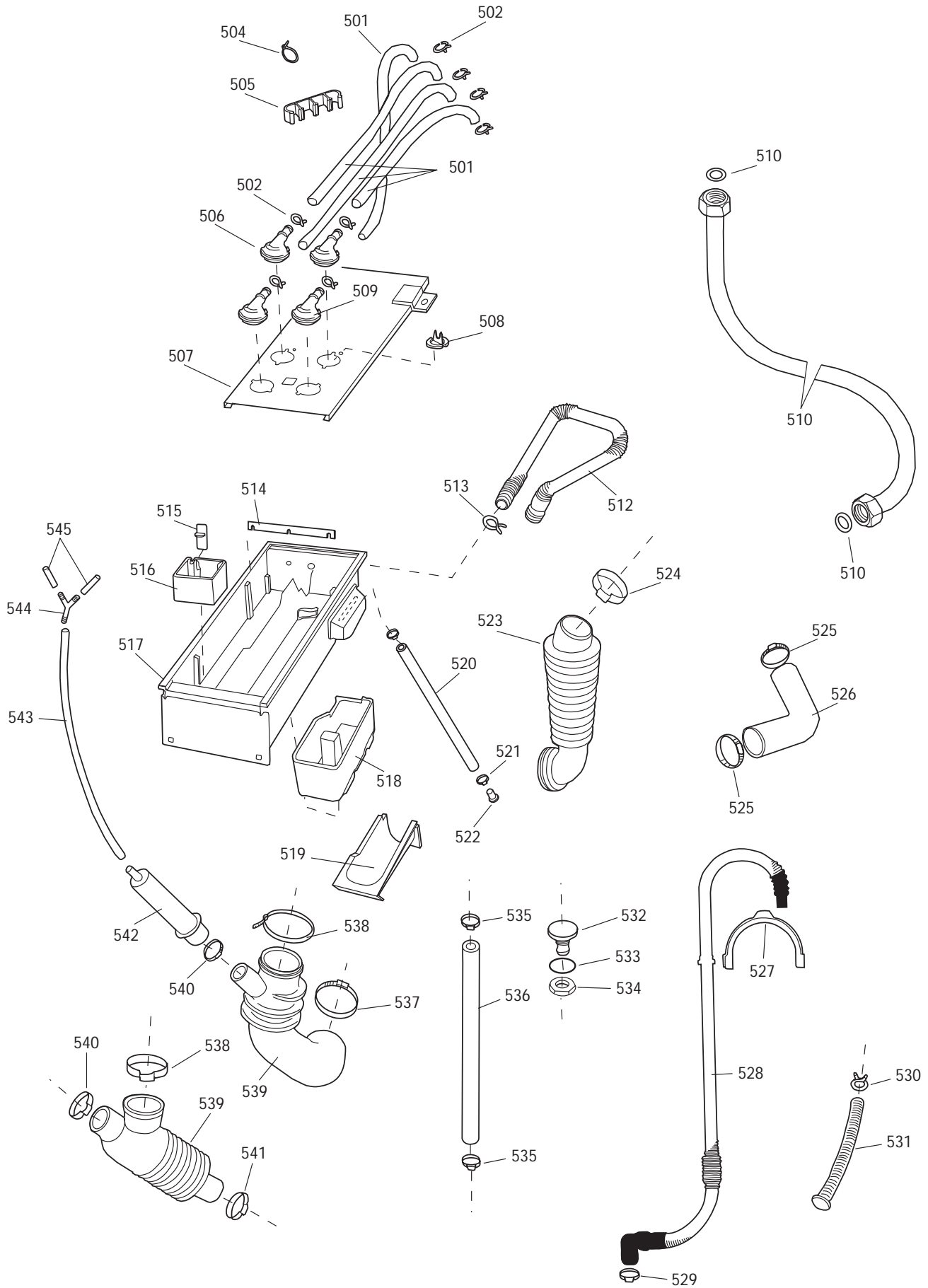
Datum

2003-05-02

Date

TVÄTTSYSTEM

WASHING SYSTEM



Washing System

ASKO, 20605 US - white (WM220)

Pos	Spare part No.	Description	Qty	Comment
501	8050535	Rubber Hose	3 Pc's	
502	8056656	Cable Tie	6 Pc's	
504	8002263	Cable Strip	1 Pc's	
506	8008027	Spray Head WM 03/05	2 Pc's	
507	8056484	Holder - Det Comp	1 Pc's	
507-a	8900026	Screw Nickel flathead	1 Pc's	
507-b	8901242	Nut	1 Pc's	
508	8051646	Hose Holder	1 Pc's	
509	8056638	Spray Head - Washer	1 Pc's	
510	8056950	Fill Hose Pex WM	1 Pc's	
510-a	33700738	Seal	2 Pc's	
512	8056112	Vent Hose WM	1 Pc's	
513	8052730	Hose Clip	1 Pc's	
514	33251781	Subs to 8050633	1 Pc's	
515	8009512	Siphon Tube	1 Pc's	
516	8050551	Disp. Fab. Softener 03/05 WM	Pc's	
516	8050551	Disp. Fab. Softener 03/05 WM	Pc's	
517	8056499-UL	Det. Comp Washer 05	1 Pc's	
518	8051665	detergent Cup Washer	1 Pc's	
520	8056623	Hose Spillway Overflow	1 Pc's	
521	8054196	Clamp	2 Pc's	
522	8053187	Stub Bottom	1 Pc's	
523	8055114	Bellows Hose	1 Pc's	
524	8052069	Hose Clip	1 Pc's	
527	8050805	HOLDER Drain Hose	1 Pc's	
528	8058963	Hose Drain Pump	1 Pc's	
529	8056491	Hose Clamp Squeeze	1 Pc's	
530	8052731	Squeeze Clamp	1 Pc's	
531	8060666	Drain Hose Outlet Pump	1 Pc's	
532	8055667	Stub Washer	1 Pc's	
533	7382087	O Ring	1 Pc's	
534	8055668	Nut	1 Pc's	
535	8054196	Clamp	1 Pc's	
536	8056598	Hose - Recirc	1 Pc's	
538	8051392	Hose Clip	1 Pc's	
539	8056380	Bellows Hose Lower 04/05 WM	1 Pc's	
540	8051673	Hose Clip	1 Pc's	
541	8056471	Hose Clips	1 Pc's	
542	8007642	Pressure Chamber	1 Pc's	
543	8009872	Rubber Hose	1 Pc's	
544	8051843	Y Pipe Water Level SW WM	1 Pc's	
545	8003862	Hose Y-Pipe to P-Switch WM	1 Pc's	
545	8005124	Rubber Hose	1 Pc's	

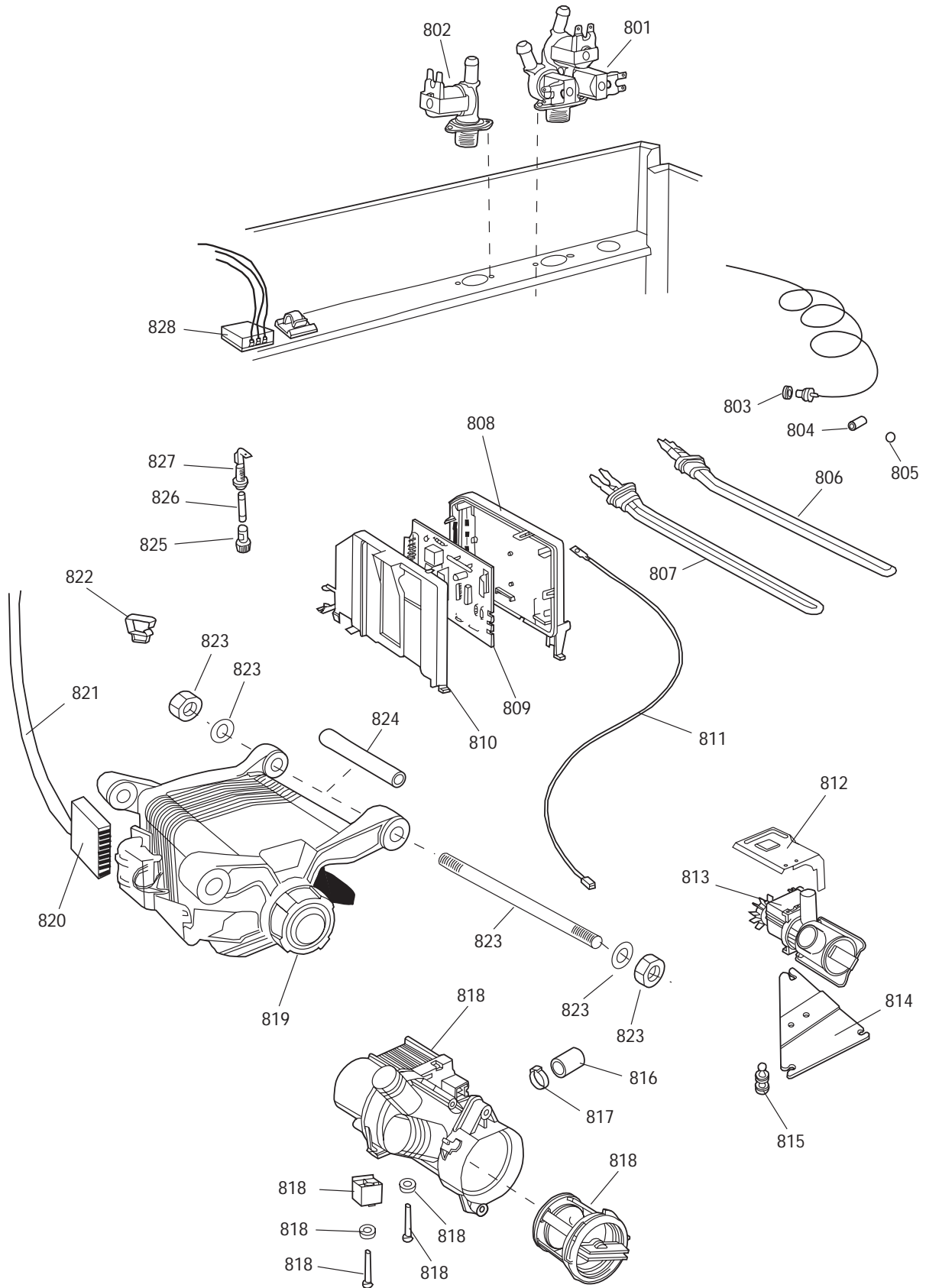
Datum

2003-05-02

Date

ELEKTRISK UTRUSTNING

ELECTRICAL EQUIPMENT



Electric Parts Lower Section

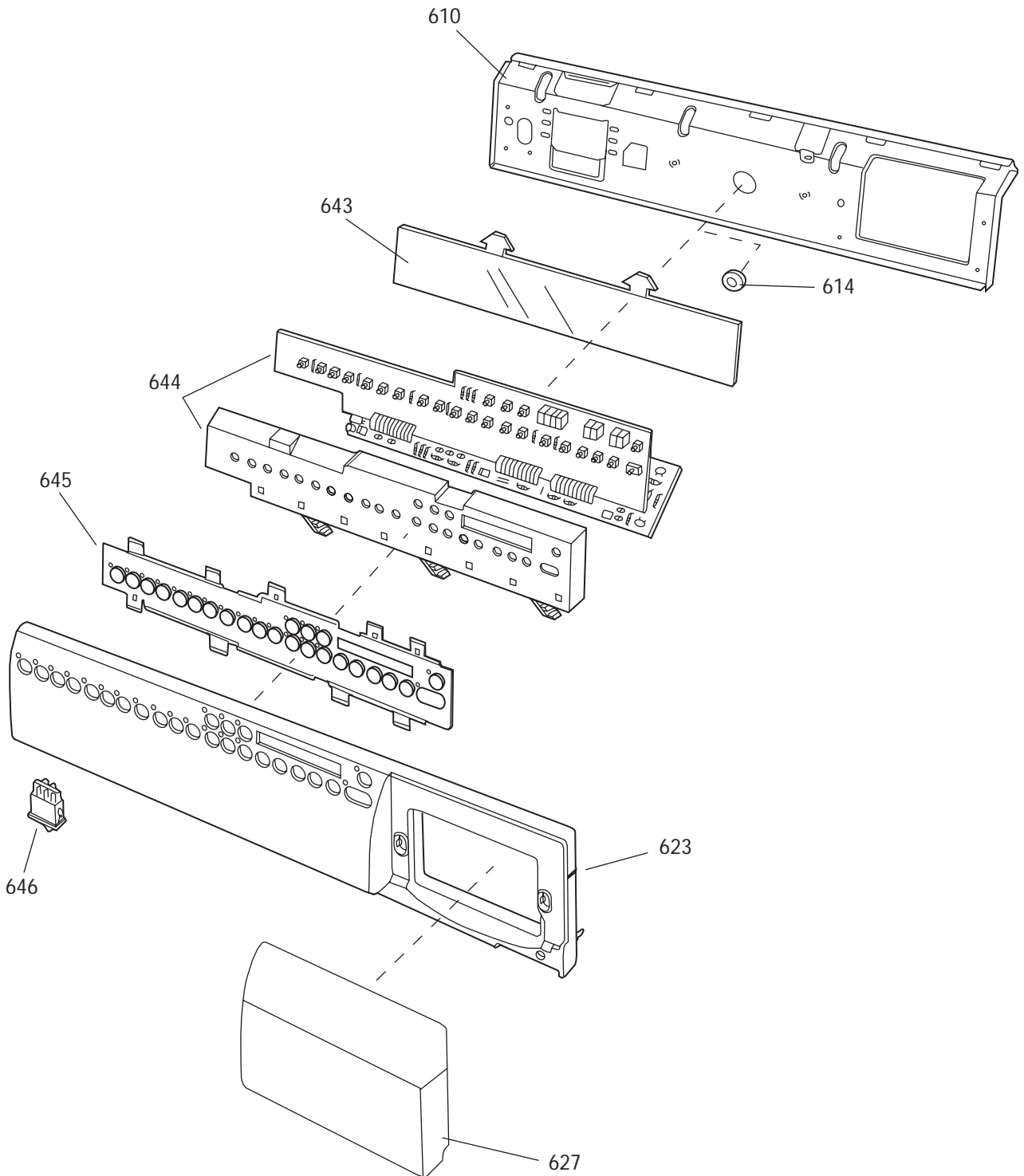
ASKO, 20605 US - white (WM220)

Pos	Spare part No.	Description	Qty	Comment
801	8008003	Fill Valve 03/05 W/O Clamps WM	1 Pc's	
801-a	8901097	Screw Terminal	2 Pc's	
801-b	8901413	Lock Washer laundry tops	2 Pc's	
805	33700450	Cable Strip	4 Pc's	
806	8058402	Heater WM 1800W 04/05 WM	1 Pc's	
807	8058403	Heater Washer 1200W WM	1 Pc's	
808	8061480	Holder Motor Controller	1 Pc's	
808-a	8901097	Screw Terminal	1 Pc's	
808-b	8901322	Washer	1 Pc's	
809	8061399	Board Mtr.13605 20605640/60	1 Pc's	
811	8062010	Thermistor	1 Pc's	
818	8801169	Drain Pump Kit (no housing or insert)	1 Pc's	Does not include Housing or Insert Kit 8801069
818-a	8058667	SPACER FOR OUTLET PUMP	1 Pc's	
818-b	8801069	Pump Insert-05 WM	1 Pc's	Pump Insert only
818-c	8901002	Screw	2 Pc's	
818-d	8901430	Spring Washer	2 Pc's	
819	8061558	Subs to 8065385	1 Pc's	
819-a	8801097	Brush to Motor Chk Model WM	1 Pc's	
820	8902332	Timerhouse	1 Pc's	
821	8062940	ADD. MOTOR BLOCK CeSet	1 Pc's	
822	8062025	Cable Harness Holder	3 Pc's	
823	8063591	Screw	2 Pc's	
823-a	8901155	Nut	2 Pc's	
823-b	8901193	Locking Nut	2 Pc's	
823-c	8901337	Washer	2 Pc's	
824	8058261	Spacer Tube Motor 05 WM	2 Pc's	
825	8801354	Fuse Holder Assembly	2 Pc's	For units produced before wk 34 2002
827	8801354	Fuse Holder Assembly	2 Pc's	For units produced before wk 34 2002

Datum
2003-05-02
Date

PANEL

CONTROL PANEL AND RELATED PARTS



Control/Facial Panel

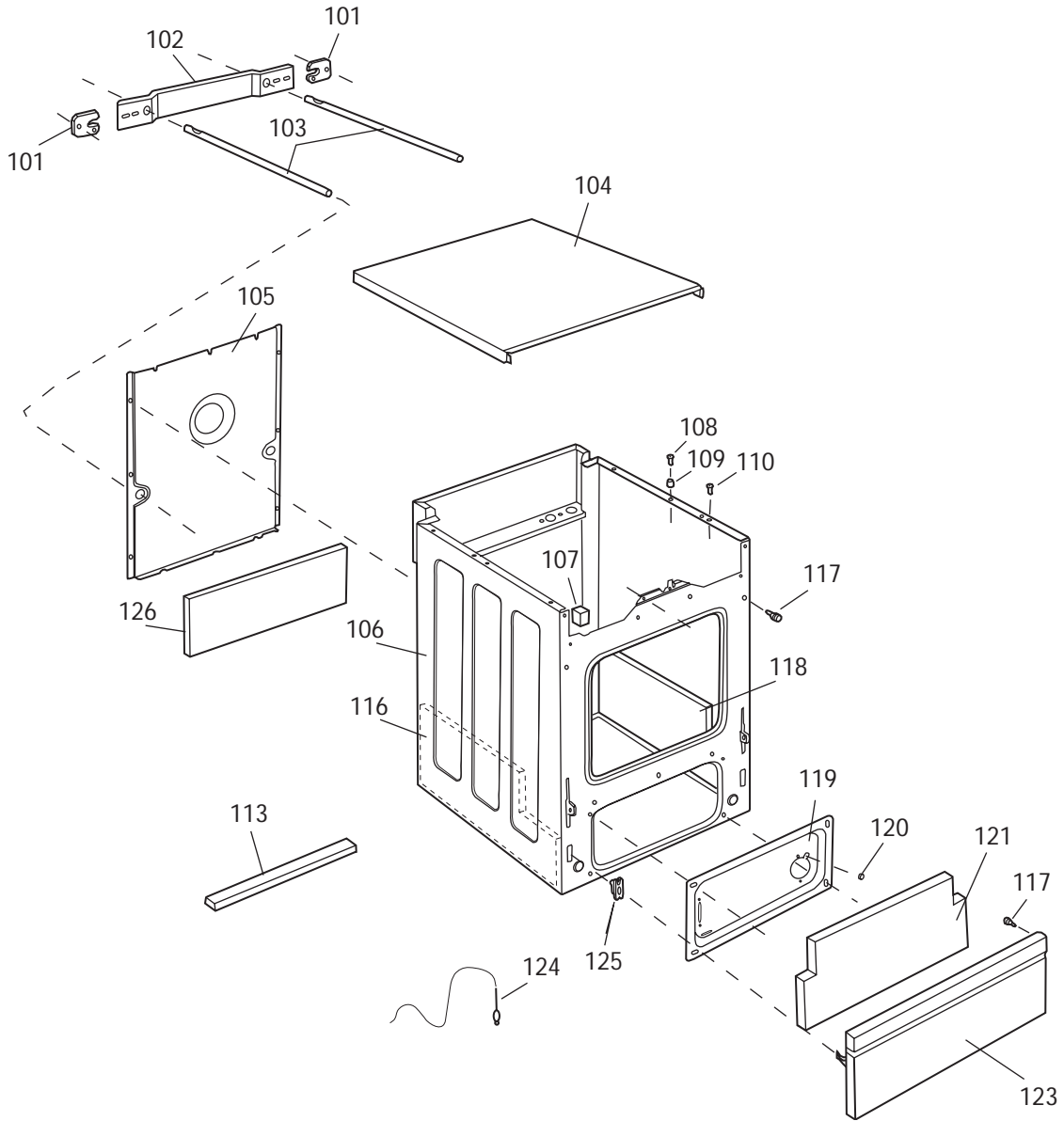
ASKO, 20605 US - white (WM220)

Pos	Spare part No.	Description	Qty	Comment
610	8062035	Front Beam WM 05	1 Pc's	
610-a	8900027	Screw	4 Pc's	
610-b	8902362	Screw 20 Torx Self Tapping	5 Pc's	
610-c	8901413	Lock Washer laundry tops	2 Pc's	
614	8060929	Grommet	1 Pc's	
623	8062740-0-UL	Panel Control w/handle W220	1 Pc's	
627	8059677-0-UL	Handle Det Comp WH 05 WM	1 Pc's	
643	8054364	Insulation Guard	1 Pc's	
644	8062336	Subs to 8062336-R. Keyboard/Di	1 Pc's	
645	8062454-0	Push Button 20605	1 Pc's	
646	8006265-0	Main Switch White WM200	1 Pc's	

Electric Parts Upper Section

ASKO, 20605 US - white (WM220)

Pos	Spare part No.	Description	Qty	Comment
701	8060975-UL	Cable Fuse Holder	1 Pc's	
702	8058558	RFI 05/06 WM	1 Pc's	
703	8001435	Cable Bracket	1 Pc's	
704	8050250	TERMINAL BLOCK Inside WM/TD	1 Pc's	
704-a	8901413	Lock Washer laundry tops	1 Pc's	
704-b	8902131	Screw	1 Pc's	
706	8060956	Cord Set UL 250V/20A	1 Pc's	
707	8006948	Grommet	1 Pc's	
708	8063021	LEVEL SWITCH WM	1 Pc's	
708-a	8900769	Screw	1 Pc's	
713	8061492	Bracket Comp.	1 Pc's	
713-a	8054485	Cable Strip	1 Pc's	
713-b	8902362	Screw 20 Torx Self Tapping	2 Pc's	
713-c	8901413	Lock Washer laundry tops	1 Pc's	
714	8064179	Relay 10 terminals WM	1 Pc's	
715	8058703	PROTECTION	1 Pc's	
719	8061432	Level Switch 20605	1 Pc's	
720	8061487	Board Upper 20605	1 Pc's	
721	8061481	Holder Program Control	1 Pc's	



Cabinet & Related Parts

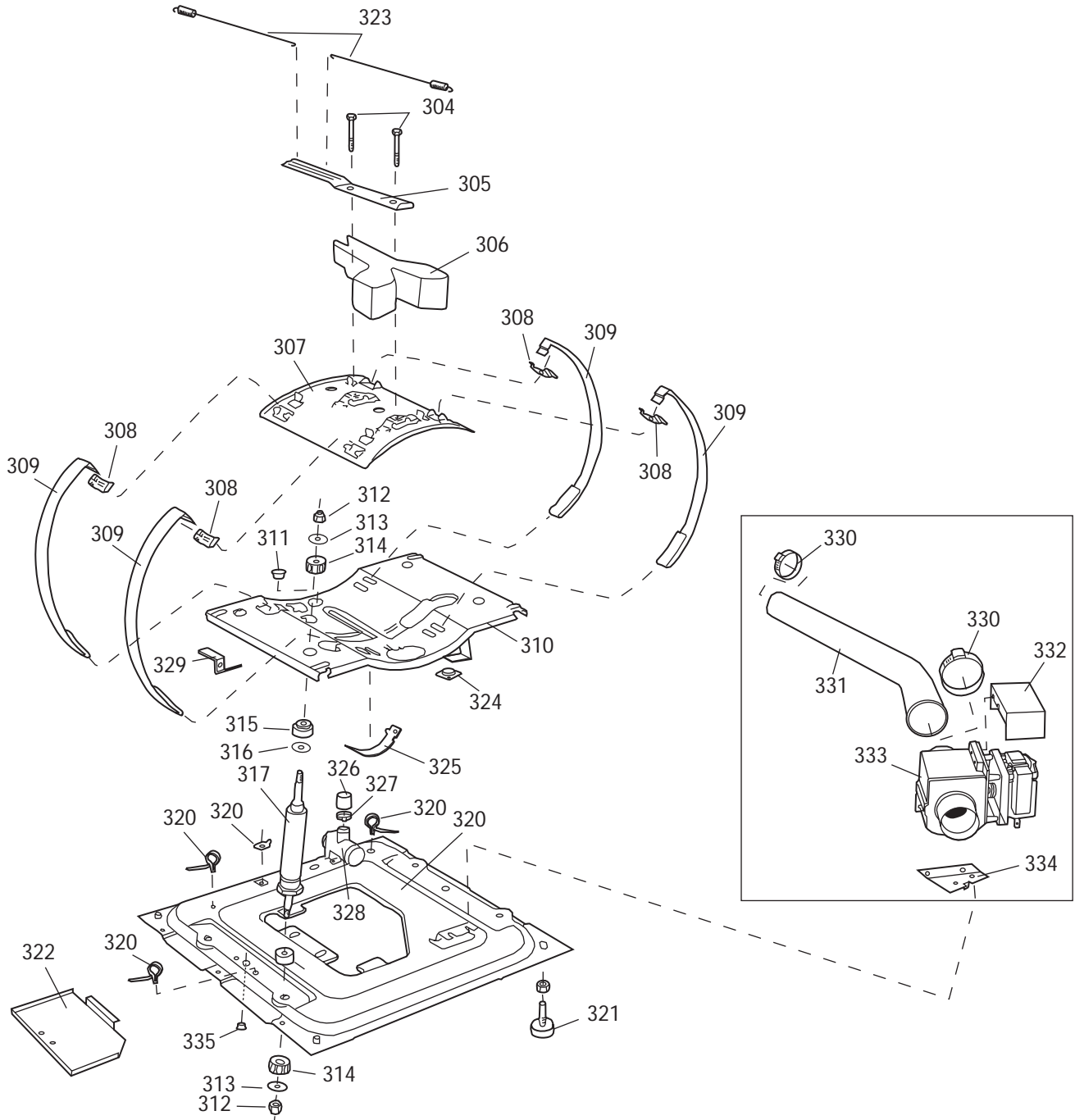
ASKO, 20605 US - white (WM220)

Pos	Spare part No.	Description	Qty	Comment
101	8008209	Washer Shipping Security WM	2 Pc's	
101-a	8902023	Screw Plastic 25 Torx	2 Pc's	
102	8007873	No Longer available	1 Pc's	
103	8007643	No Longer Available	2 Pc's	
104	8057034-0	Top Washer 03/05	1 Pc's	
104-a	8900369	Screw T25	3 Pc's	
104-b	8901415	LOCK WASHER AZ 5.3 GALV	3 Pc's	
105	8052516	Rear Panel Washer	1 Pc's	
105-a	8900328	Screw	9 Pc's	
105-b	8901415	LOCK WASHER AZ 5.3 GALV	2 Pc's	
106	8056990-0	NOT AVAILABLE	1 Pc's	
107	8052555	Buffer	1 Pc's	
108	8901619	Pop Rivet - Det Comp	3 Pc's	
109	8059485	Securing Pin	4 Pc's	
110	8901620	POP-RIVET AL/ST 4X14Pop Rivet	1 Pc's	
113	8056469	No Longer Available	1 Pc's	
116	8054984	Insulation Cabinet Left	1 Pc's	
117	7382154	Rubber Buffer WM 03/05	4 Pc's	
118	8054985	Insulation Cabinet Right	1 Pc's	
119	8060964	Service Cover	1 Pc's	
119-a	8902362	Screw 20 Torx Self Tapping	4 Pc's	
119-b	8901413	Lock Washer laundry tops	2 Pc's	
119-c	8060929	Grommet	1 Pc's	
121	8054987	Insulation Lower Cover	1 Pc's	
123	8008092-0	Lower Cover 03 W/D04/05 Wsh	1 Pc's	
124	8056889	Ring - Emergency Open	1 Pc's	
124-a	8900453	Screw - Opening	1 Pc's	
125	8007658	Holder-Lower Cover 03/05 TD/WM	2 Pc's	
126	8054986	NLA-Insulation Rear Panel	1 Pc's	

Datum
2003-05-02
Date

STÖDVAGGA

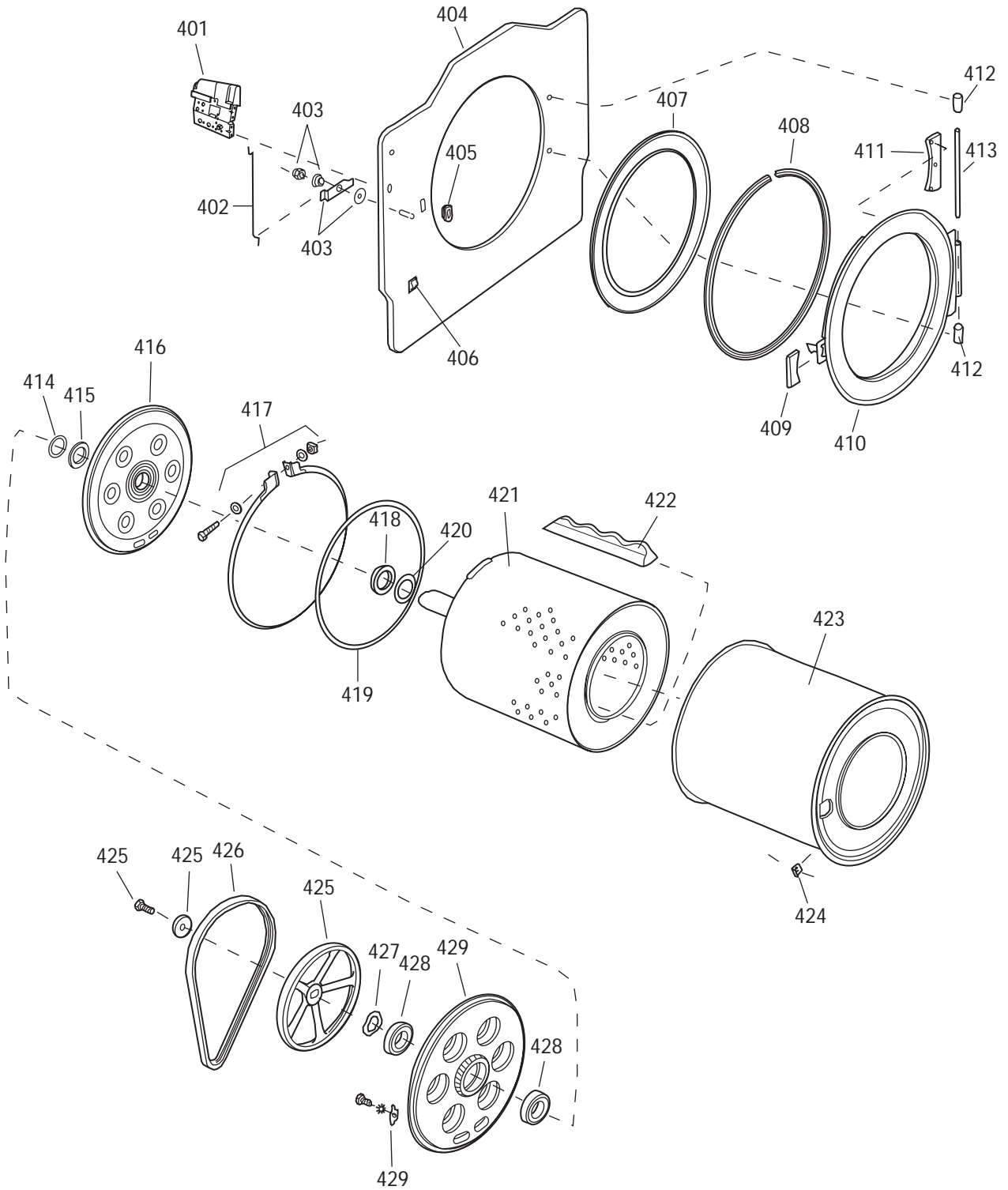
SUPPORT CRADLE AND RELATED PARTS



Support Cradle

ASKO, 20605 US - white (WM220)

Pos	Spare part No.	Description	Qty	Comment
304	8901034	Screw	2 Pc's	
305	8007766	Spring Mount - Holder	1 Pc's	
306	8056640-1	Counter Weight 200	1 Pc's	
307	8008288	Lower Weight Bracket	1 Pc's	
308	33256329	Tub Band clip	4 Pc's	
309	33256963	Tub Bands	4 Pc's	
310	8062038	Supp Cradle Comp.	1 Pc's	
311	8055084	Plug	1 Pc's	
312	8901193	Locking Nut	7 Pc's	
313	33256445	washer	8 Pc's	
314	8055797	Rubber Buffer Spring Leg	8 Pc's	
315	8055796	Rubber Buffer Spring Leg	8 Pc's	
316	33250290	Washer	4 Pc's	
317	8055493	Spring Leg AS 269.5-30/30	4 Pc's	
320	8058036	NLA - Bottom/Base WM80-WM220	1 Pc's	
320-a	33700183	Terminal	1 Pc's	
320-b	8054485	Cable Strip	2 Pc's	
320-c	8900369	Screw T25	13 Pc's	
320-d	8901097	Screw Terminal	1 Pc's	
320-e	8901413	Lock Washer laundry tops	1 Pc's	
321	8059334	Leveling Leg Comp. WMD 20	4 Pc's	
322	8062611	Coverplate Bottom	1 Pc's	
322-a	8902362	Screw 20 Torx Self Tapping	2 Pc's	
322-b	8901498	SPEEDNUT SNK6602	2 Pc's	
323	8007943	Balancing Spring W600's	2 Pc's	
329	8059666	Holder Thermistor	1 Pc's	
329-a	8901097	Screw Terminal	1 Pc's	



Cylinder & Container

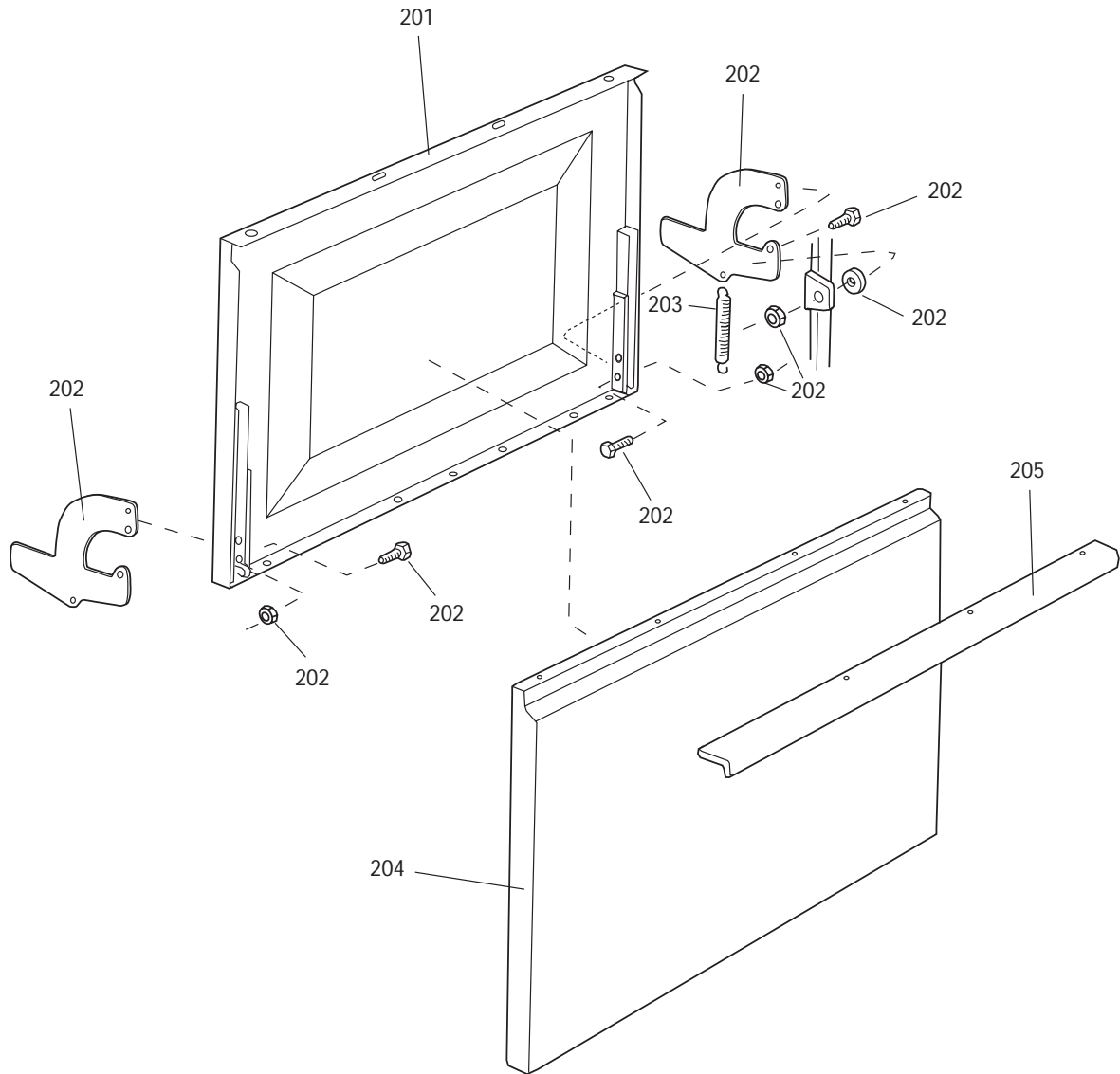
ASKO, 20605 US - white (WM220)

Pos	Spare part No.	Description	Qty	Comment
401	8055473	Door Switch - DW 05/06	1 Pc's	
401	8057594	LOCK COMPL. FRONTWASHER	1 Pc's	
401-a	8902362	Screw 20 Torx Self Tapping	4 Pc's	
402	8007879	Pull Rod	1 Pc's	
403	8055209	Lock Release	1 Pc's	
403-a	33202756	Bushing Door Lock 03/05	1 Pc's	
403-b	33256918	Spacer - Door Lock	1 Pc's	
403-c	8901192	Locking Nut WM 03/05	1 Pc's	
404	8008149-0	Cover Plate White	1 Pc's	
404-a	33525519	WASHER 5.3X13X1.0 FZB	2 Pc's	
404-b	8900950	SCREW M6S 8.8 M5X8 S-LOCK	2 Pc's	
405	33302953-0	Bushing Door Catch WM 03/04/05	1 Pc's	
406	8002498	Cable Bracket	2 Pc's	
407	8056351	NLA - Door Seal Washer 02/05	1 Pc's	
408	33303048	LockRing Door Seal WM 03/04/05	1 Pc's	
409	8059690-0	Cover door latch 05 Laundry	1 Pc's	
410	8801106-0	Glass Door Comp. WM03/04/05	Pc's	
410	8801106-0	Glass Door Comp. WM03/04/05	Pc's	
411	8062994	Hinge Glass Door 03/05 WM	1 Pc's	
411-a	33451808	Screw	3 Pc's	
412	8801177	Hinge Bushing Serv. Kit	1 Pc's	
413	8050583	Door Hinge Shaft WM 03/04	1 Pc's	
414	8901760	O-Ring stub/support assy.	1 Pc's	
415	8008474	Thrower Ring 04/05 WM	1 Pc's	
416	8056933	Rear Panel Tub Washer	1 Pc's	
417	8801105	Svc. Kit WM 200	1 Pc's	
418	8056433	VRingWM110/200/120A/200A/220A	1 Pc's	
419	8062049	Seal Rear Washer Pane WM	1 Pc's	
420	8055670	Washer SS - Tub Shaft WM	1 Pc's	
421	8801061	Inner Drum Complete WM200	Pc's	
421	8801061	Inner Drum Complete WM200	Pc's	
422	8053858	Drum Paddle WM 04/05	3 Pc's	
422-a	8902090	Screw	3 Pc's	
423	8056937	Container Outer 200	1 Pc's	
424	8055677	Holder - Cover Plate	4 Pc's	
424-a	8901002	Screw	4 Pc's	
424-b	8901430	Spring Washer	4 Pc's	
425	8051142	Pulley	1 Pc's	
425-a	8057209	Washer Level Leg DW	1 Pc's	
425-b	8901052	Screw	1 Pc's	
426	8052054	Belt Antistatic WM200 A	1 Pc's	
427	33526293	Wavy Washer LG. Drum Shaft WM	1 Pc's	
428	33600415	Bearing Drum 03/05 WM	2 Pc's	
429	8008187	Rear Panel w/Bearing WM	1 Pc's	
429-a	33700183	Terminal	1 Pc's	
429-b	8901097	Screw Terminal	1 Pc's	
429-c	8901413	Lock Washer laundry tops	1 Pc's	

Datum
2003-05-02
Date

YTTERLUCKA

OUTERDOOR AND RELATED PARTS

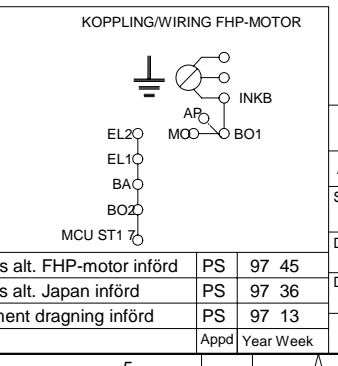
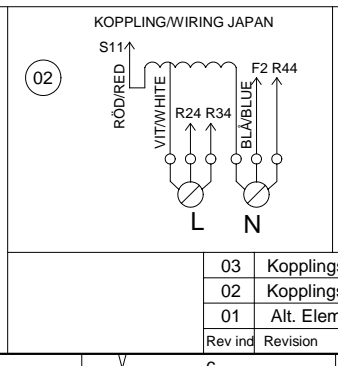
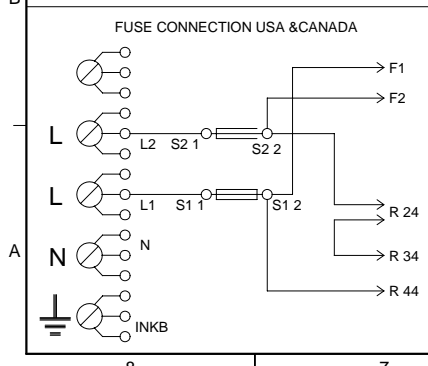
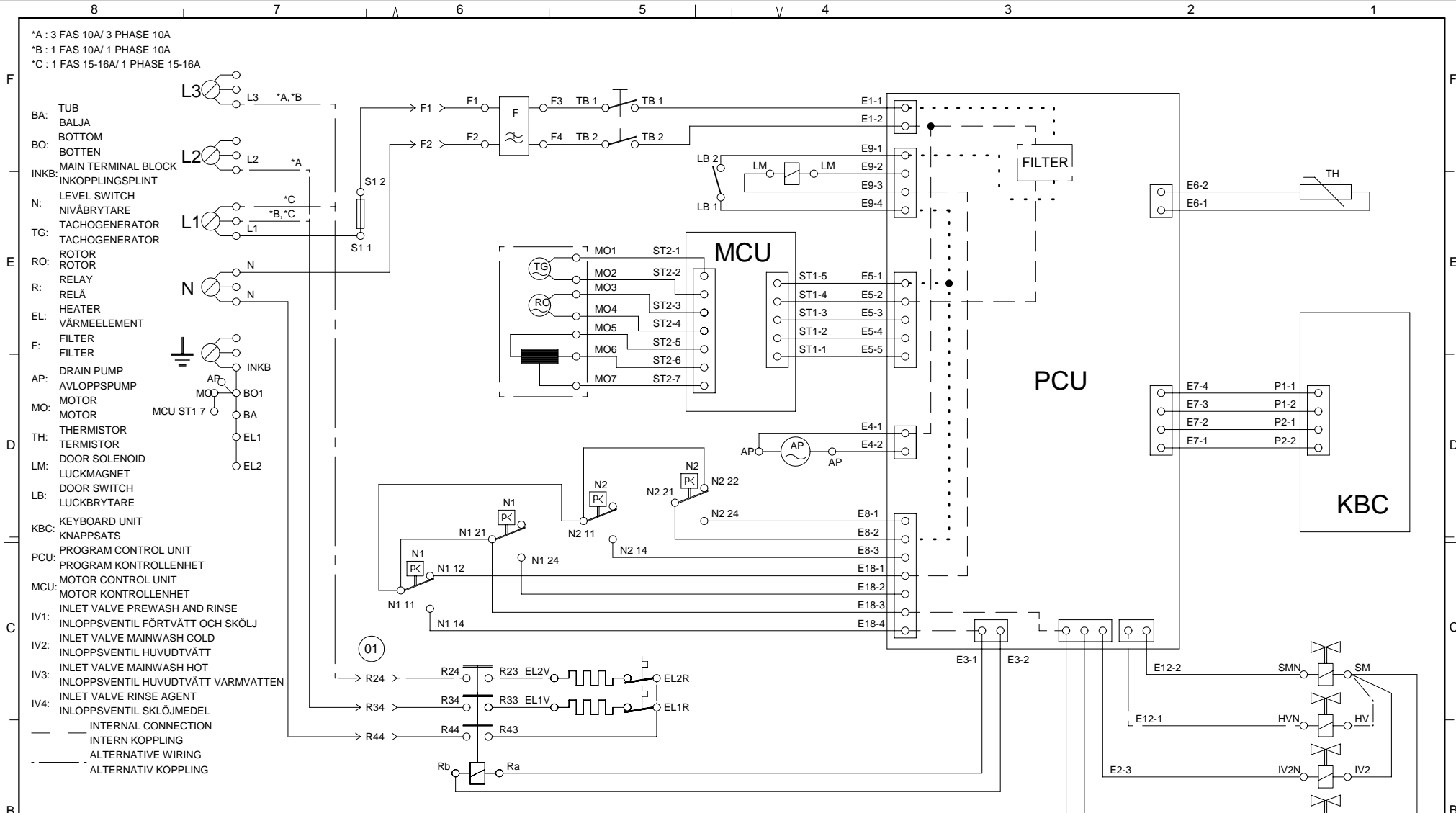


Door & Related Parts

ASKO, 20605 US - white (WM220)

Pos	Spare part No.	Description	Qty	Comment
201	8008106	SS Inner Door	1 Pc's	
202	33958694	Hinge - Washer	2 Pc's	
202-a	7382628	Nylon Washer	2 Pc's	
202-b	8901002	Screw	4 Pc's	
202-c	8901004	Screw	2 Pc's	
202-d	8901154	NUT M6 BH8 GALV	4 Pc's	
202-e	8901192	Locking Nut WM 03/05	2 Pc's	
203	8054952	Door Spring	1 Pc's	
204	8007750-0	Outer door White	1 Pc's	
204-a	8900346	Screw	4 Pc's	
205	8056420-0	Door Handle - Washer 04	1 Pc's	
205-a	8900395	Screw	4 Pc's	

KOMPLETTSKEMA Nr: 80 615 18



03	Kopplings alt. FHP-motor införd	PS	97 45
02	Kopplings alt. Japan införd	PS	97 36
01	Alt. Element dragning införd	PS	97 13
Rev ind	Revision	Appd	Year Week

Article No.	Name of item	Qty	Material, dimensions, type, etc.
Scale:	Gen.tolerance:	Description(English) CIRCUIT DIAGRAM WM220	
Designed by H.T.	Drawn by CAD	Description(own language) KOPPLINGSSKEMA WM220	
Drawing checked by	Iss by Dept UT	Year 96	Week 15
ASKO CYLINDA			80 614 86
Rev Ind 03	Replace 8061486 rev02	Replaced by PS	