



Unvented Fireboxes

Installation and Operating Instructions

Models: GCUF, GRUF

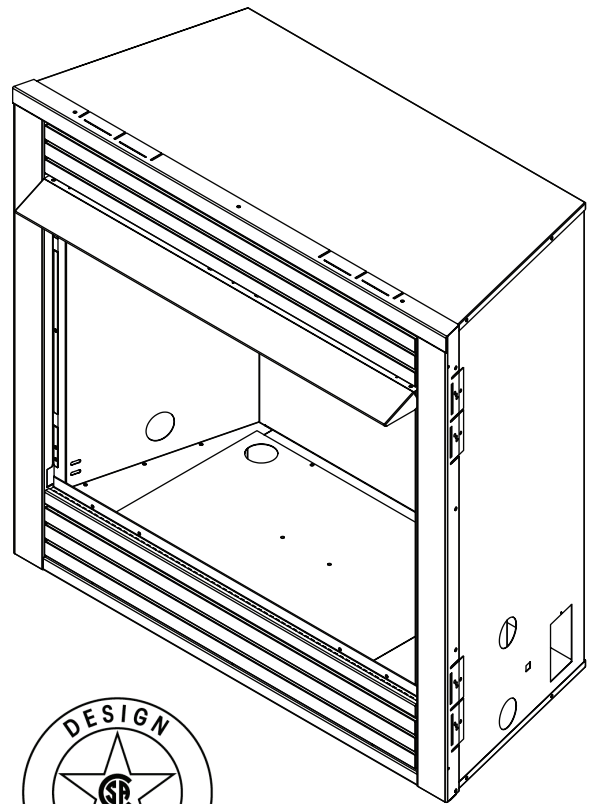
⚠️ WARNINGS

If the information in this manual is not followed exactly, a fire or explosion may result causing property damage, personal injury or loss of life.

- Do not store or use gasoline or other flammable vapors and liquids in the vicinity of this or any other appliance.
- **WHAT TO DO IF YOU SMELL GAS**
 - Do not try to light any appliance.
 - Do not touch any electrical switch; do not use any phone in your building.
 - Immediately call your gas supplier from a neighbor's phone. Follow the gas supplier's instructions.
 - If you cannot reach your gas supplier, call the fire department.
- Installation and service must be performed by a qualified installer, service agency or the gas supplier.

Carefully review the instructions supplied with the decorative type unvented room heater for the minimum fireplace size requirement.

DO NOT INSTALL AN APPLIANCE IN THIS FIREBOX UNLESS THIS FIREBOX MEETS THE MINIMUM DIMENSIONS REQUIRED FOR THE INSTALLATION.



For use with a listed gas-fired unvented decorative room heater not to exceed 40,000 BTU/hr. *Do Not Build a Wood Fire.*

INSTALLER: Leave this manual with the appliance.
CONSUMER: Retain this manual for future reference.

PLEASE READ THE INSTALLATION & OPERATING INSTRUCTIONS BEFORE USING APPLIANCE.

Thank you and congratulations on your purchase of a Monessen vent free firebox.

IMPORTANT: Read all instructions and warnings carefully before starting installation. Failure to follow these instructions may result in a possible fire hazard and will void the warranty.

- Important Safety Information3**
- General Installation Information5**
 - Before You Start.....5
 - What You Will Need for Installation.....5
- Firebox and Framing Dimensions.....6**
- Hearth Dimensions.....7**
- Firebox Location.....7**
- Minimum Clearances.....8**
- Firebox Framing9**
- Fireplace Installation.....10**
- Canopy Installation10**
- Gas Line Installation 11**
- Combustion Air.....12**
 - Optional AK4 Outside Air Kit 13
 - Model 403 Duct Connector 14
- Optional Equipment15**
- Service Parts16**
- Warranty 19**

INSTALLER

Please leave these instructions with the appliance.

OWNER

Please retain these instructions for future reference.

⚠WARNING!

- Any change to this heater or its controls can be dangerous.
- Improper installation or use of the heater can cause serious injury or death from fire, burns, explosion or carbon monoxide poisoning.
- Do not allow fans to blow directly into the fireplace. Avoid any drafts that alter burner flame patterns.
- Do not use a blower insert, heat exchanger insert or other accessory, not approved for use with this heater where applicable.

1. Due to high temperatures, the firebox should be located out of traffic and away from furniture and draperies.
2. Children and adults should be alerted to the hazard of high surface temperature and should stay away to avoid burns or clothing ignition.
3. Young children should be carefully supervised when they are in the same room with the firebox.
4. Do not place clothing or other flammable material near the fireplace when the firebox is in use.
5. Any safety screen or guard removed for servicing, must be replaced prior to operating a heater within the firebox.
6. Installation and repair should be done by a qualified service person.
7. To prevent malfunction and/or sooting, an unvented gas heater/firebox should be cleaned at least annually by a professional service person. More frequent cleaning may be required due to excessive lint from carpeting, etc. It is imperative that control compartments, burners and circulating air passageways be kept clean.
8. **CARBON MONOXIDE POISONING:** Early signs of carbon monoxide poisoning are similar to the flu with headaches, dizziness and/or nausea. If you have these signs, obtain fresh air immediately. Have the heater serviced as it may not be operating properly.
9. The installation must conform with local codes or, in the absence of local codes, with the National Fuel Gas Code, ANSI Z223.1/NFPA54.
10. This unit complies with ANSI Z21.91 ventless firebox enclosures for gas-fired unvented decorative room heaters.
11. Do not install the unvented heater in a bathroom.
12. Do not install the unvented heater in a bedroom unless the maximum input rating is equal to or less than 10,000 Btu/hr.
13. Correct installation of the ceramic fiber logs, proper location of the heater, and annual cleaning are necessary to avoid potential problems with sooting. Sooting, resulting from improper installation or operation, can settle on surfaces outside the fireplace. See log placement instructions for proper installation.
14. Avoid any drafts that alter burner flame patterns. Do not allow fans to blow directly into fireplace. Do not place a blower inside burn area of firebox. Ceiling fans may create drafts that alter burner flame patterns. Sooting and improper burning will occur.
15. **CAUTION:** Candles, incense, oil lamps, etc. produce combustion byproducts including soot. Vent-free appliances will not filter or clean soot produced by these types of products. In addition, the smoke and/or aromatics (scents) may be re-burnt in the vent-free appliance which can produce odors. It is recommended to minimize the use of candles, incense, etc. while the vent-free appliance is in operation.
16. An unvented gas-fired heater uses air (oxygen) from the room in which it is installed. Provisions for adequate combustion and ventilation air must be provided. See installation guidelines.
17. Keep room area clear and free from combustible materials, gasoline and other flammable vapors and liquids.
18. Unvented gas heaters are a supplemental zone heater. They are not intended to be a primary heating appliance.
19. Unvented gas heaters emit moisture into the living area. In most homes of average construction, this does not pose a problem. In houses of extremely tight construction, additional mechanical ventilation is recommended.
20. During manufacturing, fabricating and shipping, various components of this appliance are treated with certain oils, films or bonding agents. These chemicals are not harmful but may produce annoying smoke and smells as they are burned off during the initial operation of the appliance; possibly causing headaches, or eye or lung irritation. This is a normal and temporary occurrence.

Continued on page 4

Continued from page 3

The initial break-in operation should last two to three hours with the burner at the highest setting. Provide maximum ventilation by opening windows or doors to allow odors to dissipate. Any odors remaining after this initial break-in period will be slight and will disappear with continued use.

21. Input ratings are shown in BTU per hour and are for elevations up to 2,000 feet. For elevations above 2,000 feet, input ratings should be reduced 4 percent for each 1,000 feet above sea level. Refer to the National Fuel Gas Code.
22. The appliance and its appliance main gas valve must be disconnected from the gas supply piping system during any pressure testing of that system at test pressures in excess of 1/2 psig (3.5 kPa).
23. The appliance must be isolated from the gas supply piping system by closing its equipment shutoff valve during any pressure testing of the gas supply piping system at test pressures equal to or less than 1/2 psig (3.5 kPa).
24. Do not use this room heater if any part has been under water. Immediately call a qualified service technician to inspect the room heater and to replace any part of the control system and any gas control which has been under water.
25. Never burn solid fuels in a fireplace where a unvented room heater is installed.
26. Always have a fireplace screen in place when the appliance is in operation, and unless other provisions for combustion air are provided, the screen shall have an opening(s) for induction of combustion air.
27. Do not fill spaces around the firebox with insulation or other materials. These spaces must be maintained to prevent the firebox from coming in contact with combustible materials.

⚠ WARNING!

Do not attempt to burn solid wood fuels, vented gas log sets, or any other combustible in this unvented firebox. Also, do not install a vent-free gas log set in this firebox if the minimum clearance and height requirements of the log set are too large for the firebox.

***Notice:** Illustrations shown in this manual reflect "typical" installations with nominal dimensions and are for design and framing reference only. Actual installations may vary due to individual design preferences. However, always maintain minimum clearances to combustible materials and do not violate any specific installation requirements.*

**NATIONAL
FIREPLACE
INSTITUTE**



CERTIFIED
www.nficertified.org

We recommend that our gas hearth products be installed and serviced by professionals who are certified in the U.S. by the National Fireplace Institute® (NFI) as NFI Gas Specialists.



WARNING: This product and the fuels used to operate this product (liquid propane or natural gas), and the products of combustion of such fuels, can expose you to chemicals including benzene, which is known to the State of California to cause cancer and reproductive harm. For more information go to: www.P65Warnings.ca.gov.

The new GCUF and GRUF Series are vent-free fireboxes. They feature a self contained heat-circulating system.

This installation manual will enable you to obtain a safe, efficient and dependable installation of your vent-free fireplace system.

Do not alter or modify the firebox or its components under any circumstances. Any modification or alteration of the firebox system, including but not limited to the firebox and accessories, may void the warranty, listings and approvals of this system and could result in an unsafe and potentially dangerous installation.

BEFORE YOU START

Carefully inspect the contents for shipping damage. If any parts are missing or damaged, immediately inform the dealer from whom you purchased the appliance. Do not attempt to install any part of the appliance unless you have all the parts in good condition.

MAKE SURE YOU HAVE RECEIVED ALL PARTS

Check that all listed parts have been received. You should have the following:

1. Vent-Free Gas Firebox
2. Canopy
3. Installation and Operating Instructions
4. Five (5) sheet metal screws for canopy

WHAT YOU WILL NEED FOR INSTALLATION TOOLS and BUILDING SUPPLIES

- Phillips screwdriver
- Framing materials
- Saw and / or saber saw
- Level
- Measuring tape
- Electric drill and bits
- Fireplace surround materials (*noncombustible*)
- Caulking material (*noncombustible*)
- Wall finishing materials
- Piping complying with local codes
- Pipe sealant approved for use with propane/L.P.G. (*resistant to sulfur compounds*)
- Square
- Hammer
- Tee joint
- Pipe wrench
- Pliers

Refer to the installation instructions provided with the log sets for items required for log set installation.

In planning the installation for the appliance it is necessary to determine where the unit is to be installed and whether optional accessories are desired. Gas supply piping should also be planned. The following steps represent the normal sequence of installation. Each installation is unique, however, and might require a different sequence.

1. Position firebox prior to framing or into prepared framing.
2. Field wire main power supply to models with fan kit. (Electrical connections should only be performed by an experienced, licensed /certified tradesman).
3. Plumb gas line. (Gas connections should only be performed by an experienced, licensed/certified tradesman).
4. Install vent-free gas log heater per the instructions provided with the vent-free gas log heater.
5. Complete finish wall material, surround and optional hearth extension to your individual taste.

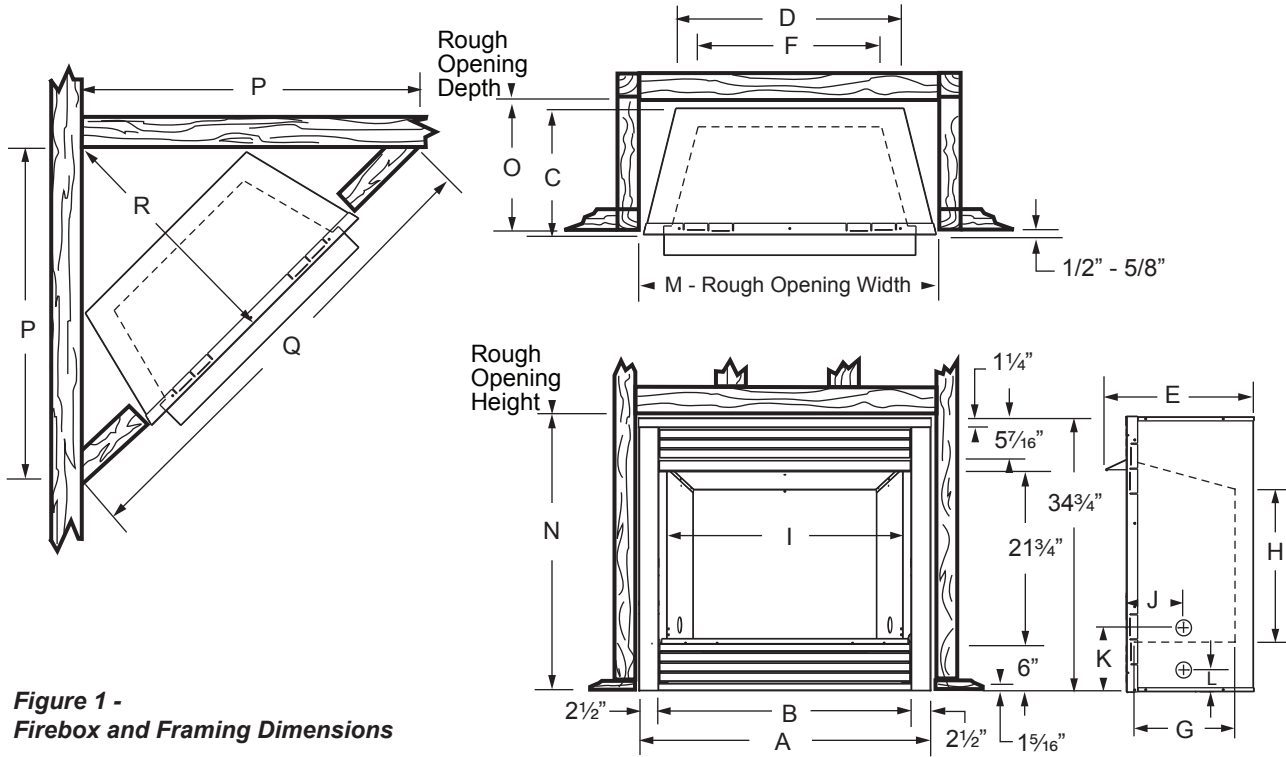
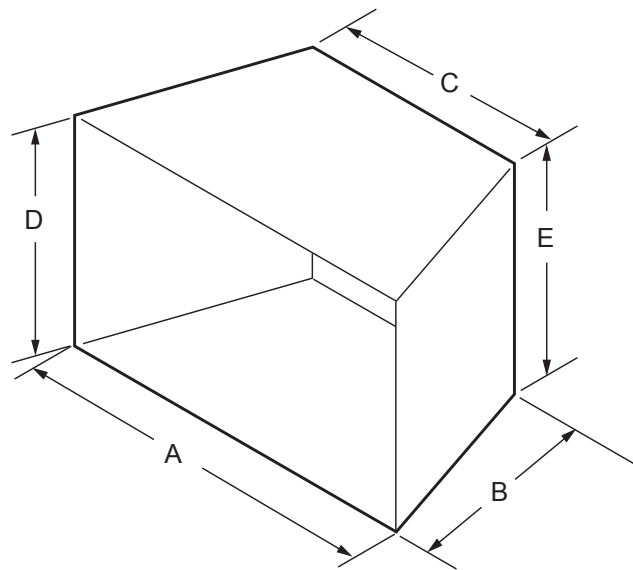


Figure 1 - Firebox and Framing Dimensions

Ref.	GCUF32C/GRUF32C	GCUF36C/GRUF36C	GCUF42C/GRF42C
A	37"	41"	47"
B	32"	36"	42"
C	16"	18"	18"
D	29"	32"	38"
E	18 ⁵ / ₈ "	20 ⁵ / ₈ "	20 ⁵ / ₈ "
F	23 ³ / ₈ "	27 ³ / ₈ "	33 ³ / ₈ "
G	13 ¹ / ₄ "	15 ³ / ₄ "	15 ³ / ₄ "
H	18"	17 ⁵ / ₈ "	17 ⁵ / ₈ "
I	29 ⁷ / ₈ "	34"	40"
J	7 ¹ / ₈ "	9 ³ / ₄ "	9 ³ / ₄ "
K	8"	8 ¹ / ₄ "	8 ¹ / ₄ "
L	2 ³ / ₄ "	2 ¹ / ₄ "	2 ¹ / ₄ "
M	37 ¹ / ₄ "	41 ¹ / ₄ "	47 ¹ / ₄ "
N	35"	35"	35"
O	15 ¹ / ₂ "	17 ¹ / ₂ "	17 ¹ / ₂ "
P	43 ³ / ₄ "	48 ³ / ₄ "	53"
Q	61 ¹ / ₄ "	68 ⁷ / ₈ "	74 ⁷ / ₈ "
R	30 ⁷ / ₈ "	34 ¹ / ₂ "	37 ¹ / ₂ "



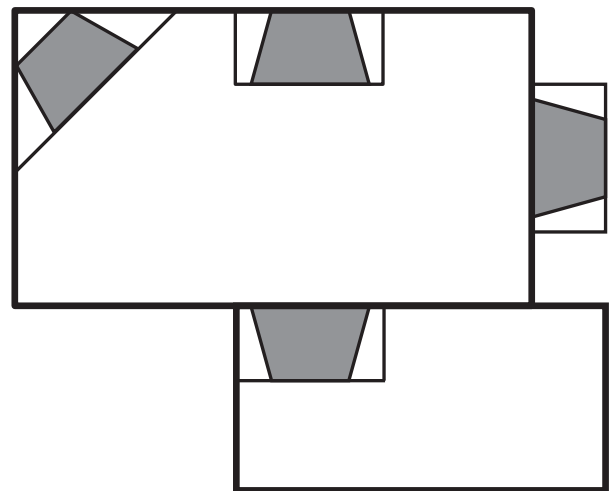
Ref.	GCUF/GFRUF32C	GCUF/GRUF36C	GCUF/GRUF42C
A	29 ⁷ / ₈ "	34"	40"
B	13 ¹ / ₄ "	15 ³ / ₄ "	15 ³ / ₄ "
C	23 ³ / ₈ "	27 ³ / ₈ "	33 ³ / ₈ "
D	21 ¹ / ₈ "	21 ¹ / ₈ "	21 ¹ / ₈ "
E	18"	17 ⁵ / ₈ "	17 ⁵ / ₈ "

Figure 2 - Minimum Hearth Dimensions

LOCATION OF FIREBOX

Carefully select the best location for installation of your vent-free firebox. The following factors should be taken into consideration:

- Clearance to side wall, ceiling, woodwork and windows. See "Clearances/Height Requirements on page 8. Minimum clearances to combustibles **must be maintained**.
- Location must not be affected by drafts caused by kitchen exhaust fans, ceiling fans, return air registers for forced air furnaces / air conditioners, windows or doors.
- Installation must provide adequate ventilation and combustion air.
- Location should be out of high traffic or windy or drafty areas.
- **DO NOT INSTALL WHERE CURTAINS, FURNITURE, CLOTHING OR OTHER FLAMMABLE OBJECTS ARE LESS THAN 42" FROM FRONT OF HEATER.**
- Never obstruct the front opening of the vent-free firebox or restrict the flow of combustion and ventilation air.
- Minimize modifications to existing construction. Refer to *Figure 3* below for location suggestions.
- Do not install in the vicinity where gasoline or other flammable liquids may be stored. The vent-free firebox must be kept clear and free from these combustible materials.



FP2440

Figure 3 - Location of Firebox

Ensure that minimum clearances shown in Figures 4 through 8 are maintained. Left and right clearances are determined when facing the front of the firebox.

Follow these instructions carefully to ensure safe installation. Failure to follow these requirements may create a fire hazard.

1. **Sidewall clearances:** The clearance from the inside of the appliance to any combustible wall should not be less than 9". *Figure 4*
2. **Ceiling clearance:** The ceiling must be at least 42" from the top of the firebox opening. *Figure 4*
3. **Back wall clearance:** The appliance may be placed against a combustible back wall.

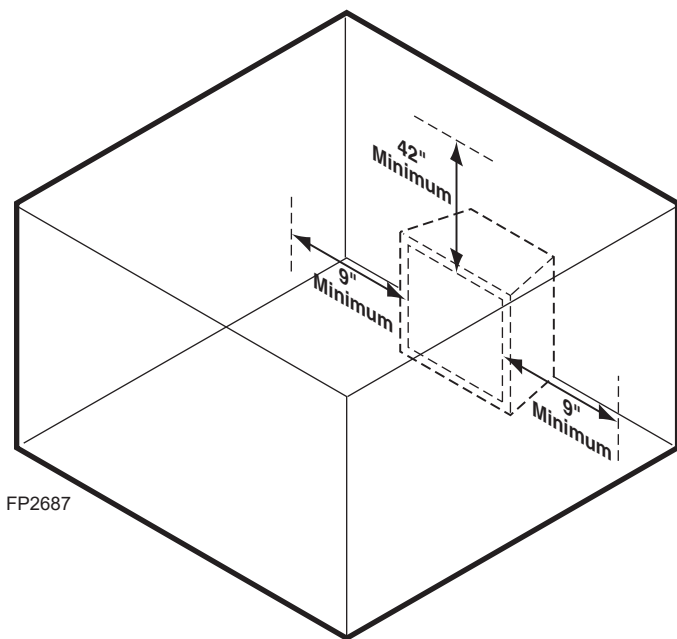


Figure 4 -
Clearance and Height Requirements

4. **Mantel clearances:** The canopy supplied with the unit must be installed. If a combustible mantel is installed, it must meet the clearance requirements as shown in *Figure 5*. However, if lower mantel height is desired, refer to Page 14, *Figure 6*.

NOTE: The Monessen Barrington Cabinet Mantel Model series BWC300, BWC400 and BWC500 are specially designed to comply with all mantel temperature requirements. Any custom-built mantel must comply with all clearance requirements shown in this instruction manual.

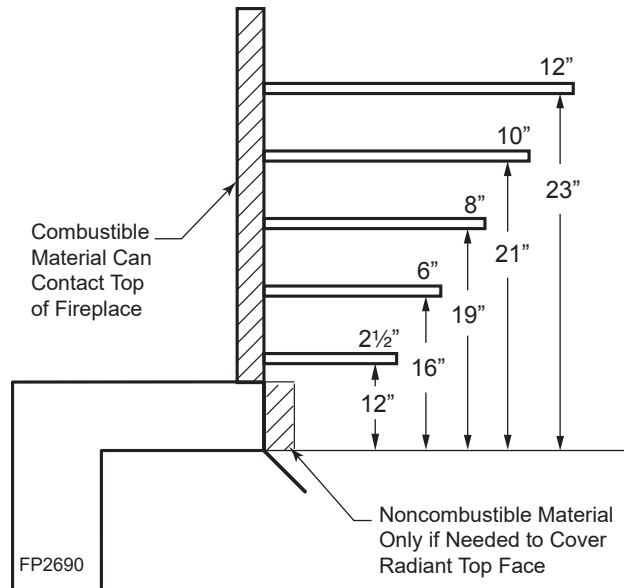


Figure 5 -
Mantel Clearances

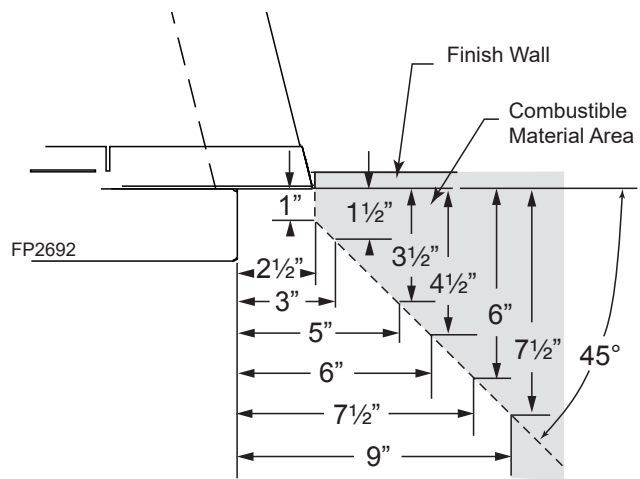


Figure 5a -
Mantel Leg Clearance

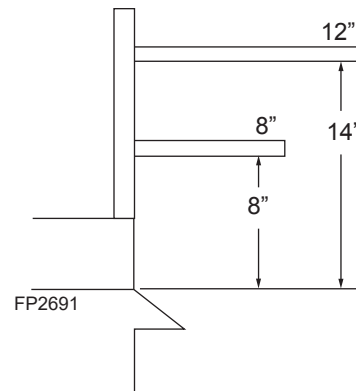
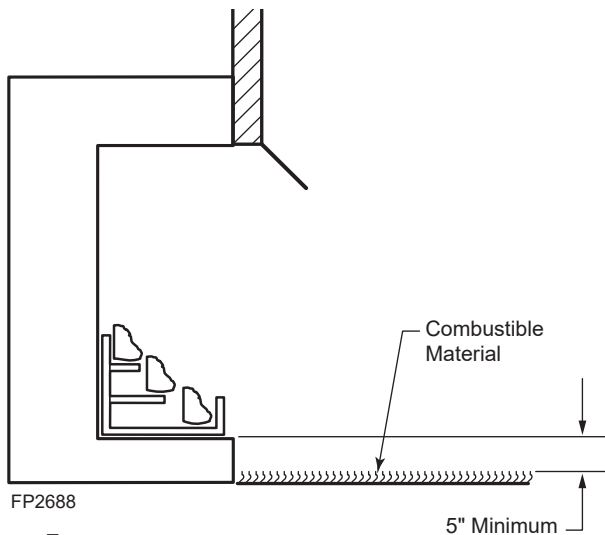


Figure 6 -
Mantel Heights for Wide Profile Canopy

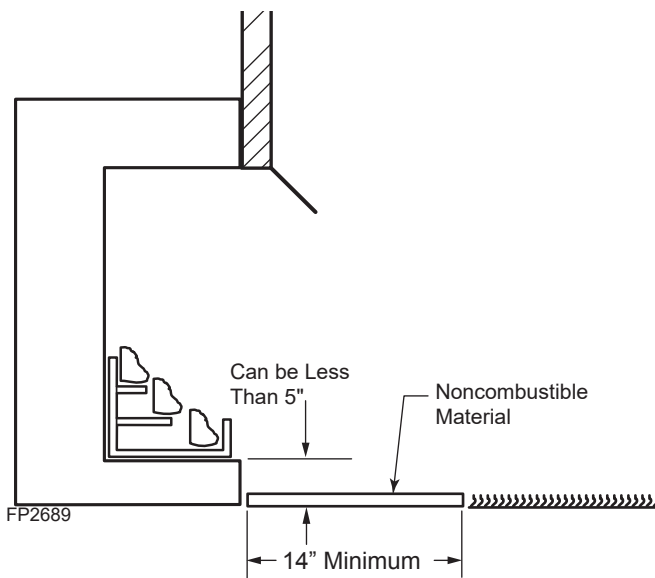
5. Floor clearance: This inner chamber firebox floor must be installed at least 5" above any combustible flooring material, such as carpeting or asphalt tile, which is closer than 14" to the base of the firebox. *Figure 7*

OR

The inner chamber firebox floor may be installed nearer to the floor if a minimum of 14" of noncombustible material such as slate or marble is installed between the base of the firebox and the combustible flooring. *Figure 8*



**Figure 7 -
Minimum Clearance Above
Combustible Flooring**



**Figure 8 -
Minimum Clearance above Combustible Flooring with
Noncombustible Material Installed at Base of Fireplace**

FIREBOX FRAMING

Firebox framing can be built before or after the appliance is set in place. Construct firebox framing following *Figure 1* for your specific installation requirements. See *Figure 1 on Page 6* for firebox dimensions. The framing headers may rest on the top of the firebox.

The firebox may be installed directly on a combustible floor or raised on a platform of an appropriate height. When the firebox is installed directly on carpeting, tile, or other combustible material, other than wood flooring, the firebox shall be installed on a metal or wood panel extending the full width and depth of the enclosure.

The classification "noncombustible material" includes, but is not limited to: stone, brick, and mortar. Noncombustibles are safe to overlay the black-painted metal face, including radiant plates, and do not pose a fire hazard. Any noncombustible finish material must not extend past or interfere with the fireplace opening.

The classification "combustible material" includes, but is not limited to: plywood, drywall, and particle board. Combustible materials may contact the sides, bottom, or back of the firebox. Do not overlay the black painted face with combustible materials.

⚠ WARNING!

Do not fill spaces around firebox with insulation or other materials. This could cause a fire.

⚠ WARNING!

The fireplace must be installed giving full consideration to the clearance and height requirements identified in this manual.

1. Bend out the nailing flanges located on each side of the firebox.
2. Slide the firebox into prepared framing or position firebox in its final position and frame later.
3. Level the firebox by checking the top edge of the firebox. Shim if necessary.
4. Anchor firebox to the side framing members using 8d nails or other suitable fasteners. *Figure 9.*
5. The canopy must be installed for safe operation of the heater.

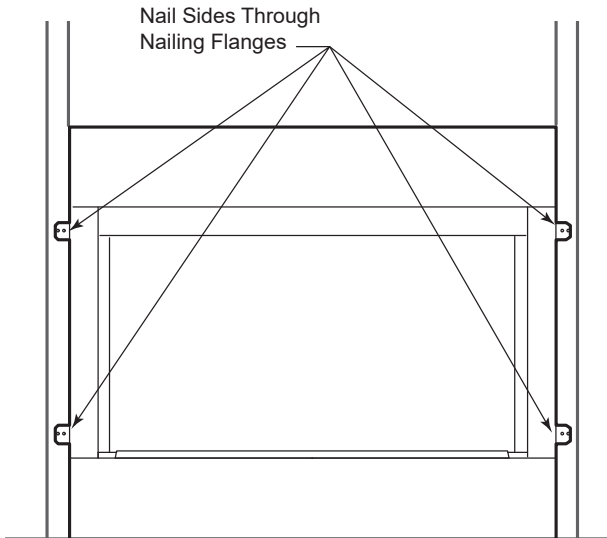


Figure 9 - Location of Nailing Flanges

When finishing a custom cabinet, mantel, or other built-in enclosure, the opening size to accommodate the firebox with trim installed is as follows:

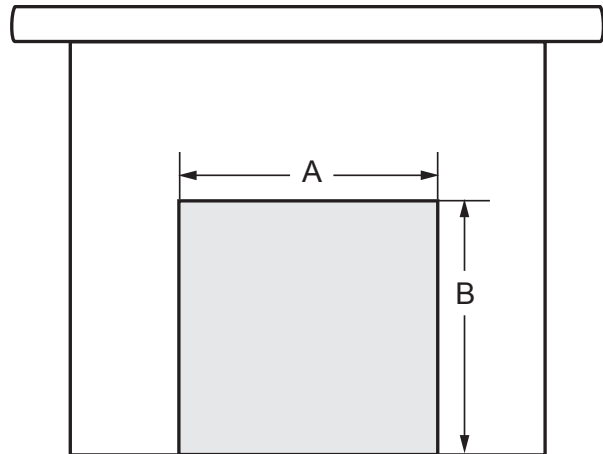


Figure 10 - Custom Cabinet

Ref.	GCUF32C w/Trim	GCUF36C w/Trim	GCUF42C w/Trim
A	37 ⁷ / ₈ "	41 ¹ / ₈ "	47 ⁷ / ₈ "
B	35 ⁷ / ₈ "	35 ⁷ / ₈ "	35 ⁷ / ₈ "

⚠ WARNING!

Close fireplace screen panel before operating a decorative type unvented room heater.

⚠ WARNING!

The firebox canopy must not be modified or replaced with a canopy that may be provided with the unvented decorative room heater.

INSTALLING CANOPY

A canopy is furnished with each firebox and **MUST** be installed for safe operation. *Figure 11*

1. Align the canopy with the holes in the top frame.
2. Secure the screws as shown.
3. Tighten side screws. Make sure the canopy is level and secure.

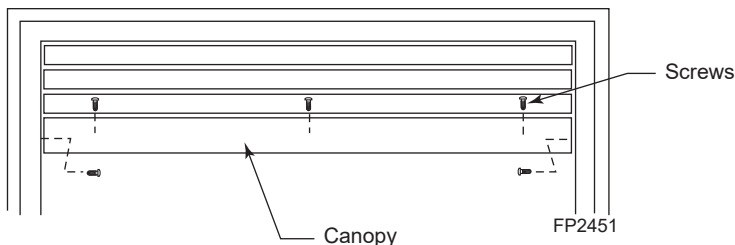


Figure 11 - Installing Canopy

⚠ WARNING!

Plumbing connections should only be performed by a qualified, licensed plumber. Main gas supply must be off when plumbing gas line to fireplace or performing service.

Consult all local codes. All gas piping must be installed to comply with local codes, or in the absence of local codes, with the latest edition of the National Fuel Gas Code ANSI Z223.1/NFPA54.

The 1/2" gas line may enter either from the left side or right side of the firebox. Gas access holes are provided on both sides of the firebox.

A listed manual shutoff valve must be installed upstream of the appliance. A union tee and plugged 1/8" NPT pressure tapping point should be installed upstream of the appliance.

IMPORTANT: Install main gas valve (equipment shutoff valve) in an accessible location. The main gas valve is for turning on or shutting off the gas to the fireplace.

A sediment trap may be upstream of the heater to prevent moisture and contaminants from passing through trap to the heater controls and burners. Failure to do so could prevent the heater from operating reliably. Consult applicable codes.

An external regulator must be used on all propane/L.P.G. heaters, in addition to the regulator fitted to the heater, to reduce the supply tank pressure to 13" w.c. (maximum). Any copper tubing used to supply propane / L.P.G. from the tank must be internally tinned.

NOTE: When connecting propane / L.P.G. vent-free room heaters, you must use pipe sealant resistant to propane / L.P.G.

IMPORTANT: Hold heater regulator with a wrench to prevent movement when connecting to inlet piping.

Check gas type: The gas supply must be the same as stated on the heater's rating plate. If the gas supply is different, DO NOT INSTALL THE HEATER. Contact your dealer for the correct model.

⚠ WARNING!

Connecting directly to an unregulated propane / L.P.G. tank can cause an explosion.

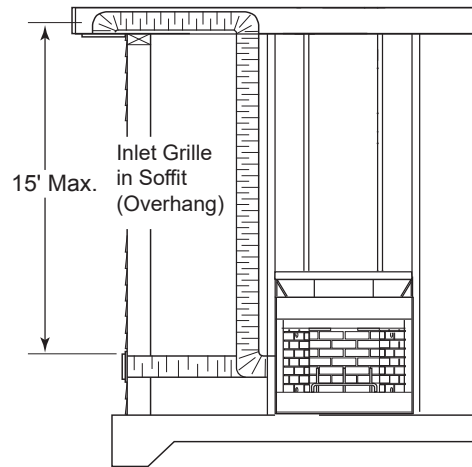
⚠ WARNING!

Do not connect directly to natural gas 1/2 PSI or 2 PSI systems. Always make sure natural gas pressure is regulated 10.5 w.c. (maximum before operating the unit).

After completing connection, test all gas joints from the gas meter to the gas heater regulator for leaks. Using soap and water solution or a gas sniffer. **DO NOT USE AN OPEN FLAME.**

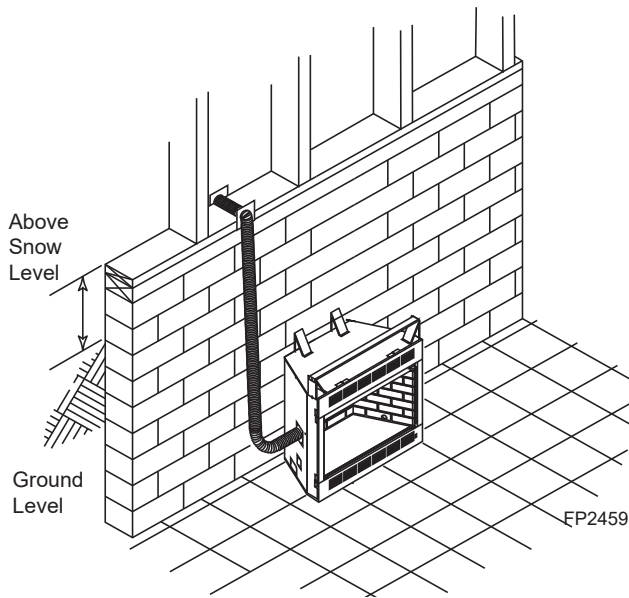
COMBUSTION AIR

1. Locate combustion air assembly at an exterior location which is not likely to be accidentally blocked in any manner. Locate assembly a min. of 12" above the snow line to prevent blockage by snow accumulation.
2. Never mount the combustion air inlet assembly in a garage or storage area where combustible fumes such as gasoline might be drawn into the fireplace.
3. Combustion air can be drawn from the crawl space under a house when an adequate supply of air is provided by open ventilation.
4. **CAUTION: Do not take combustion air from attic space or garage space.**
5. Locate air supply inlet at least 3' away from any appliance vent terminal.
6. Avoid extremely long runs and numerous turns in the duct leading from the fireplace to the combustion air assembly. These conditions increase the resistance to the free flow of air through the duct. Refer to Figures 12 through 15 for methods of installing the outside air for combustion assemblies.



FP2460

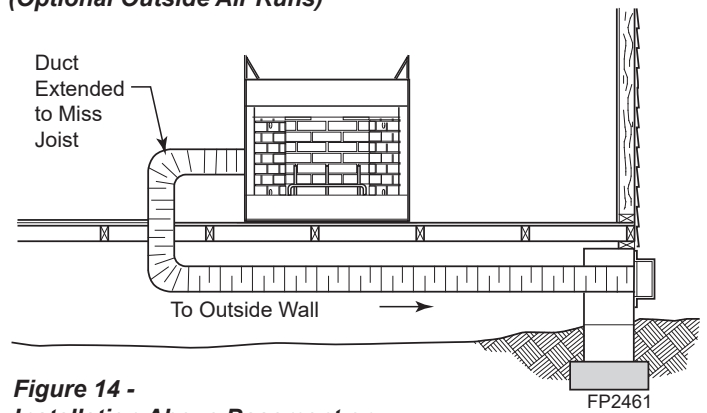
Figure 13 - Concrete Slab Installation (Optional Outside Air Runs)



FP2459

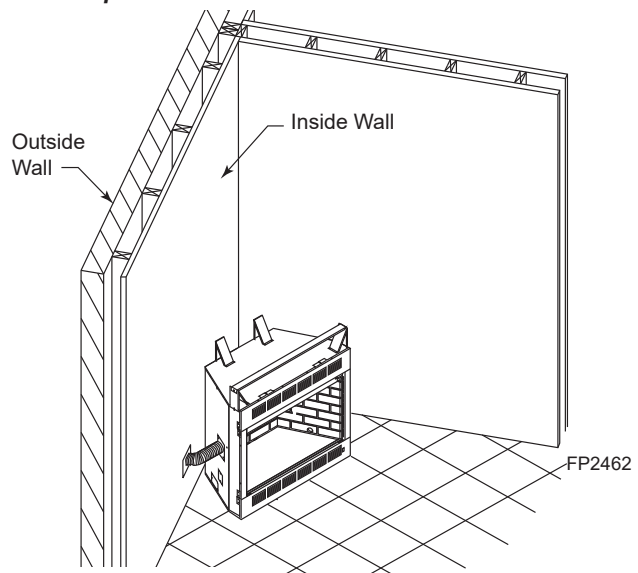
Figure 12 - Basement Installation

NOTE: Fireplace model in illustrations may not be representative of your appliance.



FP2461

Figure 14 - Installation Above Basement or Crawl Space



FP2462

Figure 15 - 45° Corner Installation on Slab Floor

⚠ WARNING!

DO NOT remove the cover if the outside air will not be connected.

The use of outside air for combustion is optional unless required by building codes. It is only necessary to supply outside combustion air to one side of the fireplace. Use the model AK4 combustion air kit.

MODEL AK4 COMBUSTION AIR ASSEMBLY

1. Remove the cover plate from the 4" outlet opening location on the left or right outside of the fireplace.
2. Place the insulation ring between the AK4 starting collar and fireplace wall.
3. Place the starting collar (4") into the hole on the side of fireplace. Fasten it in place with the four sheet metal screws provided. *Figures 16 and 17*

NOTE: The air starting collar extends through the fireplace outer wrap. When the air starting collar is securely attached, it will form a seal against the fireplace wall.

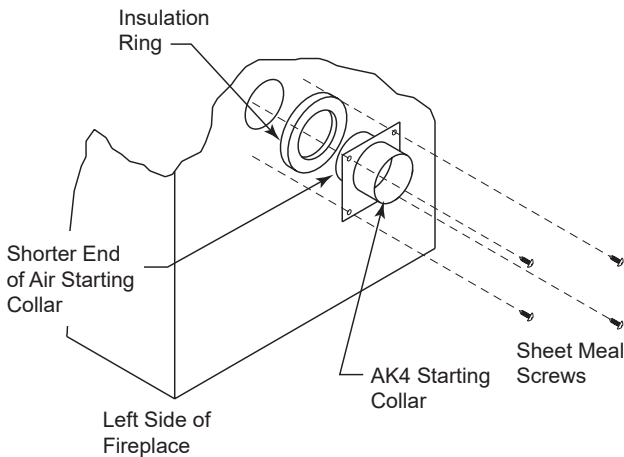


Figure 16 - Attach Outside Air Starting Collar and Insulation Ring to Left Side of Fireplace

⚠ WARNING!

Use FP-4 U duct for maximum efficiency and safety. Do not use a combustible duct. Always use UL Listed Class 0 or 1 duct material.

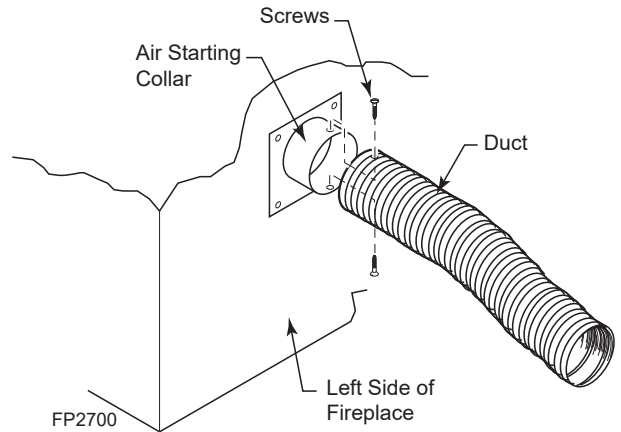


Figure 17 - Attach Outside Duct to Starting Collar

4. Attach outside duct to starting collar with duct clamp or screws. *Figure 17*
5. Cut a 6-inch diameter opening for model AK4 in the outside wall covering where the outside vent is to be located. *Figure 18*
6. Select and cut a piece of duct long enough to attach to the fireplace and stick out at least 3" beyond the face of the wall to which the AK4 inlet air vent will be attached. Cut duct with a standard pocket knife. *Figure 17*

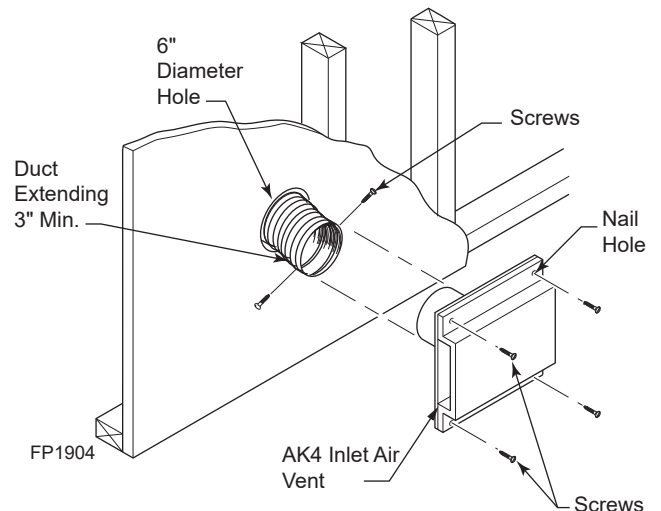


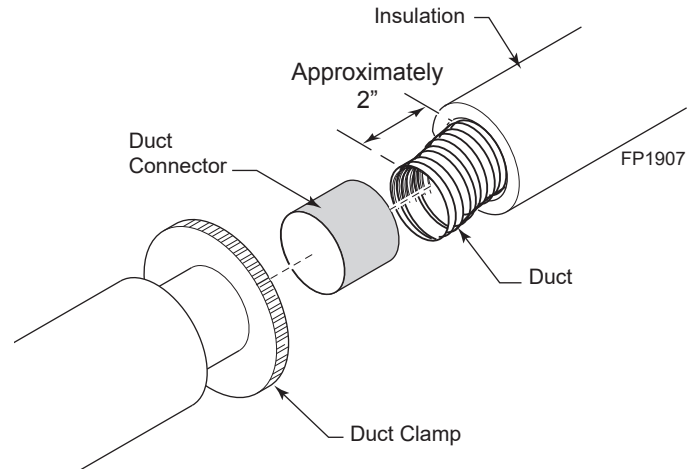
Figure 18 - Combustion Air Assembly for Model AK4

7. If the duct is the insulated type, push the insulation back from one end of the duct approximately 2". *Figure 19*
8. Slip the exposed end of the duct over the starting collar on the fireplace.
9. Using the sheet metal screws provided, secure the duct end to the collar attached to the fireplace.
10. Nail or screw the combustion air assembly to the surface of the wall.

NOTE: If the wall covering is brick or stone, use appropriate masonry fasteners. If necessary, splice the duct. Use a model 403-duct connector to splice duct sections.

INSTALL MODEL 403 DUCT CONNECTOR

1. Push insulation back approximately 2" from the end of each duct.
2. Slip each duct over duct connector until an equal length of connector extends into each duct.
3. Place duct clamp over the end of each duct. Tighten duct clamp down snugly.
4. Push insulation back into place and over duct clamp.



**Figure 19 -
Install Duct Connector 403**

FORCED AIR KIT (BLOTMC)

If you are installing the forced air kit on GCUF or GRUF models, see the installation instructions provided with the kit for electrical wiring requirements, or the blower installation section. The firebox must be connected to main power supply at time of firebox installation. The blower must be installed prior to the installation of the vent-free heater. The electrical connections must be made before the firebox is framed and enclosed in the finished walls.

BRASS OR PEWTER LOUVERS AND FILIGREE

Optional brass or pewter louver kits may be installed in place of the factory installed black louvers. Refer to installation instructions provided with the brass or pewter louvers.

OPTIONAL TRIM

Optional trim kits can be used with unit when installed as a free standing fireplace with wood surround.

FIREBRICK

Optional firebrick kits can be installed. See installation instructions provided with kit.

OPTIONAL WIDE CANOPY

The optional wide canopy can be installed. See installation instructions provided with kit.

⚠WARNING!

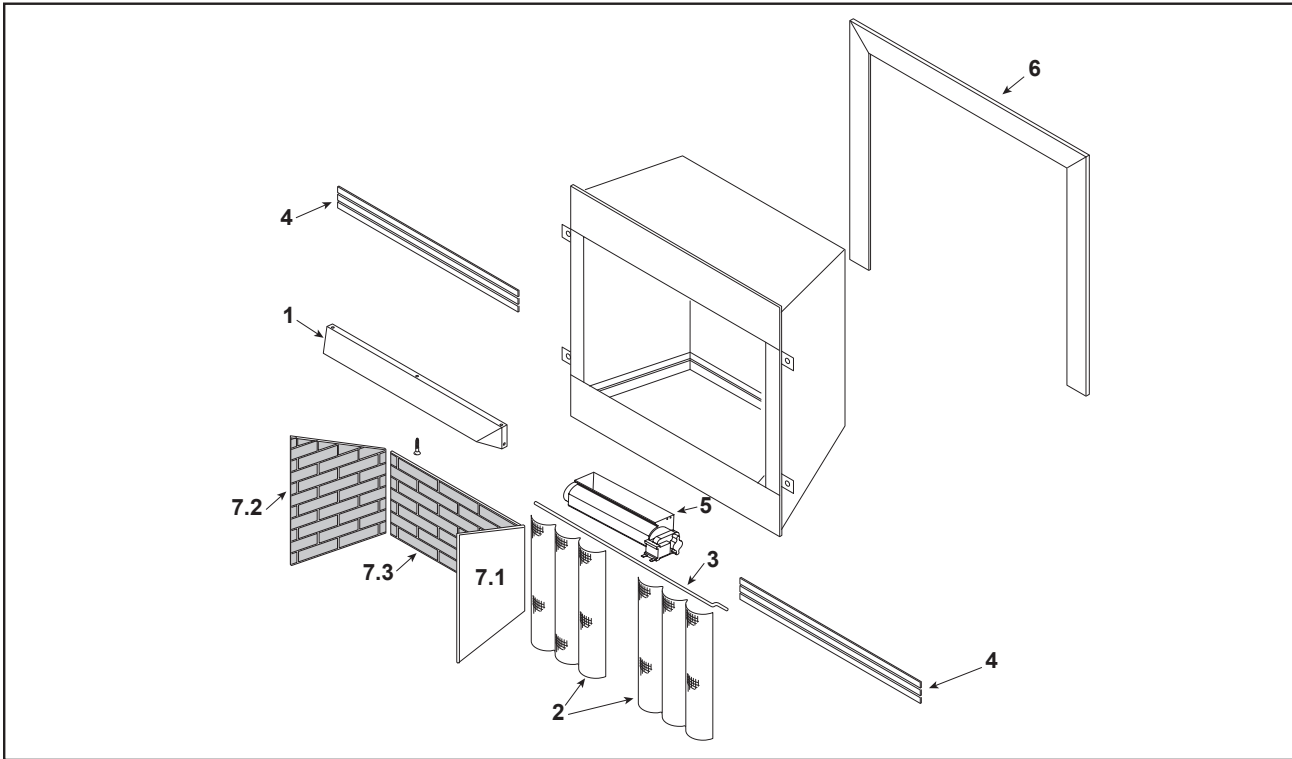
Electrical connections should only be performed by a qualified, licensed electrician, main power must be off when connecting to main electrical power supply or performing service.

The blower when installed, must be electrically grounded in accordance with local codes or in the absence of local codes, with the National Electrical Code ANSI/NFPA 70.



Service Parts **GCUF32C-F / -R, GRUF32C-F / -R**

Beginning Manufacturing Date: N/A
Ending Manufacturing Date: Active



IMPORTANT: THIS IS DATED INFORMATION. Parts must be ordered from a dealer or distributor. **Hearth and Home Technologies does not sell directly to consumers.** Provide model number and serial number when requesting service parts from your dealer or distributor.



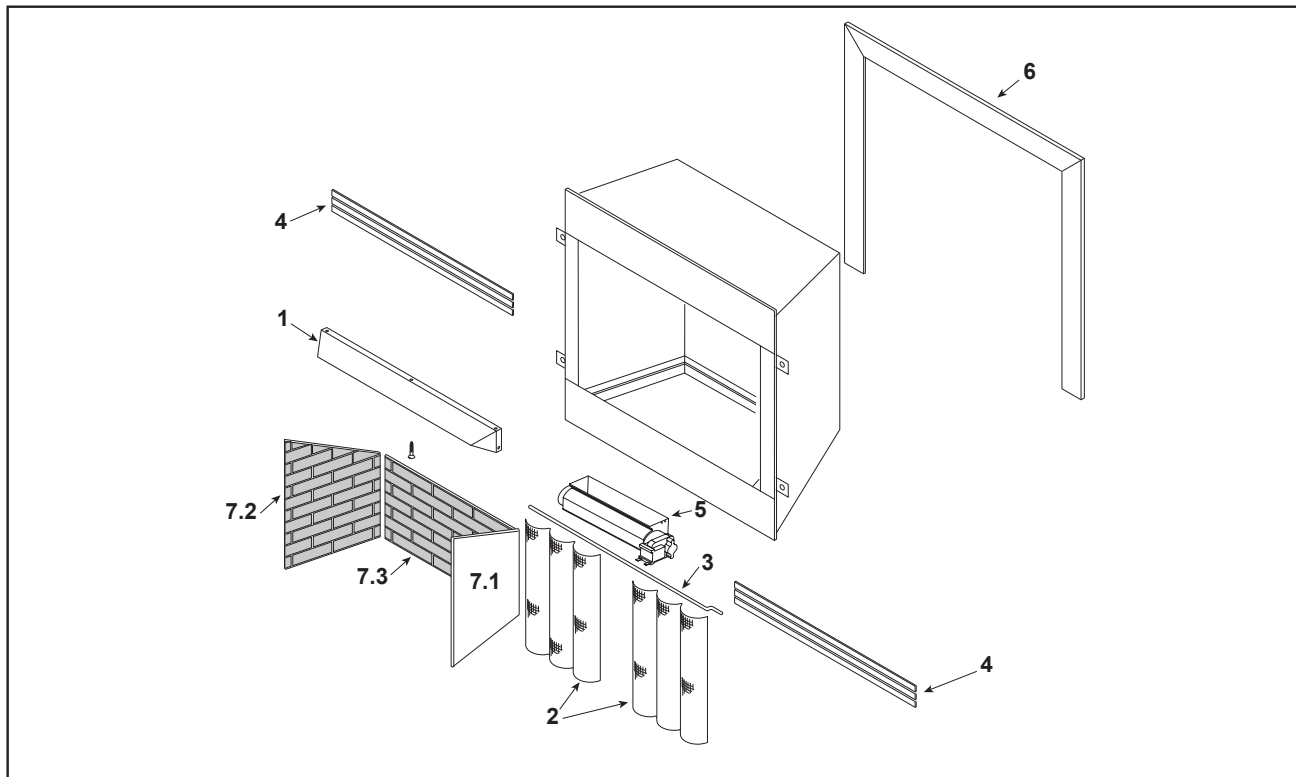
Stocked at Depot

ITEM	DESCRIPTION	COMMENTS	PART NUMBER	
1	Canopy	Black Paint	71D0023K	
		Texture Paint	71D0023TK	
2	Screen Panel	Qty 2 req	SRV61D0001	
3	Screen Rod	Qty 2 req	26D0138K	
4	Black Louver Assembly (GCUF Only)	Top	54D0900TK	
		Bottom	54D0901TK	
Accessories				
5	Blower w/Rheostat		BLOTMC	
6	Black Trim Curved Design		BLTK32C	
	Black Trim Kit		BLMTK32C	
7.1	Refractory, Right		71D0045K	Y
		Cottage Clay	71D0042K	
7.2	Refractory, Left		71D0044K	Y
		Cottage Clay	71D0041K	Y
7.3	Refractory, Back		71D0043K	
		Cottage Clay	71D0040K	Y
	Outside Air Kit		AK4	



Service Parts **GCUF36C-F / -R, GRUF36C-F / -R**

Beginning Manufacturing Date: N/A
Ending Manufacturing Date: Active



IMPORTANT: THIS IS DATED INFORMATION. Parts must be ordered from a dealer or distributor. **Hearth and Home Technologies does not sell directly to consumers.** Provide model number and serial number when requesting service parts from your dealer or distributor.



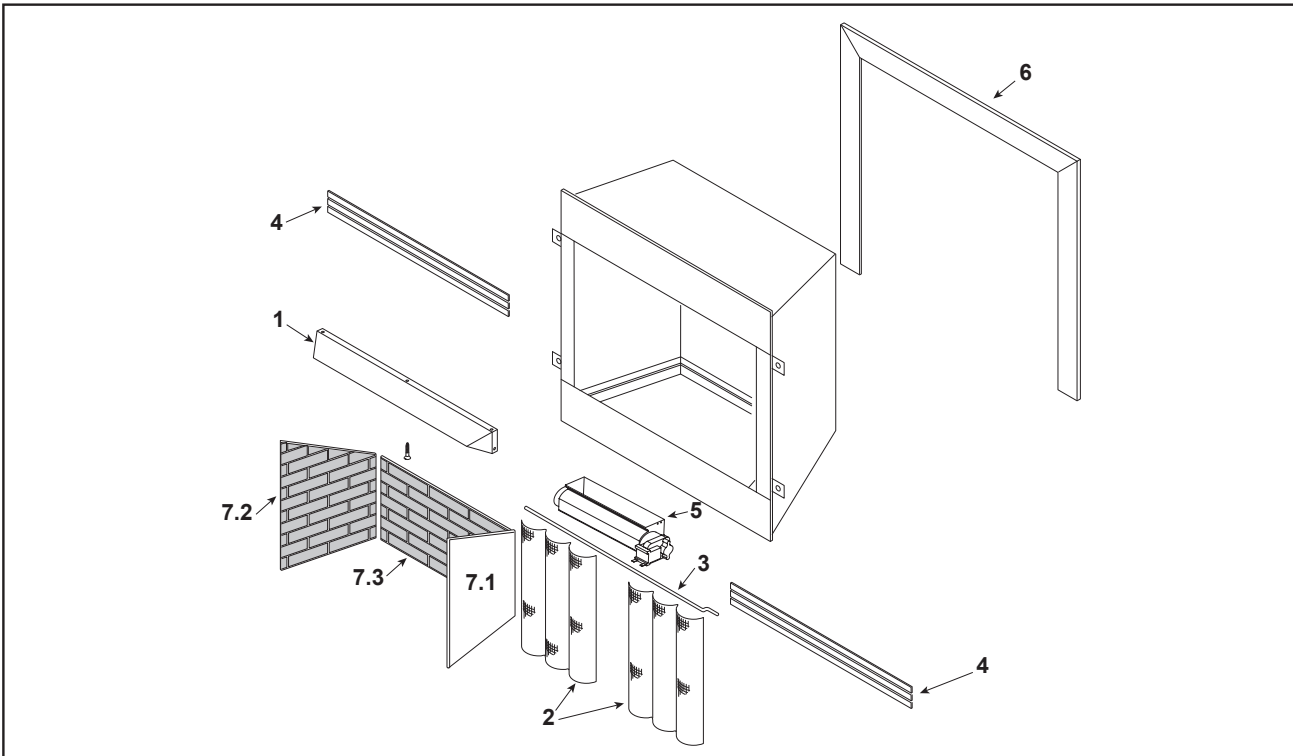
Stocked at Depot

ITEM	DESCRIPTION	COMMENTS	PART NUMBER	
1	Canopy	Black Paint	71D0011K	
		Texture Paint	71D0011TK	
2	Screen Panel	Qty 2 req	SRV61D0001	
3	Screen Rod	Qty 2 req	26D0132K	
4	Black Louver Assembly (GCUF Only)	Top	54D0902TK	
		Bottom	54D0903TK	
Accessories				
5	Blower w/Rheostat		BLOTMC	
6	Black Trim Curved Design		BLTK36C	
	Black Trim Kit		BLMTK36C	
7.1	Refractory, Right		71D0518K	Y
		Cottage Clay	71D0521K	Y
7.2	Refractory, Left		71D0517K	Y
		Cottage Clay	71D0520K	
7.3	Refractory, Back		71D0516K	Y
		Cottage Clay	71D0519K	
	Outside Air Kit		AK4	



Service Parts **GCUF42C-F / -R, GRUF42C-F / -R**

Beginning Manufacturing Date: N/A
Ending Manufacturing Date: Active



IMPORTANT: THIS IS DATED INFORMATION. Parts must be ordered from a dealer or distributor. **Hearth and Home Technologies does not sell directly to consumers.** Provide model number and serial number when requesting service parts from your dealer or distributor.



Stocked at Depot

ITEM	DESCRIPTION	COMMENTS	PART NUMBER	
1	Canopy	Black Paint	71D1000K	
		Texture Paint	71D1000TK	
2	Screen Panel	Qty 2 req	SRV61D0003	
3	Screen Rod	Qty 2 req	26D0133K	
4	Black Louver Assembly (GCUF Only)	Top	54D0904TK	
		Bottom	54D0905TK	
Accessories				
5	Blower w/Rheostat		BLOTMC	
6	Black Trim Curved Design	No longer available	BLTK42C	
	Black Trim Kit		BLMTK42C	
7.1	Refractory, Right		71D0518K	Y
		Cottage Clay	71D0521K	Y
7.2	Refractory, Left		71D0517K	Y
		Cottage Clay	71D0520K	
7.3	Refractory, Back		71D1016K	Y
		Cottage Clay	71D1017K	
	Outside Air Kit		AK4	

**Hearth & Home Technologies
LIMITED LIFETIME WARRANTY**

Hearth & Home Technologies, on behalf of its hearth brands (“HHT”), extends the following warranty for HHT gas, wood, pellet and electric hearth appliances that are purchased from an HHT authorized dealer.

WARRANTY COVERAGE:

HHT warrants to the original owner of the HHT appliance at the site of installation, and to any transferee taking ownership of the appliance at the site of installation within two years following the date of original purchase, that the HHT appliance will be free from defects in materials and workmanship at the time of manufacture. After installation, if covered components manufactured by HHT are found to be defective in materials or workmanship during the applicable warranty period, HHT will, at its option, repair or replace the covered components. HHT, at its own discretion, may fully discharge all of its obligations under such warranties by replacing the product itself or refunding the verified purchase price of the product itself. The maximum amount recoverable under this warranty is limited to the purchase price of the product. This warranty is subject to conditions, exclusions and limitations as described below.

WARRANTY PERIOD:

Warranty coverage for consumers begins at the date of installation. In the case of new home construction, warranty coverage begins on the date of first occupancy of the dwelling or six months after the sale of the product by an independent, authorized HHT dealer/distributor, whichever occurs earlier. However, the warranty shall commence no later than 24 months following the date of product shipment from HHT, regardless of the installation or occupancy date. The warranty period for parts and labor for covered components is produced in the following table.

The term “Limited Lifetime” in the table below is defined as: 20 years from the beginning date of warranty coverage for gas appliances, and 10 years from the beginning date of warranty coverage for wood and pellet appliances. These time periods reflect the minimum expected useful lives of the designated components under normal operating conditions.

Warranty Period		HHT Manufactured Appliances and Venting					
Parts	Labor	Gas	Pellet	Wood	Electric	Venting	Components Covered
1 Year		X	X	X	X	x	All parts including handles, external enameled components and other material except as covered by Conditions, Exclusions, and Limitations listed
2 years			X	X			Igniters, Auger Motors, Electronic Components, and Glass
		X					Electrical components limited to modules, remotes/wall switches, valves, pilots, blowers, junction boxes, wire harnesses, transformers and lights (excluding light bulbs)
		X		X			Molded Refractory Panels, Glass Liners
3 years			X				Firepots, burnpots, mechanical feeders/auger assemblies
5 years	1 year	X					Vent Free Burners, Vent Free Logs
			X	X			Castings, Medallions and Baffles
6 years	3 years			X			Catalyst - Limitations Listed
7 years	3 years		X	X			Manifold tubes, HHT Chimney and Terminations
10 years	1 year	X					Burners, logs and refractory
Limited Lifetime	3 years	X	X	X			Firebox and heat exchanger, FlexBurn® System (engine, inner cover, access cover and fireback)
1 Year	None	X	X	X	X	X	All replacement parts beyond warranty period

See conditions, exclusions and limitations on the next page

WARRANTY CONDITIONS:

- This warranty only covers HHT appliances that are purchased through an HHT authorized dealer or distributor. A list of HHT authorized dealers is available on the HHT branded websites.
- This warranty is only valid while the HHT appliance remains at the site of original installation.
- This warranty is only valid in the country in which the HHT authorized dealer or distributor that sold the appliance resides.
- Contact your installing dealer for warranty service. If the installing dealer or distributor is unable to provide necessary parts, contact the nearest HHT authorized dealer or supplier. Additional service fees may apply if you are seeking warranty service from a dealer other than the dealer from whom you originally purchased the product.
- Check with your dealer in advance for any costs to you when arranging a warranty call. Travel and shipping charges for parts are not covered by this warranty.
- Limited Catalyst Warranty
 - o For wood burning products containing a catalyst, the catalyst will be warranted for a six-year period to the original purchaser at the site of original installation. The purchaser must provide the name, address, and telephone number of the location where the product is installed, proof of original purchase date, date of failure, and any relevant information regarding the failure of the catalyst.

WARRANTY EXCLUSIONS:

This warranty does not cover the following:

- Changes in surface finishes as a result of normal use. As a heating appliance, some changes in color of interior and exterior surface finishes may occur. This is not a flaw and is not covered under warranty.
- Damage to printed, plated, or enameled surfaces caused by fingerprints, accidents, misuse, scratches, melted items, or other external sources and residues left on the plated surfaces from the use of abrasive cleaners or polishes.
- Repair or replacement of parts that are subject to normal wear and tear during the warranty period are not covered. These parts include: paint, wood and pellet gaskets, firebricks, grates, flame guides, batteries and the discoloration of glass.
- Expansion, contraction, or movement of certain parts causing noise. These conditions are normal and complaints related to this noise are not covered by this warranty.
- Damages resulting from: (1) failure to install, operate, or maintain the appliance in accordance with the installation instructions, operating instructions, and listing agent identification label furnished with the appliance; (2) failure to install the appliance in accordance with local building codes; (3) shipping or improper handling; (4) improper operation, abuse, misuse, continued operation with damaged, corroded or failed components, accident, or improperly/incorrectly performed repairs (5) environmental conditions, inadequate ventilation, negative pressure, or drafting caused by tightly sealed constructions, insufficient make-up air supply, or handling devices such as exhaust fans or forced air furnaces or other such causes; (6) use of fuels other than those specified in the operation instructions; (7) installation or use of components not supplied with the appliance or any other components not expressly authorized and approved by HHT; (8) modification of the appliance not expressly authorized and approved by HHT in writing; and/or (9) interruptions or fluctuations of electrical power supply to the appliance.
- Non-HHT venting components, hearth connections or other accessories used in conjunction with the appliance.
- Any part of a pre-existing fireplace system in which an insert or a decorative gas appliance is installed.
- HHT's obligation under this warranty does not extend to the appliance's capability to heat the desired space. Information is provided to assist the consumer and the dealer in selecting the proper appliance for the application. Consideration must be given to the appliance location and configuration, environmental conditions, insulation and air tightness of the structure.

This warranty is void if:

- The appliance has been over-fired, operated in atmospheres contaminated by chlorine, fluorine, or other damaging chemicals. Over-firing can be identified by, but not limited to, warped plates or tubes, deformation/warping of interior cast iron structure or components, rust colored cast iron, bubbling, cracking and discoloration of steel or enamel finishes.
- The appliance is subjected to prolonged periods of dampness or condensation.
- There is any damage to the appliance or other components due to water or weather damage which is the result of, but not limited to, improper chimney or venting installation.

LIMITATIONS OF LIABILITY

- The owner's exclusive remedy and HHT's sole obligation under this warranty, under any other warranty, express or implied, or in contract, tort or otherwise, shall be limited to replacement, repair, or refund, as specified above. In no event will HHT be liable for any incidental or consequential damages caused by defects in the appliance. Some states do not allow exclusions or limitation of incidental or consequential damages, so these limitations may not apply to you. This warranty gives you specific rights; you may also have other rights, which vary from state to state. EXCEPT TO THE EXTENT PROVIDED BY LAW, HHT MAKES NO EXPRESS WARRANTIES OTHER THAN THE WARRANTY SPECIFIED HEREIN. THE DURATION OF ANY IMPLIED WARRANTY IS LIMITED TO DURATION OF THE EXPRESSED WARRANTY SPECIFIED ABOVE.

This page intentionally left blank.



LOVE AT FIRST LIGHT

Monessen, a brand of Hearth & Home Technologies
7571 215th Street West, Lakeville, MN 50044
www.monessenhearth.com