

This Owner's Manual is provided and hosted by [Appliance Factory Parts](#).



APRILAIRE APR300 Owner's Manual

[Shop genuine replacement parts for APRILAIRE
APR300](#)



[Find Your APRILAIRE Humidifier Parts - Select From 52 Models](#)

----- Manual continues below -----



Models 300, 400, 400M, 500, 500M,
600, 600M, 700 & 700M

Includes Safety & Operating Instructions
and Warranty Information

READ AND SAVE THESE INSTRUCTIONS

TABLE OF CONTENTS

INTRODUCTION	3
PRINCIPLE OF OPERATION	4
OPERATING INSTRUCTIONS – MODELS 400, 500, 600 & 700	6
Digital Humidifier Control Indicator Lights	6
Blower Activation	6
Automatic Mode	7
Manual Mode	8
OPERATING INSTRUCTIONS – MODELS 400M, 500M, 600M & 700M	11
CHECK THE HUMIDIFIER OPERATION	11
ADDITIONAL INFORMATION FOR ALL MODELS	13
EFFECT OF WATER CHARACTERISTICS	13
ANNUAL MAINTENANCE	14
ANNUAL SUMMER SHUTDOWN	14
PERIODIC PREVENTATIVE MAINTENANCE	15
MAINTENANCE INSTRUCTIONS	
Model 300	16
Models 400 & 400M	17
Models 500, 500M, 600 & 600M	18
Models 700 & 700M	19
LIMITED WARRANTY	20

⚠ WARNING

120 volts may cause injury from electrical shock. Disconnect power and shut off water supply before servicing.

⚠ CAUTION

Sudden operation may cause personal injury or property damage. Turn the Aprilaire® Humidifier Control to **OFF** or lowest setting before servicing.

INTRODUCTION

Thank you for your recent Aprilaire® humidifier business and are pleased to add your name to the list of satisfied customers. You have invested in the highest quality whole-house indoor air quality leader in the heating and air conditioning industry. Your humidifier will require periodic maintenance for peak performance. See page 14 to obtain service for your Aprilaire® evaporators.

Please take a few minutes and read this introduction to understand the benefits you will receive from the equipment and the routine maintenance you understand the routine maintenance.

Be sure to register your humidifier at www.aprilaire.com.

Genuine Aprilaire® Replacement Water Panels® are available from your installing contractor or from most other heating and air conditioning contractors in your area. Use the dealer locator in our web site www.aprilaire.com or call 800-334-6011. Purchase only genuine Aprilaire Water Panels to maintain peak performance.



PRINCIPLE OF OPERATION

With your purchase of this humidification system, you have invested in a humidifier that operates on the evaporative principle – nature's own way of adding moisture – providing optimum relative humidity (RH) throughout the heating season. It is very possible that you have questions concerning your new humidifier – questions on what it can do for you, and what you should do to receive maximum benefits from it. This booklet is intended to answer these questions.

Nature, in producing an invigorating comfortable April day, combines just the right temperature and the right amount of moisture. Aprilaire humidifiers employ the same principle, with refinements, to give you the optimum RH for maximum allowable comfort all winter long.

The important considerations in the evaluation of a humidifier are precise control, sufficient capacity, trouble-free performance and minimum maintenance. The operating principle of your Aprilaire humidifier provides all of these advantages. Here, briefly, is the method:

Except for Model 300, the Aprilaire humidifier is installed to operate in conjunction with the heating, ventilating, air conditioning equipment (HVAC) blower. When the Aprilaire Humidifier Control calls for humidity and the blower motor is operating, water flows to the distribution tray located at the top of the humidifier. The water is uniformly distributed across the width of the tray and through a scientifically designed system of outlets. It flows by gravity over the Water Panel® evaporator, the heart of the humidifier. Dry, hot air is moved through the moisture-laden Water Panel® evaporator where natural evaporation takes place. The now-humidified air carrying moisture in vapor form (nature's own way) is circulated throughout the home.

With bypass Models 400, 500 and 600 Series, HVAC system airflow is drawn through the humidifier from the supply duct to the return duct. 700 Series models, and Model 300 have a built-in fan which draws air through the Water Panel.

Model 300 must use service hot water (140°F maximum) for a heat source, as heat is needed for evaporation. The other models can work with cold or hot water, but hot water provides maximum output and is recommended if the humidifier is to be run in fan-only mode. While the water going to the humidifier is hot, the flushing water to the drain will be cold. The heat is extracted during the evaporation process.

The correct water flow is determined by an orifice provided with each drain type humidifier. When the humidifier is operating, there will be a small, steady stream of water to drain, which flushes away most of the trouble-causing minerals.

Do not use the saddle valve to regulate the water flow. It is designed to be completely open or closed.

The minerals and solid residue not trapped by the evaporator are flushed down the drain in Models 600M, 700 and 700M. This is the most effective way to dispose of trouble-causing minerals. Trouble-free performance is not caused by stagnant water.

Trouble-free performance and minimum maintenance are features of the Aprilaire humidifier. All humidifier parts in contact with water are non-metal and water quality will not affect them under normal conditions.

The Water Panel® evaporator, designed to prevent mineral deposits, and the scale control insert (which encourages mineral deposits which are often trapped in ordinary humidifiers. **The Water of the humidifier and must be in good trouble-free performance. It should be exception of Models 400 and 400M will per heating season.**

The distribution tray incorporates a synthetic material to deliver water uniformly over the entire surface of the evaporator, provided the humidifier is maintained. Mineral deposits to form in the distribution tray during humidification cycles. These deposits can block the openings, they **PERIODIC PREVENTATIVE MAINTENANCE**

Your Digital Humidifier Control works in conjunction with the humidifier to control the operation of the humidifier based on outdoor temperature and automatically provides the optimum humidity.

The Automatic Control can be set to turn on the humidifier when required. Plumbing the humidifier to the drain is required.

The digital readout on the control displays the relative humidity (RH) of the air. RH is a measure of the amount of moisture that the air can hold. Warm air can hold more moisture than cold air.

The control has lights which indicate when the Water Panel needs to be replaced and when service is required. See the **INSTRUCTIONS** for more information.

There are many humidifiers on the market with varying degrees of efficiency. None, however, is as efficient as the performance incorporated into your new Aprilaire humidifier.

The Digital Humidifier Control offers two modes of operation, Automatic or Manual. An explanation of both modes follows. (See **FIGURE A** on page 7 for Automatic mode. See **FIGURE B** on page 8 for Manual mode.)

When in the Automatic mode, this system offers the following benefits:

- **You will always receive the optimum amount of humidity so that your home and its furnishings are always protected from the damaging effects of excess condensation or low humidity during the heating season.**
The control automatically adjusts your home's RH based on the outdoor temperature, increasing the time maximum comfort is maintained.
- **Simple operation with few adjustments.** The control eliminates the need to manually adjust the control when outdoor temperature changes. It also eliminates the need to turn the dial setting to **OFF** during the summer season.

DIGITAL HUMIDIFIER CONTROL INDICATOR LIGHTS

Call Dealer for Service: The red light indicates that the humidifier is not operating normally and that service is required.

Change Water Panel: The yellow light indicates that it is time to change the Water Panel in the humidifier.

Humidifier On: The green light indicates that the humidifier is operating normally.

BLOWER ACTIVATION

The BLOWER ACTIVATION switch is set to the **ON** position to allow the humidifier control to activate the HVAC fan for maximum humidification. For this setting the Models 500, 600 and 700 must be connected to hot water.

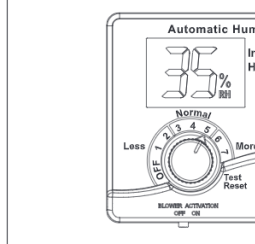
If the HVAC system has been idle for one hour, the humidifier control will activate the HVAC system fan to sample the air for 3 minutes. If the RH is lower than the set point, the humidifier control will activate the humidifier and keep the fan running. The humidifier will continue to operate for 2 hours or until the humidification set point is reached.

If the RH set point has not been reached by the end of a call for heat, the control will continue to operate the humidifier and the HVAC fan until the humidification set point is reached or 2 hours have elapsed.

When the BLOWER ACTIVATION switch is in the **OFF** position, the humidifier control will only operate the humidifier if humidity is required and the HVAC system fan is operating or the HVAC system is producing heat.

AUTOMATIC MODE

FIGURE A – AUTOMATIC MODE

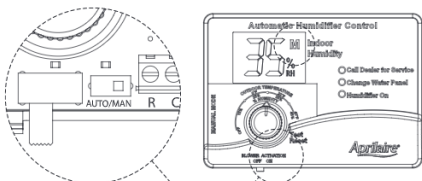


Your Aprilaire Humidifier Control is installed **the first heating season**, your humidifier settings should match your home's condition. Please follow the instructions in the manual (refer to **FIGURE A**).

1. Turn the dial setting knob to **5**, which is the factory setting. During the next 24-48 hours it may be necessary to adjust the humidity, depending on your personal preference. Refer to **TABLE 3 – Operation Guide**.
2. During the coldest portion of the first heating season, a humidity adjustment may be necessary. This is dependent on your climate. Refer to **TABLE 3 – Operation Guide**.

The RH in your home will now be accurate. The RH should not need further adjustment during the heating season. In the event you are performing annual maintenance of your

FIGURE B – MANUAL MODE



When installed in the Manual mode (see **FIGURE B** – internal switch in **MAN** position and **M** in the display), it is important to anticipate a drop in outdoor temperature and reduce the setting accordingly to avoid excessive condensation. For example, with an outdoor temperature of 20°F the correct setting will be 35% RH. If the temperature is expected to fall to 0°F, then merely reduce the setting to 25% several hours prior to the temperature change.

See **TABLE 1** for the recommended settings. These settings, which are based on years of research, represent a compromise between RH levels that would be most desirable for comfort and humidity levels that are suitable for protection of your home and to avoid condensation on your windows. For example, a wintertime indoor RH of 50% may be considered ideal for comfort, but unfortunately, it probably would result in condensation, which can cause damage to your home. Observing the recommended RH levels on your humidifier control is an important safeguard. Condensation of water on the inside surface of windows in the form of fogging or frost is usually an indication of too much humidity. This same condensation can occur in other areas in your home, possibly resulting in damage.

TABLE 1 – OUTDOOR TEMPERATURE/INDOOR RELATIVE HUMIDITY

Outside Temperature	Recommended RH
+40°F	45%
+30°F	40%
+20°F	35%
+10°F	30%
0°F	25%
-10°F	20%
-20°F	15%

CHANGE WATER PANEL INDICATOR

The control keeps track of humidifier operation time. The yellow **Change Water Panel** light flashes after a preset amount of running time has elapsed. This running time is preset by the installer based on the humidifier model and water hardness.

Refer to the **ANNUAL MAINTENANCE** section of the **Water Panel** or call your heating and air conditioning contractor. If the **Water Panel** is replaced, turn the control to the **Manual Mode**. The green **Humidifier On** light flashes, to

TEST/RESET

The **Test/Reset** feature allows the humidifier to operate when there is no call for humidity.

Set the knob to **Test/Reset**, make sure there is electricity to the humidifier. The humidifier will operate. Note: Turning the **Water Panel** timer. The humidifier will operate. (Model 400 and 400M: Floats must be checked for water flow.) Reduce the Humidifier Control RH, depending on the outside temperature. **HUMIDIFIER WILL NOT OPERATE.**

ADDITIONAL INFORMATION

Your humidifier is a precision system that will automatically adjust the indoor humidity in your home. For every 2°F change in outdoor temperature, the Digital Humidifier Control will automatically adjust the indoor humidity.

The Digital Humidifier Control will automatically adjust the indoor humidity to a maximum of 45% RH.

The RH Values in **TABLE 2** are targets based on the Digital Humidifier Control setting. The actual indoor humidity in the home (cooking, showering, etc.).

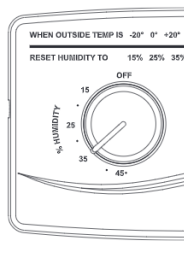
TABLE 2 – % RELATIVE HUMIDITY GUIDE

Dial Setting	Outdoor Temperature		
	-10°F	0°F	10°F
1	10%	10%	10%
2	10%	10%	15%
3	10%	15%	20%
4	15%	20%	25%
5	20%	25%	30%
6	25%	30%	35%
7	30%	35%	40%

TABLE 3 – OPERATION GUIDE	
Condition	Solution
Condensation on windows.	Reduce the setting on the control dial by 1 increment.
Lack of humidity.	Increase the setting on the control dial by 1 increment. If the humidifier control is already at the maximum setting of 7, set the BLOWER ACTIVATION switch to ON . The humidifier should be plumbed to hot water when using the Blower Activation feature.
Humidifier does not operate. (Solenoid does not “click” when control is moved to Test/Reset position.)	Turn dial to Test/Reset . Make certain HVAC blower is operating. If unit still does not operate, consult a heating contractor.
Humidifier won't shut off.	Turn dial to OFF . If unit continues to operate, consult a heating contractor.
Test mode.	System operation is checked by setting the knob to Test/Reset . Make certain HVAC blower is operating. Humidifier will operate for one minute. If the control knob is left in the Test/Reset position, after 1 minute the display will flash the software revision level e.g. r1. Note: Placing the knob in Test/Reset resets the Water Panel change timer.
Red Call Dealer for Service light flashes (FIGURE A).	Note the error code on the display (E1, E2, E3 or E4) and call your heating and air conditioning dealer.
Yellow Change Water Panel light flashes (FIGURE A).	Refer to ANNUAL MAINTENANCE on page 14 for instructions on changing the Water Panel, or call your heating and air conditioning dealer for service. After the Water Panel is replaced, turn the control knob to the Test/Reset position until the green Humidifier On light flashes, to reset the Water Panel change timer.

OPERATING INSTRUCTIONS – MODELS 400M, 500M, 600M &

FIGURE C – MANUAL HUMIDIFIER CON



Your Aprilaire humidifier is controlled by **FIGURE C**. The Manual Humidifier Control is installed in Manual mode (see p. 14). It is important to anticipate a drop in outdoor humidity accordingly to avoid excessive condensation.

To determine the indoor RH, slowly turn the knob and listen for 2 clicks. The indoor RH is w

CHECK THE HUMIDIFIER OPER

MANUAL HUMIDIFIER CONTROL

Set the knob to the highest setting, make sure the humidifier is open and that there is electricity to the unit. Turn the knob to the desired setting for the humidifier to function. The humidifier is energized and water is flowing into the duct when the desired setting is reached.

DIGITAL HUMIDIFIER CONTROL (INCLUDED WITH MODEL 300)

To test the function of the humidifier and the control:

Begin by pressing the ON button. **ON** will appear on the display. This means the control is on, but it does not necessarily mean the humidifier is running. In order for the control to turn on your humidifier, several conditions must be met:

1. The control and humidifier must be powered.
2. The RH level in the conditioned space must be below the set point.

Once functionality is established, set the control to the desired humidity.

FIGURE D – DIGITAL HUMIDIFIER CONTROL



ADDITIONAL INFORMATION FOR

Be sure to keep fireplace dampers closed to provide an excellent escape route for heat, as well as fresh air. On occasion, indoor moisture producing activities such as cooking, showers, etc., may raise the RH level. Although the Aprilaire humidifier is not operating, condensation or frost on cold surfaces such as windows. If such condensation persists for several hours, it may dissipate the potentially damaging excess heat.

EFFECT OF WATER CHARACTERISTICS

Your humidifier is designed to operate on soft water. Softened water is required for maximum performance. Hard water contains varying amounts of mineral solids. Hard water evaporation is primarily calcium and magnesium, which are usually quite hard, scaly, and dense.

Residue from softened water tends to be less than hard water deposits. In either case, the evaporator will be the same. The water should be changed at least once a year with the exception of hot water, which is changed at least twice a heating season. Hot supply water, 140°F maximum, is required for increasing capacity and is required for



RISK OF SCALDING. Water temperature can rise and scald instantly. Shut off the hot water supply into any hot water supply line.

ANNUAL MAINTENANCE

For best performance, we recommend that you replace the Water Panel evaporator in your Aprilaire humidifier at least annually with the exception of Models 400 and 400M which should be changed at least twice per heating season.

The **Change Water Panel** indicator light (Digital Control only) will blink when it is time to change your Water Panel. See individual model instructions for additional maintenance.

To purchase a new Water Panel:

- Call the installer of your Aprilaire humidifier. This information is often found on your equipment.
- Call your heating and air conditioning dealer.
- Use our dealer locator at www.aprilaire.com
- Look in the Yellow Pages under *Humidifying Apparatus* or *Heating & Air Conditioning Contractors*.
- If none of the above is successful and you still need information, please feel free to write us.
- Purchase only Genuine Aprilaire Water Panels to maintain performance.

Unit	Water Panel Part Number
300	35
400	45
500	10
600	35
700	35

If your humidifier is equipped with a Digital Humidifier Control with **Change Water Panel** indicator, after replacing the Water Panel, turn the control knob to the **Test/Reset** position until the **Humidifier On** light blinks to reset its timer. (Blower must be operating and HVAC calling for heat.) Be sure to turn the control knob back to its original setting. If the **Humidifier On** light continues to blink, your humidifier is in Test mode. **DO NOT LEAVE THE CONTROL IN TEST MODE OR HUMIDIFIER WILL NOT OPERATE.**

ANNUAL SUMMER SHUTDOWN

For Models 400, 400M, 500, 500M, 600 and 600M close the bypass damper, which is a part of the humidifier, with the small damper handle.

Humidifier Control:

- Digital Humidifier Control in Automatic mode (see **FIGURE A**): No adjustment is necessary.
- Digital Humidifier Control in Manual mode (see **FIGURE B**): Set the knob to the **OFF** position.
- Manual Humidifier Control (see **FIGURE C**): Set the knob to the **OFF** position.

PERIODIC PREVENTATIVE MAINTENANCE

Note: Periodic inspection and preventative system is important for efficient and safe service your humidifier when he service:

All models have a distribution tray above inspected annually and cleaned of excess

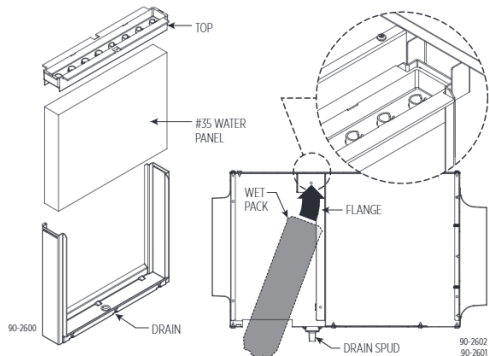
WATER LINE INSPECTION AND SERVICE

1. Disconnect electrical power to the H and shut off water supply.
2. Disconnect the water line at the inlet compression nut.
3. Remove the in-line strainer from inside the inlet side of the valve by using a nail or wire.
4. Flush the in-line strainer clean or replace with a new strainer, Part No. 4004.
5. Reconnect the inlet water line. **Double wrench to prevent leaking.**
6. Disconnect the water feed tube at the outlet compression nut.
7. Inspect the water feed tube by gently flexing it and looking for cracks or signs of wear. Replace tube if it is cracked, broken or has been damaged.
8. Inspect the orifice in the water feed tube and make sure the small opening is clear.
9. Reconnect the water feed tube. **Double wrench to prevent leaking.**
10. Remove the drain line from the bottom of the unit to loosen any mineral deposits or to flush water under pressure to clear it of air fitting. If drain line does not flow properly, make sure it has a constant downward slope.
11. Turn on water supply and reconnect.

REQUIRED MAINTENANCE INSTRUCTIONS APRILAIRE HUMIDIFIER MODEL 300

⚠ WARNING

120 volts may cause serious injury from electrical shock. Disconnect power and shut off water supply before servicing.



1. Turn Manual Digital Humidifier Control off.
2. Disconnect electrical power and turn off water supply.
3. Unscrew knobs to Wet Pack assembly access panel.
4. Lift the Wet Pack assembly then swing out and slide forward out of the humidifier housing.
5. To remove the distribution tray from Water Panel, push down on tray and pull out scale control insert. To clean the "V" openings of the tray, gently pry the distribution tray cover from the tray. Lightly scrape out or brush off any mineral deposits, being careful not to stretch or loosen the synthetic fabric liner. Soaking the tray in vinegar or a lime-removing agent is helpful when trying to remove stubborn mineral deposits.
6. Slide the Water Panel out from the scale control insert and dispose of the Water Panel. Clean the scale control insert of mineral deposits. Replace the Water Panel evaporator (Stock No. 35) with a Genuine Aprilaire Water Panel. Slide the Water Panel back into the scale control insert and snap the distribution tray cover into the distribution tray. Then snap the distribution tray back into the scale control insert.
7. Inspect the plastic feed tube by gently flexing it and looking for cracks or signs of wear. Replace tube if it is cracked, brittle or has been damaged.
8. Remove the drain line from the bottom of the humidifier and flex it to loosen any mineral deposits or blockage. Then flush it with water under pressure. If it does not properly clear, replace it. Slip the drain line back onto the drain fitting. Make sure the drain line has a constant downward slope and is not flattened or blocked.
9. Reinstall Wet Pack assembly as shown in Figure. Insert into the humidifier housing to align with guiding flanges and ensure fit with drain spud.
10. Reconnect electrical power and turn on water supply.
11. Turn on Manual Digital Humidifier Control and check system operation.
12. Set Manual Digital Humidifier Control to its original setting.

REQUIRED MAINTENANCE INSTRUCTIONS APRILAIRE HUMIDIFIER

⚠ CAUTION

Sudden operation may cause personal injury or **OFF** or lowest setting before servicing.

1. Front Cover
2. Feed Tube
3. Integral Bypass Damper
4. Water Panel Evaporative Assembly
5. Distribution Tray
6. "V" Notches
7. Water Panel Evaporator
8. Scale Control Insert/Float Chamber
9. Overflow Drain Line
10. Float Cover
11. Float
12. Water Level Sensor Assembly



1. Note humidifier control setting and turn dial to the OFF position.
2. Turn off water supply. Turn the integral bypass damper to the OFF position.
3. Press the tabs in the latches on the top and bottom of the distribution tray.
4. Carefully pull the plastic feed tube (2) out of the distribution tray. Tip the Water Panel evaporative assembly (4) out of the humidifier. **Do not** tip the Water Panel evaporative assembly. Avoid over-bending the water level sensor assembly.
5. Unsnap the distribution tray (5) from the scale control insert. Clean the scale control insert of mineral deposits, being careful not to stretch or loosen the synthetic fabric liner. Soaking the tray in vinegar or a lime-removing agent is helpful when trying to remove stubborn mineral deposits.
6. Slide the used Water Panel evaporator (7) out of the Water Panel.
7. Remove the float cover (10) and inspect the floats (11) for mineral deposits as needed from floats, float chamber and float cover. Reassemble the floats and float cover. Make sure the float cover and that floats move freely up and down.
8. Inspect the plastic feed tube (2) by gently flexing it to see if it is cracked, brittle, or has been damaged.
9. Slide a new Aprilaire No. 45 Water Panel (paper evap) (8) into the scale control insert. Snap the distribution tray (5) back on the scale control insert.
10. Reinstall the Water Panel evaporative assembly (4) into the humidifier. Push the top of the Water Panel evaporative assembly into the humidifier housing. The top of the Water Panel evaporative assembly should snap into place.
11. Push the end of the feed tube back firmly into the distribution tray.
12. Under normal operation the overflow drain line (9) should not be blocked. If necessary, make sure the overflow drain line is not flattened or blocked.
13. Turn on the water supply. Return integral bypass damper to the ON position.
14. Check system operation:
Manual Humidifier Control (Model 400M): With the humidifier control set to the desired setting, check system operation.
Automatic Digital Humidifier Control (Model 400): Set the humidifier control to the desired setting and reset Change Water Panel indicator by setting the humidifier control to the lowest setting. If the humidifier will operate for heat, humidifier will operate for heat. If the humidifier will operate for cooling, humidifier will operate for cooling. If the humidifier will not operate, humidifier will not operate.
Humidifier Control (Model 400): Set the humidifier control to the desired setting and check system operation.
15. Set humidifier control to its original position.

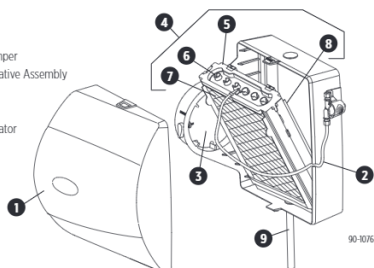
REQUIRED MAINTENANCE INSTRUCTIONS

APRILAIRE HUMIDIFIER MODELS 500, 500M, 600 & 600M

⚠ CAUTION

Sudden operation may cause personal injury or property damage. Turn humidifier control to **OFF** or lowest setting before servicing.

1. Front Cover
2. Feed Tube
3. Integral Bypass Damper
4. Water Panel Evaporative Assembly
5. Distribution Tray
6. "V" Notches
7. Water Panel Evaporator
8. Scale Control Insert
9. Drain Line



1. Note humidifier control setting and turn dial to the **OFF** position.
2. Turn off water supply. Turn the integral bypass damper (3) to the **SUMMER** position.
3. Press the tabs in the latches on the top and bottom of front cover (1) and pull cover off base with both hands. Set aside.
4. Carefully pull the plastic feed tube (2) out of the distribution tray (5) at the top of the Water Panel evaporative assembly (4). Pull this assembly out by grasping at top and tipping out.
5. Unsnap the distribution tray (5) from the scale control insert (8). Lightly scrape out or brush off any mineral deposits, being careful not to stretch or loosen the synthetic fabric liner. Soaking the tray in vinegar or a lime-removing agent is helpful when trying to remove stubborn mineral deposits.
6. Slide the Water Panel evaporator (7) out from the scale control insert (8) and dispose of the Water Panel. Clean the scale control insert of mineral deposits. Replace the Water Panel evaporator (Stock No. 35 for Models 600 & 600M and Stock No. 10 for Models 500 & 500M) with a new Genuine Aprilaire Water Panel. Slide the Water Panel evaporator back into the scale control insert with the colored spot up and snap the distribution tray (5) back into place.
7. Inspect the plastic feed tube (2) by gently flexing it and looking for cracks or signs of wear. Replace tube if it is cracked, brittle, or has been damaged.
8. Reinstall the Water Panel evaporative assembly (4) into the humidifier by fitting its drain into the round receptacle at the base of the humidifier. Push the assembly in at the top until it snaps into place. Push the end of the feed tube back firmly into the distribution tray and replace the front cover.
9. Remove the drain line (9) from the bottom of the humidifier. If applicable, flex it to loosen any mineral deposits or blockage. Then flush it with water under pressure. If it does not properly clear, replace it. Slip drain line back onto the drain fitting. Make sure the drain line has a constant downward slope and is not flattened or blocked.
10. Turn on the water supply. Return integral bypass damper to appropriate position.
11. Check system operation:
 - Manual Humidifier Control (Models 500M & 600M):** With the HVAC blower operating, turn up humidifier control and check system operation.
 - Digital Humidifier Control (Models 500 & 600):** (Automatic or Manual mode) Check system operation and reset **Change Water Panel** indicator by setting the knob to **Test/Reset**. With HVAC blower operating and HVAC calling for heat, humidifier will operate for one minute. **DO NOT LEAVE IN TEST MODE AS HUMIDIFIER WILL NOT OPERATE.**
12. Set humidifier control to its original position.

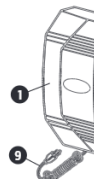
REQUIRED MAINTENANCE INSTRUCTIONS

APRILAIRE HUMIDIFIER

⚠ WARNING

ELECTRICAL SHOCK HAZARD. Can cause injury or property damage. Turn off power to humidifier supplies before servicing. Turn humidifier control to **OFF** or lowest setting before servicing.

1. Humidifier Cover Assembly
2. Base Assembly
3. Water Panel Evaporative Assembly
4. Distribution Tray
5. "V" Notches
6. Water Panel Evaporator
7. Scale Control Insert
8. Drain Line
9. Power Cord



1. Note humidifier control setting and turn dial to the **OFF** position.
 2. Disconnect electrical power and turn off water supply.
 3. Unlatch humidifier front cover assembly (1) from base with both hands. Set aside.
 4. Pull out the Water Panel evaporative assembly (3) from the base of the humidifier.
 5. Unsnap the distribution tray (4) from the scale control insert (7). Lightly scrape out or brush off any mineral deposits, being careful not to stretch or loosen the synthetic fabric liner. Soaking the tray in vinegar or a lime-removing agent is helpful when trying to remove stubborn mineral deposits.
 6. Slide the Water Panel evaporator (6) out from the scale control insert (7) and dispose of the Water Panel. Clean the scale control insert of mineral deposits. Replace the Water Panel evaporator (Stock No. 35 for Models 600 & 600M and Stock No. 10 for Models 500 & 500M) with a new Genuine Aprilaire Water Panel. Slide the Water Panel evaporator back into the scale control insert with the colored spot up and snap the distribution tray (4) back into place.
 7. Inspect the plastic feed tube (2) by gently flexing it and looking for cracks or signs of wear. Replace tube if it is cracked, brittle, or has been damaged.
 8. Reinstall the Water Panel evaporative assembly (3) into the humidifier by fitting its drain into the round receptacle at the base of the humidifier. Push the assembly in at the top until it snaps into place. Push the end of the feed tube back firmly into the distribution tray and replace the front cover.
 9. Remove the drain line (8) from the bottom of the humidifier. If applicable, flex it to loosen any mineral deposits or blockage. Then flush it with water under pressure. If it does not properly clear, replace it. Slip drain line back onto the drain fitting. Make sure the drain line has a constant downward slope and is not flattened or blocked.
 10. Reinstall front cover assembly (1) by hooking at the bottom.
 11. Reconnect electrical power (9) and turn on the water supply.
 12. Check system operation:
 - Manual Humidifier Control (Model 700M):** With the HVAC blower operating, turn up humidifier control and check system operation.
 - Digital Humidifier Control (Model 700):** (Automatic or Manual mode) Check system operation and reset **Change Water Panel** indicator by setting the knob to **Test/Reset**. With HVAC blower operating and HVAC calling for heat, humidifier will operate for one minute. **DO NOT LEAVE IN TEST MODE AS HUMIDIFIER WILL NOT OPERATE.**
 13. Set humidifier control to its original position.
- NOTE: The motor is permanently lubricated and does not require oil.**

LIMITED WARRANTY

Your Research Products Corporation Aprilaire® humidifier unit is expressly warranted for five (5) years from date of installation to be free from defects in materials or workmanship except, however, for the disposable Water Panel which will have to be replaced from time to time depending upon the amount of use.

Research Products Corporation's exclusive obligation under this warranty shall be to supply, without charge, a replacement for any part of the humidifier which is found to be defective within such five (5) year period and which is returned not later than thirty (30) days after said five (5) year period by you to either your original supplier or to Research Products Corporation, Madison, Wisconsin 53701, together with the model number and installation date of the humidifier.

THIS WARRANTY SHALL NOT OBLIGATE RESEARCH PRODUCTS CORPORATION FOR ANY LABOR COSTS AND SHALL NOT APPLY TO DEFECTS IN WORKMANSHIP OR MATERIALS FURNISHED BY YOUR INSTALLER AS CONTRASTED TO DEFECTS IN THE HUMIDIFIER ITSELF.

IMPLIED WARRANTIES OF MERCHANTABILITY OR FITNESS FOR A PARTICULAR PURPOSE SHALL BE LIMITED IN DURATION TO THE AFORESAID FIVE YEAR PERIOD. RESEARCH PRODUCTS CORPORATION'S LIABILITY FOR INCIDENTAL OR CONSEQUENTIAL DAMAGES, OTHER THAN DAMAGES FOR PERSONAL INJURIES, RESULTING FROM ANY BREACH OF THE AFORESAID IMPLIED WARRANTIES OR THE ABOVE LIMITED WARRANTY IS EXPRESSLY EXCLUDED. THIS LIMITED WARRANTY IS VOID IF DEFECT(S) RESULT FROM FAILURE TO HAVE THIS UNIT INSTALLED BY A QUALIFIED HEATING AND AIR CONDITIONING CONTRACTOR. IF THE LIMITED WARRANTY IS VOID DUE TO FAILURE TO USE A QUALIFIED CONTRACTOR, ALL DISCLAIMERS OF IMPLIED WARRANTIES SHALL BE EFFECTIVE UPON INSTALLATION.

Some states do not allow limitations on how long an implied warranty lasts or the exclusion or limitation of incidental or consequential damages so the above exclusion or limitations may not apply to you.

This warranty gives you specific legal rights and you may also have other rights which vary from state to state.

WARRANTY REGISTRATION

Visit us online at www.aprilaire.com to register your Aprilaire product. If you do not have online access, please mail a postcard with your name, address, phone number, email address, product purchased, model number, date of purchase, and dealer name and address to: Research Products Corporation, P.O. Box 1467, Madison, WI 53701.

Your warranty registration information will not be sold or shared outside of this company.

Aprilaire.com
P.O. Box 1467
Madison, WI 53701-1467
800.334.6011 F: 608.257.4357
Printed in USA
©2021 Aprilaire - Division of
Research Products Corporation
10015434 B2209190B 3.21

The Aprilaire logo features the brand name in a stylized, italicized serif font. The letter 'i' in 'Aprilaire' has a distinctive dot that curves into a horizontal line, resembling a wave or a stylized 'e'. The logo is positioned to the right of the contact information.