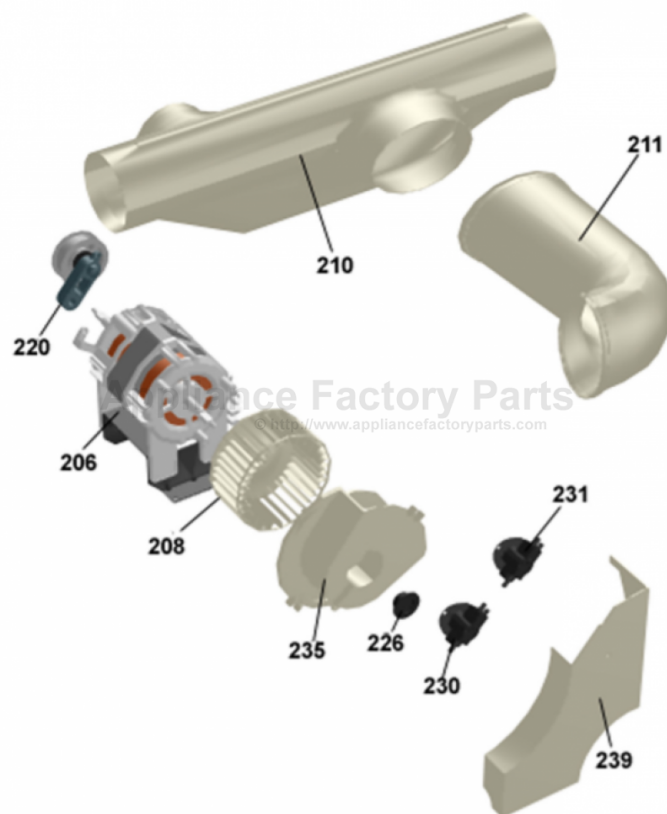


This Owner's Manual is provided and hosted by Appliance Factory Parts.



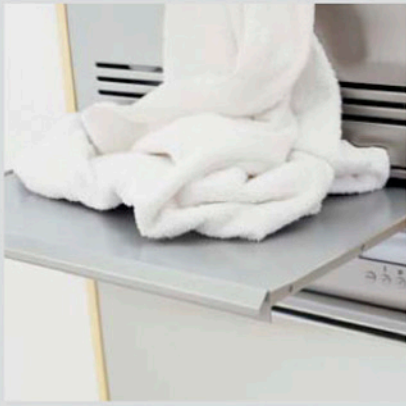
ASKO T701US Owner's Manual

[Shop genuine replacement parts for ASKO T701US](#)



[Find Your ASKO Dryer Parts - Select From 73 Models](#)

----- Manual continues below -----



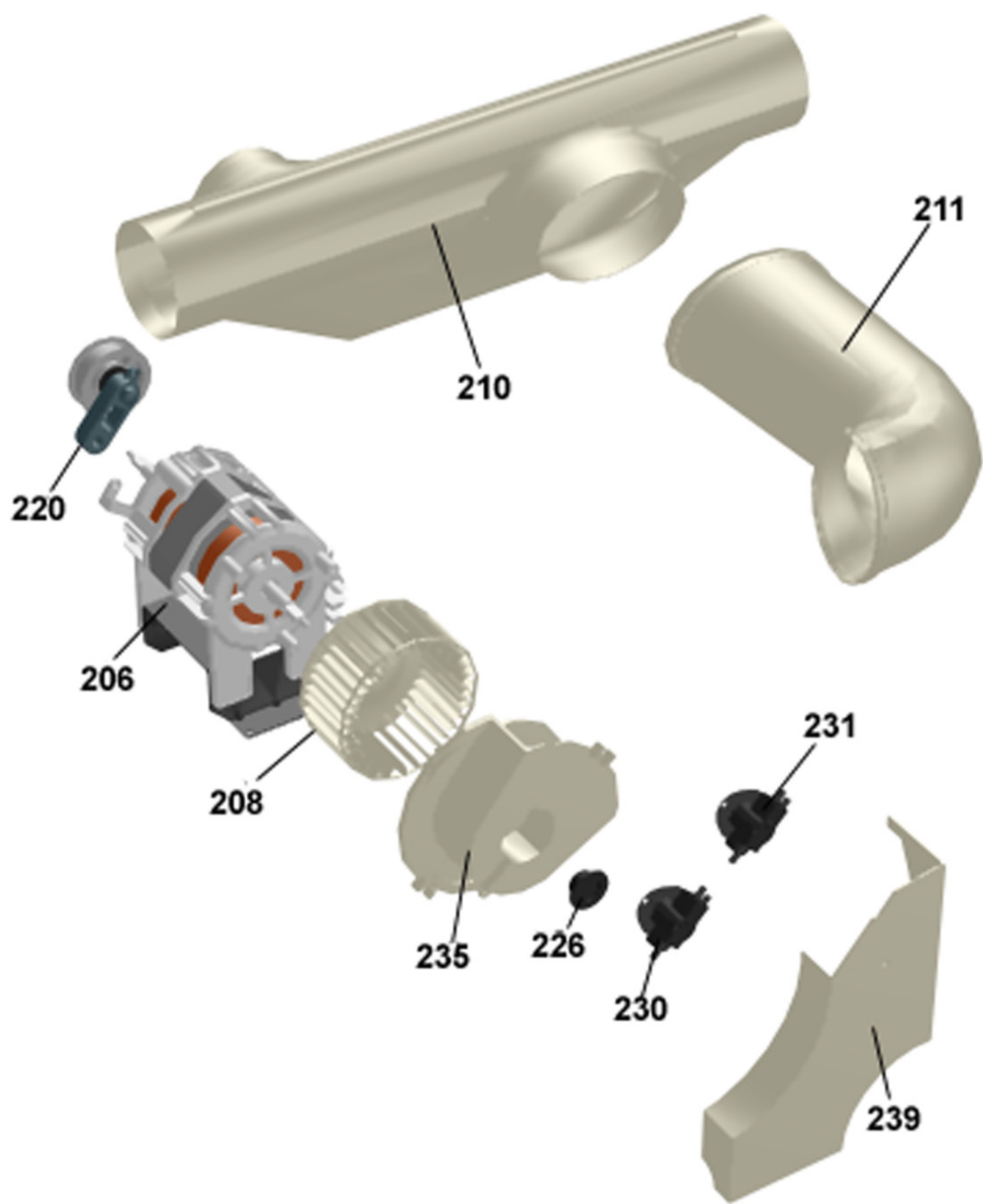
Spare Parts Catalogue

Dryers \ 700 Series
Type: TD11US
Model: T701 US Bisque

Prod. No: 10770115
December 22nd 2004

AM Appliances Group

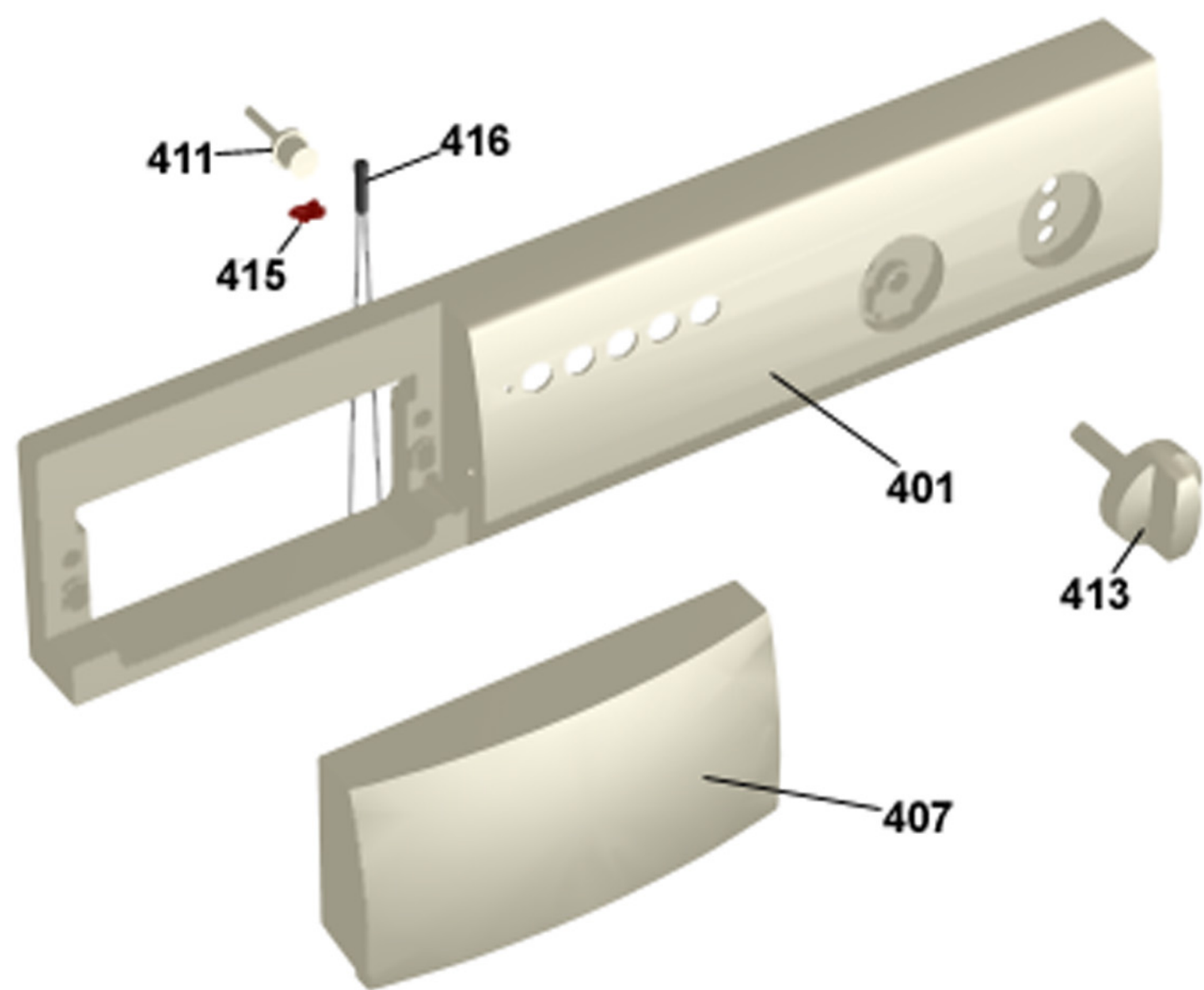
P.O. Box 851805 • Richardson • TX 75085-1805
789 N. Grove Road • Suite 103 • Richardson • TX 75081



Lower session

ASKO, T701 US - Bisque (TD11US)

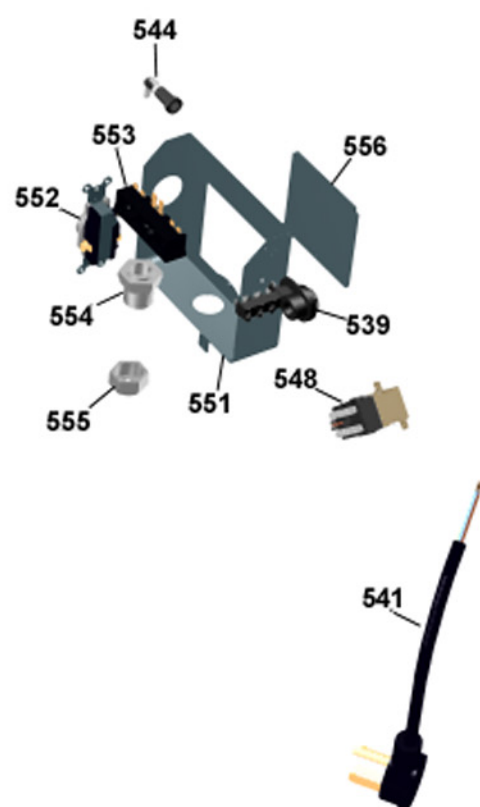
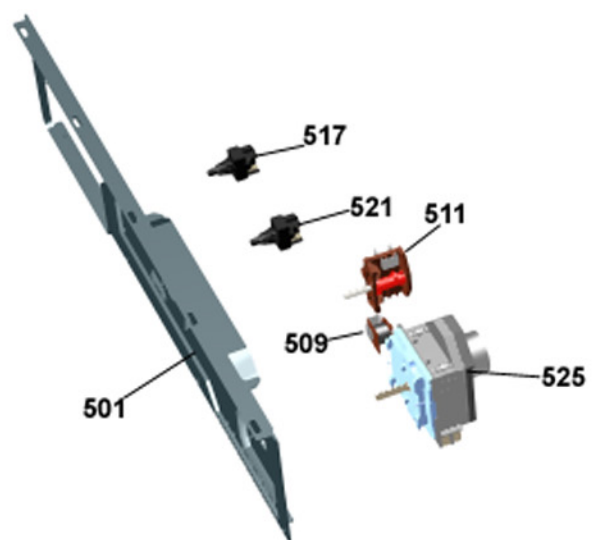
Pos	Spare part No.	Description	Qty	Comment
206	8061895	MOTOR COMPL 60HZ TD20	1 Pcs	
206-a	8901969	SCREW MRT-TT 5x12 FZB T20	4 Pcs	
208	8055200	FAN IMPELLER INT	1 Pcs	
208-a	8901192	NUT LOCKING 6 BH8 GALV	1 Pcs	
210	8052638	EXHAUSTCANAL T-TUBE UL4	1 Pcs	
211	8052639	EXHAUSTCANAL BEND UL4	1 Pcs	
220	8801058	TENSION ARM Replby 8801214	1 Pcs	
226	8061949	PLUG FAN HOUSE TD20	1 Pcs	
228	33700183	TERMINAL ESPA	1 Pcs	
228-a	8901097	SCREW MRT-TT 4X12 FZB T20	1 Pcs	
228-b	8901413	LOCK WASHER AZ 43 GALV	1 Pcs	
230	8001444	THERMOSTAT 263 223 47/35C	1 Pcs	
230-a	8902042	SCREW PTK 35X10 WN1452 FZB T10	1 Pcs	
231	8001543	THERMOSTAT 263175 51 60/49 C	1 Pcs	
231-a	8902042	SCREW PTK 35X10 WN1452 FZB T10	1 Pcs	
235	8061899	FAN CASING LID TD20 UL4	1 Pcs	
235-a	8902042	SCREW PTK 35X10 WN1452 FZB T10	2 Pcs	
239	8061942	GUARD FAN CASING TD20	1 Pcs	
239-a	8902042	SCREW PTK 35X10 WN1452 FZB T10	1 Pcs	
242	8064184	SEALING COVER FAN HOUSE	1 Pcs	



Control panel

ASKO, T701 US - Bisque (TD11US)

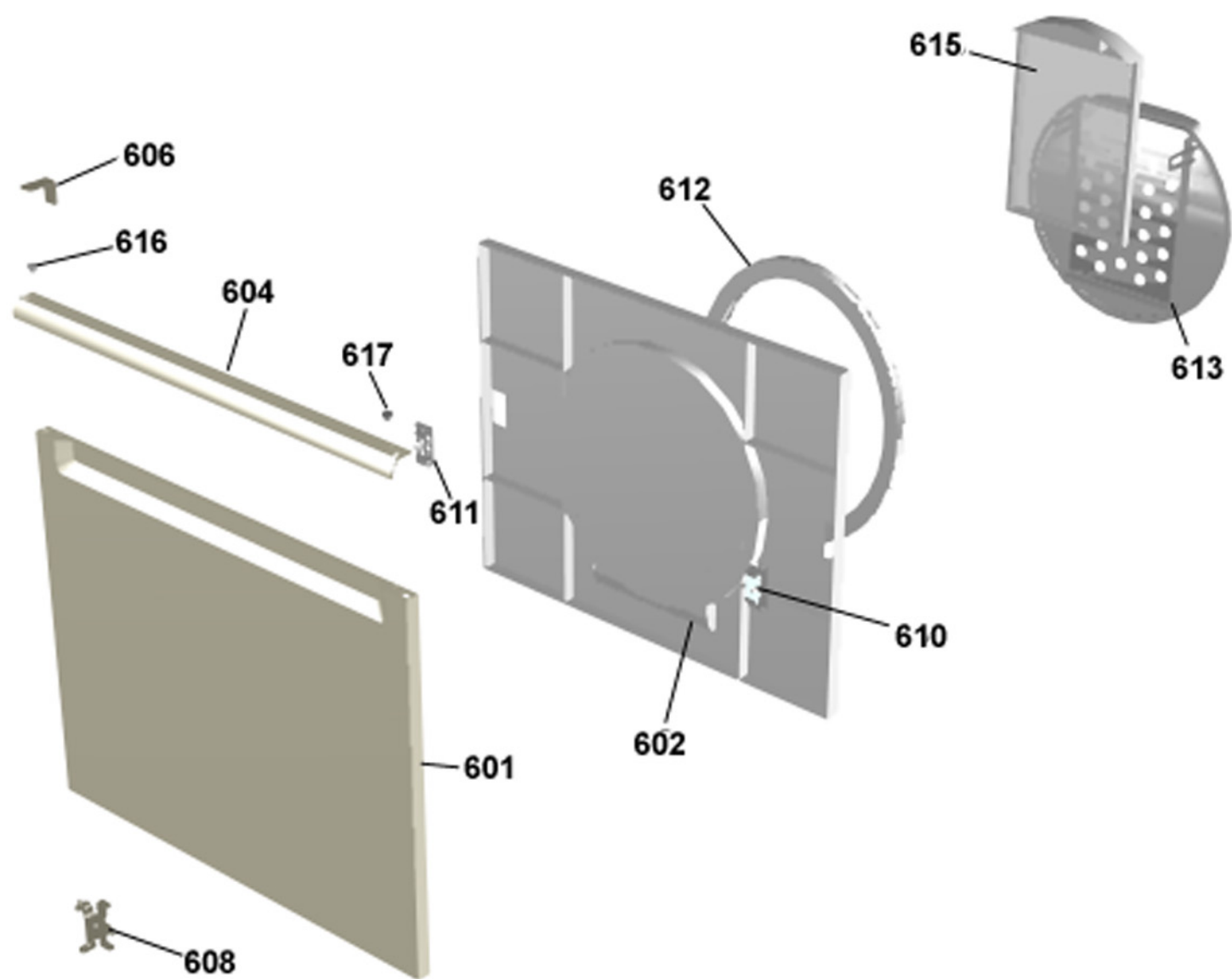
Pos	Spare part No.	Description	Qty	Comment
401	8065735-69-UL	PANEL WHANDLE T701 ASKO US	1 Pcs	
401-a	8901591	BINDING CLIP SCO 5740	4 Pcs	
403	8064945	LABEL PROGINFO TD11 EUROPE	1 Pcs	
407	8061846-69-UL	HANDLE PANEL MECH WMD20	0 Pcs	
411	8061711-69	PUSH BUTTON WMD20	5 Pcs	
413	8061892-69	KNOB TEMP/TIMER WCLIPS WMD20	2 Pcs	
415	8061822	DECOR LENS	1 Pcs	
416	8060478	INDLAMP (UL-RECONICED) UL4	1 Pcs	
490	8065662	INSTRUCT TD21 ENGLISH US/CA	1 Pcs	
490	8065663	INSTRUCTIONS TD21 FRENCH US/CA	1 Pcs	
490	8065664	INSTRUCT TD21 SPANISH US/CA	1 Pcs	



Upper session

ASKO, T701 US - Bisque (TD11US)

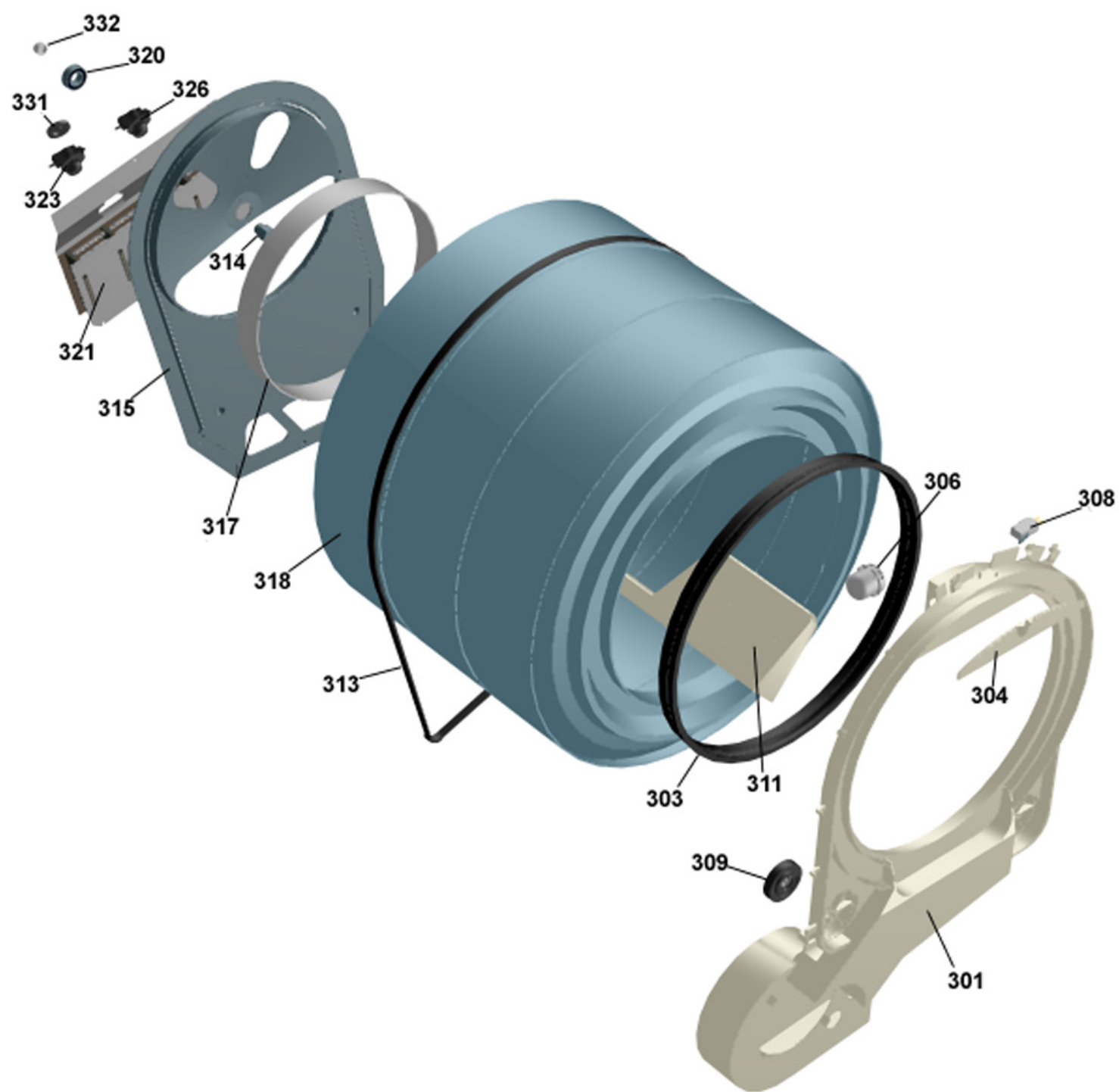
Pos	Spare part No.	Description	Qty	Comment
501	8061690	BEAM FRONT WMD20	1 Pcs	
501-a	8900338	SCREW RTK ST 42X95 FZB T20	2 Pcs	
501-b	8901413	LOCK WASHER AZ 43 GALV	2 Pcs	
501-c	8902087	SCREW PTK 40X14 WN1452 FZB T20	2 Pcs	
509	8061883	BUZZER TD20 UL4	1 Pcs	
509-a	8901097	SCREW MRT-TT 4X12 FZB T20	1 Pcs	
511	8061931	ROTARY SWITCH TD11/22	1 Pcs	
511-a	8901097	SCREW MRT-TT 4X12 FZB T20	2 Pcs	
517	8061875	PUSHBUTTONSW 2-POLE CLOS	4 Pcs	
521	8061877	PUSHBUTTON SWITCH 2-POL	1 Pcs	
525	8061839	TIMER TD11	1 Pcs	
529	8086700-1	BASIC HARNESS TD11	1 Pcs	
539	8061660	TERMINAL BLOCK 5-POLE	1 Pcs	
539-a	8901097	SCREW MRT-TT 4X12 FZB T20	1 Pcs	
544	8065573	FUSE HOLDER GREY 15A US/CA	2 Pcs	
544-a	8058140	FUSE 15AT 63X32	2 Pcs	
544-b	8055725	FUSE HOLDER INSERT STI	2 Pcs	
544-c	8054613	FUSE HOLDER HTB38	2 Pcs	
548	8064179	CONTACTOR 4S 50/60HZ	1 Pcs	
551	8901097	SCREW MRT-TT 4X12 FZB T20	1 Pcs	
551-a	8065734	EL. BOX USA TD21	1 Pcs	
552	8061033	RECEPTACLE 2-POL 3-WIRE 20/250	1 Pcs	
553	8061891	TERMINAL BLOCK DRYER US	1 Pcs	
554	8060462	GROMMET PG21	1 Pcs	
555	8060463	LOCK NUT PG21	1 Pcs	
556	8063756	LID ELBOX USA	1 Pcs	
556-a	8901097	SCREW MRT-TT 4X12 FZB T20	1 Pcs	



Outer door

ASKO, T701 US - Bisque (TD11US)

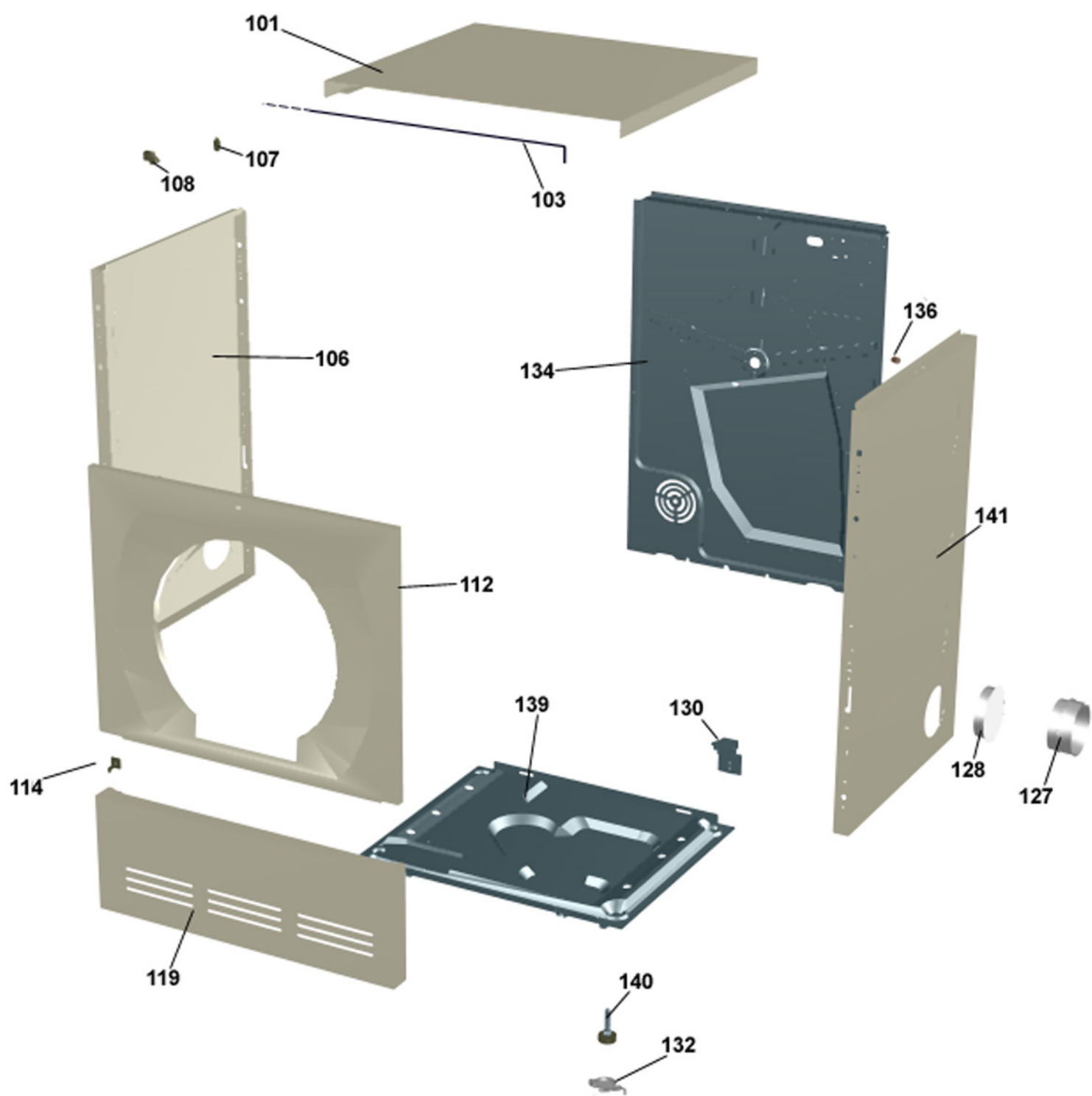
Pos	Spare part No.	Description	Qty	Comment
601	8061733-84	DOOR OUTER PART BISQUE	1 Pcs	
602	8061810	DOOR INNER	1 Pcs	
602-a	8902068	SCREW PTK 40X14 WN1453 PF FZB	5 Pcs	
604	8061813-86	HANDLE DOOR BLACK	1 Pcs	
606	8061805-86	HINGE UPPER BLACK	1 Pcs	
608	8061807-84	HINGE LOWER COMPL BISQUE	1 Pcs	
608-a	8900338	SCREW RTK ST 42X95 FZB T20	2 Pcs	
608-b	8901097	SCREW MRT-TT 4X12 FZB T20	1 Pcs	
610	8061878	MAGNET LOCK COMPL	1 Pcs	
611	8061886	HOLDER MAGNET LOCK TD20	0 Pcs	
612	8061815	DOOR SEAL OUTER	1 Pcs	
613	8061811	Repl by 8065840	1 Pcs	
615	8061812	DOUBLE FLUFF FILTER	1 Pcs	
616	8061865-0	HINGE BEARING WHITE TD20	1 Pcs	
616	8061865-33	HINGE BEARING BLACK TD20	1 Pcs	
617	8061953-33	PLUG DOOR BLACK TD20	1 Pcs	



Cylinder and related parts

ASKO, T701 US - Bisque (TD11US)

Pos	Spare part No.	Description	Qty	Comment
301	8801216	FRONT FRAME COMPL TD20/21	1 Pcs	
301-a	8902066	SCREW A2-PTK 35X14 WN1453 PF	4 Pcs	
303	8061821	FELT SEAL FRONT	1 Pcs	
304	8061932-49	LAMP HOUSING LID GREY UL4	1 Pcs	
306	8061887	LAMP CHIMNEY ULTEM TD20 UL4	1 Pcs	
308	8053107	MICROSWITCH DOOR	1 Pcs	
309	8052622	SUPPORT ROLLER COMPLETE	1 Pcs	
311	8052589	PADDLETT	2 Pcs	
311-a	8902099	SCREW PTK 50X14 WN1452 FZB T20	5 Pcs	
313	8065710	DRIVEBELT 7PH 1970 AS5B AIRBAG	1 Pcs	
314	8052632	BEARING BUSH	1 Pcs	
315	8061851	REAR PANEL INNER TD20	1 Pcs	
315-a	8900369	SCREW RTS 48X13 FZB T25	13 Pcs	
317	8064440	FELTSEALING REAR	1 Pcs	
318	8061800	CYLINDER COMPL TD20	1 Pcs	
320	8004439	BALL BEARING SKF 6202-2Z/C3Q66	1 Pcs	
321	8063808	HEATING ELEMENT 2500W UL4	1 Pcs	
321-a	8900369	SCREW RTS 48X13 FZB T25	2 Pcs	
323	8008487	THERMOSTAT 26237430 150C	1 Pcs	
323-a	8900369	SCREW RTS 48X13 FZB T25	1 Pcs	
326	8008807	THERMOSTAT 115 DEGREES	1 Pcs	
326-a	8900369	SCREW RTS 48X13 FZB T25	1 Pcs	
331	8052650	DIAPHRAGM OVERHEATPROTECTOR	1 Pcs	
332	8064151	CAP OF BOLT	1 Pcs	

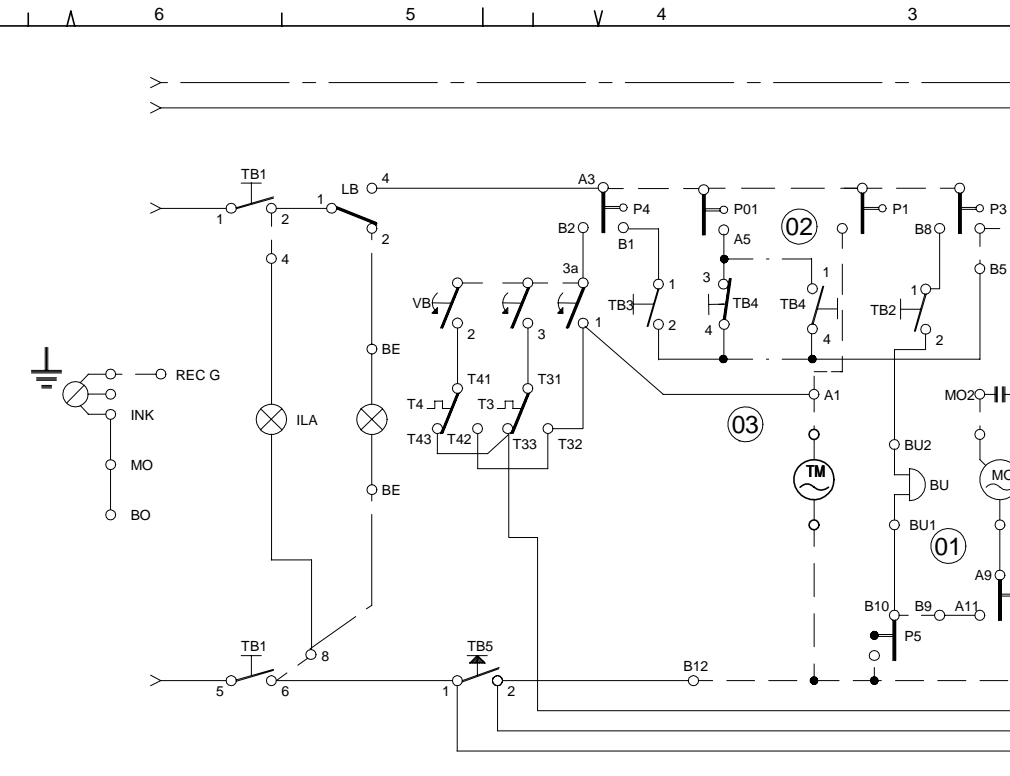
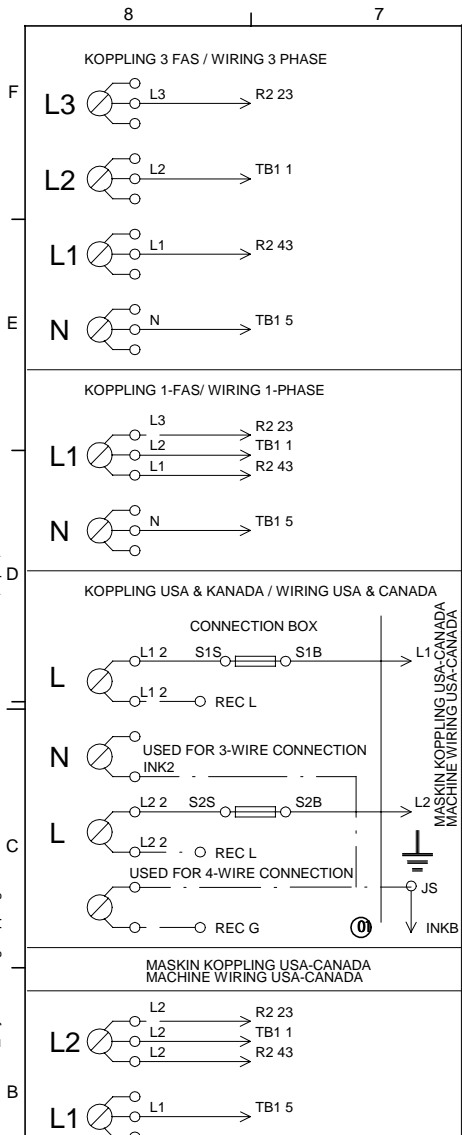


Outer casing

ASKO, T701 US - Bisque (TD11US)

Pos	Spare part No.	Description	Qty	Comment
101	8061817-84	TOP COVER BISQUE	1 Pcs	
101-a	8900338	SCREW RTK ST 42X95 FZB T20	3 Pcs	
101-b	8901413	LOCK WASHER AZ 43 GALV	2 Pcs	
103	8064062	STRIP TOP COVER WMD20 UL4	1 Pcs	
106	8801175-84	SIDE PLATE COMPLLEFT TD20 EXH	1 Pcs	
107	8061763	GUIDE FRONT PLATE/TOP COVER	2 Pcs	
108	8061916	CABLE HOLDER WMD20 UL4	3 Pcs	
112	8061847-84	FRONT PLATE TD20 BISQUE	1 Pcs	
112-a	8900338	SCREW RTK ST 42X95 FZB T20	2 Pcs	
112-b	8901413	LOCK WASHER AZ 43 GALV	2 Pcs	
114	8064177	HOOK LOWER PANEL UL4	2 Pcs	
114-a	8900338	SCREW RTK ST 42X95 FZB T20	2 Pcs	
119	8801247-84	LOWER COVER COMPL.W.CLIPS TD20	1 Pcs	
127	8052641	STUB EXHAUSTCANAL UL4	1 Pcs	
128	8052640-33-UL	LID EXHAUST CANAL BLACK UL4	2 Pcs	
130	8053980	TIP GUARD SURFACE CONDITIONED	2 Pcs	
132	8064114	CUP SELF ADHESIVEIN BAG(2pcs)	1 Pcs	
134	8064196	REAR PANEL OUTER PUNCHED	1 Pcs	
134-a	8900338	SCREW RTK ST 42X95 FZB T20	10 Pcs	
136	8061915	CABLE HOLDER TD20	1 Pcs	
139	8061618	BOTTOM WMD20	1 Pcs	
140	8059334	RUBBER FOOT D35xM10 INC NUT	4 Pcs	
141	8801176-84	SIDE PLATE COMPLRIGHT TD20EXH	1 Pcs	

S:\UW\mzd2011_Tryckunderlag\Kopplingschema\8061835 TD11-02.dft, läpe - 8/30/01 9:49:32 AM



STEP NR.	START POSITION	5	10	15	20	25	30	35
01	COOLING 18 NEDKYLNING 18							
1	COOLING 9 NEDKYLNING 9							
2	MOTOR DIRECT MOTOR DIREKT							
3	START RELAY START RELÄ							
4	HEATER RELAY ELEMENT RELÄ							
5	BUZZER SUMMER							

- BO: BOTTOM
BOTTEN
- MO: MOTOR
- R: RELAY
RELÄ
- ELL: VÄRMEELEMENT, LÅG EFFEKT
HEATER, LOW POWER
VÄRMEELEMENT, HÖG EFFEKT
- ELH: HEATER, HIGH POWER
- TM: TIMERMOTOR
- LB: DOOR SWITCH
LUCKBRYTARE
- T1: THERMOSTAT (MAN O.H.)
T2: THERMOSTAT (AUT O.H.)
T3: THERMOSTAT (HIGH)
T4: THERMOSTAT (LOW)
- BE: INTERNAL ILLUMINATION
INNERBELYSNING
- TB: PUSH BUTTON SWITCH
TRYCKBRYTARE
- ILA: INDICERINGSLAMP
INDICERINGSLAMP

- REC: OUTLET WASHING-MACHINE
UTTAG TVÄTTMASKIN
- INKB: MAIN TERMINAL BLOCK
INKOPPLINGSPLINT
- INTERNAL CONNECTION
INTERN KOPPLING
- ALTERNATIVE WIRING
ALTERNATIV KOPPLING
- | | | | | |
|---------|---------------------------------------|------|------|------|
| 03 | Changed number on TB 42 to TB 44 | PS | 01 | 41 |
| 02 | Changed function TB 4 | SS | 01 | 33 |
| 01 | LB2-LB4 and BU1-BU2 changed, JS added | PS | 99 | 26 |
| Rev ind | Revision | Appd | Year | Week |

Pos.	Qty	Part No.	Name of item
Material		Dens.Kg/dm3	Dimension
Scale		Gen.tolerance	Description
Designed by		Gen.tol.Angle	CIRC
Released by		Iss by Dept	Description
		Year	KOPP
		Week	
ASKO CYLINDA			

80