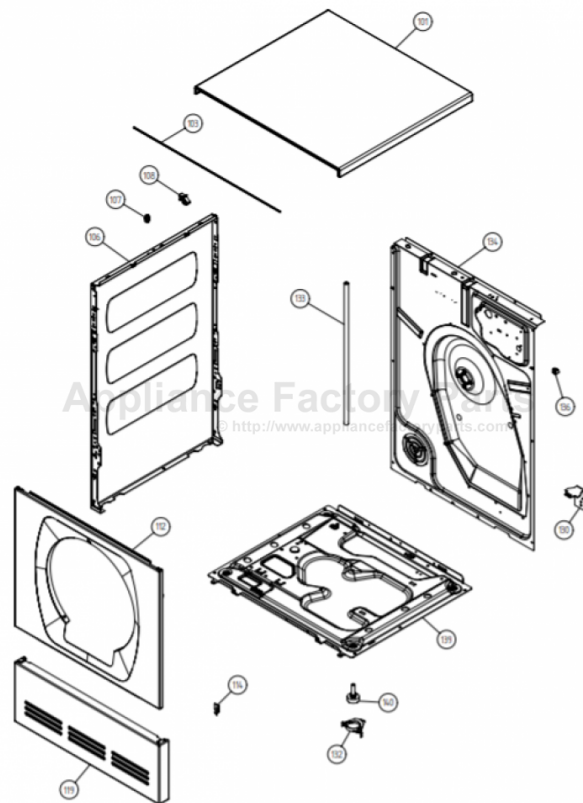


This Owner's Manual is provided and hosted by [Appliance Factory Parts](http://www.appliancefactoryparts.com).



ASKO T712C Owner's Manual

[Shop genuine replacement parts for ASKO T712C](#)



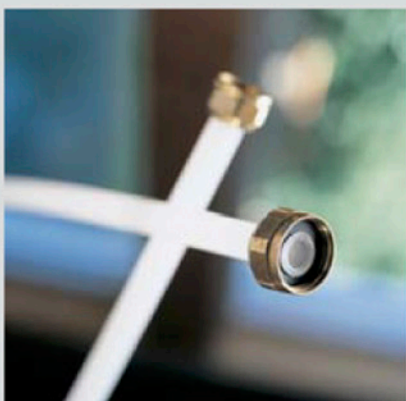
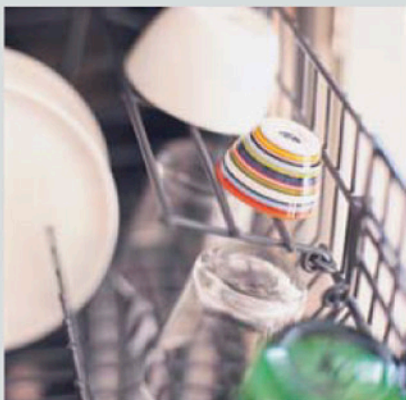
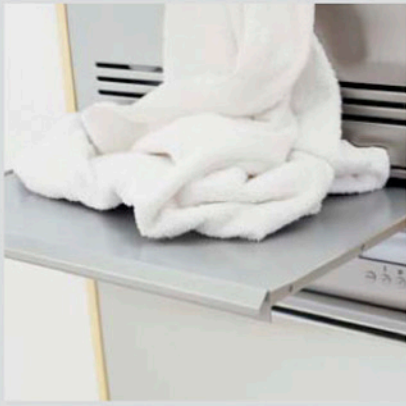
[Find Your ASKO Dryer Parts - Select From 74 Models](#)

----- Manual continues below part list -----

Available Replacement Parts for ASKO T712C

[8065710](#)

BELT ASKO



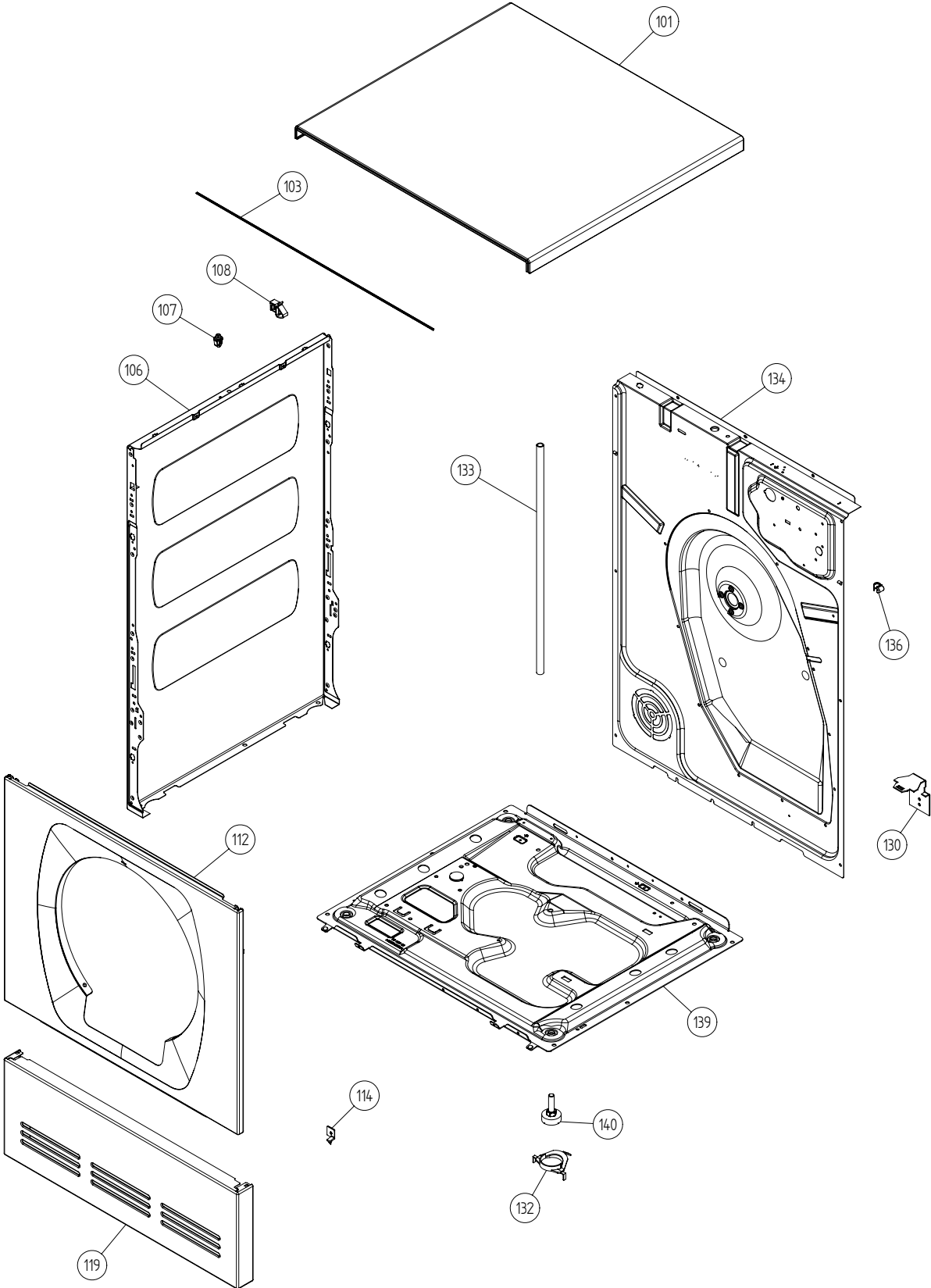
Spare Parts Catalogue

Dryers \ 700 Series
Type: TD25.3
Model: T712C US White

Prod. No: 10771210
January 9th 2007

AM Appliances Group

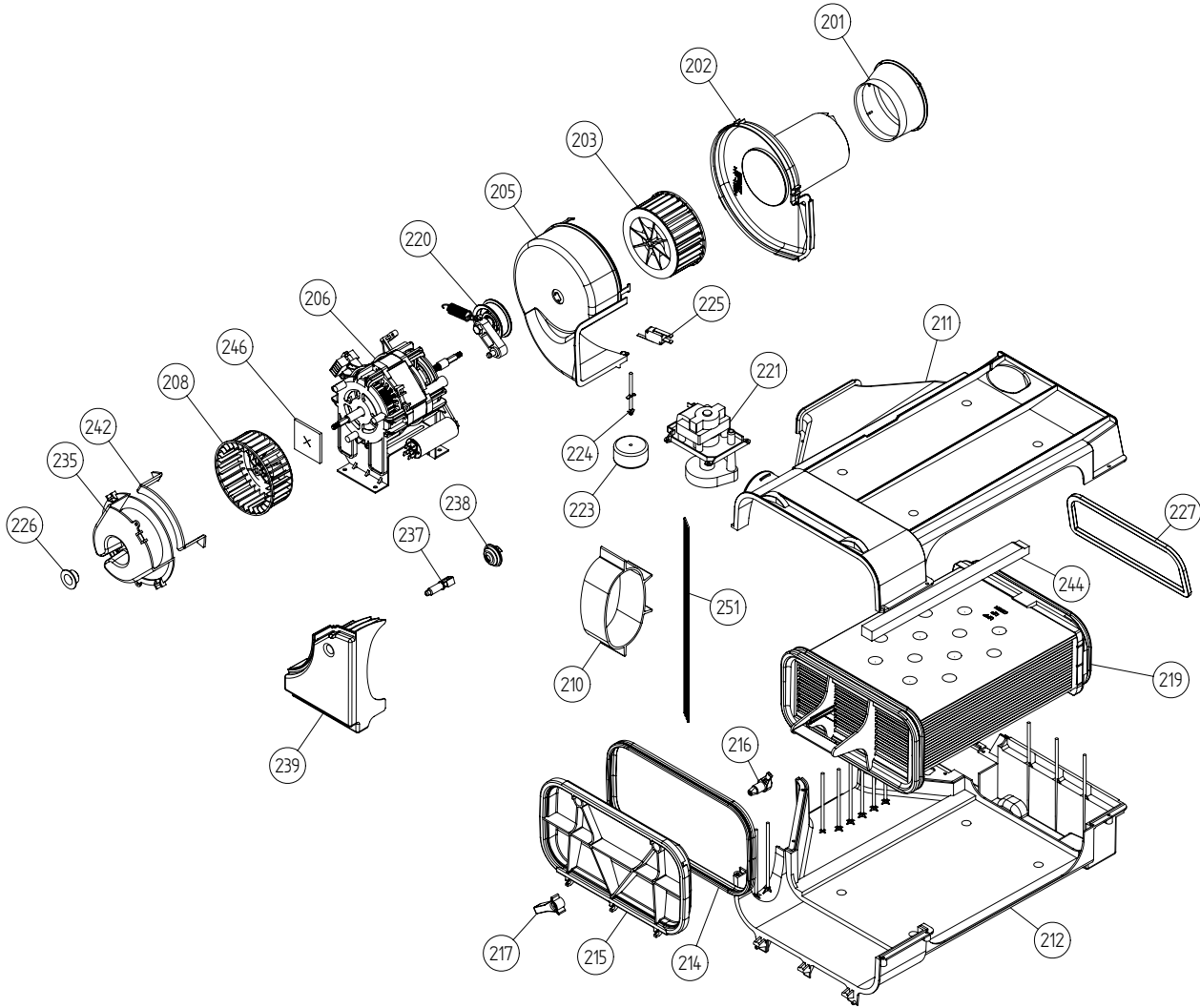
P.O. Box 851805 • Richardson • TX 75085-1805
789 N. Grove Road • Suite 103 • Richardson • TX 75081



Outer Casing

ASKO, T712C US - White (TD25.3)

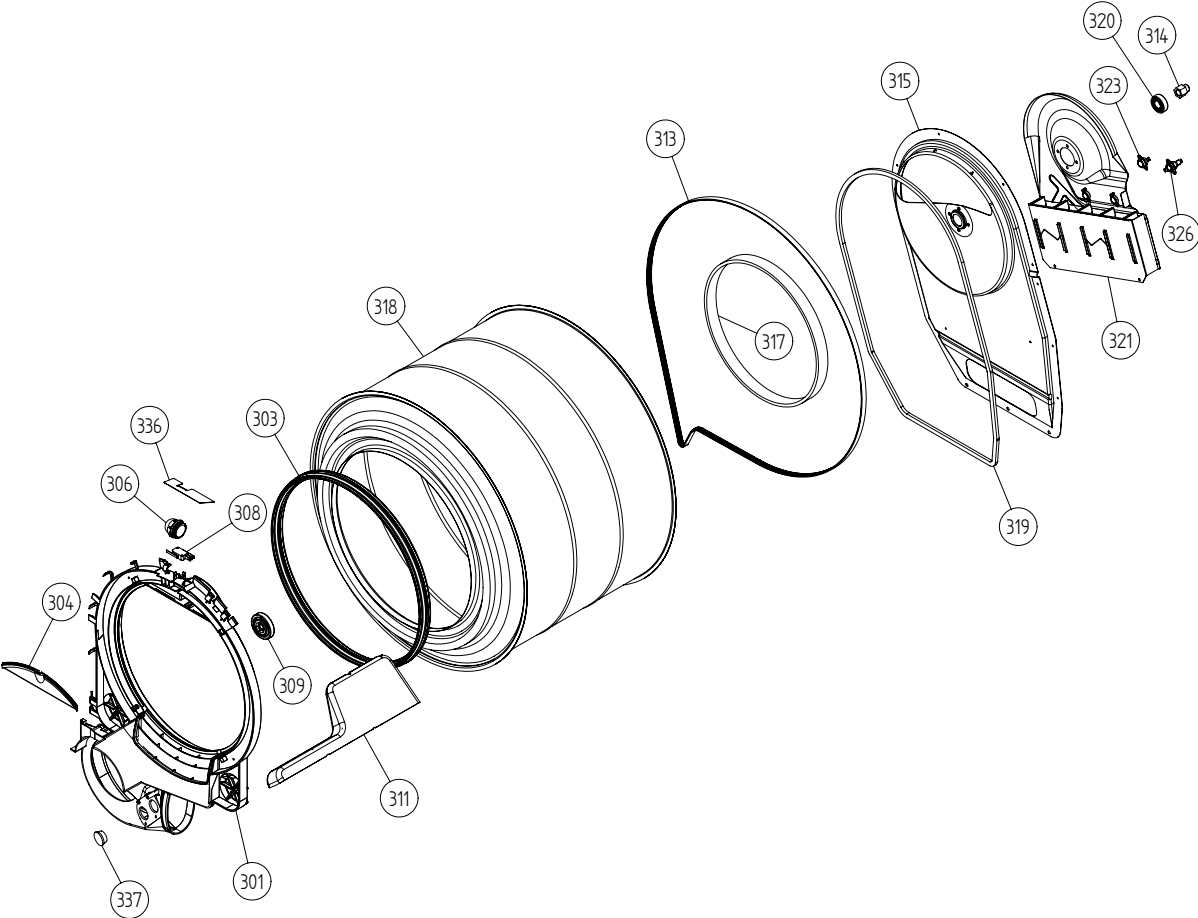
Pos	Spare part No.	Description	Qty	Comment
101	8061817-0	Top White W600s T700s	1 Pc's	
101-a	8900338	Screw 20 Torx Self Tapping	3 Pc's	
101-b	8901413	Lock Washer laundry tops	2 Pc's	
103	8064062	Top Cover Strip	1 Pc's	
106	8801174-0	Side Panel Washer 600s	2 Pc's	
107	8061763	Clip Front Plate 600700s	2 Pc's	
108	8061916	CABLE HOLDER WMD20	3 Pc's	
112	8061847-0	Front Plate 700 Series	1 Pc's	
112-a	8900338	Screw 20 Torx Self Tapping	2 Pc's	
112-b	8901413	Lock Washer laundry tops	2 Pc's	
114	8064177	Hook Lower Pane	2 Pc's	
114-a	8900338	Screw 20 Torx Self Tapping	2 Pc's	
119	8801247-0	Lower Cover w/Holes	1 Pc's	
130	8053980	STACKING Bracket ALL TDs Mus	2 Pc's	
132	8064114	Holder Dryer Feet Stacking	1 Pc's	
133	8054733	Rubber Hose Accy Drain Cond	1 Pc's	
134	8076336	REAR PANEL OUTER TD25	1 Pc's	
136	8061915	Cable Holder T700	1 Pc's	
139	8061618	BASE PAN WMD20	1 Pc's	
140	8059334	Leveling Leg Comp WMD 20	4 Pc's	



Lower Section

ASKO, T712C US - White (TD25.3)

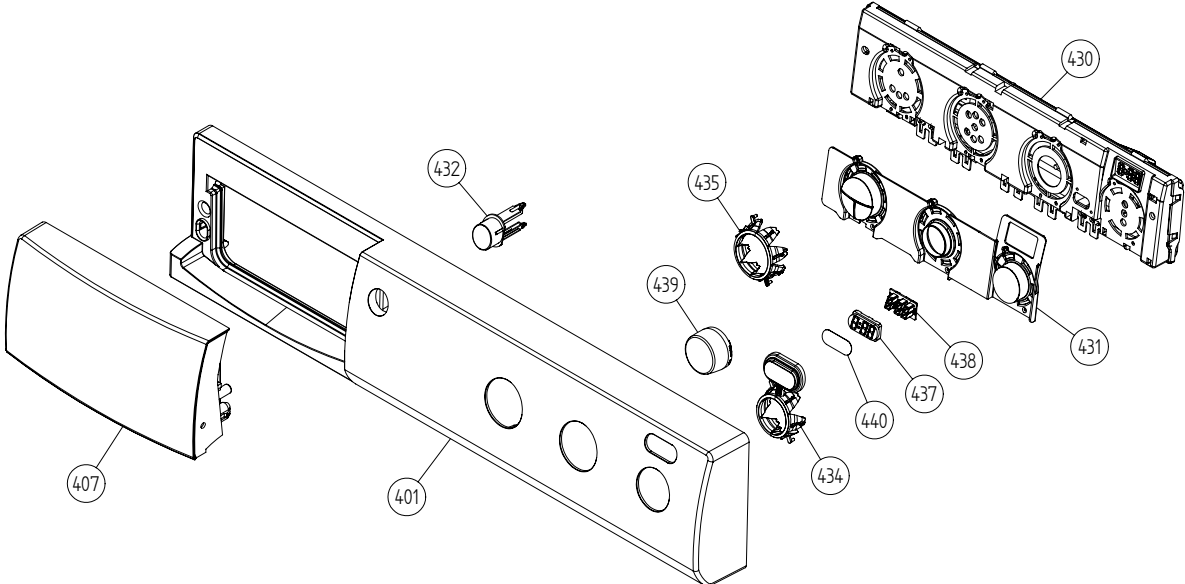
Pos	Spare part No.	Description	Qty	Comment
201	8061940	Air Canal	1 Pc's	
202	8052637	ExFan Inlet	1 Pc's	
203	8061960	Fan Impeller 700 Series	1 Pc's	
205	8052636	ExFan Motor	1 Pc's	
206	8061895	MOTOR COMPL. 60HZ TD20	1 Pc's	
206-a	8901969	Screw	4 Pc's	
206-b	8054268	Capacitor Dryer Motor 02/05	1 Pc's	
208	8055200	Blower Dryer Front All	1 Pc's	
208-a	8901192	Locking Nut WM 03/05	1 Pc's	
210	8058671	AIR HOSE	1 Pc's	
211	8080061	CONDENSER HOUSE UPPER /2 UL4	1 Pc's	
211	8077412	CONDENSER HOUSE UPPER UL4	1 Pc's	
211-a	8902087	Screw Plastic Housing 20 Torx	7 Pc's	
212	8080060	CONDENSER HOUSE LOWER /2 UL4	1 Pc's	
212	8052575	Condenser House Lower	1 Pc's	
212-a	8902087	Screw Plastic Housing 20 Torx	3 Pc's	
214	8052644	Seal Cond Door	1 Pc's	
215	8053112	Cover Cond House	1 Pc's	
216	8052606	LOCK HOOK	2 Pc's	
217	8052605	LOCK KNOB	2 Pc's	
217-a	8902099	Screw	2 Pc's	
219	8063752	CONDENSER SET COMPLETE	1 Pc's	
220	8801058	TENSION ARM Repl.by 8801214	1 Pc's	
221	8801194	Drain Pump Condenser 03/05 TD	1 Pc's	
221-a	8902087	Screw Plastic Housing 20 Torx	3 Pc's	
223	8053056	Float Condenser Dryers	1 Pc's	
224	8053098	Float Pin	1 Pc's	
225	8076103	MICROSWITCH FLOAT TD25	1 Pc's	
226	8061949	Plug Fan TD700 Series	1 Pc's	
227	8059711	Sponge Rubber Strip	1 Pc's	
235	8076330-0	FAN CASING LID UL4	1 Pc's	
235-a	8902042	Screw Protective Cover Dryer	2 Pc's	
237	8076224	THERMISTOR TD25	2 Pc's	
238	8076365	GROMMET THERMISTOR	1 Pc's	
239	8077102-49	Guard Fan 700 Series	1 Pc's	
239-a	8902042	Screw Protective Cover Dryer	2 Pc's	
242	8064184	SEALING COVER FAN HOUSE	1 Pc's	
244	8063905	SEALING STRIP CONDENSER SET	2 Pc's	
246	8058323	SHAFT SEAL DRYER	1 Pc's	
251	8079494	SEALING STRIP PUSH FIT	1 Pc's	



Cylinder and related parts

ASKO, T712C US - White (TD25.3)

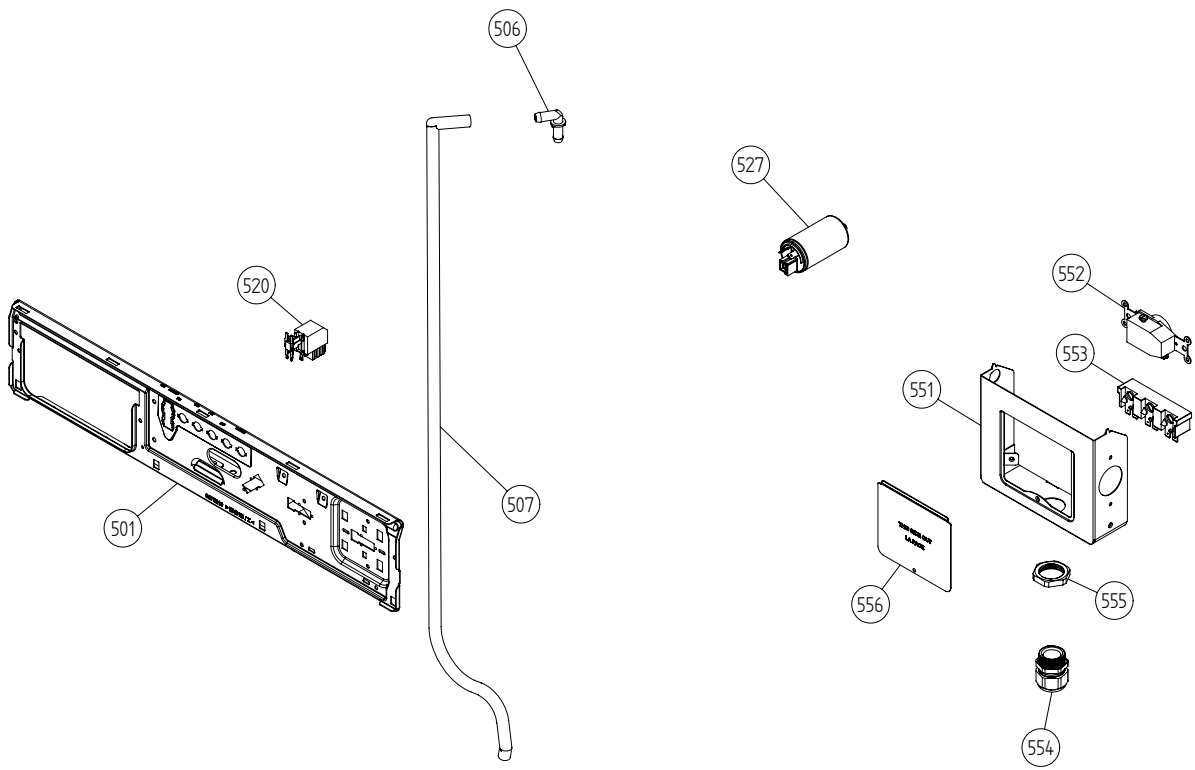
Pos	Spare part No.	Description	Qty	Comment
301	8801310	FRONT FRAME CPL TD25 NEW SEAL.	1 Pc's	
301	8801299	FRONT FRAME COMPL. TD20/21/25	1 Pc's	
301-a	8902066	Screw	4 Pc's	
303	8078539	FELTSEALING FRONT SAWN	1 Pc's	
303	8061821	Front Felt Seal T700	1 Pc's	
304	8061932-49	Lamp housing lid grey TD21	1 Pc's	
306	8061887	Lamp Chimney	1 Pc's	
308	8076104	DOOR SWITCH TD	1 Pc's	
309	8052622	Drum Roller Frt TD	2 Pc's	
309-a	8901337	Washer	2 Pc's	
309-b	8901193	Locking Nut	2 Pc's	
309-c	8901028	Screw	2 Pc's	
311	8052589-49	PADDLE TD	2 Pc's	
311	8052589	Paddle	2 Pc's	
311-a	8902099	Screw	5 Pc's	
313	8065710	sub to 8801267	1 Pc's	
314	8052632	Bushing Rear Drum 03/05 TD	1 Pc's	
314-a	8901130	SCREW A4-MVBF M8X40 7,9-8,0 HG	1 Pc's	
315	8076335	REAR PANEL INNER TD25	1 Pc's	
317	8064440	Felt sealing rear	1 Pc's	
318	8079449	CYLINDER COMPL. TD	1 Pc's	
318	8079493	CYLINDER COMPL. TD	1 Pc's	
319	8059712	Rubber Strip	1 Pc's	
320	8004439	Bearing Dryer Rear Panel All	1 Pc's	
321	8076226	HEATING ELEMENT 2500W TD25	1 Pc's	
323	8079200	THERMOSTAT 135C TD	1 Pc's	
326	8079737	THERMOSTAT 150C UL	1 Pc's	
336	8064187	GUARD, DOOR SWITCH	1 Pc's	
337	8076705	PLUG FOR THERMISTOR HOLE	2 Pc's	



Control panel

ASKO, T712C US - White (TD25.3)

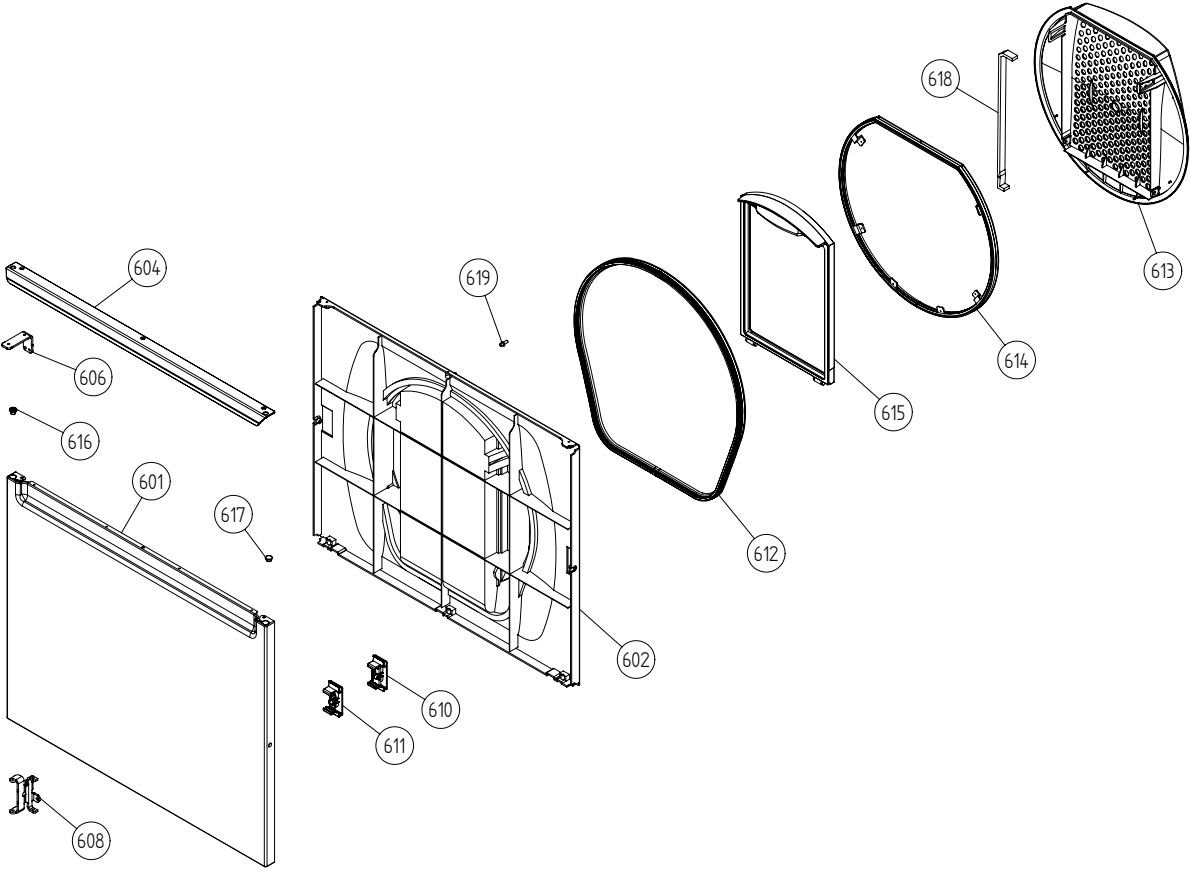
Pos	Spare part No.	Description	Qty	Comment
401	8079323-0-UL	PANEL W.HANDLE T712C ASKO US	1 Pc's	
403	8079788	LABEL PROG.INFO. TD25 US/CA	1 Pc's	
407	8061846-0-UL	Discontinued	1 Pc's	
430	8077132	CONTROL UNIT TD25.3 UL4	1 Pc's	
431	8079278-85	PUSHBUTTONS PRINTED TD25 VAR.3	1 Pc's	
432	8076364-85	PUSHBUTTON MAINSWITCH WMD25	1 Pc's	
434	8076235	LENS START/STOP WMD25	1 Pc's	
435	8076236	LENS 8 SEGMENT WMD25	2 Pc's	
437	8076685	LIGHT SCREENING LENS 7-SEGMENT	1 Pc's	
438	8076684	LENS 7-SEGMENT WMD25	1 Pc's	
439	8077334-8599UL	KNOB COMPL. SILV./TRANSP. UL4	1 Pc's	
440	8077396	DECOR PLATE WMD25	1 Pc's	
464	8077636	CABLE SET DOOR SWITCH	1 Pc's	
465	8076231	CABLE SET MOTOR,PUMP,FLOAT TD	1 Pc's	
466	8076232	CABLE SET THERMISTORS TD	1 Pc's	
467	8076229	CABLE SET HEATER TD	1 Pc's	
490	8079320	INSTRUCT. T712C ENGLISH US/CA	1 Pc's	
490	8079321	INSTRUCT. T712C FRENCH US/CA	1 Pc's	
490	8079322	INSTRUCT. T712C SPANISH US/CA	1 Pc's	



Upper Section

ASKO, T712C US - White (TD25.3)

Pos	Spare part No.	Description	Qty	Comment
501	8076210	BEAM FRONT WMD25	1 Pc's	
501-a	8900338	Screw 20 Torx Self Tapping	2 Pc's	
501-b	8901413	Lock Washer laundry tops	2 Pc's	
501-c	8902087	Screw Plastic Housing 20 Torx	2 Pc's	
506	8054072	NIPPLE WATER HOSE	1 Pc's	
507	8054732	Rubber Hose	1 Pc's	
520	8073782	MAIN PUSH SWITCH	1 Pc's	
527	8076202	EMC-FILTER WITH INDUCTOR	1 Pc's	
527	8076225	EMC-FILTER Repl.by 8076202	1 Pc's	
527-a	8901155	Nut	1 Pc's	
527-b	8901419	Lock Washer	1 Pc's	
551	8076324	Connection box T711	1 Pc's	
552	8061033	Subs to 8061455	1 Pc's	
553	8061891	Terminal Block DryerTD 20	1 Pc's	
554	8078291	GROMMET 94793	1 Pc's	
554	8060462	Grommet	1 Pc's	
555	8060463	Lock Nut	1 Pc's	
556	8063756	Cover Terminal block T700s	1 Pc's	
556-a	8901097	Screw Terminal	1 Pc's	



Outer Door

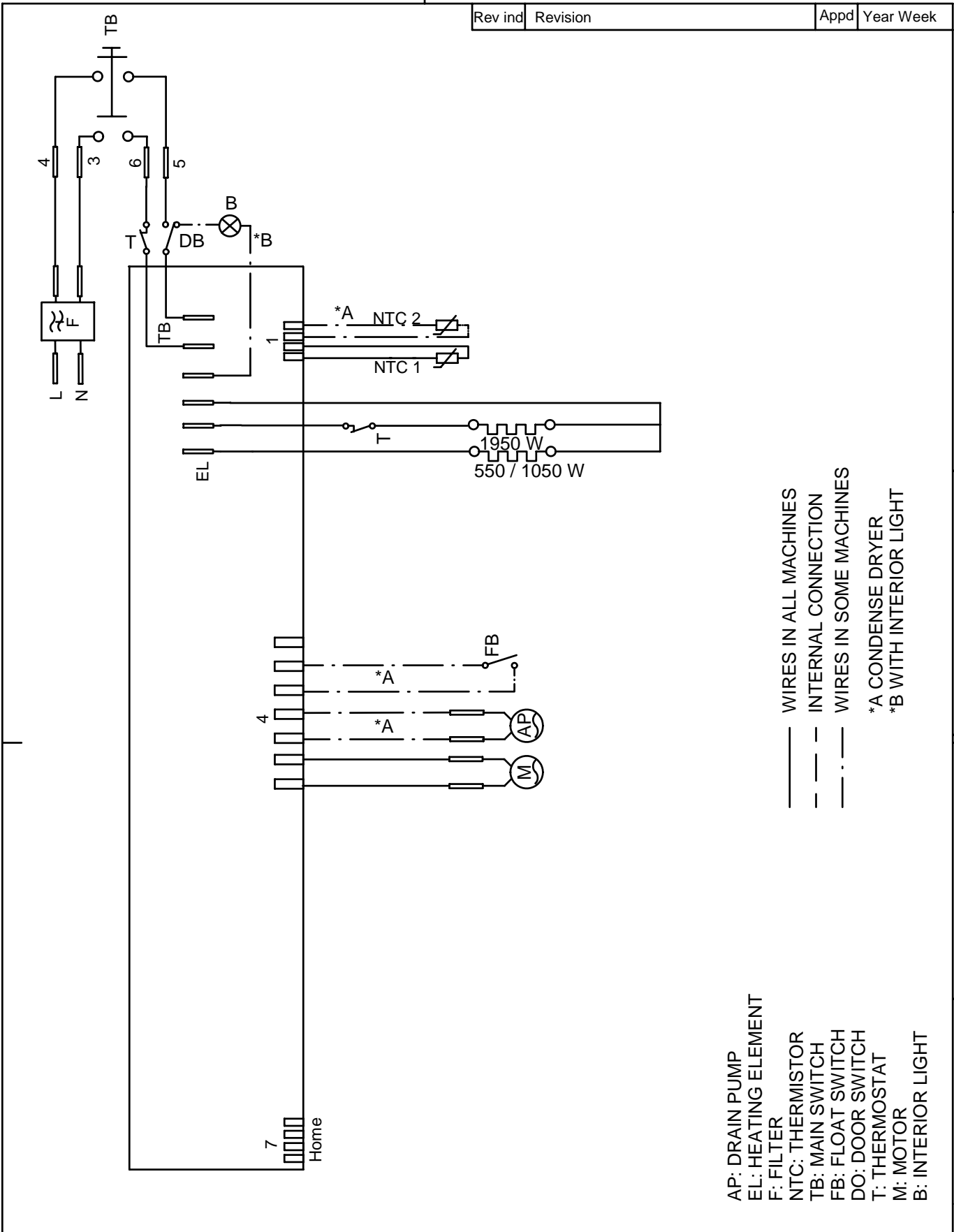
ASKO, T712C US - White (TD25.3)

Pos	Spare part No.	Description	Qty	Comment
601	8061733-0	Outer Door 600/700 Series	1 Pc's	
602	8061810	Inner Door Dryer T700 Series	1 Pc's	
602-a	8902068	Screw	5 Pc's	
604	8061813-0	Door Handle T700	1 Pc's	
606	8061803-0	Hinge Pin Upper compl 700s	1 Pc's	
606	8061805-0	hinge T711	1 Pc's	
606	8061805	SUB TO 80618050 hinge T711	1 Pc's	
606-a	8901097	Screw Terminal	2 Pc's	
606-b	8901619	Pop Rivet Det Comp	1 Pc's	
608	8061807-0	Lower Hinge Lower Compl	1 Pc's	
608	8061806-0	hinge lower T711	1 Pc's	
608-a	8900338	Screw 20 Torx Self Tapping	2 Pc's	
608-b	8901097	Screw Terminal	1 Pc's	
610	8061878	Magnet Door T700s	1 Pc's	
611	8061886	Lock Holder T700 Series	1 Pc's	
612	8061815	Seal Dryer Door T700s	1 Pc's	
613	8065840	Filter Holder Compl	1 Pc's	
614	8065274	Filter bracket T711	1 Pc's	
615	8061812	Double Lint filter 700s	1 Pc's	
616	8061865-0	Bushing Hinge Pin T700s	2 Pc's	
617	8061953-0	Door Plug T700s	1 Pc's	
618	8801250	Kit sealing strip/filter hold	1 Pc's	
619	8064240	Pin Door Switch Dryer	1 Pc's	

This document must not be copied without our written permission, and the contents thereof must not be imparted to a third party nor be used for any unauthorized purpose. Contraception will be prosecuted. ASKO CYLINDA AB

S:\UWVMD25\1_Tryckunderlag\Kopplingschema\8076101 Kopplingschema TD25\8076101 Circuit diagram TD25-b.dft , pema , 2005-04-12 15:50:48

Rev ind	Revision	Appd	Year	Week
---------	----------	------	------	------



- AP: DRAIN PUMP
 - EL: HEATING ELEMENT
 - F: FILTER
 - NTC: THERMISTOR
 - TB: MAIN SWITCH
 - FB: FLOAT SWITCH
 - DO: DOOR SWITCH
 - T: THERMOSTAT
 - M: MOTOR
 - B: INTERIOR LIGHT
- WIRES IN ALL MACHINES
 - - - INTERNAL CONNECTION
 - · - WIRES IN SOME MACHINES
 *A CONDENSE DRYER
 *B WITH INTERIOR LIGHT

Pos.	Qty	Part No.	Name of item	Material
		Material	Dens.Kg/dm ³	Dimensions, Type, etc.
Scale		Gen.tolerance		Description(ENG) CIRCUIT DIAGRAM TD25
Designed by Pema		Gen.tol.Angle		Description(SE) KOPPLINGSSCHEMA TD25
Released by		Iss by Dept UT	Year 03	Week 28
ASKO CYLINDA		80 761 01		Rev Ind b
		Replace		Project TD25