



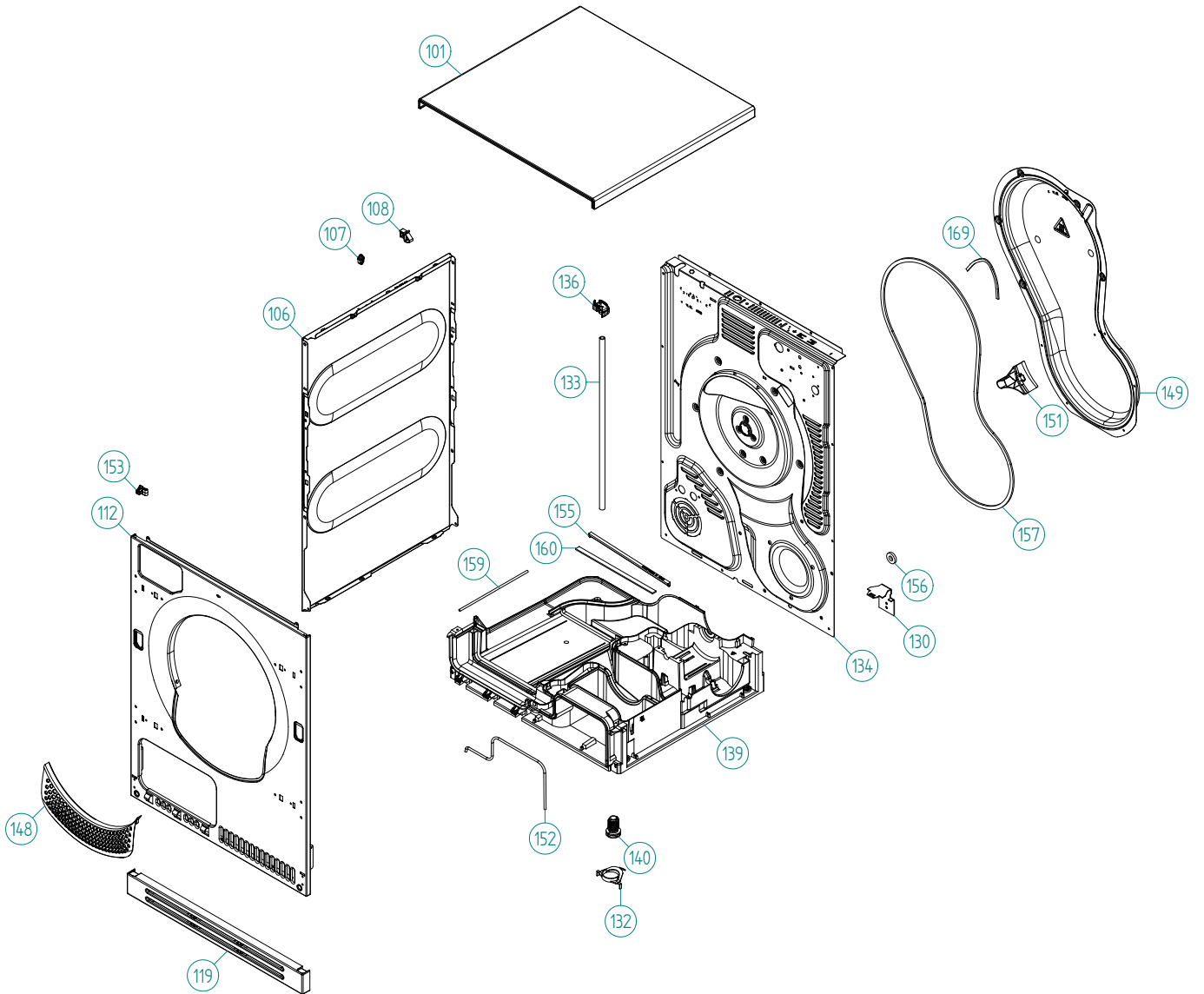
Spare Parts Catalogue

ASKO Tumble Dryers \ ASKO Prof Series
Type: TD70.C
Model: TDC 112 C US Stainless

Prod. No: 10770411
February 2nd 2013

ASKO Appliances Inc.

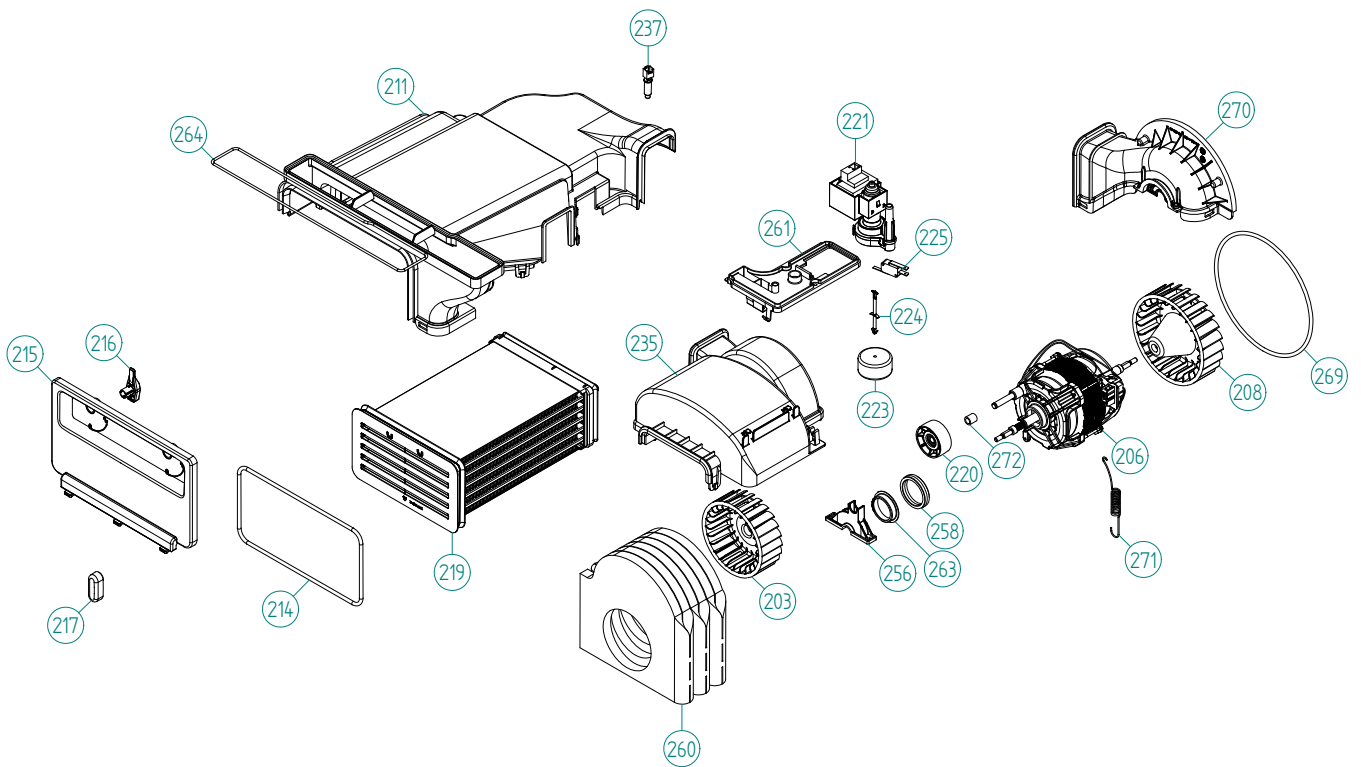
4001 E Plano Parkway #1004001 E Plano Parkway #100
Plano, Texas 75074



Outer Casing

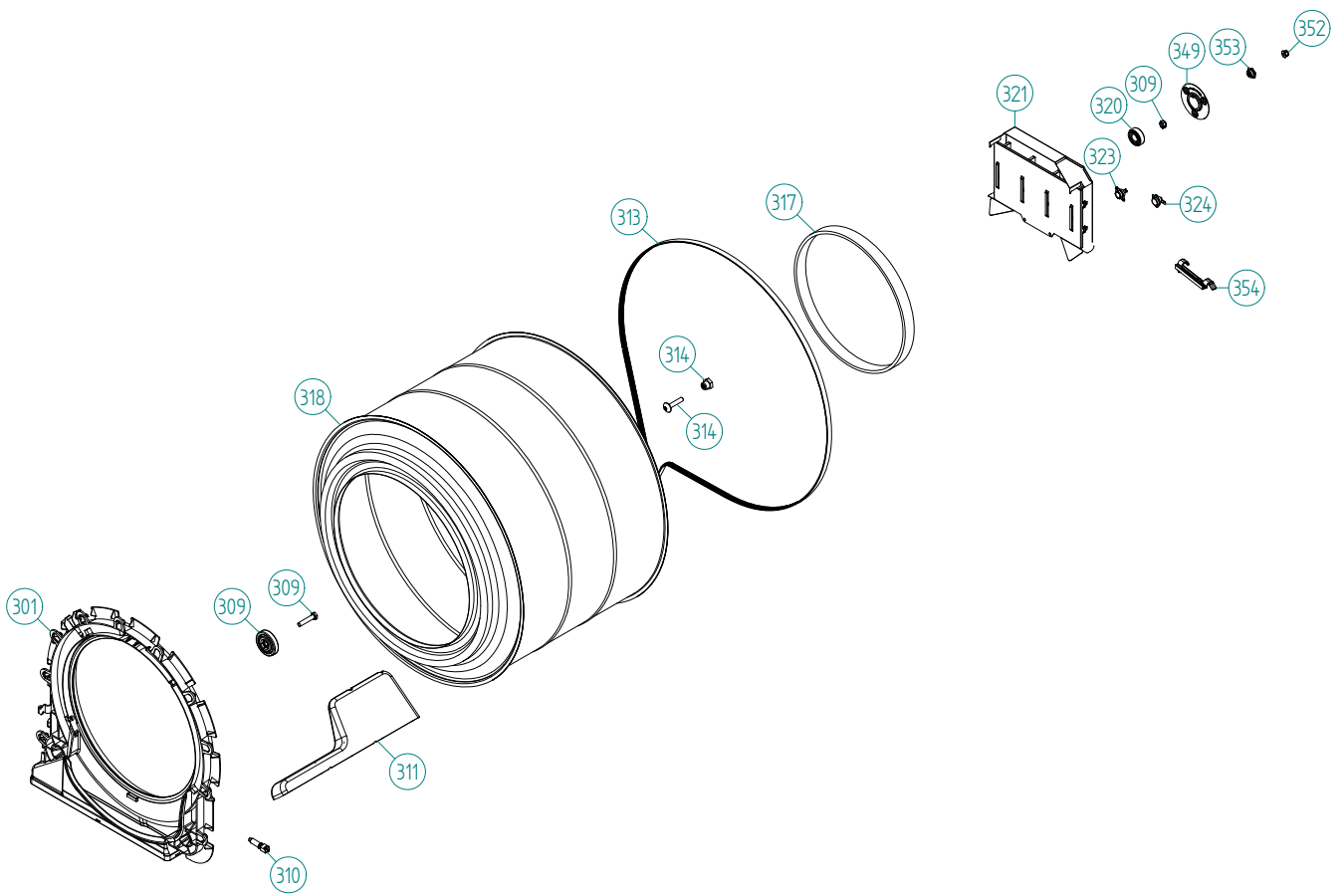
ASKO, TDC 112 C US - Stainless (TD70.C)

Pos	Spare part No.	Description	Qty	Comment
101	8061817-91	TOP COVER FPR	1 Pc's	
101-a	8902362	Screw 20 Torx Self Tapping	3 Pc's	
101-b	8901413	Lock Washer laundry tops	2 Pc's	
106	8082134-81	SIDE PANEL GREY METALLIC	2 Pc's	
106-a	8902087	Screw Plastic Housing 20 Torx	2 Pc's	
107	8061763	Clip Front Plate 600700s	3 Pc's	
108	8061916	CABLE HOLDER WMD20	1 Pc's	
112	8082109-HC-81	FRONT PANEL TD70 GREY METALLIC	1 Pc's	
112-a	8902087	Screw Plastic Housing 20 Torx	2 Pc's	
112-b	8902362	SCREW RTK ST 4,2X9,5 FZB WAX.	1 Pc's	
119	8077511-81	Condenser Cover	1 Pc's	
130	8053980	Stacking Bracket All TDs	1 Pc's	
130-a	8900327	Screw 20 Torx Self Tapping	1 Pc's	
132	8064114	Pair, Holders, TD Feet/Stacking	1 Pc's	
133	8054733	Rubber Hose Accy Drain Cond	1 Pc's	
134	8082112-AC	REAR PANEL	1 Pc's	
134-a	8901971	SCREW C1-PTK 35X14 WN1453 T15	2 Pc's	
134-b	8902362	SCREW RTK ST 4,2X9,5 FZB WAX.	6 Pc's	
134-c	8902087	Screw Plastic Housing 20 Torx	3 Pc's	
136	8079928	HOSE FRAME	1 Pc's	
136	8082459	HOSE CLIP	1 Pc's	
139	8082103	BASE UL4	1 Pc's	
140	8082296	PLASTIC FOOT	4 Pc's	
148	8801540-49	Decor Cover Front Frame Kit TD70	1 Pc's	
149	8082113-B	PANEL REAR COVER	1 Pc's	
149-a	8902362	SCREW RTK ST 4,2X9,5 FZB WAX.	10 Pc's	
151	8082114	INSERT REAR COVER	1 Pc's	
152	8090337	SEALING FRONTPANEL-EXT.INLET	1 Pc's	
153	8083205	SNAP-IN BRACKET FRONT PANEL	4 Pc's	
155	8082457	COVER DRAINING DITCH	1 Pc's	
156	8094236	SEALING DRAINING PIPE	1 Pc's	
157	8094235	SEAL. STRIP W. ADHE. 9X4 SILI.	1 Pc's	
159	8082311	SEALING INT.-EXT.AIR CONDENSE	1 Pc's	
160	8092325	SEALING COVER DRAINING DITCH	1 Pc's	
169	8094312	ADHESIVE SEAL. STRIP 2X6 SILI.	1 Pc's	



Lower session**ASKO, TDC 112 C US - Stainless (TD70.C)**

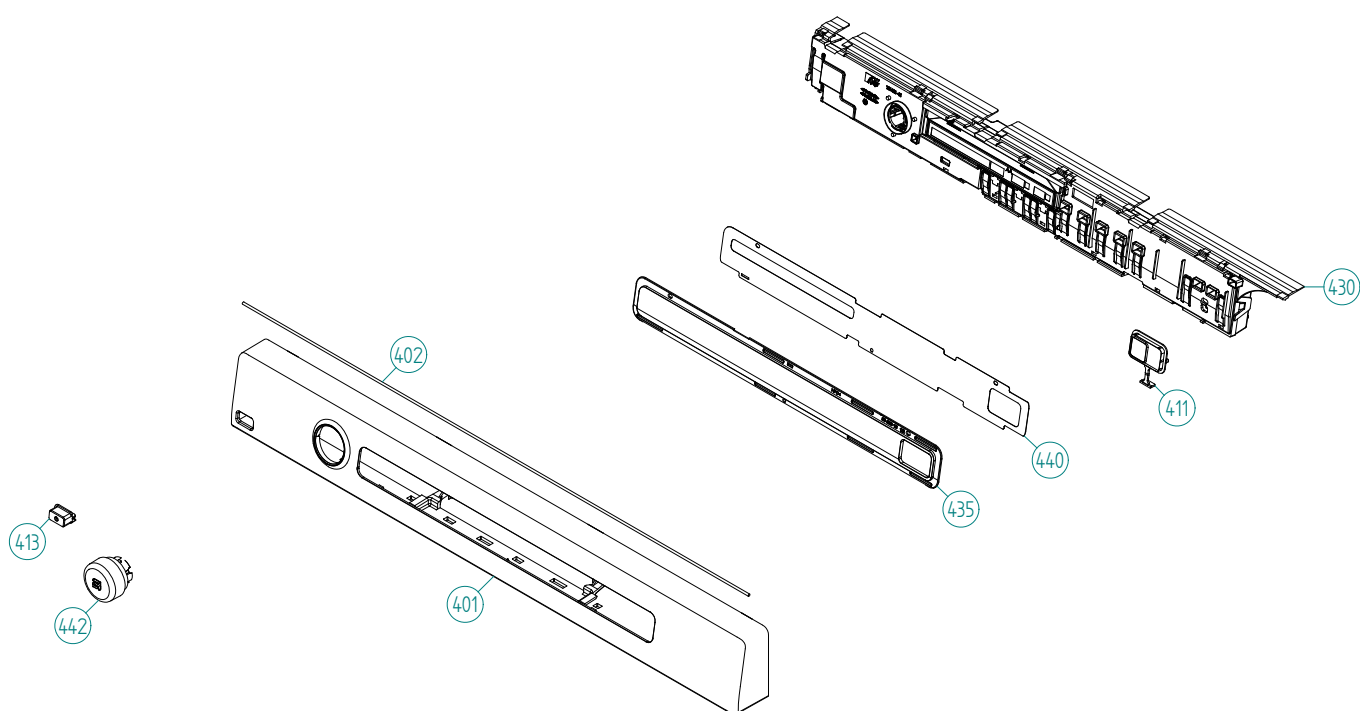
Pos	Spare part No.	Description	Qty	Comment
203	8082127	FAN WHEEL EXTERNAL COND. UL4	1 Pc's	
206	8083916	MOTOR 60HZ	1 Pc's	
206-a	8090314	CAPACITOR 60HZ	1 Pc's	
208	8082125	FAN WHEEL INTERNAL COND. UL4	1 Pc's	
211	8082105	COVER CONDENSER UL4	1 Pc's	
211-a	8902087	Screw Plastic Housing 20 Torx	7 Pc's	
214	8082108	SEALING CONDENSER LID	1 Pc's	
215	8082107-81	CONDENSER LID TITANIUM	1 Pc's	
216	8082121	LOCK CATCH CONDENSER LID	2 Pc's	
217	8077507-49	KNOB CONDENSER LID	2 Pc's	
217-a	8902085	Screw 20T for Plastic	2 Pc's	
219	8083902	CONDENSER COMPL.	1 Pc's	
220	8091899	TENSION WHEEL EMBEDDED BEARING	1 Pc's	
221	8084648	CONDENSATE PUMP 60HZ	1 Pc's	
223	8053056	Float Condenser Dryers	1 Pc's	
224	8091858	FLOAT PIN TD70	1 Pc's	
225	8076103	MICROSWITCH FLOAT TD25	1 Pc's	
235	8082116	COVER EXTERNAL INLET UL4	1 Pc's	
237	8083344	THERMISTOR TD	1 Pc's	
256	8082454	ENGINE BEARING FITTING	1 Pc's	
256-a	8902087	Screw Plastic Housing 20 Torx	2 Pc's	
258	8082455	RUBBER DAMPER ENGINE BEARING	2 Pc's	
260	8091434	SOUND ABSORBER INLET CONDENSE	1 Pc's	
261	8082132	COVER CONDENSATE RESERVOIRE	1 Pc's	
263	8082456	SLIDEER ENGINE BEARING	2 Pc's	
264	8088417	SEALING FRONT FRAME-COVER	1 Pc's	
269	8088416	SEALING FAN HOUSE	1 Pc's	
270	8082310	COVER INNER DUCT UL4	1 Pc's	
270-a	8902087	Screw Plastic Housing 20 Torx	2 Pc's	
271	8082161	BELT TENSIONER SPRING	1 Pc's	
272	8091071	SPACER SLEEVE	1 Pc's	



Cylinder and related parts

ASKO, TDC 112 C US - Stainless (TD70.C)

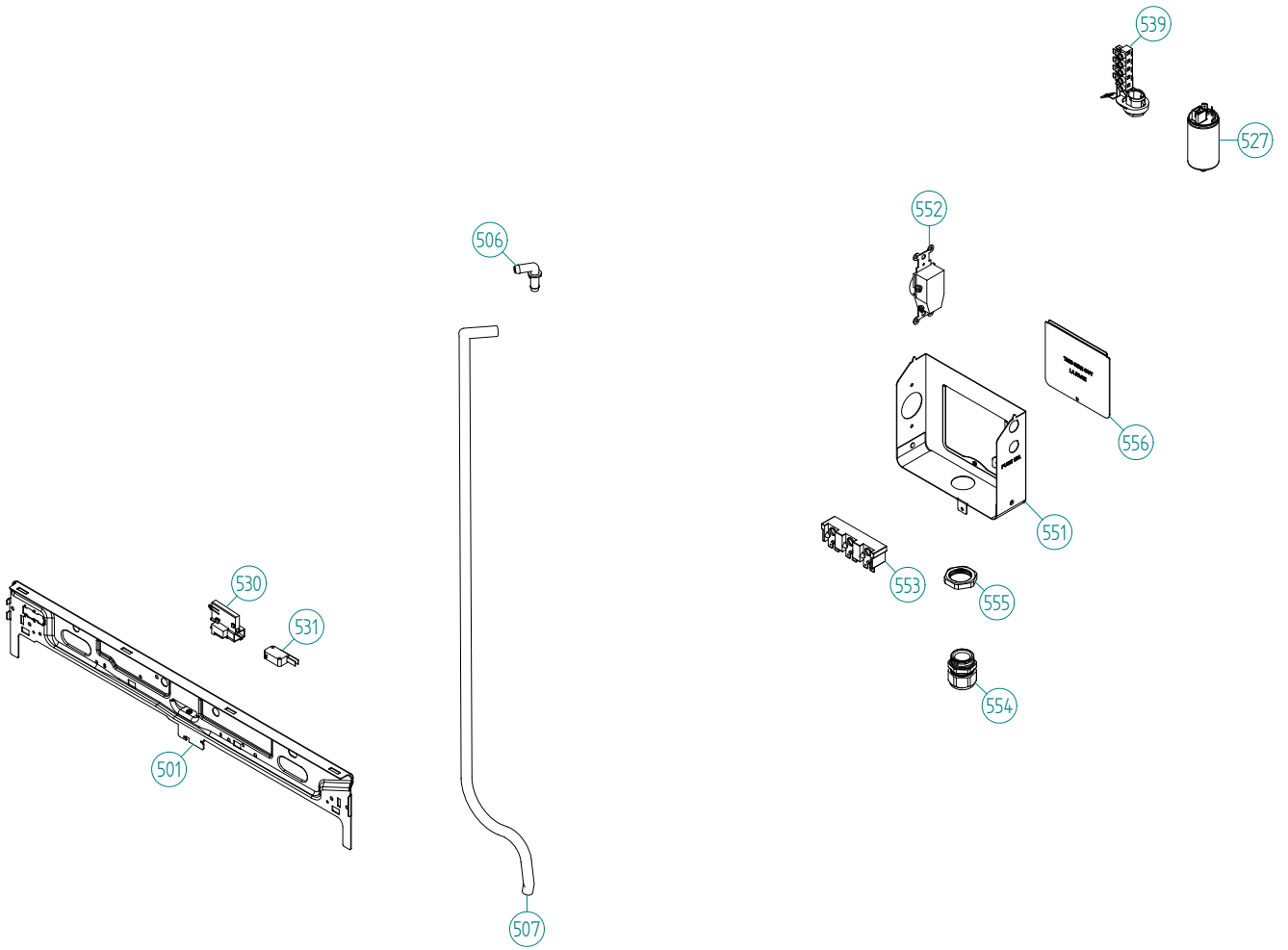
Pos	Spare part No.	Description	Qty	Comment
301	8801494	Front Frame w/Felt Seal TD70	1 Pc's	
301-a	8901971	SCREW C1-PTK 35X14 WN1453 T15	4 Pc's	
301-b	8090949	SEALING STRIP FRONT FRAME	1 Pc's	
309	8093182	Drum Roller Frt TD	2 Pc's	
309-a	8901337	Washer	2 Pc's	
309-b	8901193	Locking Nut	2 Pc's	
309-c	8901031	SCREW BUFO 8.8 8X40 GALV	2 Pc's	
310	8083344	THERMISTOR TD	1 Pc's	
311	8052589-49	PADDLE TD	2 Pc's	
311-a	8902099	Screw	5 Pc's	
313	8082133	BELT DRYER TD70	1 Pc's	
314	8082453	BEARING BUSHING SHORT	1 Pc's	
314-a	8088429	SCREW M8 A4 T40	1 Pc's	
317	8094481	FELTSEALING REAR	1 Pc's	
318	8091023-R	CYLINDER COMPL. TD	1 Pc's	
320	8004439	Bearing Dryer Rear Panel All	1 Pc's	
321	8091590	HEATING ELEMENT 2500W UL4	1 Pc's	
323	8090224	THERMOSTAT 110 TD	1 Pc's	
324	8090274	THERMOSTAT 135 MANUEL RESET UL	1 Pc's	
349	8082126	BEARING BRACKET	1 Pc's	
349-a	8902362	SCREW RTK ST 4,2X9,5 FZB WAX.	3 Pc's	
352	8902365	FLANGE NUT DIN6926 KL.8 M6 FZB	1 Pc's	
353	8082464	NUT BEARING LOCK	1 Pc's	
354	8082467	CABLE HOLDER HEATING ELEMENT	1 Pc's	



Control Panel

ASKO, TDC 112 C US - Stainless (TD70.C)

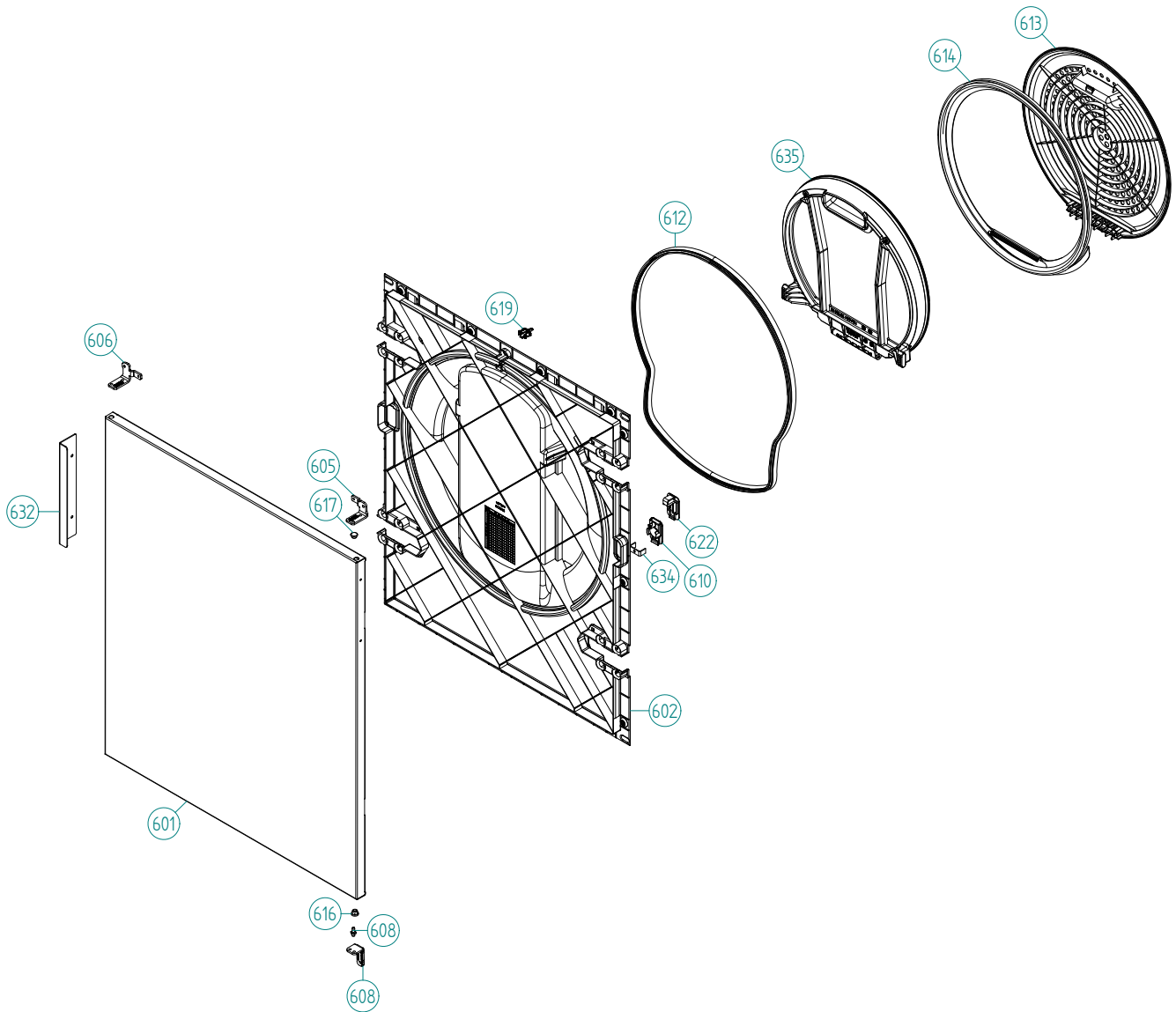
Pos	Spare part No.	Description	Qty	Comment
401	8089020-69-UL	PANEL ASKO PROFESSIONAL	1 Pc's	
402	8079749	Rubber Seal-Cntrl Panel to Brd	1 Pc's	
411	8091478-69	PUSHBU. ST/ST PRINTED TD60.2/C	1 Pc's	
413	8081710-69	PUSHBU. MAINSWITCH WMD60.2 UL4	1 Pc's	
430	8801522	CONTROL UNIT COMPL. TD70.C	1 Pc's	
435	8083316	LENS 0-OPTIONS WMD60.2	1 Pc's	
440	8083375-81	DECOR PLATE 0-OPTIONS WMD60.C	1 Pc's	
442	8081595-69-UL	KNOB ASKO WMD60.2 UL4	1 Pc's	
469	8083064	CABLE SET COIN OP. WMD60.C	1 Pc's	
469	8086440	CABLE SET COIN BOX	1 Pc's	
490	8092866	INSTRUCT. TDC112C ENGLI. US/CA	1 Pc's	
490	8092867	INSTRUCT. TDC112C FRENCH US/CA	1 Pc's	



Upper session

ASKO, TDC 112 C US - Stainless (TD70.C)

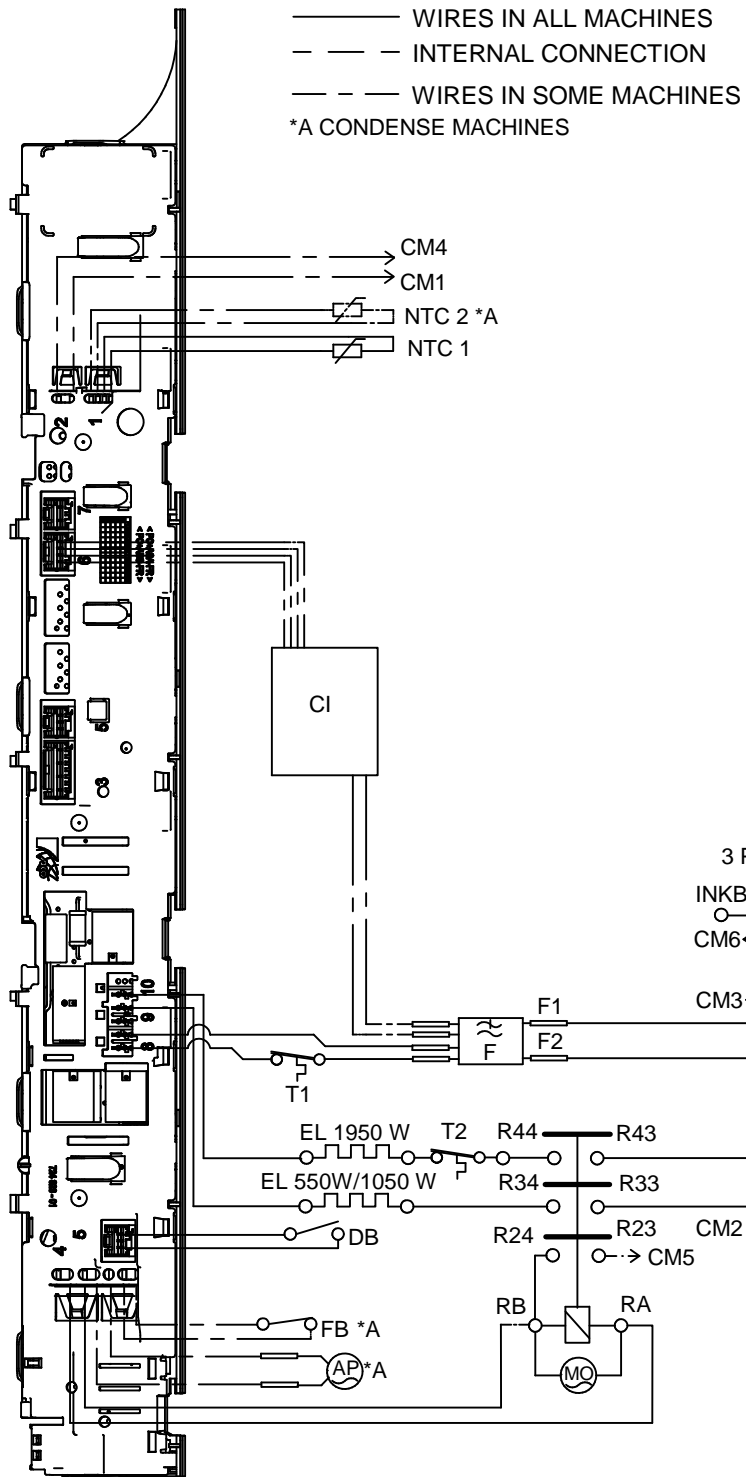
Pos	Spare part No.	Description	Qty	Comment
501	8076029	FRONTBEAM	1 Pc's	
501-a	8902087	Screw Plastic Housing 20 Torx	1 Pc's	
506	8054072	NIPPLE WATER HOSE	1 Pc's	
507	8088419	RUBBER HOSE 9X13X1145	1 Pc's	
527	8076202	EMC-FILTER WITH INDUCTOR	1 Pc's	
527-a	8901155	Nut	1 Pc's	
527-b	8901419	Lock Washer	1 Pc's	
529	8090212	CABLE BUNDLE TD70.1/70.2 COND.	1 Pc's	
530	8077519	BRACKET FOR DOOR SWITCH	1 Pc's	
531	8073836	MICROSWITCH DOOR	1 Pc's	
539	8061660	Terminal Block 5Pole	1 Pc's	
539-a	8901097	Screw Terminal	1 Pc's	
551	8076324	Connection box T711	1 Pc's	
552	8061455	Receptacle 05 WMD Connect	1 Pc's	
553	8061891	Terminal Block DryerTD 20	1 Pc's	
554	8060462	Grommet	1 Pc's	
555	8060463	Lock Nut	1 Pc's	
556	8063756	Cover Terminal block T700s	1 Pc's	
556-a	8901097	Screw Terminal	1 Pc's	
588	8083019	CABLE SET LB TD UL4	1 Pc's	



Outer Door

ASKO, TDC 112 C US - Stainless (TD70.C)

Pos	Spare part No.	Description	Qty	Comment
601	8076033-KK-91	OUTER DOOR COMM. FPR	1 Pc's	
601-a	8900352	Screw RTS ST 4.2X13 FZB TORX/J	6 Pc's	
602	8082111-49	DOOR INNER PART	1 Pc's	
605	8077599-81	HINGE UPPER R	1 Pc's	
605-a	8900327	Screw 20 Torx Self Tapping	2 Pc's	
605-b	8901097	Screw Terminal	1 Pc's	
605-c	8061804	HINGE PIN	1 Pc's	
606	8079489-81	HINGE UPPER L	1 Pc's	
606-a	8900327	Screw 20 Torx Self Tapping	2 Pc's	
606-b	8901097	Screw Terminal	1 Pc's	
606-c	8061804	HINGE PIN	1 Pc's	
608	8076032-81	HINGE DOOR LOWER	1 Pc's	
608-a	8901097	Screw Terminal	2 Pc's	
608-b	8061804	HINGE PIN	1 Pc's	
610	8080101-49	MAGNET LOCK COMPL.	1 Pc's	
610-a	8902087	Screw Plastic Housing 20 Torx	1 Pc's	
612	8087917	SEALING INNER DOOR	1 Pc's	
613	8083220-49	FILTER HOLDER GREY	1 Pc's	
614	8087916	SEALING FILTER HOLDER	1 Pc's	
616	8061865-81	Hinge Bearing 700 Series	2 Pc's	
617	8061953-81	Door Plug Titanium	1 Pc's	
619	8077488-49	DOOR PIN	1 Pc's	
622	8076079-49	COVER FOR LOCK/LOCK HOOK	1 Pc's	
632	8083380-91	HANDLE TD60.C	1 Pc's	
634	8081680	TINPLATE MAGNETIC CATCH	1 Pc's	
635	8801511	LINT FILTER COMPL. TD70	1 Pc's	



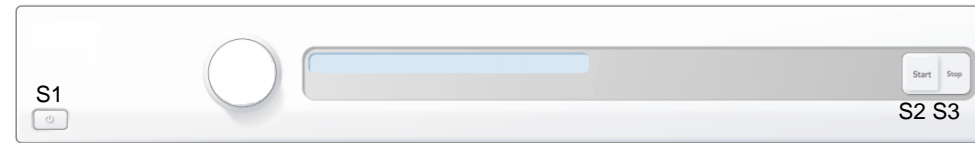
——— WIRES IN ALL MACHINES
 - - - INTERNAL CONNECTION
 - - - WIRES IN SOME MACHINES
 *A CONDENSE MACHINES

CABLE POSITIONS

- 1: THERMISTOR
- 2: COINMETER
- 4: MOTOR, DRAIN PUMP, FLOAT SWITCH
- 5: DOOR SWITCH
- 6: COMMUNICATIONS INTERFACE
- 8: POWER
- 9: HEATING ELEMENT

RESISTANCES AT ROOM TEMPERATURE (CA. 20°C/68°F)
 VALUES WITH +/-10% ARE REGARDED AS NORMAL
 COMPONENT

- F: RADIO INTERFERENCE SUPPRESSION FILTER 680K Ohm
- NTC 1: THERMISTOR 1 4 - 6 K Ohm
- NTC 2: THERMISTOR 2: 4 - 6 K Ohm
- AP: DRAIN PUMP: 111 Ohm
- EL: HEATING ELEMENT 1050W 45.3 Ohm
- EL: HEATING ELEMENT 1950W 20.5 Ohm
- MO: MOTOR
- T1: THERMOSTAT, OVERHEATING (HEATER)
- T2: THERMOSTAT, OVERHEATING (HEATER)
- FB: FLOAT SWITCH
- DB: DOOR SWITCH
- CI: COMMUNICATIONS INTERFACE



SERVICE MENU

- TURN OFF POWER (S1)
- WAIT FOR AT LEAST 5 SEC
- HOLD S2
- TURN ON POWER (S1)
- PRESS S2 5 TIMES TO ENTER SERVICE MENU

- PRESS STOP (S3) TO CHANGE MENU STEP
- ROTATE DIAL TO CHANGE IN STEP
- PRESSING START (S2) STORES AND EXITS SERVICE MENU

USER SETTINGS MENU

- TURN OFF POWER (S1)
- WAIT FOR AT LEAST 5 SEC
- HOLD S3
- TURN ON POWER (S1)
- PRESS S3 5 TIMES TO ENTER MENU

CONNECTOR FOR COIN METER

If coin meter is selected CM1 and CM4 needs to be closed to start the machine (default closed with jumper)

BLACK	CM1	FROM CONTROL UNIT
BROWN	CM2	PHASE
BLUE	CM3	NEUTRAL
BLACK	CM4	FROM CONTROL UNIT
BLUE	CM5	RESET (FROM MOTOR)
YELLOW-GREEN	CM6	GROUND

2011-07-07

CIRCUIT DIAGRAM TD70.C

80 902 58 - 00

This document must not be copied without our written permission, and the contents thereof must not be imparted to a third party nor be used for any unauthorized purpose. Contravention will be prosecuted. Asko Appliances AB