

Monessen

Outdoor Gas Fireplace Models: ODGR400, ODGR500

INSTALLER/CONSUMER SAFETY INFORMATION

**PLEASE READ THIS MANUAL
BEFORE INSTALLING AND USING
APPLIANCE.**

WARNING: If the information in this manual is not followed exactly, a fire or explosion may result causing property damage, personal injury or loss of life.

— Do not store or use gasoline or other flammable vapors and liquids in the vicinity of this or any other appliance

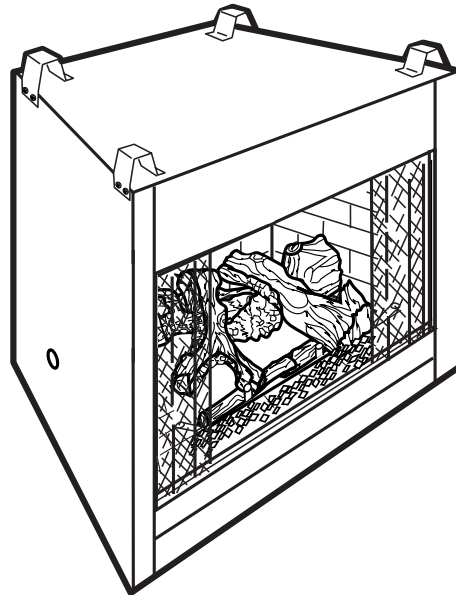
—WHAT TO DO IF YOU SMELL GAS

- Do not try to light any appliance.
- Do not touch any electrical switch; do not use any phone in your building.
- Immediately call your gas supplier from a neighbor's phone. Follow the gas supplier's instructions.
- If you cannot reach your gas supplier, call the fire department.

— Installation and service must be performed by a qualified installer, service agency or the gas supplier.

WARNING: Improper installation, adjustment, alteration, service or maintenance can cause injury or property damage. Read the installation, operating and maintenance instructions thoroughly before installing or servicing this equipment.

WARNING:
For Outdoor Use ONLY.



Homeowner's Installation and Operating Manual



INSTALLER: Leave this manual with the appliance.
CONSUMER: Retain this manual for future reference.

Table of Contents

Thank you and Congratulations on your purchase of a MHSC fireplace.

PLEASE READ THE INSTALLATION & OPERATING INSTRUCTIONS BEFORE USING THE APPLIANCE

IMPORTANT: Read all instructions and warnings carefully before starting installation. Failure to follow these instructions may result in a possible fire hazard and will void the warranty.

| | |
|--|----|
| Installation & Operating Instructions | 3 |
| General Information..... | 3 |
| Fireplace Dimensions..... | 4 |
| Moisture Resistance..... | 5 |
| Screened Porch Installation | 5 |
| Clearance to Combustibles | 5 |
| Mantels | 5 |
| Hearth | 5 |
| Moisture Resistance..... | 6 |
| Framing & Finishing | 6 |
| Final Finishing | 6 |
| Gas Specifications..... | 7 |
| Gas Inlet & Manifold Pressures..... | 7 |
| High Elevations | 7 |
| Valve Access | 7 |
| Exterior Chase Installation | 8 |
| Gas Line Installation..... | 8 |
| Remote Wall Switch | 9 |
| Operating Instructions | |
| Log Installation | 10 |
| Lava Rock | 10 |
| First Firing | 10 |
| Flame Adjustment..... | 11 |
| Flame Characteristics..... | 11 |
| Optional Weather Enclosures..... | 12 |
| Optional Stainless Steel Hood..... | 12 |
| Lighting & Operating Instructions | 13 |
| Troubleshooting..... | 14 |
| Maintenance | 15 |
| Replacement Parts | 16 |
| Accessories | 18 |
| Warranty | 19 |

IMPORTANT:

PLEASE READ THE FOLLOWING CAREFULLY

Remove any plastic from trim parts before turning the fireplace "ON".

It is normal for fireplaces fabricated of steel to give off some expansion and/or contraction noises during the start up or cool down cycle. Similar noises are found with your furnace heat exchanger or car engine.

It is not unusual for your Majestic Fireplaces gas fireplace to give off some odor the first time it is burned. This is due to the curing of the paint and any undetected oil used in the manufacturing process.

It is recommended that you burn your fireplace for at least ten (10) continuous hours the first time you use it.

Proposition 65 Warning: Fuels used in gas, wood-burning or oil fired appliances, and the products of combustion of such fuels, contain chemicals known to the State of California to cause cancer, birth defects and other reproductive harm.
California Health & Safety Code Sec. 25249.6

General Information

This gas appliance should be installed by a qualified installer in accordance with local building codes and with current **CSA-B149.1** Installation codes for Gas Burning Appliances and Equipment.

FOR U.S.A Installations follow local codes and/or the current **National Fuel Gas Code. ANSI Z223.1/NFPA 54.**

In the Commonwealth of Massachusetts, all gas fittings and installation of this heater shall only be done by a licensed gas fitter or licensed plumber.

FOR SAFE INSTALLATION AND OPERATION PLEASE NOTE THE FOLLOWING:

1. This appliance gives off high temperatures and should be located out of high traffic areas and away from furniture.
2. Children and adults should be alerted to the hazards of the high surface temperatures of this appliance and should stay away to avoid burns or ignition of clothing.
3. Children should be carefully supervised when they are in the same room as your appliance.
4. Under no circumstances should this appliance be modified. Parts having to be removed for servicing should be replaced prior to operating this appliance again.
5. Installation and any repairs to this appliance should be carried out by a qualified service person. A professional service person should be contacted to inspect this appliance annually. Make it a practice to have all of your gas appliances checked annually. More frequent cleaning may be required due to excess lint and dust from carpeting, bedding material, etc.
6. Control compartments, burners and air passages in this appliance should be kept clean and free of dust and lint. Make sure that the gas valve and pilot light are turned off before you attempt to clean this unit.
7. Keep the area around your appliance clear of combustible materials, gasoline and other flammable vapor and liquids. This appliance should not be used as a drying rack for clothing, nor should Christmas stockings or decorations be hung in the area of it.
8. Under no circumstances should any solid fuels (wood, coal, paper or cardboard etc.) be used in this appliance.
9. The flow of combustion and ventilation air must not be obstructed in any way.
10. Whether the appliance is installed directly on carpeting, vinyl tile or any combustible material other than wood, this appliance must be installed on a metal or wood panel extending the full width and depth of the appliance.
11. This appliance requires adequate ventilation and combustion air to operate properly.
12. Do not use this appliance if any part has been under water. Immediately call a qualified service technician to inspect the appliance and to replace any part of the control system or gas control that has been under water.
13. Inspect the burner before each use of the appliance. The burner must be replaced prior to operation if there is evidence the burner is damaged. Use only burner specified by manufacturer.

LP-cylinder enclosures, if provided by the consumer must conform to the design parameters as detailed below.

Enclosures for LP-Gas Supply Systems

Enclosures for LP-gas supply cylinders shall be ventilated by openings at the level of the cylinder valve and at floor level. The effectiveness of the opening(s) for purposes of ventilation shall be determined with the LP-gas supply cylinder(s) in place. This shall be accomplished by one of the following:

- a. One side of the enclosure shall be completely open; or
- b. For an enclosure having four sides, a top and a bottom:
 1. At least two ventilation openings at cylinder valve level shall be provided in the side wall, equally sized, spaced at 180 degrees (3.14rad), and unobstructed. Each opening shall have a total free area of not less than 1/2 square inch per pound (3.2 sq. cm/kg) of stored fuel capacity and not less than a total free area of 10 square inches (64.5 sq. cm).
 2. Ventilation opening(s) shall be provided at floor level and shall have a total free area of not less than 1/2 square inch per pound (3.2 sq. cm/kg) of stored fuel capacity and not less than a total free area of 10 square inches (64.5 sq. cm). If ventilation openings at floor level are in a side wall, there shall be at least two openings. The bottom of the openings shall be at floor level and the upper edge no more than 5 inches (127 mm) above the floor. The openings shall be equally sized, spaced at 180 degrees (3.14 rad) and unobstructed.
 3. Every opening shall have minimum dimensions so as to permit the entrance of a 1/8 inch (3.2 mm) diameter rod.

Cylinder valves shall be readily accessible for hand operation. A door on the enclosure to gain access to the cylinder valves is acceptable, provided it is non-locking and can be opened without the use of tools.

There shall be a minimum clearance of 2 inches (51 mm) between the lower surface of the floor of the LP-gas supply cylinder enclosure and the ground.

The design of the appliance shall be such that (1) the LP-gas supply cylinder(s) can be connected, disconnected and the connections inspected and tested outside the cylinder enclosure; and (2) those connections which could be disturbed when installing the cylinder(s) in the enclosure can be leak tested inside the enclosure.

Description

The ODGR Series are radiant fireplaces. Do not burn wood or other materials in these appliances. Each model is available with standing pilot for use with Natural or Propane gas units. Report to your dealer any parts damaged in shipment.

Adequate combustion and ventilation air must be provided. The flow of combustion and ventilation air **MUST NOT** be obstructed.

Provide adequate clearances around the air opening into the combustion chamber; and adequate accessibility clearance for servicing and proper operation. **NEVER** obstruct the front opening of the appliance.

This fireplace is not designed to be water tight. Therefore, when installing this unit against an exterior wall, the wall must be finished before setting unit in place.

Fireplace Dimensions

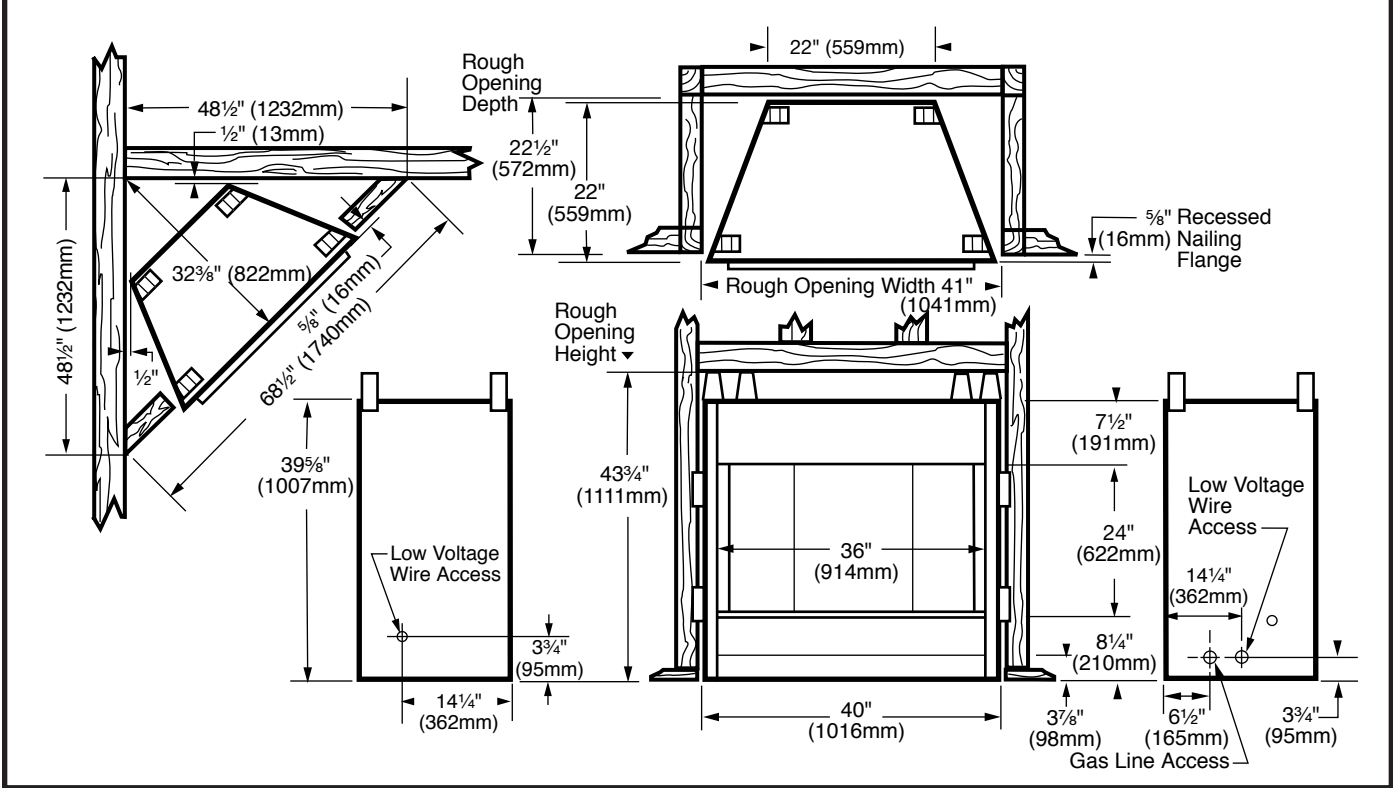


Fig. 1 ODGR400 specification and framing dimensions.

Fireplace Dimensions

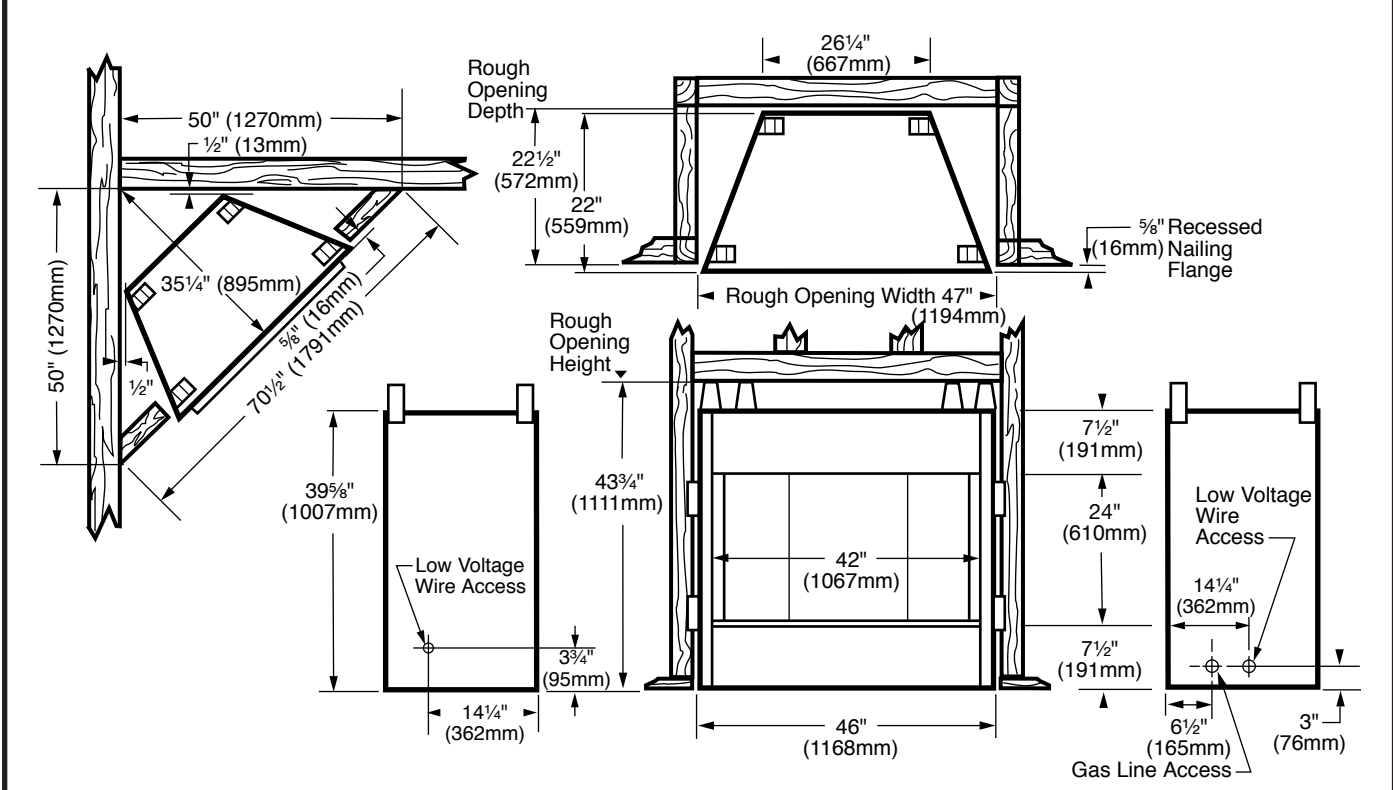


Fig. 2 ODGR500 specification and framing dimensions.

Moisture Resistance

This outdoor fireplace will shed moderate amounts of water, but is not waterproof. Water and condensing water vapor may enter the chase under certain conditions.

The fireplace will not perform as an exterior wall. Moisture penetration must be considered for construction that places the fireplace in structure walls or on moisture sensitive surfaces.

When installed on exterior walls: MHSC recommends the fireplace chase be constructed outside the structure's weather envelope. Where the platform meets the wall, use a flashing detail similar to that required for attached decks. Chase platforms, including hearths should slope away from the structure at 1/4 in per foot. The fireplace can be shimmed level.

When installed on surfaces where water may collect or cause damage: MHSC recommends a slope of 1/8 in to 1/4 in per foot towards the drain port suggested. The fireplace can be shimmed level.

Hearths should slope away from the front of the fireplace and chase at 1/8 in to 1/4 in per foot. Metal safety strips must be on top of any combustible hearth materials used for moisture management.

Screened Porch Installation

The ODGR may be installed safely and is design certified by CSA to be installed in a screened porch with these guidelines:

- Minimum porch area96 sq. feet (9 sq m)
- Minimum ceiling height 92" (234 cm)
- Minimum of two (2) walls must be screened
- Minimum top of screen height, side walls6'6" (198 cm)
- Minimum screen area 64 sq. feet (6 sq m)

Clearance to Combustibles

Appliances

- Top0" (0 mm)
- Bottom.....0" (0 mm)
- Side.....0" (0 mm)
- Back.....0" (0 mm)
- Perpendicular Sidewall0" (0 mm)
- Top of unit to ceiling36" (914 mm)
- Front of unit to combustibles.....36" (914 mm)

Mantels



WARNING: A 4" hood must be used if a mantel is to be installed.

The height that a combustible mantel is fitted above the fireplace is dependent on the depth of the mantel. This also applies to the distance between the mantel leg (if fitted) and the fireplace.

For the correct mounting height and widths refer to Figures 3a and 3b

Noncombustible mantels and legs may be installed at any height and width around the appliance.



When using paint or lacquer to finish the mantel, such paint or lacquer must be heat resistant to prevent discoloration.

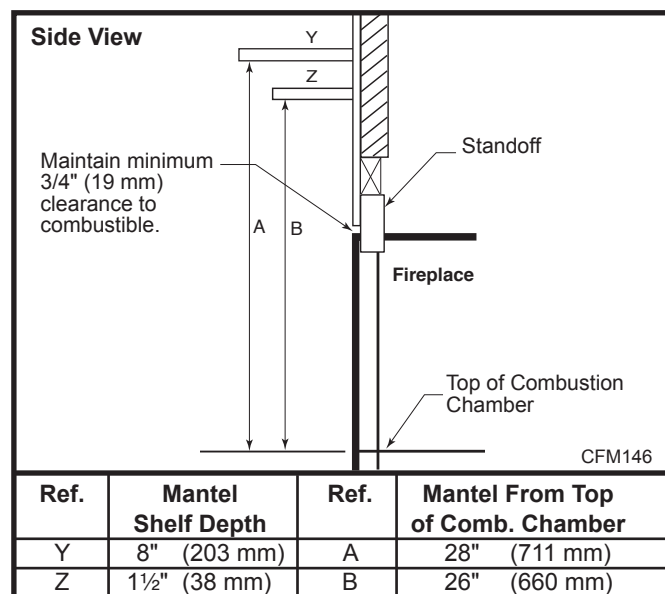


Fig. 3a Mantel clearances.

Hearth

A hearth is not mandatory but is recommended for aesthetic purposes. We recommend a noncombustible hearth.

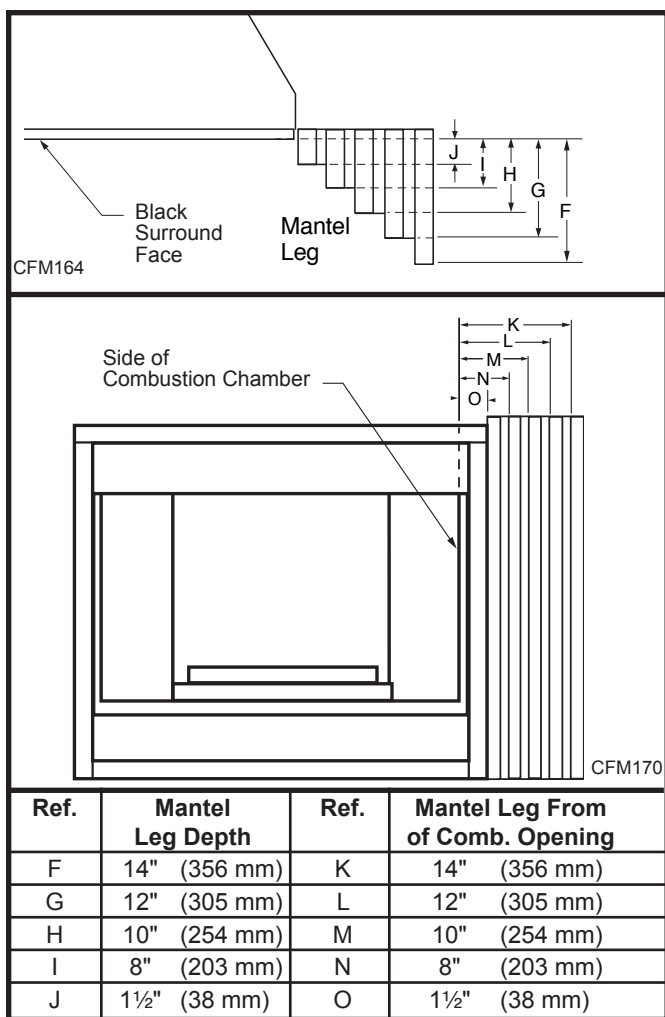


Fig. 3b Combustible mantel leg minimum installation.

Moisture Resistance

This outdoor fireplace will shed moderate amounts of water, but is not waterproof. Water and condensing water vapor may enter the chase under certain conditions. The fireplace will not perform as an exterior wall. Moisture penetration must be considered for construction that places the fireplace in structure walls or on moisture sensitive surfaces.

When installed on exterior walls: MHSC recommends the fireplace chase be constructed outside the structure's weather envelope. Where the platform meets the wall, use a flashing detail similar to that required for attached decks. Chase platforms, including hearths should slope away from the structure at 1/4 in per foot. The fireplace can be shimmed level.

When installed on surfaces where water may collect or cause damage: MHSC recommends a slope of 1/8 in to 1/4 in per foot towards the drain port suggested. The fireplace can be shimmed level.

Hearths should slope away from the front of the fireplace and chase at 1/8 in to 1/4 in per foot. Metal safety strips must be on top of any combustible hearth materials used for moisture management.

Framing and Finishing



Check appliance to make sure it is levelled and properly positioned.

The appliance should only be mounted on the following surfaces:

- A flat combustible (burnable) surface.
- A raised wooden platform.
- A concrete block or other solid object placed beneath each of the four corners of the appliance.

To mount the appliance:

1. Choose unit location.
2. Four (4) nailing flanges are supplied with the fireplace (found on the fireplace hearth). To level the box and secure it firmly in place, remove the nailing flanges from the hearth and install at the sides of the fireplace as shown in Figure 4.

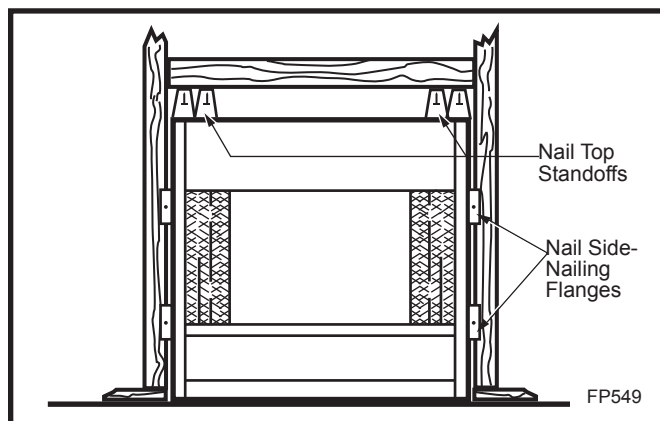


Fig. 4 Adjustable drywall strip (nailing flange).

Finishing



CAUTION: All joints between the finished wall and the appliance surround (top and sides) may be sealed only with non-combustible material. Only noncombustible material can be applied as facing to the appliance surround (the black painted face).

Finish the wall with the material of your choice. Refer to Figures 3a and 3b for specific clearances when installing a combustible mantel or other combustible projection.

Gas Specification

| Model | Fuel | Gas Control | Max. Input | Min. Input |
|-----------|-------|-----------------|------------|------------|
| ODGR400NV | Nat. | Millivolt Hi/Lo | 60,000 | 42,600 |
| ODGR400PV | Prop. | Millivolt Hi/Lo | 60,000 | 44,000 |
| ODGR500NV | Nat. | Millivolt Hi/Lo | 60,000 | 42,600 |
| ODGR500PV | Prop. | Millivolt Hi/Lo | 60,000 | 44,000 |

Gas Inlet & Manifold Pressures

| | Natural | LP |
|------------------------|------------|------------|
| Minimum Inlet Pressure | 5.5" w.c. | 11.0" w.c. |
| Maximum Inlet Pressure | 14.0" w.c. | 14.0" w.c. |
| Manifold Pressure | 3.5" w.c. | 10.0" w.c. |

ODGR400 / ODGR500

Certified to

CSA 4-96

High Elevations

Input ratings are shown in BTU per hour and are certified without deration from elevations up to 4,500 feet (1,370 m) above sea level.

Nuisance outages may occur at altitudes above 4,500 feet (1,370 m) if dirt, dust, lint and/or cobwebs are allowed to accumulate on burner and/or ODS pilot. Monthly inspection and cleaning is recommended for altitudes above 4,500 feet (1,370 m)

For elevations above 4,500 feet (1,370 m), installations must be in accordance with the current ANSI Z223.1/NFPA 54 and/or local codes having jurisdiction.

Valve Access

Valve access can be accomplished in one of two ways:

1. Remove the front panel just below the front of the hearth pan. This is accomplished by lifting on the panel. To replace the valve access panel line up the two pins with the holes in the surround bottom and push the panel over the front of the hearth pan. (Fig. 5)
2. Lift the brick with the logo on it. (Fig. 6)

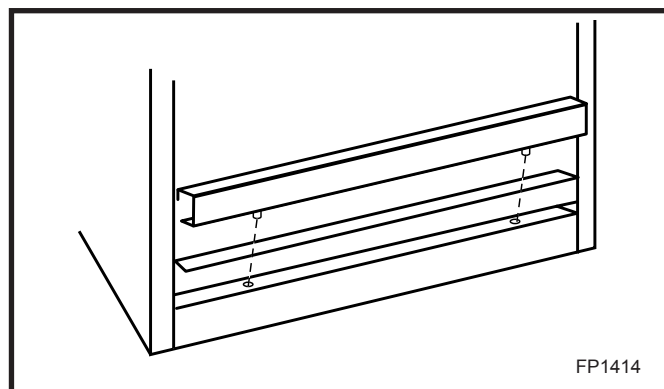


Fig. 5 Valve access.

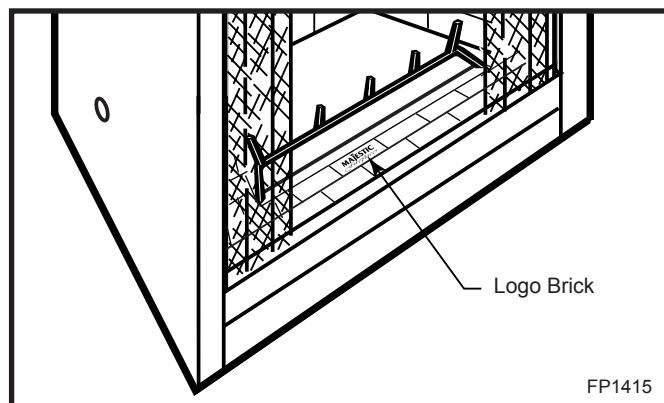


Fig. 6 Lift brick with logo on it to access valve.

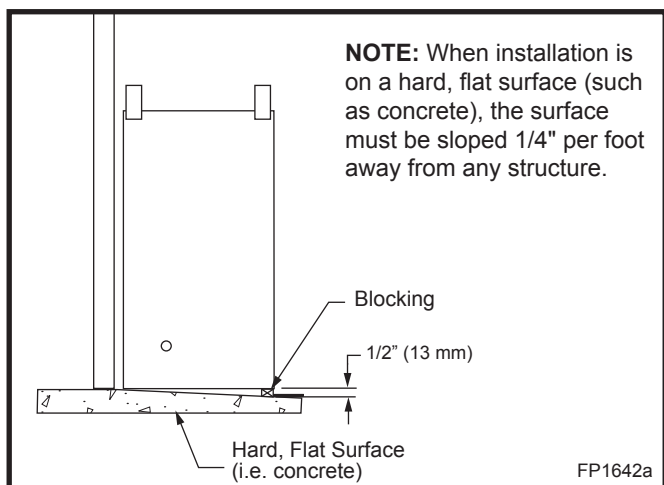


Fig. 7 Exterior chase installation.

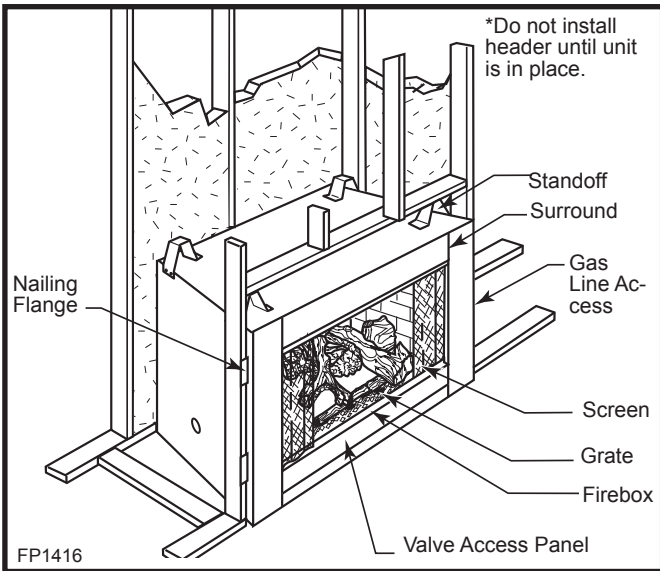


Fig. 8 Parts identification.

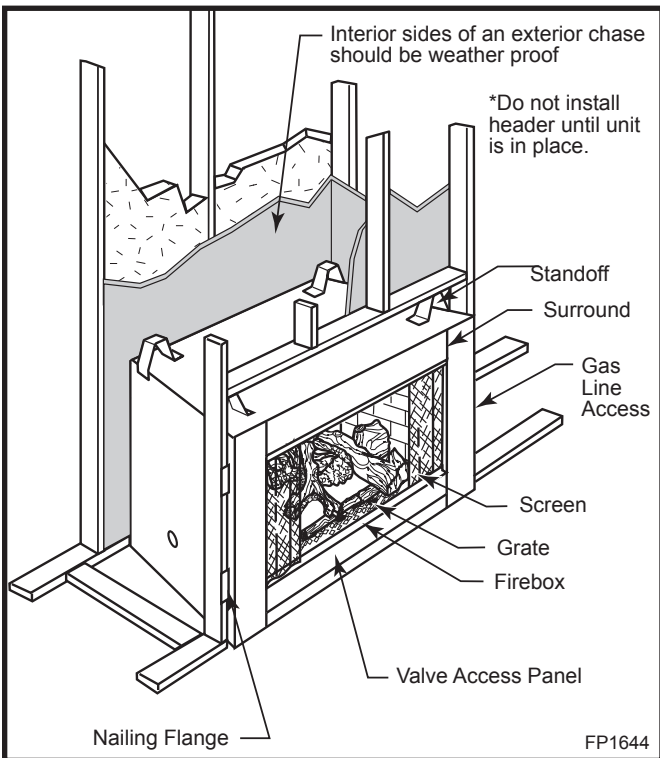


Fig. 9 Exterior chase installation.

Gas Line Installation

This appliance must be isolated from the gas supply piping system by closing its individual manual shut off valve during any pressure equal to or less than 1/2 psig (3.45 kPa).

The appliance and its individual shutoff valve must be disconnected from the gas supply piping system during any pressure testing of that system at test pressures in excess of 1/2 psig (3.45 kPa).

If gas piping from the source to the appliance location has not been accomplished, install the required pipe. Consult local plumbing code to assure proper pipe size.

The gas pipeline can be brought in through the right side of the appliance. A knockout is provided to allow for the gas pipe installation and testing of any gas connection.

NOTE: The gas line connection can be made with 3/8" copper tubing approved for propane or natural gas, 1/2" rigid pipe or an approved flex connector, then reduced to 3/8" to the appliance. Because some municipalities have some additional local codes, it is always best to consult your local authority.

U.S.: Consult the current National Fuel Gas Code, ANSI Z223.1/NFPA 54.

Canada: CSA - B149.1 installation code.

Test for leaks. Use a 50/50 solution of liquid soap and water to test for leaks at gas fittings and joints. Apply water/soap solution with brush only - do not over apply. **NEVER** test with an open flame.

The gas control is equipped with a captured screw type pressure test point, therefore it is not necessary to provide a 1/8" test point up stream of the control.

When using copper or flex connector use only approved fittings. **Always provide a union** so that gas line can be easily disconnected for burner or fan servicing.

See gas specification for pressure details and ratings.

NOTE: If flex connector is used, it must be kept inside of the appliance. (Fig. 10)

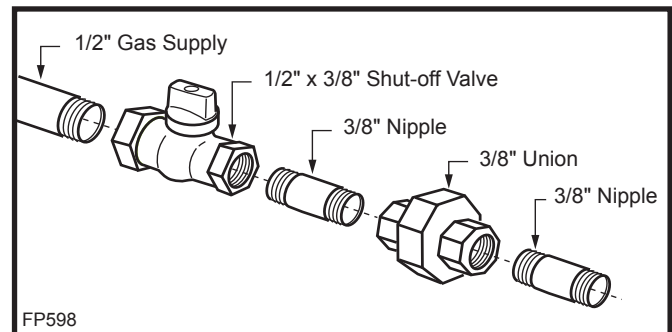


Fig. 10 Typical gas supply installation.

Remote Wall Switch

NOTE: Use an approved outdoor switch.

1. Thread wire through the low voltage wire access hole located on either side of unit. Do not cut wire or insulation on metal edges. Ensure that wire is protected. Run the other end to a conveniently located wall receptacle box.
2. Attach wire to switch and install switch into receptacle box. Attach cover plate to switch.
3. Connect wiring to gas valve. Refer to Figure 11.



CAUTION: Do not wire millivolt remote wall switch for gas appliance to a 120v power supply.

For lighting instructions, refer to Page 12.

NOTE: If glass doors are installed, the unit must be operated with the doors fully open. (Fig. 12) If the doors are not fully open, the thermodisk will automatically turn the unit off.



CAUTION: After the unit cools, the burner will automatically come on.

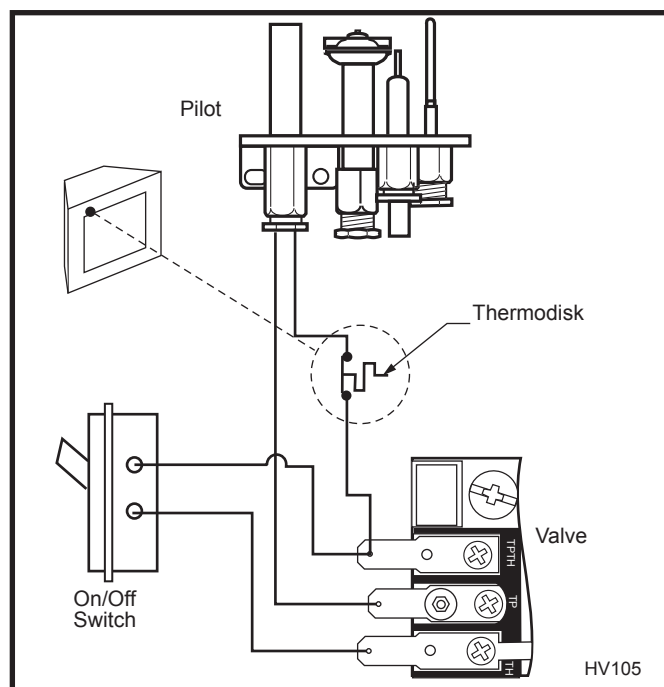


Fig. 11 Remote switch wiring.

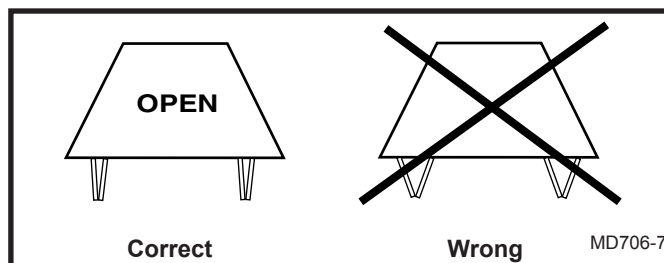


Fig. 12 Correct door position during operation.

Operating Instructions

Log Installation

1. Remove logs from the packaging.



As with all plastic, these bags are not toys and should always be kept away from children and infants.

2. Place left rear log on rear log support. Ensure that log is firmly positioned and there is no side-to-side movement. (Figs. 13 & 14)
3. Carefully place Ember Log between grate and burner. (Figs. 13 & 14)
4. Place the front of right rear log on the burner and the back of the log on the rear log support.
5. Place the top logs onto the locator notches. Ensure the logs are secure. (Fig. 13 & 14)

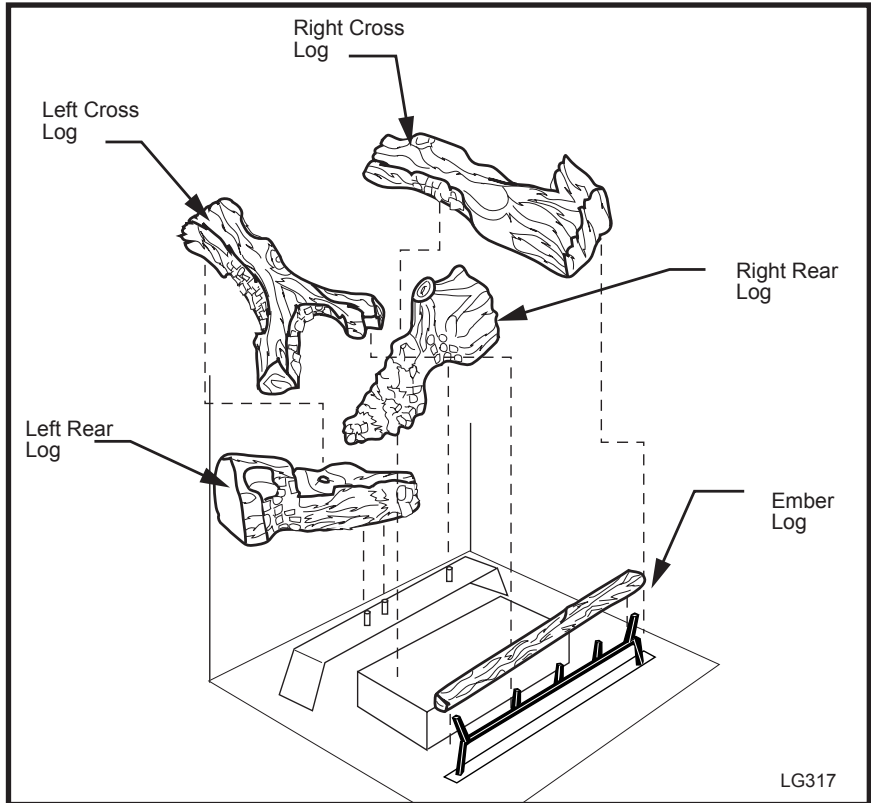


Fig. 13 ODGR400 log placement.

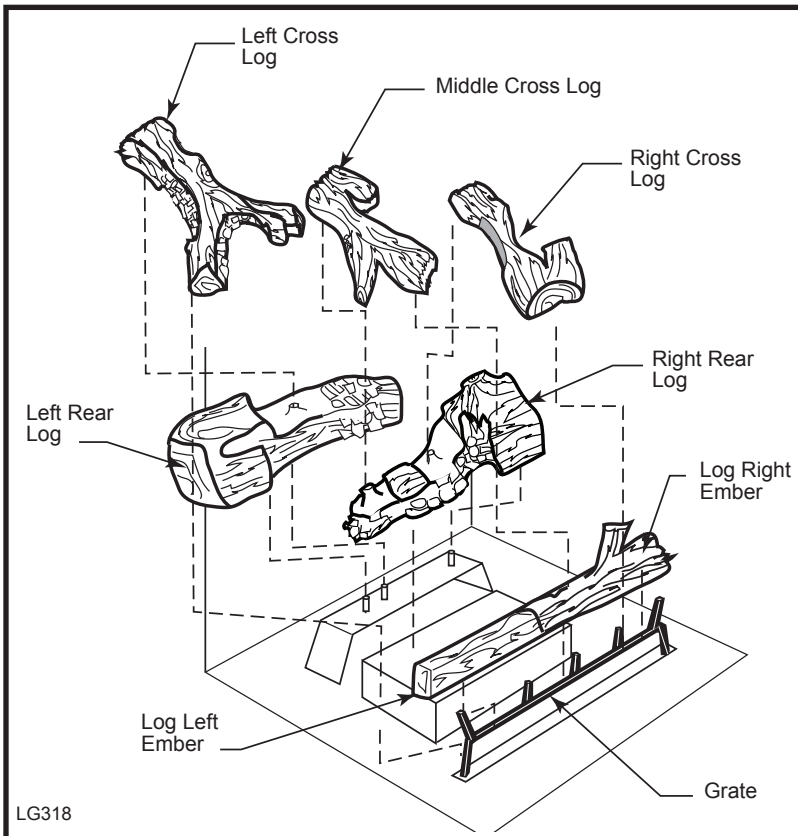


Fig. 14 ODGR500 log placement.

First Firing

Upon completing the gas line connection, a small amount of air will be trapped in the line. When first lighting the unit with pilot light, it will take a few minutes to purge the trapped air. Once purging is complete, the pilot and burner will light and operate as indicated in the instruction manual. Subsequent lightings of the appliance will not require purging.

When lit for the first time, the appliance will emit a slight odor for an hour or two. This is due to paint and lubricants used in the manufacturing process. After each lighting, vapor may condense and fog the glass; this moisture disappears in a few minutes of burning.

Flame Adjustment

For units equipped with Hi/Lo valves, flame adjustment is accomplished by rotating the Hi/Lo adjustment knob located near the center of the gas control.

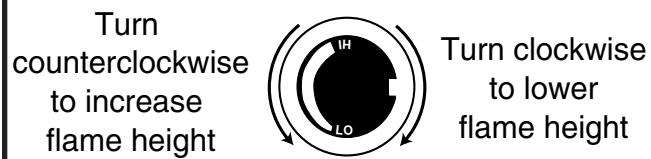


Fig. 15 Flame adjustment knob for SIT820 valve.

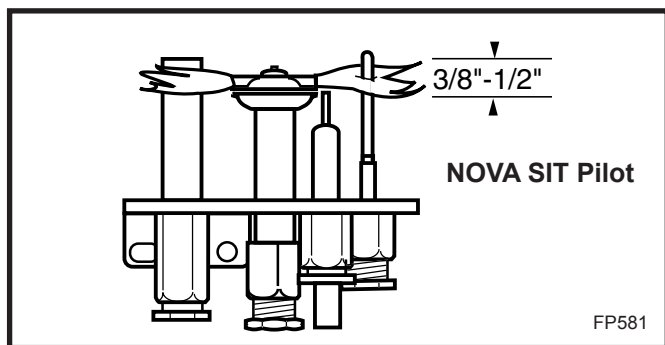


Fig. 16 Proper pilot flame height.

Flame Characteristics

It is important to periodically perform a visual check of the pilot and the burner flames. Compare them to the illustrations below (Figs. 16, 17, 18). If any of the flames appear abnormal call a service person.

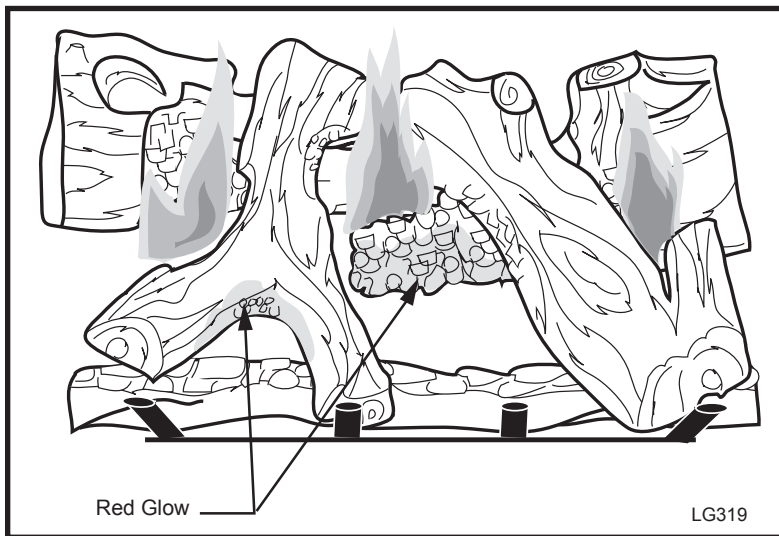


Fig. 17 ODGR400 flame appearance.

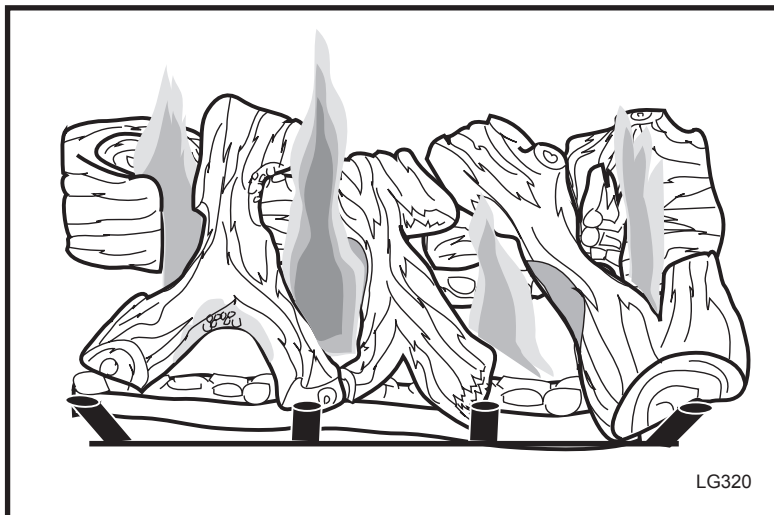


Fig. 18 ODGR500 flame appearance.

Optional Weather Enclosure

An optional weather enclosure is available to protect the burner when not in use.



CAUTION: Do not use the weather enclosure if the unit has glass doors installed.

Installation Instructions

1. Turn the unit OFF and allow to cool.
2. Grab the weather enclosure by the handle(s).
3. Slide the top of the weather enclosure up between the back of the surround top and the screen rail. (Fig. 19)
4. Push the bottom of the weather enclosure into the firebox just enough to clear the valve access cover and set down. (Fig. 20)

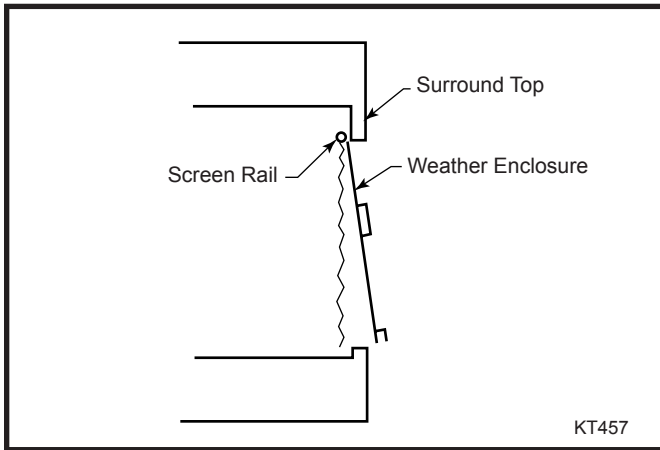


Fig. 19 Place top of weather enclosure between surround top and screen rail.

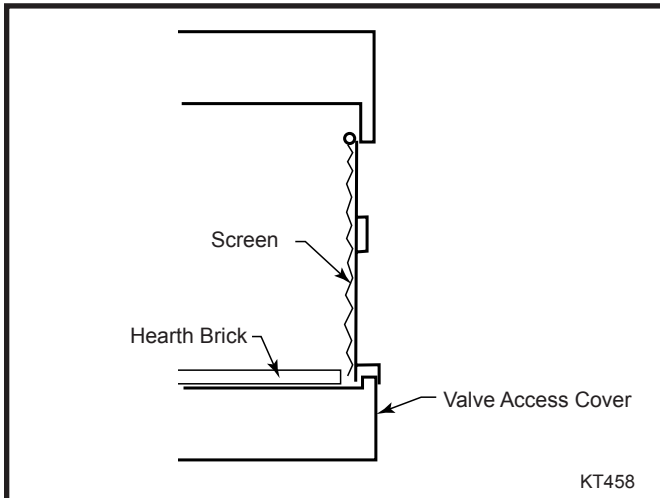


Fig. 20 Push bottom of weather enclosure into firebox.

Optional Stainless Steel Hood

An optional stainless steel hood is available for both the ODGR400 and ODGR500.



NOTE: The stainless steel hood may NOT be used when the optional glass doors are installed.

Installation Instructions:

1. Turn the unit off and allow to cool.
2. Place the hood so the 2 $\frac{5}{8}$ " (67 mm) slot clears the sensor plate located under the fireplace opening on the top left side. (Fig. 21)
3. Secure the hood to the unit using the three (3) slots in the hood and the pilot holes in the unit with the stainless steel sheet metal screws provided. (Fig. 21)
4. Align the sides of the hood so the pilot holes on the right and left sides of the unit are exposed through the slots on the ends of the hood. Secure using the remaining stainless steel sheet metal screws. (Fig. 21)

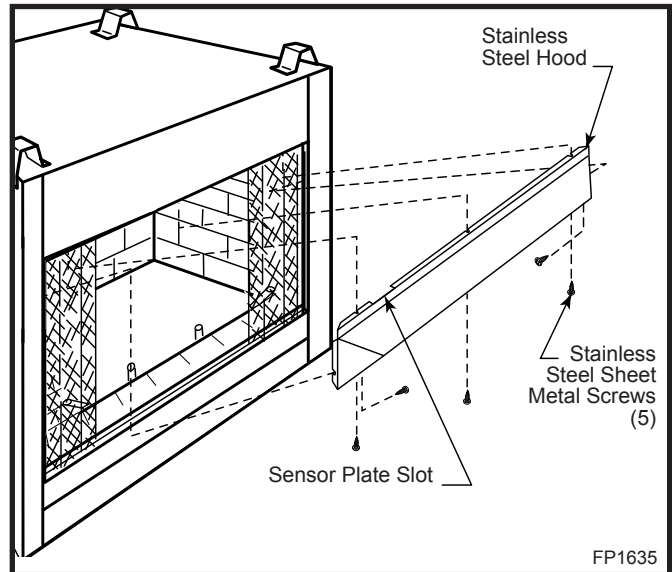


Fig. 21 Secure stainless steel hood with five (5) sheet metal screws.

Lighting and Operating Instructions

FOR YOUR SAFETY READ BEFORE LIGHTING

WARNING: If you do not follow these instructions exactly, a fire or explosion may result causing property damage, personal injury or loss of life.

- A. This heater has a pilot which must be lit manually. When lighting the pilot follow these instructions exactly.
- B. BEFORE LIGHTING smell all around the heater area for gas. Be sure to smell next to the floor because some gas is heavier than air and will settle on the floor.

WHAT TO DO IF YOU SMELL GAS


- Do not try to light any fireplace
- Do not touch any electric switch
- Do not use any phone in your building
- Immediately call your gas supplier from a neighbor's phone. Follow the gas supplier's instructions.

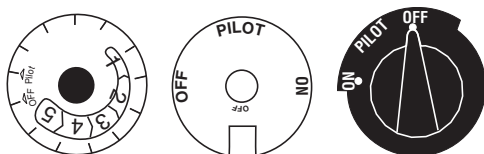
- If you cannot reach your gas supplier, call the Fire Department

- C. Use only your hand to push in or turn the gas control knob. Never use tools. If the knob will not push in or turn by hand, do not try to repair it, call a qualified service technician. Applying force or any attempted repair may result in a fire or explosion.


- D. Do not use this fireplace if any part has been under water. Immediately call a qualified service technician to inspect the heater and to replace any part of the control system and any gas control which has been under water.

Lighting Instructions

1. **STOP!** Read the safety information above.
2. Turn **OFF** all electrical power to the fireplace.
3. For MN/MP/TN/TP appliances ONLY, go on to Step 4. For RN/RP appliances turn the On/Off switch to "**OFF**" position or set thermostat to lowest level.
4. Open control access panel.
5. Push in gas control knob slightly and turn clockwise  to "**OFF**".

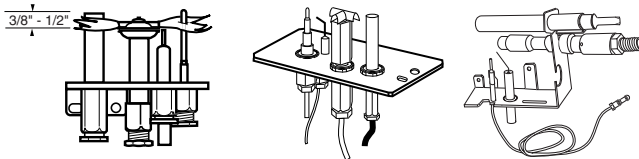


Euro SIT SIT NOVA Honeywell

6. Wait five (5) minutes to clear out any gas. Then smell for gas, including near the floor. If you smell gas, **STOP!** Follow "B" in the safety information above. If you do not smell gas, go to the next step.
7. Remove glass door before lighting pilot. (See Glass Frame Removal section).
8. Visibly locate pilot by the main burner.
9. Turn knob on gas control counterclockwise  to "**PILOT**".

10. Push the control knob all the way in and hold. Immediately light the pilot by repeatedly depressing the piezo spark ignitor until a flame appears. Continue to hold the control knob in for about one (1) minute after the pilot is lit. Release knob and it will pop back up. Pilot should remain lit. If it goes out, repeat steps 5 through 8.

- If knob does not pop up when released, stop




and immediately call your service technician or gas supplier.

- If after several tries, the pilot will not stay lit, turn the gas control knob to "**OFF**" and call your service technician or gas supplier.

11. Replace glass door.
12. Turn gas control knob to "**ON**" position.
13. For RN/RP appliances turn the On/Off switch to "**ON**" position or set thermostat to desired setting.
14. Turn on all electrical power to the fireplace.

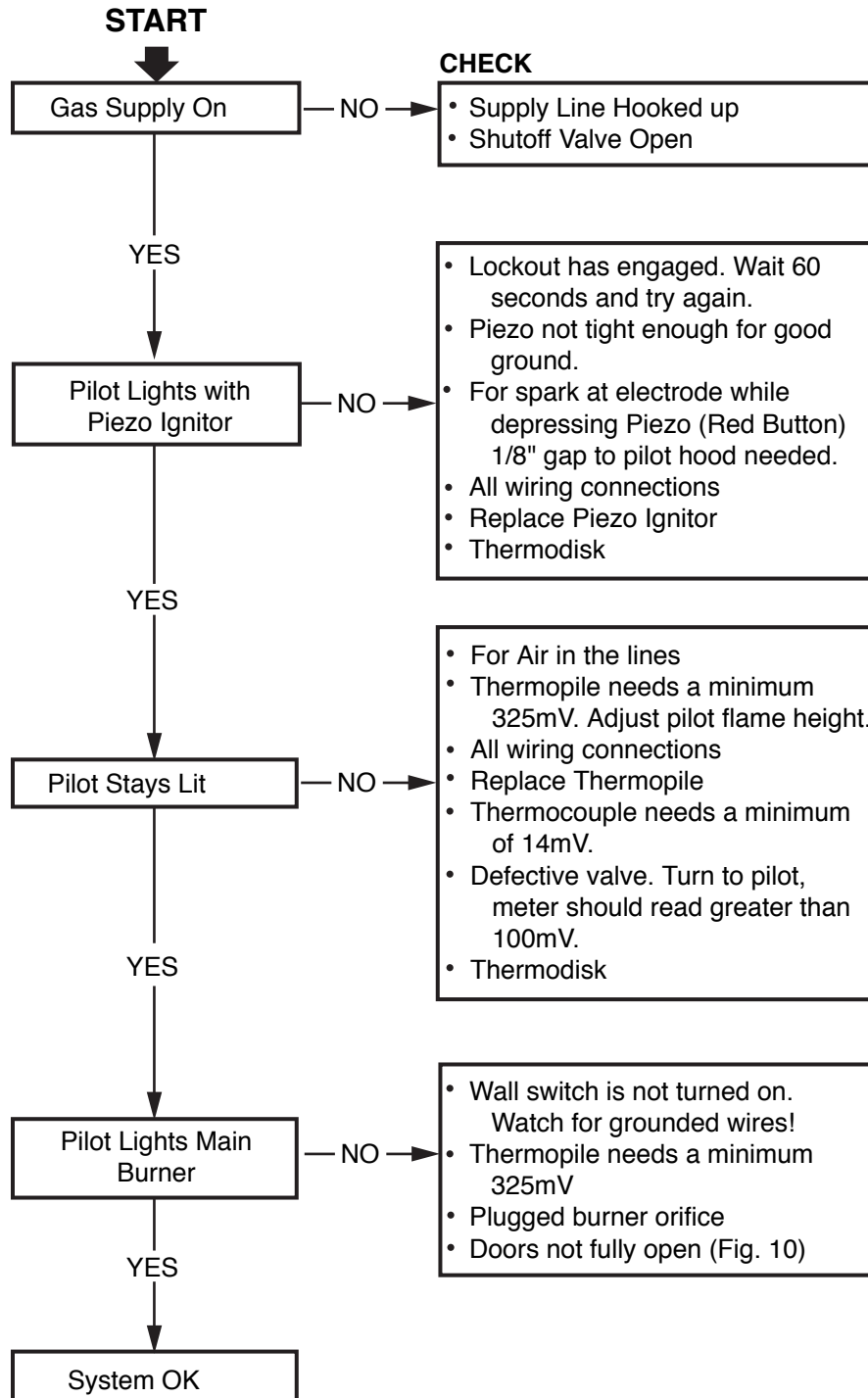
To Turn Off Gas to Heater

1. Turn the On/Off switch to "**OFF**" position or set the thermostat to lowest setting.
2. Turn off all electric power to the fireplace if service is to be performed.

3. Open control access panel.
4. Push in gas control knob slightly and turn clockwise  to "**OFF**". Do not force.
5. Close control access panel.

Troubleshooting

Nova SIT 820 Standing Pilot



Maintenance

Burner and Burner Compartment

It is important to keep the burner and the burner compartment clean. At least once per year the logs should be removed and the burner compartment vacuumed and wiped out. Remove and replace the logs as per the instructions in this manual.

Always handle the logs with care as they are fragile and may also be hot if the fireplace has been in use.

Cleaning

There are three methods of cleaning the polished stainless steel of your outdoor fireplace;

1. Warm, soapy water - to loosen any dirt film
2. Glass cleaner with ammonia
3. Stainless steel cleaner available at hardware stores

Regardless of which method is used, remember that anything with too much abrasive may dull the finish.

Cleaning the Standing Pilot Control System

The burner and control system consists of:

- main burner
- gas orifice
- pilot burner
- thermopile
- combination millivolt gas valve

Most of these components may require only an occasional checkup and cleaning and some may require adjustment. If repair is necessary, it should be performed by a qualified technician.

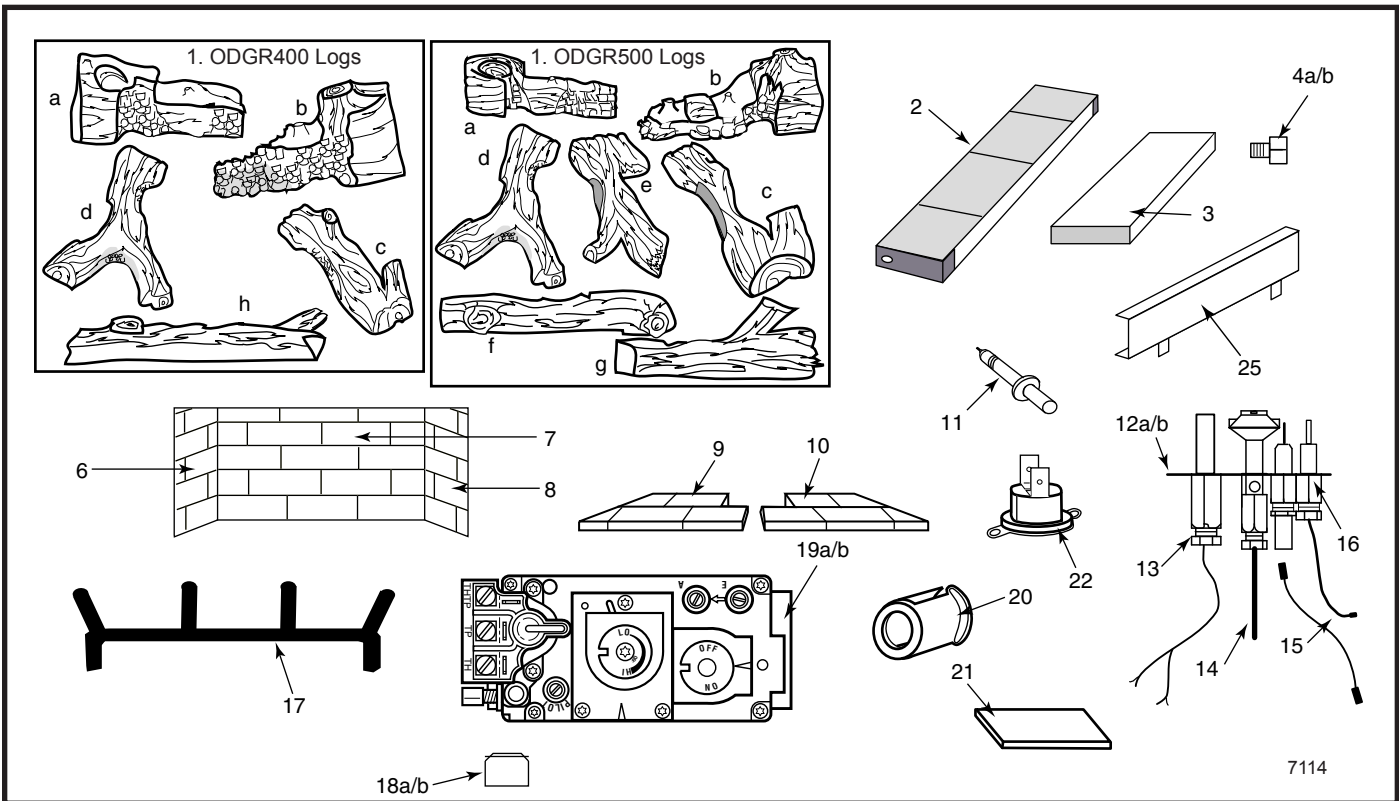
In order to properly clean the burner and pilot assembly, turn off the gas to the unit, remove logs exposing the burner and pilot assembly. Clean all foreign materials from the top of the burner. Check to make sure that burner parts are clean. Visually inspect pilot. Brush or blow away any dust or lint accumulation. If pilot orifice is plugged, disassembly may be required to remove any foreign material from the orifice or tubing.

To obtain proper operation, it is imperative that the pilot and burner's flame characteristics are steady, not lifting or floating.

Typically, the top 3/8" or 1/2" of the thermopile should be engulfed in the pilot flame. (Fig. 16)

To adjust pilot burner, turn pilot screw marked "pilot" for proper flame size.

The air shutter is set at factory no adjustment should be necessary.



MHSC reserves the right to make changes in design, materials, specifications, prices and discontinue colors and products at any time, without notice.

ODGR400, ODGR500

| Ref. | Description | ODGR400 | ODGR500 |
|------|--|---------------------|---------------------|
| 1. | Logs - Complete Set | 20007180 | 20007200 |
| 1a. | Log - Left Rear | 20007175 | 20007193 |
| 1b. | Log - Right Rear | 20007176 | 20007194 |
| 1c. | Log - Right Cross | 20007178 | 20007197 |
| 1d. | Log - Left Cross | 20007177 | 20007195 |
| 1e. | Log - Middle Cross | -- | 20007196 |
| 1f. | Log - Left Ember | -- | 20007198 |
| 1g. | Log - Right Ember | -- | 20007199 |
| 1h. | Front Ember Log | 20007179 | -- |
| 2. | Burner Housing Assembly | 20007119 | 20007187 |
| 3. | Ceramic Tile (single) | 57803 | 57803 |
| 4a. | Burner Orifice - Natural (Manifold & Orifice) | 20007106 | 20007106 |
| 4b. | Burner Orifice - LP (Manifold & Orifice) | 20007159 | 20007159 |
| 6. | Side Brick - Left* | 20002008 or 92D0004 | 20002021 or 92D0011 |
| 7. | Back Brick* | 20002006 or 92D0002 | 20002019 or 92D0005 |
| 8. | Side Brick - Right* | 20002007 or 92D0003 | 20002020 or 92D0006 |
| 9. | Left Hearth Brick* | 20007158 or 92D0008 | 20007241 or 92D0010 |
| 10. | Right Hearth Brick* | 20007157 or 92D0007 | 20007240 or 92D0009 |
| 11. | Piezo | 52464 | 52464 |
| 12a. | Pilot Top Convertible - Natural (3 Way Assembly) | 10002264 | 10002264 |
| 12b. | Pilot Top Convertible - LP (3 Way assembly) | 10002265 | 10002265 |
| 13. | Thermopile 18" | 7533113 | 7533113 |

ODGR400, ODGR500 (continued)

| Ref. | Description | ODGR400 | ODGR500 |
|------|------------------------------|---------------------|---------------------|
| 14. | Pilot Tubing | 10001296 | 10001296 |
| 15. | Cable Ignitor 24" | 7522432 | 7522432 |
| 16. | Thermocouple 24" | 7531137 | 7531137 |
| 17. | Grate | 20006819 | 20006819 |
| 18a. | Pilot Orifice - Natural | 10002268 | 10002268 |
| 18b. | Pilot Orifice - LP | 10002269 | 10002269 |
| 19a. | Valve NOVA - Natural | 7529141 | 7529141 |
| 19b. | Valve NOVA - LP | 7529142 | 7529142 |
| 20a. | Air Shutter - Natural | 20009120 | 20000129 |
| 21. | Hearth Brick Cover | 20007183 or 92D0016 | 20007183 OR 92D0016 |
| 22. | Thermodisk | 20007568 | 20007568 |
| 23. | Conversion Kit LP to Natural | 20008549 | 20008550 |
| 24. | Conversion Kit Natural to LP | 20008548 | 20008551 |
| 25. | Valve Access Panel Assy | 20009119 | 20008296 |

* When ordering replacement firebrick, check the serial number and plant code of the fireplace, located on the UL label inside the firebox. Serial numbers/plant code with a 'P' require the firebrick listed first under the respective fireplace (white brick). Serial numbers/plant code with an 'X' require the firebrick listed second under the respective fireplace (grey brick).

Contact MHSC for questions concerning prices and policies covering replacement parts. Parts may be ordered through your Monessen Fireplaces distributor or dealer.

You will need the following information when ordering replacement parts:

1. The appliance model number.
2. The serial number.
3. A description of the part.

Should you need additional information beyond what your dealer can furnish, contact:

MHSC
149 Cleveland Drive
Paris, KY 40361

Model and serial numbers are listed on the rating plate (located on right side of combustion chamber).

Record your model and serial numbers here for future reference:

Model # _____

Serial # _____

Accessories

The following accessories are available from your local Majestic Fireplaces distributor. Each accessory comes with a separate installation instruction for mounting to the particular firebox. Be sure to read each instruction thoroughly before installing.

| Accessory | Description | Model Number |
|-------------------------|---|--|
| 4" Stainless Steel Hood | For heater up to 40,000 BTU's and mantels 8" high by 12" wide | UV36SH4 UV42SH4 |
| Glass Doors | Designed to enhance the look of the fireplace | 36GDKSSSR 42GDKSSSR |
| Weather Enclosure | Designed to protect the burner when unit is not in use | ODG36WE ODG42WE |
| Drain Pan | Designed to be installed under unit to shed water by means of containing and piping way from structure | 20014194 (36" models) 20014195 (42" models) |

CAUTION: This firebox is a highly engineered system, and, as such, must be operated only with MHSC approved components. If you use an unapproved component to make any modifications, you may create a possible fire hazard and will void the MHSC warranty. In addition, such action may void the coverage provided by the owner's insurance.

LIMITED WARRANTY

Factory-Build Fireplace and Components (Except Blowers)

What is Covered and For How Long

Five-Year Coverage: For five years from the date this fireplace and components are first purchased for use, MHSC will, at its option, repair or replace any defective part of this fireplace or components, or refund to you a sum not to exceed the factory retail price in effect at the time of purchase.

Ten-Year Coverage: From the sixth through the tenth year following the date this fireplace or accessory is first purchased for use, MHSC will make available to you, at our factory, a free replacement for any defective part in this fireplace or accessory.

Twenty-Five-Year Availability of Replacement Parts: From the eleventh through the twenty-fifth year following the date this fireplace or accessory is first purchased for use, MHSC will make available at our factory replacement parts for this fireplace or accessory, which you may purchase for the list price current at the time your purchase order is received.

What is Not Covered

- This limited warranty does not cover:
- Transportation or shipping cost.
- The cost of a service call to diagnose trouble.
- Painted surfaces.
- Damage or defect caused by improper installation, accident, misuse, abuse or alteration.
- Poor ventilation of smoke or gases caused by air-conditioning and heating systems, exhaust fans, or pressure differentials produced by wind.
- Broken glass components.
- Cracks in ceramic and castable parts that do not affect safe operation.
- We do not warrant this fireplace to be in compliance with your local building code. Building codes vary greatly throughout the country, and you should determine whether your local building code contains restrictions on the use of this fireplace before you purchase it.
- Blowers or fans, which are warranted separately.
- Heat loss due to the passage of heat or air through or around the fireplace.

Also, under our five year coverage, we do not pay the cost of removal and replacement of any portion of the structure in which the fireplace is situated, made necessary by the repair, removal or re-installation of the fireplace.

And under our twenty-five year warranty of availability of replacement parts, we only promise to maintain a supply of replacement parts at our factory for you to purchase.

Limitations and Exclusions

1. No one has authority to add to or vary this limited warranty, or to create for MHSC any other obligations of liability in connection with this fireplace and accessory.
2. MHSC shall not be liable for incidental, consequential, special or contingent damages you might suffer as a result of its breach of this written warranty or any implied warranty. Some states do not allow the exclusion of limitation of incidental or consequential damages, so the above limitations may not apply to you.
3. This warranty applies only to a fireplace sold and used in the United States.

For information about this warranty, contact:

MHSC
149 Cleveland Drive
Paris, Kentucky 40361

**NATIONAL
FIREPLACE
INSTITUTE**



CERTIFIED
www.nficertified.org

We recommend that our gas hearth products be installed and serviced by professionals who are certified in the U.S. by the National Fireplace Institute® (NFI) as NFI Gas Specialists.

MHSC

149 Cleveland Drive • Paris, Kentucky 40361
www.mhsc.com