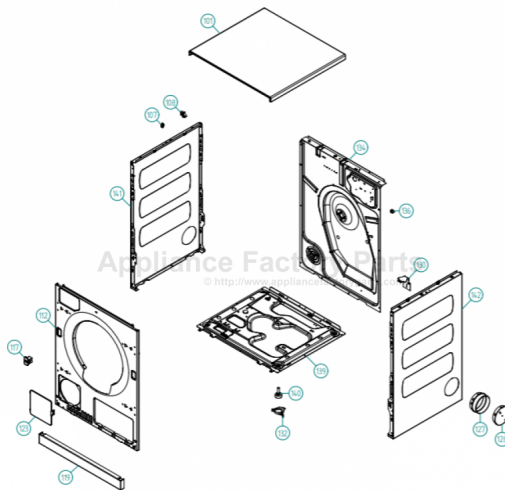


This Owner's Manual is provided and hosted by [Appliance Factory Parts](http://www.appliancefactoryparts.com).



ASKO T743 Owner's Manual

[Shop genuine replacement parts for ASKO T743](#)



[Find Your ASKO Dryer Parts - Select From 73 Models](#)

----- Manual continues below -----



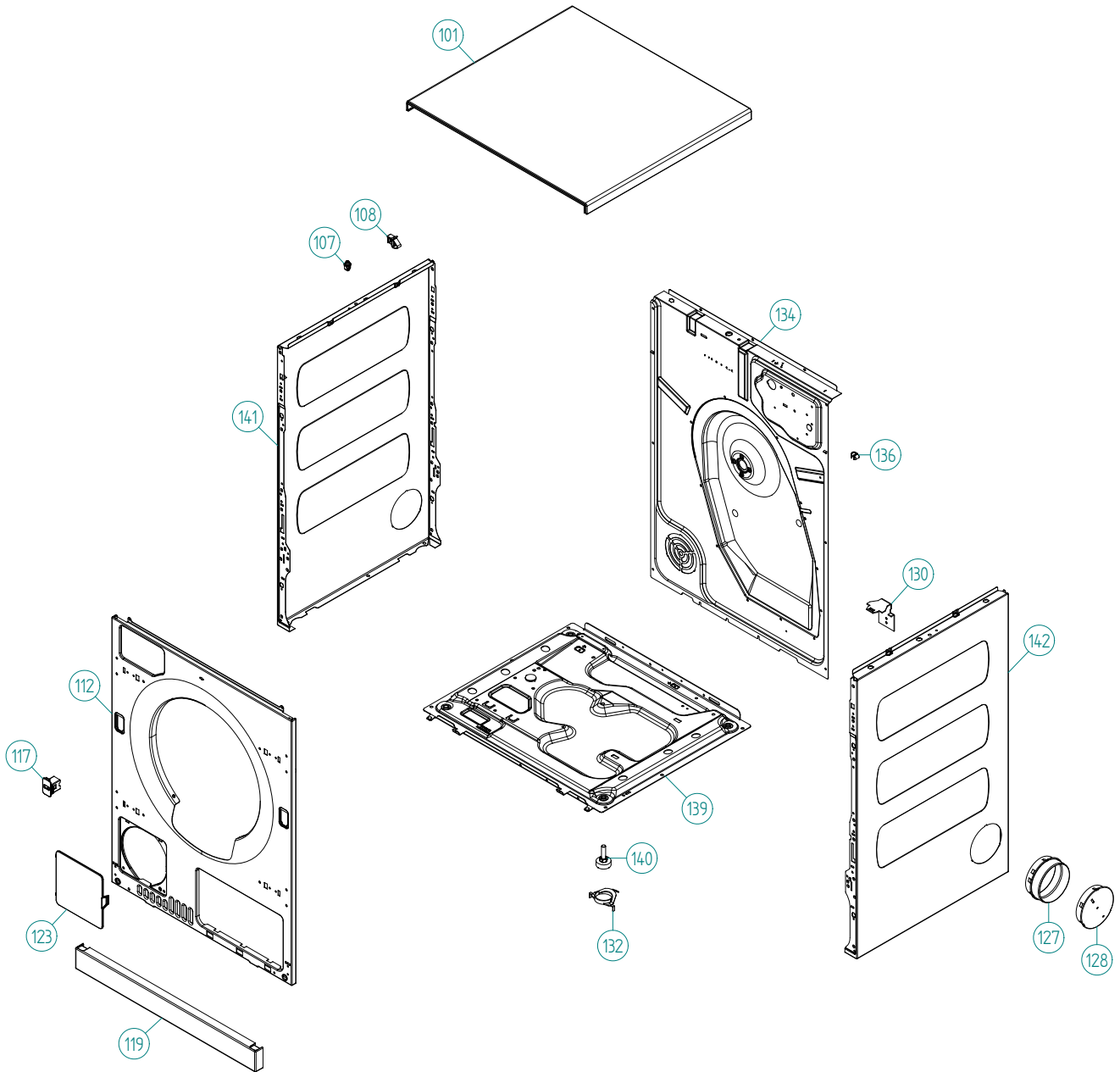
Spare Parts Catalogue

ASKO Tumble Dryers \ ASKO 700 Series
Type: TD60.1
Model: T743 US Titan

Prod. No: 10774306
March 14th 2012

ASKO Appliances Inc.

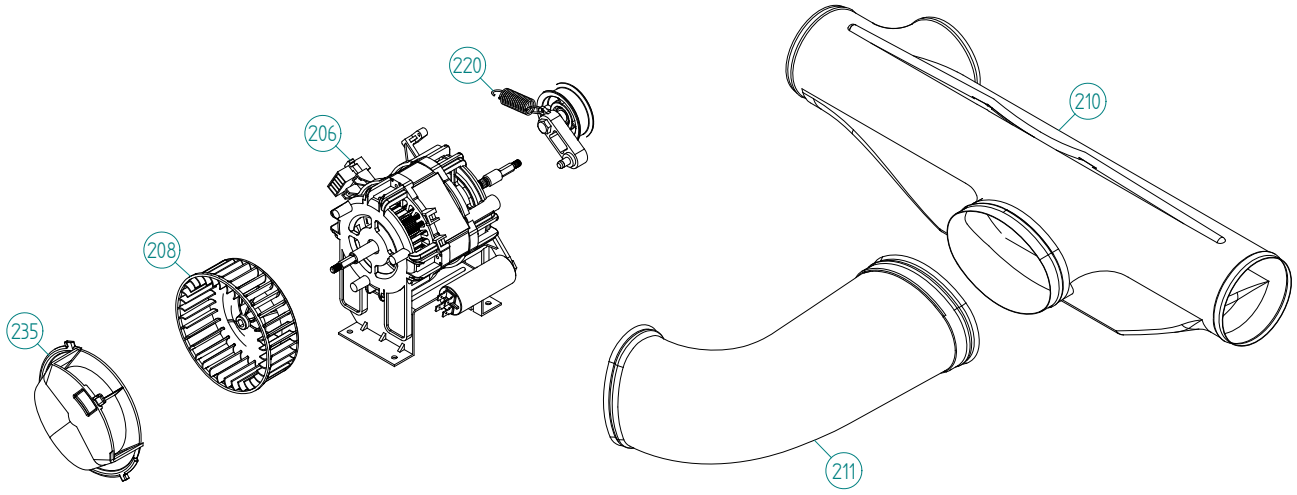
4001 E Plano Parkway #1004001 E Plano Parkway #100
Plano, Texas 75074



Outer Casing

ASKO, T743 US - Titan (TD60.1)

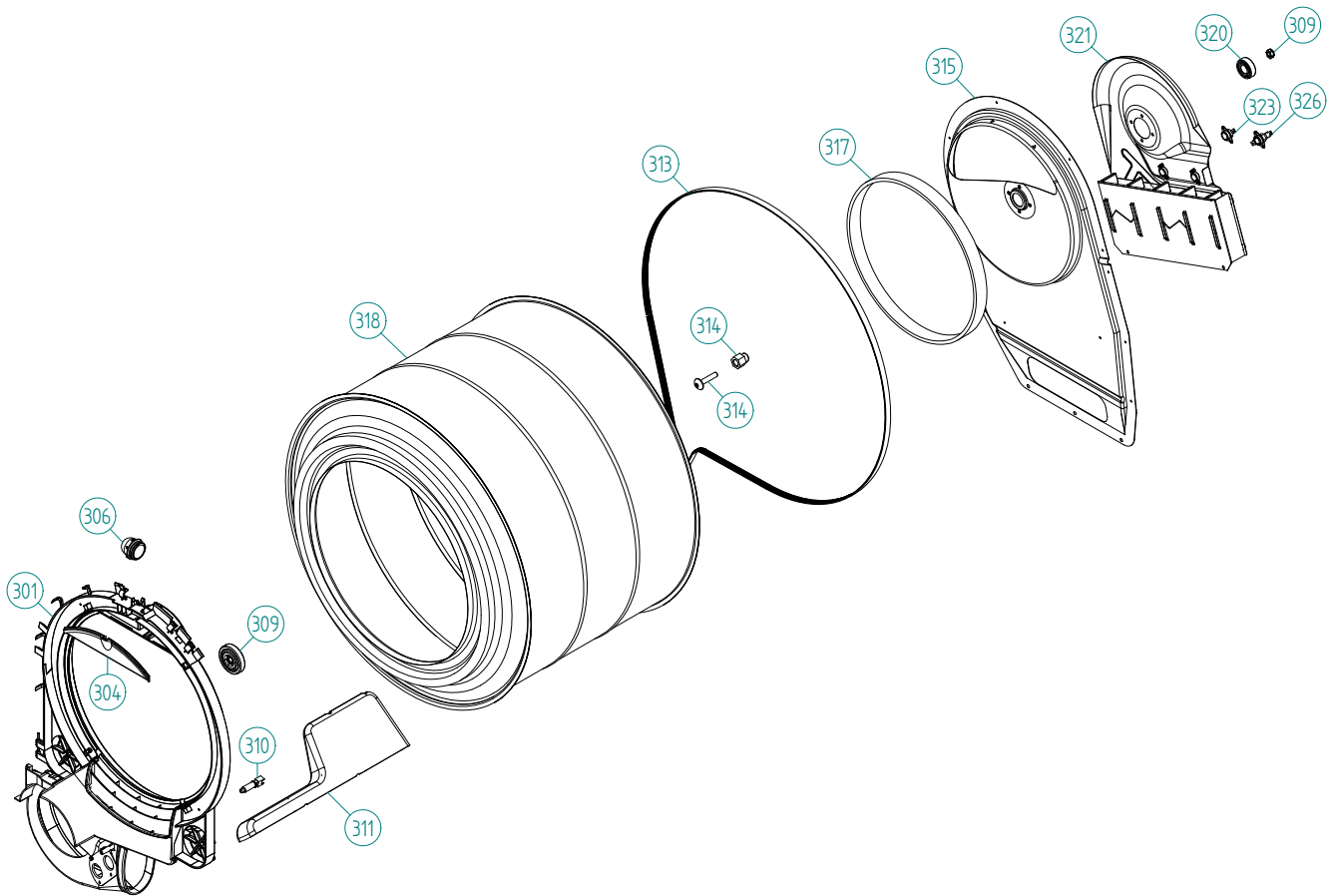
Pos	Spare part No.	Description	Qty	Comment
101	8061817-81	Top WM50 titanium	1 Pc's	
101-a	8902362	Screw 20 Torx Self Tapping	3 Pc's	
101-b	8901413	Lock Washer laundry tops	2 Pc's	
107	8061763	Clip Front Plate 600700s	2 Pc's	
108	8061916	CABLE HOLDER WMD20	2 Pc's	
112	8084382-81	FRONT PANEL TD60.1	1 Pc's	
112-a	8902362	Screw 20 Torx Self Tapping	2 Pc's	
112-b	8900327	Screw 20 Torx Self Tapping	4 Pc's	
117	8093526-81	LOCK PUSH/PUSH	1 Pc's	
119	8076080-81	PLINTH	1 Pc's	
123	8076075-81	COVER FOR FAN HOUSING	1 Pc's	
127	8052641	Collar Vent Exhaust TD	1 Pc's	
128	8052640-81-UL	Exhaust lid titanium	2 Pc's	
130	8053980	Stacking Bracket All TDs	2 Pc's	
132	8064114	Pair, Holders, TD Feet/Stacking	1 Pc's	
134	8076336	REAR PANEL OUTER rpl by 8076336-A	1 Pc's	
134-a	8902362	Screw 20 Torx Self Tapping	10 Pc's	
136	8083561	CABLE HOLDER TD	1 Pc's	
139	8061618	BASE PAN WMD20	1 Pc's	
140	8059334	Leveling Leg Comp WMD 20	4 Pc's	
141	8801175-81	Side left titanium TD30	1 Pc's	
142	8801176-81	Side Right TD30 titanium	1 Pc's	



Lower session

ASKO, T743 US - Titan (TD60.1)

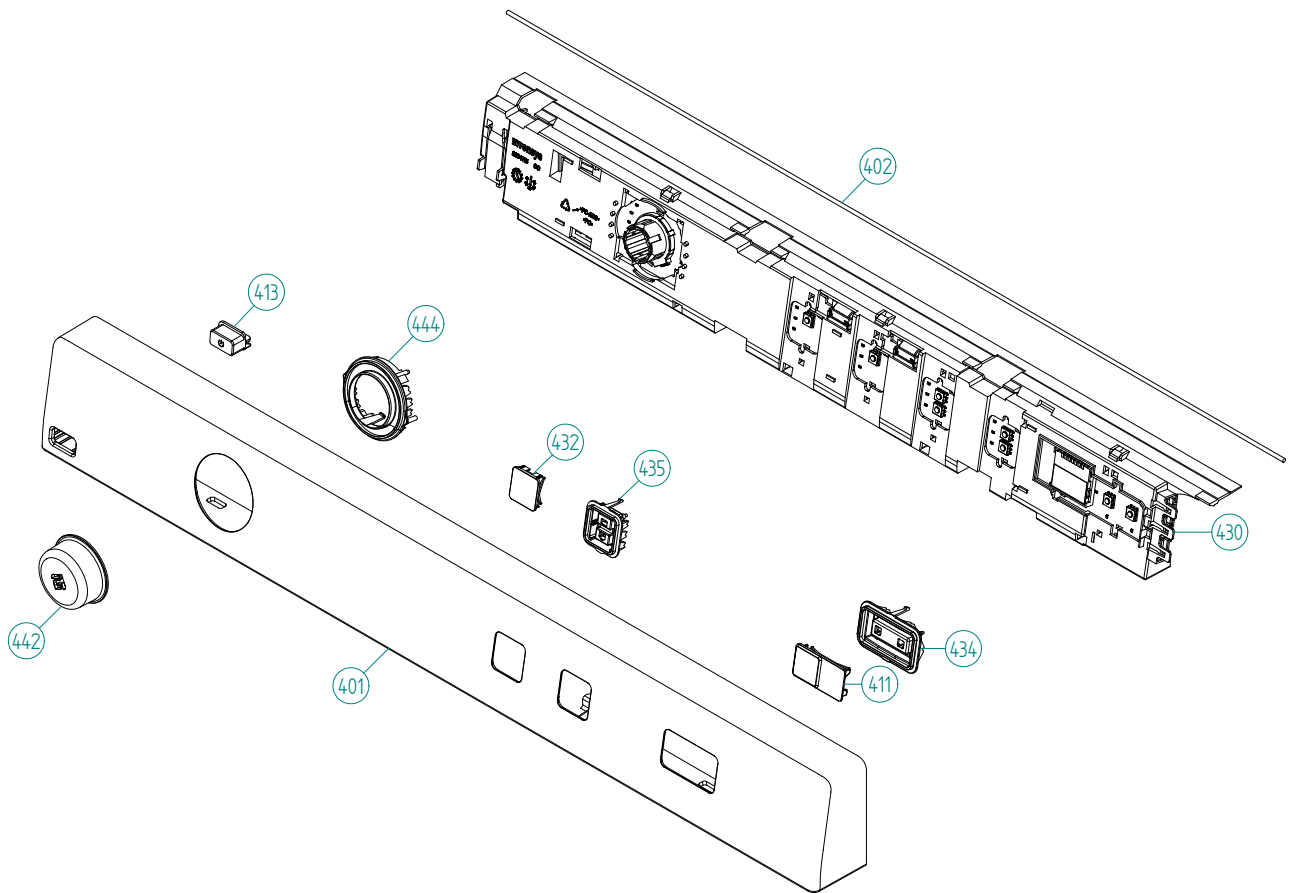
Pos	Spare part No.	Description	Qty	Comment
206	8061895	MOTOR COMPL. 60HZ TD20	1 Pc's	
206-a	8901969	SCREW MRT-TT 5x12 FZB T20	4 Pc's	
206-b	8080119	Capacitor 8UF 450V-Dryer Motor	1 Pc's	
206-c	8054640	CAPACITOR 4UF 400V	1 Pc's	For ACC motor
208	8065797	Fan Impeller 120MM	1 Pc's	
210	8052638	T-Tube w/o Recirc holes	1 Pc's	
211	8052639	Exhaust Canal Bend	1 Pc's	
220	8801490	Tension Wheel w/Belt & Spring	1 Pc's	
235	8077484-49	COVER FOR FAN HOUSING	1 Pc's	



Cylinder and related parts

ASKO, T743 US - Titan (TD60.1)

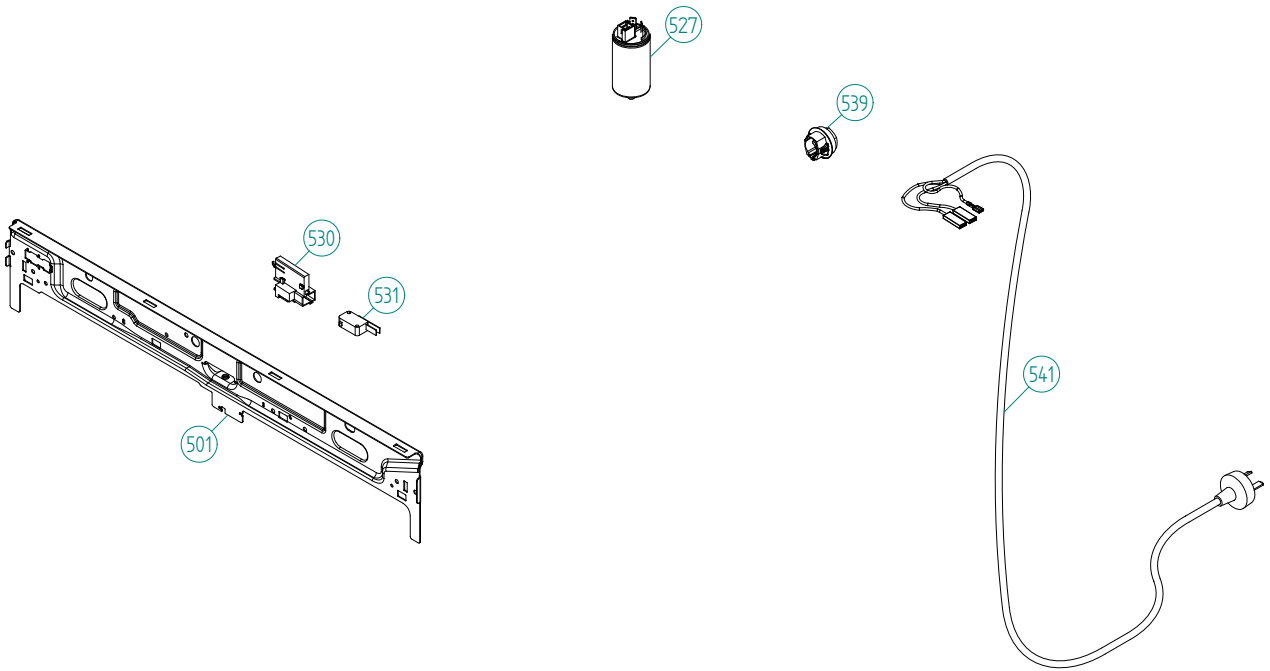
Pos	Spare part No.	Description	Qty	Comment
301	8801322	Front Frame Compl TD60	1 Pc's	
304	8061932-49	Lamp housing lid grey TD21	1 Pc's	
306	8061887	Lamp Chimney	1 Pc's	
309	8052622	Drum Roller Frt TD	2 Pc's	
309-a	8901337	Washer	2 Pc's	
309-b	8901193	Locking Nut	2 Pc's	
309-c	8901028	Screw	2 Pc's	
310	8083344	THERMISTOR TD	1 Pc's	
311	8052589-49	PADDLE TD	2 Pc's	
311-a	8902099	Screw	5 Pc's	
313	8088503	DRIVEBELT 7PH 1970 5D	1 Pc's	
313	8801490	Tension Arm w/Belt & Spring	1 Pc's	
314	8052632	Bushing Rear Drum 03/05 TD	1 Pc's	
314-a	8901130	SCREW A4-MVBF M8X40 7,9-8,0 HG	1 Pc's	
315	8076335	REAR PANEL INNER TD25	1 Pc's	
317	8083190	FELTSEALING REAR W. FOAM	1 Pc's	
318	8079449	CYLINDER COMPL TD	1 Pc's	
318	8079493	CYLINDER COMPL. TD	1 Pc's	
320	8004439	Bearing Dryer Rear Panel All	1 Pc's	
321	8076227	HEATING ELEMENT 3000W TD25	1 Pc's	
321-a	8900369	Screw T25	2 Pc's	
321-b	8901415	LOCK WASHER AZ 5.3 GALV	2 Pc's	
323	8079200	THERMOSTAT 135C TD	1 Pc's	
326	8079737	THERMOSTAT 150C UL	1 Pc's	



Control Panel

ASKO, T743 US - Titan (TD60.1)

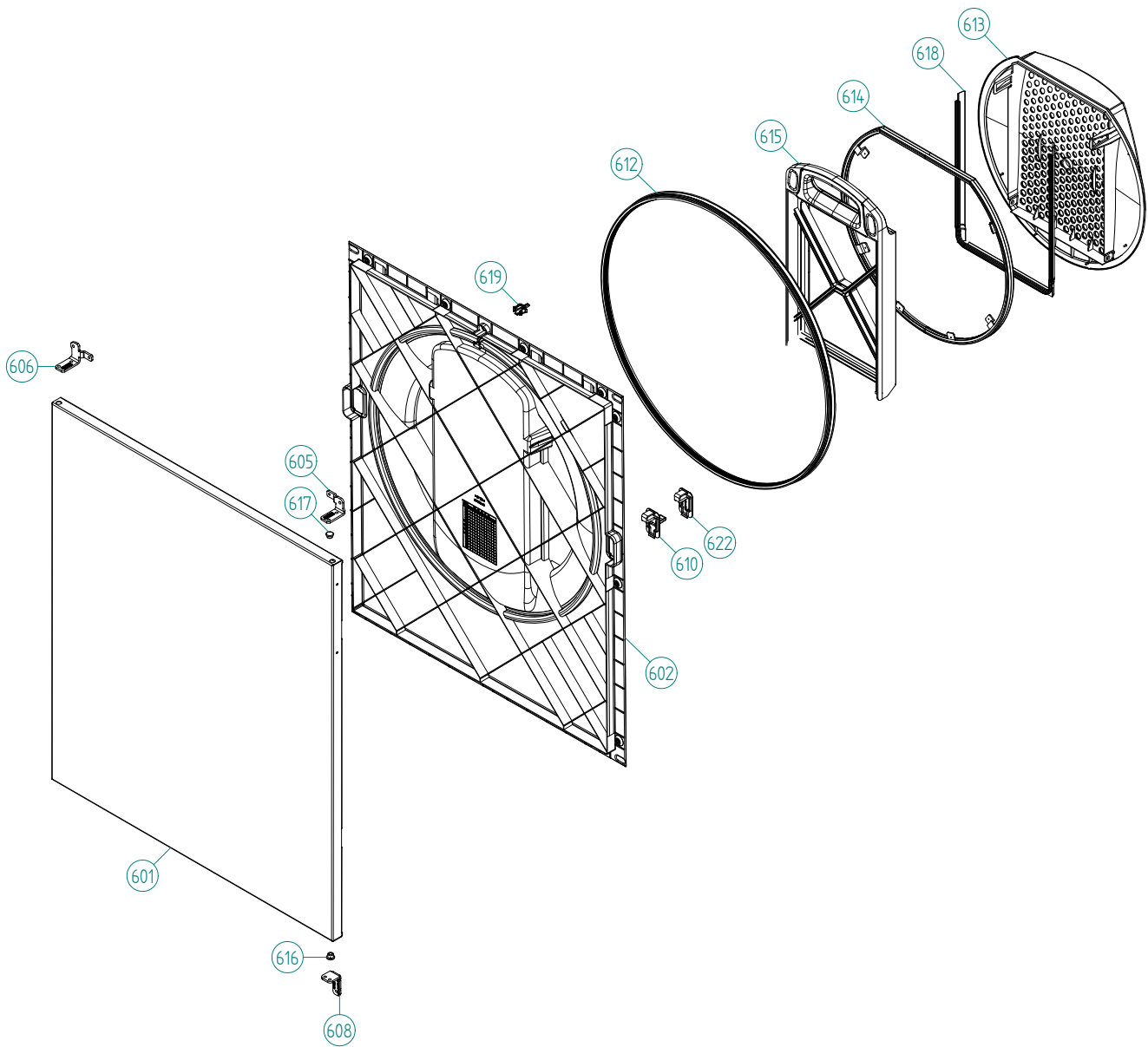
Pos	Spare part No.	Description	Qty	Comment
401	8089150-81-UL	PANEL ASKO T743 US	1 Pc's	
402	8079749	Rubber Seal-Cntrl Panel to Brd	1 Pc's	
411	8083800-81	PUSHBUT. START/STOP PRINTED TD	1 Pc's	
413	8081710-81	PUSHBU. MAINSWITCH WMD60.2 UL4	1 Pc's	
430	8081899	CONTROL UNIT TD60.1 A (BASIC)	1 Pc's	
432	8083233-81	PUSHBUTTON OPTION 1 WMD60.1	2 Pc's	
434	8083237	LENS START STOP WMD60.1	1 Pc's	
435	8083241	LENS OPTION WMD60.1	2 Pc's	
442	8801433-81	KNOB COMPL. WMD60.1 TITANIUM	1 Pc's	
444	8083482	LENS JOGDIAL WMD60.1	1 Pc's	



Upper session

ASKO, T743 US - Titan (TD60.1)

Pos	Spare part No.	Description	Qty	Comment
501	8076029	FRONTBEAM	1 Pc's	
501-a	8902362	Screw 20 Torx Self Tapping	2 Pc's	
501-b	8901413	Lock Washer laundry tops	2 Pc's	
527	8076202	EMC-FILTER WITH INDUCTOR	1 Pc's	
527-a	8901155	Nut	1 Pc's	
527-b	8901419	Lock Washer	1 Pc's	
529	8079842	CABLE SET MO TD UL4	1 Pc's	
529	8079845	CABLE SET Thermistor TD60	1 Pc's	
529	8083027	CABLE SET EL TD UL4	1 Pc's	
529	8082567	CABLE SET P TD UL4	1 Pc's	
529	8083019	CABLE SET LB TD UL4	1 Pc's	
530	8077519	BRACKET FOR DOOR SWITCH	1 Pc's	
531	8073836	MICROSWITCH DOOR	1 Pc's	
539	8006948	Grommet	1 Pc's	
541	8078989	CORD SET 16A EU 90C	1 Pc's	



Outer Door

ASKO, T743 US - Titan (TD60.1)

Pos	Spare part No.	Description	Qty	Comment
601	8076033-81	OUTER DOOR	1 Pc's	
601-a	8900352	Screw Access Panel 05/06	6 Pc's	
602	8076034-49	DOOR INNER PART	1 Pc's	
605	8077599-81	HINGE UPPER R	1 Pc's	
605-a	8900327	Screw 20 Torx Self Tapping	3 Pc's	
605-b	8901097	Screw Terminal	1 Pc's	
605-c	8061804	HINGE PIN	1 Pc's	
606	8079489-81	HINGE UPPER L	1 Pc's	
606-a	8900327	Screw 20 Torx Self Tapping	3 Pc's	
606-b	8901097	Screw Terminal	1 Pc's	
606-c	8061804	HINGE PIN	1 Pc's	
608	8076032-81	HINGE DOOR LOWER	1 Pc's	
608-a	8901097	Screw Terminal	2 Pc's	
608-b	8061804	HINGE PIN	1 Pc's	
610	8077485-49	LOCK CATCH	1 Pc's	
612	8077494	DOOR SEALING OUTER	1 Pc's	
613	8079750-49	Filter Holder Complete	1 Pc's	
614	8065274	Filter Bracket Seal TD	1 Pc's	
615	8077490-49	LINT FILTER COMPL.	1 Pc's	
616	8061865-81	Hinge Bearing 700 Series	2 Pc's	
617	8061953-81	door plug titanium	1 Pc's	
618	8079247	SEALING FILTER BRACKET INNER	1 Pc's	
619	8077488-49	DOOR PIN	1 Pc's	
622	8076079-49	COVER FOR LOCK/LOCK HOOK	1 Pc's	
622	8076079-81	COVER FOR LOCK/LOCK HOOK	1 Pc's	

CABLE POSITIONS

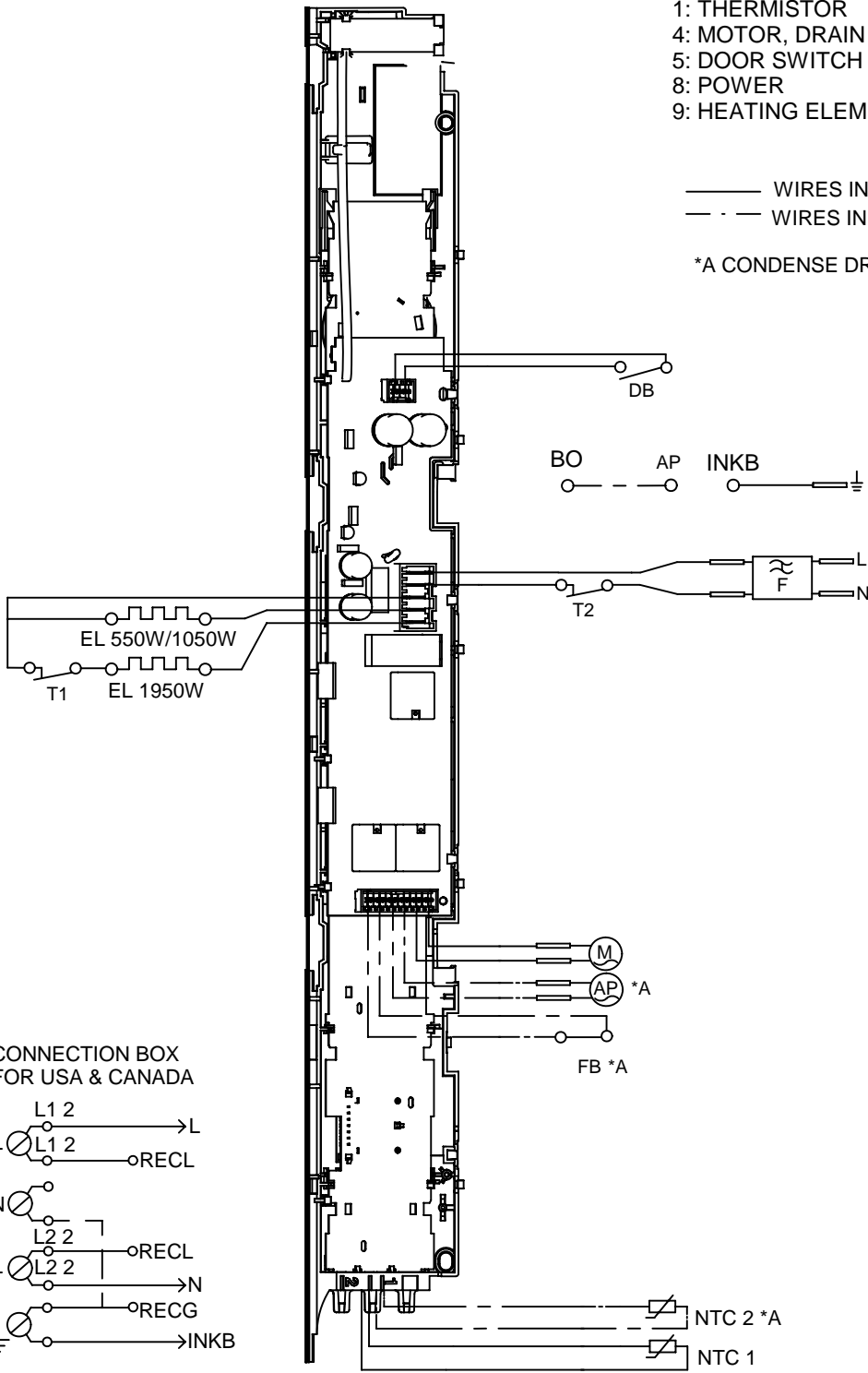
- 1: THERMISTOR
- 4: MOTOR, DRAIN PUMP, FLOAT SWITCH
- 5: DOOR SWITCH
- 8: POWER
- 9: HEATING ELEMENT

—— WIRES IN ALL MACHINES
 - - - WIRES IN SOME MACHINES

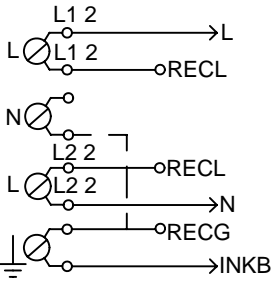
*A CONDENSE DRYER

RESISTA
 VALUES
 COMPON

 F: R
 NTC 1: T
 NTC 2: T
 AP: D
 EL: H
 EL: H
 EL: H
 MO: M
 T1: T
 T2: T
 FB: F
 DB: D



CONNECTION BOX FOR USA & CANADA



TOTAL RESET
 TURN OFF POWER (S1)
 WAIT FOR AT LEAST 30 SECONDS
 HOLD STOP (S11)
 TURN ON POWER (S1)

SERVICE MENU
 TURN OFF POWER (S1)
 WAIT FOR AT LEAST 30 SECONDS
 HOLD S10
 TURN ON POWER (S1)
 PRESS S10 5 TIMES TO ENTER SERVICE MENU

PRESS STOP (S11) TO EXIT SERVICE MENU
 ROTATE DIAL TO CHANGE SETTINGS
 PRESSING START (S1) WILL SAVE SETTINGS

CIRC

80