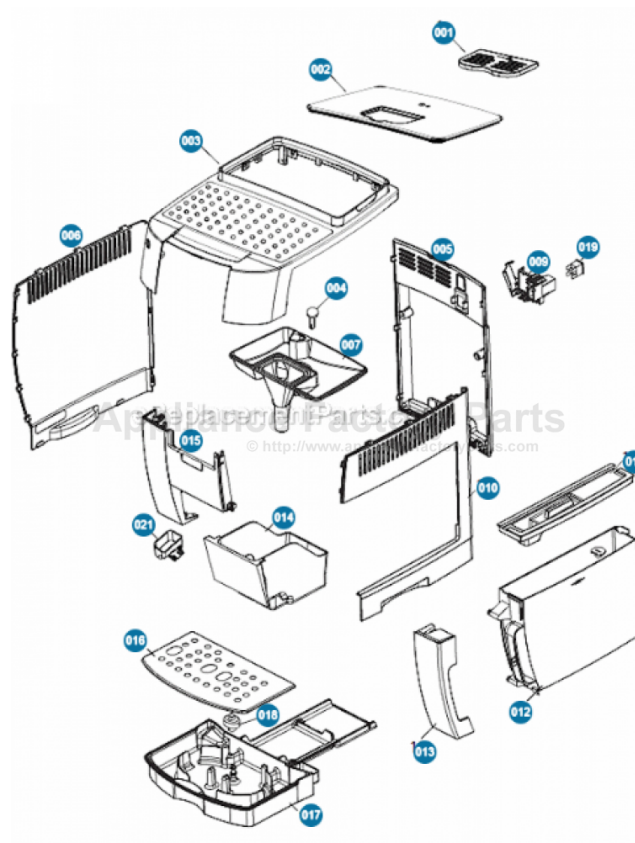


This Owner's Manual is provided and hosted by [Appliance Factory Parts](http://www.ApplianceFactoryParts.com).



DE'LONGHI ECAM22110SB Owner's Manual

[Shop genuine replacement parts for DE'LONGHI
ECAM22110SB](#)



[Find Your DE'LONGHI Coffee Maker Parts - Select From 292 Models](#)

----- Manual continues below part list -----

Available Replacement Parts for DELONGHI ECAM22110SB

5313217701	O ring
5332239200	Coupling connection
5332139600	Stopper
5332149100	O-ring
6132101300	Spring
9812631250	Screw
5313217751	O ring
5332117200	Pressing device
5513212881	Tube
5332169300	Removable steam nozzle only
5132104100	Microswitch
5232104600	Sensor
6013213181	Diffuser
5213225251	Water volume meter
5113211291	Pump
6113213191	Spring
5332224100	Grinder belt
5313222641	Float
5313225341	Tray
5513214851	Cover
6013211171	Cup plate
AS13200325	Coffee grounds container
7313219311	Frother
5332239300	Spacer
5313220031	O-ring
AS13200250	Water tank
5513227961	Generator
5113210211	Spring microswitch
5213213341	Sensor ntc
5313217601	Filter - internal (loc 84)

5313217741	O-ring
5313217871	Tube di=3 de=6 l=200
5313229491	Cover
5313236711	Tube
5513212871	Tube ptfе di2-de4 l=97 2bushes
5513212901	Tube ptfе di2-de4 l=290 2bushes
7313217271	Transmission kit motor
AS00005650	Grinder
AS00000604	Power board
5313213291	Cover
5313215321	Handle
5313217861	Tube di=3 de=5
5513229521	Tank
5313221031	Cover dust
5313243071	Belt
5332199500	Tube di=4 l=150
AS00006298	Trolley
7313251451	Infuser
7313226621	Cover assembly
5313228791	O-ring
5513270219	Tube
5313251441	Cover
5213216011	Board Display
5513222441	Steam Knob



www.delonghi.com

Instructions for use. Keep these instructions
Mode d'emploi. Conservez cette notice
Instrucciones para el uso. Repase y guarde
estas instrucciones. Lea cuidadosamente este
instructivo antes de usar su aparato

FULLY AUTOMATIC COFFEE CENTER MACHINE À CAFÈ AUTOMATIQUE CAFETERA SUPERAUTOMATICA ECAM22110

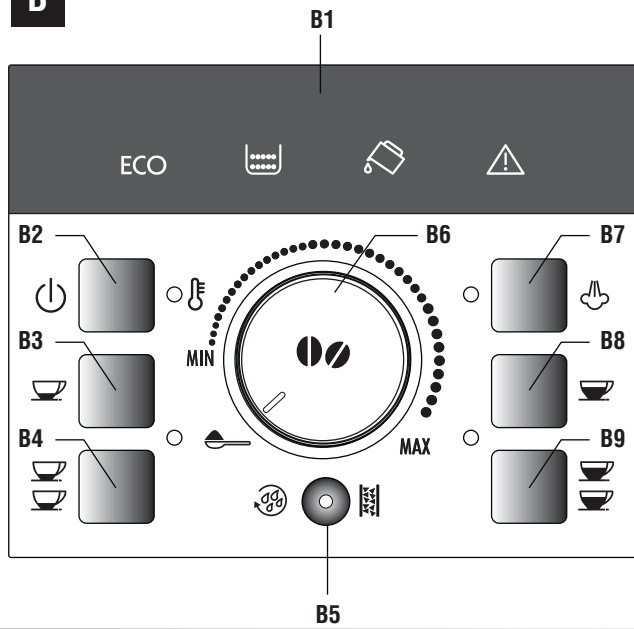
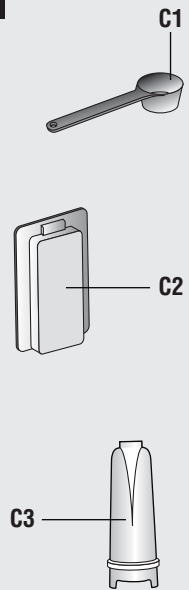


Visit www.delonghiregistration.com
to register your product
Visit www.delonghi.com for a list of
service centers near you.

Visite www.delonghiregistration.com para
registrar su producto en línea.
Visite www.delonghi.com para ver la lista
de centros de servicios cercanos a usted.

Visitez www.delonghiregistration.com
pour enregistrer votre produit en ligne.
Visitez www.delonghi.com pour y voir une liste
des centres de réparation proches de chez vous.

Electronic Characteristics: Caractéristiques électriques: Características electricas:
120V ~60 HZ 1250 W

B**C**

A

