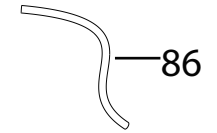
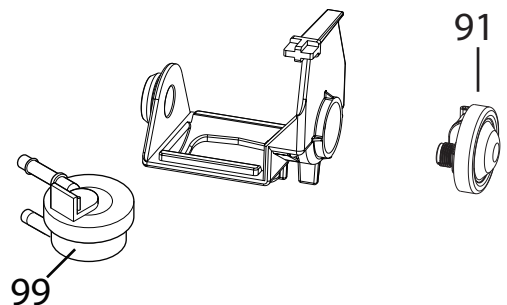
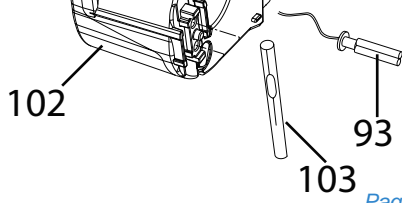
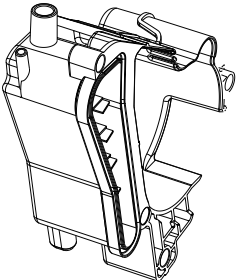
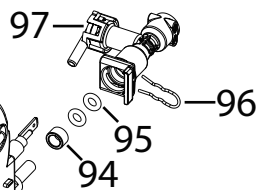
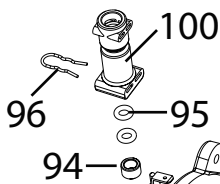
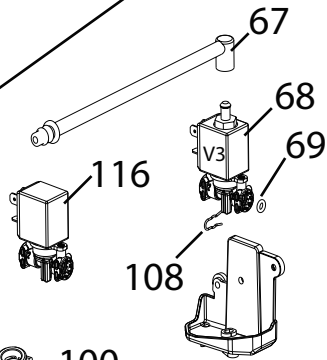
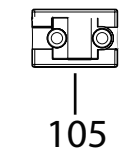
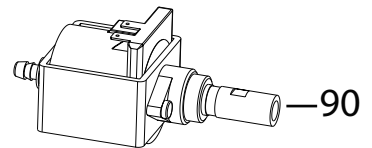
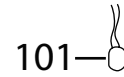
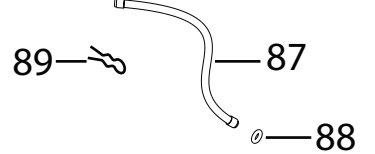


SERIE TUBI
TUBE SERIES



SERIE TUBI CON BOCCOLE
TUBE SERIES CON BOCCOLE



Position	Code	description
	5313256701	GENERATOR COVER
	5332224100	MOTOR BELT
	5513211891	SCRAPER BRUSH WITH BRISTLES
	6113210111	FIXING BRACKET (TCO)
	6113210121	SENSOR BRACKET
	IT0198 SEE TECNICAL INFORMATION IT0198	ADDITIONAL PARTS FOR CHASSIS . SEE TECNICAL INFORMATION IT0198
	IT0198_ SEE TECNICAL INFORMATION IT0198	ADDITIONAL PARTS FOR CHASSIS . SEE TECNICAL INFORMATION IT0198
	5313213451	COFFEE HOSE CLAMP
	5313219181	GRINDER BELLOW GASKET
	5313213911	COFFEE OUTLET TANK COVER
	IT1000	PORTABLE DIGITAL THERMOMETER (-50°C +150°C)
	SER0354	GREASE TUBE (5GR VERKOFOOD)
	5513297821	Milk Jug DLSC015
001	5313221031	GROUND COFFEE TANK COVER
002	5513214851	COFFEE BEANS COVER
003	7313240291	UPPER COVER
004	5913212611	GRIND REGULATION KNOB
005	5513222611	REAR PANEL
006	5513223931	RIGHT SIDE
007	5513229521	COFFEE BEANS TANK
008	5313223081	CUP HOLDER INSULATION
009	5313230851	KEY SUPPORT
010	5513219391	RIGHT SIDE
011	5313251441	COVER
012	7313254571	TANK
013	5313268241	FRONT PIECE
014	5313265361	COFFEE GROUNDS CONTAINER
015	5313215181	COFFEE GROUNDS CONTAINER FRONT
016	6013210511	CUP HOLDER
017	5313224831	CUP HOLDER TRAY
018	5313222641	FLOAT

019	5113210371	SWITCH (16A 125/250V)
020	5313245011	FRONT PIECE
021	5313213551	DRAIN TRAY
022	5313224671	FRONT PIECE
025	7313240281	CONTROL PANEL ASSEMBLY WITH BOARD
026	5213218951	DISPLAY BOARD (SW1.0)
031	7313212901	COFFEE DISPENSER
035	VA001	SEE ACCESSORIES IN PRODUCT DATA SHEET
036	5313232961	MILK INTAKE TUBE
037	5513220091	HOT WATER SPOUT
039	6132101300	SPRING
040	5313220031	O-RING (D=9.25 T=1.78)
044	5132104100	MICROSWITCH (250V 85°)
047	5232104600	REED SENSOR
048	5213218941	POWER BOARD (SW1.0 120V)
049	5313224721	RUBBER FOOT PAD
050	5313233221	NON-RETURN GASKET
051	7313236941	CARAFE COUPLING
054	7313251451	INFUSER
058	9812631250	SCREW (3.5X12)
059	6013213181	FILTER (D.40X2.3 TAI-FENG)
063	5313238581	GASKET
065	5313229491	FINGER STOP COVER
066	7313222321	GRINDER ASSEMBLY (3D-DL 120V)
067	5313236711	RIGHT ANGLE WATER OUTLET TUBE
068	5213218451	SOLENOID VALVE (3VB 120V)
069	5313217701	O-RING (D=3.85 T=2)
070	9812631250	SCREW (3.5X12)
071	5313213591	TROLLEY SLEWING RING
073	7313214521	COMPENSATION SYSTEM
074	5313213431	PROTECTIVE RUBBER GASKET
075	7313225971	TRANSMISSION ASSEMBLY (ECM 120V)
076	5213217981	MOTOR BOARD (120V)
077	5132110500	MICROSWITCH (250V 85°)
078	7313217271	MOTOR WITH PULLEY (ECM 120V)
079	5213213981	HALL SENSOR (L780)
080	5313243071	TOOTHED BELT
082	5132104100	MICROSWITCH (250V 85°)

083	5313238581	GASKET
084	5313217601	BLACK FILTER
085	7313253661	MECCANOVALVOLA (ECAM)
086	5313217861	TUBE (L145)
086	5313217871	TUBE (DI=3 DE=6 L200)
086	5332199500	SILICONE HOSE (DI=4 DE=8 L=150)
087	5513213501	TUBE WITH 2 BUSHES (L150)
087	5513221601	TUBE WITH 2 BUSHES (L90)
087	5513222411	TUBE WITH NUT AND 1 BUSH (L300)
087	5513222401	TUBE WITH NUT AND 1 BUSH (L180)
087	5513212881	TUBE WITH 2 BUSHES (L270)
087	5513212901	TUBE WITH 2 BUSHES (L290)
088	5313217701	O-RING (D=3.85 T=2)
089	6132101300	SPRING
090	5113211291	PUMP (ULKA 120V 52W)
091	5513230831	FLOW REGULATOR
093	5213213341	NTC PROBE (L870)
094	5332239300	SPACER
095	5313228791	GENERATOR GASKET
096	6113210021	CLIP (WIRE 1,2 AISI302)
097	7313229481	SAFETY VALVE
098	5113210211	MICROSWITCH
099	5213226191	FLOWMETER
100	5332239200	CONNECTOR
101	5213213321	PUMP PROTECTOR
102	5513226121	ROUND GENERATOR (120V1200W F6.3)
103	5013253401	TCO WITH WIRING
105	5513214661	CAM SLIDER
108	6113210021	CLIP (WIRE 1,2 AISI302)
110	7332212600	VAPORIZER (120V)
115	5213216261	TCO (13.5A 318°)
116	5213218271	SOLENOID VALVE (3VA 120V)