

This Owner's Manual is provided and hosted by [Appliance Factory Parts](#).



Black & Decker HSVB420J Owner's Manual

[Shop genuine replacement parts for Black & Decker
HSVB420J](#)



[Find Your Black & Decker Vacuum Cleaner Parts - Select From 339 Models](#)

----- Manual continues below -----

BLACK+ **DECKER**

TM

INSTRUCTION MANUAL
MODE D'EMPLOI
MANUAL DE INSTRUCCIONES

2 IN 1 CORDLESS VACUUM
ASPIRATEUR-BALAI 2 EN 1 SANS FIL
ASPIRADORA SIN CABLE 2 EN 1

HSV B420J
HSV B520J

Please read before returning this product for any reason.

À lire avant de retourner ce produit pour quelque raison que ce soit.

Lea el manual antes de devolver este producto por cualquier motivo.

English (*original instructions*) 1

Français (*traduction de la notice d'instructions originale*) 7

Español (*traducido de las instrucciones originales*) 13

Thank you for choosing BLACK+DECKER!

If you have a question or experience a problem with your BLACK+DECKER purchase, go to: <http://www.blackanddecker.com/instantanswers>

If you can't find the answer or do not have access to the Internet, call 1-800-544-6986 from 8 a.m. to 5 p.m. EST Mon. - Fri. to speak with an agent. Please have the CATALOG NUMBER available when you call.

To register your new product, visit
www.BlackandDecker.com/NewOwner

Consulter le site Web www.BlackandDecker.com/NewOwner
pour enregistrer votre nouveau produit.

Visite www.BlackandDecker.com/NewOwner para registrar su
nuevo producto.

DEFINITIONS: SAFETY ALERT SYMBOLS AND WORDS

This instruction manual uses the following safety alert symbols and words to alert you to hazardous situations and your risk of personal injury or property damage.

⚠ DANGER: Indicates an imminently hazardous situation which, if not avoided, will result in death or serious injury.

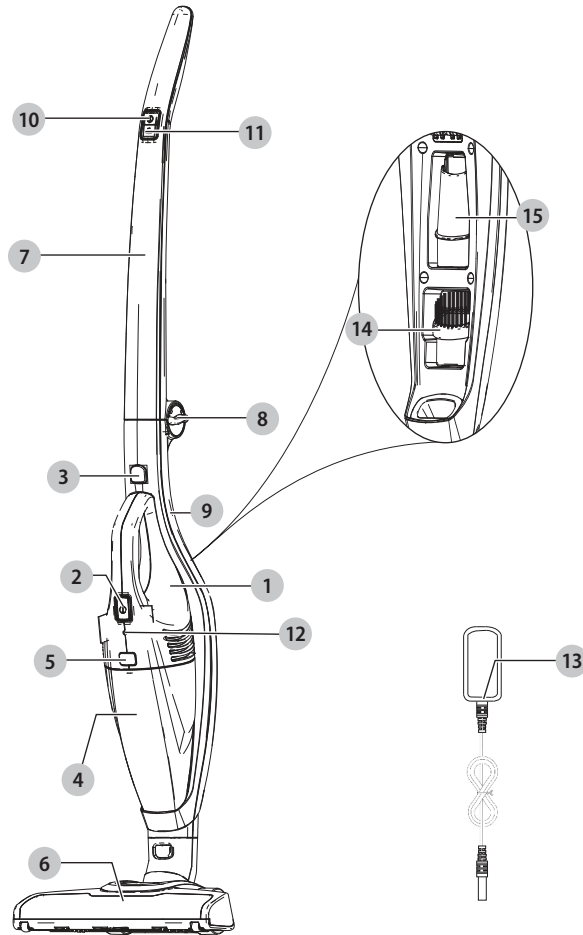
⚠ WARNING: Indicates a potentially hazardous situation which, if not avoided, could result in death or serious injury.

⚠ CAUTION: Indicates a potentially hazardous situation which, if not avoided, may result in minor or moderate injury.

⚠ (Used without word) Indicates a safety related message.

NOTICE: Indicates a practice not related to personal injury which, if not avoided, may result in property damage.

Fig. A



- 1 Hand vacuum
- 2 Hand vacuum ON/OFF button
- 3 Hand vacuum release button
- 4 Dust bowl
- 5 Dust bowl release button
- 6 Floor head
- 7 Foldable handle
- 8 Handle release
- 9 Stick vacuum chassis
- 10 Stick vacuum ON/OFF button
- 11 Power Boost button
- 12 Charging indicator light
- 13 Charger
- 14 Brush tool
- 15 Crevice tool



WARNING! Read all safety warnings and all instructions. Failure to follow the warnings and instructions may result in electric shock, fire and/or serious injury.



WARNING: To reduce the risk of injury, read the instruction manual.

IMPORTANT SAFETY INSTRUCTIONS

When using an electrical appliances, basic precautions should always be followed, including the following:

READ ALL INSTRUCTIONS BEFORE USING THIS APPLIANCE.



WARNING: Read all safety warnings and all instructions. Failure to follow the warnings and instructions listed below may result in electric shock, fire and/or serious injury.



WARNING: Some household dust contains chemicals known to the State of California to cause cancer, birth defects or other reproductive harm such as asbestos and lead based paint.



WARNING: Do not attempt to modify or repair the appliance.



WARNING: Do not charge the battery at ambient temperatures below 39 °F (4 °C) or above 104 °F (40 °C). Follow all charging instructions and do not charge the appliance outside of the temperature range specified in the instructions. Charging improperly or at temperatures outside of the specified range may damage the battery and increase risk of fire.



WARNING: To reduce the risk of fire, electrical shock or injury:

- Shock Hazard. To protect against risk of electrical shock, do not put charging base in water or other liquid.
- Do not allow to be used as a toy. Close attention is necessary when used by or near children.
- Use only as described in this manual. Use only manufacturer's recommended attachments.
- Do not use with damaged cord or plug. If appliance is not working as it should, has been dropped, damaged, left outdoors, or dropped into water, return it to a service center.

- Do not pull or carry by cord, use cord as a handle, close a door on cord, or pull cord around sharp edges or corners. Do not run appliance over cord. Keep cord away from heated surfaces.
- Do not unplug by pulling on cord. To unplug, grasp the plug, not the cord.
- Do not handle charger, including charger plug, and charger terminals with wet hands.
- Do not put any object into openings. Do not use with any opening blocked; keep free of dust, lint, hair, and anything that may reduce air flow.
- Keep hair, loose clothing, fingers, and all parts of body away from openings and moving parts.
- Use extra care when cleaning on stairs.
- Do not use to pick up flammable or combustible liquids, such as gasoline, or use in areas where they may be present.
- Do not pick up anything that is burning or smoking, such as cigarettes, matches, or hot ashes.
- Do not use without dust bag and/or filters in place.
- Do not charge the unit outdoors.
- Use only the charger supplied by the manufacturer to recharge.
- Do not incinerate the appliance even if it is severely damaged. The batteries can explode in a fire.
- This appliance is intended for household use only and not for commercial or industrial use.
- Do not allow the cord to hang over the edge of a table or counter or touch hot surfaces. The unit should be placed or mounted away from sinks and hot surfaces.
- Plug the charger directly into an electrical outlet.
- Use the charger only in a standard electrical outlet (120V/60Hz).
- Unplug the charger from outlet before any routine cleaning or maintenance.
- Do not look into the air vents when the unit is switched on, as sometimes there is a possibility of small debris being discharged from the air vents, especially after cleaning / replacement of the filters as debris inside the unit can be disturbed.
- Leaks from battery cells can occur under extreme conditions. If the liquid, which is a 20-35% solution of potassium hydroxide, gets on the skin (1) wash quickly with soap and water or (2) neutralize with a mild acid such as lemon juice or vinegar. If the liquid gets into the eyes, flush them immediately with clean water for a minimum of 10 minutes. Seek medical attention.

ADDITIONAL SAFETY WARNINGS

- a) **Prevent unintentional starting. Ensure the switch is in the off-position before picking up or carrying the appliance.** Carrying the appliance with your finger on the switch or energizing appliance that have the switch on invites accidents.
- b) **Recharge only with the charger specified by the manufacturer.** A charger that is suitable for one type of battery pack may create a risk of fire when used with another battery pack.
- c) **Do not use a battery pack or appliance that is damaged or modified.** Damaged or modified

batteries may exhibit unpredictable behavior resulting in fire, explosion or risk of injury.

- d) **Do not expose a battery pack or appliance to fire or excessive temperature.** Exposure to fire or temperature above 266 °F (130 °C) may cause explosion.
- e) **Have servicing performed by a qualified repair person using only identical replacement parts.** This will ensure that the safety of the product is maintained.
- f) Only for use with HSVB420 : JOD-S-180050A1 / BLJ15L180050P-U, HSVB520: JOD-S-220050A1 / BLJ15L220050P-U chargers.

SAVE THESE INSTRUCTIONS

SYMBOLS

The label on your tool may include the following symbols. The symbols and their definitions are as follows:

- Vvolts
- Aamperes
- Hz.....hertz
- W.....watts
- min.....minutes
- ~ or AC.....alternating current
- or DCdirect current
- n₀.....no load speed
- ⓂClass I Construction (grounded)
- Ⓧearthing terminal
- ⚠safety alert symbol
- ⓂClass II Construction (double insulated)
- ./min or rpm. revolutions or reciprocation per minute
- Wh.....Watt Hours

ASSEMBLY

⚠ WARNING: Do not attempt to modify or repair the appliance.

Intended use

Your BLACK+DECKER lithium ion cordless 2 in 1 stick vacuum cleaner has been designed for light, dry vacuum cleaning purposes. This appliance is intended for household use only.

Assembly (Fig. B, C)

1. Raise the handle 7 until it locks in place and twist the handle lock 8 to the locked position as shown in Fig. B
2. Insert the hand vacuum 1 into the stick vacuum chassis 9 as shown in Fig. C, ensuring it clicks firmly into place.
3. Align the bottom of the stick vacuum chassis 9 with the floor head 6.
4. Push the bottom of the stick vacuum chassis 9 onto the floor head 6 so it locks into position as shown in Fig. C.

5. To remove an accessory, first remove the hand vacuum from the stick vacuum chassis.
6. Pull the accessory from the stick vacuum chassis 9.
7. To store an accessory, press the accessory into the stick vacuum chassis 9.

⚠ WARNING: When not in use position the unit with the rear of the vacuum facing a wall so that any inadvertent fall of the unit would contact a wall and not people or pets.

Fig. B

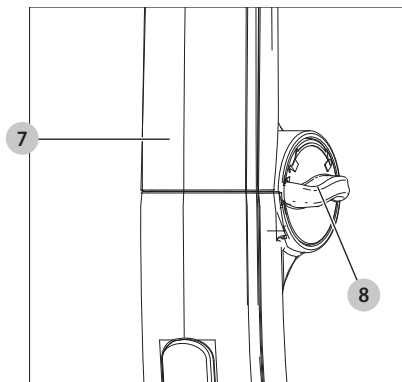
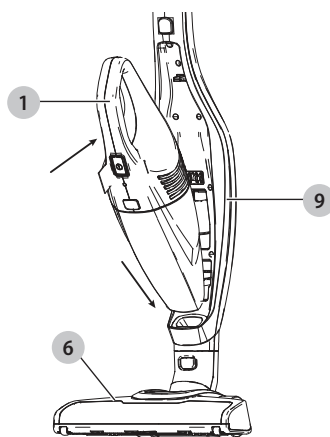


Fig. C



Charging the battery (Fig. D)

⚠ WARNING: For use only with the supplied charger.

From new, the rechargeable cells of the product need a minimum charge time of 5 hours to ensure full power.

1. Fig. D - Ensure the hand vacuum is docked securely into the stick vacuum chassis.
2. Plug the jack plug 16 of the charger 13 into the charging port 17 located on the stick vacuum chassis.

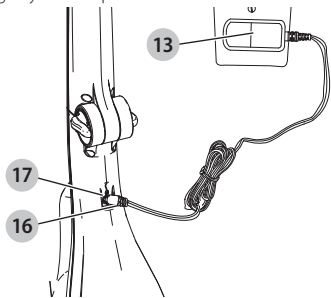
ENGLISH

3. Plug the charger into any standard 120 Volt 60 Hz electrical outlet.
4. The LED **3** flashes RED during normal charge and turns GREEN for 60 seconds when the battery is fully charged.
5. Fast RED blink indicates a bad battery pack. Please contact your BLACK+DECKER dealer. Visit www.blackanddecker.com to locate dealers.

Battery discharging

1. The LED **3** is GREEN when discharging.
2. The LED flashes GREEN when the battery charge is low.
3. The LED flashes RED for 10 seconds when the battery is fully discharged.
4. The LED flashes RED when the rotary brush is jammed or entangled. Please refer to section 'Removing and cleaning the rotary brushes'.
5. Once the unit is fully discharged, the LED **3** will flash RED for 10 seconds every time the handvac or stick vac ON/OFF switch is pressed and the unit will not turn ON.
6. A charge cycle is required before the unit will turn ON.

Fig. D



- While charging, the charger may get warm, this is perfectly normal and safe. It is safe to leave the appliance connected to the charger indefinitely. The charger automatically reduces power consumption when charging is complete.

⚠ WARNING: Do not charge the battery at ambient temperatures below 39 °F (4 °C) or above 104 °F (40 °C). Follow all charging instructions and do not charge the appliance outside of the temperature range specified in the instructions.

Removing / Installing Hand Vac (Fig. A)

To remove hand vac:

1. Press the hand vacuum release button **3**.
2. Lift the hand vacuum **1** from the stick vacuum chassis **9**.

To install hand vac:

3. Insert the hand vacuum **1** into the stick vacuum chassis **9** as shown in Fig. C, ensuring it clicks firmly into place.

Switching ON and OFF

Hand Vac Mode

1. To switch ON, press the ON/OFF power button **2**.
 2. To switch OFF, press the ON/OFF power button **2**.
- NOTE:** Return the product to the charger immediately after use so that it will be ready and fully charged for the

next use. Ensure that the product is fully engaged with the charger plug.

Stick Vac Mode

1. To switch ON, press the Stick vacuum ON/OFF button **10**.
 2. For increased power, press the power boost button **11**.
- NOTE:** Pressing the power boost button more than once will cycle the power of the rotary brushes from normal to boosted.
3. To switch OFF, press the Stick vacuum ON/OFF button **10**.
- NOTE:** Return the product to the charger immediately after use so that it will be ready and fully charged for the next use. Ensure that the product is fully engaged with the charger plug.

Hand Vac Accessories (Fig. E)

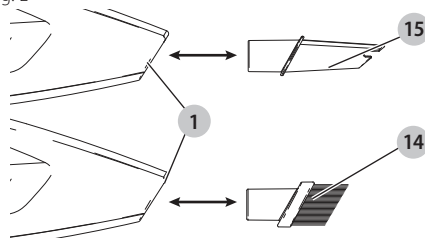
Your hand vacuum may be supplied with some of the following accessory:

- The brush tool **14** is designed for more effective cleaning of upholstered furniture and fabric.
- The crevice tool **15** allows for vacuuming in narrow and hard-to-reach places.

Fitting

1. Insert the appropriate accessory into the front of the hand vacuum **1** as show in Figure E.
2. Make sure the accessory is fully pushed in.

Fig. E



Dry pick up

For everyday spills of dry material.

- Do not fill the dust bowl **4** beyond the end of the intake chute.

Optimizing the suction force

In order to keep the suction force optimized, the filters must be cleaned regularly during use.

Emptying and Cleaning

Removing the dust bowl and filter (Fig. F, G)

⚠ WARNING: The filter is reusable and should be cleaned regularly.

1. Press the dust bowl release button **5** and pull the dust bowl **4** straight off as shown in Fig. F.
2. While holding the dust bowl over a trash can, pull out the filter assembly **18** to empty the contents.
3. Rotate filter **19** counterclockwise to unlock and remove it from the pre filter **20**. Gently remove any debris.

4. Reassemble the cleaned filter assembly and insert into the dust bowl.
5. To replace the dust bowl, push it back onto the hand vacuum until it clicks firmly into place.

! WARNING: *Never use the appliance without the filters. Optimum dust collection will only be achieved with a clean filter.*

Fig. F

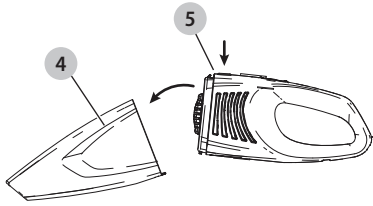
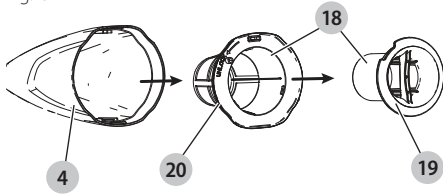


Fig. G



Cleaning the dust bowl and filter

The dust bowl **4**, pre filter **20** and filter **19** can be washed in warm soapy water.

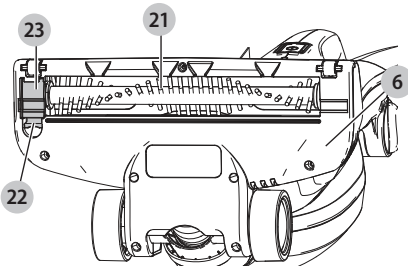
1. Make sure the pre filter **20**, filter **19** and the dust bowl **4** are completely dry before installing.

Removing and cleaning the rotary brushes (Fig. H)

! CAUTION: *To reduce the risk of injury from moving parts, disconnect the floor head from the vacuum before cleaning or servicing.*

- To remove the rotary brush **21**, pinch and lift the plastic tab **22** on the pivoting clip **23** away from the floor head **6**.
- Lift the rotary brush **21** out of the floor head. Clear the brushes of any hair or other debris that may have accumulated.
- Replace rotary brush, and secure pivoting clip before using vacuum.

Fig. H



Replacing the filters

The filters should be replaced every 6 to 9 months and whenever worn or damaged. Replacement filters are available from your BLACK+DECKER dealer.

Visit www.blackanddecker.com to locate dealers.

- Remove the old filters as described in **Cleaning the Filters**.
- Fit the new filters as described in **Cleaning the Filters**. (cat. no: SVF12)

MAINTENANCE

Use only mild soap and damp cloth to clean the vac. Never let any liquid get inside the vac; never immerse any part of the vacuum into a liquid.

! WARNING: *Make sure the vacuum is completely dry before using it.*

IMPORTANT: To assure product SAFETY and RELIABILITY, repairs, maintenance and adjustment (other than those listed in this manual) should be performed by authorized service centers or other qualified service organizations, always using identical replacement parts.

TROUBLESHOOTING

If the product does not work, check the following:

- The charger was correctly plugged in for recharge. (It feels slightly warm to the touch.)
- The charger cord is not damaged and is correctly attached.
- The charger is plugged into a working electrical outlet.
- The switch is in the "OFF" position when charging.

If vacuum performance is poor, check the following:

- Clean the filters. (See "Cleaning and emptying the vacuum" section.)
- Empty the dust bowl. (See "Cleaning and emptying the vacuum" section.)
- Clean the rotary brushes. (See "Removing and cleaning the rotary brushes" section.)
- The red LED flashes continuously, plug in the charger and perform a recharge cycle

For assistance with your product, visit our website

www.blackanddecker.com for the location of the service center nearest you or call the BLACK+DECKER help line at **1-800-544-6986**.

ACCESSORIES

Recommended accessories for use with your appliance are available from your local dealer or authorized service center. If you need assistance regarding accessories, please call:

1-800-544-6986.

! WARNING: *The use of any accessory not recommended for use with this appliance could be hazardous.*

The RBRC® Seal

The RBRC® (Rechargeable Battery Recycling Corporation) Seal on the nickel cadmium, nickel metal hydride or lithium-



ENGLISH

ion batteries (or battery packs) indicates that the costs to recycle these batteries (or battery packs) at the end of their useful life have already been paid by BLACK+DECKER. In some areas, it is illegal to place spent nickel cadmium, nickel metal hydride or lithium-ion batteries in the trash or municipal solid waste stream and the Call 2 Recycle® program provides an environmentally conscious alternative.

Call 2 Recycle, Inc., in cooperation with BLACK+DECKER and other battery users, has established the program in the United States and Canada to facilitate the collection of spent nickel cadmium, nickel metal hydride or lithium-ion batteries. Help protect our environment and conserve natural resources by returning the spent nickel cadmium, nickel metal hydride or lithium-ion batteries to an authorized BLACK+DECKER service center or to your local retailer for recycling. You may also contact your local recycling center for information on where to drop off the spent battery. RBRC® is a registered trademark of Call 2 Recycle, Inc.

SERVICE INFORMATION

All BLACK+DECKER Service Centers are staffed with trained personnel to provide customers with efficient and reliable power tool service. Whether you need technical advice, repair, or genuine factory replacement parts, contact the BLACK+DECKER location nearest you. To find your local service location, call: **1-800-544-6986** or visit **www.blackanddecker.com**

TWO-YEAR LIMITED WARRANTY

Black & Decker (U.S.) Inc. warrants this product to be free from defects in material or workmanship for a period of two (2) years following the date of purchase, provided that the product is used in a home environment. This limited warranty does not cover failures due to abuse, accidental damage or when repairs have been made or attempted by anyone other than BLACK+DECKER and its Authorized Service Centers. A defective product meeting the warranty conditions set forth herein will be replaced or repaired at no charge in either of two ways: The first, which will result in exchanges only, is to return the product to the retailer from whom it was purchased (provided that the store is a participating retailer). Returns should be made within the time period of the retailer's policy for exchanges. Proof of purchase may be required. Please check with the retailer for its specific return policy regarding time limits for returns or exchanges. The second option is to take or send the product (prepaid) to a BLACK+DECKER owned or authorized Service Center for repair or replacement at BLACK+DECKER's option. Proof of purchase may be required. BLACK+DECKER owned and authorized service centers are listed online at www.blackanddecker.com. This warranty does not apply to accessories. This warranty gives you specific legal rights and you may have other rights which vary from state to state. Should you have any questions, contact the manager of your nearest BLACK+DECKER Service Center. This product is not intended for commercial use, and accordingly, such commercial use of this product will void this warranty. All other guarantees, express or implied, are hereby disclaimed.

LATIN AMERICA: This warranty does not apply to products sold in Latin America. For products sold in Latin America, check country specific warranty information contained in

the packaging, call the local company or see the website for such information.

Imported by Black & Decker (U.S.) Inc.,
701 E. Joppa Rd.
Towson, MD 21286



Définitions : symboles et termes d'alarmes sécurité

Ces guides d'utilisation utilisent les symboles et termes d'alarmes sécurité suivants pour vous prévenir de situations dangereuses et de risques de dommages corporels ou matériels.

⚠ DANGER : indique une situation dangereuse imminente qui, si elle n'est pas évitée, **entraînera la mort ou des blessures graves.**

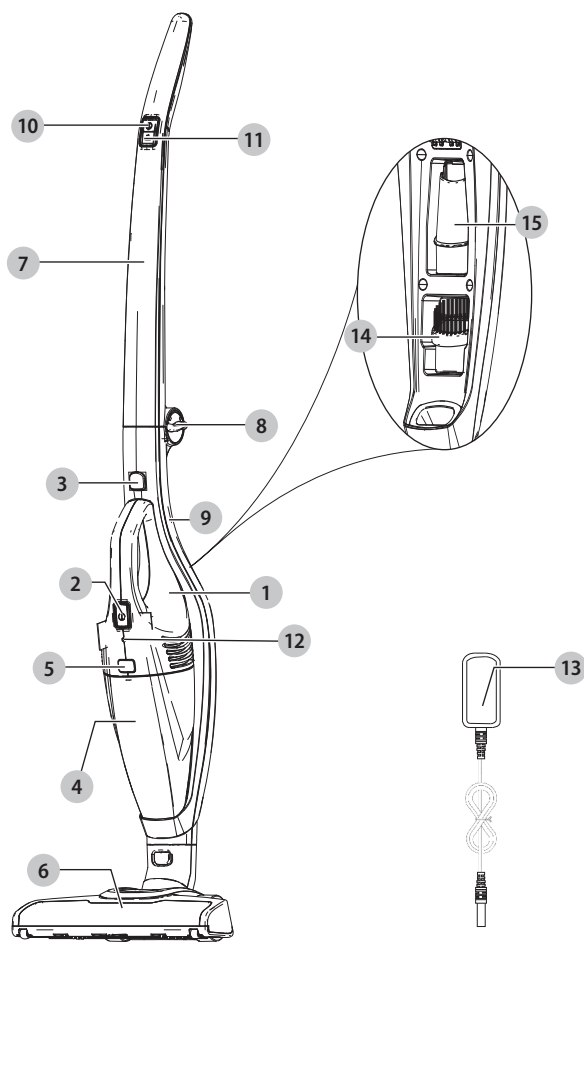
⚠ AVERTISSEMENT : indique une situation potentiellement dangereuse qui, si elle n'est pas évitée, **pourrait entraîner la mort ou des blessures graves.**

⚠ ATTENTION : indique une situation potentiellement dangereuse qui, si elle n'est pas évitée, **pourrait entraîner des blessures légères ou modérées.**

⚠ (Si utilisé sans aucun terme) Indique un message propre à la sécurité.

AVIS : indique une pratique ne posant **aucun risque de dommages corporels** mais qui par contre, si rien n'est fait pour l'éviter, **pourrait poser des risques de dommages matériels.**

Fig. A



- 1 Aspirateur à main
- 2 Bouton Marche/Arrêt de l'aspirateur à main
- 3 Bouton de libération de l'aspirateur à main
- 4 Compartiment à poussière
- 5 Bouton de libération du compartiment à poussière
- 6 Brosse à plancher
- 7 Poignée pliable
- 8 Libération de la poignée
- 9 Châssis de l'aspirateur-balai
- 10 Bouton Marche/Arrêt de l'aspirateur-balai
- 11 Bouton Pleine puissance
- 12 Témoin d'indication de recharge
- 13 Chargeur
- 14 Outil de brosse
- 15 Suceur plat

**AVERTISSEMENT!**

lire tous les avertissements de sécurité et toutes les directives. Le non-respect des avertissements et des directives pourrait se solder par un choc électrique, un incendie et/ou une blessure grave.



AVERTISSEMENT : afin de réduire le risque de blessures, lire le mode d'emploi de l'outil.

CONSIGNES IMPORTANTES DE SÉCURITÉ

Lorsque vous utilisez un appareil électrique, des précautions élémentaires devraient toujours être prises, incluant les suivantes :

LISEZ TOUTES LES INSTRUCTIONS AVANT D'UTILISER CET APPAREIL.



AVERTISSEMENT : Lisez tous les avertissements de sécurité et toutes les instructions. Ne pas suivre les avertissements et les instructions ci-dessous peut entraîner un choc électrique, un incendie et/ou des blessures graves.



AVERTISSEMENT : Certaines poussières domestiques comme l'amiante ou le plomb dans la peinture à base de plomb contiennent des produits chimiques reconnus dans l'État de la Californie pour causer le cancer et des anomalies congénitales ou autres effets nuisibles sur la reproduction.



AVERTISSEMENT : Ne pas tenter de modifier ou de réparer l'appareil.



AVERTISSEMENT : Ne pas recharger le bloc-piles à des températures sous 4 °C (39 °F) ou au-dessus de 40 °C (104 °F). Suivez les instructions de recharge et ne pas recharger l'appareil hors de la plage de températures indiquée dans les instructions. Recharger de façon inappropriée ou hors de la plage de températures indiquée peut endommager le bloc-piles et augmenter le risque d'incendie.



AVERTISSEMENT : Afin de réduire le risque d'incendie, de choc électrique ou de blessure :

- Utilisez seulement comme décrit dans le présent manuel. Utiliser seulement les accessoires recommandés du fabricant.
- Ne pas utiliser avec un cordon ou une fiche endommagée. Si l'outil ne fonctionne pas comme il le devrait, a été échappé, endommagé, laissé à l'extérieur ou échappé dans l'eau, retournez-le dans un centre de services.
- Ne pas tirer ou transporter par le cordon, utiliser celui-ci comme une poignée, le passer sous une porte ou autour d'arêtes ou coins acérés. Ne pas passer la machine sur le cordon. Gardez le cordon hors de portée de surfaces chaudes.
- Ne pas débrancher en tirant sur le cordon. Pour débrancher, saisissez la fiche, pas le cordon.
- Ne pas toucher au chargeur ou sa fiche et ses contacts si vos mains sont mouillées.
- Ne pas mettre tout objet dans les ouvertures. Ne pas utiliser si une ouverture est bloquée; tenez à l'écart de la poussière, de la charpie ainsi que des cheveux et de tout ce qui peut réduire la circulation de l'air.
- Gardez vos cheveux, vêtements amples, doigts et toutes les parties de votre corps loin des ouvertures et des pièces en mouvement de l'outil.
- Redoublez de prudence durant le nettoyage d'escaliers.
- Ne pas utiliser pour ramasser des liquides combustibles ou inflammables, comme l'essence ou utiliser dans des endroits où ils sont présents.
- Ne pas ramasser tout ce qui brûle ou fume comme des cigarettes, des allumettes ou des cendres chaudes.
- Ne pas utiliser sans le sac à poussière et/ou les filtres en place.
- Ne pas charger l'appareil à l'extérieur.
- Utilisez seulement le chargeur fourni par le fabricant pour recharger.
- Ne pas incinérer l'appareil même s'il est sévèrement endommagé. Les piles peuvent exploser et causer un incendie.
- Cet appareil n'est prévu que pour usage domestique et non pour utilisation commerciale ou industrielle.
- Ne pas laisser le cordon pendre du bord d'une table ou comptoir ou entrer en contact avec une surface chaude. L'appareil ne devrait pas être placé ou monté près d'un évier ou d'une source de chaleur.
- Branchez le chargeur directement dans une prise de courant.
- Branchez le chargeur seulement dans une prise de courant domestique standard (120 V - 60 Hz).
- Débranchez le chargeur de sa prise avant tout entretien ou nettoyage de routine.
- Ne pas regarder dans les événements lorsque l'appareil est en marche parce qu'il arrive parfois que de petits débris puissent être éjectés des événements, particulièrement après le nettoyage/remplacement des filtres puisque les débris à l'intérieur de l'appareil peuvent être dérangés.
- Sous conditions extrêmes, une fuite des cellules du bloc-piles peut se produire. Si le liquide (qui est une solution de 20 à 35 % d'hydroxyde de potassium) se retrouve sur

l'épiderme, (1) lavez rapidement à l'eau et au savon et (2) neutralisez avec un produit légèrement acide comme du jus de citron ou du vinaigre. Si du liquide entre dans les yeux, rincez immédiatement avec de l'eau propre pour une durée minimum de 10 minutes. Consultez un médecin.

AVERTISSEMENTS DE SÉCURITÉ SUPPLÉMENTAIRES

- Prévention le démarrage intempestif. S'assurer que le commutateur est en position Arrêt avant de manipuler l'appareil.** Transporter l'appareil avec votre doigt sur l'interrupteur ou mettre sous tension un appareil dont le commutateur de marche est fermé favorise les accidents.
- Rechargez seulement avec le chargeur indiqué par le fabricant.** Un chargeur est approprié pour un type de bloc-piles et peut créer un risque d'incendie s'il est utilisé avec un bloc-piles d'un autre type.
- Ne pas utiliser un bloc-piles ou un appareil qui est endommagé ou qui a été modifié.** Les piles endommagées ou modifiées peuvent avoir un comportement imprévisible entraînant un incendie, une explosion ou un risque de blessure.
- Ne pas exposer le bloc-piles ou l'appareil au feu ou à une température excessive.** L'exposition au feu ou à une température au-dessus de 130 °C (266 °F) pourrait entraîner une explosion.
- Pour les réparations, se référer à une personne qualifiée utilisant uniquement des pièces de rechange d'origine identiques.** Ceci assurera le maintien de la sécurité du produit.
- Utilisez seulement avec des chargeurs HSVB420 : JOD-S-180050A1 / BLJ15L180050P-U, HSVB520: JOD-S-220050A1 / BLJ15L220050P-U.

CONSERVEZ CES INSTRUCTIONS

SYMBOLES

L'étiquette apposée sur votre outil pourrait comprendre les symboles suivants. Les symboles et leurs définitions sont indiqués ci-après :

V.....	volts
A.....	ampères
Hz.....	hertz
W.....	watts
min.....	minutes
~ ou AC.....	courant alternatif
— ou DC.....	courant continu
n _o	sous vide
Ⓢ.....	Construction de classe I
Ⓢ.....	borne de mise à la minute (mis à la terre)
Ⓢ.....	Construction de classe II
⚠.....	symbole d'avertissement
./min.....	tours à la minute
Wh.....	Watt Heures

Assemblage (Fig. B, C)

- Montez la poignée 7 jusqu'à ce qu'elle se verrouille en place et tournez le verrou de la poignée 8 en position verrouillée comme illustré dans la Fig. B.
- Insérez l'aspirateur à main 1 dans le châssis de l'aspirateur-balai 9 comme illustré dans la Fig. C en vous assurant qu'il clique solidement en place.
- Alignez le bas du châssis de l'aspirateur-balai 9 avec la brosse à plancher 6.
- Poussez le bas du châssis de l'aspirateur-balai 9 dans la brosse à plancher 6 pour qu'il se verrouille en place comme illustré dans la Fig. C.
- Pour retirer un accessoire, retirez d'abord l'aspirateur à main du châssis de l'aspirateur-balai.
- Tirez l'accessoire du châssis de l'aspirateur-balai 9.
- Pour ranger un accessoire, poussez l'accessoire dans le châssis de l'aspirateur-balai 9.

AVERTISSEMENT : Lorsqu'il n'est pas utilisé, placez l'appareil avec l'arrière de l'aspirateur face à un mur de sorte qu'il ne tombe pas sur un enfant ou un animal domestique.

Fig. B

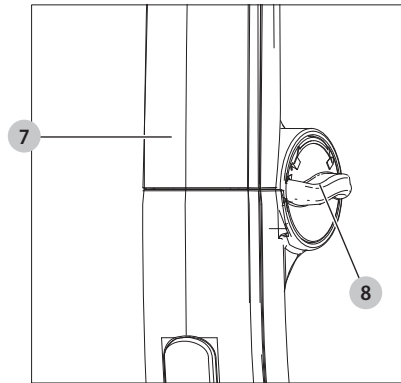
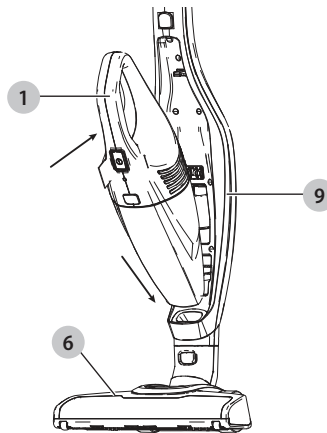


Fig. C



Chargement de la pile (Fig. D)

AVERTISSEMENT : Pour utilisation avec le chargeur fourni seulement.

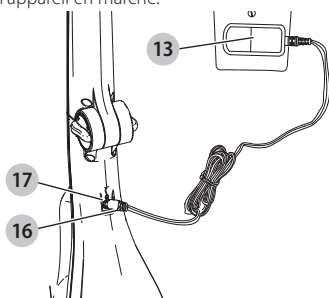
Lorsqu'elles sont neuves, les piles rechargeables du produit ont besoin d'un temps de charge minimum de 5 heures pour assurer une pleine puissance.

1. Fig. D - Assurez-vous que l'aspirateur à main est fixé de façon sécuritaire dans le châssis de l'aspirateur-balai.
2. Connectez le connecteur mâle **16** du chargeur **13** dans le port de charge **17** situé sur le châssis de l'aspirateur-balai.
3. Branchez le chargeur dans une prise électrique 120 volts 60 Hz standard.
4. Le voyant DEL **3** clignote ROUGE durant la charge normale et devient VERT pendant 60 secondes lorsque le bloc-piles est complètement chargé.
5. Un clignotement rapide ROUGE indique un mauvais bloc-piles. Veuillez contacter votre détaillant BLACK+DECKER. Visitez www.blackanddecker.com pour trouver les détaillants.

Déchargement du bloc-piles

1. Le voyant DEL **3** est VERT pendant le déchargement.
2. Le voyant DEL clignote VERT lorsque la charge du bloc-piles est faible.
3. Le voyant DEL clignote ROUGE pendant 10 secondes lorsque le bloc-piles est complètement déchargé.
4. Le voyant DEL clignote ROUGE lorsque la brosse rotative est bloquée ou emmêlée. Veuillez consulter la section « Retirer et nettoyer les brosses rotatives ».
5. Lorsque l'appareil est complètement déchargé, le voyant DEL **3** clignotera ROUGE pendant 10 secondes chaque fois que vous appuyez sur le bouton Marche/Arrêt de l'aspirateur à main ou de l'aspirateur-balai et l'appareil ne se mettra pas en marche.
6. Un cycle de chargement complet est requis avant de mettre l'appareil en marche.

Fig. D



- Pendant la recharge, le chargeur peut devenir chaud. Ceci parfaitement normal et sécuritaire. L'appareil peut demeurer connecté sur le chargeur indéfiniment sans aucun problème. Le chargeur réduit automatiquement sa consommation électrique lorsque le chargement est terminé.

AVERTISSEMENT : Ne pas recharger le bloc-piles à des températures sous 4 °C (39 °F) ou au-dessus de 40 °C (104 °F). Suivez les instructions de recharge et ne chargez pas l'appareil hors de la plage de températures indiquée dans les instructions.

Retirer/Installer l'aspirateur à main (Fig. A)**Pour retirer l'aspirateur à main :**

7. Appuyez sur le bouton de libération de l'aspirateur à main **3**.
8. Levez l'aspirateur à main **1** du châssis de l'aspirateur-balai **9**.

Pour installer l'aspirateur à main :

9. Insérez l'aspirateur à main **1** dans le châssis de l'aspirateur-balai **9** comme illustré dans la Fig. C en vous assurant qu'il clique solidement en place.

Mettre en marche et éteindre**Mode Aspirateur à main**

1. Pour mettre en marche, appuyez sur le bouton MARCHE/ARRÊT **2**.
 2. Pour éteindre, appuyez sur le bouton MARCHE/ARRÊT **2**.
- REMARQUE :** Remplacez l'aspirateur dans son chargeur immédiatement après le travail afin qu'il soit prêt pour la prochaine utilisation. Assurez-vous que le produit est bien branché avec la fiche du chargeur.

Mode Aspirateur-balai

1. Pour mettre en marche, appuyez sur le bouton MARCHE/ARRÊT **10** de l'aspirateur-balai.
 2. Pour une puissance accrue, appuyez sur le bouton Pleine puissance **11**.
- REMARQUE :** Appuyer sur le bouton Pleine puissance plus d'une fois fera passer la puissance des brosses rotatives de normale à pleine puissance.
3. Pour éteindre, appuyez sur le bouton MARCHE/ARRÊT **10** de l'aspirateur-balai.
- REMARQUE :** Remplacez l'aspirateur dans son chargeur immédiatement après le travail afin qu'il soit prêt pour la prochaine utilisation. Assurez-vous que le produit est bien branché avec la fiche du chargeur.

Accessoires de l'aspirateur à main (Fig. E)

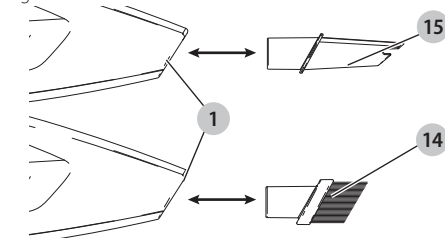
Votre aspirateur à main peut être offert avec certains des accessoires suivants :

- L'outil de brossage **14** est conçu pour un nettoyage plus efficace des meubles rembourrés et des tissus.
- Le suceur plat **15** permet l'aspiration dans des endroits étroits et difficiles à atteindre.

Ajustement

1. Insérez l'accessoire approprié à l'avant de l'aspirateur à main **1** comme illustré dans la Figure E.
2. Assurez-vous que l'accessoire est complètement enfoncé.

Fig. E



Ramassage à sec

Pour les déversements quotidiens de matière sèche.

- Ne pas remplir le compartiment à poussière **4** au-delà de l'extrémité du conduit d'aspiration.

Optimiser la force de succion

Afin de conserver l'optimisation de la force de succion, les filtres doivent être nettoyés régulièrement durant l'utilisation.

Vider et nettoyer

Retirer le compartiment à poussière et le filtre (Fig. F, G)

AVERTISSEMENT : Le filtre est réutilisable et doit être nettoyé régulièrement.

1. Appuyez sur le bouton de libération du compartiment à poussière **5** et tirez le compartiment à poussière **4** comme illustré dans la Fig. F.
2. Tout en tenant le compartiment à poussière au-dessus de la poubelle, sortez l'assemblage du filtre **18** pour vider le contenu.
3. Tournez le filtre **19** dans le sens contraire des aiguilles d'une montre pour le déverrouiller et le retirer du préfiltre **20**. Retirez doucement tout débris.
4. Réassemblez l'assemblage du filtre nettoyé et insérez dans le compartiment à poussière.
5. Pour remettre le compartiment à poussière, poussez-le sur l'aspirateur à main jusqu'à ce qu'il clique solidement en place.

AVERTISSEMENT : Ne jamais utiliser cet appareil sans les filtres. La collecte de poussière optimale ne sera possible que si vous utilisez un filtre propre.

Fig. F

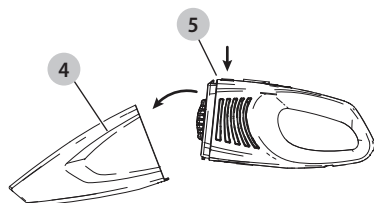
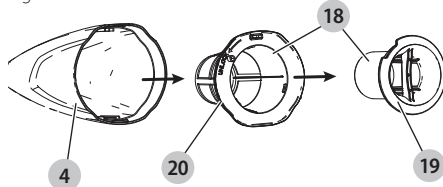


Fig. G



Nettoyer le compartiment à poussière et le filtre

Le compartiment à poussière **4**, le préfiltre **20** et le filtre **19** peuvent être lavés dans de l'eau tiède et savonneuse.

1. Assurez-vous que le préfiltre **20**, le filtre **19** et le compartiment à poussière **4** sont complètement secs avant de les réinstaller.

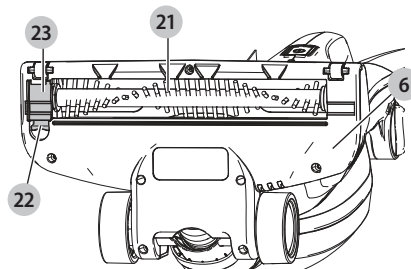
Retirer et nettoyer les brosses rotatives (Fig. H)

ATTENTION : Pour réduire le risque de blessures causées par les pièces en mouvement, déconnectez la brosse à plancher de l'aspirateur avant de nettoyer ou de réparer.

- Pour retirer la brosse rotative **21**, pincez et levez la languette de plastique **22** sur la pince pivotante **23** loin de la brosse à plancher **6**.
- Levez la brosse rotative **21** hors de la brosse à plancher. Retirez les cheveux et tout autre débris des brosses qui peuvent s'accumuler.

Remettez la brosse rotative et sécurisez la pince pivotante avant d'utiliser l'aspirateur.

Fig. H



Remplacer les filtres

Les filtres doivent être remplacés tous les 6 à 9 mois et lorsqu'ils sont usés ou endommagés. Les filtres de remplacement sont disponibles chez votre détaillant BLACK+DECKER.

Visitez www.blackanddecker.com pour trouver les détaillants.

- Retirez les anciens filtres comme décrit dans **Nettoyage des filtres**.
- Mettez les nouveaux filtres comme décrit dans **Nettoyage des filtres**.

(N° de cat. : SVFK10)

ENTRETIEN

Utilisez seulement un savon doux et un linge humide pour nettoyer l'aspirateur. Ne jamais laisser de liquide entrer à l'intérieur de l'aspirateur; ne jamais immerger toute partie de l'aspirateur dans un liquide.



AVERTISSEMENT : *Assurez-vous que l'aspirateur est complètement sec avant de l'utiliser.*

IMPORTANT : Afin d'assurer votre SÉCURITÉ et la FIABILITÉ du produit, les réparations, l'entretien et les ajustements (autres que ceux énumérés dans le présent manuel) doivent être effectués dans un centre de service BLACK+DECKER ou une entreprise de service autorisée, toujours en utilisant des pièces de remplacement identiques.

DÉPANNAGE

L'appareil ne fonctionne pas. Contrôler ce qui suit :

- Le chargeur avait été branché pour la recharge (Il sera légèrement chaud au toucher).
- Le cordon du chargeur est bien fixé et non endommagé.
- Le chargeur est branché dans une prise de courant.
- Le bouton est en position « Arrêt » lors du chargement.

Si la performance de l'aspirateur est faible, vérifiez ce qui suit :

- Nettoyez les filtres. (Consultez la section « Nettoyer et vider l'aspirateur ».)
- Videz la bac à poussière. (Consultez la section « Nettoyer et vider l'aspirateur ».)
- Nettoyez les brosses rotatives. (Consultez la section « Retirer et nettoyer les brosses rotatives ».)

Le voyant DEL rouge clignote de façon continue, branchez le chargeur et effectuez un cycle de recharge. Pour de l'aide avec l'outil, consulter notre site Web

www.blackanddecker.com pour l'emplacement du centre de réparation le plus près ou communiquer avec l'assistance BLACK+DECKER au **1-800-544-6986**.

ACCESSOIRES

Les accessoires recommandés pouvant être utilisés avec l'appareil sont disponibles auprès du détaillant local ou du centre de réparation autorisé. Pour obtenir de l'aide concernant les accessoires, composer le : **1 800 544-6986**.



AVERTISSEMENT : *l'utilisation de tout accessoire non recommandé avec cet appareil pourrait s'avérer dangereuse.*

INFORMATION SUR LES RÉPARATIONS

Tous les centres de réparation BLACK+DECKER sont dotés de personnel qualifié en matière d'outillage électrique; ils sont donc en mesure d'offrir à leur clientèle un service efficace et fiable. Que ce soit pour un avis technique, une réparation ou des pièces de rechange authentiques installées en usine, communiquer avec l'établissement BLACK+DECKER le plus près de chez vous. Pour trouver l'établissement de réparation de votre région, composer le

numéro suivant : **1 800 544-6986** ou consulter le site www.blackanddecker.com

GARANTIE LIMITÉE DE DEUX ANS

Black & Decker (É.-U.) Inc. garantit que le produit est exempt de défauts de matériau et de fabrication pendant deux (2) ans à partir de la date d'achat, à condition que le produit soit utilisé en milieu domestique. La présente garantie limitée ne couvre pas les défaillances provoquées par un abus, un dommage accidentel ou des réparations ou tentatives de réparations effectuées par toute autre personne que le personnel de BLACK+DECKER et de ses centres de réparation agréés. Un produit défectueux qui remplit les conditions stipulées par la présente garantie sera remplacé ou réparé sans frais d'une des deux façons suivantes :

La première façon consiste en un échange chez le détaillant où le produit a été acheté (à la condition que le magasin soit un détaillant participant). Tout retour doit se faire durant la période correspondant à la politique d'échange du détaillant. Une preuve d'achat peut être requise. Prière de vérifier la politique de retour du détaillant au sujet des délais impartis pour les retours ou les échanges.

La deuxième option est d'apporter ou d'envoyer le produit (en port payé) à un centre de réparation agréé ou à un centre de réparation BLACK+DECKER pour faire réparer ou échanger le produit, à la discrétion de BLACK+DECKER. Une preuve d'achat peut être requise. Les centres de réparation de BLACK+DECKER et les centres de réparation ou en ligne sur www.blackanddecker.com.

Cette garantie ne s'applique pas aux accessoires. Cette garantie accorde des droits légaux propres au propriétaire de l'outil. Ce dernier pourrait avoir d'autres droits selon l'État ou la province qu'il habite. Pour toute question, communiquer avec le directeur du centre de réparation BLACK+DECKER le plus près. Ce produit n'est pas destiné à un usage commercial. L'usage commercial de ce produit annule par conséquent cette garantie. Toutes autres garanties, expresses ou implicites, sont déclinées par la présente.

Importé par Black & Decker (U.S.) Inc.,
701 E. Joppa Rd.
Towson, MD 21286



BlackandDecker.com
1-800-544-6986

Definiciones: Símbolos y palabras de alerta de seguridad

Este manual de instrucciones utiliza los siguientes símbolos y palabras de alerta de seguridad para alertarle de situaciones peligrosas y del riesgo de lesiones corporales o daños materiales.

⚠ PELIGRO: Indica una situación de peligro inminente que, si no se evita, provocará **la muerte o lesiones graves**.

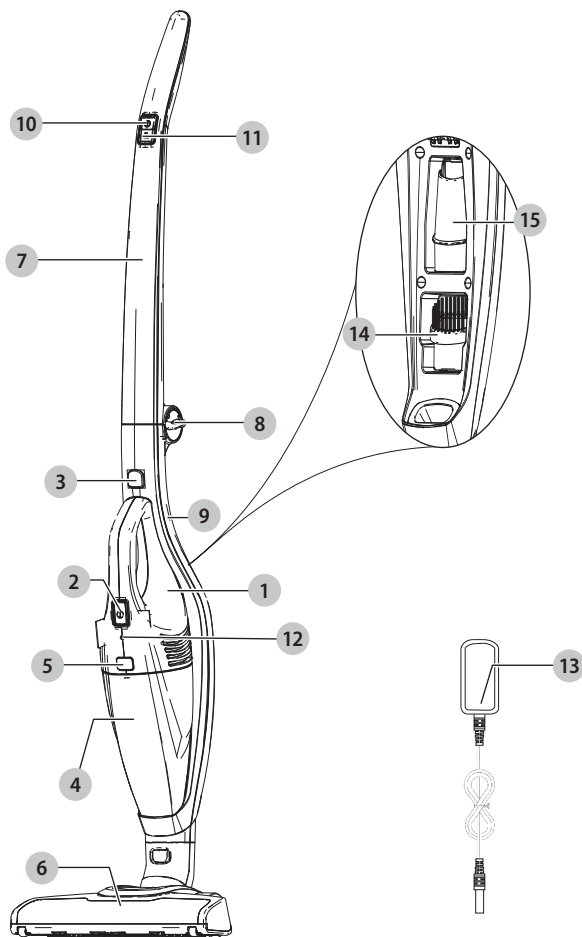
⚠ ADVERTENCIA: Indica una situación de peligro potencial que, si no se evita, **podría** provocar **la muerte o lesiones graves**.

⚠ ATENCIÓN: Indica una situación de peligro potencial que, si no se evita, **posiblemente** provocaría **lesiones leves o moderadas**.

⚠ (Utilizado sin palabras) indica un mensaje de seguridad relacionado.

AVISO: Se refiere a una práctica **no relacionada a lesiones corporales** que de no evitarse **puede** resultar en **daños a la propiedad**.

Fig. A



- 1 Aspiradora portátil
- 2 Aspiradora portátil Botón encendido/apagado
- 3 Botón de liberación de aspiradora portátil
- 4 Tazón de polvo
- 5 Botón de liberación de tazón de polvo
- 6 Cabeza de piso
- 7 Manija plegable
- 8 Liberación de manija
- 9 Chasis de aspiradora de varilla
- 10 Botón de Encendido/apagado de aspiradora de varilla
- 11 Botón de refuerzo de potencia
- 12 Luz indicadora de carga
- 13 Cargador
- 14 Herramienta de cepillo
- 15 Herramienta para fisuras



¡ADVERTENCIA! Lea todas las advertencias de seguridad e instrucciones. El incumplimiento de las advertencias e instrucciones puede provocar descargas eléctricas, incendios o lesiones graves.



ADVERTENCIA: Para reducir el riesgo de lesiones, lea el manual de instrucciones.

INSTRUCCIONES DE SEGURIDAD IMPORTANTES

Cuando use aparatos eléctricos, siempre se deben seguir las precauciones básicas, incluyendo las siguientes:

LEA TODAS LAS INSTRUCCIONES ANTES DE USAR ESTE APARATO.



ADVERTENCIA: Lea todas las advertencias de seguridad y todas las instrucciones. La falla en seguir las advertencias e instrucciones indicadas a continuación puede resultar en descarga eléctrica, incendio y/o lesiones serias.



ADVERTENCIA: Algunos polvos domésticos contienen químicos conocidos por el Estado de California que causan cáncer, y defectos de nacimiento u otros daños reproductivos tales como asbesto y plomo en pintura a base de plomo.



ADVERTENCIA: No intente modificar o reparar el aparato.



ADVERTENCIA: No cargue la batería en temperaturas ambiente menores a 39 °F (4 °C) o mayores a 104 °F (40 °C). Siga todas las instrucciones de carga y no cargue el aparato fuera del rango de temperatura especificado en las instrucciones. Cargar inadecuadamente o en una temperatura fuera del rango especificado puede dañar la batería e incrementar el riesgo de incendio.



ADVERTENCIA: Para reducir el riesgo de incendios, descarga eléctrica, o lesiones:

- Riesgo de descarga eléctrica. Para protegerse contra riesgo de descarga eléctrica, no coloque la base de carga en agua u otro líquido.
- No permita que se use como un juguete. Se necesita poner atención cuando sea usado por o cerca de niños.

- Sólo use como se describe en este manual. Sólo use conexiones recomendadas por el fabricante.
- No use con el cable o enchufe dañado. Si el aparato no funciona como debería, se ha dejado caer, se dañó, se dejó en exteriores, o se dejó caer en agua, regréselo a un centro de servicio.
- No jale o transporte por el cable, no use el cable como manija, cierre una puerta sobre el cable, o jale el cable alrededor de bordes o esquinas filosas. No opere el aparato sobre el cable. Mantenga el cable lejos de superficies calientes.
- No desconecte jalando del cable. Para desconectar, sujete el enchufe, no el cable.
- No maneje el cargador, incluyendo el enchufe del cargador, y las terminales del cargador con las manos húmedas.
- No coloque ningún objeto en las aberturas. No lo use con ninguna abertura bloqueada; manténgalo libre de polvo, pelusa, cabello y cualquier cosa que pueda reducir el flujo de aire.
- Mantenga el cabello, ropa suelta, y todas las partes del cuerpo alejados de las aberturas y partes móviles.
- Tenga cuidado adicional cuando limpie en escaleras.
- No lo use para recoger líquidos inflamables o combustibles, tales como gasolina, o en áreas donde puedan estar presentes.
- No recoja nada que esté encendido o humeando, tal como cigarrillos, cerillos, o cenizas calientes.
- No lo use sin bolsa para polvo y/o filtros en su lugar.
- No cargue la unidad en exteriores.
- Sólo use el cargador suministrado por el fabricante para recargar.
- No incinere el aparato incluso si está dañado severamente. Las baterías pueden explotar en el fuego.
- Este aparato está diseñado para uso doméstico únicamente y no para uso comercial o industrial.
- No permita que el cable cuelgue sobre el borde de una mesa o mostrador o toque superficies calientes. La unidad se debe colocar o montar lejos de tarjas y superficies calientes.
- Conecte el cargador directamente en un tomacorriente eléctrico.
- Use el cargador únicamente en un tomacorriente eléctrico estándar (120V/60Hz).
- Desconecte el cargador del tomacorriente antes de cualquier limpieza o mantenimiento de rutina.
- No vea dentro de las ventilas de aire cuando la unidad esté encendida, ya que existe una posibilidad de que se descarguen desechos pequeños de las ventilas de aire, en especial después de la limpieza / reemplazo del filtro ya que el desecho dentro de la unidad se puede mover.

Pueden ocurrir fugas de las celdas de la batería bajo condiciones extremas. Si el líquido, que es una solución de 20-35% de hidróxido de potasio, tiene contacto con la piel (1) lave rápidamente con agua y jabón o (2) neutralice con un ácido suave tal como jugo de limón o vinagre. Si el líquido

entra en los ojos, lávelos de inmediato con agua limpia por un mínimo de 10 minutos. Busque atención médica.

ADVERTENCIAS DE SEGURIDAD ADICIONALES

- a) **Evite el arranque no intencional. Asegure que el interruptor esté en la posición apagada antes de recoger o transportar el aparato.** Transportar el aparato con su dedo en el interruptor o energizar el aparato que tenga el interruptor encendido puede provocar accidentes.
- b) **Sólo recargue con el cargador especificado por el fabricante.** Un cargador que es adecuado para un tipo de paquete de batería puede crear un riesgo de incendio cuando se use con otro tipo de batería.
- c) **No use un paquete de batería que esté dañado o modificado.** Las baterías dañadas o modificadas pueden presentar comportamiento imprevisto que resulte en incendio, explosión o riesgo de lesiones.
- d) **No exponga un paquete de batería o aparato a fuego o temperatura excesiva.** La exposición a fuego o temperatura mayor a 266 °F (130 °C) puede causar una explosión.
- e) **Pida que el servicio sea realizado por una persona de reparación calificada usando únicamente partes de reemplazo idénticas.** Esto garantizará que se mantenga la seguridad del producto.
- f) **Sólo use con cargadores HSVB420 : JOD-S-180050A1 / BLJ15L180050P-U, HSVB520: JOD-S-220050A1 / BLJ15L220050P-U.**

CONSERVE ESTAS INSTRUCCIONES

SÍMBOLOS

La etiqueta de su herramienta puede incluir los siguientes símbolos. Los símbolos y sus definiciones son los siguientes:

- V.....voltios
- A.....amperios
- Hz.....hertz
- W.....vatios
- min.....minutos
- ~ o AC.....corriente alterna
- o DC.....corriente directa
- n₀.....no velocidad sin carga
- ⚠.....Construcción Clase I
- ⊕.....terminal a tierra (mis à la terre)
- ⚡.....Construcción de clase II
- ⚠.....símbolo de alerta
- ./min.....revoluciones o minuto seguridad
- Wh.....Watt Horas

ASSEMBLY

⚠ WARNING: Do not attempt to modify or repair the appliance.

ENSAMBLE

⚠ ADVERTENCIA: No intente modificar o reparar el aparato.

Uso pretendido

Su aspiradora de bastón 3 en 1 inalámbrica de ion de litio BLACK+DECKER se diseñó para propósitos de aspirado en seco ligero. Este aparato está diseñado para uso doméstico únicamente.

Ensamble (Fig. B, C)

1. Levante la manija (7) hasta que se asegure en su lugar y gire el seguro de la manija (8) a la posición de bloqueo como se muestra en la Fig. B
2. Inserte la aspiradora portátil (1) en el chasis de la aspiradora de varilla (9) como se muestra en la Fig. C, asegurándose que se conecte firmemente en su lugar.
3. Alinee la parte inferior del chasis de la aspiradora de varilla (9) con el cabezal de piso (6).
4. Empuje la parte inferior del chasis de la aspiradora de varilla (9) en el cabezal de piso (6) para que se asegure en su posición como se muestra en la Fig. C.
5. Para quitar un accesorio, primero retire la aspiradora portátil del chasis de aspiradora de varilla.
6. Jale el accesorio para extraer el chasis de aspiradora de varilla (9).
7. Para guardar un accesorio, presione el accesorio en el chasis de aspiradora de varilla (9).

⚠ ADVERTENCIA: Cuando no esté en uso, coloque la unidad con la parte trasera de aspirado viendo a una pared de forma que cualquier caída inadvertida de la unidad haga contacto con la pared y no con personas o mascotas.

Fig. B

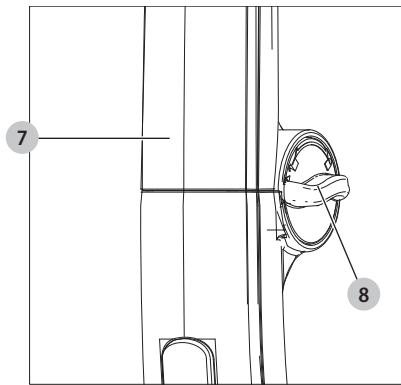
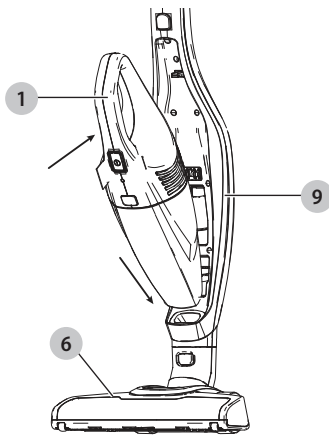


Fig. C



Carga de la batería (Fig. D)

⚠ ADVERTENCIA: Sólo para uso con el cargador incluido.

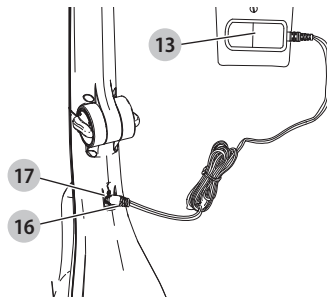
Cuando es nuevo, las celdas recargables del producto necesitan un tiempo de carga mínima de 5 horas para asegurar la energía completa.

1. Fig. D - Asegúrese que la aspiradora portátil esté acoplada firmemente en el chasis de la aspiradora de varilla.
2. Conecte el enchufe **16** del cargador **13** en el puerto de carga **17** ubicado en el chasis de aspiradora de varilla.
3. Conecte el cargador en cualquier tomacorriente de 120 Volts 60 Hz estándar.
4. El LED **3** parpadea en ROJO durante la carga normal y se vuelve VERDE por 60 segundos cuando la batería está completamente cargada.
5. El parpadeo ROJO rápido indica un paquete de batería deficiente. Póngase en contacto con su distribuidor BLACK+DECKER. Visite www.blackanddecker.com para localizar distribuidores.

Descarga de batería

1. El LED **3** es VERDE cuando se descarga.
2. El LED parpadea en VERDE cuando la carga de la batería es baja.
3. El LED parpadea en ROJO por 10 segundos cuando la batería está completamente descargada.
4. El LED parpadea en ROJO cuando el cepillo giratorio está atorado o enredado. Consulte la sección 'Desinstalación y limpieza de cepillos giratorios'.
5. Una vez que la unidad está completamente descargada, el LED **3** parpadeará en ROJO por 10 segundos cada vez que se presione el interruptor ON/OFF de la aspiradora manual o la aspiradora de varilla y la unidad no encenderá.
6. Se requiere un ciclo de carga antes que la unidad se encienda.

Fig. D



- Mientras carga, el cargador se puede calentar, esto es perfectamente normal y seguro. Es seguro dejar el aparato conectado al cargador de forma indefinida. El cargador reduce automáticamente el consumo de energía cuando la carga está completa.

⚠ ADVERTENCIA: No cargue la batería en temperaturas ambiente menores a 39 °F (4 °C) o mayores a 104 °F (40 °C). Siga todas las instrucciones de carga y no cargue el aparato fuera del rango de temperatura especificado en las instrucciones.

Extracción / Instalación de aspiradora portátil (Fig. A)

Para retirar la aspiradora portátil:

7. Presione el botón de liberación de la aspiradora portátil **3**.
8. Levante la aspiradora portátil **1** del chasis de aspiradora de varilla **9**.

Para instalar la aspiradora portátil:

9. Inserte la aspiradora portátil **1** en el chasis de la aspiradora de varilla **9** como se muestra en la Fig. C, asegurándose que se conecte firmemente en su lugar.

Encendido y apagado

Modo de aspiradora portátil

1. Para encender, presione el botón de ENCENDIDO/APAGADO **2**.
 2. Para apagar, presione el botón de ENCENDIDO/APAGADO **2**.
- NOTA:** Regrese el producto al cargador de inmediato después de cada uso de forma que esté listo y completamente cargado para el siguiente uso. Asegúrese que el producto esté completamente conectado con el enchufe del cargador.

Modo de aspiradora de varilla

1. Para encender, presione el botón de ENCENDIDO/APAGADO de la aspiradora de varilla **10**.
 2. Para aumentar la potencia, presione el botón de aumento de potencia **11**.
- NOTA:** Al presionar el botón de aumento de potencia más de una vez, se alternará la potencia de los cepillos giratorios de normal a reforzado.
3. Para apagar, presione el botón de ENCENDIDO/APAGADO de la aspiradora de varilla **10**.

NOTA: Regrese el producto al cargador de inmediato después de cada uso de forma que esté listo y completamente cargado para el siguiente uso. Asegúrese que el producto esté completamente conectado con el enchufe del cargador.

Accesorios de aspiradora portátil (Fig. E)

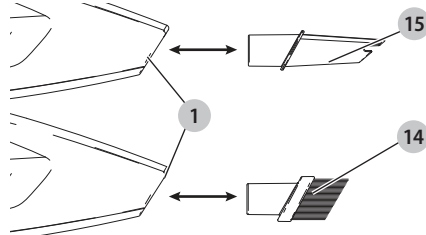
Su aspiradora portátil puede suministrarse con algunos de los siguientes accesorios:

- La herramienta de cepillo **14** está diseñada para una limpieza más efectiva de muebles tapizados y telas.
- La herramienta para grietas **15** permite aspirar en lugares estrechos y difíciles de alcanzar.

Conexión

1. Inserte el accesorio apropiado en la parte frontal de la aspiradora portátil **1** como se muestra en la Figura E.
2. Asegúrese que el accesorio esté completamente insertado.

Fig. E



Recolección seca

Para derrames cotidianos de material seco.

- No llene el recipiente para el polvo **4** más allá del extremo del conducto de entrada.

Optimización de fuerza de succión

Para mantener la fuerza de succión optimizada, los filtros deben limpiarse regularmente durante el uso.

Vaciado y limpieza

Extracción del tazón para polvo y filtro (Fig. F, G)

ADVERTENCIA: El filtro es reutilizable y debe limpiarse regularmente.

1. Presione el botón de liberación del tazón de polvo **5** y jale el tazón de polvo **4** hacia afuera como se muestra en la Fig. F.
2. Mientras sostiene el tazón para polvo sobre un bote de basura, saque el ensamble del filtro **18** para vaciar el contenido.
3. Gire el filtro **19** en sentido contrario a las manecillas del reloj para desbloquearlo y retirarlo del pre-filtro **20**. Retire con cuidado los residuos.

4. Vuelva a montar el ensamble del filtro limpio e insértelo en el tazón de polvo.
5. Para reemplazar el recipiente para el polvo, empújelo nuevamente en la aspiradora portátil hasta que se asegure firmemente en su lugar.

ADVERTENCIA: Nunca use el aparato sin los filtros. La recolección óptima de polvo sólo se logrará con un filtro limpio.

Fig. F

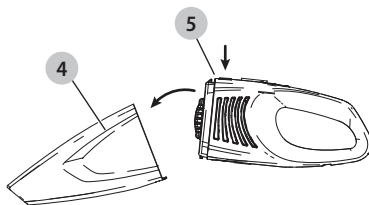
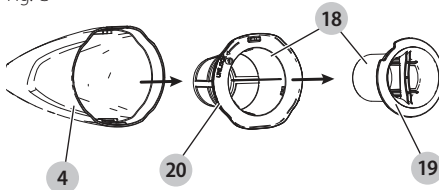


Fig. G



Limpieza de tazón de polvo y filtro

El recipiente para polvo **4**, pre-filtro **20** y el filtro **19** se pueden lavar con agua tibia y jabón.

1. Asegúrese que el pre-filtro **20**, filtro **19** y el tazón para polvo **4** estén completamente secos antes de la instalación.

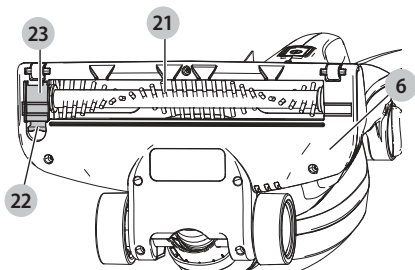
Retiro y limpieza de cepillos giratorios (Fig. H)

PRECAUCIÓN: Para reducir el riesgo de lesiones a partir de partes móviles, desconecte el cabezal de piso de la aspiradora antes limpiar o dar servicio.

- Para retirar el cepillo giratorio **21**, presione y levante la lengüeta de plástico **22** en el sujetador giratorio **23** para separarla del cabezal de piso **6**.
- Levante el cepillo giratorio **21** fuera del cabezal de piso. Limpie los cepillos de pelo u otros residuos que puedan haberse acumulado.

Reemplace el cepillo giratorio y asegure el sujetador giratorio antes de usar la aspiradora.

Fig. H



Reemplazo de filtros

Los filtros deben reemplazarse cada 6 a 9 meses y siempre que estén desgastados o dañados. Los filtros de repuesto están disponibles en su distribuidor BLACK+DECKER.

Visite www.blackanddecker.com para localizar distribuidores.

- Retire los filtros viejos como se describe en **Limpieza de los filtros**.
- Ajuste los nuevos filtros como se describe en **Limpieza de los filtros**.

(cat. no: SVFK10)

MANTENIMIENTO

Use sólo jabón suave y una tela húmeda para limpiar la aspiradora. Nunca permita que entre líquido a la aspiradora; nunca sumerja ninguna parte de la aspiradora en líquido.

ADVERTENCIA: Asegúrese que la aspiradora esté completamente seca antes de usarla.

IMPORTANTE: Para garantizar la SEGURIDAD y CONFIABILIDAD del producto, las reparaciones, mantenimiento y ajuste (diferentes a las indicadas en este manual) sólo deben realizar por centros de servicio autorizados u otras organizaciones de servicio calificado, utilizando siempre partes de reemplazo idénticas.

SOLUCIÓN DE PROBLEMAS

Si el producto no funciona, revise lo siguiente:

- El cargador se conectó correctamente para recarga. (Se siente ligeramente caliente al tacto.)
- El cable del cargador no está dañado y está conectado correctamente.
- El cargador está conectado en un tomacorriente eléctrico que funciona.
- El interruptor está en la posición "OFF" (apagado) cuando carga.

Si el rendimiento de la aspiradora es deficiente, verifique lo siguiente:

- Limpie los filtros. (Consulte la sección "Limpieza y vaciado de la aspiradora").
- Vacíe el depósito de polvo. (Consulte la sección "Limpieza y vaciado de la aspiradora").
- Limpie los cepillos giratorios. (Consulte la sección "Extracción y limpieza de cepillos giratorios").

El LED rojo parpadea continuamente, conecte el cargador y realice un ciclo de recarga. Solamente para Propósitos de México

Para conocer la ubicación del centro de servicio más cercano a fin de recibir ayuda con su producto, visite nuestro sitio Web www.blackanddecker.com.mx o llame a la línea de ayuda BLACK+DECKER al **01 800 847 2309/01 800 847 2312**.

ACCESORIOS

Los accesorios recomendados para uso con el artefacto están disponibles en su distribuidor o centro de mantenimiento autorizado local. Si necesita ayuda con respecto a los accesorios, llame al: **1-800-544-6986**.



ADVERTENCIA: El empleo de cualquier accesorio no recomendado para uso con este artefacto puede ser peligroso.

INFORMACIÓN DE MANTENIMIENTO

Todos los Centros de servicio de BLACK+DECKER cuentan con personal altamente capacitado dispuesto a brindar a todos los clientes un servicio eficiente y confiable en la reparación de herramientas eléctricas. Si necesita consejo técnico, reparaciones o piezas de repuesto originales de fábrica, póngase en contacto con el centro de servicio de BLACK+DECKER más cercano a su domicilio. Para ubicar su centro de servicio local, llame al 1-800-544-6986 o visite nuestro sitio www.blackanddecker.com.

GARANTÍA LIMITADA DE DOS AÑOS

Black & Decker (U.S.) Inc. garantiza que este producto está libre de defectos de material o mano de obra durante un período de dos (2) años desde la fecha de compra, siempre y cuando el producto se utilice en un entorno doméstico.

Esta garantía limitada no cubre contra fallas debidas a mal uso, daño accidental o cuando se han realizado o intentado reparaciones por parte de cualquier otra persona ajena a BLACK+DECKER y sus centros de mantenimiento autorizados. Un producto defectuoso que cumple con las condiciones de la garantía establecidas en el presente documento será reemplazado o reparado sin costo de una dos maneras:

La primera, que únicamente dará lugar a intercambios, consiste en devolver el producto al comerciante minorista donde fue comprado (siempre y cuando la tienda sea un comerciante minorista participante). Las devoluciones deben realizarse dentro del período establecido en la política para intercambios del comerciante minorista.

Es posible que se requiera el comprobante de compra.

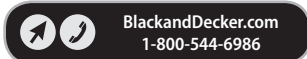
Consulte al comerciante minorista sobre su política específica de devoluciones con respecto a los límites de tiempo para devoluciones o intercambios.

La segunda opción es llevar o enviar (pagado por adelantado) el producto a un centro de mantenimiento de propiedad o con autorización de BLACK+DECKER para su reparación o reemplazo a discreción de BLACK+DECKER. Es posible que se requiera un comprobante de compra. Los centros de mantenimiento de propiedad o con autorización de BLACK+DECKER en línea en www.blackanddecker.com.

Esta garantía no se aplica a los accesorios. Esta garantía le otorga derechos legales específicos y es posible que tenga otros derechos que varían de un estado a otro. En caso de que tenga alguna pregunta, comuníquese con el gerente del centro de mantenimiento de BLACK+DECKER más cercano a usted. Este producto no está diseñado para uso comercial y, en consecuencia, dicho uso comercial de este producto anulará la garantía. Por medio del presente documento, se declina la responsabilidad de todas las demás garantías, explícitas o implícitas.

AMÉRICA LATINA: Esta garantía no se aplica a productos vendidos en América Latina. Para los productos que se venden en América Latina, consulte la información de garantía específica del país contenida en el empaque, llame a la compañía local o visite el sitio web para obtener dicha información.

Importado por Black & Decker (U.S.) Inc.,
701 E. Joppa Rd.
Towson, MD 21286



SOLAMENTE PARA PROPOSITOS DE MEXICO

**Grupo Realsa en herramientas,
S.A. de C.V.**

Súper Manzana 69 MZ.01 Lote 30
(Av. Torcasita)
Col. Puerto Juárez
Cancún, Quintana Roo
Tel. 01 998 884 72 27

Ferre Pat de Puebla, S.A. de C.V.

16 de Septiembre No. 6149
Col. El Cerrito
Puebla, Puebla
Tel. 01 222 264 12 12

Ferre Pat de Puebla, S.A. de C.V.

Ejército Mexicano No. 15
Col. Ejido 1ro. de Mayo
Boca del Rio, Veracruz
Tel. 01 229 167 89 89

**Servicio de Fabrica BLACK+DECKER,
S.A. de C.V.**

Lázaro Cardenas No. 18
Col. Obrera
Distrito Federal
Tel. 55 88 95 02

**Representaciones Industriales Robles, S.A. de
C.V.**

Tezozomoc No. 89
Col. La Preciosa
Distrito Federal
Tel. 55 61 86 82

**Gpo. Comercial de Htas. y Refacciones de
Occidente, S.A. de C.V.**

Av. La Paz No. 1779
Col. Americana, S. Juárez
Guadalajara, Jalisco
Tel. 01 33 38 25 69 78

Herramientas y Equipos Profesionales

Av. Colón 2915 Ote.
Col. Francisco I. Madero
Monterrey, Nvo. León
Tel. 01 81 83 54 60 06

**Htas. Portátiles de Chihuahua,
S.A. de C.V.**

Av. Universidad No. 2903
Col. Fracc. Universidad
Chihuahua, Chihuahua
Tel. 01 614 413 64 04

Fernando González Armenta

Bolivia No. 605
Col. Felipe Carrillo Puerto
Cd. Madero, Tamaulipas
Tel. 01 833 221 34 50

Perfiles y Herramientas de Morelia

Gertrudis Bocanegra No. 898
Col. Ventura Puente
Morelia, Michoacán
Tel. 01 443 313 85 50

Enrique Robles

Av. de la Solidaridad No. 12713
Col. La Pradera
Irapuato, Guanajuato
Tel. 01 462 626 67 39

Hernández Martínez Jeanette

Prolongación Corregidora Nte. No. 1104
Col. Arboledas
Queretaro, Qro.
Tel. 01 442 245 25 80

PARA OTRAS LOCALIDADES LLAME AL 01 800 847 2309 o 01 800 847 2312.

BLACK & DECKER S.A. DE C.V.
BOSQUES DE CIDROS ACCESO RADIATAS NO. 42
COL. BOSQUES DE LAS LOMAS.
05120 MÉXICO, D.F.
TEL. (01 55) 5326 7100
01 800 847 2309/01 800 847 2312

Black & Decker (U.S.) Inc.
701 East Joppa Road, Towson, MD 21286
Part No. N663684 rev01
HSVB420J, HSVB520J
FEB 2019

Copyright © 2019 BLACK+DECKER