

This Owner's Manual is provided and hosted by [Appliance Factory Parts](#).



# Blackstone BSV2020 Owner's Manual

[Shop genuine replacement parts for Blackstone  
BSV2020](#)



[Find Your Blackstone Vacuum Cleaner Parts - Select From 1 Models](#)

----- Manual continues below -----

# **BLACK+** **DECKER**™

**INSTRUCTION MANUAL**  
**MODE D'EMPLOI**  
**MANUAL DE INSTRUCCIONES**

**20V MAX\* 3 IN 1 CORDLESS VACUUM**  
**ASPIRATEUR SANS FIL 3 EN 1 20 V MAX\***  
**ASPIRADORA INALÁMBRICA 3 EN 1 20V MÁX\***

**BSV2020**  
**BSV2020A**  
**BSV2020P**

**Please read before returning this product for any reason.**  
**À lire avant de retourner ce produit pour quelque raison que ce soit.**  
**Lea el manual antes de devolver este producto por cualquier motivo.**

---

English (*original instructions*) 1

---

Français (*traduction de la notice d'instructions originale*) 12

---

Español (*traducido de las instrucciones originales*) 24

---

**Thank you for choosing BLACK+DECKER!**

If you have a question or experience a problem with your BLACK+DECKER purchase, go to: <http://www.blackanddecker.com/instantanswers>

If you can't find the answer or do not have access to the Internet, call 1-800-544-6986 from 8 a.m. to 5 p.m. EST Mon. - Fri. to speak with an agent. Please have the CATALOG NUMBER available when you call.

To register your new product, visit  
[www.BlackandDecker.com/NewOwner](http://www.BlackandDecker.com/NewOwner)

Consulter le site Web [www.BlackandDecker.com/NewOwner](http://www.BlackandDecker.com/NewOwner)  
pour enregistrer votre nouveau produit.

Visite [www.BlackandDecker.com/NewOwner](http://www.BlackandDecker.com/NewOwner) para registrar su  
nuevo producto.

## DEFINITIONS: SAFETY ALERT SYMBOLS AND WORDS

This instruction manual uses the following safety alert symbols and words to alert you to hazardous situations and your risk of personal injury or property damage.

**⚠ DANGER:** Indicates an imminently hazardous situation which, if not avoided, will result in death or serious injury.

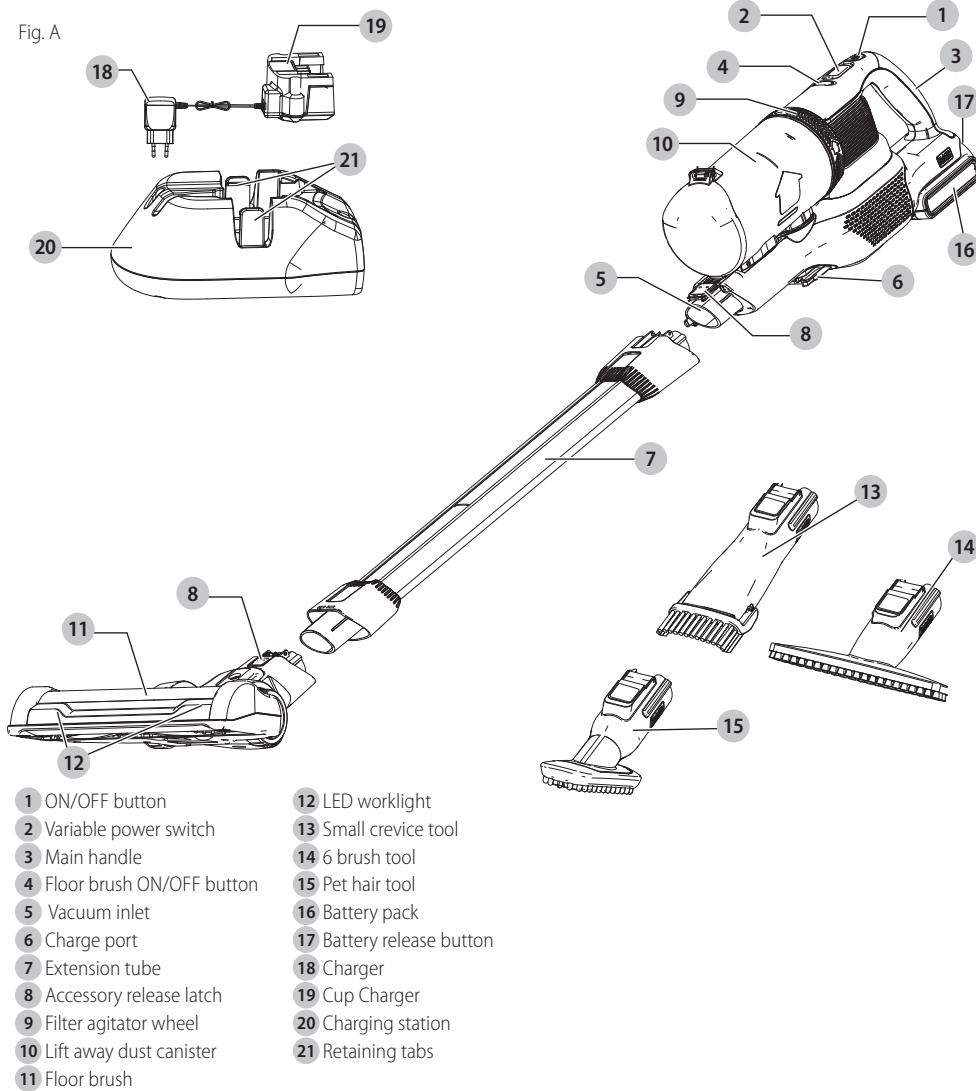
**⚠ WARNING:** Indicates a potentially hazardous situation which, if not avoided, could result in death or serious injury.

**⚠ CAUTION:** Indicates a potentially hazardous situation which, if not avoided, may result in minor or moderate injury.

**⚠ (Used without word)** Indicates a safety related message.

**NOTICE:** Indicates a practice not related to personal injury which, if not avoided, may result in property damage.

Fig. A





**WARNING!** Read all safety warnings and all instructions. Failure to follow the warnings and instructions may result in electric shock, fire and/or serious injury.



**WARNING:** To reduce the risk of injury, read the instruction manual.

## IMPORTANT SAFETY INSTRUCTIONS

When using an electrical appliances, basic precautions should always be followed, including the following:

### READ ALL INSTRUCTIONS BEFORE USING THIS APPLIANCE.



**WARNING:** Read all safety warnings and all instructions. Failure to follow the warnings and instructions listed below may result in electric shock, fire and/or serious injury.



**WARNING:** Some household dust contains chemicals known to the State of California to cause cancer, birth defects or other reproductive harm such as asbestos and lead based paint.



**WARNING:** Do not attempt to modify or repair the appliance.



**WARNING:** Do not charge the battery at ambient temperatures below 39 °F (4 °C) or above 104 °F (40 °C). Follow all charging instructions and do not charge the appliance outside of the temperature range specified in the instructions. Charging improperly or at temperatures outside of the specified range may damage the battery and increase risk of fire.



**WARNING:** To reduce the risk of fire, electrical shock or injury:

- Shock Hazard. To protect against risk of electrical shock, do not put charging base in water or other liquid.
- Do not allow to be used as a toy. Close attention is necessary when used by or near children.
- Use only as described in this manual. Use only manufacturer's recommended attachments.
- Do not use with damaged cord or plug. If appliance is not working as it should, has been dropped, damaged, left outdoors, or dropped into water, return it to a service center.

- Do not pull or carry by cord, use cord as a handle, close a door on cord, or pull cord around sharp edges or corners. Do not run appliance over cord. Keep cord away from heated surfaces.
- Do not unplug by pulling on cord. To unplug, grasp the plug, not the cord.
- Do not handle charger, including charger plug, and charger terminals with wet hands.
- Do not put any object into openings. Do not use with any opening blocked; keep free of dust, lint, hair, and anything that may reduce air flow.
- Keep hair, loose clothing, fingers, and all parts of body away from openings and moving parts.
- Use extra care when cleaning on stairs.
- Do not use to pick up flammable or combustible liquids, such as gasoline, or use in areas where they may be present.
- Do not pick up anything that is burning or smoking, such as cigarettes, matches, or hot ashes.
- Do not use without dust bag and/or filters in place.
- Do not charge the unit outdoors.
- Use only the charger supplied by the manufacturer to recharge.
- Do not incinerate the appliance even if it is severely damaged. The batteries can explode in a fire.
- This appliance is intended for household use only and not for commercial or industrial use.
- Do not allow the cord to hang over the edge of a table or counter or touch hot surfaces. The unit should be placed or mounted away from sinks and hot surfaces.
- Plug the charger directly into an electrical outlet.
- Use the charger only in a standard electrical outlet (120V/60Hz).
- Unplug the charger from outlet before any routine cleaning or maintenance.
- Do not look into the air vents when the unit is switched on, as sometimes there is a possibility of small debris being discharged from the air vents, especially after cleaning / replacement of the filters as debris inside the unit can be disturbed.
- Leaks from battery cells can occur under extreme conditions. If the liquid, which is a 20-35% solution of potassium hydroxide, gets on the skin (1) wash quickly with soap and water or (2) neutralize with a mild acid such as lemon juice or vinegar. If the liquid gets into the eyes, flush them immediately with clean water for a minimum of 10 minutes. Seek medical attention.


### ADDITIONAL SAFETY WARNINGS

- a) **Prevent unintentional starting. Ensure the switch is in the off-position before picking up or carrying the appliance.** Carrying the appliance with your finger on the switch or energizing appliance that have the switch on invites accidents.
- b) **Disconnect the battery pack from the appliance before making any adjustments, changing accessories, or storing appliance.** Such preventive safety measures reduce the risk of starting the appliance accidentally.

- c) **Recharge only with the charger specified by the manufacturer.** A charger that is suitable for one type of battery pack may create a risk of fire when used with another battery pack.
- d) **Use appliance only with specifically designed battery packs.** Use of any other battery packs may create a risk of injury and fire.
- e) **When battery pack is not in use, keep it away from other metal objects, like paper clips, coins, keys, nails, screws or other small metal objects, that can make a connection from one terminal to another.** Shorting the battery terminals together may cause burns or a fire.
- f) **Under abusive conditions, liquid may be ejected from the battery; avoid contact. If contact accidentally occurs, flush with water. If liquid contacts eyes, additionally seek medical help.** Liquid ejected from the battery may cause irritation or burns.
- g) **Do not use a battery pack or appliance that is damaged or modified.** Damaged or modified batteries may exhibit unpredictable behavior resulting in fire, explosion or risk of injury.
- h) **Do not expose a battery pack or appliance to fire or excessive temperature.** Exposure to fire or temperature above 266 °F (130 °C) may cause explosion.
- i) **Follow all charging instructions and do not charge the battery pack or appliance outside of the temperature range specified in the instructions. Charging improperly or at temperatures outside of the specified range may damage the battery and increase the risk of fire.**
- j) **Have servicing performed by a qualified repair person using only identical replacement parts.** This will ensure that the safety of the product is maintained.
- k) **Do not modify or attempt to repair the appliance or the battery pack except as indicated in the instructions for use and care.**

## SAVE THESE INSTRUCTIONS

### Important Safety Instructions for All Battery Packs

-  **WARNING:** Read all safety warnings and all instructions for the battery pack, charger and power tool. Failure to follow the warnings and instructions may result in electric shock, fire and/or serious injury.
- **Do not charge or use the battery pack in explosive atmospheres, such as in the presence of flammable liquids, gases or dust.** Inserting or removing the battery pack from the charger may ignite the dust or fumes.
- **NEVER force the battery pack into the charger. DO NOT modify the battery pack in any way to fit into a non-compatible charger as battery pack may rupture causing serious personal injury.** Consult

the chart at the end of this manual for compatibility of batteries and chargers.

- Charge the battery packs only in designated BLACK+DECKER chargers.
- **DO NOT** splash or immerse in water or other liquids.
- **Do not store or use the tool and battery pack in locations where the temperature may reach or exceed 104 °F (40 °C) (such as outside sheds or metal buildings in summer).** For best life store battery packs in a cool, dry location.
- **NOTE: Do not store the battery packs in a tool with the trigger switch locked on. Never tape the trigger switch in the ON position.**
- **Do not incinerate the battery pack even if it is severely damaged or is completely worn out.** The battery pack can explode in a fire. Toxic fumes and materials are created when lithium ion battery packs are burned.
- **If battery contents come into contact with the skin, immediately wash area with mild soap and water.** If battery liquid gets into the eye, rinse water over the open eye for 15 minutes or until irritation ceases. If medical attention is needed, the battery electrolyte is composed of a mixture of liquid organic carbonates and lithium salts.
- **Contents of opened battery cells may cause respiratory irritation.** Provide fresh air. If symptoms persist, seek medical attention.



**WARNING:** Burn hazard. Battery liquid may be flammable if exposed to spark or flame.



**WARNING:** Fire hazard. Never attempt to open the battery pack for any reason. If the battery pack case is cracked or damaged, do not insert into the charger. Do not crush, drop or damage the battery pack. Do not use a battery pack or charger that has received a sharp blow, been dropped, run over or damaged in any way (e.g., pierced with a nail, hit with a hammer, stepped on). Damaged battery packs should be returned to the service center for recycling.

### Transportation



**WARNING:** Fire hazard. Do not store or carry the battery pack so that metal objects can contact exposed battery terminals. For example, do not place the battery pack in aprons, pockets, tool boxes, product kit boxes, drawers, etc., with loose nails, screws, keys, etc. **Transporting batteries can possibly cause fires if the battery terminals inadvertently come in contact with conductive materials such as keys, coins, hand tools and the like.** The US Department of Transportation Hazardous Material Regulations (HMR) actually prohibit transporting batteries in commerce or on airplanes in carry-on baggage UNLESS they are properly protected from short circuits. So when transporting individual battery packs, make sure that the battery terminals are protected and well insulated from materials that could contact them and cause a short circuit.

## The RBRC® Seal

The RBRC® (Rechargeable Battery Recycling Corporation) Seal on the nickel cadmium, nickel metal hydride or lithium-ion batteries (or battery packs) indicates that the costs to recycle these batteries (or battery packs) at the end of their useful life have already been paid by BLACK+DECKER. In some areas, it is illegal to place spent nickel cadmium, nickel metal hydride or lithium-ion batteries in the trash or municipal solid waste stream and the Call 2 Recycle® program provides an environmentally conscious alternative.

Call 2 Recycle, Inc., in cooperation with BLACK+DECKER and other battery users, has established the program in the United States and Canada to facilitate the collection of spent nickel cadmium, nickel metal hydride or lithium-ion batteries. Help protect our environment and conserve natural resources by returning the spent nickel cadmium, nickel metal hydride or lithium-ion batteries to an authorized BLACK+DECKER service center or to your local retailer for recycling. You may also contact your local recycling center for information on where to drop off the spent battery. RBRC® is a registered trademark of Call 2 Recycle, Inc.



more than one extension to make up the total length, be sure each individual extension contains at least the minimum wire size. The following table shows the correct size to use depending on cord length and nameplate ampere rating. If in doubt, use the next heavier gauge. The lower the gauge number, the heavier the cord.

Minimum Gauge for Cord Sets

Volts		Total Length of Cord in Feet (meters)			
		25 (7.6)	50 (15.2)	100 (30.5)	150 (45.7)
<b>Ampere Rating</b>		<b>American Wire Gauge</b>			
<b>More Than</b>	<b>Not More Than</b>				
0	6	18	16	16	14
6	10	18	16	14	12
10	12	16	16	14	12
12	16	14	12	Not Recommended	

- **Do not place any object on top of the charger or place the charger on a soft surface that might block the ventilation slots and result in excessive internal heat.** Place the charger in a position away from any heat source. The charger is ventilated through slots in the top and the bottom of the housing.
- **Do not operate the charger with a damaged cord or plug.**
- **Do not operate the charger if it has received a sharp blow, been dropped or otherwise damaged in any way.** Take it to an authorized service center.
- **Do not disassemble the charger; take it to an authorized service center when service or repair is required.** Incorrect reassembly may result in a risk of electric shock, electrocution or fire.
- **Disconnect the charger from the outlet before attempting any cleaning. This will reduce the risk of electric shock.** Removing the battery pack will not reduce this risk.
- **NEVER** attempt to connect 2 chargers together.
- **The charger is designed to operate on standard 120V household electrical power. Do not attempt to use it on any other voltage.** This does not apply to the vehicular charger.

## Important Safety Instructions for All Battery Chargers

**⚠ WARNING:** Read all safety warnings and all instructions for the battery pack, charger and power tool. Failure to follow the warnings and instructions may result in electric shock, fire and/or serious injury.

- **DO NOT attempt to charge the battery pack with any chargers other than the ones in this manual.** The charger and battery pack are specifically designed to work together.
- **These chargers are not intended for any uses other than charging BLACK+DECKER rechargeable batteries.** Any other uses may result in risk of fire, electric shock or electrocution.
- **Do not expose the charger to rain or snow.**
- **Pull by the plug rather than the cord when disconnecting the charger.** This will reduce the risk of damage to the electric plug and cord.
- **Make sure that the cord is located so that it will not be stepped on, tripped over or otherwise subjected to damage or stress.**
- **Do not use an extension cord unless it is absolutely necessary.** Use of improper extension cord could result in risk of fire, electric shock or electrocution.
- **When operating a charger outdoors, always provide a dry location and use an extension cord suitable for outdoor use.** Use of a cord suitable for outdoor use reduces the risk of electric shock.
- **An extension cord must have adequate wire size (AWG or American Wire Gauge) for safety.** The smaller the gauge number of the wire, the greater the capacity of the cable, that is, 16 gauge has more capacity than 18 gauge. An undersized cord will cause a drop in line voltage resulting in loss of power and overheating. When using

**⚠ WARNING:** Shock hazard. Do not allow any liquid to get inside the charger. Electric shock may result.

**⚠ WARNING:** Burn hazard. Do not submerge the battery pack in any liquid or allow any liquid to enter the battery pack. Never attempt to open the battery pack for any reason. If the plastic housing of the battery pack breaks or cracks, return to a service center for recycling.

**⚠ CAUTION:** Burn hazard. To reduce the risk of injury, charge only BLACK+DECKER rechargeable battery packs. Other types of batteries may overheat and burst resulting in personal injury and property damage.

**NOTICE:** Under certain conditions, with the charger plugged into the power supply, the charger can be shorted by foreign material. Foreign materials of a conductive nature, such as, but not limited to, grinding dust, metal chips, steel wool, aluminum foil or any buildup of metallic particles should be kept away from the charger cavities. Always unplug the charger from the power supply when there is no battery pack in the cavity. Unplug the charger before attempting to clean.

## Charging a Battery

BLACK+DECKER chargers are designed to charge BLACK+DECKER battery packs.

**NOTE:** To ensure maximum performance and life of lithium ion battery packs:

- **Charge the battery pack fully before first use.**
- **Recharge discharged batteries as soon as possible after every use.**
- **Do not discharge batteries fully.**

The supplied charger offers three possible ways to charge your battery.

- Cup charging
- Wall mounted cup charging
- Unit wall mounted charging

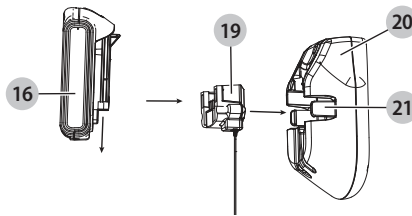
## Standard cup charging (Fig. B)

1. Plug the charger into an appropriate outlet before inserting the battery pack **16**.
2. Insert the battery pack into the cup charger **19**.
3. The green LED will flash indicating that the battery is being charged.
4. The completion of charge is indicated by the green LED remaining on continuously. The pack is fully charged and may be used at this time or left on the charger.

## Wall mounted battery charging (Fig. B)

1. Mark the location of the charging station screw holes on the wall (within reach of an electrical outlet for charging the vacuum while it is on the charging station **20**).
2. Secure the charging station **20** to the wall using appropriate screws and plugs for the type of wall, and weight of the appliance.
3. Install the cup charger into the charging station (Fig. B). Ensure it is locked into place before proceeding.  
**NOTE:** To remove the cup charger from the charging base pull out on the retaining tabs **21** and lift the cup charger **19** out.
4. Plug the charger into an appropriate outlet before inserting the battery pack.
5. Slide the battery pack **16** onto the charging station.

Fig. B

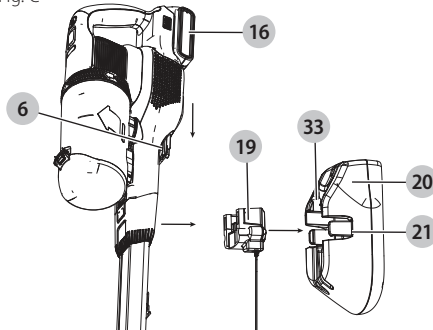


## Wall mounted vacuum storage and battery charging (Fig. C)

The product can be attached to a wall to provide a convenient storage and charging point for the appliance. When mounting to a wall, make sure the mounting method is suitable for the wall type and is appropriate to the weight of the appliance.

1. Mark the location of the charging station screw holes on the wall (at a height that allows the unit to hang without hitting the floor and within reach of an electrical outlet for charging the vacuum while it is on the charging station **20**).
2. Fix the charging station **20** to the wall using appropriate screws and plugs for the type of wall, and weight of the appliance.
3. Install the cup charger **19** into the charging station (Fig. C.). Ensure it is locked into place before proceeding.  
**NOTE:** To remove the cup charger from the charging base pull out on the retaining tabs **21** and lift the cup charger out.
4. Plug the charger into an appropriate outlet.
5. With the battery **16** installed on the vacuum slide the charge port **6**, located on the vacuum base, onto the slots **33** of the charging station.
6. The white LED on the vacuum will flash indicating that the battery is being charged.
7. The white LEDs will illuminate in segments, displaying the state of charge in the battery.
8. The completion of charge is indicated by the white LEDs will turn off. The pack is fully charged and may be used at this time or left on the charger.

Fig. C



## Leaving the battery in the charger

The charger and battery pack can be left connected indefinitely.

## Charger Cleaning Instructions

**⚠ WARNING:** *Shock hazard. Disconnect the charger from the AC outlet before cleaning. Dirt and grease may be removed from the exterior of the charger using a cloth or soft non-metallic brush. Do not use water or any cleaning solutions.*

## Important Charging Notes

1. Longest life and best performance can be obtained if the battery pack is charged when the air temperature is between 65 °F and 75 °F (18 °–24 °C). DO NOT charge the battery pack in an air temperature below +40 °F (+4.5 °C), or above +104 °F (+40 °C). This is important and will prevent serious damage to the battery pack.
2. The charger and battery pack may become warm to the touch while charging. This is a normal condition, and does not indicate a problem. To facilitate the cooling of the battery pack after use, avoid placing the charger or battery pack in a warm environment such as in a metal shed or an uninsulated trailer.
3. If the battery pack does not charge properly:
  - a. Check operation of receptacle by plugging in a lamp or other appliance;
  - b. Check to see if receptacle is connected to a light switch which turns power off when you turn out the lights;
  - c. Move the charger and battery pack to a location where the surrounding air temperature is approximately 65 °F–75 °F (18 °–24 °C);
  - d. If charging problems persist, take the tool, battery pack and charger to your local service center.
4. The battery pack should be recharged when it fails to produce sufficient power on jobs which were easily done previously. DO NOT CONTINUE to use under these conditions. Follow the charging procedure. You may also charge a partially used pack whenever you desire with no adverse effect on the battery pack.
5. Foreign materials of a conductive nature such as, but not limited to, grinding dust, metal chips, steel wool, aluminum foil, or any buildup of metallic particles should be kept away from charger cavities. Always unplug the charger from the power supply when there is no battery pack in the cavity. Unplug the charger before attempting to clean.
6. Do not freeze or immerse the charger in water or any other liquid.

## Storage Recommendations

1. The best storage place is one that is cool and dry, away from direct sunlight and excess heat or cold.
2. For long storage, it is recommended to store a fully charged battery pack in a cool dry place out of the charger for optimal results.

**NOTE:** Battery packs should not be stored completely depleted of charge. The battery pack will need to be recharged before use.

### SAVE THESE INSTRUCTIONS FOR FUTURE USE

## SYMBOLS

The label on your tool may include the following symbols. The symbols and their definitions are as follows:

V .....	volts
A .....	amperes
Hz .....	hertz
W .....	watts
min .....	minutes
~ or AC .....	alternating current
—=— or DC .....	direct current
n <sub>0</sub> .....	no load speed
Ⓢ .....	Class I Construction (grounded)
Ⓢ .....	earthing terminal
⚠ .....	safety alert symbol
Ⓢ .....	Class II Construction (double insulated)
.../min or rpm .....	revolutions or reciprocation per minute
Wh .....	Watt Hours

## Assembly

**⚠ WARNING:** *Do not attempt to modify or repair the appliance.*

## Intended use

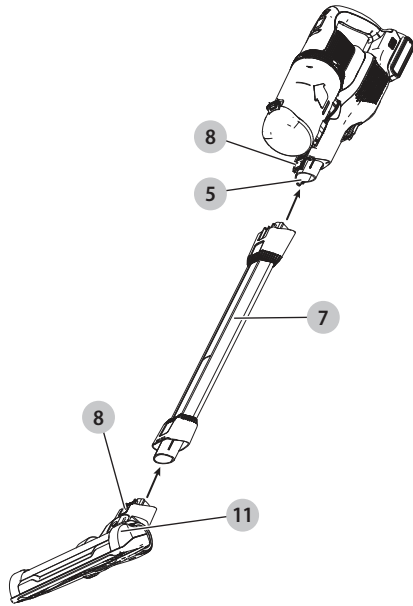
Your BLACK+DECKER 20V Max\* cordless 3 in 1 stick vacuum cleaner has been designed for dry vacuuming purposes. This appliance is intended for household use only.

## Assembly (Fig. D)

1. Align the top of the extension tube **7** with the vacuum inlet **5** as shown in Fig. D.
2. Push the extension tube **7** onto the vacuum inlet **5** so it locks into position.
3. Align the bottom of the extension tube **7** with the floor brush **11** as shown in Fig. D.
4. Push the bottom of the extension tube **7** onto the floor brush **11** so it locks into position.
5. To remove an accessory, press the accessory release latch **8** located on the vacuum inlet or the bottom of the extension tube and gently pull the connected accessory off.

**! WARNING:** When not in use position the unit with the rear of the vacuum facing a wall so that any inadvertent fall of the unit would contact a wall and not people or pets.

Fig. D



## Operation

**! WARNING:** To reduce the risk of serious personal injury, turn unit off and disconnect it from power source remove the battery pack before making any adjustments or removing/installing attachments or accessories. An accidental start-up can cause injury.

### Installing and Removing the Battery Pack (Fig. A)

**NOTE:** For best results, make sure your battery pack is fully charged.

To install the battery pack **16** into the tool handle, align the battery pack with the rails inside the tool's handle and slide it into the handle until the battery pack is firmly seated in the tool and ensure that it does not disengage.

To remove the battery pack from the tool, press the release button **17** and firmly pull the battery pack out of the tool handle. Insert it into the charger as described in the charger section of this manual.

## Use

This vacuum cleaner can be used in one of four ways.

- With the extension tube **7** and the floor brush **11** . (Fig. E)
- With the floor brush **11** . (Fig. F)
- With the extension tube **7** and an accessory tool **13** , **14** , **15** . (Fig. G)
- With an accessory tool **13** , **14** , **15** . (Fig. H)

Fig. E

Fig. F

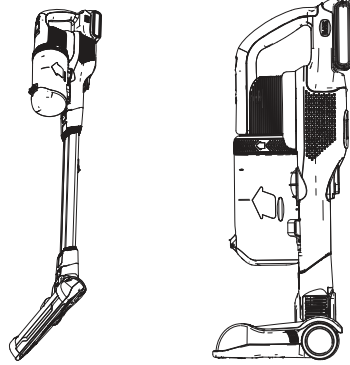
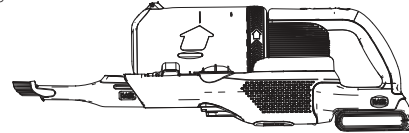


Fig. G



Fig. H



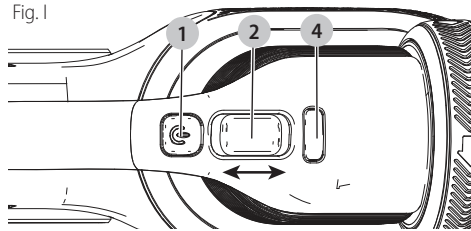
### Switching ON and OFF (Fig. A, I)

- To switch ON, press the ON/OFF button **1**.
- For increased power, slide the variable power switch **2** forward.  
**NOTE:** The state of charge indicator LEDs will illuminate while the vacuum is ON.
- To switch OFF, press the ON/OFF button **1** a second time.
- Return the product to the charger immediately after use so that it will be ready and fully charged for the next use. Ensure that the product is fully engaged with the charger plug.

### Switching the floor brush OFF and ON (Fig. I)

- To switch the floor brush OFF, press the Floor brush ON/OFF button **4**.
- To switch the floor brush ON, press the floor brush ON/OFF button **4** a second time.  
**NOTE:** The LED worklights **12** will illuminate whenever the floor brush is switched ON.

Fig. I



**State of charge indicator**

This appliance includes a state of charge indicator which consists of three white LED lights that indicate the level of charge remaining in the battery. This feature is only activated when the vacuum is powered on or during a charge cycle.

The state of charge indicator is an indication of approximate levels of charge remaining in the battery pack according to the following indicators:

The LED battery indicator displays the remaining charge and warns you when the battery is low. The final LED will flash continuously when there is only 1 minute of runtime remaining. All LEDs will flash when the unit is discharged.

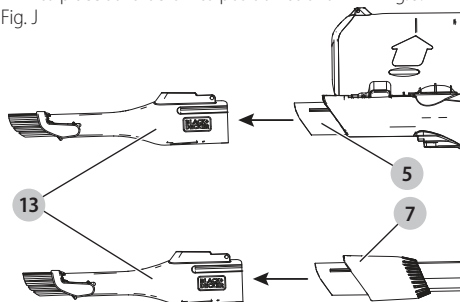
**NOTE:** The state of charge indicator is only an indication of the charge left on the battery. It does not indicate tool functionality and is subject to variation based on product components, temperature and end-user application.

**Using an Accessory tool (Fig. J)**

Your vacuum may come with some of the following tools.

- Small crevice tool.
- 6 Brush tool.
- Pet hair tool.
- The accessory tool **13**, **14**, **15** can be fitted either directly to the extension tube **7** or to the vacuum inlet **5** as shown in Fig. J.
- Align the top of the accessory tool **13**, **14**, **15** with the vacuum inlet **5** or extension tube **7** and push into place so it locks into position as shown in Fig. J.

Fig. J



**Cleaning and emptying the vacuum**

**⚠ WARNING:** *Projectile/Respiratory Hazard: Never use the vac without its filter.*

**NOTE:** The filter is re-usable, do not confuse it with a disposable dust bag, and do not throw it away when the

product is emptied. We recommend that you replace the filter every 6–9 months depending on frequency of use. There are two methods of cleaning the canister, a quick empty method and a thorough clean method.

**To empty the dust canister (Fig. K, L)**

- Lift and remove the lift away dust canister **10** from the chassis **23** as shown in Figure K.
- Place the dust canister over a trash bin and press the dust canister lid release button **24** to empty the dust canister as shown in Figure L.
- Close the dust canister lid **25**, until it clicks firmly into position.
- Install the lift away dust canister **10** back onto the chassis **23**.

Fig. K

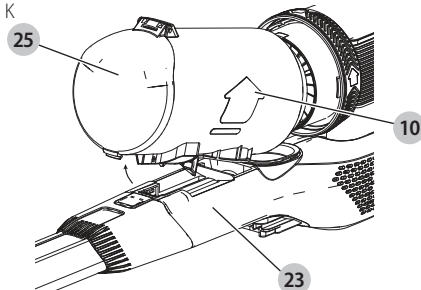
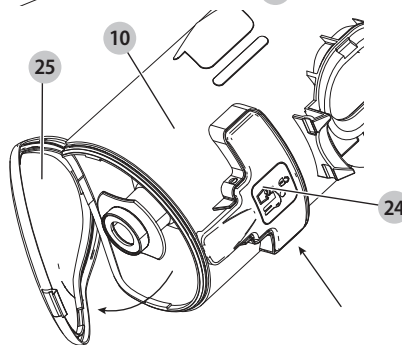


Fig. L



**Removing pre-filter (Fig. K, L, M)**

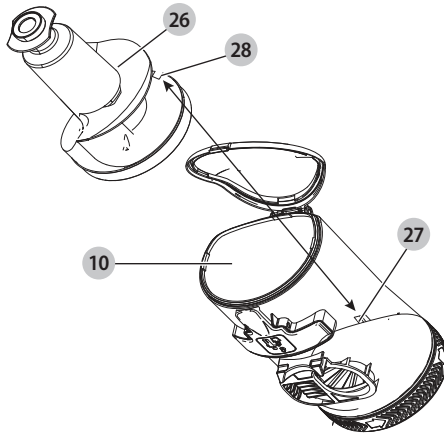
- Lift and remove the lift away dust canister **10** from the chassis **23** as shown in Figure K.
- Place the dust canister over a trash bin and press the dust canister lid release button **24** to empty the dust canister as shown in Figure L.
- Use your index finger and thumb to pinch the pre-filter **26**, pull the pre-filter **26** from the dust canister **10** as shown in Fig. M.

**NOTE:** The filter housing fits snugly in the dust canister and may be difficult to remove at first.

- Empty the dust canister into a trash bin.
- **NOTE:** It is recommended that you agitate the filter when the pre-filter **26** is removed. See **Filter Agitator** section for instructions.
- Install the pre-filter **26** into the dust canister **10** ensuring the dust canister tab **27** aligns with the pre-filter slot **28** as shown in Fig. M.

- Install the dust canister onto the vacuum, until it clicks firmly into position.

Fig. M

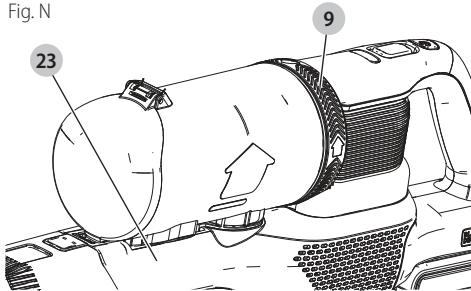


### Filter Agitator (Fig. K, L, N)

- Lift and remove the lift away dust canister **10** from the chassis **23** as shown in Figure K.
  - Place the dust canister over a trash bin and press the dust canister lid release button **24** to empty the dust canister as shown in Figure L.
  - Use your index finger and thumb to pinch the pre-filter **26**, pull the pre-filter **26** from the dust canister **10** as shown in Fig. M.
- NOTE:** The filter housing fits snugly in the dust canister and may be difficult to remove at first.
- Rotate the filter agitator wheel **9** five to ten revolutions over a trash bin to remove excessive dust from the filter.
  - Empty the dust canister into a trash bin.
  - Install the pre-filter **26** into the dust canister **10** ensuring the dust canister tab **27** aligns with the pre-filter slot **28** as shown in Fig. M.
  - Install the dust canister onto the vacuum, until it clicks firmly into position.

**IMPORTANT:** Maximum dust collection will only be obtained with clean filters and an empty dust canister. If dust begins to fall back out of the product after it is switched off, this indicates that the dust canister is full and requires emptying.

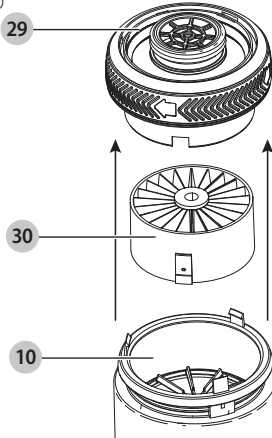
Fig. N



### Removing filter (Fig. K, L, O)

- Lift and remove the lift away dust canister **10** from the chassis **23** as shown in Figure K.
- Place the dust canister over a trash bin and press the dust canister lid release button **24** to empty the dust canister as shown in Figure L.
- Grasp the agitator wheel housing **29** and pull up to remove.
- Remove the filter **30**, from the agitator wheel housing **29** as shown in Fig. O.
- Shake off or lightly brush any loose dust from the filter.
- Install the filter **30**, into the agitator wheel housing **29**.
- Install the agitator wheel housing **29** onto the dust canister, until it clicks firmly into position.

Fig. O



### Cleaning the filters

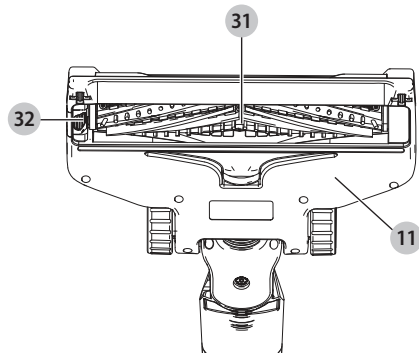
- Once the filter and pre-filter are removed from the dust canister shake off or lightly brush any loose dust from the pre-filter **26** and filter **30**.
- Rinse out the dust canister **10** with warm soapy water.
- Wash the filters with warm soapy water.
- Ensure the filters are completely dry before refitting.
- Follow instructions in the **Removing pre-filter** and **Removing filter** sections for assembly instructions.
- **IMPORTANT:** Maximum dust collection will only be obtained with clean filters and an empty dust canister. If dust begins to fall back out of the product after it is switched off, this indicates that the dust canister is full and requires emptying.
- Wash the filters regularly using warm, soapy water and ensure that it is completely dry before using again. The cleaner the filter is, the better the product will perform.
- It is very important that the filters are completely dry and correctly in position before use.

**Removing and cleaning the rotary brushes (Fig. P)**

**CAUTION:** To reduce the risk of injury from moving parts, disconnect lift away canister before cleaning or servicing.

- To remove the rotary brush **31** from the floor brush **11**: Depress the release button **32** as shown in Figure P.
- The rotary brush **31** can now be removed.
- Clean rotary brush, and reinstall. Ensure it is secured in its locked position before operating.

Fig. P

**Replacing the filters**

The filters should be replaced every 6 to 9 months and whenever worn or damaged. Replacement filters are available from your BLACK+DECKER dealer.

Visit [www.blackanddecker.com](http://www.blackanddecker.com) to locate dealers.

- Remove the old filters as described in **Cleaning the Filters**.
- Fit the new filters as described in **Cleaning the Filters**.

(cat. no: BSVF1, BSVFA for allergy vacs)

**Maintenance**

Use only mild soap and damp cloth to clean the vac. Never let any liquid get inside the vac; never immerse any part of the vac into a liquid.

**WARNING:** Make sure the vacuum is completely dry before using it.

**IMPORTANT:** To assure product SAFETY and RELIABILITY, repairs, maintenance and adjustment (other than those listed in this manual) should be performed by authorized service centers or other qualified service organizations, always using identical replacement parts.

**Troubleshooting**

If the product does not work, check the following:

- The charger was correctly plugged in for recharge. (It feels slightly warm to the touch.)
- The charger cord is not damaged and is correctly attached.
- The charger is plugged into a working electrical outlet.

If vacuum performance is poor, check the following:

- Clean the filters. (See **Cleaning** and **Emptying the vacuum** section.)
- Empty the dust canister. (See **Cleaning** and **Emptying the vacuum** section.)
- Clean the rotary brushes. (See **Removing** and **Cleaning the rotary brushes** section.)
- The LED flashes continuously, plug in the charger and perform a recharge cycle

For assistance with your product, visit our website

[www.blackanddecker.com](http://www.blackanddecker.com) for the location of the service center nearest you or call the BLACK+DECKER help line at 1-800-544-6986.

**Accessories**

Recommended accessories for use with your appliance are available from your local dealer or authorized service center.

If you need assistance regarding accessories, please call:

**1-800-544-6986.**

**WARNING:** The use of any accessory not recommended for use with this appliance could be hazardous.

**Repairs**

The charger and battery pack are not serviceable.

**WARNING:** To assure product SAFETY and RELIABILITY, repairs, maintenance and adjustment (including brush inspection and replacement, when applicable) should be performed by a BLACK+DECKER factory service center or a BLACK+DECKER authorized service center. Always use identical replacement parts.

**Service Information**

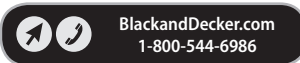
All BLACK+DECKER Service Centers are staffed with trained personnel to provide customers with efficient and reliable power tool service. Whether you need technical advice, repair, or genuine factory replacement parts, contact the BLACK+DECKER location nearest you. To find your local service location, call: **1-800-544-6986** or visit [www.blackanddecker.com](http://www.blackanddecker.com)

## TWO-YEAR LIMITED WARRANTY

Black & Decker (U.S.) Inc. warrants this product to be free from defects in material or workmanship for a period of two (2) years following the date of purchase, provided that the product is used in a home environment. This limited warranty does not cover failures due to abuse, accidental damage or when repairs have been made or attempted by anyone other than BLACK+DECKER and its Authorized Service Centers. A defective product meeting the warranty conditions set forth herein will be replaced or repaired at no charge in either of two ways: The first, which will result in exchanges only, is to return the product to the retailer from whom it was purchased (provided that the store is a participating retailer). Returns should be made within the time period of the retailer's policy for exchanges. Proof of purchase may be required. Please check with the retailer for its specific return policy regarding time limits for returns or exchanges. The second option is to take or send the product (prepaid) to a BLACK+DECKER owned or authorized Service Center for repair or replacement at BLACK+DECKER's option. Proof of purchase may be required. BLACK+DECKER owned and authorized service centers are listed online at [www.blackanddecker.com](http://www.blackanddecker.com). This warranty does not apply to accessories. This warranty gives you specific legal rights and you may have other rights which vary from state to state. Should you have any questions, contact the manager of your nearest BLACK+DECKER Service Center. This product is not intended for commercial use, and accordingly, such commercial use of this product will void this warranty. All other guarantees, express or implied, are hereby disclaimed.

**LATIN AMERICA:** This warranty does not apply to products sold in Latin America. For products sold in Latin America, check country specific warranty information contained in the packaging, call the local company or see the website for such information.

Imported by Black & Decker (U.S.) Inc.,  
701 E. Joppa Rd.  
Towson, MD 21286



## TROUBLE SHOOTING

Problem	Possible Cause	Possible Solution
• Unit will not start.	• Battery pack not charged.	• Check battery pack charging requirements.
• Battery pack will not charge	• Charger not plugged in.	• Plug charger into a working outlet. Refer to <b>Important Charging Notes</b> for more details.
	• Surrounding air temperature too hot or too cold	• Move charger and battery pack to a 39 degrees F (4 °C) or below 104 degrees F (+40 °C)

For assistance with your product, visit our website [www.blackanddecker.com](http://www.blackanddecker.com) for the location of the service center nearest you or call the BLACK+DECKER help line at 1-800-544-6986.

## Définitions : symboles et termes d'alarmes sécurité

Ces guides d'utilisation utilisent les symboles et termes d'alarmes sécurité suivants pour vous prévenir de situations dangereuses et de risques de dommages corporels ou matériels.

**⚠ DANGER :** indique une situation dangereuse imminente qui, si elle n'est pas évitée, **entraînera la mort ou des blessures graves.**

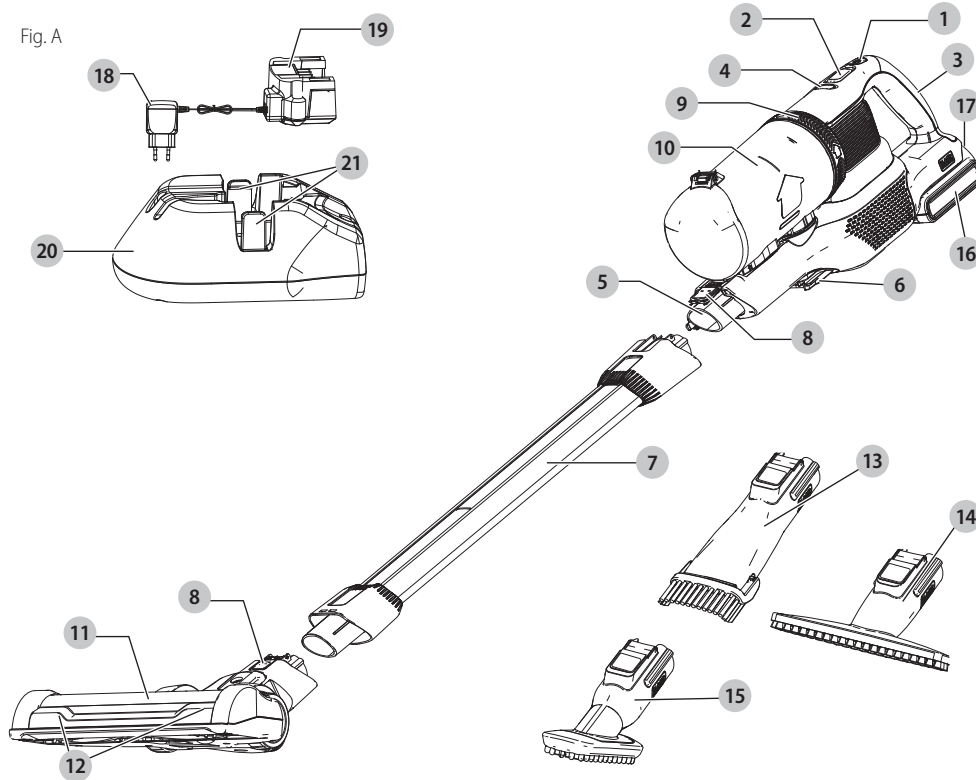
**⚠ AVERTISSEMENT :** indique une situation potentiellement dangereuse qui, si elle n'est pas évitée, **pourrait entraîner la mort ou des blessures graves.**

**⚠ ATTENTION :** indique une situation potentiellement dangereuse qui, si elle n'est pas évitée, **pourrait entraîner des blessures légères ou modérées.**

**⚠** (Si utilisé sans aucun terme) Indique un message propre à la sécurité.

**AVIS :** indique une pratique ne posant **aucun risque de dommages corporels** mais qui par contre, si rien n'est fait pour l'éviter, **pourrait poser des risques de dommages matériels.**

Fig. A



- |   |                                       |
|---|---------------------------------------|
| 1 Bouton Marche/Arrêt                             | 11 Brosse pour planchers              |
| 2 Interrupteur à puissance variable               | 12 Lampe de travail DEL               |
| 3 Poignée principale                              | 13 Petit suceur plat                  |
| 4 Bouton Marche/Arrêt de la brosse pour planchers | 14 Outil de brossage 6 po             |
| 5 Entrée de l'aspirateur                          | 15 Outil pour poils d'animaux         |
| 6 Port de charge                                  | 16 Bloc-piles                         |
| 7 Tube de rallonge                                | 17 Bouton de libération du bloc-piles |
| 8 Verrou de déblocage de l'accessoire             | 18 Chargeur                           |
| 9 Roue de l'agitateur du filtre                   | 19 Compartiment du chargeur           |
| 10 Bac à poussière amovible                       | 20 Poste de recharge                  |
|   | 21 Languettes de retenue              |

**⚠ AVERTISSEMENT!** *lire tous les avertissements de sécurité et toutes les directives.* Le non-respect des avertissements et des directives pourrait se solder par un choc électrique, un incendie et/ou une blessure grave.

**⚠ AVERTISSEMENT :** afin de réduire le risque de blessures, lire le mode d'emploi de l'outil.

## CONSIGNES IMPORTANTES DE SÉCURITÉ

Lorsque vous utilisez un appareil électrique, des précautions élémentaires devraient toujours être prises, incluant les suivantes :

### LISEZ TOUTES LES INSTRUCTIONS AVANT D'UTILISER CET APPAREIL.

**⚠ AVERTISSEMENT :** *Lisez tous les avertissements de sécurité et toutes les instructions.* Ne pas suivre les avertissements et les instructions ci-dessous peut entraîner un choc électrique, un incendie et/ou des blessures graves.

**⚠ AVERTISSEMENT :** Certaines poussières domestiques comme l'amiante ou le plomb dans la peinture à base de plomb contiennent des produits chimiques reconnus dans l'État de la Californie pour causer le cancer et des anomalies congénitales ou autres effets nuisibles sur la reproduction.

**⚠ AVERTISSEMENT :** Ne pas tenter de modifier ou de réparer l'appareil.

**⚠ AVERTISSEMENT :** Ne pas recharger le bloc-piles à des températures sous 4 °C (39 °F) ou au-dessus de 40 °C (104 °F). Suivez les instructions de recharge et ne pas recharger l'appareil hors de la plage de températures indiquée dans les instructions. Recharger de façon inappropriée ou hors de la plage de températures indiquée peut endommager le bloc-piles et augmenter le risque d'incendie.

**⚠ AVERTISSEMENT :** Afin de réduire le risque d'incendie, de choc électrique ou de blessure :

- Danger de choc électrique. Afin de vous protéger contre le risque de choc électrique, ne pas mettre le poste de recharge dans l'eau ou autre liquide.
- Ne pas le laisser être utilisé comme jouet. Une attention particulière est nécessaire lorsque l'appareil est utilisé par des enfants ou près des enfants.

- Utilisez seulement comme décrit dans le présent manuel. Utiliser seulement les accessoires recommandés du fabricant.
- Ne pas utiliser avec un cordon ou une fiche endommagée. Si l'outil ne fonctionne pas comme il le devrait, a été échappé, endommagé, laissé à l'extérieur ou échappé dans l'eau, retournez-le dans un centre de services.
- Ne pas tirer ou transporter par le cordon, utiliser celui-ci comme une poignée, le passer sous une porte ou autour d'arêtes ou coins acérés. Ne pas passer la machine sur le cordon. Gardez le cordon hors de portée de surfaces chaudes.
- Ne pas débrancher en tirant sur le cordon. Pour débrancher, saisissez la fiche, pas le cordon.
- Ne pas toucher au chargeur ou sa fiche et ses contacts si vos mains sont mouillées.
- Ne pas mettre tout objet dans les ouvertures. Ne pas utiliser si une ouverture est bloquée; tenez à l'écart de la poussière, de la charpie ainsi que des cheveux et de tout ce qui peut réduire la circulation de l'air.
- Gardez vos cheveux, vêtements amples, doigts et toutes les parties de votre corps loin des ouvertures et des pièces en mouvement de l'outil.
- Redoublez de prudence durant le nettoyage d'escaliers.
- Ne pas utiliser pour ramasser des liquides combustibles ou inflammables, comme l'essence ou utiliser dans des endroits où ils sont présents.
- Ne pas ramasser tout ce qui brûle ou fume comme des cigarettes, des allumettes ou des cendres chaudes.
- Ne pas utiliser sans le sac à poussière et/ou les filtres en place.
- Ne pas charger l'appareil à l'extérieur.
- Utilisez seulement le chargeur fourni par le fabricant pour recharger.
- Ne pas incinérer l'appareil même s'il est sévèrement endommagé. Les piles peuvent exploser et causer un incendie.
- Cet appareil n'est prévu que pour usage domestique et non pour utilisation commerciale ou industrielle.
- Ne pas laisser le cordon pendre du bord d'une table ou comptoir ou entrer en contact avec une surface chaude. L'appareil ne devrait pas être placé ou monté près d'un évier ou d'une source de chaleur.
- Branchez le chargeur directement dans une prise de courant.
- Branchez le chargeur seulement dans une prise de courant domestique standard (120 V - 60 Hz).
- Débranchez le chargeur de sa prise avant tout entretien ou nettoyage de routine.
- Ne pas regarder dans les événements lorsque l'appareil est en marche parce qu'il arrive parfois que de petits débris puissent être éjectés des événements, particulièrement après le nettoyage/remplacement des filtres puisque les débris à l'intérieur de l'appareil peuvent être dérangés.
- Sous conditions extrêmes, une fuite des cellules du bloc-piles peut se produire. Si le liquide (qui est une solution de 20 à 35 % d'hydroxyde de potassium) se retrouve sur l'épiderme, (1) lavez rapidement à l'eau et au savon et (2) neutralisez avec un produit légèrement acide comme du jus de citron ou du vinaigre. Si du liquide entre dans les yeux, rincez immédiatement avec de l'eau propre pour une durée minimum de 10 minutes. Consultez un médecin.

## AVERTISSEMENTS DE SÉCURITÉ SUPPLÉMENTAIRES

- a) **Empêchez le démarrage non intentionnel.** Assurez-vous que l'interrupteur est en position Arrêt avant de ramasser et de transporter l'appareil. Transporter l'appareil avec votre doigt sur l'interrupteur ou mettre sous tension un appareil dont l'interrupteur est en position Marche favorise les accidents.
- b) **Débranchez le bloc-piles de l'appareil avant d'effectuer tout ajustement, changer les accessoires ou ranger l'appareil.** Ces mesures de sécurité préventives réduisent le risque de démarrage accidentel de l'appareil.
- c) **Rechargez seulement avec le chargeur indiqué par le fabricant.** Un chargeur est approprié pour un type de bloc-piles et peut créer un risque d'incendie s'il est utilisé avec un bloc-piles d'un autre type.
- d) **Utilisez l'appareil seulement avec des blocs-piles spécialement conçus.** Utiliser d'autres blocs-piles peut créer un risque de blessure ou d'incendie.
- e) **Lorsque vous n'utilisez pas le bloc-piles, gardez-le hors de portée d'autres objets métalliques, comme les trombones, les pièces de monnaie, les clés, les clous, les vis et autres petits objets métalliques qui peuvent connecter une borne à une autre.** Faire un court-circuit entre les bornes des piles peut entraîner des brûlures ou un incendie.
- f) **En conditions abusives, du liquide peut être éjecté de la pile; évitez le contact.** Si un contact se produit accidentellement, rincez avec de l'eau. Si du liquide entre en contact avec les yeux, consultez aussi un médecin. Le liquide éjecté de la pile peut entraîner une irritation ou des brûlures.
- g) **Ne pas utiliser un bloc-piles ou un appareil qui est endommagé ou qui a été modifié.** Les piles endommagées ou modifiées peuvent avoir un comportement imprévisible entraînant un incendie, une explosion ou un risque de blessure.
- h) **Ne pas exposer le bloc-piles ou l'appareil au feu ou à une température excessive.** L'exposition au feu ou à une température au-dessus de 130 °C (266 °F) pourrait entraîner une explosion.
- i) **Suivez les instructions de recharge et ne pas charger le bloc-piles ou l'appareil en hors de la plage de températures indiquée dans les instructions.** Charger de façon inappropriée ou hors de températures de la plage indiquée peut endommager la pile et augmenter le risque d'incendie.
- j) **Faites réparer par un réparateur qualifié utilisant seulement des pièces de rechange identiques.** Ceci assurera le maintien de la sécurité du produit.
- k) **Ne pas modifier ou tenter de réparer l'appareil ou le bloc-piles sauf si c'est indiqué dans le mode d'emploi et d'entretien.**

## CONSERVEZ CES INSTRUCTIONS

### Consignes de sécurité importantes pour les blocs-piles

- ⚠ AVERTISSEMENT :** Lisez tous les avertissements de sécurité et toutes les instructions du bloc-piles, du chargeur et de l'outil électrique. Ne pas suivre les avertissements et les instructions peut entraîner un choc électrique, un incendie et/ou des blessures graves.
- **Ne pas charger ou utiliser le bloc-piles en atmosphères explosibles comme la présence de liquides inflammables, de gaz ou de poussière.** Insérer ou retirer la pile du bloc-piles peut enflammer la poussière ou les vapeurs.
  - **Ne JAMAIS forcer le bloc-piles dans le chargeur. NE PAS modifier le bloc-piles de quelque façon que ce soit dans un chargeur non compatible puisque le bloc-piles peut se briser causant une blessure corporelle.** Consultez le tableau à la fin de ce guide pour la compatibilité des blocs-piles et des chargeurs.
  - Chargez les blocs-piles seulement dans les chargeurs conçus par BLACK+DECKER.
  - **NE PAS** éclabousser ou immerger dans l'eau ou tout autre liquide.
  - **Ne pas entreposer ou utiliser l'outil et le bloc-piles dans des endroits où la température peut atteindre ou excéder 40 °C (104 °F) (comme les remises extérieures ou les édifices en métal durant l'été.** Pour une meilleure durée de vie, entreposer le bloc-piles dans un endroit frais et sec.  
**REMARQUE :** Ne pas ranger les blocs-piles dans un outil avec la gâchette verrouillée. Ne jamais coller la gâchette avec du ruban adhésif en position Marche.
  - **Ne pas brûler le bloc-piles même s'il est gravement endommagé ou est entièrement usé.** Le bloc-piles peut exploser au cours d'un incendie. Des vapeurs et des matières toxiques sont produites lorsque les blocs-piles au lithium-ion sont brûlés.
  - **Si le liquide des piles entre en contact avec la peau, lavez immédiatement avec de l'eau et du savon doux.** Si le liquide vient en contact avec les yeux, rincez à l'eau courante durant 15 minutes ou jusqu'à ce que l'irritation cesse, en gardant les yeux ouverts. Pour information de consultation médicale, l'électrolyte des piles est composé d'un mélange organique liquide et de sels de lithium.
  - **Le contenu des piles peut causer une irritation respiratoire.** Faites circuler de l'air frais. Si les symptômes persistent, consultez un médecin.

**⚠ AVERTISSEMENT :** *Danger de brûlure. Le liquide des piles peut être inflammable s'il est exposé aux étincelles ou aux flammes.*

**⚠ AVERTISSEMENT :** *Danger d'incendie. Ne jamais tenter d'ouvrir le bloc-piles pour quelque raison que ce soit. Si le boîtier du bloc-piles est fendu ou endommagé, ne pas l'insérer dans le chargeur. Ne pas écraser, échapper ou endommager le bloc-piles. Ne pas se servir d'un bloc-piles ou d'un chargeur qui a subi un impact, a été échappé, écrasé ou endommagé d'une façon ou d'une autre (par ex. perforé par un clou, frappé par un marteau, sur lequel on a marché). Les blocs-piles endommagés devraient être amenés/expédiés au centre de service pour recyclage.*

### Transport

**⚠ AVERTISSEMENT :** *Danger d'incendie. Ne pas entreposer ou transporter le bloc-piles de manière à ce que des objets métalliques puissent entrer en contact avec les bornes des piles exposées. Par exemple, ne pas placer le bloc-piles dans des tabliers, des poches, des coffres à outils, les boîtes d'ensembles de produits, les tiroirs, etc. avec des clous, des vis, des clés, etc. non fixés. Transporter des piles peut possiblement causer un incendie si les bornes des piles entrent par inadvertance en contact avec des matériaux conducteurs comme les clés, les pièces de monnaie, les outils à main et d'autres matériaux semblables. La réglementation HMR (Hazardous Material Regulations) du DOT (Department of Transportation) des É.-U. interdit en fait le transport de piles dans les véhicules commerciaux ou dans les bagages de cabine à bord des avions À MOINS qu'ils soient adéquatement protégés contre les courts-circuits. Alors, lorsque vous transportez des blocs-piles individuels, assurez-vous que leurs bornes sont protégées et bien isolées de tout matériel avec lequel elles pourraient entrer en contact et causer un court-circuit.*

### Le sceau RBRC®

Le sceau RBRC® (Rechargeable Battery Recycling Corporation) sur les piles (ou blocs-piles) au nickel-cadmium, hydrure métallique de nickel ou lithium-ion indique que les coûts de recyclage de ces piles (ou blocs-piles) à la fin de leur durée de vie utile ont déjà été payés par BLACK+DECKER. Dans certaines régions, il est illégal de mettre les piles au nickel-cadmium, hydrure métallique de nickel ou lithium-ion à la poubelle ou dans le flux des déchets solides des municipalités le programme Call 2 Recycle® offre une solution de rechange écologique.

Call 2 Recycle, Inc., en collaboration avec BLACK+DECKER et d'autres utilisateurs de piles, a établi le programme aux États-Unis et au Canada pour faciliter la collecte des piles au



nickel-cadmium, hydrure métallique de nickel ou lithium-ion. Aidez à protéger notre environnement et à conserver les ressources naturelles en retournant les piles au nickel-cadmium, hydrure métallique de nickel ou lithium-ion dans un centre de services BLACK+DECKER autorisé ou chez votre détaillant local pour qu'elles soient recyclées. Vous pouvez aussi contacter votre centre de recyclage local pour des informations sur les endroits où déposer la pile usagée. RBRC® est une marque de commerce déposée de Call 2 Recycle, Inc.

### Consignes de sécurité importantes pour tous les chargeurs de piles

**⚠ AVERTISSEMENT :** *Lisez tous les avertissements de sécurité et toutes les instructions du bloc-piles, du chargeur et de l'outil électrique. Ne pas suivre les avertissements et les instructions peut entraîner un choc électrique, un incendie et/ou des blessures graves.*

- **NE PAS tenter de recharger le bloc-piles avec un chargeur autre que ceux indiqués dans le présent manuel.** Le bloc-piles et le chargeur sont spécifiquement conçus pour fonctionner ensemble.
- **Ces chargeurs ne sont pas conçus pour toute utilisation autre que le chargement des piles rechargeables BLACK+ DECKER.** Tout autre usage pourrait entraîner un danger d'incendie, un choc électrique ou une électrocution.
- **Ne pas exposer le chargeur à la pluie ou la neige.**
- **Tirez la fiche au lieu du cordon lorsque vous débranchez le chargeur.** Cela réduira le risque d'endommager la fiche et le cordon électriques.
- **Assurez-vous de ne pas placer le cordon là où il pourrait faire trébucher les passants ou être endommagé de quelque façon que ce soit.**
- **Ne pas utiliser une rallonge à moins que ce ne soit absolument nécessaire.** L'utilisation d'une rallonge inadéquate pourrait entraîner un risque d'incendie un choc électrique ou une électrocution.
- **Lors de l'utilisation d'un chargeur à l'extérieur, gardez-le toujours au sec et utilisez une rallonge appropriée pour l'extérieur.** L'utilisation d'une rallonge appropriée pour l'extérieur réduit le risque de choc électrique.
- **Une rallonge doit avoir un calibre de fil (AWG ou calibre américain normalisé des fils) approprié pour la sécurité.** Plus le numéro de calibre du fil est petit, plus la capacité du câble est grande, c'est-à-dire que le calibre 16 a plus de capacité que le calibre 18. Un cordon de taille inférieure entraînera une chute de tension de secteur ce qui causera une perte de puissance et une surchauffe. Lorsque vous utilisez plus d'une rallonge pour obtenir la longueur totale, assurez-vous que chaque rallonge individuelle a au moins le calibre de fil minimum. Le tableau suivant affiche la bonne taille à utiliser selon longueur de cordon et l'intensité nominale de la plaque signalétique. En cas de doute, utilisez le calibre le plus

lourd suivant. Plus le numéro de calibre est bas, plus le cordon est lourd.

#### Calibre minimum pour les cordons d'alimentation

Volts		Longueur totale du cordon d'alimentation en mètre (pieds)			
120 V		7,6 (25)	15,2 (50)	30,5 (100)	45,7 (150)
240 V		15,2 (50)	30,5 (100)	61,0 (200)	91,4 (300)
Ampères		AWG			
Plus que	Pas plus que				
0	6	18	16	16	14
6	10	18	16	14	12
10	12	16	16	14	12
12	16	14	12	Non recommandé	

- **Ne pas placer tout objet sur le dessus du chargeur ou placer le chargeur sur une surface molle qui pourrait bloquer les fentes de ventilation et entraîner une chaleur interne excessive.** Placez le chargeur loin de toute source de chaleur. Le chargeur est ventilé grâce aux fentes du dessus et du bas du boîtier.
- **Ne pas utiliser le chargeur avec un cordon endommagé.**
- **Ne pas utiliser le chargeur s'il a reçu un choc violent, s'il a été échappé ou est autrement endommagé de quelque façon que ce soit.** Apportez-le dans un centre de services autorisé.
- **Ne pas démonter le chargeur; apportez-le dans un centre de services autorisé lorsqu'un entretien ou une réparation est nécessaire.** Un mauvais réassemblage peut entraîner un danger de choc électrique, une électrocution ou un incendie.
- **Débranchez le chargeur de la prise avant d'essayer de nettoyer.** Ceci éliminera la possibilité de choc électrique. Le retrait du bloc-piles ne réduira pas cette possibilité.
- **NE JAMAIS tenter de brancher 2 chargeurs ensemble.**

**Le chargeur est conçu pour fonctionner sur une alimentation électrique domestique 120 V. Ne pas essayer de l'utiliser sur toute autre tension.** Cela ne s'applique par au chargeur véhiculaire.

**⚠ AVERTISSEMENT :** Danger de choc électrique. Ne pas laisser pénétrer tout liquide à l'intérieur du chargeur. Cela peut entraîner un choc électrique.

**⚠ AVERTISSEMENT :** Danger de brûlure. Ne pas immerger le bloc-piles dans tout liquide ou laisser tout liquide entrer dans le bloc-piles. Ne jamais tenter d'ouvrir le bloc-piles pour quelque raison que ce soit. Si le boîtier en plastique du bloc-piles se brise ou se fissure, retournez-le dans un centre de services pour le recycler.

**⚠ ATTENTION :** Danger de brûlure. Afin de réduire le risque de blessure, chargez seulement des blocs-piles rechargeables BLACK+DECKER. D'autres types de piles peuvent surchauffer et éclater entraînant une blessure corporelle et des dommages.

**AVIS :** Dans certaines conditions, avec le chargeur branché à l'alimentation, le chargeur peut être court-circuité par une matière étrangère. Les matières étrangères conductrices telles, mais sans s'y limiter, les poussières de meulage, les copeaux métalliques, la laine d'acier, le papier d'aluminium ou toute accumulation de particules métalliques devraient être éloignées des ouvertures du chargeur. Débranchez toujours le chargeur de l'alimentation lorsqu'il n'y a aucun bloc-piles à l'intérieur. Débranchez le chargeur avant de nettoyer.

### Charger un bloc-piles

Les chargeurs BLACK+DECKER sont conçus pour charger les blocs-piles BLACK+DECKER.

**REMARQUE :** Afin d'assurer la performance et la vie maximale des blocs-piles ion lithium :

- **Chargez complètement le bloc-pile avant la première utilisation.**
- **Rechargez les piles déchargées dès que possible après chaque utilisation.**
- **Ne pas décharger complètement les piles.**

Le chargeur fourni offre trois manières possible de charger votre pile.

- Charger dans le compartiment
- Charger dans le compartiment fixé au mur
- Charger de l'unité fixée au mur

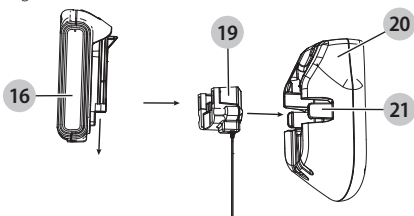
### Charger dans le compartiment (Fig. B)

1. Branchez le chargeur dans une prise appropriée avant d'insérer le bloc-piles **16**.
2. Insérez le bloc-piles dans le compartiment du chargeur **19**.
3. Le voyant DEL vert clignotera indiquant que la pile est en cours de chargement.
4. La fin du chargement est indiquée par le voyant DEL vert qui demeure allumé de façon continue. Le bloc est complètement chargé et peut être utilisé à ce moment ou laissé sur le chargeur.

### Charger les piles fixées au mur (Fig. B)

1. Indiquez l'emplacement des trous des vis du poste de recharge sur le mur (à proximité d'une prise électrique pour charger l'aspirateur pendant qu'il est sur le poste de recharge **20**).
2. Fixez le poste de recharge **20** au mur à l'aide de vis et de chevilles appropriées pour le type de mur et le poids de l'appareil.
3. Installez le compartiment du chargeur dans le poste de recharge (Fig. B). Assurez-vous qu'il est verrouillé place avant de procéder.  
**REMARQUE :** Pour retirer le compartiment du chargeur de la base de chargement, tirez les languettes de retenue **21** et soulevez le compartiment du chargeur **19**.
4. Branchez le chargeur dans une prise appropriée avant d'insérer le bloc-piles.
5. Glissez le bloc-piles **16** dans la poignée de l'outil.

Fig. B

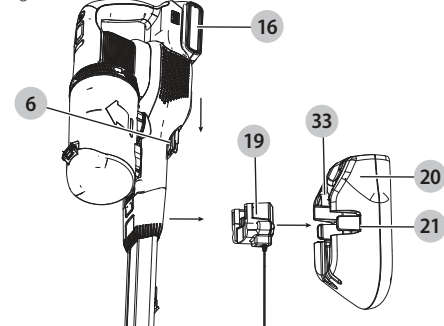


### Entreposage de l'aspirateur fixé au mur et recharge des piles (Fig. C)

Le produit peut être fixé à un mur pour un entreposage pratique et un point de chargement pour l'appareil. Lorsque vous fixez au mur, assurez-vous que la méthode de fixation convient au type de mur et qu'elle est appropriée pour le poids de l'appareil.

1. Indiquez l'emplacement des trous des vis du poste de recharge sur le mur (à une hauteur qui permet à l'unité d'être suspendue sans toucher au plancher et à proximité d'une prise électrique pour charger l'aspirateur pendant qu'il est sur le poste de recharge **20**).
2. Fixez le poste de recharge **20** au mur à l'aide de vis et de chevilles appropriées pour le type de mur et le poids de l'appareil.
3. Installez le compartiment du chargeur dans le poste de recharge (Fig. C). Assurez-vous qu'il est verrouillé place avant de procéder.  
**REMARQUE** : Pour retirer le compartiment du chargeur de la base de chargement, tirez les languettes de retenue **21** et soulevez le compartiment du chargeur.
4. Branchez le chargeur dans une prise appropriée.
5. Une fois le bloc-piles **16** installé sur l'aspirateur, glissez le port du chargeur **6**, situé à la base de l'aspirateur, sur les fentes **33** du poste de recharge.
6. Le voyant DEL blanc clignotera indiquant que la pile est en cours de chargement.
7. Les voyants DEL blancs s'allumeront par étape, affichant l'état de chargement du bloc-piles.
8. La fin du chargement est indiquée par les voyants DEL blancs qui s'éteignent. Le bloc est complètement chargé et peut être utilisé à ce moment ou laissé sur le chargeur.

Fig. C



### Laisser la pile dans le chargeur

Le chargeur et le bloc-piles peuvent être laissés connectés pour une durée indéterminée.

### Instructions de nettoyage du chargeur

**⚠ AVERTISSEMENT :** *Danger de choc électrique. Débranchez le chargeur de la prise CA avant de nettoyer. La saleté et la graisse peuvent être retirées des surfaces extérieures du chargeur à l'aide d'un linge ou d'une brosse souple non métallique. Ne pas utiliser d'eau ou de solution nettoyante.*

### Remarques importantes sur le chargement

1. Une vie plus longue et une meilleure performance peuvent être obtenues si le bloc-piles est chargé lorsque la température de l'air est située entre 18 °C et 24 °C (65 °F et 75 °F). NE PAS charger le bloc-piles dans une température de l'air sous +4,5 °C (+40 °F) ou au-dessus de +40 °C (+104 °F). C'est important et cela préviendra les dommages graves au bloc-piles.
2. Le chargeur et le bloc-piles peuvent devenir chauds au toucher durant le chargement. C'est un état normal et cela n'indique pas un problème. Pour faciliter le refroidissement du bloc-piles après l'utilisation, évitez de placer le chargeur ou le bloc-piles dans un environnement chaud comme une remise en métal ou une remorque non isolée.
3. Si le bloc-piles ne charge pas de adéquatement :
  - a. Vérifiez le fonctionnement de la prise en branchant une lampe ou un autre appareil;
  - b. Vérifiez si la prise d'alimentation est connectée à un interrupteur d'éclairage qui s'éteint lorsque vous éteignez les lumières;
  - c. Déplacez le chargeur et le bloc-piles dans un endroit où la température de l'air ambiant est d'environ 18 ° à 24 °C (65 ° à 75 °F);
  - d. Si les problèmes de chargement persistent, apportez l'outil, le bloc-piles et le chargeur dans votre centre de services local.
4. Le bloc-piles doit être chargé lorsqu'il ne produit pas assez de puissance sur les tâches qui étaient facilement effectuées auparavant. NE PAS CONTINUER à utiliser dans ces conditions. Suivez la procédure de chargement. Vous pouvez aussi charger un bloc partiellement utilisé au moment désiré sans effet indésirable sur le bloc-piles.
5. Les matières étrangères conductrices telles (sans y être limitées) les poussières de meulage, les copeaux métalliques, la laine d'acier, les feuillets d'aluminium ou toute accumulation de particules conductrices devraient être éloignées des ouvertures du chargeur. Débranchez toujours le chargeur de l'alimentation lorsqu'il n'y a aucun bloc-piles à l'intérieur. Débranchez le chargeur avant de nettoyer.
6. Ne pas congeler ou immerger le chargeur dans l'eau ou tout autre liquide.

## Recommandations d'entreposage

1. Le meilleur endroit pour l'entreposage est celui qui est frais et sec loin de la lumière directe du soleil et de la chaleur ou du froid excessif.
2. Pour un entreposage prolongé, il est recommandé d'entreposer un bloc-piles entièrement chargé dans un endroit sec et frais hors du chargeur pour des résultats optimaux.

**REMARQUE :** Les blocs-piles ne doivent pas être entreposés complètement déchargés. Le bloc-piles doit être rechargé avant l'utilisation.

## CONSERVEZ CES INSTRUCTIONS POUR UTILISATION ULTÉRIEURE

### SYMBOLES

L'étiquette sur votre outil peut comporter les symboles suivants.

Les symboles et les définitions sont les suivants :

V.....	volts
A.....	ampères
Hz.....	hertz
W.....	watts
min.....	minutes
~ ou AC.....	courant alternatif
== ou DC.....	courant continu
n <sub>0</sub> .....	sous vide
ⓘ.....	Construction de classe I
Ⓜ.....	borne de mise à la minute (mis à la terre)
Ⓜ.....	Construction de classe II
⚠.....	symbole d'avertissement
./min.....	tours à la minute
Wh.....	Watt Heures

### ASSEMBLAGE

**⚠ AVERTISSEMENT :** Ne pas tenter de modifier ou de réparer l'appareil.

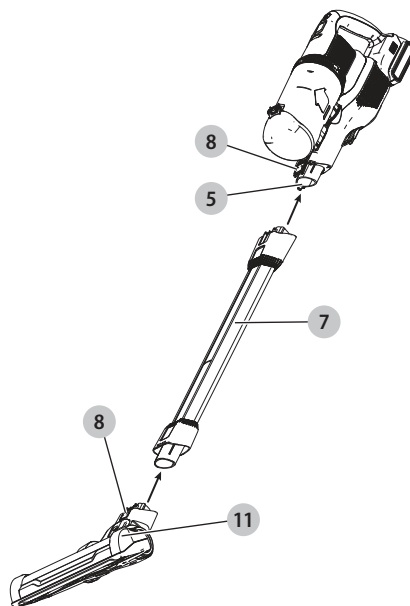
### Utilisation prévue

Votre aspirateur vertical sans fil 3 en 1 20 V Max\* BLACK+DECKER a été conçu pour le nettoyage à sec. Cet appareil est conçu pour un usage domestique seulement. Assemblage (Fig. D)

1. Alignez le haut du tube de rallonge **7** avec l'entrée de l'aspirateur **5** comme illustré dans la Fig. D.
2. Poussez le tube de rallonge **7** dans l'entrée de l'aspirateur **5** pour qu'il se verrouille en place.
3. Alignez le bas du tube de rallonge **7** avec la brosse pour plancher **11** comme illustré dans la Fig. C.
4. Poussez le bas du tube de rallonge **7** dans la brosse pour planchers **11** pour qu'il se verrouille en place.
5. Pour retirer un accessoire, appuyez sur le verrou de déblocage **8** de l'accessoire sur l'entrée de l'aspirateur ou le bas du tube de rallonge et retirez doucement l'accessoire connecté.

**⚠ AVERTISSEMENT :** Lorsqu'elle n'est pas utilisée, placez l'unité avec l'arrière de l'aspirateur face à un mur de sorte qu'elle ne tombe pas sur un enfant ou un animal domestique.

Fig. D



### FONCTIONNEMENT

**⚠ AVERTISSEMENT :** Afin de réduire le risque de blessure corporelle, éteignez l'appareil et débranchez-le de la source d'alimentation avant d'effectuer tout ajustement ou de retirer/installer des pièces ou des accessoires. Un démarrage accidentel peut causer des blessures.

### Installer et retirer le bloc-piles (Fig. A)

**REMARQUE :** Pour une meilleure performance, assurez-vous que le bloc-piles est rechargé à 100 %.

Pour installer le bloc-piles **16** dans l'outil, alignez le bloc-piles avec les glissières à l'intérieur de la poignée de l'outil et glissez-le dans la poignée jusqu'à ce que le bloc-piles soit bien placé dans l'outil et assurez-vous qu'il est enclenché.

Pour retirer le bloc-piles de l'outil, appuyez sur le bouton de libération **17** et tirez-le fermement hors de la poignée de l'outil. Insérez-le dans le chargeur tel que décrit dans la section du chargeur du présent manuel.

### UTILISATION

L'aspirateur peut être utilisé de quatre façons.

- Avec le tube de rallonge **7** et la brosse pour planchers **11**. (Fig. E)
- Avec la brosse pour planchers **11**. (Fig. F)

- Avec le tube de rallonge **7** et un outil accessoire **13**, **14**, **15**. (Fig. G)
- Avec un outil accessoire **13**, **14**, **15**. (Fig. H)

Fig. E



Fig. G

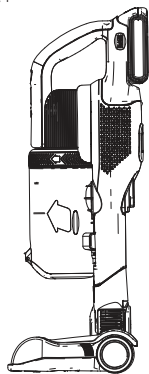


Fig. H

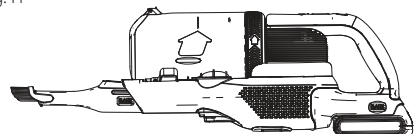
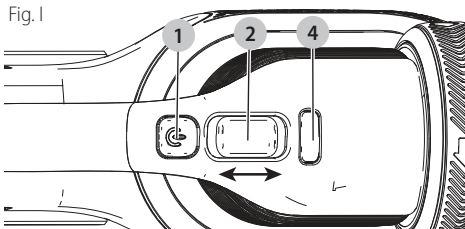


Fig. I



### Voyant de l'état de charge

Le présent appareil comprend un indicateur d'état de charge de son bloc-piles comprenant trois témoins DEL blancs indiquant son niveau de charge. Cette fonction s'active seulement lorsque l'aspirateur est en marche ou durant le cycle de charge.

L'indicateur d'état de charge est une indication du niveau approximatif de charge restant dans le bloc-piles selon les indicateurs suivants :

Le voyant DEL de la pile affiche la charge restante et vous avise lorsque la pile est faible. Le dernier voyant DEL clignotera en continu lorsqu'il restera seulement 1 minute de durée d'exécution. Tous les voyants DEL clignoteront lorsque l'appareil sera déchargé.

**REMARQUE :** L'indicateur de l'état de charge est seulement une indication du niveau de charge restant dans le bloc-piles. Il n'indique pas le fonctionnement de l'outil et peut varier selon les composantes du produit, la température et l'application de l'utilisateur final.

### Utilisation de l'outil accessoire (Fig. J)

Votre aspirateur peut être offert avec certains des accessoires suivants.

- Petit suceur plat.
- Outil de brossage 6 po.
- Outil pour poils d'animaux.
- L'outil accessoire **13**, **14**, **15** peut être fixé directement sur le tube de rallonge **7** ou sur l'entrée de l'aspirateur **5** comme illustré dans la Fig. J.
- Alignez le haut de l'outil accessoire **13**, **14**, **15** avec l'entrée de l'aspirateur **5** ou le tube de rallonge **7** et poussez en place afin qu'il se verrouille comme illustré dans la Fig. J.

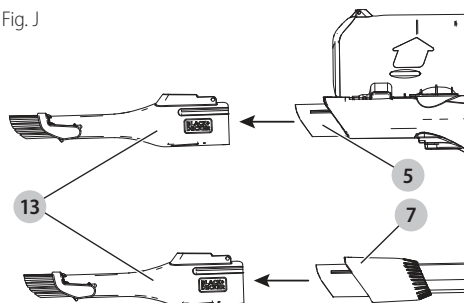
### Mettre en marche et éteindre (Fig. A, I)

- Pour mettre en marche, appuyez sur le bouton Marche/Arrêt **1**.
  - Pour une puissance augmentée, glissez l'interrupteur à puissance variable **2** vers l'avant.
- REMARQUE :** Les voyants DEL de l'état de charge s'allumeront pendant que l'aspirateur est en marche.
- Pour éteindre, appuyez à nouveau sur le bouton Marche/Arrêt **1**.
  - Remplacez l'aspirateur dans son chargeur immédiatement après le travail pour qu'il soit prêt pour la prochaine utilisation. Assurez-vous que le produit est bien branché avec la fiche du chargeur.

### Mettre en marche et éteindre la brosse pour planchers (Fig. I)

- Pour éteindre la brosse pour planchers, appuyez sur le bouton Marche/Arrêt **4** de la brosse pour planchers.
  - Pour mettre en marche la brosse pour planchers, appuyez à nouveau sur le bouton Marche/Arrêt **4** de la brosse pour planchers.
- REMARQUE :** Les lampes de travail DEL **12** s'allumeront chaque fois que la brosse pour planchers est en marche.

Fig. J



## Nettoyer et vider l'aspirateur

**AVERTISSEMENT :** *Risque de projectiles/respiratoires : Ne jamais utiliser cet aspirateur sans son filtre.*

**REMARQUE :** Le filtre est réutilisable, ne pas le confondre avec le sac à poussière jetable et ne pas le jeter lorsque vous videz le produit. Nous vous recommandons de remplacer le filtre tous les 6 à 9 mois selon la fréquence d'utilisation.

Il y a deux méthodes de nettoyage du bac, une méthode pour vider rapidement et une méthode de nettoyage en profondeur.

### Pour vider le bac à poussière (Fig. K, L)

- Levez et retirez le bac à poussière amovible **10** du châssis **23** comme illustré dans la Figure K.
- Placez le bac à poussière au-dessus d'une poubelle et appuyez sur le bouton de libération **24** du couvercle du bac à poussière pour le vider comme montré à la Fig. L.
- Fermez le couvercle du bac à poussière **25** jusqu'à ce qu'il clique solidement en place.
- Réinstallez le bac à poussière amovible **10** sur le châssis **23**.

Fig. K

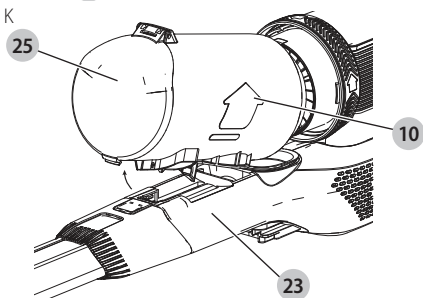
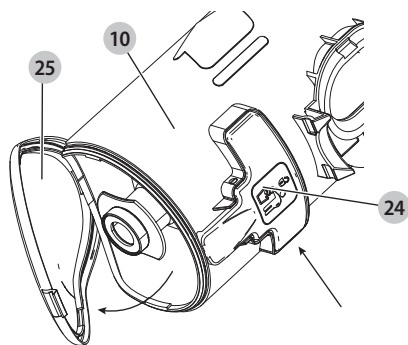


Fig. L



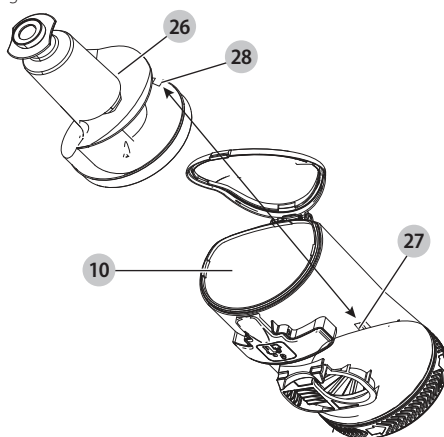
### Retirer le préfiltre (Fig. K, L, M)

- Levez et retirez le bac à poussière amovible **10** du châssis **23** comme illustré dans la Figure K.
- Placez le bac à poussière au-dessus d'une poubelle et appuyez sur le bouton de libération **24** du couvercle du bac à poussière pour le vider comme montré à la figure L.
- Utilisez votre index et votre pouce pour prendre le préfiltre **26**, sortez le préfiltre **26** du bac à poussière **10** comme illustré dans la Fig. M.

**REMARQUE :** Le boîtier des filtres s'ajuste de façon serrée dans le bac à poussière et peut être difficile à retirer au début.

- Videz le bac à poussière dans une poubelle.
- REMARQUE :** Il est recommandé d'agiter le filtre lorsque le préfiltre **26** est retiré. Consultez la section **Agitateur du filtre** pour des instructions.
- Installez le préfiltre **26** dans le bac à poussière **10** en vous assurant que la languette du bac à poussière **27** s'aligne avec la fente du préfiltre **28** comme illustré dans la Fig. M.
- Installez le bac à poussière sur l'aspirateur jusqu'à ce qu'il clique solidement en place

Fig. M



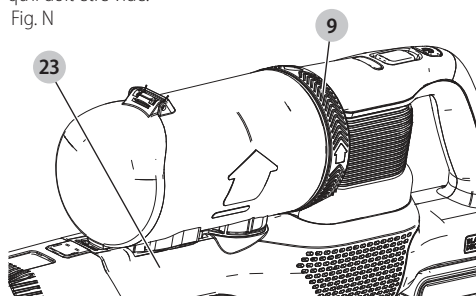
### Agitateur du filtre (Fig. K, L, N)

- Levez et retirez le bac à poussière amovible **10** du châssis **23** comme illustré dans la Figure K.

- Placez le bac à poussière au-dessus d'une poubelle et appuyez sur le bouton de libération **24** du couvercle du bac à poussière pour le vider comme montré à la figure L.
- Utilisez votre index et votre pouce pour prendre le préfiltre **26**, sortez le préfiltre **26** du bac à poussière **10** comme illustré dans la Fig. M.
- REMARQUE : Le boîtier des filtres s'ajuste de façon serrée dans le bac à poussière et peut être difficile à retirer au début.
- Tournez la roue de l'agitateur du filtre **9** de cinq à dix révolutions au-dessus d'une poubelle pour retirer l'excès de poussière du filtre.
- Videz le bac à poussière dans une poubelle.
- Installez le préfiltre **26** dans le bac à poussière **10** en vous assurant que la languette du bac à poussière **27** s'aligne avec la fente du préfiltre **28** comme illustré dans la Fig. M.
- Installez le bac à poussière sur l'aspirateur jusqu'à ce qu'il clique solidement en place.

**IMPORTANT :** La succion maximale ne sera obtenue qu'avec des filtres propres et un bac à poussière vide. Si la poussière commence à s'échapper de l'unité après qu'elle est arrêtée, ceci indique que le bac à poussière est plein et qu'il doit être vidé.

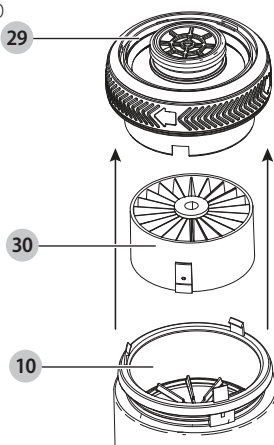
Fig. N



#### Retirer le filtre (Fig. K, L, O)

- Levez et retirez le bac à poussière amovible **10** du châssis **23** comme illustré dans la Figure K.
- Placez le bac à poussière au-dessus d'une poubelle et appuyez sur le bouton de libération **24** du couvercle du bac à poussière pour le vider comme montré à la figure L.
- Saisissez le boîtier de la roue de l'agitateur **29** et tirez-le pour le retirer.
- Retirez le filtre **30** du boîtier de la roue de l'agitateur **29** comme illustré dans la Fig. O.
- Secouez ou brossez légèrement toute poussière du filtre.
- Installez le filtre **30** dans le boîtier de la roue de l'agitateur **29**.
- Installez le boîtier de la roue de l'agitateur **29** sur le bac à poussière jusqu'à ce qu'il clique solidement en place.

Fig. O



#### Nettoyer les filtres

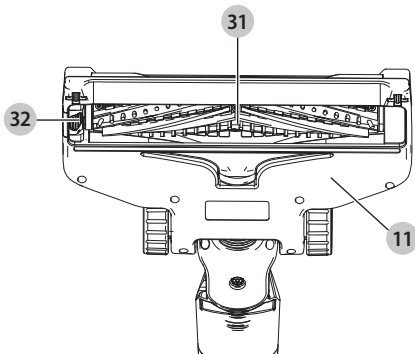
- Une fois que le filtre et le préfiltre ont été retirés du bac à poussière, secouez ou brossez légèrement la poussière du préfiltre **26** et du filtre **30**.
- Lavez le bac à poussière **10** dans une eau tiède savonneuse.
- Lavez les filtres dans une eau tiède savonneuse.
- Assurez-vous que les filtres sont complètement secs avant de les remettre.
- Suivez les instructions dans les sections **Retirer le préfiltre** et **Retirer le filtre** pour les instructions d'assemblage.
- IMPORTANT :** La succion maximale ne sera obtenue qu'avec des filtres propres et un bac à poussière vide. Si la poussière commence à s'échapper de l'unité après qu'elle est arrêtée, ceci indique que le bac à poussière est plein et qu'il doit être vidé.
- Lavez les filtres régulièrement à l'eau tiède savonneuse et assurez-vous qu'ils sont complètement secs avant de les utiliser à nouveau. Plus le filtre sera propre, meilleure sera la performance de l'aspirateur.
- Il est très important que les filtres soient complètement secs et installés correctement avant d'utiliser l'appareil.

#### Retirer et nettoyer les brosses rotatives (Fig. P)



**ATTENTION :** Pour réduire le risque de blessures causées par les pièces en mouvement, déconnectez le bac à poussière amovible avant de nettoyer ou de réparer.

- Pour retirer la brosse rotative **31** de la brosse pour planchers **11**, appuyez sur le bouton de libération **32** comme illustré dans la Figure P.
- La brosse rotative **31** peut alors être retirée.
- Nettoyez la brosse rotative et réinstallez. Assurez-vous qu'elle est bien fixée en position verrouillée avant d'utiliser.



## Remplacer les filtres

Les filtres doivent être remplacés tous les 6 à 9 mois et lorsqu'ils sont usés ou endommagés. Les filtres de remplacement sont disponibles chez votre détaillant BLACK+DECKER.

Visitez [www.blackanddecker.com](http://www.blackanddecker.com) pour trouver les détaillants.

- Retirez les anciens filtres comme décrit dans **Nettoyage des filtres**.
- Mettez les nouveaux filtres comme décrit dans **Nettoyage des filtres**.

(N° de cat. : BSVF1, BSVFA pour les aspirateurs contre les allergies)

## Entretien

Utilisez seulement un savon doux et un linge humide pour nettoyer l'aspirateur. Ne jamais laisser de liquide entrer à l'intérieur de l'aspirateur; ne jamais immerger toute partie de l'aspirateur dans un liquide.

**AVERTISSEMENT :** Assurez-vous que l'aspirateur est complètement sec avant de l'utiliser.

**IMPORTANT :** Afin d'assurer votre SÉCURITÉ et la FIABILITÉ du produit, les réparations, l'entretien et les ajustements (autres que ceux énumérés dans le présent manuel) doivent être effectués dans un centre de service BLACK+DECKER ou une entreprise de service autorisée, toujours en utilisant des pièces de remplacement identiques.

## Dépannage

**L'appareil ne fonctionne pas. Contrôler ce qui suit :**

- Le chargeur avait été branché pour la recharge. (Il sera légèrement chaud au toucher.)
- Le cordon du chargeur est bien fixé et non endommagé.
- Le chargeur est branché dans une prise de courant.

**Si la performance de l'aspirateur est faible, vérifiez ce qui suit :**

- Nettoyez les filtres. (Consultez la section **Nettoyer et vider l'aspirateur**.)
- Videz le bac à poussière. (Consultez la section **Nettoyer et vider l'aspirateur**.)

- Nettoyez les brosses rotatives. (Consultez la section **Retirer et nettoyer, les brosses rotatives**.)
- Le voyant DEL clignote de façon continue, branchez le chargeur et effectuez un cycle de recharge

Pour obtenir de l'aide au sujet du produit, visitez notre site Web [www.blackanddecker.com](http://www.blackanddecker.com) pour la localisation du centre de service le plus près de chez vous ou utilisez la ligne d'aide de BLACK+DECKER **1-800-544-6986**.

## Accessoires

Les accessoires recommandés pour utilisation avec votre appareil sont disponibles chez votre détaillant local ou dans un centre de services autorisé. Si vous avez besoin d'aide concernant les accessoires, veuillez appeler au : 1-800-544-6986.

**AVERTISSEMENT :** L'utilisation de tout accessoire non conçu pour cet appareil pourrait être dangereuse.

## Réparations

Le chargeur et le bloc-piles ne peuvent être réparés.

**AVERTISSEMENT :** Pour assurer la SÉCURITÉ et la FIABILITÉ du produit, les réparations, l'entretien et l'ajustement (incluant l'inspection et le remplacement de la brosse, le cas échéant) doivent être effectués par un centre de services de l'usine BLACK+DECKER ou un centre de services autorisé BLACK+DECKER. Utilisez toujours des pièces de remplacement identiques.

## INFORMATION SUR LES RÉPARATIONS

Tous les centres de réparation BLACK+DECKER sont dotés de personnel qualifié en matière d'outillage électrique; ils sont donc en mesure d'offrir à leur clientèle un service efficace et fiable. Que ce soit pour un avis technique, une réparation ou des pièces de rechange authentiques installées en usine, communiquer avec l'établissement BLACK+DECKER le plus près de chez vous. Pour trouver l'établissement de réparation de votre région, composer le numéro suivant : **1 800 544-6986** ou consulter le site [www.blackanddecker.com](http://www.blackanddecker.com)

## GARANTIE LIMITÉE DE DEUX ANS

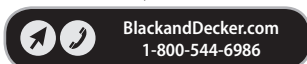
Black & Decker (É.-U.) Inc. garantit que le produit est exempt de défauts de matériau et de fabrication pendant deux(2) ans à partir de la date d'achat, à condition que le produit soit utilisé en milieu domestique. La présente garantie limitée ne couvre pas les défaillances provoquées par un abus, un dommage accidentel ou des réparations ou tentatives de réparations effectuées par toute autre personne que le personnel de BLACK+DECKER et de ses centres de réparation agréés. Un produit défectueux qui remplit les conditions stipulées par la présente garantie sera remplacé ou réparé sans frais d'une des deux façons suivantes :

La première façon consiste en un échange chez le détaillant où le produit a été acheté (à la condition que le magasin soit un détaillant participant). Tout retour doit se faire durant la période correspondant à la politique d'échange du détaillant. Une preuve d'achat peut être requise. Prière de vérifier la politique de retour du détaillant au sujet des délais impartis pour les retours ou les échanges.

La deuxième option est d'apporter ou d'envoyer le produit (en port payé) à un centre de réparation agréé ou à un centre de réparation BLACK+DECKER pour faire réparer ou échanger le produit, à la discrétion de BLACK+DECKER. Une preuve d'achat peut être requise. Les centres de réparation de BLACK+DECKER et les centres de réparation ou en ligne sur [www.blackanddecker.com](http://www.blackanddecker.com).

Cette garantie ne s'applique pas aux accessoires. Cette garantie accorde des droits légaux propres au propriétaire de l'outil. Ce dernier pourrait avoir d'autres droits selon l'État ou la province qu'il habite. Pour toute question, communiquer avec le directeur du centre de réparation BLACK+DECKER le plus près. Ce produit n'est pas destiné à un usage commercial. L'usage commercial de ce produit annule par conséquent cette garantie. Toutes autres garanties, expresses ou implicites, sont déclinées par la présente.

Importé par Black & Decker (U.S.) Inc.,  
701 E. Joppa Rd.  
Towson, MD 21286



## DÉPANNAGE

Problème	Cause possible	Solution possible
• L'appareil refuse de démarrer.	• Bloc-piles non chargée.	• Vérifier les exigences de charge pour le bloc-piles.
• Le bloc-piles ne se charge pas.	• Chargeur non branché.	• Brancher le chargeur dans une prise qui fonctionne. Se reporter à la rubrique <b>Remarques importantes de chargement</b> pour plus de renseignements.
	• Température ambiante trop chaude ou froide.	• Déplacer le chargeur et l'outil à une température ambiante de plus de 4.5 °C (40 °F) ou sous les 40.5 °C (104 °F).

Pour de l'aide avec l'outil, consulter notre site Web [www.blackanddecker.com](http://www.blackanddecker.com) pour l'emplacement du centre de réparation le plus près ou communiquer avec l'assistance BLACK+DECKER au 1-800-544-6986

## Definiciones: Símbolos y palabras de alerta de seguridad

Este manual de instrucciones utiliza los siguientes símbolos y palabras de alerta de seguridad para alertarle de situaciones peligrosas y del riesgo de lesiones corporales o daños materiales.

**⚠ PELIGRO:** Indica una situación de peligro inminente que, si no se evita, provocará **la muerte o lesiones graves**.

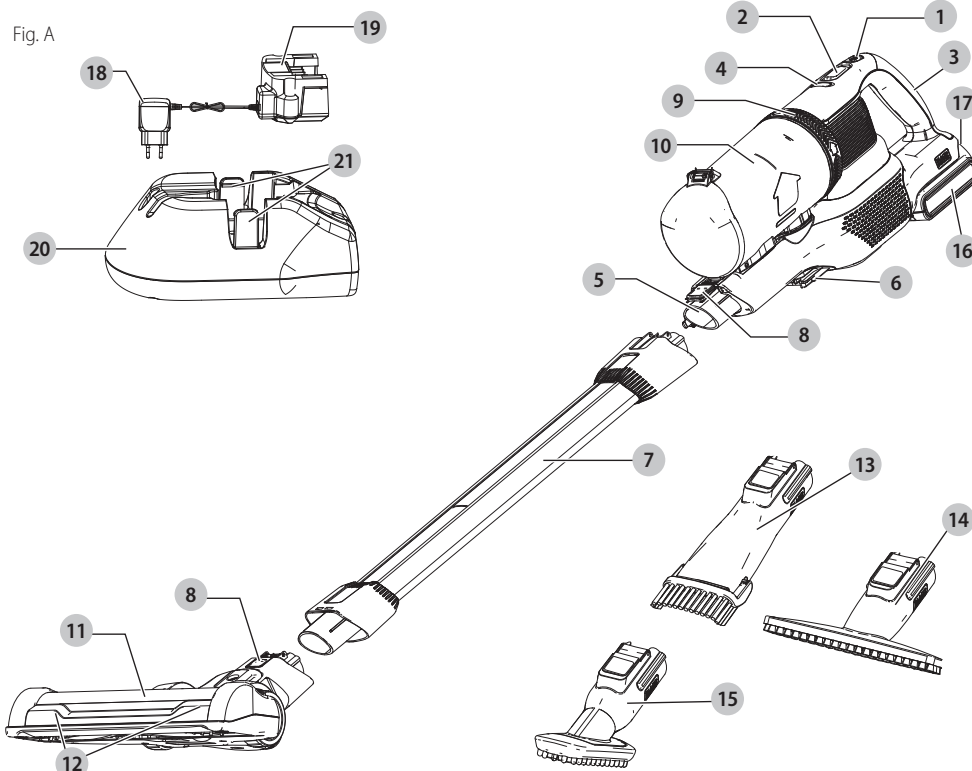
**⚠ ADVERTENCIA:** Indica una situación de peligro potencial que, si no se evita, **podría provocar la muerte o lesiones graves**.

**⚠ ATENCIÓN:** Indica una situación de peligro potencial que, si no se evita, **posiblemente provocaría lesiones leves o moderadas**.

**⚠** (Utilizado sin palabras) indica un mensaje de seguridad relacionado.

**AVISO:** Se refiere a una práctica **no relacionada a lesiones corporales** que de no evitarse **puede resultar en daños a la propiedad**.

Fig. A



- 1 Botón ON/OFF
- 2 Interruptor de potencia variable
- 3 Manija principal
- 4 Botón ON/OFF de cepillo de piso
- 5 Entrada de aspiradora
- 6 Puerto de carga
- 7 Tubo de extensión
- 8 Seguro de liberación de accesorio
- 9 Rueda agitadora de filtro
- 10 Depósito de polvo extraíble
- 11 Cepillo de piso

- 12 Linterna LED
- 13 Herramienta de fisura pequeña
- 14 Herramienta de cepillo de 6
- 15 Herramienta para pelo de mascotas
- 16 Paquete de batería
- 17 Botón de liberación de batería
- 18 Cargador
- 19 Cargador de copa
- 20 Estación de carga
- 21 Lengüetas de retención

**¡ADVERTENCIA!** Lea todas las advertencias de seguridad e instrucciones. El incumplimiento de las advertencias e instrucciones puede provocar descargas eléctricas, incendios o lesiones graves.

**ADVERTENCIA:** Para reducir el riesgo de lesiones, lea el manual de instrucciones.

## INSTRUCCIONES DE SEGURIDAD IMPORTANTES

Cuando use aparatos eléctricos, siempre se deben seguir las precauciones básicas, incluyendo las siguientes:

### LEA TODAS LAS INSTRUCCIONES ANTES DE USAR ESTE APARATO.

**ADVERTENCIA:** Lea todas las advertencias de seguridad y todas las instrucciones. La falla en seguir las advertencias e instrucciones indicadas a continuación puede resultar en descarga eléctrica, incendio y/o lesiones serias.

**ADVERTENCIA:** Algunos polvos domésticos contienen químicos conocidos por el Estado de California que causan cáncer, y defectos de nacimiento u otros daños reproductivos tales como asbesto y plomo en pintura a base de plomo.

**ADVERTENCIA:** No intente modificar o reparar el aparato.

**ADVERTENCIA:** No cargue la batería en temperaturas ambiente menores a 39 °F (4 °C) o mayores a 104 °F (40 °C). Siga todas las instrucciones de carga y no cargue el aparato fuera del rango de temperatura especificado en las instrucciones. Cargar inadecuadamente o en una temperatura fuera del rango especificado puede dañar la batería e incrementar el riesgo de incendio.

**ADVERTENCIA:** Para reducir el riesgo de incendios, descarga eléctrica, o lesiones:

- Riesgo de descarga eléctrica. Para protegerse contra riesgo de descarga eléctrica, no coloque la base de carga en agua u otro líquido.
- No permita que se use como un juguete. Se necesita poner atención cuando sea usado por o cerca de niños.
- Sólo use como se describe en este manual. Sólo use conexiones recomendadas por el fabricante.

- No use con el cable o enchufe dañado. Si el aparato no funciona como debería, se ha dejado caer, se dañó, se dejó en exteriores, o se dejó caer en agua, regréselo a un centro de servicio.
- No jale o transporte por el cable, no use el cable como manija, cierre una puerta sobre el cable, o jale el cable alrededor de bordes o esquinas filosas. No opere el aparato sobre el cable. Mantenga el cable lejos de superficies calientes.
- No desconecte jalando del cable. Para desconectar, sujete el enchufe, no el cable.
- No maneje el cargador, incluyendo el enchufe del cargador, y las terminales del cargador con las manos húmedas.
- No coloque ningún objeto en las aberturas. No lo use con ninguna abertura bloqueada; manténgalo libre de polvo, pelusa, cabello y cualquier cosa que pueda reducir el flujo de aire.
- Mantenga el cabello, ropa suelta, y todas las partes del cuerpo alejados de las aberturas y partes móviles.
- Tenga cuidado adicional cuando limpie en escaleras.
- No lo use para recoger líquidos inflamables o combustibles, tales como gasolina, o en áreas donde puedan estar presentes.
- No recoja nada que esté encendido o humeando, tal como cigarrillos, cerillos, o cenizas calientes.
- No lo use sin bolsa para polvo y/o filtros en su lugar.
- No cargue la unidad en exteriores.
- Sólo use el cargador suministrado por el fabricante para recargar.
- No incinere el aparato incluso si está dañado severamente. Las baterías pueden explotar en el fuego.
- Este aparato está diseñado para uso doméstico únicamente y no para uso comercial o industrial.
- No permita que el cable cuelgue sobre el borde de una mesa o mostrador o toque superficies calientes. La unidad se debe colocar o montar lejos de tarjas y superficies calientes.
- Conecte el cargador directamente en un tomacorriente eléctrico.
- Use el cargador únicamente en un tomacorriente eléctrico estándar (120V/60Hz).
- Desconecte el cargador del tomacorriente antes de cualquier limpieza o mantenimiento de rutina.
- No vea dentro de las ventilas de aire cuando la unidad esté encendida, ya que existe una posibilidad de que se descarguen desechos pequeños de las ventilas de aire, en especial después de la limpieza / reemplazo del filtro ya que el desecho dentro de la unidad se puede mover.
- Pueden ocurrir fugas de las celdas de la batería bajo condiciones extremas. Si el líquido, que es una solución de 20-35% de hidróxido de potasio, tiene contacto con la piel (1) lave rápidamente con agua y jabón o (2) neutralice con un ácido suave tal como jugo de limón o vinagre. Si el líquido entra en los ojos, lávelos de inmediato con agua limpia por un mínimo de 10 minutos. Busque atención médica.

## ADVERTENCIAS DE SEGURIDAD ADICIONALES

- a) **Evite el arranque no intencional.** Asegure que el interruptor esté en la posición apagada antes de recoger o transportar el aparato. Transportar el aparato con su dedo en el interruptor o energizar el aparato que tenga el interruptor encendido puede provocar accidentes.
- b) **Desconecte el paquete de la batería del aparato antes de realizar cualquier ajuste, cambiar accesorios, o guardar el aparato.** Tales medidas preventivas de seguridad reducen el riesgo de encender el aparato por accidente.
- c) **Sólo recargue con el cargador especificado por el fabricante.** Un cargador que es adecuado para un tipo de paquete de batería puede crear un riesgo de incendio cuando se use con otro tipo de batería.
- d) **Use el aparato únicamente con los paquetes de batería diseñados específicamente.** El uso de cualquier otro paquete de batería puede crear un riesgo de lesiones e incendio.
- e) **Cuando el paquete de batería no esté en uso, manténgalo alejado de otros objetos metálicos, como sujetadores de papel, monedas, llaves, clavos, tornillos u otros objetos metálicos pequeños, que puedan hacer una conexión de una terminal a la otra.** Poner en corto las terminales de la batería puede causar quemaduras o un incendio.
- f) **Bajo condiciones abusivas, el líquido puede ser expulsado de la batería; evite el contacto. Si ocurre contacto accidentalmente, lave con agua. Si el líquido hace contacto con los ojos, busque ayuda médica adicional.** El líquido expulsado de la batería puede causar irritación o quemaduras.
- g) **No use un paquete de batería que esté dañado o modificado.** Las baterías dañadas o modificadas pueden presentar comportamiento imprevisto que resulte en incendio, explosión o riesgo de lesiones.
- h) **No exponga un paquete de batería o aparato a fuego o temperatura excesiva.** La exposición a fuego o temperatura mayor a 266 °F (130 °C) puede causar una explosión.
- i) **Siga todas las instrucciones de carga y no cargue el paquete de batería o el aparato fuera del rango de temperatura especificado en las instrucciones.** Cargar inadecuadamente o en una temperatura fuera del rango especificado puede dañar la batería e incrementar el riesgo de incendio.
- j) **Pida que el servicio sea realizado por una persona de reparación calificada usando únicamente partes de reemplazo idénticas.** Esto garantizará que se mantenga la seguridad del producto.
- k) **No modifique ni intente reparar el aparato o el paquete de batería, excepto como se indica en las instrucciones de uso y cuidado.**

# CONSERVE ESTAS INSTRUCCIONES

## Instrucciones de seguridad importantes para todos los paquetes de batería



**ADVERTENCIA:** Lea todas las advertencias de seguridad y todas las instrucciones para el paquete de batería, el cargador y la herramienta eléctrica. La falla en seguir las advertencias e instrucciones puede resultar en descarga eléctrica, incendio y/o lesiones serias.

- **No cargue o use el paquete de batería en atmósferas explosivas, como en la presencia de líquidos, gases o polvo inflamables.** Insertar o retirar el paquete de batería del cargador puede encender el polvo y los vapores.
- **NUNCA fuerce el paquete de batería dentro del cargador. NO modifique el paquete de batería en ninguna forma para instalarlo en un cargador no compatible ya que el paquete de batería se puede romper causando lesiones personales serias.** Consulte la tabla al final de este manual respecto a compatibilidad de las baterías y cargadores.
- **Cargue los paquetes de batería sólo en cargadores BLACK+DECKER designados.**
- **NO salpique ni sumerja en agua u otros líquidos.**
- **No almacene ni use la herramienta y el paquete de baterías en lugares donde la temperatura pueda alcanzar o exceder los 104 °F (40 °C) (como cobertizos exteriores o edificios de metal en verano).** Para obtener la mejor vida útil, guarde los paquetes de baterías en un lugar fresco y seco.  
**NOTA: No guarde los paquetes de baterías en una herramienta con el interruptor de gatillo bloqueado. Nunca sujete con cinta el interruptor de gatillo en la posición ON.**
- **No incinere el paquete de batería incluso si está dañado severamente o está completamente agotada.** El paquete de batería pueden explotar en el fuego. Se crean humos y materiales tóxicos cuando se queman los paquetes de baterías de ion de litio.
- **Si el contenido de la batería entra en contacto con la piel, lave de inmediato el área con jabón suave y agua.** Si el líquido de la batería entra en los ojos, enjuague con agua sobre el ojo abierto durante 15 minutos o hasta que desaparezca la irritación. Si se necesita atención médica, el electrolito de la batería está compuesto por una mezcla de carbonatos orgánicos líquidos y sales de litio.
- **El contenido de las celdas de batería abiertas puede causar irritación respiratoria.** Proporcione aire fresco. Si los síntomas persisten, busque atención médica.

**⚠️ ADVERTENCIA:** *Riesgo de quemadura. El líquido de la batería puede ser inflamable si se expone a chispas o llamas.*

**⚠️ ADVERTENCIA:** *Riesgo de Incendio. Nunca intente abrir el paquete de baterías por ninguna razón. Si la caja del paquete de baterías está agrietada o dañada, no la inserte en el cargador. No aplaste, deje caer o dañe el paquete de la batería. No use un paquete de baterías o cargador que haya recibido un golpe fuerte, se haya dejado caer, se haya aplastado o dañado de cualquier manera (por ej., perforado con un clavo, golpeado con un martillo, o pisado). Los paquetes de batería dañados se deben regresar al centro de servicio para reciclaje.*

**Transporte**

**⚠️ ADVERTENCIA:** *Riesgo de Incendio. No guarde o lleve el paquete de batería de forma que objetos de metal puedan tener contacto con las terminales expuestas de la batería. Por ejemplo, no coloque la batería en delantales, bolsillos, cajas de herramientas, cajas de juegos de producto, cajones, etc., con clavos sueltos, tornillos, llaves, etc. El transporte de baterías puede provocar incendios si las terminales de la batería entran en contacto inadvertidamente con materiales conductores tales como llaves, monedas, herramientas de mano y similares. Las Regulaciones de Material Peligroso [Transportation Hazardous Material Regulations (HMR)] del Departamento de Transporte de los EUA en realidad prohíben transportar baterías en comercio o en equipaje de mano en aviones A MENOS que estén protegidas adecuadamente contra corto circuito. Así que cuando transporte paquetes de batería individuales, asegúrese que las terminales de la batería estén protegidas y aisladas adecuadamente de materiales que pudieran entrar en contacto con ellas y causar un corto circuito.*

**El Sello RBRC®**

El sello RBRC® (Rechargeable Battery Recycling Corporation) en las baterías (o paquetes de baterías) de níquel cadmio, hidruro metálico de níquel o de iones de litio indica que los costos para reciclar estas baterías (o paquetes de baterías) al final de su vida útil ya ha sido pagado por BLACK+DECKER. En algunas áreas, es ilegal colocar baterías de níquel cadmio, hidruro metálico de níquel o de iones de litio en la basura o en el flujo de desechos sólidos municipales y el programa Call 2 Recycle® proporciona una alternativa ecológica.

Call 2 Recycle, Inc., en cooperación con BLACK+DECKER y otros usuarios de baterías, ha establecido el programa en los Estados Unidos y Canadá para facilitar la recolección de baterías de níquel cadmio, hidruro metálico de níquel o de ion de litio. Ayude a proteger nuestro medio ambiente y conservar los recursos naturales devolviendo las baterías



agotadas de níquel cadmio, hidruro metálico de níquel o de iones de litio a un centro de servicio BLACK+DECKER autorizado o a su distribuidor local para su reciclaje. También puede comunicarse con su centro de reciclaje local para obtener información sobre dónde dejar la batería agotada. RBRC® es una marca comercial registrada de Call 2 Recycle, Inc.

**Instrucciones de seguridad importantes para todos los cargadores de batería**

**⚠️ ADVERTENCIA:** *Lea todas las advertencias de seguridad y todas las instrucciones para el paquete de batería, el cargador y la herramienta eléctrica. La falla en seguir las advertencias e instrucciones puede resultar en descarga eléctrica, incendio y/o lesiones serias.*

- **NO intente cargar el paquete de batería con cargadores diferentes a los de este manual.** El cargador y el paquete de batería están diseñados específicamente para funcionar juntos.
- **Estos cargadores no están destinados para ningún otro uso que no sea cargar baterías recargables BLACK+DECKER.** Cualquier otro uso puede resultar en riesgo de incendio, descarga eléctrica o electrocución.
- **No exponga el cargador a la lluvia o la nieve.**
- **Jale por el enchufe en lugar del cable cuando desconecte el cargador.** Esto reducirá el riesgo de daños al enchufe y cable eléctricos.
- **Asegúrese que el cable esté ubicado de forma que no se pueda pisar, provoque tropiezos, o de otra forma esté sujeto a daño o esfuerzo.**
- **No use un cable de extensión a menos que sea absolutamente necesario.** El uso de un cable de extensión inadecuado podría resultar en riesgo de incendio, descarga eléctrica o electrocución.
- **Cuando opere un cargador al aire libre, proporcione siempre un lugar seco y use un cable de extensión adecuado para uso en exteriores.** El uso de un cable adecuado para uso en exteriores reduce el riesgo de descarga eléctrica.
- **Un cable de extensión debe tener un tamaño de cable adecuado (AWG o American Wire Gauge) por seguridad.** Mientras menor es el número de calibre del cable, mayor es la capacidad del cable, es decir, el calibre 16 tiene más capacidad que el calibre 18. Un cable de tamaño inferior causará una caída en el voltaje en línea que resulta en una pérdida de energía y sobrecalentamiento. Cuando use más de una extensión para completar la longitud total, asegúrese que cada extensión individual contenga al menos el tamaño mínimo de cable. La siguiente tabla muestra el tamaño correcto a usar dependiendo de la longitud del cable y la clasificación de amperes de la placa de identificación. Si tiene duda, use el calibre más pesado siguiente. Cuanto menor sea el número de calibre, más pesado será el cable.

**Calibre mínimo de conjuntos de cables**

Voltios	Longitud total del cable en pies (metros)				
	120 V	25 (7,6)	50 (15,2)	100 (30,5)	150 (45,7)
240 V	50 (15,2)	100 (30,5)	200 (61,0)	300 (91,4)	
Amperaje nominal		AWG			
Más de	Más de				
0	6	18	16	16	14
6	10	18	16	14	12
10	12	16	16	14	12
12	16	14	12	No recomendado	

- **No coloque ningún objeto encima del cargador ni coloque el cargador sobre una superficie blanda que pueda bloquear las ranuras de ventilación y provocar un calor interno excesivo.** Coloque el cargador en una posición lejos de cualquier fuente de calor. El cargador se ventila a través de ranuras en la parte superior e inferior del alojamiento.
- **No opere el cargador con un cable o enchufe dañado.**
- **No opere el cargador si recibió un golpe fuerte, se dejó caer o se dañó de cualquier manera.** Llévelo a un centro de servicio autorizado.
- **No desensamble el cargador; llévelo a un centro de servicio autorizado cuando se requiera servicio o reparación.** El reensamble incorrecto puede resultar en un riesgo de descarga eléctrica, electrocución o incendio.
- **Desconecte el cargador del tomacorriente antes de intentar la limpieza. Esto reducirá el riesgo de descarga eléctrica.** Retirar el paquete de batería no reducirá este riesgo.
- **NUNCA intente conectar 2 cargadores juntos.**
- **El cargador está diseñado para operar con corriente eléctrica doméstica estándar de 120V. No intente usarlo en ningún otro voltaje.** Esto no aplica al cargador de vehículos.

**⚠️ ADVERTENCIA:** *Riesgo de descarga eléctrica. No permita que ningún líquido entre al cargador. Puede producirse una descarga eléctrica.*

**⚠️ ADVERTENCIA:** *Riesgo de quemadura. No sumerja la batería en ningún líquido ni permita que ningún líquido entre en la batería. Nunca intente abrir el paquete de baterías por ninguna razón. Si el alojamiento de plástico del paquete de batería se rompe o se agrieta, regréselo a un centro de servicio para reciclaje.*

**⚠️ ATENCIÓN:** *Riesgo de quemadura. Para reducir el riesgo de lesiones, cargue sólo paquetes de baterías recargables BLACK+DECKER. Otros tipos de baterías pueden sobrecalentarse y explotar, causando lesiones personales y daños a la propiedad.*

**AVISO:** *Bajo ciertas condiciones, con el cargador conectado al suministro de alimentación, material extraño puede poner en corto circuito el cargador. Los materiales extraños de naturaleza conductiva tales como, pero sin limitarse a, polvo de pulido, rebabas de metal, lana de acero, papel aluminio, o cualquier acumulación de partículas metálicas se deben mantener alejados de las cavidades del cargador. Siempre desconecte el cargador del suministro de energía cuando no haya paquete de baterías en la cavidad. Desconecte el cargador antes de intentar limpiarlo.*

**Carga de la batería**

Los cargadores BLACK+DECKER están diseñados para cargar paquetes de batería BLACK+DECKER.

**NOTA:** Para garantizar el desempeño y vida óptimos de los paquetes de batería de ion de litio:

- **Cargue el paquete de batería completamente antes del primer uso.**
- **Recargue las baterías descargadas tan pronto como sea posible después de cada uso.**
- **No descargue las baterías completamente.**

El cargador suministrado ofrece tres formas posibles de cargar su batería.

- Carga de copa
- Carga de copa montada en pared
- Carga montada en pared de unidad

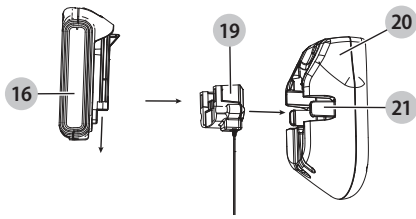
**Carga de copa estándar (Fig. B)**

1. Conecte el cargador en un tomacorriente apropiado antes de insertar el paquete de batería **16**.
2. Inserte el paquete de batería en el cargador de copa **19**.
3. El LED verde comenzará a parpadear indicando que la batería se está cargando.
4. La terminación de la carga se indica por el LED verde que permanece encendido continuamente. El paquete está completamente cargado y se puede usar en este momento o dejarse en el cargador.

**Carga de batería montada en pared (Fig. B)**

1. Marque la ubicación de los orificios para tornillos de la estación de carga en la pared (al alcance de un tomacorriente para cargar la aspiradora mientras está en la estación de carga **20**).
2. Asegure la estación de carga **20** a la pared con los tornillos y los tapones adecuados para el tipo de pared y el peso del aparato.
3. Instale el cargador de copa en la estación de carga (Fig. B). Asegúrese que esté bloqueado en su lugar antes de continuar.  
**NOTA:** Para retirar el cargador de copa de la base de carga, jale las lengüetas de retención **21** y levante el cargador de copa **19**.
4. Conecte el cargador en un tomacorriente apropiado antes de insertar el paquete de batería.
5. Deslice el paquete de la batería **16** en la estación de carga.

Fig. B



### ALMACENAMIENTO Y CARGA DE BATERÍA DE ASPIRADORA MONTADA EN PARED (FIG. C)

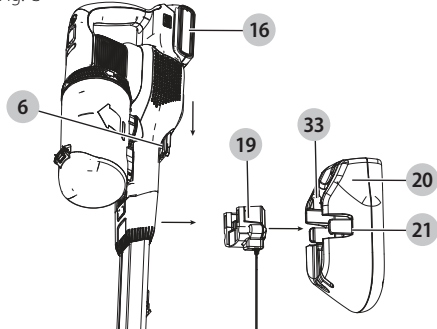
El producto se puede colocar en una pared para proporcionar un almacenamiento conveniente y un punto de carga para el aparato. Cuando se monte en una pared, asegúrese que el método de montaje sea adecuado para el tipo de pared y que sea apropiado para el peso del aparato.

1. Marque la ubicación de los orificios para tornillos de la estación de carga en la pared (en una altura que permita que la unidad cuelgue sin golpear el piso y al alcance de un tomacorriente para cargar la aspiradora mientras está en la estación de carga **20**).
2. Fije la estación de carga **20** a la pared con los tornillos y los tapones adecuados para el tipo de pared y el peso del aparato.
3. Instale el cargador **19** de copa en la estación de carga (Fig. C). Asegúrese que esté bloqueado en su lugar antes de continuar.

**NOTA:** Para retirar el cargador de copa de la base de carga, jale las lengüetas de retención **21** y levante el cargador de copa.

4. Conecte el cargador en un tomacorriente apropiado.
5. Con la batería **16** instalada en la aspiradora, deslice el puerto de carga **6**, ubicado en la base de la aspiradora, sobre las ranuras **33** de la estación de carga.
6. El LED blanco en la aspiradora comenzará a parpadear indicando que la batería se está cargando.
7. Los LED blancos se iluminarán en segmentos, mostrando el estado de carga en la batería.
8. La terminación de la carga se indica cuando se apagan los LED blancos. El paquete está completamente cargado y se puede usar en este momento o dejarse en el cargador.

Fig. C



### Dejar la batería en el cargador

El cargador y el paquete de batería se pueden dejar conectados indefinidamente.

### Instrucciones de limpieza de cargador



**ADVERTENCIA:** *Riesgo de descarga eléctrica. Desconecte el cargador del tomacorriente CA antes de limpiar. La suciedad y grasa se pueden retirar del exterior del cargador con una tela o cepillo no metálico suave. No use agua o ninguna solución de limpieza.*

### Notas Importantes de Carga

1. Se puede obtener una vida más prolongada y mejor desempeño si el paquete de batería se carga cuando la temperatura ambiente esté entre 65 °F y 75 °F (18 °– 24 °C). NO cargue el paquete de batería en temperatura ambiente menor a +40 °F (+4.5 °C) o mayor a +104 °F (+40 °C). Esto es importante y evitará daño serio al paquete de batería.
2. El cargador y el paquete de baterías pueden calentarse al tacto durante la carga. Esta es una condición normal y no indica un problema. Para facilitar el enfriamiento de la batería después de su uso, evite colocar el cargador o la batería en un ambiente cálido, como en un cobertizo de metal o un remolque sin aislamiento.
3. Si la batería no se carga correctamente:
  - a. Verifique la operación del receptáculo conectando una lámpara u otro aparato;
  - b. Revise si el receptáculo está conectado a un interruptor de luz que apague la energía cuando apague las luces;
  - c. Mueva el cargador y el paquete de batería a una ubicación donde la temperatura de aire ambiente sea de aproximadamente 65 °– 75 °F (18 °– 24 °C);
  - d. Si persisten los problemas de carga, lleve la herramienta, el paquete de batería y el cargador a su centro de servicio local.
4. El paquete de batería se debe cargar cuando falle en producir suficiente potencia en trabajos que antes se realizaban fácilmente. NO CONTINÚE usando bajo estas condiciones. Siga el procedimiento de carga. También puede cargar un paquete parcialmente usado cuando lo desee sin ningún efecto adverso en el paquete de baterías.
5. Los materiales extraños de naturaleza conductiva tales como, pero sin limitarse a, polvo de pulido, rebabas de metal, lana de acero, papel aluminio, o cualquier acumulación de partículas metálicas se deben mantener alejados de las cavidades del cargador. Siempre desconecte el cargador del suministro de energía cuando no haya paquete de baterías en la cavidad. Desconecte el cargador antes de intentar limpiarlo.
6. No congele ni sumerja el cargador en agua ni en ningún otro líquido.

## Recomendaciones de almacenamiento

1. El mejor lugar de almacenamiento es aquel que es fresco y seco, alejado de la luz solar directa y del exceso de calor o frío.
2. Para almacenamiento prolongado, se recomienda guardar un paquete de batería completamente cargado en un lugar seco y fresco fuera del cargador para resultados óptimos.

**NOTA:** Los paquetes de batería no se deben guardar completamente descargados. El paquete de batería se necesitará recargar antes del uso.

### CONSERVE ESTAS INSTRUCCIONES PARA USO FUTURO

## SÍMBOLOS

La etiqueta en su herramienta puede incluir los siguientes símbolos. Los símbolos y sus definiciones son los siguientes:

V.....	voltios
A.....	amperios
Hz.....	hertz
W.....	watios
min.....	minutos
~ o AC.....	corriente alterna
— o DC.....	corriente directa
n <sub>o</sub> .....	no velocidad sin carga
ⓘ.....	Construcción Clase I
⊕.....	terminal a tierra (mis à la terre)
Ⓜ.....	Construcción de clase II
⚠.....	símbolo de alerta
./min.....	revoluciones o minuto seguridad
Wh.....	Watt Horas

## ENSAMBLE

**⚠ ADVERTENCIA:** No intente modificar o reparar el aparato.

### Uso pretendido

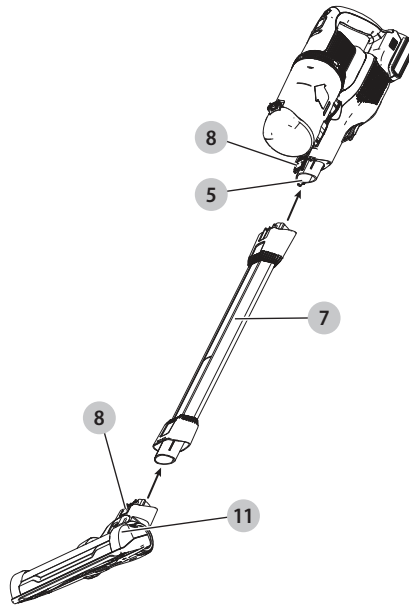
Su aspiradora de bastón 3 en 1 inalámbrica 20V Max\* BLACK+DECKER se diseñó para propósitos de aspirado en seco. Este aparato está diseñado para uso doméstico únicamente.

### Ensamble (Fig. D)

1. Alinee la parte superior del tubo de extensión 7 con la entrada de aspirado 5 como se muestra en la Fig. D.
2. Empuje el tubo de extensión 7 en la entrada de aspirado 5 para que se asegure en su posición.
3. Alinee la parte inferior del tubo de extensión 7 con el cepillo de piso 11 como se muestra en la Fig. D.
4. Presione la parte inferior del tubo de extensión 7 sobre el cepillo del piso 11 para que se asegure en su posición.
5. Para quitar un accesorio, presione el seguro de liberación de accesorios 8 ubicado en la entrada de la aspiradora o la parte inferior del tubo de extensión y jale suavemente el accesorio conectado.

**⚠ ADVERTENCIA:** Cuando no esté en uso, coloque la unidad con la parte trasera de aspirado viendo a una pared de forma que cualquier caída inadvertida de la unidad haga contacto con la pared y no con personas o mascotas.

Fig. D



## OPERACIÓN

**⚠ ADVERTENCIA:** Para reducir el riesgo de lesiones personales, apague la unidad y desconéctela de la fuente de energía, retire el paquete de batería antes de realizar cualquier ajuste o retirar/instalar conexiones o accesorios. Un arranque accidental puede causar lesiones.

### Instalación y desinstalación de paquete de batería (Fig. A)

**NOTA:** Para mejores resultados, asegúrese que su paquete de batería esté completamente cargado.

Para instalar el paquete de batería 16 en la manija de la herramienta, alinee el paquete de la batería con los rieles dentro de la manija de la herramienta y deslícelo en la manija hasta que el paquete de batería esté asentado firmemente en la herramienta y asegúrese que no se desconecte.

Para retirar el paquete de batería de la herramienta, presione el botón de liberación 17 y jale firmemente el paquete de batería de la manija de la herramienta. Insértelo en el cargador como se describe en la sección de cargador de este manual.

## USO

Esta aspiradora se puede usar en una de cuatro maneras.

- Con el tubo de extensión **7** y el cepillo de piso **11**. (Fig. E)
- Con el cepillo de piso **11**. (Fig. F)
- Con el tubo de extensión **7** y la herramienta de accesorios **13**, **14**, **15**. (Fig. G)
- Con la herramienta de accesorios **13**, **14**, **15**. (Fig. H)

Fig. E

Fig. F

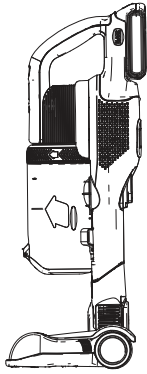
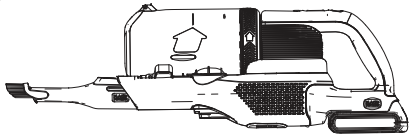


Fig. G



Fig. H



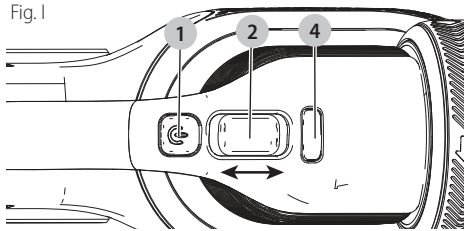
## Encendido y apagado (Fig. I)

- Para encender, presione el botón ON/OFF **1**.
- Para incrementar la potencia, deslice el interruptor de potencia variable **2** hacia adelante.  
**NOTA:** Los LED indicadores de estado de carga se iluminarán mientras la aspiradora esté ENCENDIDA.
- Para apagar, presione el botón ON/OFF **1** una segunda vez.
- Regrese el producto al cargador de inmediato después de cada uso de forma que esté listo y completamente cargado para el siguiente uso. Asegúrese que el producto esté completamente conectado con el enchufe del cargador.

## Apagado y encendido de cepillo de piso (Fig. A, I)

- Para apagar el cepillo de piso, presione el botón ON/OFF de cepillo de piso **4**.
- Para encender el cepillo de piso, presione el botón ON/OFF del cepillo de piso **4** una segunda vez.
- **NOTA:** Las luces de trabajo LED **12** se iluminarán cada vez que se encienda el cepillo de piso.

Fig. I



## Indicador de estado de carga

Este aparato incluye un indicador de estado de carga que consiste en tres luces LED blancas que indican el nivel de carga restante en la batería. Esta función sólo está activa cuando la aspiradora está encendida o durante un ciclo de carga.

El indicador de estado de carga es una indicación de los niveles aproximados de carga restantes en el paquete de batería de acuerdo con los siguientes indicadores:

El indicador de batería LED muestra la carga restante y le advierte cuando la batería es baja. El LED final parpadeará continuamente cuando sólo falta 1 minuto de tiempo de operación. Todos los LEDs parpadearán cuando se descargue la unidad.

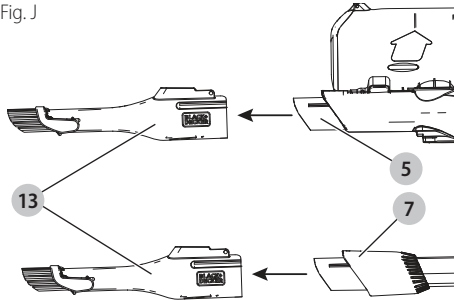
**NOTA:** El indicador de estado de carga sólo es una indicación de la carga que queda en la batería. No indica la funcionalidad de la herramienta y está sujeto a variación en base a los componentes del producto, la temperatura y la aplicación del usuario final.

## Uso de herramienta de accesorio (Fig. A, J)

Su aspiradora puede suministrarse con algunas de las siguientes herramientas:

- Herramienta de fisura pequeña.
- Herramienta de cepillo de 6.
- Herramienta para pelo de mascotas.
- La herramienta de accesorio **13**, **14**, **15** se puede colocar directamente al tubo de extensión **7** o a la entrada de la aspiradora **5** como se muestra en la Figura J.
- Alinee la parte superior de la herramienta de accesorio **13**, **14**, **15** con la entrada de aspirado **5** o el tubo de extensión **7** y empujela para que se asegure en su posición como se muestra en la Fig. J.

Fig. J



## Limpeza y vaciado de aspiradora

**⚠ ADVERTENCIA:** Peligro de Proyectil/  
Respiratorio: Nunca use la aspiradora sin su filtro.

**NOTA:** El filtro es reutilizable, no lo confunda con una bolsa de polvo desechable, y no lo tire cuando se vacíe el producto. Le recomendamos que reemplace el filtro cada 6-9 meses según la frecuencia de uso.

Hay dos métodos para limpiar el depósito, un método de vaciado rápido y un método de limpieza exhaustivo.

### Para vaciar el recipiente de polvo (Fig. K, L)

- Levante y retire el depósito de polvo **10** del chasis **23** como se muestra en la Figura K.
- Coloque el depósito de polvo sobre una cesta de basura y presione el botón de liberación de la tapa del depósito de polvo **24** para vaciar el depósito de polvo como se muestra en la Figura L.
- Cierre la tapa del depósito de polvo **25**, hasta que haga clic firmemente en posición.
- Instale el depósito de polvo extraíble **10** hacia atrás en el chasis **23**.

Fig. K

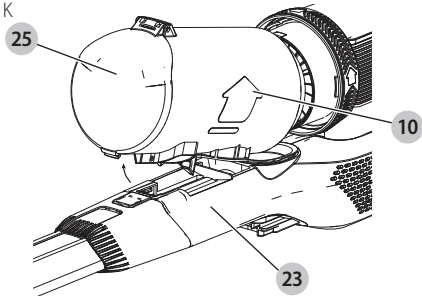
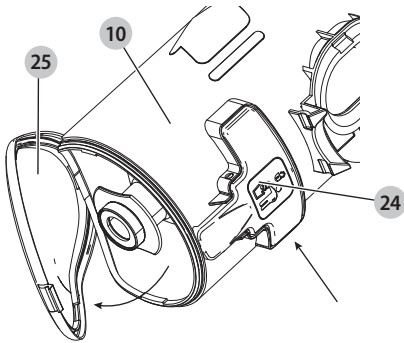


Fig. L

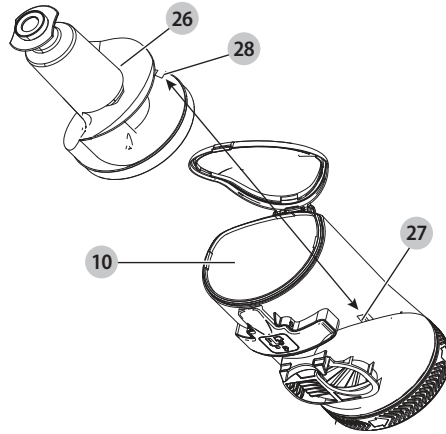


### Desinstalación de pre-filtro (Fig. K, L, M)

- Levante y retire el depósito de polvo **10** del chasis **23** como se muestra en la Figura K.
- Coloque el depósito de polvo sobre una cesta de basura y presione el botón de liberación de la tapa del depósito de polvo **24** para vaciar el depósito de polvo como se muestra en la Figura L.

- Use sus dedos índice y pulgar para pellizcar el pre-filtro **26**, jale el pre-filtro **26** del depósito de polvo **10** como se muestra en la Fig. M.
- NOTA:** El alojamiento del filtro se ajusta cómodamente en el recipiente de polvo y puede ser difícil de quitar al principio.
- Vacíe el depósito de polvo en un depósito de basura.
- NOTA:** Se recomienda que agite el filtro cuando se retire el pre-filtro **26**. Consulte la sección **Agitador de filtro** para obtener instrucciones.
- Instale el pre-filtro **26** en el depósito de polvo **10** asegurándose que la lengüeta del depósito de polvo **27** esté alineada con la ranura del pre-filtro **28** como se muestra en la Fig. M.
- Instale el depósito de polvo en la aspiradora, hasta que haga clic firmemente en posición.

Fig. M

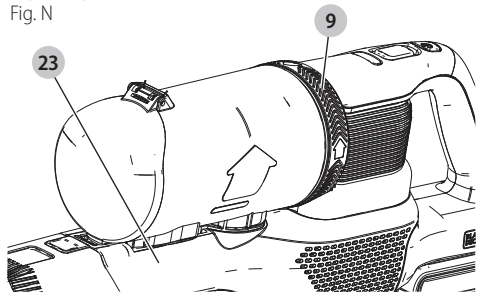


### Agitador de filtro (Fig. K, L, N)

- Levante y retire el depósito de polvo **10** del chasis **23** como se muestra en la Figura K.
- Coloque el depósito de polvo sobre una cesta de basura y presione el botón de liberación de la tapa del depósito de polvo **24** para vaciar el depósito de polvo como se muestra en la Figura L.
- Use sus dedos índice y pulgar para pellizcar el pre-filtro **26**, jale el pre-filtro **26** del depósito de polvo **10** como se muestra en la Fig. M.
- NOTA:** El alojamiento del filtro se ajusta cómodamente en el recipiente de polvo y puede ser difícil de quitar al principio.
- Gire la rueda del agitador del filtro **9** de cinco a diez revoluciones sobre un contenedor de basura para eliminar el exceso de polvo del filtro.
- Vacíe el depósito de polvo en un depósito de basura.
- Instale el pre-filtro **26** en el depósito de polvo **10** asegurándose que la lengüeta del depósito de polvo **27** esté alineada con la ranura del pre-filtro **28** como se muestra en la Fig. M.
- Instale el depósito de polvo en la aspiradora, hasta que haga clic firmemente en posición.

**IMPORTANTE:** La recolección máxima de polvo sólo se obtendrá con filtros limpios y un depósito para polvo vacío. Si el polvo comienza a caer del producto después que se apaga, esto indica que el depósito de polvo está lleno y requiere que se vacíe.

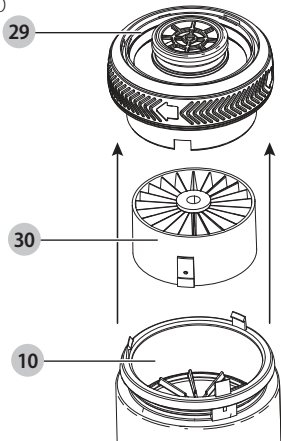
Fig. N



**Desinstalación de filtro (Fig. K, L, O)**

- Levante y retire el depósito de polvo **10** del chasis **23** como se muestra en la Figura K.
- Coloque el depósito de polvo sobre una cesta de basura y presione el botón de liberación de la tapa del depósito de polvo **24** para vaciar el depósito de polvo como se muestra en la Figura L.
- Sujete el alojamiento de la rueda del agitador **29** y jale hacia arriba para retirar.
- Retire el filtro **30** del alojamiento de la rueda del agitador **29** como se muestra en la Fig. O.
- Agite o cepille ligeramente cualquier polvo suelto del filtro.
- Instale el filtro **30** en el alojamiento de la rueda del agitador **29**.
- Instale el alojamiento de la rueda del agitador **29** en el depósito de polvo, hasta que haga clic en su posición.

Fig. O



**Limpieza de filtros**

- Una vez que haya retirado el filtro y el pre-filtro de polvo, sacuda o cepille ligeramente el polvo suelto del pre-filtro **26** y del filtro **30**.
- Enjuague el depósito de polvo **10** con agua jabonosa tibia.
- Lave los filtros con agua jabonosa tibia.

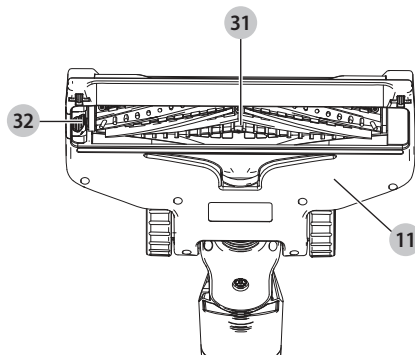
- Asegúrese que los filtros estén completamente secos antes de volver a colocarlos.
- Siga las instrucciones en las secciones **Desinstalación de pre-filtro y Desinstalación de filtro** para obtener instrucciones de ensamble.
- **IMPORTANTE:** La recolección máxima de polvo sólo se obtendrá con filtros limpios y un depósito para polvo vacío. Si el polvo comienza a caer del producto después que se apaga, esto indica que el depósito de polvo está lleno y requiere que se vacíe.
- Lave los filtros regularmente utilizando agua jabonosa tibia y asegúrese que estén completamente secos antes de usarlos de nuevo. Mientras más limpio esté el filtro, mejor se desempeñará el producto.
- Es muy importante que los filtros estén completamente secos y correctamente en posición antes del uso.

**Desinstalación y limpieza de cepillos giratorios (Fig. P)**

**⚠ ADVERTENCIA:** Para reducir el riesgo de lesiones a partir de partes móviles, desconecte el depósito extraíble antes limpiar o dar servicio.

- Para retirar el cepillo giratorio **31** del cepillo de piso **11** presione el botón de liberación **32** como se muestra en la Figura P.
- El cepillo giratorio **31** ahora se puede retirar.
- Limpie el cepillo giratorio y vuelva a instalar. Asegúrese que esté asegurado en su posición de bloqueo antes de operar.

Fig. P



**Reemplazo de filtros**

Los filtros deben reemplazarse cada 6 a 9 meses y siempre que estén desgastados o dañados. Los filtros de repuesto están disponibles en su distribuidor BLACK+DECKER.

Visite [www.blackanddecker.com](http://www.blackanddecker.com) para localizar distribuidores.

- Retire los filtros viejos como se describe en **Limpieza de los filtros**.
- Ajuste los nuevos filtros como se describe en **Limpieza de los filtros**.

(cat. no: BSVF1, BSVFA para aspiradoras de alergia)

## Mantenimiento

Use sólo jabón suave y una tela húmeda para limpiar la aspiradora. Nunca permita que entre líquido a la aspiradora; nunca sumerja ninguna parte de la aspiradora en líquido.

**⚠ ADVERTENCIA:** *Asegúrese que la aspiradora esté completamente seca antes de usarla.*

**IMPORTANTE:** Para garantizar la SEGURIDAD y CONFIABILIDAD del producto, las reparaciones, mantenimiento y ajuste (diferentes a las indicadas en este manual) sólo deben realizar por centros de servicio autorizados u otras organizaciones de servicio calificado, utilizando siempre partes de reemplazo idénticas.

## Solución de problemas

**Si el producto no funciona, revise lo siguiente:**

- El cargador se conectó correctamente para recarga. (Se siente ligeramente caliente al tacto.)
- El cable del cargador no está dañado y está conectado correctamente.
- El cargador está conectado en un tomacorriente eléctrico que funciona.

**Si el rendimiento de la aspiradora es deficiente, verifique lo siguiente:**

- Limpie los filtros. (Consulte la sección Limpieza y vaciado de la aspiradora).
- Vacíe el depósito de polvo. (Consulte la sección Limpieza y vaciado de la aspiradora).
- Limpie los cepillos giratorios. (Consulte la sección Extracción y limpieza de cepillos giratorios).
- El LED parpadea continuamente, conecte el cargador y realice un ciclo de recarga

Para asistencia con su producto, visite nuestro sitio de Internet [www.blackanddecker.com](http://www.blackanddecker.com) respecto a una ubicación del centro de servicio más cercano a usted o llame a la línea de ayuda de BLACK+DECKER al **1-800-544-6986**.

## Accesorios

Los accesorios recomendados para uso con su aparato están disponibles a partir de su distribuidor local o centro de servicio autorizado. Si necesita asistencia respecto a los accesorios, por favor llame al: **1-800-544-6986**.

**⚠ ADVERTENCIA:** *El uso de cualquier accesorio no recomendado para uso con este aparato podría ser peligroso.*

## Reparaciones

No se puede dar servicio al cargador y al paquete de batería.

*Advertencia: Para garantizar la SEGURIDAD y CONFIABILIDAD del producto, las reparaciones, mantenimiento y ajuste (incluyendo inspección y reemplazo de escobillas, cuando sea aplicable) deben ser realizados por un centro de servicio de fábrica BLACK+DECKER o un centro de servicio autorizado por BLACK+DECKER. Siempre use partes de reemplazo idénticas.*

## INFORMACIÓN DE MANTENIMIENTO

Todos los Centros de servicio de BLACK+DECKER cuentan con personal altamente capacitado dispuesto a brindar a todos los clientes un servicio eficiente y confiable en la reparación de herramientas eléctricas. Si necesita consejo técnico, reparaciones o piezas de repuesto originales de fábrica, póngase en contacto con el centro de servicio de BLACK+DECKER más cercano a su domicilio. Para ubicar su centro de servicio local, llame al **1-800-544-6986** o visite nuestro sitio [www.blackanddecker.com](http://www.blackanddecker.com).

## GARANTÍA LIMITADA DE DOS AÑOS

Black & Decker (U.S.) Inc. garantiza que este producto está libre de defectos de material o mano de obra durante un período de dos (2) años desde la fecha de compra, siempre y cuando el producto se utilice en un entorno doméstico. Esta garantía limitada no cubre contra fallas debidas a mal uso, daño accidental o cuando se han realizado o intentado reparaciones por parte de cualquier otra persona ajena a BLACK+DECKER y sus centros de mantenimiento autorizados. Un producto defectuoso que cumple con las condiciones de la garantía establecidas en el presente documento será reemplazado o reparado sin costo de una dos maneras:

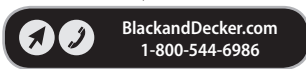
La primera, que únicamente dará lugar a intercambios, consiste en devolver el producto al comerciante minorista donde fue comprado (siempre y cuando la tienda sea un comerciante minorista participante). Las devoluciones deben realizarse dentro del período establecido en la política para intercambios del comerciante minorista. Es posible que se requiera el comprobante de compra. Consulte al comerciante minorista sobre su política específica de devoluciones con respecto a los límites de tiempo para devoluciones o intercambios.

La segunda opción es llevar o enviar (pagado por adelantado) el producto a un centro de mantenimiento de propiedad o con autorización de BLACK+DECKER para su reparación o reemplazo a discreción de BLACK+DECKER. Es posible que se requiera un comprobante de compra. Los centros de mantenimiento de propiedad o con autorización de BLACK+DECKER en línea en [www.blackanddecker.com](http://www.blackanddecker.com).

Esta garantía no se aplica a los accesorios. Esta garantía le otorga derechos legales específicos y es posible que tenga otros derechos que varían de un estado a otro. En caso de que tenga alguna pregunta, comuníquese con el gerente del centro de mantenimiento de BLACK+DECKER más cercano a usted. Este producto no está diseñado para uso comercial y, en consecuencia, dicho uso comercial de este producto anulará la garantía. Por medio del presente documento, se declina la responsabilidad de todas las demás garantías, explícitas o implícitas.

**AMÉRICA LATINA:** Esta garantía no se aplica a productos vendidos en América Latina. Para los productos que se venden en América Latina, consulte la información de garantía específica del país contenida en el empaque, llame a la compañía local o visite el sitio web para obtener dicha información.

Importado por Black & Decker (U.S.) Inc.,  
701 E. Joppa Rd.  
Towson, MD 21286



## Detección de problemas

Problema	Causa posible	Solución posible
• La unidad no enciende.	• El paquete de baterías no está cargado.	• Verifique los requisitos de carga del paquete de baterías.
• El paquete de baterías no carga.	• El cargador no está enchufado.	• Enchufe el cargador en un tomacorriente que funcione. Consulte <b>Notas importantes sobre la carga</b> para conocer más detalles.
	• La temperatura ambiental está demasiado caliente o demasiado fría.	• Traslade el cargador y el paquete de baterías a una temperatura ambiental que esté por encima de 4,5 °C (40 °F) o por debajo de 40 °C (104 °F).

Para conocer la ubicación del centro de servicio más cercano a fin de recibir ayuda con su producto, visite nuestro sitio Web [www.blackanddecker.com.mx](http://www.blackanddecker.com.mx) o llame a la línea de ayuda BLACK+DECKER al 01 800 847 2309/01 800 847 2312.

**Compatible battery packs and chargers / Blocs-piles et chargeurs compatibles /  
Baterías y cargadores compatibles**

<b>20V Max* Li-Ion</b>	Battery Packs Blocs-piles Baterías	LBXR20, LB20, LBX20, LBXR20BT**, LB2X3020, LB2X4020, LBXR2020
	Chargers Chargeurs Cargadores	LCS20, LCS201, LCS1620, BDCA202B, BDCAC60B, L2AFC, L2AFCBST, LCS200

\* Maximum initial battery voltage (measured without a workload) is 20 volts. Nominal voltage is 18.

\* La tension initiale maximum du bloc-piles (mesurée à vide) est de 20 volts. La tension nominale est de 18.

\* El máximo voltaje inicial de la batería (medido sin carga de trabajo) es 20 voltios. El voltaje nominal es de 18.

\*\*BT - Bluetooth®

**NOTE:** The Bluetooth® word mark and logos are registered trademarks owned by the Bluetooth®, SIG, Inc. and any use of such marks by BLACK+DECKER is under license. Other trademarks and trade names are those of their respective owners.

**REMARQUE :** le mot servant de marque et les logos Bluetooth® sont des marques déposées appartenant à Bluetooth SIG, Inc. et toute utilisation de ces marques par BLACK+DECKER est sous licence. Les autres marques de commerce et noms commerciaux sont ceux de leurs détenteurs respectifs.

**NOTA:** La palabra y los logotipos de Bluetooth® son marcas registradas propiedad de Bluetooth®, SIG, Inc. y BLACK+DECKER utiliza dichas marcas bajo licencia. Otras marcas comerciales y nombres comerciales pertenecen a sus respectivos propietarios.



## SOLAMENTE PARA PROPOSITOS DE MEXICO

### **Grupo Realsa en herramientas, S.A. de C.V.**

Súper Manzana 69 MZ.01 Lote 30  
(Av. Torcasita)  
Col. Puerto Juárez  
Cancún, Quintana Roo  
Tel. 01 998 884 72 27

### **Ferre Pat de Puebla, S.A. de C.V.**

16 de Septiembre No. 6149  
Col. El Cerrito  
Puebla, Puebla  
Tel. 01 222 264 12 12

### **Ferre Pat de Puebla, S.A. de C.V.**

Ejército Mexicano No. 15  
Col. Ejido 1ro. de Mayo  
Boca del Rio, Veracruz  
Tel. 01 229 167 89 89

### **Servicio de Fabrica BLACK+DECKER, S.A. de C.V.**

Lázaro Cardenas No. 18  
Col. Obrera  
Distrito Federal  
Tel. 55 88 95 02

### **Representaciones Industriales Robles, S.A. de C.V.**

Tezozomoc No. 89  
Col. La Preciosa  
Distrito Federal  
Tel. 55 61 86 82

### **Gpo. Comercial de Htas. y Refacciones de Occidente, S.A. de C.V.**

Av. La Paz No. 1779  
Col. Americana, S. Juárez  
Guadalajara, Jalisco  
Tel. 01 33 38 25 69 78

### **Herramientas y Equipos Profesionales**

Av. Colón 2915 Ote.  
Col. Francisco I. Madero  
Monterrey, Nvo. León  
Tel. 01 81 83 54 60 06

### **Htas. Portátiles de Chihuahua, S.A. de C.V.**

Av. Universidad No. 2903  
Col. Fracc. Universidad  
Chihuahua, Chihuahua  
Tel. 01 614 413 64 04

### **Fernando González Armenta**

Bolivia No. 605  
Col. Felipe Carrillo Puerto  
Cd. Madero, Tamaulipas  
Tel. 01 833 221 34 50

### **Perfiles y Herramientas de Morelia**

Gertrudis Bocanegra No. 898  
Col. Ventura Puente  
Morelia, Michoacán  
Tel. 01 443 313 85 50

### **Enrique Robles**

Av. de la Solidaridad No. 12713  
Col. La Pradera  
Irapuato, Guanajuato  
Tel. 01 462 626 67 39

### **Hernández Martínez Jeanette**

Prolongación Corregidora Nte. No. 1104  
Col. Arboledas  
Queretaro, Qro.  
Tel. 01 442 245 25 80

**PARA OTRAS LOCALIDADES LLAME AL 01 800 847 2309 o 01 800 847 2312.**

BLACK & DECKER S.A. DE C.V.  
BOSQUES DE CIDROS ACCESO RADIATAS NO. 42  
COL. BOSQUES DE LAS LOMAS.  
05120 MÉXICO, D.F.  
TEL. (01 55) 5326 7100  
01 800 847 2309/01 800 847 2312

Black & Decker (U.S.) Inc.  
701 East Joppa Road, Towson, MD 21286  
Part No. N714229  
BSV2020, BSV2020A, BSV2020P  
JUNE 2019

Copyright © 2019 BLACK+DECKER