

This Owner's Manual is provided and hosted by [Appliance Factory Parts](#).



# ASKO D1716SS Owner's Manual

[Shop genuine replacement parts for ASKO D1716SS](#)

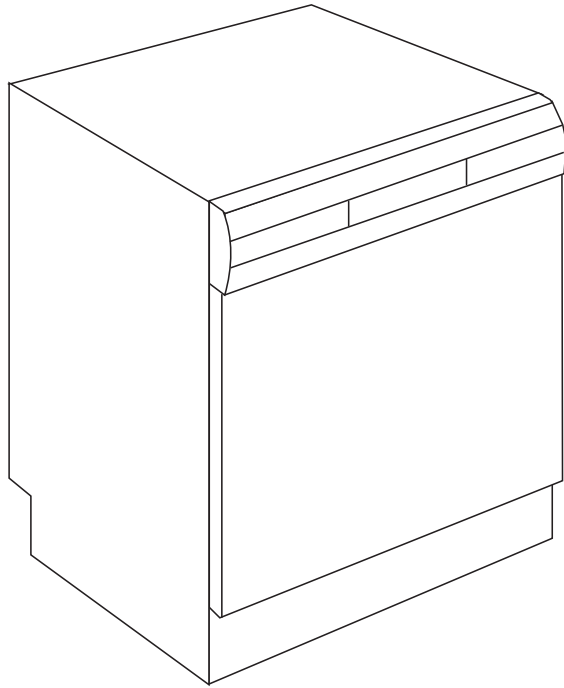


[Find Your ASKO Dishwasher Parts - Select From 210 Models](#)

----- Manual continues below -----

**DEAR ASKO CUSTOMER**

Welcome to the family of ASKO customers. We hope that you will get many years of good use of your new dishwasher. The dishwasher is very sophisticated. In order to get best possible use of your machine and all its functions we recommend you to read this Use and Care Guide before you use the dishwasher.



# Use & Care Guide

## ASKO D1716

# SERVICE & GUARANTEE

---

## **SERVICE**

Before calling for service, check to see whether the fault is due to something that you can put right yourself. See Trouble shooting pages 20-21.

## **GUARANTEE**

For guarantee details, see the guarantee card.

# CONTENTS

---

## READ FIRST

Safety	4
Children's safety	5
The parts of the dishwasher	6
Technical data	6
Baskets	7
Dispenser	8
Control panel, symbols	8

## HOW TO USE THE DISHWASHER

Before you start	9
Basic instructions	9-11
Standard programmes	12
Programme options	13
Eco wash	14
Delicate and sensitive washing up	15

## CARE

Cleaning	16-17
Rinse aid	18
Salt	19

## FAULTS

Trouble shooting - Results	20-21
Trouble shooting - Dishwasher	22

## MISCELLANEOUS

Performance information	23
Quick guide	24

## INSTALLATION

See instructions for installation

# INDEX

---

Children's safety	5	Quick guide	24
Crystal glass, see Delicate wash		Rinse aid	18
Degree of hardness, see water hardness		Safety	4-5
Delicate wash	15	Salt	19
Detergent	8, 10	SCS (Super Cleaning System™)	9
Dispenser	8	Service	2
Disposal	4-5	Silver, see Delicate wash	
Energy consumption	12	Times	12
Energy saving	13-14	Water consumption	12
Environment	4, 9, 14	Water setting, see Installation	
Lime deposits	16	Water softener	19
Options	13	Water hardness	9, 18-19
Plastic items, see Delicate wash		Wetting agent, see Rinse aid	
Poor results	16-21	Winter storage	4
Programmes	12		

# SAFETY



## GENERAL

- Study and save the operating instructions for future reference.
- Services to the dishwasher, ie, water supply, drain, electric power, should be connected by an authorized person.
- Do not use the dishwasher for other purposes than those stated in the operating instructions.
- Do not subject the dishwasher door or the baskets to any other load in addition to the dishware.
- Use only dishwasher detergent.
- Place cutlery and other sharp objects so that they cannot cause injury, or damage to the appliance.
- Do not touch the heating element at the bottom of the dishwasher - it is very hot during and for a period following the dishwashing process.

Never place items containing remains of solvents in the machine, ie, danger of explosion. Dishware containing ashes, wax or lubricating grease may not be washed in the machine.

Place objects made of wood or plastic in the upper basket, ie, so that they do not fall down onto the heating element at the bottom of the machine (fire hazard).

## INSTALLATION

See the enclosed instructions for installation.

## TRANSPORT/WINTER STORAGE

Transport the machine in an upright position or lying on its back. Drain off all water from the drain pump and the inlet valve if the machine is to be transported, or stored in unheated premises, in the winter - call your local dealer.

## PULL-LATCH (FULLY INTEGRATED MACHINES ONLY)

The machine will stop if the door is opened during operation. However, since the machine is fitted with a pull-latch, splashing may occur if the door is opened too quickly. Therefore, unlatch the door carefully and wait until the spray arms have stopped rotating before opening fully.

## OVERFILL PROTECTION

The overfill protection starts the drain pump and switches off the water inlet if water rises above the normal level. If the overfill protection becomes activated, turn off the water supply and call for service.

## CLEANING

Use only a damp cloth to clean the edge around the door. Do not use a spray. Water can enter the lock and come into contact with the electric components.

## WRAPPINGS

Sort the wrapping material according to recommendations by the local authorities.

## DISPOSAL

When the machine is no longer useful and is to be scrapped it should be made unusable. Disconnect and cut off the electric cable close to the machine.

Get in touch with the refuse collection service or your local authorities for advice on how to scrap the machine in a proper manner.

The machine is made and marked for recycling.

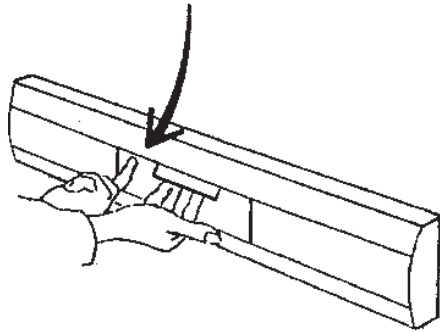
# CHILDREN'S SAFETY!



## MACHINE WITH CHILD-SAFETY LOCK?

To activate the child-safety lock, if fitted, lift and turn the screw slot with a screwdriver to a horizontal position. The screw slot is located to the left of the handle. Reset by turning the slot to its vertical position.

To open the door, hold the catch with your left hand and pull the main catch with your right hand in the usual way.



## CHILD-SAFE DISHWASHING

Use the knife basket, or the knife rack, for all long or sharp items. If this feature is not fitted, put such objects in the cutlery basket with the sharp edge downwards.

Always close the door and start the programme as soon as you have filled with detergent.

Keep small children away from the machine when it is open. There may be remains of detergent left inside the machine.

Do not allow children to use or play with the machine. Take particular care when the door is open.

## PROTECT CHILDREN - MACHINE DETERGENT IS CORROSIVE

Keep detergent and rinse aid out of the reach of children. If anyone swallows dishwasher detergent, give plenty to drink immediately, ie, one or two glasses of milk or water. Do not try to induce vomiting. Seek medical advice without delay. If dishwasher detergent gets in the eyes, rinse with plenty of water for at least 15 minutes.

# THE PARTS OF THE DISHWASHER\*

1. KNIFE BASKET

2. UPPER BASKET

3. LAMP

4. SPRAY ARMS

5. LOWER BASKET

6. CUTLERY BASKET

7. RINSE AID FILLING

8. RINSE AID DISPENSER

9. DETERGENT COMPARTMENT

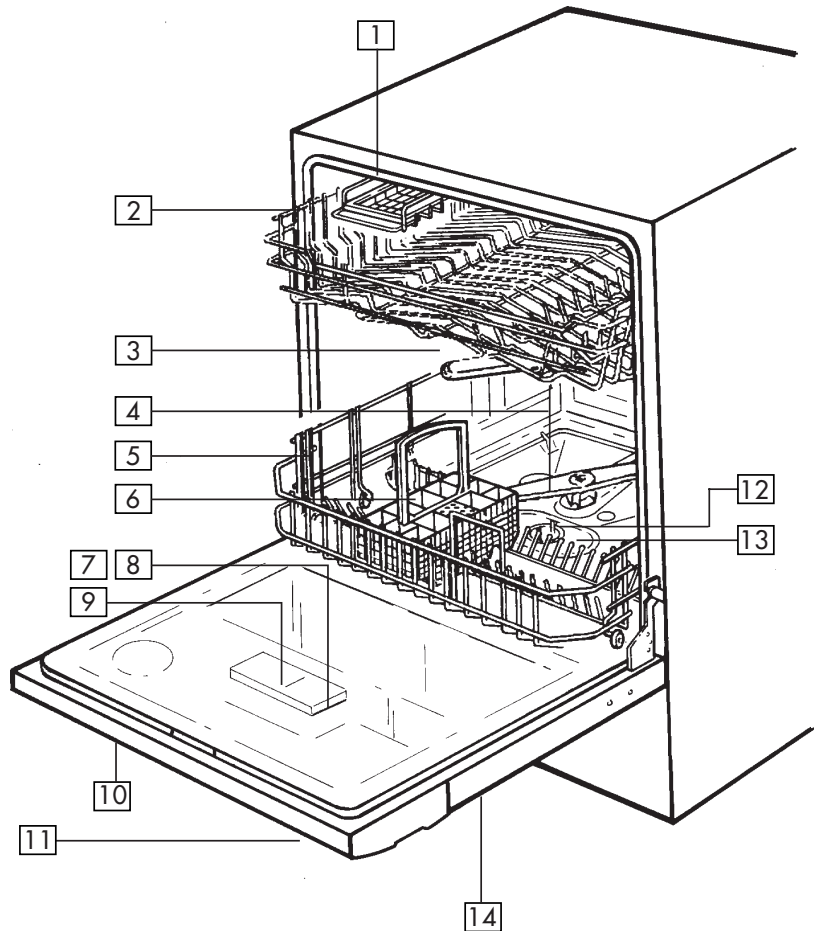
10. MAIN POWER SWITCH

11. PROGRAMME PANEL

12. COARSE FILTER

13. FINE FILTER

14. TYPE PLATE



\* Deviations may occur depending on the model and the market concerned.

## TECHNICAL DATA

HEIGHT	820–890 MM
WIDTH	596 MM
DEPTH	550 MM****
WEIGHT	48 KG/51 KG WITH SOFTENER*
CAPACITY**	14 COVERS
WATER PRESSURE	0.15–1.0 MPA (1.5–10 KP/CM <sup>2</sup> )
MAX. TEMPERATURE INLET-WATER	80° C
POWER SUPPLY	SINGLE PHASE, 230 V, 50HZ 10/16A***
MAX. CONNECTING POWER	2 000 W***
ACCESSORIES	WORKTOP, SIDE PLATES, ANTI-TIP DEVICE, TRIMMING FRAMES

\*\*According to standard, AS/NZS 2007.1.

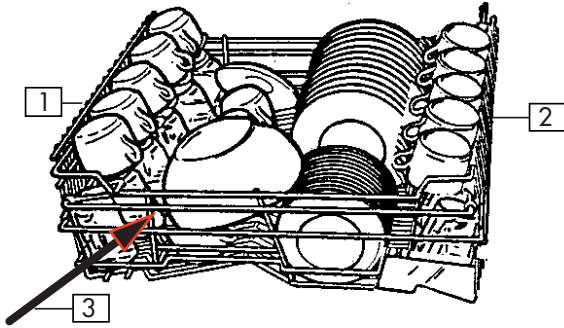
\*\*\*See type plate.

\*\*\*\*Without wooden door fitted.

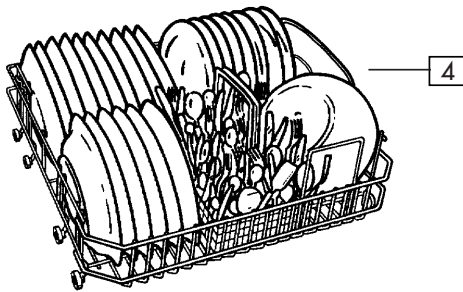
# DISHWARE BASKETS\*

---

## Upper basket



## Lower basket



---

1. ADJUSTABLE AND FOLDING RACKS

---

2. DIVIDED CUP SHELF

---

3. FOLDABLE GLASS THREAD

---

4. LOWER BASKET

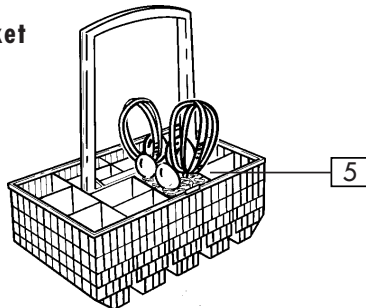
---

5. CUTLERY BASKET WITH ADJUSTABLE AND FOLDING COVER

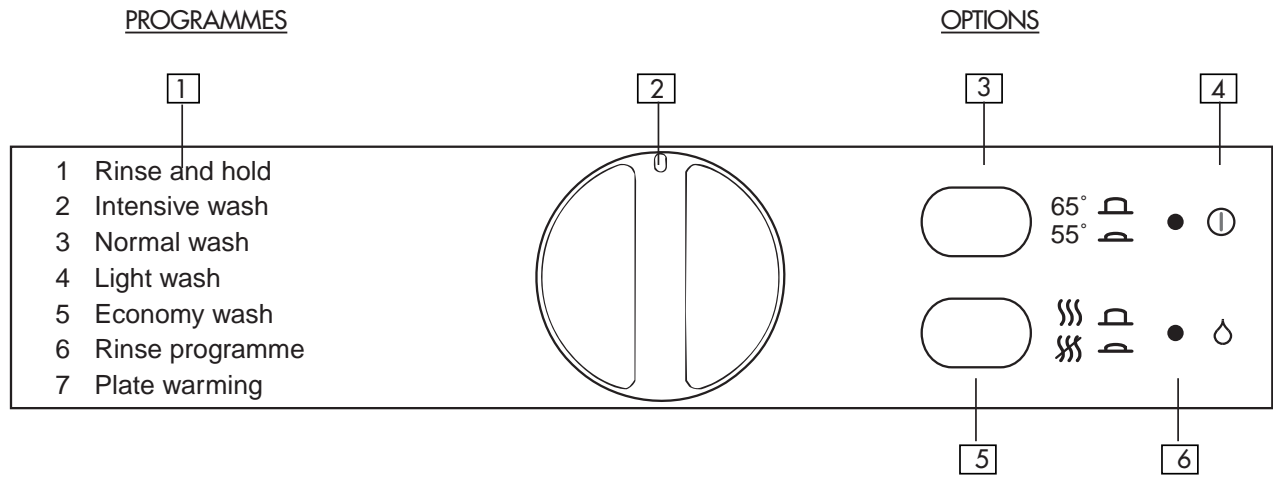
---

\* Deviations may occur depending on the model and the market concerned.

## Cutlery basket



# CONTROL PANEL



1. PROGRAMMES

2. PROGRAMME CONTROL KNOB

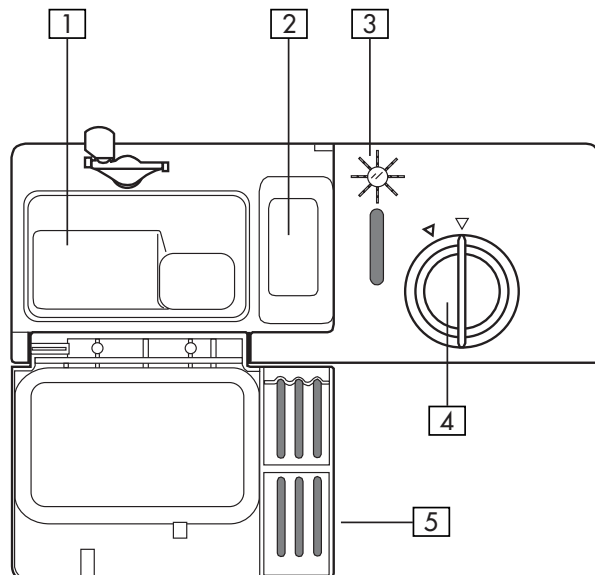
3. TEMPERATURE CHOICE

4. MAIN POWER INDICATION

5. DRYING CHOICE

6. RINSE-AID INDICATION

# DISPENSER



1. COMPARTMENT FOR MAIN WASH  
DETERGENT

2. COMPARTMENT FOR PRE-WASH DETERGENT

3. RINSE-AID INDICATOR

4. RINSE-AID LID

5. DETERGENT COMPARTMENT LID

# BEFORE USING THE DISHWASHER FOR THE FIRST TIME:

---

## READ THE OPERATING INSTRUCTIONS

Read through the operating instructions before attempting to use the dishwasher, particularly the sections: Safety, Children's safety, and Basic instructions.

## BE CAUTIOUS WITH CERTAIN MATERIALS

Read the Delicate wash section before washing any porcelain or china that has "on-glaze" decoration, or crystal glassware, or items made of wood or plastic material.

## CHECK THE DOOR SETTING

Ensure that the door of the machine is properly balanced, ie, open it a little and release it. Does

it stop exactly where you released it? If not, check the installation instructions or consult the person responsible for the installation.

## CHECK HARDNESS OF THE WATER

Call your local water company to find out what degree of water hardness applies. This has significance in relation to the amount of detergent and rinse aid that should be dispensed.

## IF YOUR MACHINE IS EQUIPPED WITH A WATER SOFTENER

Set the softener when you know what degree of water hardness applies, see Softener. Fill with salt before starting the machine, see Salt.

# BASIC INSTRUCTIONS

---

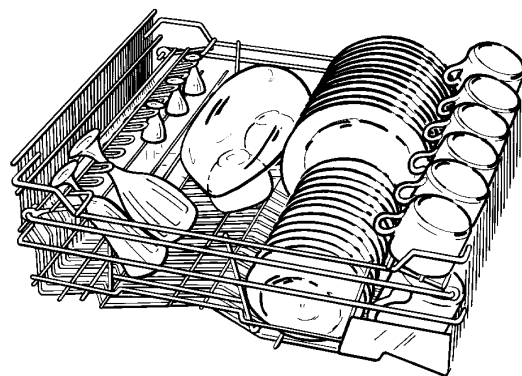
The following step-by-step instructions will help you to achieve the best possible results.

## 1 FILL THE BASKETS PROPERLY

Your dishwasher features the ASKO Super Cleaning System™. After the pre-wash, the main wash is started with clean water and a clean machine and therefore it is not necessary to rinse dishware before washing up.

However, remove large particles of food and waste. This is convenient and environment friendly.

Place glasses, cups, saucers and small plates in the upper basket, with long-stemmed glasses leaning against the recessed rack, and knives in the knife rack if fitted.



## N.B.

Position the soiled surfaces facing downwards or inwards.



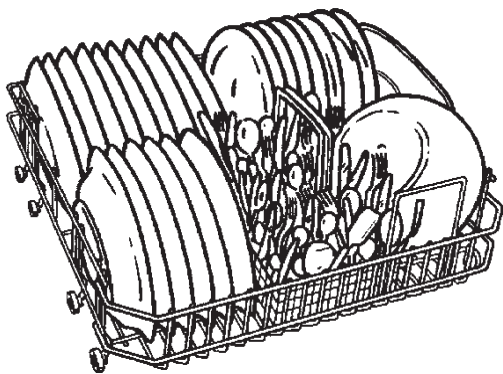
Place larger plates, dishes, pots, saucepans and cutlery (in the cutlery basket) in the lower basket. The detachable plate rack that is supplied with some models can easily be lifted out to provide space for big plates, saucepans and pots, or be fitted in one of the three different positions.

Place cutlery with the handles downwards and spread out as much as possible. Make certain that spoons do not “nest” with each other.

Avoid placing cutlery made of different materials in the same compartment, eg, silver and stainless because of the risk of discolouration.

The cutlery basket has a folding cover in the middle, which can be used to protect small items or in which to insert slender handles, eg, electric whisks.

Put long cutlery and knives in the special knife basket, if fitted, or in the upper basket.



Ensure that the spray arms can rotate freely. See Delicate wash, if you wish to wash sensitive items.

## 2 DOSING THE DETERGENT

The amount of detergent used should be in re-

lation to hardness of the water.

Follow the instructions on the detergent packet. If your dishwasher is equipped with a softener, use the dose recommended for soft water.

Pour detergent into the detergent compartment. There is one space for pre-wash and one for main wash, see Dispenser. Call the maker of the detergent if you have any questions concerning the detergent.

## WARNING



**Dishwasher detergent is corrosive - Take care to keep it out of reach of children.**

## CAUTION

**Use dishwasher detergent only.**

Detergents intended for washing up by hand are unsuitable and should not be used because the lather would obstruct the working of the machine.

## 3 CLOSE THE DOOR AND TURN ON THE MAINPOWER



## 4 SELECT A PROGRAMME AND OPTION

The machine will start.

### 1. Rinse and hold

For rinsing, with the intention of waiting until the machine is full before washing.

## **2. Intensive wash**

Use the Intensive wash programme for heavily soiled ware, such as pots and pans, and gratin forms. The dishwasher can suitably be loaded with other items if not completely filled.

## **3. Normal wash**

Use this programme for normal washing. It is devised for normally soiled glasses, cups and saucers, plates, dishes, etc.

## **4. Light wash**

Use this programme if the wash is not particularly heavily soiled. It is provided for glasses and china, which are washed immediately after being used and therefore do not need a stronger programme.

## **5. Economy wash**

Use this programme for cups and glasses which are washed immediately after being used.

## **6. Rinse programme**

This is a suitable programme if say you are making jam and want to rinse and warm previously washed jam jars.

## **7. Plate warming**

Is used to heat plates.

## **Delicate ware**

Eliminate heated drying if you want to be extra careful. See also, Delicate wash.

## **Want to change your mind?**

If you want to change the programme after you have started the machine, select a new programme by turning the programme control knob.

## **Want to put more things in the dishwasher?**

Open the door carefully, and the machine will stop automatically. Put the dishes in the machine, close the door and the machine will continue where it left off.

## **If you stop the machine with the main power switch**

(or if there is a power failure) before the programme is finished, the programme will continue from where it was interrupted when power is restored.

## **5 AFTER WASHING**

When the machine has stopped, it consumes extremely little power. To switch it off completely, turn off the main power switch. Turn off the water tap if the machine is to be left unattended for a long period, eg, during holidays.

### **Hint!**

If you select unheated drying, you can speed up drying by opening the door ajar to allow the moist air to escape.

# STANDARD PROGRAMMES

PROGRAMME		RINSE AND HOLD	INTENSIVE WASH 65°	NORMAL WASH 65°	NORMAL WASH 55°	LIGHT WASH	ECONOMY WASH	RINSE PROGRAMME	PLATE WARM.
<b>HOW THE MACHINE WORKS</b>									
Temperature		-	65°	65°	55°	55°	55°	55°	65°
Pre-wash with SCS* (number)		-	3	2	2	1	-	-	-
Main wash (number)		-	1	1	1	1	1	-	-
Rinsing (number)		1	2	2	2	2	2	1	-
Drying heat		No	Yes	Yes	Yes	No	No	Yes	Yes
<b>CONSUMPTION FIGURES</b>									
1	Washing time (ca. min)*	4	92	75	75	70	60	20	12
	Energy (ca. kWh)	0.01	1.1	0.8	0.6	0.5	0.4	0.4	0.2
2	Washing time (ca. min)**	4	120	95	90	85	70	26	12
	Energy (ca. kWh)	0.01	2.1	1.4	1.2	1.0	0.9	0.6	0.2
	Water (litre)***	3.7	22.0	18.5	18.5	15.0	11.5	3.7	-

\* SCS = Super Cleaning System™.

\*\* Washing time can vary depending on temperature of the water, variations in power, etc.

\*\*\* Water consumption is about two litres higher for machine fitted with softener filter.

1 Connection to hot water ca. 60°C.

2 Connection to cold water ca. 15°C.

# OPTIONS

---

## **DRYING HEAT**

If you select unheated drying, the dishes will dry a little more slowly. You can speed up drying by opening the door ajar to allow the moist air to escape.

## **TEMPERATURE OPTION**

You can select the temperature in any programme. Choose 55°C instead of 65°C for reduced energy consumption.

# ECO WASH

---

## **WASH ONLY WHEN FULL**

Save energy by not running the machine until it is completely full.

## **WASH AT LOWER TEMPERATURE**

If dishware is only lightly soiled you can suitably reduce the temperature for Intensive and Normal wash to 55°C.

## **CONNECT TO COLD WATER SUPPLY**

If the machine is connected to a cold water supply, running time will be longer because heating of the water will take longer. The longer washing phase allows you to run a programme at a lower washing temperature and still get the same results.

However, if you are connected to a district heating supply it will probably be more economical to connect the dishwasher to the hot water supply.

## **SELECT A PROGRAMME WITHOUT DRYING HEAT**

If you choose an Intensive wash or Normal wash programme without drying heat, the machine will dry using the fan only. When washing is completed, leave the door ajar to speed up the drying process by allowing moist air to escape.

## **AVOID RINSING BEFORE WASHING**

Thanks to the Super Cleaning System™, you do not need to rinse your dishes under running water before putting them in the dishwasher. The machine always starts the main wash with clean water and a clean machine.

## **USE AN ENVIRONMENT-FRIENDLY DETERGENT**

Study the environment information on the packet.

# DELICATE AND SENSITIVE DISHWARE

---

For a variety of reasons, some articles are unsuitable for machine washing. Some materials cannot withstand high temperature, others can be damaged by dishwasher detergents.

## **SENSITIVE DECORATION**

China that has “on-glaze“ decoration (feels a little rough) should not be machine washed.

## **GLASSWARE/CRYSTAL**

Position the items so that they do not knock against one another. Use the lowest dishwashing temperature and the shortest possible programme. No drying heat. Antique objects and very delicate items should not be machine washed.

Glasses that are washed in a dishwasher at high temperature can in time permanently lose their lustre. Wash glasses with a small amount of detergent.

## **SILVER**

Silver and stainless steel items should not be allowed to touch each other because the silver could otherwise become stained.

## **CUTLERY WITH BONDED HANDLES**

Some types of adhesive cannot withstand machine washing, ie, cutlery handles are likely to loosen.

## **WOODEN ITEMS**

Wooden items should only be machine washed if especially recommended.

## **ALUMINIUM**

Aluminium can be dulled by machine washing. However, good quality aluminium saucepans can be machine washed, although you must expect their polished finish to be affected.

## **PLASTIC MATERIAL**

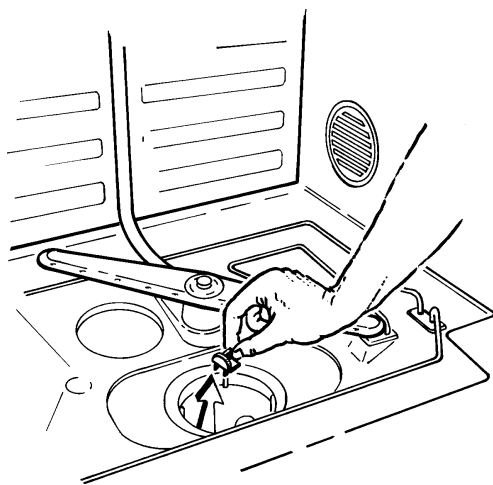
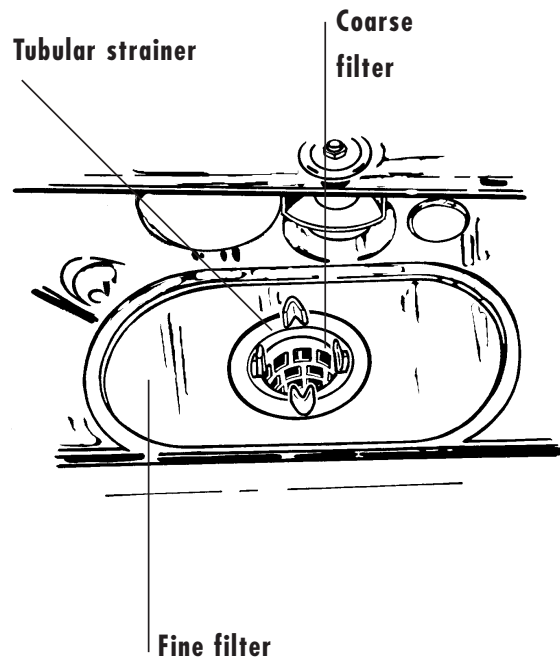
Some plastic materials cannot withstand the high temperature used in a dishwasher.

### **To protect plastic items**

Select a low-temperature programme, 55°C without heat drying. Place the objects in the upper basket away from the heating element.

# CLEANING

---



## CLEANING

The inside of the machine is made of stainless steel, which is kept clean by normal use. However, deposits of lime can be formed inside the machine if the water is hard. If this happens, run a Normal wash programme with two tablespoonful of citric acid in the detergent compartment.

### Coarse filter

The coarse filter catches larger particles of food that would otherwise tend to clog the drain pump. Lift out the coarse filter and clean as required. Remember to put it back into place.

### Fine filter

Remains caught by the fine filter are flushed away automatically each time the machine is used. Clean the fine filter several times a year. To release the fine filter, screw out the tubular part and lift it and the coarse filter straight up. Clean using a dishbrush. When replacing the fine filter, ensure that its edges seal properly.

### Drain pump

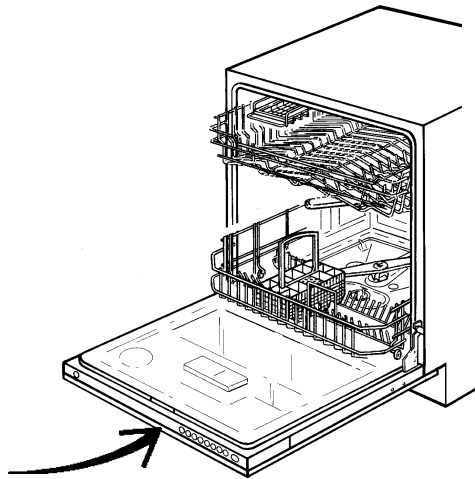
The pump can be reached from inside the machine. First remove the coarse filter, fine filter and tubular part. Then remove the small black/yellow adapting piece to the left in the bottom drain.

There you can reach the pump blade and remove any obstruction. Fit the adapting piece, the filters and the tubular part back into place.

## WARNING

Don't forget to fit the adapting piece.





### **Spray arms**

Spray-arm jets and bearings may sometimes become clogged. Screw off the nut and take off the washer on top of the spray arm and lift off the arm. Poke out any obstructions with a skewer or other suitable pointed tool. The spray-arm jets face downwards.

### **Door**

To clean the edge round the door, use only a damp rag and possibly a little detergent. To prevent penetration of water into the door lock and electrical components, do not use a spray of any kind.

### **WARNING**



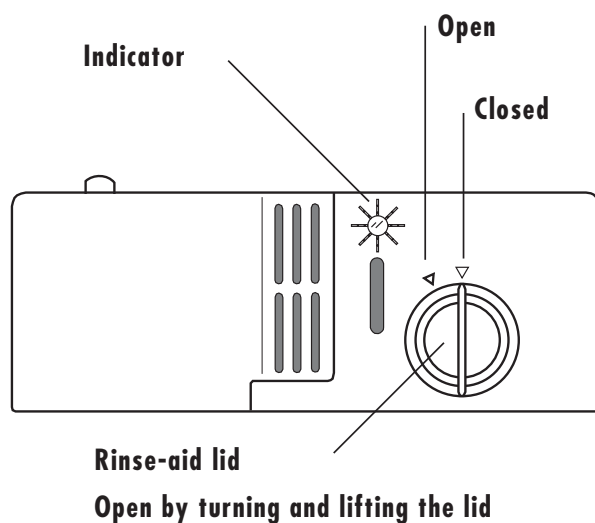
Do not use a spray of any kind close to the door lock.

# RINSE AID

---



The rinse-aid indicating lamp on the panel will light when the rinse-aid container becomes empty.\* Not all machines are fitted with the indicating lamp.



**\*N.B.**

After refilling, there may be some delay before the indicating lamp goes out.

## TOPPING UP WITH RINSE AID

Drying will be faster if you use rinse aid. The rinse-aid indicating lamp on the panel will light when the rinse-aid container becomes empty.\* There is also an indicator on the dispenser. See the figure. There is sufficient rinse aid available if the indicator is completely black. If the size of the black dot is reduced, the container should be topped up. Turn and lift the lid of the rinse-aid container, to the right of the dispenser, and fill with rinse aid until the indicator is completely black. Adjust the amount of rinse aid needed for each run as required in accordance with the instructions below. Remember to close the lid.

## CHOOSE THE DOSE

The dispenser is normally set at 1, but it may be necessary to adjust depending on hardness of the water.

Open the rinse-aid lid to gain access to the setting knob of the dispenser. Set between 1 and 6, ie, the harder the water the higher the setting.

If the water supply in your area indicates hardness higher than 10 to 12°dH, a rinse aid containing citric acid (acidic rinse-aid) should preferably be used, ie, if the machine is not equipped with its own water softener. Set the dispenser for soft water if your machine has a softener.

Excessive use of rinse aid can result in lather. If the water in your area is very soft, you can suitably dilute the rinse aid with an equal amount of water.

Too much rinse aid will cause streaks on the dishware, while too little may result in drying marks.

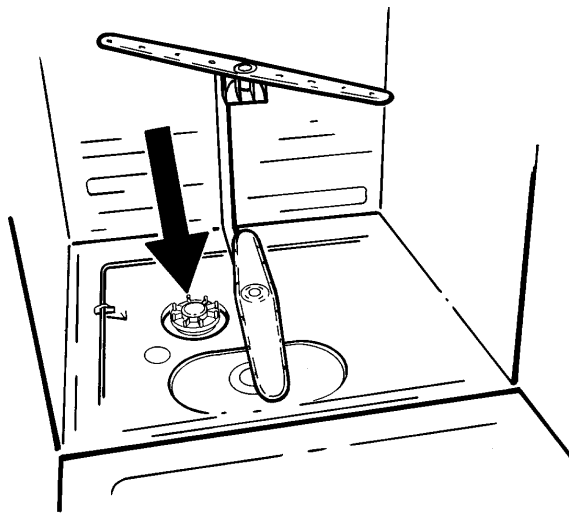
# SALT

Applies to dishwashers with water softener only.



The salt indicating lamp on the panel will light when there is no salt left. Not all machines are fitted with the indicating lamp. In such cases a green indicator is fitted on the lid of the salt container, see arrow.

## Salt container lid



**\*N.B.**

After refilling, there may be some delay before the indicating lamp goes out.

## WARNING



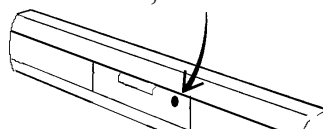
Never pour detergent into the salt compartment because it would ruin the softener.

## FILLING WITH SALT

The salt compartment must be filled with salt before using a machine that is equipped with a water softener. Use coarse salt or regenerating salt that is especially intended for dishwashers.

The salt should preferably be filled just before running the dishwasher because it is necessary to rinse the machine directly after filling.

Proceed as follows the first time: Unscrew the lid of the salt container, as illustrated. Insert the funnel, supplied with the dishwasher, into



the filler hole. Pour in about one litre of water and then enough salt to fill the container, max. 1.5 kg. Wipe away any spilled salt, so that the lid will seal properly, and screw on the lid firmly. Run a complete programme to ensure that any remaining salt is rinsed away.




The salt indicating lamp on the panel will light when the salt container becomes empty.\* Following the first wash cycle the salt container will be full of water. Unscrew the lid and fill the container with salt, which should preferably be done immediately before a wash programme is started. Wipe away any spilled salt and screw on the lid. Run a complete programme to ensure that any remaining salt is rinsed away.

If the indicator does not work it may be because the float, fitted underneath the lid, is sticking in salt residues. Push it up and down to loosen it. The float is reached through the green arm underneath the lid. Restore the float arm to the lower position. Models that are not fitted with an indicator lamp show a green colour in the lid when there is sufficient salt.

## ADJUSTING THE SALT DISPENSER

If the water in your area is very hard, it may be necessary to alter the amount of salt required.

The adjusting device for the salt dispenser is recessed to the right of the door handle. There you can find a screwdriver slot. Put a screwdriver into the slot and turn to the required setting, 1, 2 or 3 as table shows.

Setting	Hardness
1 	< 20° dH
2 	20-35° dH
3 	> 35° dH

# TROUBLE SHOOTING - DISHWASHING RESULTS

---

## **FAULT - POOR WASHING PERFORMANCE**

---

### **Possible causes**

1. Rotation of spray arms prevented by protruding object. Check also that jets in the spray arms are not clogged.
2. Spray arms slowed down by impurities in the bearings. Spin the arms by hand and if they do not spin freely lift them off and wipe the fittings clean.
3. Insufficient flow of water in the machine. Check the inlet hose for kinks or sharp bends.
4. Deteriorated detergent. Do not use old or caked detergent. Keep the detergent dry and cool in a closed pack. Remember that detergent is perishable. Avoid large packs.
5. Inferior detergent. Try a different one.
6. Unsuitable dosing of detergent. Ensure that the dose suits hardness of the water.
7. The fine filter is not fitted properly. If it is soiled, clean it.
8. Wash programme is too weak. Change to a more intensive programme and higher temperature.
9. Dishware not arranged properly. Make certain that soiled parts face downwards and inwards.

## **FAULT - GREY FILM OR MARKS ON WASHED DISHWARE**

---

### **Possible causes**

To establish the cause of the grey film make a test using distilled water: Pour on a few drops, rub thoroughly and dry. Clean? If so, the cause can be one of the following:

- Inadequate drain pumping. Adjust, Check that the outlet hose is not kinked or sharply bent.
- Glasses and cups have tipped over.
- Salt leaking from the softener. Make certain the lid is tight, otherwise call for service.
- Rinse-aid dispenser incorrectly set. Adjust, see Rinse aid.

Not cleaned with distilled water? Test using citric acid: Dissolve 1 tsp citric acid in 1 dl boiling water. Pour on a few drops, rub thoroughly and dry.

Did citric acid make it clean? If so, the fault can be one of the following:

- Malfunctioning or incorrectly set softener. Salt
- Wrong type of salt. Replace the salt.
- Salt container is empty. Refill, see Salt.
- Very hard water. Compensate with acidic rinse aid.

Still not clean after testing with citric acid?

- The cause is probably temperature that is too high and/or too much detergent. This type of film, or etching, cannot be remedied, only prevented. Wash glasses at low temperature and dispense the amount detergent with care, and avoid heated drying. Consult the maker of the detergent.

---

#### **FAULT - DISHWARE HAS STICKY WHITE/BLUE FILM**

##### **Possible causes**

Concentration of rinse aid is too high. Modify the dose, see Rinse aid. If the water is very soft it may be suitable to dilute the rinse aid with an equal amount of water, see Rinse aid.

---

#### **FAULT - STAINS ON SILVER OR STAINLESS STEEL**

##### **Possible causes**

Some remains of food, eg, mustard, mayonnaise, lemon, vinegar, salt or dressing can cause stains on stainless steel if left for too long. Rinse away this type of substance if the machine is not to be run straight away. All types of stainless steel can result in stains on silver if contact is made while being washed.

Aluminium can result in marks on other objects if contact is made while being washed.

---

#### **FAULT - STAINS NOT WASHED OFF**

##### **Possible cause**

Detergent that does not contain chlorine (recommended to protect the environment) may be unable to remove severe stains, eg, lipstick, tea stains.

---

#### **FAULTS - MISCELLANEOUS**

Knocking sound while the machine is running - spray arms hitting protruding objects.

Rattling noises while the machine is running - dishware not properly arranged.

Dishware is not dried - programme without drying was selected or insufficient dose of rinse aid, see Rinse aid.

# TROUBLE SHOOTING - DISHWASHER

---

If the machine does not work, check first to find out if the reason is a simple fault that you can remedy yourself. Try to locate the fault with the aid of the following description.

## **FAULT - DISHWASHER WILL NOT START**

---

### **Possible causes**

1. Main switch is OFF.
2. Door not properly closed.
3. Fuse has blown.
4. Power supply plug not plugged in.
5. Water tap not opened.

## **FAULT - WATER REMAINS IN THE MACHINE**

---

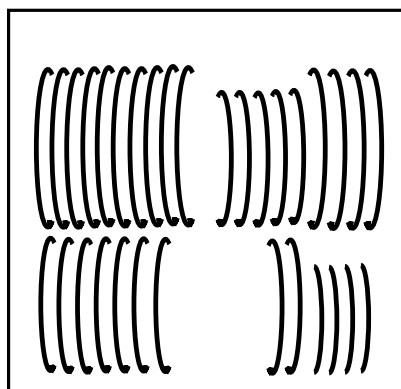
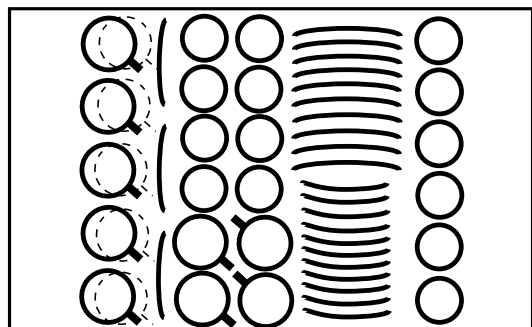
The drain pump will start automatically if the machine takes in too much water. If water is not pumped out, the fault may be due to one of the following reasons:

### **Possible causes**

1. Drain hose is clogged. Make certain that there is nothing blocking the connection of the drain hose to the sink drain trap. Waste can fasten at the end of the connecting pipe. Check also that the tapered connecting pipe is cut so that the inside diameter is as large as possible, but at least 16 mm.
2. Kink in the drain hose. Check the hose to eliminate any kinks or sharp bends.
3. Filters are clogged. Clean the tubular strainer, coarse filter and fine filter.
4. Drain pump is clogged. Clean the pump.
5. Ensure that the black/yellow adapting piece is correctly fitted on the left in the bottom drain by the drain pump.

# PERFORMANCE INFORMATION

## EXAMPLE OF HOW TO LOAD THE MACHINE



## TEST DOSES

Pre-wash 5 grammes and Main wash 20 grammes detergent.

## STANDARD TESTS

Australia: AS/NZS 2007.1

Dishwashing programmes:

Light wash 55°C without heated dry

Connection: Cold water

Test method, noise: IEC-704-1

## TECHNICAL DATA

Height: 820–890 mm

Width: 596 mm

Weight: 48 kg\*

51kg with water softener\*

Capacity: 14 AS covers

Water pressure: 0.03–1.0 MPa

Water pressure: 0.15–1.0 MPa

1.5–10 kp/cm<sup>2</sup> (Bar)

15-100 N/cm<sup>2</sup>

Max. temperature inlet-water: 80° C

Connection: See data plate

Max. power: See data plate

\* The weight may vary depending on different specifications.

# QUICK GUIDE

## 1. FILL THE BASKETS

Remove large particles of food and waste. It is not necessary to rinse, thanks to the Super Cleaning System™.

## 2. DOSE THE DETERGENT

The detergent compartment has a small space for pre-wash and a larger space for the main wash.

## 3. ENSURE THAT THE SPRAY ARMS CAN ROTATE FREELY.

## 4. TURN ON THE MAIN POWER SWITCH

## 5. CLOSE THE DOOR

## 6. CHOOSE PROGRAMME AND THE MACHINE WILL START

<b>MINI PROGRAMME GUIDE</b>			<b>RINSE AND HOLD</b>	<b>INTENSIVEWASH 65°C</b>	<b>NORMAL WASH 65°C</b>	<b>NORMAL WASH 55°</b>	<b>LIGHT WASH</b>	<b>RINSE PROGRAMME</b>	<b>PLATE. HEAT</b>
<b>PROGRAMME</b>	→								
<b>HOW THE MACHINE WORKS</b>									
Temperature	-	65°	65°	55°	55°	55°	65°		
Drying heat	No	Yes	Yes	No	No	Yes	Yes		

Printed on environment friendly paper in conformance with requirements of Friends of the Earth and the Swedish Society for the Conservation of Nature.