

This Owner's Manual is provided and hosted by [Appliance Factory Parts](#).



ASKO D3251XLWH Owner's Manual

[Shop genuine replacement parts for ASKO D3251XLWH](#)



[Find Your ASKO Dishwasher Parts - Select From 209 Models](#)

----- Manual continues below -----



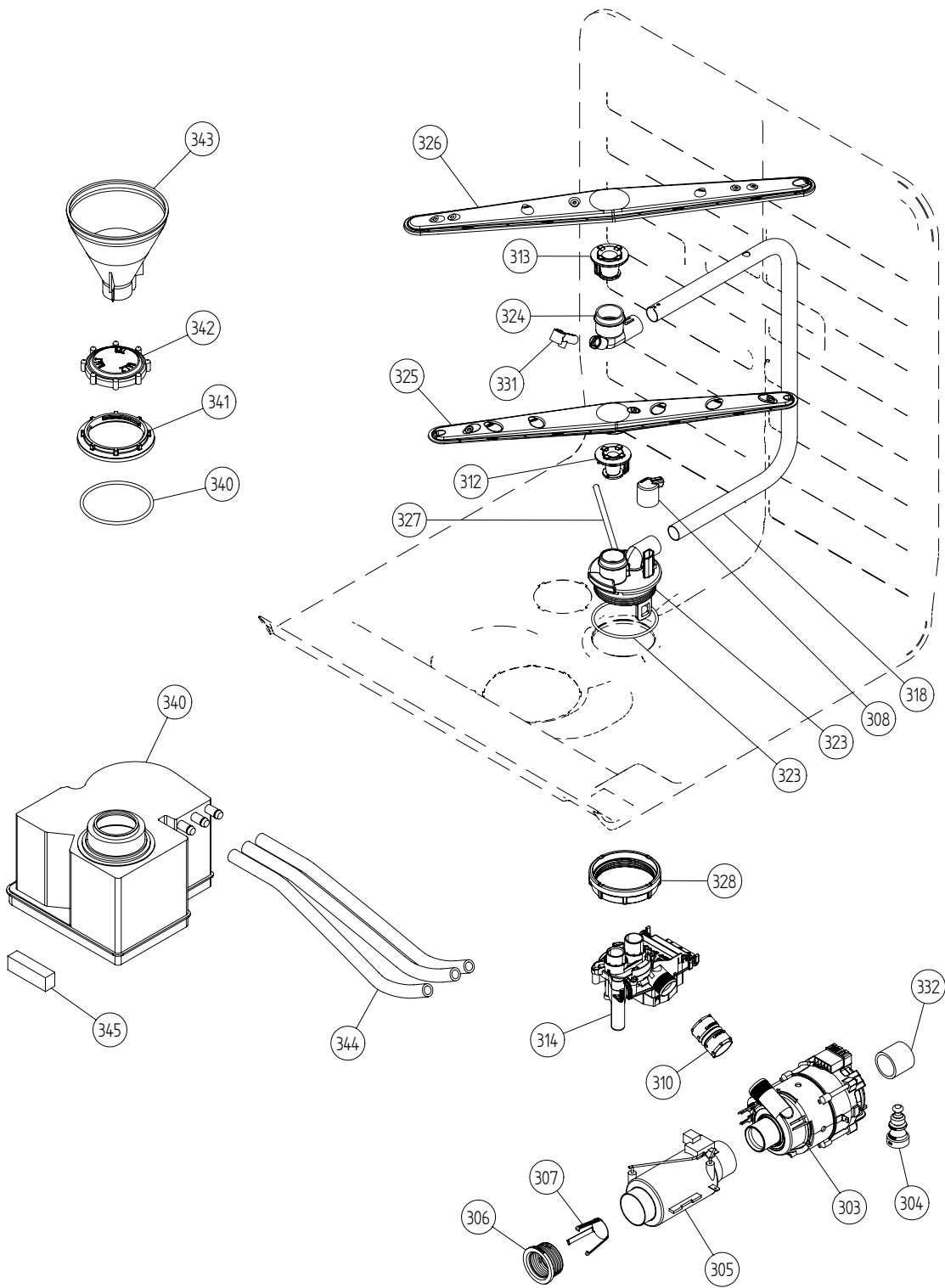
Spare Parts Catalogue

Dishwashers \ 3000XL Series
Type: DW20.3
Model: D3251 XL US White BiH

Prod. No: 107325140
October 6th 2004

AM Appliances Group

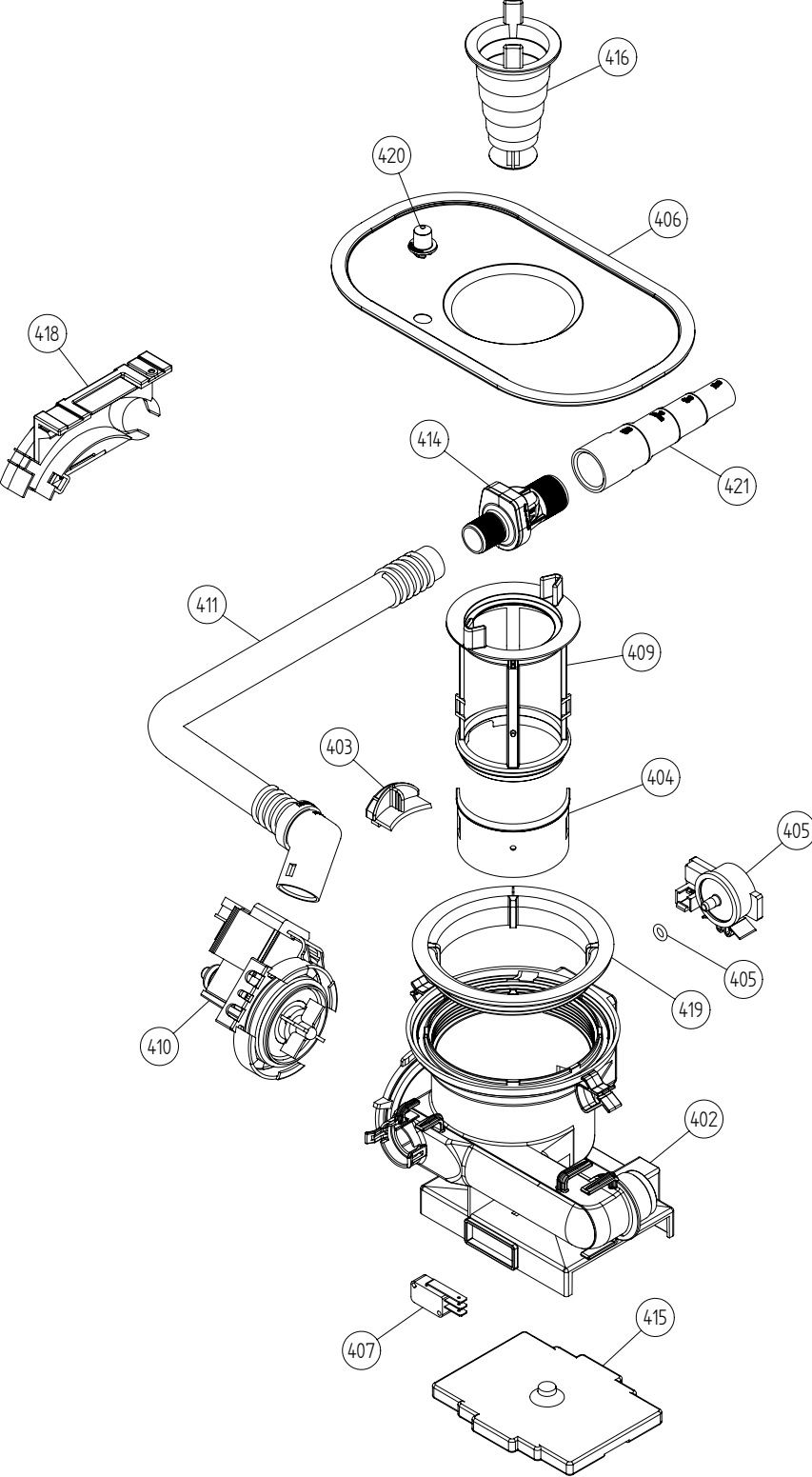
P.O. Box 851805 • Richardson • TX 75085-1805
789 N. Grove Road • Suite 103 • Richardson • TX 75081



Wash system

ASKO, D3251 XL US - White BiH (DW20.3)

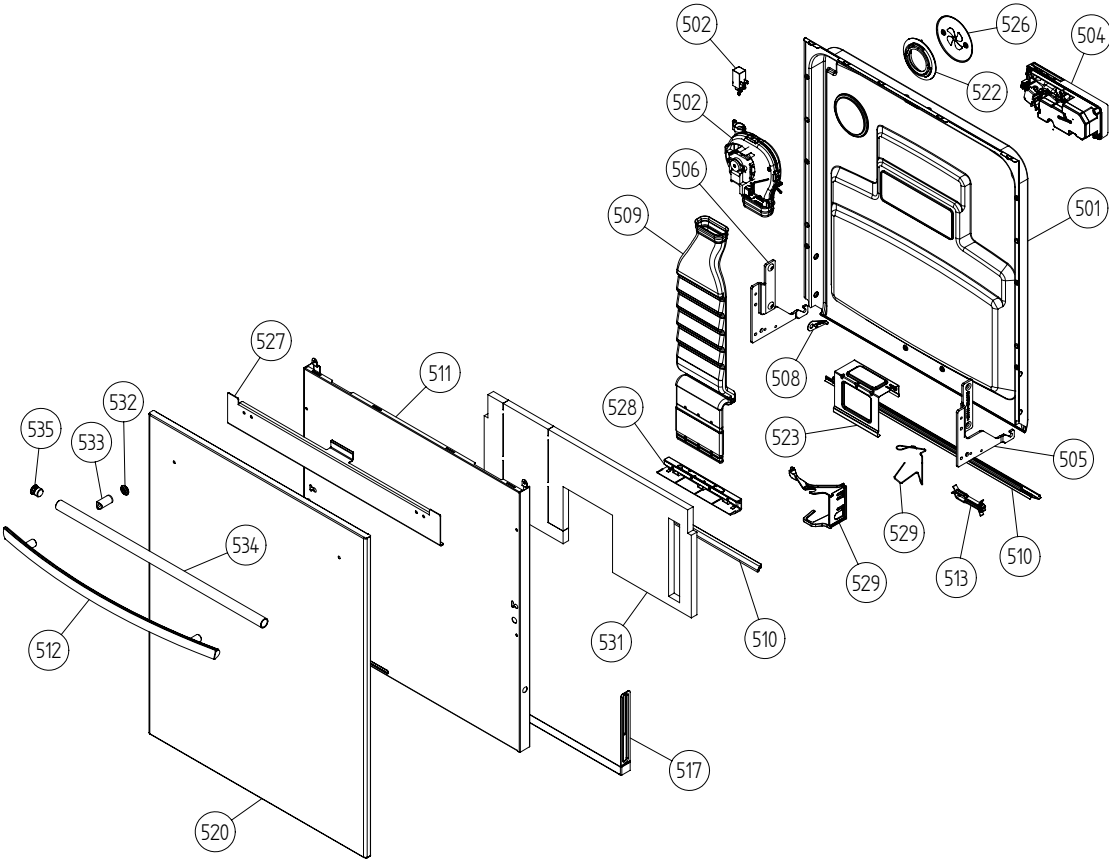
| Pos | Spare part No. | Description | Qty | Comment |
|-------|----------------|--------------------------------|-------|--------------------------------------|
| 301 | 8073502 | - | 1 Pcs | Not to be ordered |
| 303 | 8073813 | CIRCPUMP 120V 60HZ UL4 | 1 Pcs | |
| 303-a | 8075380 | CAPACITOR 16UF CIRCPUMP DW20 | 1 Pcs | |
| 304 | 8075130 | RUBBER DAMPER CIRCPUMP UL4 | 1 Pcs | |
| 305 | 8073785 | HEATINGELEMENT 1200W 120V | 1 Pcs | |
| 306 | 8073702 | ELEMENT TRANSMUTATION UL4 | 2 Pcs | |
| 307 | 8075070 | INSERT FOR HEATER | 1 Pcs | |
| 308 | 8073385-77 | CUP DRAINAGE GREY | 1 Pcs | |
| 310 | 8072888 | HOSE CIRKPUMP UL4 | 1 Pcs | |
| 310-a | 8056491 | HOSE CLIP 301-708 | 2 Pcs | |
| 312 | 8072728-77 | SPRAY ARM BEARING L GREY UL4 | 1 Pcs | |
| 313 | 8072731-77 | SPRAYARM BEARING UPPER UL4 | 1 Pcs | |
| 314 | 8073822 | WATER DIV VALVE 120V 60HZ UL4 | 1 Pcs | |
| 314-a | 8073003 | O-RING 200X375 NRB70 UL4 | 2 Pcs | |
| 318 | 8073387 | SPRAY PIPE Ø18 | 1 Pcs | |
| 323 | 8071606-L-77 | SPRAYTOWER L SPRAY NOZZLE UL4 | 1 Pcs | |
| 323-a | 8901765 | O-RING 695X3 UL4 | 1 Pcs | |
| 324 | 8072730-L-77 | SPRAYTOWER U SPRAY NOZZLE UL4 | 1 Pcs | |
| 325 | 8072891 | SPRAYARM LOWER COMPLETE | 1 Pcs | |
| 326 | 8072894 | SPRAYARM UPPER COMPLETE | 1 Pcs | |
| 327 | 8073381 | TUBE POTRINSE 6x160 | 1 Pcs | |
| 327-a | 8902085 | SCREW PT KB40X10 WN1442 RFS | 2 Pcs | |
| 328 | 8071607 | LOCKRING SPRAYPIPE BEARING UL4 | 1 Pcs | |
| 330 | 8073384-77 | CUP DRAINAGReplby 8073385-77 | 1 Pcs | |
| 331 | 8072543-77 | SPRAY NOZZLE UL4 | 1 Pcs | For part no 8073381 and 8072730-L-77 |
| 332 | 8075420 | HOSE 268X328X295 | 1 Pcs | |
| 332-a | 8052189 | HOSE CLIP RFZ 170-706R | 2 Pcs | |



Bottom well and related parts

ASKO, D3251 XL US - White BiH (DW20.3)

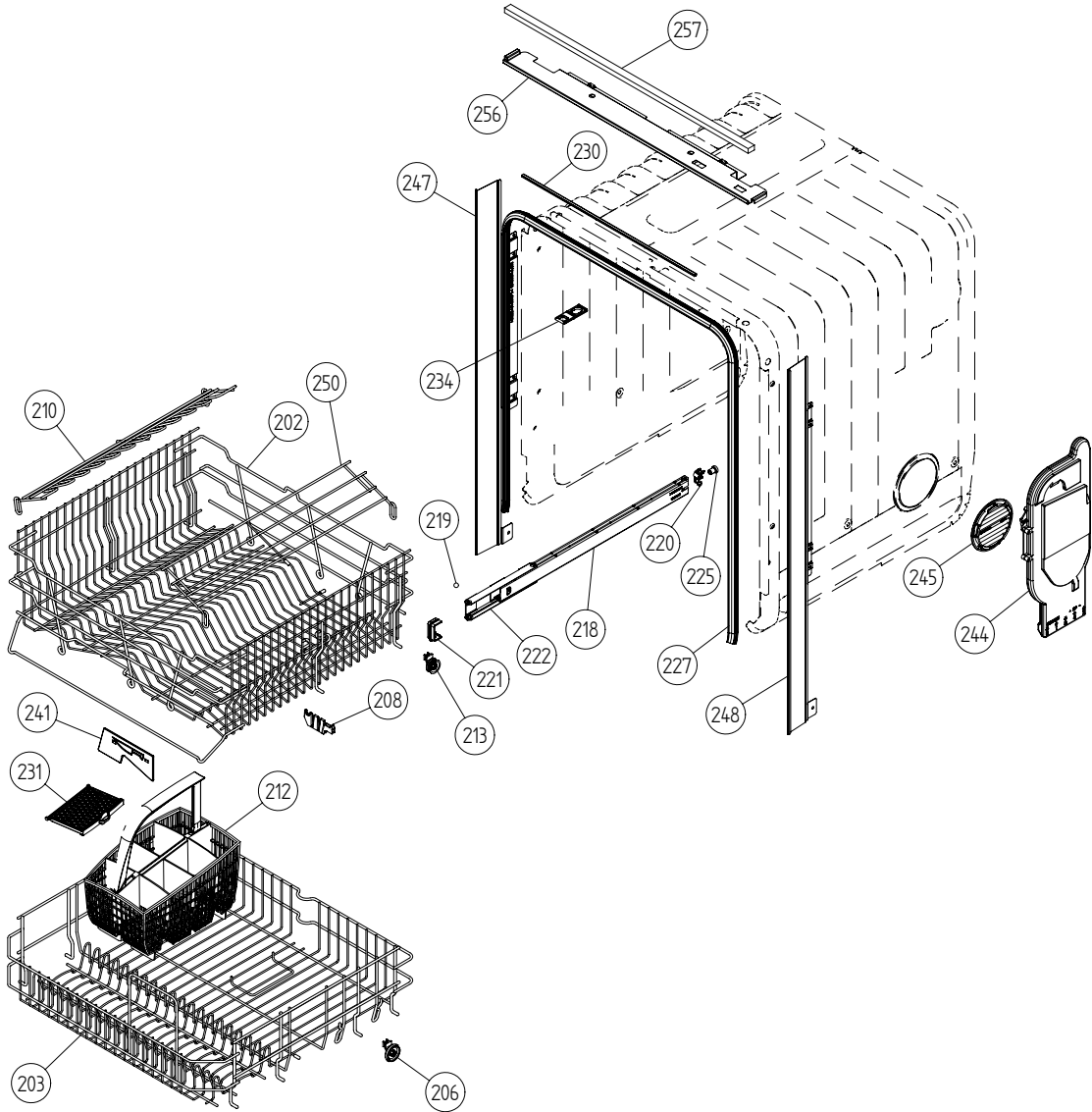
| Pos | Spare part No. | Description | Qty | Comment |
|------------|-----------------------|--------------------------------|------------|----------------|
| 402 | 8073691-77 | BOTTOM WELL PRESSURE SENS UL4 | 1 Pcs | |
| 402-a | 8073002 | O-RING 109x4 NBR70 UL4 | 1 Pcs | |
| 403 | 8057487-79 | COVER PLATE BOTTOM WELL YELLOW | 1 Pcs | |
| 404 | 8058454 | COVER PLATE INLET DW95 | 1 Pcs | |
| 405 | 8073839 | PRESSURE SENSOR UL4 | 1 Pcs | |
| 405-a | 8074040 | O-RING 63X24 NBR70 UL4 | 1 Pcs | |
| 406 | 8074364 | STRAINER DW20 | 1 Pcs | |
| 406 | 8074252 | Use 8074364 | 1 Pcs | |
| 407 | 8073835 | MICROSWITCH FLOAT | 1 Pcs | |
| 409 | 8073396-77 | INSERT STRAINER BASKET | 1 Pcs | |
| 410 | 8073818 | DRAIN PUMP 120V 60HZ UL4 | 1 Pcs | |
| 410-a | 8002584 | O-RING 495X30 NBR70 UL1 | 1 Pcs | |
| 411 | 8074030 | OUTLET HOSE 25 M UL4 | 1 Pcs | |
| 411-a | 8052239 | HOSE CLIP RFZ 285-316-706R | 1 Pcs | |
| 411-b | 8052430 | CABLE STRIP PLT3S -M (291X48) | 1 Pcs | |
| 414 | 8801248 | KIT CHECK VALVE | 1 Pcs | |
| 414-a | 8052239 | HOSE CLIP RFZ 285-316-706R | 1 Pcs | |
| 414-b | 8053642 | HOSE CLIP 271-708 | 1 Pcs | |
| 415 | 8075110 | FLOAT | 1 Pcs | |
| 416 | 8057972-77 | STRAINER BASKET GREY | 1 Pcs | |
| 418 | 8072528-77 | HOLDER OUTLETHOSE | 1 Pcs | |
| 418-a | 8053642 | HOSE CLIP 271-708 | 1 Pcs | |
| 418-b | 8052239 | HOSE CLIP RFZ 285-316-706R | 1 Pcs | |
| 418-c | 33700450 | CABLE STRIP T 30 R | 1 Pcs | |
| 418-d | 8902072 | SCREW PT KB40X10 WN1442 GALV | 1 Pcs | |
| 419 | 8072848 | LOCKRING BOTTOM WELL UL4 | 1 Pcs | |
| 420 | 8074760-77 | VENTILATOR UL4 | 1 Pcs | |
| 421 | 8075321 | END CUFF USA UL4 | 1 Pcs | |



Inner door, panel and related parts

ASKO, D3251 XL US - White BiH (DW20.3)

| Pos | Spare part No. | Description | Qty | Comment |
|-------|----------------|--------------------------------|--------|---------|
| 501 | 8801254 | DOOR INNER INSUL FAN/INT 86CM | 1 Pcs | |
| 501-a | 8900646 | SCREW A4 RTS 42X13 T20 SORT | 6 Pcs | |
| 501-b | 8902121 | SCREW A2-MKFT 5X10 | 4 Pcs | |
| 502 | 8073851 | FAN COMPL 120V | 1 Pcs | |
| 502-a | 8058501 | O-RING 83X3 NBR 70 UL4 | 1 Pcs | |
| 502-b | 8052778 | WAXMOTOR 10033214 | 1 Pcs | |
| 504 | 8073803 | COMBIDISP REED REAY 120V UL4 | 1 Pcs | |
| 504-a | 8071916 | SEALDETCOMPLID | 1 Pcs | |
| 504-b | 8071917 | CAP RINSE AGENT | 1 Pcs | |
| 504-c | 8071918 | LIDINCLSEAL AND SPRING | 1 Pcs | |
| 504-d | 8072288 | SEALING STRIP COMBIDISP | 1 Pcs | |
| 504-f | 8902087 | SCREW PTK 40X14 WN1452 FZB T20 | 6 Pcs | |
| 505 | 8057524 | HINGE RIGHT PAINTED DW95 | 1 Pcs | |
| 505-a | 8057530 | HINGE SCREW DW95 | 1 Pcs | |
| 505-b | 33500262 | NUT M4 (LOC-KING) 4 DIN 985 | 1 Pcs | |
| 506 | 8057525 | HINGE LEFT PAINTED DW95 | 1 Pcs | |
| 506-a | 8057530 | HINGE SCREW DW95 | 1 Pcs | |
| 506-b | 33500262 | NUT M4 (LOC-KING) 4 DIN 985 | 1 Pcs | |
| 507 | 8057530 | HINGE SCREW DW95 | 2 Pcs | |
| 507-a | 33500262 | NUT M4 (LOC-KING) 4 DIN 985 | 2 Pcs | |
| 508 | 8057948 | SLIDE WASHER HINGE BEARINGDW95 | 2 Pcs | |
| 509 | 8057963-P | AIR CANNEL ADJUSTABLE DOOR | 1 Pcs | |
| 510 | 8057949 | DOOR SEAL Replby 8060254 | 1 Pcs | |
| 510 | 8060254 | DOOR SEAL LOWER CUTTING 555 | 1 Pcs | |
| 510 | 8073479 | DOOR SEAL Replby 8060254 | 1 Pcs | |
| 511 | 8074800-PT | DOOR OUTER LONG INT. ADJUST. | 1 Pc's | |
| 511 | 8074800-PT-0 | DOOR OUTER LONG INT ADJUST | 1 Pcs | |
| 511-a | 8900646 | SCREW A4 RTS 42X13 T20 SORT | 6 Pcs | |
| 512 | 8073488-0 | HANDLE COOKER WHITE | 1 Pcs | |
| 512-a | 8901969 | SCREW MRT-TT 5x12 FZB T20 | 2 Pcs | |
| 513 | 8074015 | CABLE BRACKET DOOR | 1 Pcs | |
| 517 | 8074012-81 | ADJUSTABLE FRAME AIR CHANNEL | 1 Pcs | |
| 517-a | 8902133 | SCREW MRT-GF M5x8 COMB T25 FZB | 2 Pcs | |
| 520 | 8075678-0 | Cover sheet | 1 Pcs | |
| 520-a | 8900254 | SCREW A4 RTS 42X38 | 4 Pcs | |
| 520-b | 8902357 | SCREW RTS 42X13 FZB T20 SORT | 2 Pcs | |
| 522 | 8057964 | LOCK RING FAN CASING UL4 | 1 Pcs | |
| 522-a | 8902085 | SCREW PT KB40X10 WN1442 RFS | 2 Pcs | |
| 523 | 8057983 | BRACE 86CM | 1 Pcs | |
| 523-a | 8900646 | SCREW A4 RTS 42X13 T20 SORT | 2 Pcs | |
| 523-b | 8902357 | SCREW RTS 42X13 FZB T20 SORT | 2 Pcs | |
| 526 | 8058484 | COVER PLATE FAN WITH SYMBOL | 1 Pcs | |
| 526-a | 8902085 | SCREW PT KB40X10 WN1442 RFS | 2 Pcs | |
| 527 | 8074591 | REINFORCEMENT FRONT SHEET DW20 | 1 Pcs | |
| 528 | 8072732-0 | NOZZLE AIR DUCT INT COMPL /2 | 1 Pcs | |
| 529 | 8073612 | BRACKET FOR HARNESS | 1 Pcs | |
| 529 | 8074278 | BRACKET FOR HARNESS UL4 | 1 Pcs | |
| 531 | 8074258 | SOUND ABSORBTION OUTERDOOR | 1 Pcs | |



Baskets and related parts

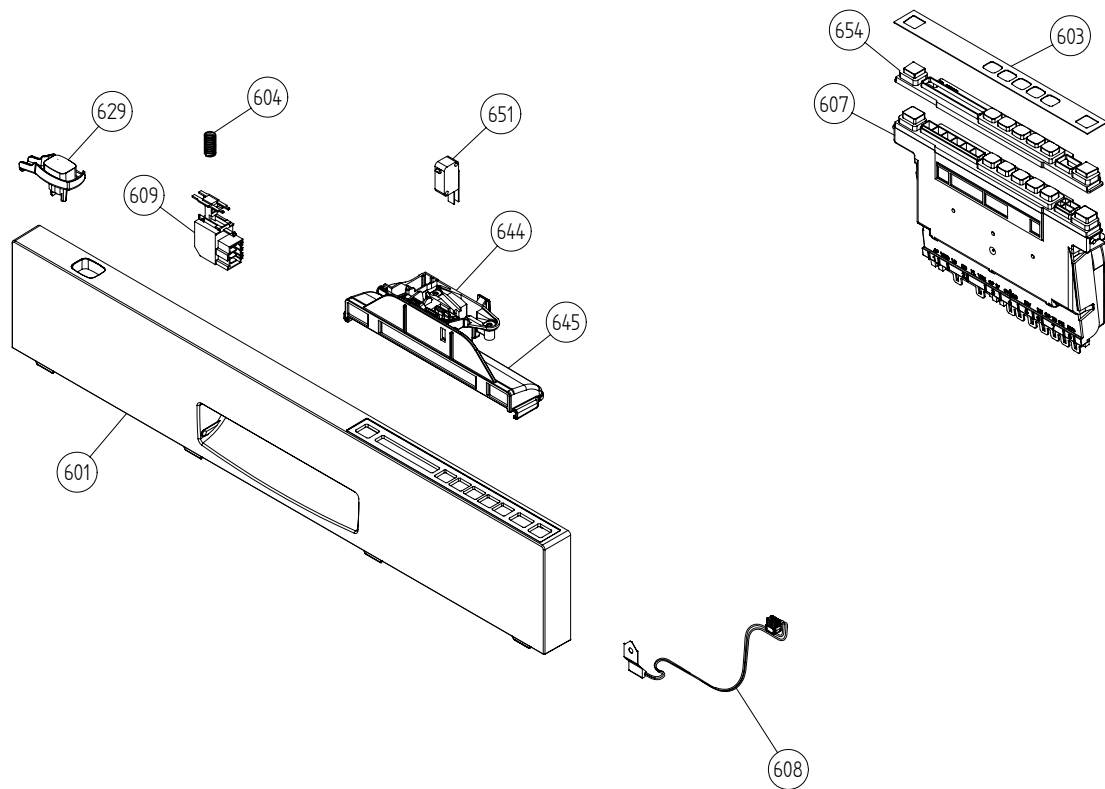
ASKO, D3251 XL US - White BiH (DW20.3)

| Pos | Spare part No. | Description | Qty | Comment |
|-------|----------------|--------------------------------|-------|------------------|
| 201 | 8057056 | - | 1 Pcs | Not a spare part |
| 202 | 8801236-36 | UPPER BASKET EXCL CPL DGREY | 1 Pcs | |
| 203 | 8801237-36 | LOWER BASKET EXCL CPL LGREY | 1 Pcs | |
| 206 | 8009516-77 | BASKET WHEEL COMPL GREY | 8 Pcs | |
| 208 | 8071214-77 | HOLDERCARVING KNIVES U-BASKET | 2 Pcs | |
| 210 | 8071337-36 | CUP SHELF WINE GLASS MGR ADJ | 1 Pcs | |
| 212 | 8801239-77 | CUTLERY BASKET INCL DOOR | 1 Pcs | |
| 213 | 8058498-77 | BASKET WHEEL COMPL GREY DW95 | 4 Pcs | |
| 218 | 8057052 | GUIDE RAIL | 2 Pcs | |
| 219 | 8057977 | BALL DIAM 8 DW95 | 8 Pcs | |
| 220 | 8057978-77 | BALLCATCH GREY COMPL | 2 Pcs | |
| 221 | 8057979-77 | BASKET STOP GREY | 2 Pcs | |
| 222 | 8058638-77 | BALL DISTANCE RING GUIDE RAIL | 2 Pcs | |
| 225 | 8071247 | RUBBER BUFReplby 8057978-77 | 2 Pcs | |
| 227 | 8057489-E | DOOR STRIP 86CM UL4 | 1 Pcs | |
| 230 | 8071257 | EDGE GUARD L=420 MM | 1 Pcs | |
| 231 | 8072986-77 | DOOR CUTLERYBASKET UL4 | 1 Pcs | |
| 234 | 8070649 | LOCK HITCH INTEGR | 1 Pcs | |
| 234-a | 8070648 | LOCK WASHER INTEGR | 1 Pcs | Part of 8070469 |
| 234-b | 8901104 | SCREW M4x8 A4 MRT VAXED T20 | 1 Pcs | |
| 241 | 8057506-77 | KNIFE STOP PLATE GREY DW95 | 1 Pcs | |
| 244 | 8057514 | AIRBREAK STD W O-RING UL4 | 1 Pcs | |
| 244-a | 8052189 | HOSE CLIP RFZ 170-706R | 1 Pcs | |
| 245 | 8057536-77 | LOCKRING AIRBREAK GREY | 1 Pcs | |
| 247 | 8074342-E | TRIM STRIP LEFT USA 86CM | 1 Pcs | |
| 247 | 8074342-E-0 | TRIM STRIP LEFT USA 86CM WHITE | 1 Pcs | |
| 247-a | 8900646 | SCREW A4 RTS 42X13 T20 SORT | 2 Pcs | |
| 248 | 8074343-E | TRIM STRIP RIGHT USA 86CM | 1 Pcs | |
| 248 | 8074343-E-0 | TRIM STRIP RIGHT USA 86CM WH | 1 Pcs | |
| 248-a | 8900646 | SCREW A4 RTS 42X13 T20 SORT | 2 Pcs | |
| 250 | 8073507-36 | CUP SHELF STRAIGHT HICONTAIN | 1 Pcs | |
| 256 | 8075663 | trim rail | 1 Pcs | |
| 256 | 8075663-0 | TRIM RAIL LOW USA WHITE | 1 Pcs | |
| 257 | 8075664 | sealing stripe 3000xl | 1 Pcs | |

Base and related parts

ASKO, D3251 XL US - White BiH (DW20.3)

| Pos | Spare part No. | Description | Qty | Comment |
|-------|----------------|--------------------------------|--------|---------|
| 101 | 8074450 | BOTTEM OUTER DW20 | 1 Pcs | |
| 101-a | 8901104 | SCREW M4x8 A4 MRT VAXED T20 | 2 Pcs | |
| 101-b | 8901110 | SCREW O-RING A2-M6X12 T30 | 4 Pcs | |
| 102 | 8073880 | REAR PANEL | 1 Pcs | |
| 102-a | 8902357 | SCREW RTS 42X13 FZB T20 SORT | 5 Pcs | |
| 105 | 8074228 | FOOT M10X75 T30 88 FZB | 2 Pcs | |
| 106 | 8073647 | FOOT ADJUSTABLE FROM FRONT CPL | 1 Pcs | |
| 108 | 8073480 | BRACKET KICKING PLATE | 2 Pcs | |
| 111 | 8073481-49 | SPRING KICKING PLATE L-GREY | 2 Pcs | |
| 116 | 8058353 | SOUND ABSORBENT GUARD PLATE | 1 Pcs | |
| 119 | 8074260 | SOUND ABSORBTION PROFILE | 1 Pcs | |
| 125 | 8073707 | GUARD PLATE | 1 Pcs | |
| 125 | 8076822-0 | GUARD PLATE WHITE | 1 Pcs | |
| 125 | 8073707-0 | GUARD PLATE WHITE | 1 Pcs | |
| 125 | 8076822 | GUARD PLATE | 1 Pcs | |
| 125-a | 8902357 | SCREW RTS 42X13 FZB T20 SORT | 4 Pcs | |
| 133 | 8051957 | SLIDE FOOT DM-14 | 3 Pcs | |
| 134 | 8076163-77 | DOOR SPRING FRONT DOOR MOUNTED | 2 Pcs | |
| 135 | 8073774 | CORD SET AMERICA | 1 Pcs | |
| 136 | 8073781 | FILTER WITH SCREWPLINT | 1 Pcs | |
| 136-a | 8902131 | SCREW MRT-TT 4X6 FZB T20 | 1 Pcs | |
| 140 | 8073825 | INLVALVE SINGLE 120V SENS UL4 | 1 Pcs | |
| 140-a | 8052189 | HOSE CLIP RFZ 170-706R | 1 Pcs | |
| 141 | 8073879 | CONNECTIONS PIPE 3/8-3/4 | 1 Pcs | |
| 142 | 8006948 | GROMMET Z13 | 1 Pcs | |
| 143 | 8074230 | RUBBER HOSE 10X15X225 | 1 Pcs | |
| 143-a | 8052189 | HOSE CLIP RFZ 170-706R | 2 Pcs | |
| 148 | 8073506 | KICK-PLATE USA 86CM | 1 Pc's | |
| 148 | 8073506-0 | KICK-PLATE USA 86CM WHITE | 1 Pcs | |
| 154 | 33055088 | RUBBER HOSE 10X15 UL4 | 1 Pcs | |
| 154-a | 8052189 | HOSE CLIP RFZ 170-706R | 2 Pcs | |



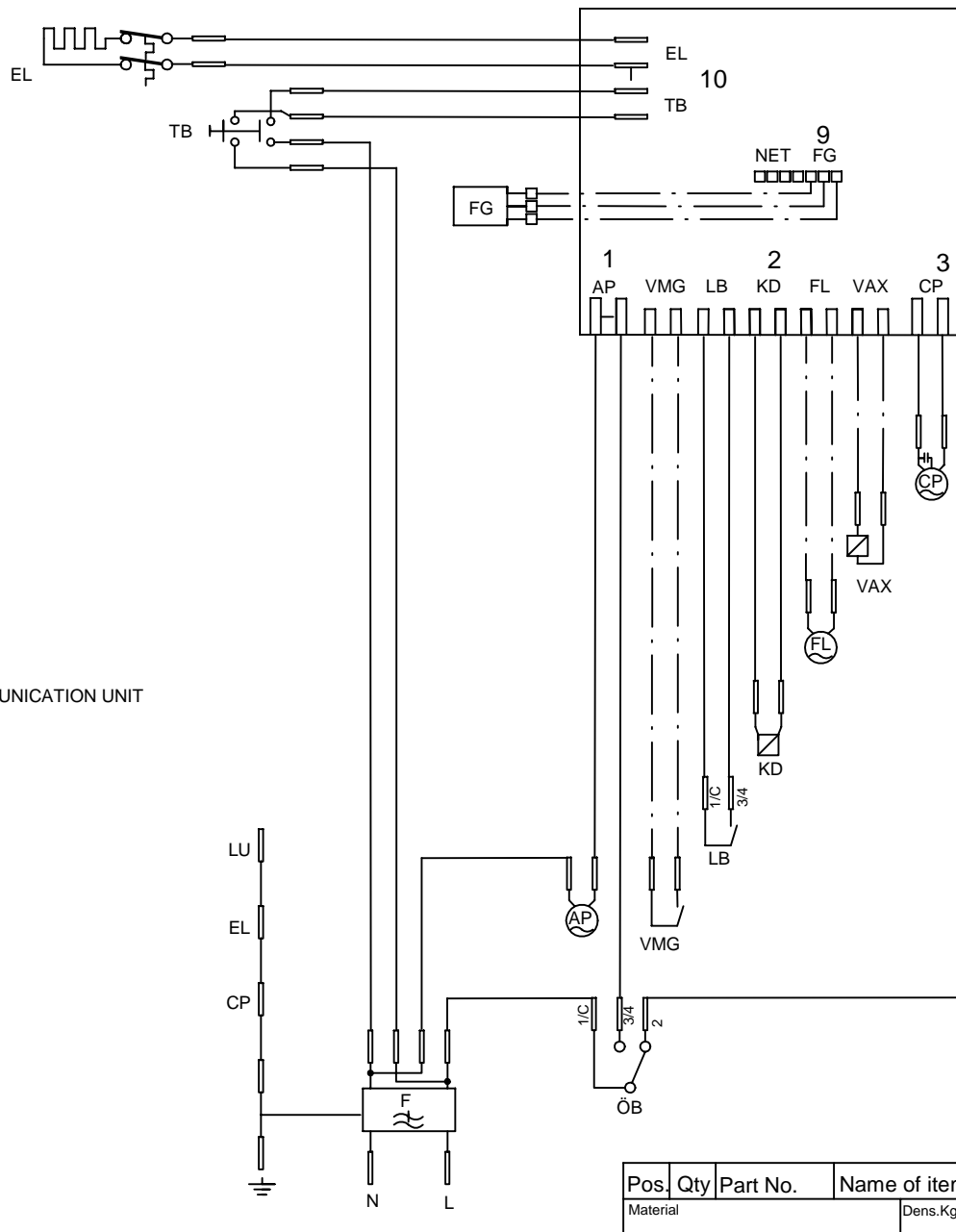
Control panel and related parts

ASKO, D3251 XL US - White BiH (DW20.3)

| Pos | Spare part No. | Description | Qty | Comment |
|-------|----------------|--------------------------------|-------|---------|
| 601 | 8076747-0-UL | PANEL ASKO 3251-345F GRPH UL4 | 1 Pcs | |
| 602 | 8075303 | PROGINFOLABEL ASKO 345T/F US | 1 Pcs | |
| 602 | 8075305 | PROGINFOLABEL ASKO 345T/F ES | 1 Pcs | |
| 602 | 8075345 | PROGINFOLABEL ASKO 345T/F FR | 1 Pcs | |
| 603 | 8074993 | DECOR PLATE ASKO 345T/FI GRAP | 1 Pcs | |
| 604 | 8074277 | SPRING MAIN SWITCH | 1 Pcs | |
| 607 | 8801230 | CONTROLUNIT COMPL DW203 USA | 1 Pcs | |
| 608 | 8073788 | THERMISTOR UL4 | 1 Pcs | |
| 608-a | 8076839 | SPACER THERMISTOR DW20 | 1 Pcs | |
| 609 | 8073782 | MAIN PUSH SWITCH | 1 Pcs | |
| 611 | 8075740 | CABLESET DIVERTER VALVE | 1 Pcs | |
| 614 | 8075736 | CABLE SET CIRCPUMP INLVALVE | 1 Pcs | |
| 616 | 8075735 | CABLE SET FLOW & PRESSURE | 1 Pcs | |
| 618 | 8075738 | CABLESET POWER | 1 Pcs | |
| 620 | 8075730 | CABLE SET DOOR FAN-REED | 1 Pcs | |
| 622 | 8075731 | CABLE SET DRAIN | 1 Pcs | |
| 629 | 8075078-0 | PUSHBUTTON MAINSWITCH GRAPHIC | 1 Pcs | |
| 644 | 8073670 | LOCK COMPLETE INTEGRERAD | 1 Pcs | |
| 645 | 8073666 | HANDLE INTEGRATED LOCK | 1 Pcs | |
| 645-a | 8072439 | SCREW MC6S M5x45 88 FZB | 2 Pcs | |
| 651 | 8073836 | MICROSWITCH DOOR | 0 Pcs | |
| 654 | 8075719-85 | PUSHBUTTONS ASKO 345 T/FI | 1 Pcs | |
| 690 | 8076139 | INSTRUCTIONS D3251-345F US ENG | 1 Pcs | |
| 690 | 8076140 | INSTRUCTIONS D3251-345F USA FR | 1 Pcs | |
| 690 | 8076141 | INSTRUCTIONS D3251-345F USA ES | 1 Pcs | |

- AP: DRAIN PUMP
- BB: ILLUM. SWITCH
- BE: HALOGEN LAMP
- CP: CIRCULATION PUMP
- DIV: WATER DIVERTER VALVE
- EL: HEATING ELEMENT
- F: FILTER
- FG: HUMITY SENSOR
- FL: FAN
- FM: FLOW METER
- GS: TURBIDITY SENSOR
- IV: INLET VALVE
- KD: COMBI DISPENSER
- LB: DOOR SWITCH
- LU: DOOR
- NTC: THERMISTOR
- SG: SALT SENSOR
- SV: SALT VALVE
- TB: MAIN SWITCH
- TS: PRESSURE SENSOR
- VAX: VAX ACTUATOR
- VMG: RINSE AID SENSOR
- NET: INTERFACE TO HOME NET COMMUNICATION UNIT
- ÖB: FLOAT SWITCH

- WIRES IN ALL MACHINES
- - - INTERNAL CONNECTION
- · - WIRES IN SOME MACHINES



S:\UIDw201_Tryckunderlag\Kopplingschema\8073809 Circuit diagram DW20_4_c.dft , mail , 2002-06-18 08:34:08

This document must not be copied without our written permission, and the contents thereof must not be imparted to a third party nor be used for any unauthorized purpose. ASKO Cylinder AB

| Pos. | Qty | Part No. | Name of item |
|-------------|-----|---------------|--------------|
| Material | | | Dens.Kg/ |
| Scale | | 1:1 | |
| Designed by | | Gen.tolerance | |
| Released by | | Gen.tol.Angle | |
| | | Iss by Dept | Year W |
| | | UD | 00 4 |

| Rev ind | Revision | Appd | Year Week |
|---------|----------|------|-----------|
| | | | |

ASKO CYLINDA