

This Owner's Manual is provided and hosted by [Appliance Factory Parts](#).



Black & Decker BHSB315J Owner's Manual

[Shop genuine replacement parts for Black & Decker
BHSB315J](#)



[Find Your Black & Decker Vacuum Cleaner Parts - Select From 339 Models](#)

----- Manual continues below -----

BLACK+ **DECKER**™

INSTRUCTION MANUAL
MODE D'EMPLOI
MANUAL DE INSTRUCCIONES

CORDLESS SPILL + SPOT CLEANER

**SHAMPOUINEUSE POUR TACHES
ET DÉVERSEMENTS SANS FIL**

**LIMPIADOR DE DERRAMES
Y PUNTOS INALÁMBRICO**

BHSB315J
BHSB320JP

Please read before returning this product for any reason.

à LIRE avant de retourner ce produit pour quelque raison que ce soit.

LEA EL MANUAL antes de devolver este producto por cualquier motivo.

English (<i>original instructions</i>)	1
--	---

Français (<i>traduction de la notice d'instructions originale</i>)	10
--	----

Español (<i>traducido de las instrucciones originales</i>)	20
--	----

Thank you for choosing BLACK+DECKER!

If you have a question or experience a problem with your BLACK+DECKER purchase, go to: <http://www.blackanddecker.com/instantanswers>

If you can't find the answer or do not have access to the Internet, call 1-800-544-6986 from 8 a.m. to 5 p.m. EST Mon. - Fri. to speak with an agent. Please have the CATALOG NUMBER available when you call.

To register your new product, visit
www.BlackandDecker.com/NewOwner

Consulter le site Web www.BlackandDecker.com/NewOwner
pour enregistrer votre nouveau produit.

Visite www.BlackandDecker.com/NewOwner para registrar su
nuevo producto.

Definitions: Safety Alert Symbols and Words

This instruction manual uses the following safety alert symbols and words to alert you to hazardous situations and your risk of personal injury or property damage.

⚠ DANGER: Indicates an imminently hazardous situation which, if not avoided, **will** result in **death or serious injury**.

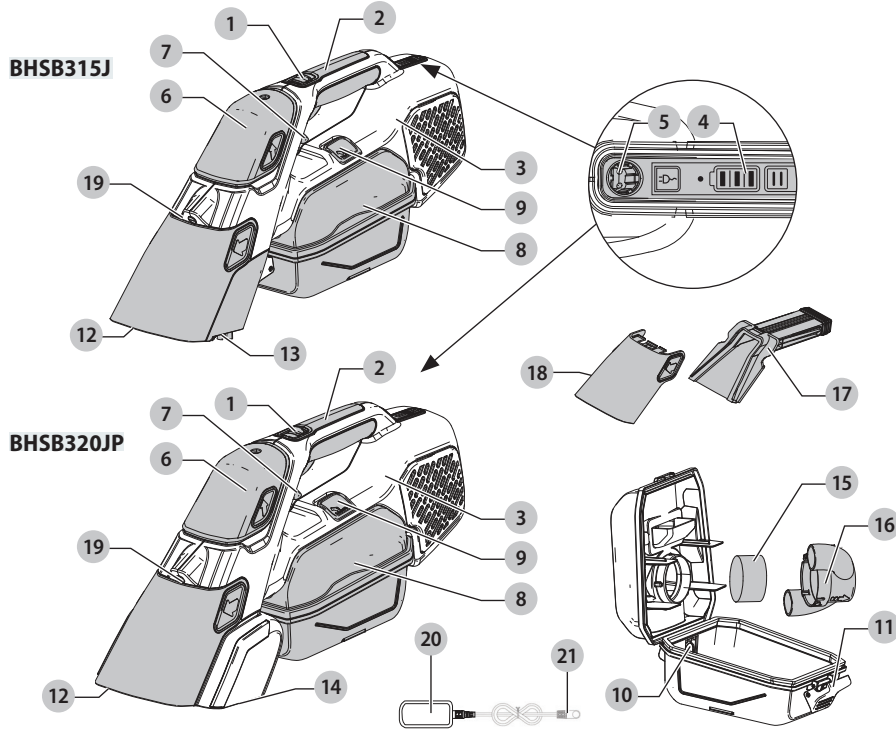
⚠ WARNING: Indicates a potentially hazardous situation which, if not avoided, **could** result in **death or serious injury**.

⚠ CAUTION: Indicates a potentially hazardous situation which, if not avoided, **may** result in **minor or moderate injury**.

⚠ (Used without word) Indicates a safety related message.

NOTICE: Indicates a practice **not related to personal injury** which, if not avoided, **may** result in **property damage**.

Fig. A



- 1 Switch
- 2 Main handle
- 3 Main body
- 4 State of charge LEDs
- 5 Charging socket
- 6 Formula dispenser tank
- 7 Spray trigger
- 8 Collection tank
- 9 Collection tank release button
- 10 Liquid plug
- 11 Latch
- 12 Vacuum nozzle
- 13 Bristle brushes
- 14 Powered scrub brush (BHSB320JP only)
- 15 Foam filter
- 16 Pre-filter
- 17 Chute
- 18 Nozzle cover
- 19 Spray nozzle
- 20 Charger
- 21 Jack plug

⚠ WARNING! Read all safety warnings and all instructions. Failure to follow the warnings and instructions may result in electric shock, fire and/or serious injury.

⚠ WARNING: To reduce the risk of injury, read the instruction manual.

IMPORTANT SAFETY INSTRUCTIONS

When using an electrical appliances, basic precautions should always be followed, including the following:

READ ALL INSTRUCTIONS BEFORE USING THIS APPLIANCE.

⚠ WARNING: Read all safety warnings and all instructions. Failure to follow the warnings and instructions listed below may result in electric shock, fire and/or serious injury.

⚠ WARNING: Some household dust contains chemicals known to the State of California to cause cancer, birth defects or other reproductive harm such as asbestos and lead in lead based paint.

⚠ WARNING: To reduce the risk of fire, electrical shock or injury:

- Do not allow to be used as a toy. Close attention is necessary when used by or near children.
- Use only as described in this manual. Use only manufacturer's recommended attachments.
- Do not use with damaged cord or plug. If appliance is not working as it should, has been dropped, damaged, left outdoors, or dropped into water, return it to a service center.
- Do not pull or carry by cord, use cord as a handle, close a door on cord, or pull cord around sharp edges or corners. Do not run appliance over cord. Keep cord away from heated surfaces.
- Do not unplug by pulling on cord. To unplug, grasp the plug, not the cord.
- Do not handle charger, including charger plug, and charger terminals with wet hands.
- Do not put any object into openings. Do not use with any opening blocked; keep free of dust, lint, hair, and anything that may reduce air flow.
- Keep hair, loose clothing, fingers, and all parts of body away from openings and moving parts.
- Use extra care when cleaning on stairs.
- Do not use to pick up flammable or combustible liquids, such as gasoline, or use in areas where they may be present.
- Do not pick up anything that is burning or smoking, such as cigarettes, matches, or hot ashes.
- Do not use without dust bag and/or filters in place.
- Do not charge the unit outdoors.
- Use only the charger supplied by the manufacturer to recharge.
- Do not incinerate the appliance even if it is severely damaged. The batteries can explode in a fire.
- This appliance is intended for household use only and not for commercial or industrial use.

- **Shock Hazard.** To protect against risk of electrical shock, do not put unit or charging base in water or other liquid.
- Do not allow the cord to hang over the edge of a table or counter or touch hot surfaces. The unit should be placed or mounted away from sinks and hot surfaces.
- Plug the charger directly into an electrical outlet.
- Use the charger only in a standard electrical outlet (120V/60Hz).
- Unplug the charger from outlet before any routine cleaning or maintenance.
- Do not look into the air vents when the unit is switched on, as sometimes there is a possibility of small debris being discharged from the air vents, especially after cleaning / replacement of the filters as debris inside the unit can be disturbed.
- Leaks from battery cells can occur under extreme conditions. If the liquid, which is a 20-35% solution of potassium hydroxide, gets on the skin (1) wash quickly with soap and water or (2) neutralize with a mild acid such as lemon juice or vinegar. If the liquid gets into the eyes, flush them immediately with clean water for a minimum of 10 minutes. Seek medical attention.

ADDITIONAL SAFETY WARNINGS

- a) **Do not pick up toxic materials (chlorine bleach, ammonia, drain cleaner, pesticides, insecticides, etc).**
- b) **Prevent unintentional starting. Ensure the switch is in the off-position before picking up or carrying the appliance.** Carrying the appliance with your finger on the switch or energizing appliance that have the switch on invites accidents.
- c) **Recharge only with the charger specified by the manufacturer.** A charger that is suitable for one type of battery pack may create a risk of fire when used with another battery pack.
- d) **Do not use a battery pack or appliance that is damaged or modified.** Damaged or modified batteries may exhibit unpredictable behavior resulting in fire, explosion or risk of injury.
- e) **Do not expose a battery pack or appliance to fire or excessive temperature.** Exposure to fire or temperature above 266 °F (130 °C) may cause explosion.
- f) **Have servicing performed by a qualified repair person using only identical replacement parts.** This will ensure that the safety of the product is maintained.
- g) Only for use with S003AQU1500015 and S010QU1400040 chargers.
- h) **Follow all charging instructions and do not charge the battery pack or appliance outside of the temperature range specified in the instructions.** Charging improperly or at temperatures outside of the specified range may damage the battery and increase the risk of fire.
- i) **Under abusive conditions, liquid may be ejected from the battery, avoid contact. If contact accidentally occurs, flush with water. If liquid contacts eyes, additionally seek medical help.** Liquid ejected from the battery may cause irritation or burns.

- j) **Follow all charging instructions and do not charge the battery pack or appliance outside of the temperature range specified in the instructions.** Charging improperly or at temperatures outside of the specified range may damage the battery and increase the risk of fire.
- k) **Do not modify or attempt to repair the appliance except as indicated in the instructions for use and care.**
- l) **Do not store or use this product at ambient temperatures below 39°F (4°C) or above 104°F (40°C).**

SAVE THESE INSTRUCTIONS

SYMBOLS

The label on your tool may include the following symbols. The symbols and their definitions are as follows:

- V.....volts
- A.....amperes
- Hz.....hertz
- W.....watts
- min.....minutes
- ~ or AC.....alternating current
- or DC.....direct current
- n₀.....no load speed
- Ⓜ.....Class I Construction (grounded)
- ⊕.....earthing terminal
- ⚠.....safety alert symbol
- Ⓜ.....Class II Construction (double insulated)
- .../min or rpm.....revolutions or reciprocation per minute
- Wh.....Watt Hours

Intended use

Your BLACK+DECKER vacuum has been designed for vacuuming everyday spills of wet and chunky messes. This appliance is intended for household use only.

ASSEMBLY

⚠ WARNING: Do not attempt to modify or repair the appliance

Charging the Battery (Fig. B)

⚠ WARNING: For use only with the supplied charger.

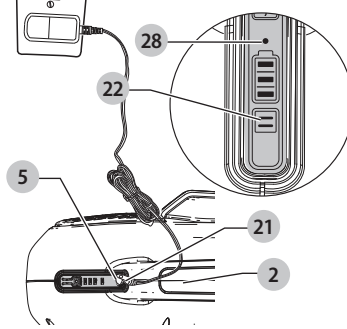
⚠ WARNING: Do not charge the battery at ambient temperatures below 39°F (4°C) or above 104°F (40°C).

From new, the rechargeable cells of the product need a minimum charge time of 10 hours for BHSB315J and 13 hours for BHSB320JP to ensure full power.

1. The switch must be in the OFF position, the appliance will not charge if it is in any other position.
2. **Fig. B** - Plug the jack plug **21** of the charger into the charging socket **5** of the tool.
3. Plug the charger into any standard 120 Volt 60 Hz electrical outlet.
4. The charge indicator LED **28** at the back of the main handle **2** will illuminate while charging.
5. The charge indicator LED **28** will turn off upon completion of charging.

NOTE: While charging, the charger may get warm, this is perfectly normal and safe. It is safe to leave the appliance connected to the charger indefinitely. The charger automatically reduces power consumption when charging is complete.

Fig. B



⚠ WARNING: Do not charge the battery at ambient temperatures below 39 °F (4 °C) or above 104 °F (40 °C).

State of Charge Indicator (Fig. B)

This appliance includes a state of charge indicator **4** which consists of three LED lights that indicate the level of charge remaining in the battery.

To check the state of charge, press the state of charge button **22**.

The state of charge indicator is an indication of approximate levels of charge remaining in the battery pack:

NOTE: The state of charge indicator is only an indication of the charge left on the battery. It does not indicate tool functionality and is subject to variation based on product components, temperature and end-user application.

OPERATION (Fig. A)

⚠ WARNING: TO REDUCE THE RISK OF ELECTRIC SHOCK – USE INDOORS ONLY.

⚠ WARNING: To reduce the risk of serious personal injury, turn unit OFF before making any adjustments or removing/installing attachments or accessories. An accidental start-up can cause injury.

⚠ WARNING: Projectile/Respiratory Hazard: Never use the vac without its foam filter **15**.

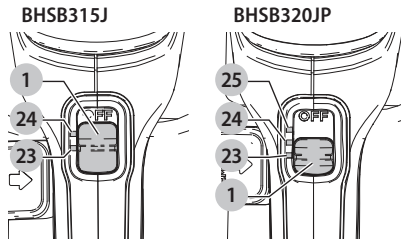
Switching ON and OFF (Fig. A, C)

BHSB315J

1. To start the vacuum, slide the switch **1** forward to the ON position **24**.
2. To stop the vacuum, return the switch to the OFF position **23**.
3. Return the product to the charger immediately after use so that it will be ready and fully charged for the next use. Ensure that the product is fully engaged with the charger plug.

BHSB320JP

1. To start the vacuum, slide the switch **1** forward to the ON position **24**.
2. To start the powered scrub brush **14**, slide the switch **1** forward to the scrub and vacuum position **25**.
3. To stop the vacuum, return the switch to the OFF position **23**.
4. Plug the jack plug **21** of the charger into the charging socket **5** of the tool immediately after use so that it will be ready and fully charged for the next use. Ensure that the product is fully engaged with the charger plug.



Vacuuming Dry and Wet Spills (Fig. A)

Wet and Chunky Messes Pick-Up



CAUTION: *Make slow, controlled passes. Making rapid back and forward motions may cause the liquid to spill into the exhaust. If fluid passes through the exhaust, stop use and empty the collection tank. See **Cleaning Collection Tank** for instructions.*

This vacuum can be used to pick up everyday wet and chunky spills.

1. For best results while vacuuming wet and chunky spills, hold the vacuum at a 45° angle and pull it toward you.
2. If there is any liquid in the collection tank, do not turn the unit upside down, sideways, point the vacuum nozzle **12** upward, or shake the vac excessively.
3. After picking up liquid substances clean the vac and collection tank immediately. Mold and mildew may form if the unit is not properly cleaned after wet pickups.

Hard and Carpeted Surfaces BHSB315J and BHSB320JP

Vacuum only mode

1. Switch the vacuum to the ON position.
2. Set the vacuum nozzle **12** angled down just passed the edge of the spill, pull the vacuum nozzle **12** backward and through the mess.
3. Multiple passes may be necessary depending on the type of surface and the size of the mess being cleaned.

Scrub and vacuum mode (BHSB315J Only)

1. Switch the vacuum to the ON position.
2. Make a forward pass over the area that needs to be cleaned. Vacuuming is optimized with nose slightly angled forward with the vacuum nozzle **12** on the area being cleaned.
3. Make a backward pass over the area that needs to be cleaned. Vacuuming is optimized with the vacuum nozzle **12** pressed firmly into the carpet or against the surface being cleaned, at a slightly steeper angle than the forward pass.
4. Multiple passes may be necessary depending on the type of surface and the size of the mess being cleaned.
5. If a stain is still present, refer to **Stain Cleaning** instructions.

Scrub and vacuum mode (BHSB320JP Only)

1. Switch the vacuum to the scrub and vacuum position **25**. The powered scrub brush **14** will activate.
2. Make a forward pass over the area that needs to be cleaned. Vacuuming is optimized with nose slightly angled forward with the vacuum nozzle **12** on the area being cleaned.
3. Make a backward pass over the area that needs to be cleaned. Vacuuming is optimized with the vacuum nozzle **12** pressed firmly into the carpet or against the surface being cleaned, at a slightly steeper angle than the forward pass.
4. Multiple passes may be necessary depending on the type of surface and the size of the mess being cleaned.
5. If a stain is still present, refer to **Stain Cleaning** instructions.

Stain Cleaning (Fig. D)



CAUTION: *Use only with Portable Machine Carpet Cleaner Formulas in this vacuum cleaner, for example Resolve® Portable Machine Formula. They are specially formulated for use with your handheld carpet cleaners. Use of cleaning formulas which contain lemon, pine oil or vinegar may damage this appliance and void the warranty. Chemical spot cleaners or solvent-based soil removers also should not be used. These products may react with the plastic materials used in your cleaner, causing cracking or pitting.*

CAUTION: Do not excessively scrub carpets and rugs. As needed, test scrub in an inconspicuous area to ensure the rug or carpet will not be damaged.

CAUTION: When using cleaning chemicals on carpets and rugs for the first time, test in an inconspicuous area if there is concern that cleaning will blemish the rug or carpet.

CAUTION: After each use, remove and clean the chute **17** and nozzle cover **18** with warm water and a mild dish soap and allow them to dry. Refer to **Cleaning Chute & Nozzle Cover** section.

Filling Formula Dispenser

1. Remove formula dispenser tank **6** by pulling straight up and away from the main body **3**.

2. Hold the formula dispenser tank **6** over a sink or other appropriate area, unscrew the cap **26** and fill with an suitable cleaning solution, up to 4 oz.

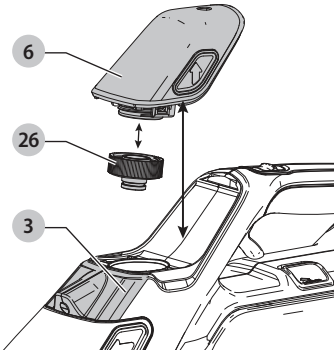
NOTE: Follow the manufacturer instructions of the suitable portable carpet cleaner formula for proper use.

3. Replace cap **26** to the formula dispenser tank **6**.

4. Insert formula dispenser tank **6** into the main body **3**. An audible click will be heard indicating the tank is secured in position.

NOTE: To ensure the formula dispenser tank **6** is fully seated, ensure there are no gaps in the seams between the dispenser tank **6** and main body **3**. The formula dispenser tank may leak if gaps are present.

Fig. D



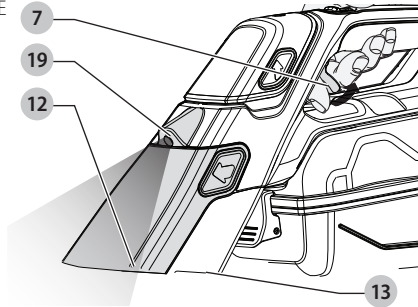
Cleaning New/Fresh Spills (Fig. E) BHSB315J Only

1. Switch the vacuum to the ON position.
2. Vacuum the liquid and solids from the area of the spill using the vacuum nozzle **12**.
3. Switch vacuum OFF, empty the collection tank of any liquids or solids and look for any remaining stains.
4. If a stain is present, angle formula dispenser spray nozzle **19** toward the stain and pull the spray trigger **7** under the main handle **2** to dispense the cleaning solution.
5. Apply cleaning solution to the entire stained area, but do not over-saturate the cleaning surface.

CAUTION: If too much cleaning solution is applied, excessive foaming can occur.

6. Scrub stained area with the bristle brushes **13**.
7. Switch the vacuum to the ON position.
8. Vacuum the liquid and foam on the stained area by tilting the unit to a slight angle and ensuring the vacuum nozzle **12** makes contact with the liquid and foam.
NOTE: Pull the vacuum nozzle **12** backward over the area to improve suction. Repeat this process across the entire stained area.
9. Repeat the spray solution, scrubbing and vacuuming process as necessary.
10. Once area is cleaned, allow the area to completely dry and check treated area for any remaining staining.
NOTE: Treated area may still appear stained while wet. Please allow treated area 24 hours to dry completely. If still stained, repeat stain cleaning process.

Fig. E



Cleaning New/Fresh Spills (Fig. F) BHSB320JP Only

1. Switch the vacuum to the ON position.
2. Vacuum the liquid and solids from the area of the spill using the vacuum nozzle **12**.
3. Switch vacuum OFF, empty collection tank of any liquids or solids and look for any remaining stains.
4. If a stain is present, angle formula dispenser spray nozzle **19** toward the stain and pull the spray trigger **7** under the main handle **2** to dispense the cleaning solution.
5. Apply cleaning solution to the entire stained area, but do not over-saturate the cleaning surface.

CAUTION: If too much cleaning solution is applied, excessive foaming can occur.

6. Switch vacuum to scrub and vacuum position **25**.
7. Placing the face of the powered scrub brush **14** flat to the surface, moderately pressing down to engage brush into the surface, slowly move the unit back and forth over the stained area.
8. Switch to Vacuum mode.
9. Vacuum the liquid and foam on the stained area by tilting the unit to a slight angle and ensuring the vacuum nozzle **12** makes contact with the liquid and foam.
NOTE: Pull the vacuum nozzle **12** backward over the

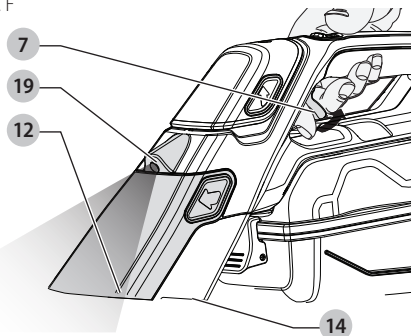
area to improve suction. Repeat this process across the entire stained area.

10. Repeat the spray solution, scrubbing and vacuuming process as necessary.

11. Once area is cleaned, allow the area to completely dry and check treated area for any remaining staining.

NOTE: Treated area may still appear stained while wet. Please allow treated area 24 hours to dry completely. If still stained, repeat stain cleaning process.

Fig. F



Emptying and Cleaning the Collection Tank (Fig. G-I)

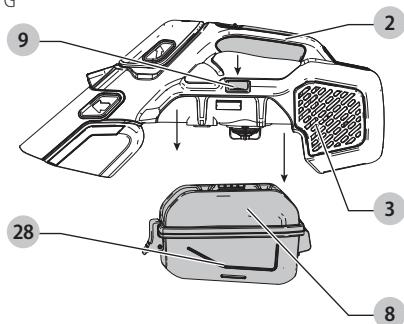
There are two methods of cleaning the collection tank **8**, a quick empty method for liquid only waste and a thorough clean out method for solid and liquid waste.

Removing Collection Tank (Fig. G)

⚠ WARNING: *DO NOT* try to empty waste in the collection tank **8** when still installed on the main body **3**.

1. When fluid reaches the max. fill line **28** (250 ml), turn the vacuum OFF.
2. Slide the collection tank release button **9** toward the main handle **2**.
3. Pull the collection tank **8** straight down and away from the main body **3**.

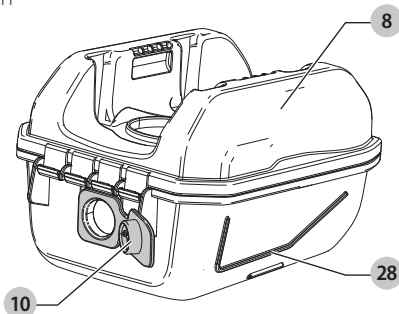
Fig. G



Liquid Only Waste (Fig. H)

1. Remove collection tank **8** from main body **3**.
2. Place collection tank **8** over an appropriate disposal area.
3. Pull the liquid plug **10** and tilt the collection tank **8** to drain liquid contents quickly.
4. Once drained, reinstall liquid plug **10**.
5. Install collection tank **8** onto main body **3** until it "clicks" firmly into position and resume cleaning.
6. If cleaning task is complete, follow **Maintenance** instructions for cleaning and storage.

Fig. H



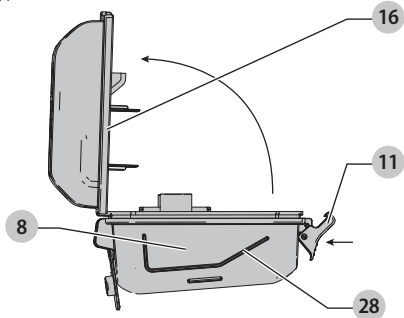
Solid and Liquid Waste (Fig. I)

⚠ WARNING: *DO NOT* try to empty waste in the collection tank **8** when still installed on the main body **3**.

1. When fluid reaches the max. fill line **28** (250 ml), turn the vacuum OFF.
NOTE: It is best to empty the collection tank **8** before the fluid reaches the max. fill line **28** (250 ml).
2. Remove collection tank **8** from main body **3**.
3. Place collection tank **8** over an appropriate disposal area.
4. While holding the bottom half of the collection tank, unlock the latch **11** at the front of the collection tank **8**.
5. Open the collection tank **8** and pour the contents into an appropriate disposal area.
6. Rinse the collection tank **8** with water to remove leftover debris.
7. Close the collection tank **8** and lock the latch **11**, ensuring the collection tank **8** is properly sealed.
8. Remove the foam filter **15** and rinse clean with water and allow to dry. See **Cleaning Collection Tank** for instructions. Once dry and clean, install into place.
NOTE: The foam filter is re-usable, do not confuse it with a disposable filter, and do not throw it away when the product is emptied. We recommend that you replace the foam filter every 6–9 months depending on frequency of use.
NOTE: Check to see if the pre-filter **16** is free of water and debris. Clean if needed. See **Cleaning Collection Tank** for instructions.
9. Install collection tank **8** onto main body **3** until it "clicks" firmly into position and resume cleaning.

10. If cleaning task is complete, follow **Maintenance** instructions for cleaning and storage.

Fig. I



IMPORTANT: Maximum debris collection will only be obtained with a clean filter, clean chute and an empty collection tank. If debris begins to fall back out of the product after it is switched OFF, this indicates that the collection tank is full and requires emptying.

- Wash the foam filter, chute and collection tank using warm soapy water after use and ensure that it is completely dry before storage.
- It is very important that the filter is correctly in position before use.

MAINTENANCE

Use only mild soap and damp cloth to clean the vac. Never let any liquid get inside the vac; never immerse any part of the vac into a liquid.

! WARNING: *Make sure the vacuum is completely dry before using it.*

IMPORTANT: To assure product SAFETY and RELIABILITY, repairs, maintenance and adjustment (other than those listed in this manual) should be performed by authorized service centers or other qualified service organizations, always using identical replacement parts.

Removing and Cleaning the Powered Scrub Brush (BHSB320JP Only) (Fig. J-L)

! CAUTION: *To reduce the risk of personal injury, turn unit OFF before making any adjustments or removing/installing attachments or accessories. An accidental start-up can cause injury.*

1. To remove the powered scrub brush **14** depress the release button **29** as shown in Fig. J.
2. The scrub brush assembly **30** can now be lifted up and removed.
3. Lift the powered scrub brush **14** from the scrub brush cover **31**.
4. Clean the powered scrub brush **14**, and reassemble. **NOTE:** Ensure the scrub brush assembly **30** is snapped into its locked position before operating.

5. To insert the powered scrub brush **14** back into the unit, first insert the scrub brush **14** into the scrub brush cover **31**, then install the scrub brush assembly **30** back into the unit.
6. The scrub brush assembly **30** is secured in place when you hear an audible click and the scrub brush cover **31** of the scrub brush assembly **30** is flat with the mounting surface.

Fig. J

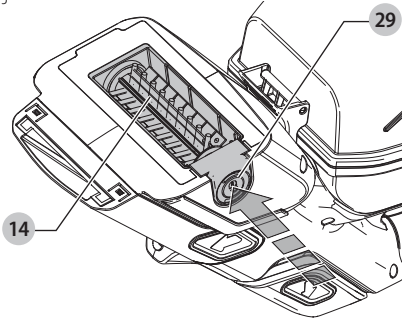


Fig. K

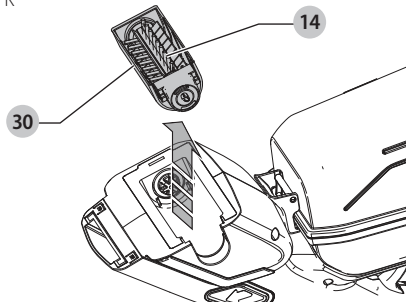
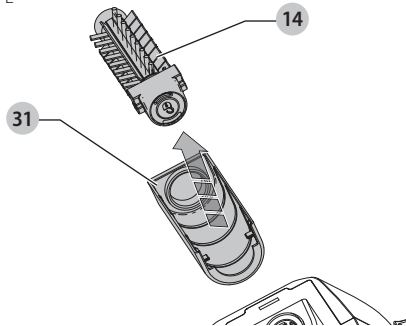


Fig. L



Cleaning Collection Tank (Fig. M)

! CAUTION: *Collection tank **8** and pre-filter **16** are top rack only, dish washer safe. It is recommended that you manually rinse the collection tank **8** and pre-filter **16** before placing them in the top rack of the dishwasher.*

1. Pull out the pre-filter **16** from inside the collection tank **8**. **NOTE:** Pre-filter **16** may require extra pulling force when removing from the collection tank **8**.

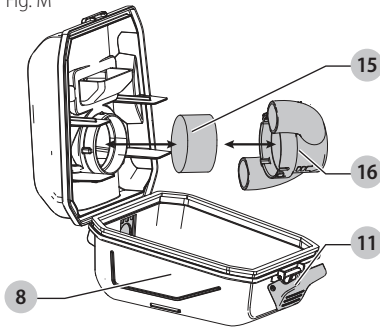
ENGLISH

2. Ensure foam filter **15** inside the pre-filter **16** is still dry. Rinse and wash as necessary.
3. Rinse and wash pre-filter **16** as necessary.
4. Rinse and wash collection tank **8** as necessary.
NOTE: Collection tank **8** and pre-filter **16** are dish washer safe (top rack only).
5. Ensure all components are completely dry before re-assembling.
6. Once cleaning is finished, insert foam filter **15** into the pre-filter **16**.

7. Install the pre-filter **16** into the collection tank **8**, close and latch the tank, and install it back onto the main body **3**.

NOTE: Ensure pre-filter **16** is fully sealed to collection tank **8** by gently tugging on pre-filter **16**. If pre-filter **16** is loose, fully press the pre-filter **16** into the collection tank **8** until it snaps into place.

Fig. M



Cleaning Chute & Nozzle Cover (Fig. N)



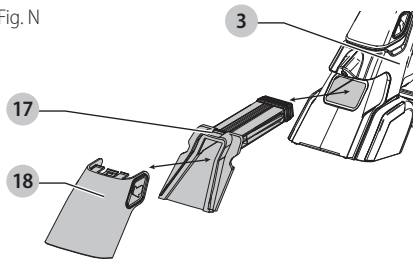
CAUTION: Nozzle cover **18** and chute **17** are top rack only, dish washer safe. It is recommended that you manually rinse the nozzle cover **18** and chute **17** before placing them in the top rack of the dishwasher.

1. Remove the chute **17** and nozzle cover **18** by pulling the retention button slightly. Then pull the nozzle cover **18** away from the main body **3**.
2. The nozzle cover **18** can be lifted away from the chute **17** to rinse and wash each component.
3. The nozzle cover **18** and chute **17** are dish washer safe (top rack only).
4. Ensure the chute **17** and nozzle cover **18** are dry before re-assembling.

5. Once cleaning is finished, attach nozzle cover **18** onto the chute **17** and insert into the assembly into the front of the main body **3**.

NOTE: Ensure the top clip of the nozzle cover **18** fully snaps into place onto the chute **17**. This may require extra pushing force.

Fig. N



Storage (Fig. A, B)

1. Ensure main body **3** is turned OFF.
2. Empty fluid tank of all chemicals. Wash with warm clean water and dry the formula dispenser tank **6**, chute **17** and nozzle cover **18**. Ensure collection tank **8** is emptied and cleaned to reduce dirt build up.
3. Check if charging is required by pressing the state of charge indicator button **22** at the back of the main handle **2**. If charge is required, plug in the jack plug **21** to charging socket **5** and allow the appliance to charge.
4. Store main body **3** in a cool, dry area.
5. Store main body **3** with the collection tank **8** on a flat level surface and switch **1** facing up.
6. Store out of reach of children or pets.

TROUBLESHOOTING

If the product does not work, check the following:

- The charger was correctly plugged in for recharge. (It feels slightly warm to the touch.)
- The charger cord is not damaged and is correctly attached.
- The charger is plugged into a working electrical outlet.
- The switch is in the "OFF" position when charging.

For assistance with your product, visit our website

www.blackanddecker.com for the location of the service center nearest you or call the BLACK+DECKER help line at 1-800-544-6986.

ACCESSORIES

Recommended accessories for use with your appliance are available from your local dealer or authorized service center. If you need assistance regarding accessories, please call: 1-800-544-6986.



WARNING: The use of any accessory not recommended for use with this appliance could be hazardous.

SERVICE INFORMATION

All BLACK+DECKER Service Centers are staffed with trained personnel to provide customers with efficient and reliable power tool service. Whether you need technical advice, repair, or genuine factory replacement parts, contact the BLACK+DECKER location nearest you. To find your local

service location, call: **1-800-544-6986** or visit
www.blackanddecker.com

TWO-YEAR LIMITED WARRANTY

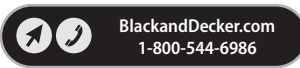
Black & Decker (U.S.) Inc. warrants this product to be free from defects in material or workmanship for a period of two (2) years following the date of purchase, provided that the product is used in a home environment. This limited warranty does not cover failures due to abuse, accidental damage or when repairs have been made or attempted by anyone other than BLACK+DECKER and its Authorized Service Centers. A defective product meeting the warranty conditions set forth herein will be replaced or repaired at no charge in either of two ways:

The first, which will result in exchanges only, is to return the product to the retailer from whom it was purchased (provided that the store is a participating retailer). Returns should be made within the time period of the retailer's policy for exchanges. Proof of purchase may be required. Please check with the retailer for its specific return policy regarding time limits for returns or exchanges. The second option is to take or send the product (prepaid) to a BLACK+DECKER owned or authorized Service Center for repair or replacement at BLACK+DECKER's option. Proof of purchase may be required. BLACK+DECKER owned and authorized service centers are listed online at www.blackanddecker.com.

This warranty does not apply to accessories. This warranty gives you specific legal rights and you may have other rights which vary from state to state. Should you have any questions, contact the manager of your nearest BLACK+DECKER Service Center. This product is not intended for commercial use, and accordingly, such commercial use of this product will void this warranty. All other guarantees, express or implied, are hereby disclaimed.

LATIN AMERICA: This warranty does not apply to products sold in Latin America. For products sold in Latin America, check country specific warranty information contained in the packaging, call the local company or see the website for such information.

Imported by Black & Decker (U.S.) Inc.,
701 E. Joppa Rd.
Towson, MD 21286



Définitions : symboles et termes d'alarmes sécurité

Ces guides d'utilisation utilisent les symboles et termes d'alarmes sécurité suivants pour vous prévenir de situations dangereuses et de risques de dommages corporels ou matériels.

⚠ DANGER : indique une situation dangereuse imminente qui, si elle n'est pas évitée, **entraînera la mort ou des blessures graves.**

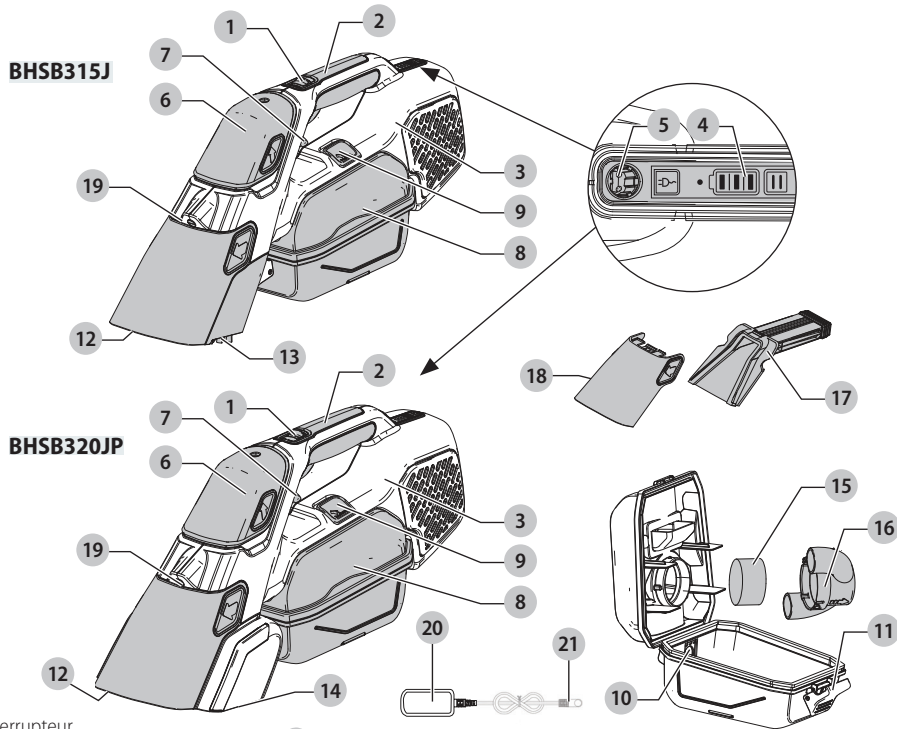
⚠ AVERTISSEMENT : indique une situation potentiellement dangereuse qui, si elle n'est pas évitée, **pourrait entraîner la mort ou des blessures graves.**

⚠ ATTENTION : indique une situation potentiellement dangereuse qui, si elle n'est pas évitée, **pourrait entraîner des blessures légères ou modérées.**

⚠ (Si utilisé sans aucun terme) Indique un message propre à la sécurité.

AVIS : indique une pratique ne posant **aucun risque de dommages corporels** mais qui par contre, si rien n'est fait pour l'éviter, **pourrait poser des risques de dommages matériels.**

Fig. A



- | | |
|---|---|
| 1 Interrupteur | 12 Buse d'aspiration |
| 2 Poignée principale | 13 Brosse de soies |
| 3 Corps principal | 14 Brosse à lavage électrique (BHSB320JP seulement) |
| 4 Voyants DEL de l'état de chargement | 15 Filtre en mousse |
| 5 Prise de chargement | 16 Préfiltre |
| 6 Réservoir du distributeur de nettoyant | 17 Conduit |
| 7 Gâchette du pulvérisateur | 18 Couverture de buse |
| 8 Réservoir de collecte | 19 Buse de pulvérisation |
| 9 Bouton de libération du réservoir de collecte | 20 Chargeur |
| 10 Bouchon du liquide | 21 Connecteur mâle |
| 11 Verrou | |

⚠ AVERTISSEMENT!
lire tous les avertissements de sécurité et toutes les directives. Le non-respect des avertissements et des directives pourrait se solder par un choc électrique, un incendie et/ou une blessure grave.

⚠ AVERTISSEMENT :
afin de réduire le risque de blessures, lire le mode d'emploi de l'outil.

CONSIGNES IMPORTANTES DE SÉCURITÉ

Lorsque vous utilisez un appareil électrique, des précautions élémentaires devraient toujours être prises, incluant les suivantes :

LISEZ TOUTES LES INSTRUCTIONS AVANT D'UTILISER CET APPAREIL.

⚠ AVERTISSEMENT : lisez tous les avertissements de sécurité et toutes les instructions. Ne pas suivre les avertissements et les instructions ci-dessous peut conduire à un choc électrique, un incendie et/ou des blessures graves.

⚠ AVERTISSEMENT : certaines poussières domestiques comme l'amiante ou le plomb dans la peinture à base de plomb contiennent des produits chimiques reconnus dans l'État de la Californie pour causer le cancer et des anomalies congénitales ou autres effets nuisibles sur la reproduction.

⚠ AVERTISSEMENT : afin de réduire le risque d'incendie, de choc électrique ou de blessure :

- Ne pas le laisser être utilisé comme un jouet. Une attention particulière est nécessaire lorsque l'appareil est utilisé par des enfants ou près des enfants.
- Utilisez seulement comme décrit dans le présent guide. Utilisez seulement les accessoires recommandés du fabricant.
- Ne pas utiliser avec un cordon ou une fiche endommagée. Si l'appareil ne fonctionne pas comme il le devrait, a été échappé, endommagé, laissé à l'extérieur ou échappé dans l'eau, retournez-le dans un centre de service.
- Ne pas tirer ou transporter par le cordon, utiliser celui-ci comme une poignée, le passer sous une porte ou autour d'arêtes ou coins acérés. Ne pas passer la machine sur le cordon. Gardez le cordon éloigné des surfaces chaudes.
- Ne pas débrancher en tirant sur le cordon. Pour débrancher, saisissez la fiche, pas le cordon.
- Ne pas toucher au chargeur, incluant la fiche et les bornes du chargeur avec vos mains mouillées.
- Ne pas mettre tout objet dans les ouvertures. Ne pas utiliser si une ouverture est bloquée; tenez à l'écart de la poussière, de la charpie, des cheveux et de tout ce qui peut réduire la circulation de l'air.
- Gardez vos cheveux, vos vêtements amples, vos doigts et toutes les parties de votre corps loin des ouvertures et des pièces en mouvement.

- Redoublez de prudence durant le nettoyage d'escaliers.
- Ne pas utiliser pour ramasser des liquides combustibles ou inflammables, comme l'essence ou utiliser dans des endroits où ils sont présents.
- Ne pas ramasser tout ce qui brûle ou fume comme des cigarettes, des allumettes ou des cendres chaudes.
- Ne pas utiliser sans le sac à poussière et/ou les filtres en place.
- Ne pas recharger l'appareil à l'extérieur.
- Utilisez seulement le chargeur fourni par le fabricant pour recharger.
- Ne pas incinérer l'appareil même s'il est sévèrement endommagé. Les piles peuvent exploser sous la chaleur.
- Cet appareil n'est prévu que pour usage domestique et non pour utilisation commerciale ou industrielle.
- Danger de choc électrique. Afin de se protéger contre le risque de choc électrique, ne pas mettre l'appareil ou la base de chargement dans l'eau ou autre liquide.
- Ne pas laisser le cordon pendre du bord d'une table ou comptoir ou entrer en contact avec une surface chaude. L'unité ne devrait pas être placée ou montée près d'éviers ou de surfaces chaudes.
- Branchez le chargeur directement dans une prise de courant.
- Branchez le chargeur seulement dans une prise de courant domestique standard (120 V/60 Hz).
- Débranchez le chargeur de la prise avant tout entretien ou nettoyage de routine.
- Ne pas regarder dans les événements lorsque l'appareil est en marche parce qu'il arrive parfois que de petits débris puissent être éjectés des événements, particulièrement après le nettoyage/remplacement des filtres puisque les débris à l'intérieur de l'appareil peuvent être dérangés.
- Une fuite des éléments de piles peut se produire en conditions extrêmes. Si le liquide (qui est une solution de 20 à 35 % d'hydroxyde de potassium) se retrouve sur l'épiderme, (1) lavez sans attendre à l'eau et savon et (2) neutralisez avec un produit légèrement acide comme du jus de citron ou du vinaigre. Si du liquide entre dans les yeux, rincez immédiatement avec de l'eau propre pour une durée minimum de 10 minutes. Consultez un médecin.

AVERTISSEMENTS DE SÉCURITÉ SUPPLÉMENTAIRES

- Ne pas ramasser des matières toxiques (eau de Javel, ammoniac, produit débouchant, pesticides, insecticides, etc.).**
- Empêchez le démarrage non intentionnel. Assurez-vous que l'interrupteur est en position Arrêt avant de ramasser et de transporter l'appareil.** Transporter l'appareil avec votre doigt sur l'interrupteur ou mettre sous tension un appareil dont le commutateur de marche est fermé favorise les accidents.
- Rechargez seulement avec le chargeur indiqué par le fabricant.** Un chargeur est approprié pour un type de bloc-piles et peut créer un risque d'incendie s'il est utilisé avec un bloc-piles d'un autre type.

- d) **Ne pas utiliser un bloc-piles ou un appareil qui est endommagé ou qui a été modifié.** Les piles endommagées ou modifiées peuvent avoir un comportement imprévisible entraînant un incendie, une explosion ou un risque de blessure.
- e) **Ne pas exposer le bloc-piles ou l'appareil au feu ou à une température excessive.** L'exposition au feu ou à une température au-dessus de 130°C (266°F) pourrait entraîner une explosion.
- f) **Pour les réparations, se référer à une personne qualifiée utilisant uniquement des pièces de rechange d'origine identiques.** Ceci assurera le maintien de la sécurité du produit.
- g) **Utilisez seulement avec des chargeurs S003AQU1500015 et S010QU1400040.**
- h) **Suivez les instructions de chargement et ne pas charger le bloc-piles ou l'appareil hors de la plage de températures indiquée dans les instructions.** Charger de façon inappropriée ou hors de températures de la plage indiquée peut endommager la pile et augmenter le risque d'incendie.
- i) **En conditions abusives, du liquide peut être éjecté de la pile, évitez le contact.** Si un contact se produit accidentellement, rincez avec de l'eau. Si du liquide entre en contact avec les yeux, consultez aussi un médecin. Le liquide éjecté de la pile peut entraîner une irritation ou des brûlures.
- j) **Suivez les instructions de chargement et ne pas charger le bloc-piles ou l'appareil hors de la plage de températures indiquée dans les instructions.** Charger de façon inappropriée ou hors de températures de la plage indiquée peut endommager la pile et augmenter le risque d'incendie.
- k) **Ne pas modifier ou tenter de réparer l'appareil sauf si c'est indiqué dans le mode d'emploi et d'entretien.**
- l) **Ne pas entreposer ou utiliser la pile à des températures ambiantes sous 4 °C (39 °F) ou au-dessus de 40 °C (104 °F).**

CONSERVEZ CES INSTRUCTIONS

SYMBOLES

L'étiquette apposée sur votre outil pourrait comprendre les symboles suivants. Les symboles et leurs définitions sont indiqués ci-après :

- V..... volts
 A..... ampères
 Hz..... hertz
 W..... watts
 min..... minutes
 ~ ou AC..... courant alternatif
 = ou DC..... courant continu
 n°..... sous vide

- Ⓛ Construction de classe I
 ⊕ borne de mise à la minute (mis à la terre)
 □ Construction de classe II
 ⚠ symbole d'avertissement
 .../min tours à la minute
 Wh..... Watt Heures

Utilisation prévue

Votre aspirateur BLACK+DECKER a été conçu pour l'aspiration de déversements quotidiens de dégâts humides et épais. Cet appareil est conçu pour un usage domestique seulement.

ASSEMBLAGE

⚠ AVERTISSEMENT : ne pas tenter de modifier ou de réparer l'appareil

Charger la pile (Fig. B)

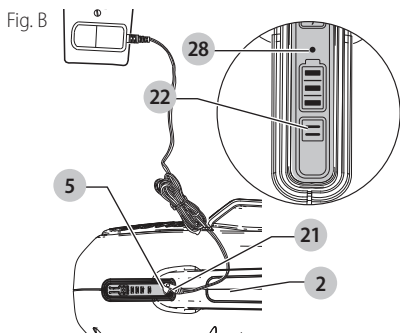
⚠ AVERTISSEMENT : pour utilisation avec le chargeur fourni seulement.

⚠ AVERTISSEMENT : Ne pas charger la batterie à des températures ambiantes inférieures à 4 °C (39 °F) ou supérieures à 40 °C (104 °F).

Lorsqu'elles sont neuves, les piles rechargeables du produit ont besoin d'un temps de charge minimum de 10 heures pour BHSB315J et 13 heures pour BHSB320JP afin d'assurer une pleine puissance.

1. L'interrupteur doit être à la position Arrêt, l'appareil ne se chargera pas s'il est dans une autre position.
2. **Fig. B** - Branchez le connecteur mâle **21** du chargeur dans la prise de chargement **5** de l'outil.
3. Branchez le chargeur dans une prise électrique 120 Volts 60 Hz standard.
4. Le voyant DEL de chargement **28** à l'arrière la poignée principale **2** s'allumera pendant le chargement.
5. Le voyant DEL de chargement **28** s'éteindra dès la fin du chargement.

REMARQUE : Pendant le chargement, le chargeur peut devenir chaud. Ceci parfaitement normal et sécuritaire. L'appareil peut demeurer connecté sur le chargeur indéfiniment sans aucun problème. Le chargeur réduit automatiquement sa consommation de courant lorsque le chargement est terminé.



AVERTISSEMENT : ne pas charger la pile à des températures sous 4°C (39°F) ou au-dessus de 40°C (104°F).

Voyant de l'état du chargement (Fig. B)

Le présent appareil comprend un voyant de l'état de chargement **4** comprenant trois voyants DEL blancs indiquant son niveau de chargement restant dans la pile.

Afin de vérifier l'état de chargement, appuyez sur le bouton de l'état de chargement **22**.

Le voyant de l'état de chargement est une indication du niveau approximatif de chargement restant dans le bloc-piles :

REMARQUE : L'indicateur de l'état de charge est seulement une indication du niveau de charge restant dans le bloc-piles. Il n'indique pas le fonctionnement de l'outil et peut varier selon les composantes du produit, la température et l'application de l'utilisateur final.

FONCTIONNEMENT (Fig. A)

AVERTISSEMENT : AFIN DE RÉDUIRE LE RISQUE DE CHOC ÉLECTRIQUE : UTILISEZ À L'INTÉRIEUR SEULEMENT.

AVERTISSEMENT : Afin de réduire le risque de blessure corporelle grave, éteignez l'unité avant d'effectuer tout ajustement ou de retirer/installer des pièces ou des accessoires. Un démarrage accidentel peut causer des blessures.

AVERTISSEMENT : Risque de projectiles/respiratoires : Ne jamais utiliser cet aspirateur sans son filtre en mousse **15**.

Mise en Marche et Arrêt (Fig. A, C)

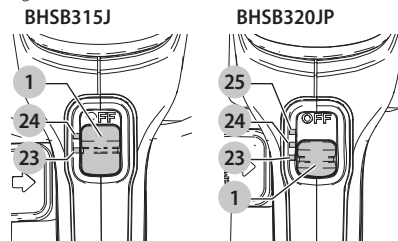
BHSB315J

1. Pour mettre l'aspirateur en marche, glissez l'interrupteur (1) vers la position Marche **24**.
2. Pour éteindre l'aspirateur, remettez l'interrupteur en position Arrêt **23**.
3. Remplacez l'aspirateur dans son chargeur immédiatement après l'utilisation afin qu'il soit prêt et entièrement chargé pour la prochaine utilisation. Assurez-vous que le produit est bien branché avec la fiche du chargeur.

BHSB320JP

1. Pour mettre l'aspirateur en marche, glissez l'interrupteur **1** vers la position Marche **24**.
2. Pour démarrer la brosse à lavage électrique **14**, glissez l'interrupteur **1** vers l'avant à la position Laver et aspirer **25**.
3. Pour éteindre l'aspirateur, remettez l'interrupteur en position Arrêt **23**.
4. Branchez le connecteur mâle **21** du chargeur dans la prise de chargement **5** de l'outil immédiatement après l'utilisation afin qu'il soit prêt et entièrement chargé pour la prochaine utilisation. Assurez-vous que le produit est bien branché avec la fiche du chargeur.

Fig. C



Aspiration de Déversements Secs et Humides (Fig. A)

Ramassage de Dégâts Humides et Épais

ATTENTION : effectuez des passages lents et contrôlés. Effectuer des mouvements avant arrière peut causer le déversement du liquide dans l'échappement. Si un fluide entre dans l'échappement, cessez l'utilisation et videz le réservoir de collecte. Consultez **Nettoyage du réservoir de collecte** pour des instructions.

Cet aspirateur peut être utilisé pour ramasser les déversements humides et épais quotidiens.

1. Pour les meilleurs résultats pendant l'aspiration de déversements humides et épais, tenez l'aspirateur à un angle de 45° et tirez-le vers vous.
2. S'il y a du liquide dans le réservoir de collecte, ne pas renverser l'unité vers le bas ou vers les côtés, pointez la buse d'aspiration **12** vers le haut ou secouez excessivement l'aspirateur.
3. Après avoir ramassé les substances liquides, nettoyez immédiatement l'aspirateur et le réservoir. De la moisissure peut se former si l'unité n'est pas bien nettoyée après les ramassages de matière humide.

Surfaces dures et couvertes de tapis BHSB315J et BHSB320JP

Mode Aspiration seulement

1. Mettez l'aspirateur à la position Marche.
2. Placez la buse d'aspiration **12** inclinée vers le bas tout de suite après l'extrémité déversement, tirez la buse d'aspiration **12** vers l'arrière et dans le dégât.

FRANÇAIS

- Plusieurs passages peuvent être nécessaires selon le type de surface et la taille du dégât à nettoyer.

Mode Lavage et aspiration (BHSB315J seulement)

- Mettez l'aspirateur à la position Marche.
- Effectuez un passage vers l'avant sur la zone qui doit être nettoyée. L'aspiration est optimisée par l'embout légèrement incliné vers la buse d'aspiration 12 sur la zone à nettoyer.
- Effectuez un passage vers l'arrière sur la zone qui doit être nettoyée. L'aspiration est optimisée par la buse d'aspiration 12 appuyée solidement sur le tapis et contre la surface à nettoyer, à un angle légèrement plus prononcé que pour le passage vers l'avant.
- Plusieurs passages peuvent être nécessaires selon le type de surface et la taille du dégât à nettoyer.
- Si une tache est encore présente, consultez les instructions **de nettoyage des taches**.

Mode Lavage et aspiration (BHSB320JP seulement)

- Mettez l'aspirateur à la position Lavage et aspiration 25. La brosse à lavage électrique 14 s'activera.
- Effectuez un passage vers l'avant sur la zone qui doit être nettoyée. L'aspiration est optimisée par l'embout légèrement incliné vers la buse d'aspiration 12 sur la zone à nettoyer.
- Effectuez un passage vers l'arrière sur la zone qui doit être nettoyée. L'aspiration est optimisée par la buse d'aspiration 12 appuyée solidement sur le tapis et contre la surface à nettoyer, à un angle légèrement plus prononcé que pour le passage vers l'avant.
- Plusieurs passages peuvent être nécessaires selon le type de surface et la taille du dégât à nettoyer.
- Si une tache est encore présente, consultez les instructions **de nettoyage des taches**.

Nettoyage des taches (Fig. D)

- ATTENTION :** utilisez seulement avec les nettoyeurs pour shampooineuses portatives pour tapis, par exemple le nettoyeur pour shampooineuses portatives Resolve®. Ils sont spécialement formulés pour être utilisés avec les shampooineuses pour tapis à main. L'utilisation de nettoyeurs qui contiennent du citron, de l'huile de pin ou du vinaigre peut endommager cet appareil et annuler la garantie. Les nettoyeurs pour taches chimiques ou les décapants de salissures à base de solvants ne doivent pas non plus être utilisés. Ces produits peuvent réagir avec les matériaux plastiques utilisés dans votre nettoyeur, causant des fissures ou des piqûres.

- ATTENTION :** ne pas laver les tapis et les carpettes de façon excessive. Au besoin, testez le lavage dans une zone discrète afin d'assurer que la carpette ou le tapis ne soit pas endommagé.

- ATTENTION :** lorsque vous utilisez des produits chimiques nettoyeurs sur des tapis ou des

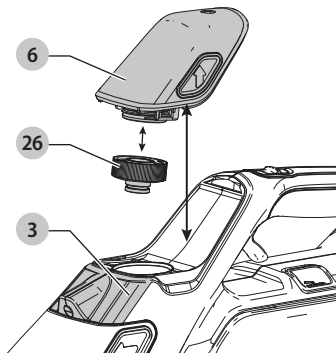
carpettes pour la première fois, testez dans une zone discrète si vous craignez que le nettoyage tache la carpette ou le tapis.

- ATTENTION :** après chaque utilisation, retirez et nettoyez le conduit 17 et le couvercle de buse 18 avec de l'eau tiède et un savon à vaisselle doux et laissez-les sécher. Consultez la section **Nettoyage du conduit et du couvercle de buse**.

Remplir le distributeur de nettoyeur

- Retirez le réservoir du distributeur de nettoyeur 6 en tirant directement loin du corps principal 3.
- Tenez le réservoir du distributeur de nettoyeur 6 au-dessus d'un évier ou un autre endroit approprié, dévissez le bouchon 26 et remplissez un nettoyeur approprié, jusqu'à 4 oz.
REMARQUE : Suivez les instructions du fabricant du nettoyeur approprié pour shampooineuses portatives pour tapis pour une utilisation appropriée.
- Remettez le bouchon 26 sur le réservoir du distributeur de nettoyeur 6.
- Insérez le réservoir du distributeur de nettoyeur 6 dans le corps principal 3. Un clic audible sera entendu indiquant que le réservoir est fixé en place.
REMARQUE : Afin d'assurer que le réservoir du distributeur de nettoyeur 6 est bien en place, assurez-vous qu'il n'y a aucun espace dans les joints entre le réservoir du distributeur de nettoyeur 6 et le corps principal 3. Le réservoir du distributeur de nettoyeur peut fuir s'il y a des espaces.

Fig. D



Nettoyage de déversements nouveaux/ frais (Fig. E)

BHSB315J seulement

- Mettez l'aspirateur à la position Marche.
- Aspirez le liquide et les solides de la zone du déversement à de la buse d'aspiration 12.
- Éteignez l'aspirateur, videz le réservoir de collecte de tout liquide ou solide et vérifiez s'il reste des taches.
- S'il y a une tache, inclinez la buse de pulvérisation du distributeur de nettoyeur 19 vers la tache et appuyez sur la gâchette du pulvérisateur 7 sous la poignée principale 2 afin de mettre du nettoyeur.

- Appliquez le nettoyant sur toute la zone tachée, mais ne saturez pas trop la surface de nettoyage.

ATTENTION : *si trop de nettoyant est appliqué, une mousse excessive peut se produire.*

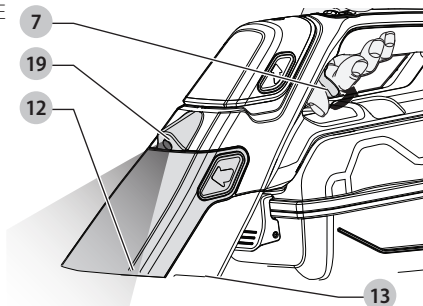
- Frottez la zone tachée avec les brosses de soies **13**.
- Mettez l'aspirateur à la position Marche.
- Aspirez le liquide et la mousse sur la zone tachée en inclinant l'unité à un léger angle et vous assurant que la buse d'aspiration **12** entre en contact avec le liquide et la mousse.

REMARQUE : Tirez la buse d'aspiration **12** vers l'arrière sur la zone afin d'améliorer la succion. Répétez ce processus sur toute la zone tachée.

- Répétez le processus de vaporisation du nettoyant, lavage et aspiration au besoin.
- Une fois la zone nettoyée, laissez-la sécher complètement et s'il reste des taches dans la zone traitée.

REMARQUE : La zone traitée peut paraître encore tachée, mais humide. Veuillez laisser sécher complètement la zone traitée pendant 24 heures. S'il y a encore des taches, répétez le processus de nettoyage des taches.

Fig. E



Nettoyage de Déversements Nouveaux/ Frais (Fig. F)

BHSB320JP seulement

- Mettez l'aspirateur à la position Marche.
- Aspirez le liquide et les solides de la zone du déversement à l'aide de la buse d'aspiration **12**.
- Éteignez l'aspirateur, videz le réservoir de collecte de tout liquide ou solide et vérifiez s'il reste des taches.
- S'il y a une tache, inclinez la buse de pulvérisation du distributeur de nettoyant **19** vers la tache et appuyez sur la gâchette du pulvérisateur **7** sous la poignée principale **2** afin de mettre du nettoyant.
- Appliquez le nettoyant sur toute la zone tachée, mais ne saturez pas trop la surface de nettoyage.

ATTENTION : *si trop de nettoyant est appliqué, une mousse excessive peut se produire.*

- Mettez l'aspirateur à la position Lavage et aspiration **25**.
- En plaçant la face de la brosse à lavage électrique **14** à plat sur la surface, en appuyant modérément vers le bas afin d'engager la brosse dans la surface, déplacez

lentement l'unité vers l'avant et vers l'arrière sur la zone tachée.

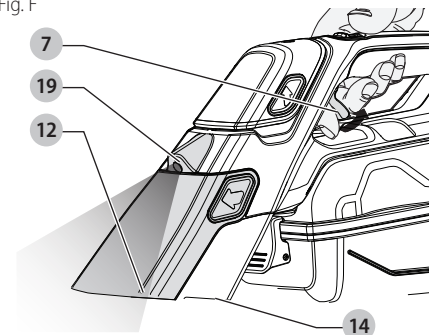
- Passez au mode Aspiration.
- Aspirez le liquide et la mousse sur la zone tachée en inclinant l'unité à un léger angle et vous assurant que la buse d'aspiration **12** entre en contact avec le liquide et la mousse.

REMARQUE : Tirez la buse d'aspiration **12** vers l'arrière sur la zone afin d'améliorer la succion. Répétez ce processus sur toute la zone tachée.

- Répétez le processus de vaporisation du nettoyant, lavage et aspiration au besoin.
- Une fois la zone nettoyée, laissez-la sécher complètement et s'il reste des taches dans la zone traitée.

REMARQUE : La zone traitée peut paraître encore tachée, mais humide. Veuillez laisser sécher complètement la zone traitée pendant 24 heures. S'il y a encore des taches, répétez le processus de nettoyage des taches.

Fig. F



Vider et Nettoyer le Réservoir de Collecte (Fig. G-I)

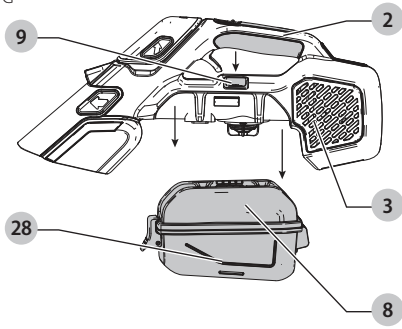
Il y a deux méthodes de nettoyage du réservoir de collecte **8** : une méthode pour vider rapidement les déchets liquides seulement et une méthode de nettoyage en profondeur pour les déchets solides et liquides.

Retirer le réservoir de collecte (Fig. G)

AVERTISSEMENT : *NE PAS tenter de vider le réservoir de collecte **8** lorsqu'il est encore installé sur le corps principal **3**.*

- Lorsque le fluide atteint ligne de remplissage max. **28** (250 ml), éteignez l'aspirateur.
- Glissez le bouton de libération du réservoir de collecte **9** vers la poignée principale **2**.
- Tirez le réservoir de collecte **8** directement vers le bas loin du corps principal **3**.

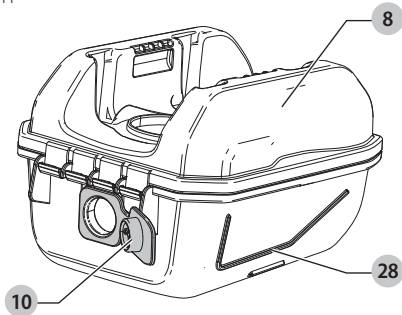
Fig. G



Déchets liquides seulement (Fig. H)

1. Retirez le réservoir de collecte **8** du corps principal **3**.
2. Placez le réservoir de collecte **8** sur une zone de dépôt appropriée.
3. Tirez sur le bouchon du liquide **10** et inclinez le réservoir de collecte **8** pour vider rapidement le contenu liquide.
4. Une fois vidé, remettez le bouchon du liquide **10**.
5. Installez le réservoir de collecte **8** sur le corps principal **3** jusqu'à ce qu'il « clique » solidement en place et poursuivez le nettoyage.
6. Si la tâche de nettoyage est terminée, suivez les instructions d'**Entretien** pour le nettoyage et l'entreposage.

Fig. H



Déchets Solides et Liquides (Fig. I)

⚠ AVERTISSEMENT : *NE PAS tenter de vider le réservoir de collecte **8** lorsqu'il est encore installé sur le corps principal **3**.*

1. Lorsque le fluide atteint ligne de remplissage max. **28** (250 ml), éteignez l'aspirateur.
REMARQUE : Il vaut mieux vider le réservoir de collecte **8** avant que le fluide atteigne la ligne de remplissage max. **28** (250 ml).
2. Retirez le réservoir de collecte **8** du corps principal **3**.
3. Placez le réservoir de collecte **8** sur une zone de dépôt appropriée.
4. En tenant la moitié inférieure du réservoir de collecte, déverrouillez le verrou **11** à l'avant du réservoir de collecte **8**.

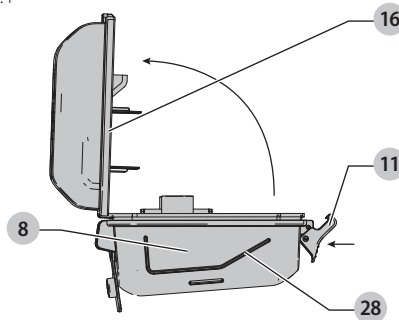
5. Ouvrez le réservoir de collecte **8** et versez le contenu dans une zone de dépôt appropriée.
6. Rincez le réservoir de collecte **8** avec de l'eau pour retirer les débris restants.
7. Fermez le réservoir de collecte **8** et verrouillez les verrous **11** en vous assurant que le réservoir de collecte **8** est bien fermé.
8. Retirez le filtre en mousse **15** et rincez avec de l'eau et laissez sécher. Consultez **Nettoyage du réservoir de collecte** pour des instructions. Une fois qu'il est sec et propre, installez-le en place.

REMARQUE : Le filtre en mousse est réutilisable, ne pas le confondre avec le filtre jetable et ne pas le jeter lorsque vous videz le produit. Nous vous recommandons de remplacer le filtre en mousse tous les 6 à 9 mois selon la fréquence d'utilisation.

REMARQUE : Vérifiez si le préfiltre **16** est exempt d'eau et de débris. Nettoyez au besoin. Consultez **Nettoyage du réservoir de collecte** pour des instructions.

9. Installez le réservoir de collecte **8** sur le corps principal **3** jusqu'à ce qu'il « clique » solidement en place et poursuivez le nettoyage.
10. Si la tâche de nettoyage est terminée, suivez les instructions dans **Entretien** pour le nettoyage et l'entreposage.

Fig. I



IMPORTANT : La collecte maximum de débris sera seulement obtenue avec un filtre propre, un conduit propre et un réservoir de collecte vide. Si des débris commencent à s'échapper du produit après qu'il est arrêté, ceci indique que le réservoir de collecte est plein et qu'il doit être vidé.

- Lavez le filtre en mousse, le conduit et le réservoir de collecte à l'eau tiède savonneuse après l'utilisation et assurez-vous qu'ils sont complètement secs avant de les entreposer.
- Il est très important que le filtre soit installé correctement avant d'utiliser l'appareil.

ENTRETIEN

Utilisez seulement un savon doux et un linge humide pour nettoyer l'aspirateur. Ne jamais laisser de liquide entrer à l'intérieur de l'aspirateur; ne jamais immerger toute partie de l'aspirateur dans un liquide.

⚠ AVERTISSEMENT : *assurez-vous que l'aspirateur est complètement sec avant de l'utiliser.*

IMPORTANT : Afin d'assurer votre SÉCURITÉ et la FIABILITÉ du produit, les réparations, l'entretien et les ajustements (autres que ceux énumérés dans le présent guide) doivent être effectués dans un centre de service BLACK+DECKER ou un centre de service autorisé ou des organisations de service qualifiées, toujours en utilisant des pièces de remplacement identiques.

Retirer et Nettoyer la Brosse à Lavage Électrique (BHSB320JP seulement) (Fig. J-L)

⚠ ATTENTION : Afin de réduire le risque de blessure corporelle, éteignez l'unité avant d'effectuer tout ajustement ou de retirer/installer des pièces ou des accessoires. Un démarrage accidentel peut causer des blessures.

1. Pour retirer la brosse à lavage électrique de la brosse **14**, appuyez sur le bouton de libération **29** comme illustré dans la Fig. J.
2. L'assemblage de la brosse de lavage **30** peut être levé et retiré.
3. Levez la brosse à lavage électrique de la brosse **14** du capot de la brosse à lavage **31**.
4. Nettoyez la brosse à lavage électrique **14** et réassemblez.

REMARQUE : Assurez-vous que l'assemblage de la brosse de lavage **30** a cliqué dans sa position de verrouillage avant d'utiliser.

5. Afin de remettre la brosse à lavage électrique de la brosse **14** dans l'unité, insérez d'abord la brosse à lavage **14** dans le capot de la brosse à lavage **31**, puis remettez l'assemblage de la brosse de lavage **30** dans l'unité.
6. L'assemblage de la brosse de lavage **30** est fixé en place lorsque vous entendez un clic audible et que le capot de la brosse à lavage **31** de l'assemblage de la brosse de lavage **30** est à plat sur la surface de montage.

Fig. J

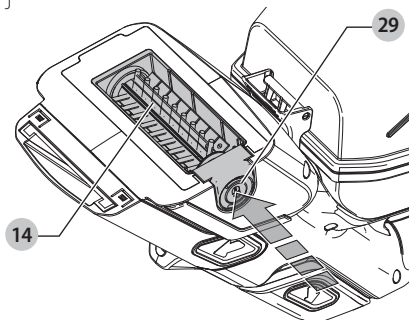


Fig. K

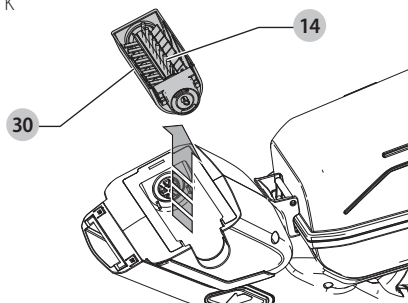
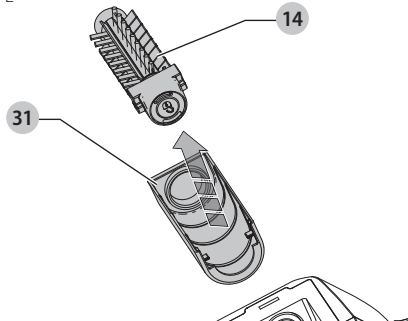


Fig. L



Nettoyage du Réservoir de Collecte (Fig. M)

⚠ ATTENTION : le réservoir de collecte **8** et le préfiltre **16** vont au lave-vaisselle dans le panier supérieur seulement. Il est recommandé de rincer manuellement le réservoir de collecte **8** et le préfiltre **16** avant de les placer dans le panier supérieur du lave-vaisselle.

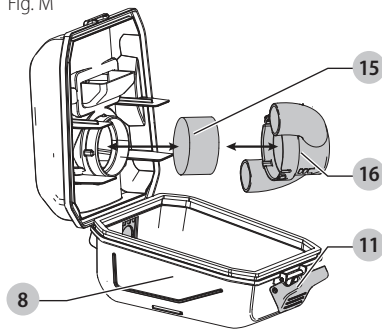
1. Retirez le préfiltre **16** de l'intérieur du réservoir de collecte **8**.
2. Assurez-vous que le filtre en mousse **15** à l'intérieur du préfiltre **16** est encore sec. Rincez et lavez au besoin.
3. Rincez et lavez le préfiltre **16** au besoin.
4. Rincez et lavez le réservoir de collecte **8** au besoin.

REMARQUE : Le réservoir de collecte **8** et le préfiltre **16** vont au lave-vaisselle (panier supérieur seulement).

5. Assurez-vous que tous les composants sont complètement secs avant de les réassembler.
6. Une fois que le nettoyage est terminé, insérez le filtre en mousse **15** dans le préfiltre **16**.
7. Installez le préfiltre **16** dans le réservoir de collecte **8**, fermez et verrouillez le réservoir et remettez-le dans le corps principal **3**.

REMARQUE : Assurez-vous que le préfiltre **16** est complètement scellé au réservoir de collecte **8** en tirant doucement sur le préfiltre **16**. Si le préfiltre **16** est desserré, poussez complètement sur le préfiltre **16** dans le réservoir de collecte **8** jusqu'à ce qu'il clique en place.

Fig. M



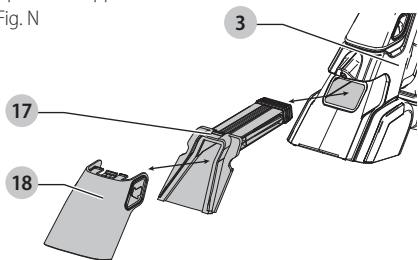
Nettoyage du Conduit et du Couvercle de Buse (Fig. N)

ATTENTION : le couvercle de buse **18** et le conduit **17** vont au lave-vaisselle dans le panier supérieur seulement. Il est recommandé de rincer manuellement le couvercle de buse **18** et le conduit **17** avant de les placer dans le panier supérieur du lave-vaisselle.

1. Retirez le conduit **17** et du couvercle de buse **18** en tirant légèrement le bouton de rétention. Tirez ensuite sur le couvercle de buse **18** loin du corps principal **3**.
2. Le couvercle de buse **18** peut être levé loin du conduit **17** pour rincer et laver chaque composant.
3. Le couvercle de buse **18** et le conduit **17** vont au lave-vaisselle (panier supérieur seulement).
4. Assurez-vous que le conduit **17** et le couvercle de buse **18** sont secs avant de réassembler.
5. Une fois que le nettoyage est terminé, fixez le couvercle de buse **18** sur le conduit **17** et insérez dans l'assemblage à l'avant du corps principal **3**.

6. REMARQUE : Assurez-vous que la pince supérieure du couvercle de buse **18** clique complètement en place sur le conduit **17**. Cela peut nécessiter une force de poussée supplémentaire.

Fig. N



Entreposage (Fig. A, B)

1. Assurez-vous que le corps principal **3** est éteint.
2. Videz le réservoir à liquide de tous les produits chimiques. Lavez avec de l'eau propre tiède et essuyez le réservoir du distributeur de nettoyant **6**, le conduit **17** et le couvercle de buse **18**. Assurez-vous que le réservoir de collecte **8** est vidé et nettoyé afin de réduire l'accumulation de la saleté.
3. Vérifiez si le chargement est nécessaire en appuyant sur le bouton du voyant de l'état de chargement **22** à l'arrière la poignée principale **2**. Si le chargement est nécessaire, branchez le connecteur mâle **21** à la prise de chargement **5** et laissez l'appareil se charger.
4. Entrepochez le corps principal **3** dans un endroit frais et sec.
5. Entrepochez le corps principal **3** avec le réservoir de collecte **8** sur une surface plane et l'interrupteur **1** vers le haut.
6. Entrepochez hors de la portée des enfants ou des animaux domestiques.

DÉPANNAGE

L'appareil ne fonctionne pas, vérifiez les éléments suivants :

- Le chargeur avait été branché pour le chargement. (Il sera légèrement chaud au toucher.)
- Le cordon du chargeur est bien fixé et non endommagé.
- Le chargeur est branché dans une prise de courant.
- L'interrupteur est en position « Arrêt » lors du chargement.

Pour obtenir de l'aide au sujet du produit, visitez notre site Web www.blackanddecker.com pour la localisation du centre de service le plus près de chez vous ou utilisez la ligne d'aide de BLACK+DECKER **1-800-544-6986**.

ACCESSOIRES

Les accessoires recommandés pour utilisation avec votre appareil sont disponibles chez votre détaillant local ou dans un centre de services autorisé. Si vous avez besoin d'aide concernant les accessoires, veuillez appeler au :

1-800-544-6986.

AVERTISSEMENT : l'utilisation de tout accessoire non conçu pour cet appareil pourrait être dangereuse.

RENSEIGNEMENTS DE SERVICE

Le personnel de tous les centres de service BLACK+DECKER a été formé pour offrir à la clientèle un service efficace et fiable de service des outils que nous fabriquons. Que vous ayez besoin d'un avis, de réparation, ou de pièce de remplacement d'origine, contactez la succursale BLACK+DECKER de votre localité. Pour localiser votre service local, appelez : **1-800-544-6986** ou visitez www.blackanddecker.com

GARANTIE LIMITÉE DE DEUX ANS

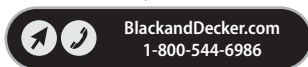
Black & Decker (É.-U.) Inc. garantit que le produit est exempt de défauts de matériau et de fabrication pendant deux(2) ans à partir de la date d'achat, à condition que le produit soit utilisé en milieu domestique. La présente garantie limitée ne couvre pas les défaillances provoquées par un abus, un dommage accidentel ou des réparations ou tentatives de réparations effectuées par toute autre personne que le personnel de BLACK+DECKER et de ses centres de réparation agréés. Un produit défectueux qui remplit les conditions stipulées par la présente garantie sera remplacé ou réparé sans frais d'une des deux façons suivantes :

La première façon consiste en un échange chez le détaillant où le produit a été acheté (à la condition que le magasin soit un détaillant participant). Tout retour doit se faire durant la période correspondant à la politique d'échange du détaillant. Une preuve d'achat peut être requise. Prière de vérifier la politique de retour du détaillant au sujet des délais impartis pour les retours ou les échanges.

La deuxième option est d'apporter ou d'envoyer le produit (en port payé) à un centre de réparation agréé ou à un centre de réparation BLACK+DECKER pour faire réparer ou échanger le produit, à la discrétion de BLACK+DECKER. Une preuve d'achat peut être requise. Les centres de réparation de BLACK+DECKER et les centres de réparation ou en ligne sur www.blackanddecker.com.

Cette garantie ne s'applique pas aux accessoires. Cette garantie accorde des droits légaux propres au propriétaire de l'outil. Ce dernier pourrait avoir d'autres droits selon l'État ou la province qu'il habite. Pour toute question, communiquer avec le directeur du centre de réparation BLACK+DECKER le plus près. Ce produit n'est pas destiné à un usage commercial. L'usage commercial de ce produit annule par conséquent cette garantie. Toutes autres garanties, expresses ou implicites, sont déclinées par la présente.

Importé par Black & Decker (U.S.) Inc.,
701 E. Joppa Rd.
Towson, MD 21286



Definiciones: Símbolos y palabras de alerta de seguridad

Este manual de instrucciones utiliza los siguientes símbolos y palabras de alerta de seguridad para alertarle de situaciones peligrosas y del riesgo de lesiones corporales o daños materiales.

⚠ PELIGRO: Indica una situación de peligro inminente que, si no se evita, provocará **la muerte o lesiones graves**.

⚠ ADVERTENCIA: Indica una situación de peligro potencial que, si no se evita, **podría provocar la muerte o lesiones graves**.

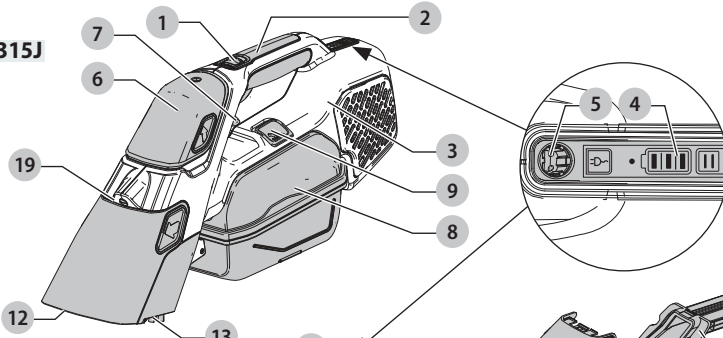
⚠ ATENCIÓN: Indica una situación de peligro potencial que, si no se evita, **posiblemente provocaría lesiones leves o moderadas**.

⚠ (Utilizado sin palabras) indica un mensaje de seguridad relacionado.

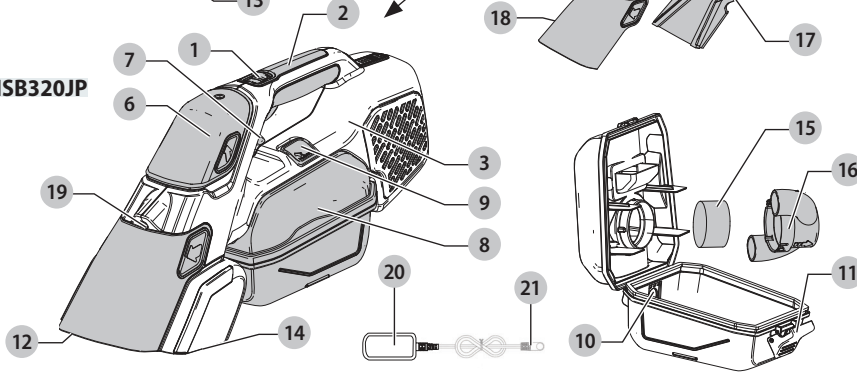
AVISO: Se refiere a una práctica **no relacionada a lesiones corporales** que de no evitarse **puede resultar en daños a la propiedad**.

Fig. A

BHSB315J



BHSB320JP



- | | |
|--|--|
| 1 Interruptor | 12 Boquilla de aspiración |
| 2 Manija principal | 13 Cepillos de cerdas |
| 3 Cuerpo principal | 14 Cepillo de tallado eléctrico (Sólo BHSB320JP) |
| 4 LEDs de estado de carga | 15 Filtro de espuma |
| 5 Enchufe de carga | 16 Prefiltro |
| 6 Tanque dispensador de fórmula | 17 Tolva |
| 7 Gatillo de rocío | 18 Cubierta de boquilla |
| 8 Tanque de recolección | 19 Boquilla de rocío |
| 9 Botón de liberación de tanque de recolección | 20 Cargador |
| 10 Tapón de líquido | 21 Conector |
| 11 Seguro | |

⚠ ¡ADVERTENCIA! Lea todas las advertencias de seguridad e instrucciones. El incumplimiento de las advertencias e instrucciones puede provocar descargas eléctricas, incendios o lesiones graves.

⚠ ADVERTENCIA: Para reducir el riesgo de lesiones, lea el manual de instrucciones.

INSTRUCCIONES DE SEGURIDAD IMPORTANTES

Cuando use aparatos eléctricos, siempre se deben seguir las precauciones básicas, incluyendo las siguientes:

LEA TODAS LAS INSTRUCCIONES ANTES DE USAR ESTE APARATO.

⚠ ADVERTENCIA: Lea todas las advertencias de seguridad y todas las instrucciones. La falla en seguir las advertencias e instrucciones indicadas a continuación puede resultar en descarga eléctrica, incendio y/o lesiones serias.

⚠ ADVERTENCIA: Algunos polvos domésticos contienen químicos conocidos por el Estado de California que causan cáncer, y defectos de nacimiento u otros daños reproductivos tales como asbesto y plomo en pintura a base de plomo.

⚠ ADVERTENCIA: Para reducir el riesgo de incendios, descarga eléctrica, o lesiones:

- No permita que se use como un juguete. Se necesita poner atención cuando sea usado por o cerca de niños.
- Sólo use como se describe en este manual. Sólo use conexiones recomendadas por el fabricante.
- No use con el cable o enchufe dañado. Si el aparato no funciona como debería, se ha dejado caer, se dañó, se dejó en exteriores, o se dejó caer en agua, regréselo a un centro de servicio.
- No jale o transporte por el cable, no use el cable como manija, cierre una puerta sobre el cable, o jale el cable alrededor de bordes o esquinas filosas. No opere el aparato sobre el cable. Mantenga el cable lejos de superficies calientes.
- No desconecte jalando del cable. Para desconectar, sujete el enchufe, no el cable.
- No maneje el cargador, incluyendo el enchufe del cargador, y las terminales del cargador con las manos húmedas.
- No coloque ningún objeto en las aberturas. No lo use con ninguna abertura bloqueada; manténgalo libre de polvo, pelusa, cabello y cualquier cosa que pueda reducir el flujo de aire.
- Mantenga el cabello, ropa suelta, y todas las partes del cuerpo alejados de las aberturas y partes móviles.
- Tenga cuidado adicional cuando limpie en escaleras.
- No la use para recoger líquidos inflamables o combustibles, tales como gasolina, o la use en áreas donde puedan estar presentes.
- No recoja nada que esté encendido o humeando, tal como cigarrillos, cerillos, o cenizas calientes.
- No lo use sin bolsa para polvo y/o filtros en su lugar.
- No cargue la unidad en exteriores.
- Sólo use el cargador suministrado por el fabricante para recargar.
- No incinere el aparato incluso si está dañado severamente. Las baterías pueden explotar en el fuego.
- Este aparato está diseñado para uso doméstico únicamente y no para uso comercial o industrial.
- Riesgo de descarga eléctrica. Para protegerse contra riesgo de descarga eléctrica, no coloque la unidad o base de carga en agua u otro líquido.
- No permita que el cable cuelgue sobre el borde de una mesa o mostrador o toque superficies calientes. La unidad se debe colocar o montar lejos de tarjas y superficies calientes.
- Conecte el cargador directamente en un tomacorriente eléctrico.
- Use el cargador únicamente en un tomacorriente eléctrico estándar (120V/60Hz).
- Desconecte el cargador del tomacorriente antes de cualquier limpieza o mantenimiento de rutina.
- No vea dentro de las ventilas de aire cuando la unidad esté encendida, ya que existe una posibilidad de que se descarguen desechos pequeños de las ventilas de aire, en especial después de la limpieza / reemplazo del filtro ya que el desecho dentro de la unidad se puede mover.
- Pueden ocurrir fugas de las celdas de la batería bajo condiciones extremas. Si el líquido, que es una solución de 20-35% de hidróxido de potasio, tiene contacto con la piel (1) lave rápidamente con agua y jabón o (2) neutralice con un ácido suave tal como jugo de limón o vinagre. Si el líquido entra en los ojos, lávelos de inmediato con agua limpia por un mínimo de 10 minutos. Busque atención médica.

ADVERTENCIAS DE SEGURIDAD ADICIONALES

- a) **No recoja materiales tóxicos (blanqueador con cloro, amoníaco, limpiador de drenaje, pesticidas, insecticidas, etc).**
- b) **Evite el arranque no intencional. Asegure que el interruptor esté en la posición apagada antes de recoger o transportar el aparato.** Transportar el aparato con su dedo en el interruptor o energizar el aparato que tenga el interruptor encendido puede provocar accidentes.
- c) **Sólo recargue con el cargador especificado por el fabricante.** Un cargador que es adecuado para un tipo de paquete de batería puede crear un riesgo de incendio cuando se use con otro tipo de batería.

- d) **No use un paquete de batería que esté dañado o modificado.** Las baterías dañadas o modificadas pueden presentar comportamiento imprevisto que resulte en incendio, explosión o riesgo de lesiones.
- e) **No exponga un paquete de batería o aparato a fuego o temperatura excesiva.** La exposición a fuego o temperatura mayor a 266°F (130°C) puede causar una explosión.
- f) **Pida que el servicio sea realizado por una persona de reparación calificada usando únicamente partes de reemplazo idénticas.** Esto garantizará que se mantenga la seguridad del producto.
- g) **Sólo use con cargadores S003AQU1500015 y S010QU1400040.**
- h) **Siga todas las instrucciones de carga y no cargue el paquete de batería o el aparato fuera del rango de temperatura especificado en las instrucciones.** Cargar inadecuadamente o en una temperatura fuera del rango especificado puede dañar la batería e incrementar el riesgo de incendio.
- i) **Bajo condiciones abusivas, el líquido puede ser expulsado de la batería; evite el contacto. Si ocurre contacto accidentalmente, lave con agua. Si el líquido hace contacto con los ojos, busque ayuda médica adicional.** El líquido expulsado de la batería puede causar irritación o quemaduras.
- j) **Siga todas las instrucciones de carga y no cargue el paquete de batería o el aparato fuera del rango de temperatura especificado en las instrucciones.** Cargar inadecuadamente o en una temperatura fuera del rango especificado puede dañar la batería e incrementar el riesgo de incendio.
- k) **No modifique ni intente reparar el aparato, excepto como se indica en las instrucciones de uso y cuidado.**
- l) **No almacene o use este producto en temperaturas ambiente menores a 4 °C (39 °F) o mayores a 40 °C (104 °F).**

- Construcción de clase II
- ⚠ símbolo de alerta
- .../minrevoluciones o minuto seguridad
- Wh..... Watt Horas

Uso pretendido

Su aspiradora BLACK+DECKER ha sido diseñada para aspirar derrames cotidianos de desórdenes húmedos y voluminosos. Este aparato está diseñado para uso doméstico únicamente.

ENSAMBLE

⚠ ADVERTENCIA: No intente modificar o reparar el aparato

Carga de la batería (Fig. B)

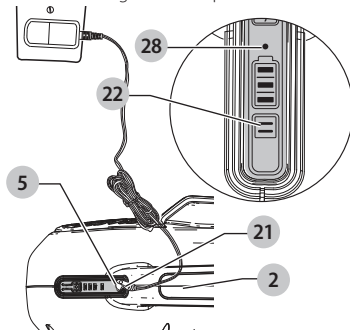
⚠ ADVERTENCIA: Sólo para uso con el cargador incluido.

⚠ ADVERTENCIA: No cargue la batería a temperaturas ambiente inferiores 4 °C (39 °F) o superiores a 40 °C (104 °F).

Cuando es nuevo, las celdas recargables del producto necesitan un tiempo de carga mínima de 10 horas para BHSB315J y 13 horas para BHSB320JP para asegurar la energía completa.

1. El interruptor debe estar en la posición OFF, el aparato no cambiará si está en cualquier otra posición.
2. **Fig. B** - Conecte el enchufe **21** del cargador en el enchufe de carga **5** de la herramienta.
3. Conecte el cargador en cualquier tomacorriente de 120 Volts 60 Hz estándar.
4. El LED de indicador de carga **28** en la parte trasera de la manija principal **2** se iluminará mientras carga.
5. El LED de indicador de carga **28** se apagará hasta que termine la carga.
6. **NOTA:** Mientras carga, el cargador se puede calentar, esto es perfectamente normal y seguro. Es seguro dejar el aparato conectado al cargador de forma indefinida. El cargador reduce automáticamente el consumo de energía cuando la carga está completa.

Fig. B



CONSERVE ESTAS INSTRUCCIONES

SÍMBOLOS

La etiqueta de su herramienta puede incluir los siguientes símbolos. Los símbolos y sus definiciones son los siguientes:

- V..... voltios
- A..... amperios
- Hz..... hertz
- W..... vatios
- min..... minutos
- ~ o AC..... corriente alterna
- == o DC..... corriente directa
- n_o..... no velocidad sin carga
- ⚠..... Construcción Clase I
- ⊕..... terminal a tierra (mis à la terre)

⚠ ADVERTENCIA: No cargue la batería en temperaturas ambiente menores a 39°F (4°C) o mayores a 104°F (40°C).

Indicador de estado de carga (Fig. B)

Este aparato incluye un indicador de estado de carga **4** que consiste en tres luces LED que indican el nivel de carga restante en la batería.

Para verificar el estado de carga, presione el botón de estado de carga **22**.

El indicador de estado de carga es una indicación de los niveles aproximados de carga restantes en el paquete de batería:

NOTA: El indicador de estado de carga sólo es una indicación de la carga que queda en la batería. No indica la funcionalidad de la herramienta y está sujeto a variación en base a los componentes del producto, la temperatura y la aplicación del usuario final.

OPERACIÓN (Fig. A)

⚠ ADVERTENCIA: PARA REDUCIR EL RIESGO DE DESCARGA ELÉCTRICA, USE EN INTERIORES ÚNICAMENTE.

⚠ ADVERTENCIA: Para reducir el riesgo de lesiones personales, apague la unidad antes de realizar cualquier ajuste o retirar/instalar conexiones o accesorios. Un arranque accidental puede causar lesiones.

⚠ ADVERTENCIA: Peligro de Proyectil/Respiratorio: Nunca use la aspiradora sin su filtro de espuma **15**.

ENCENDIDO y APAGADO (Fig. A, C)

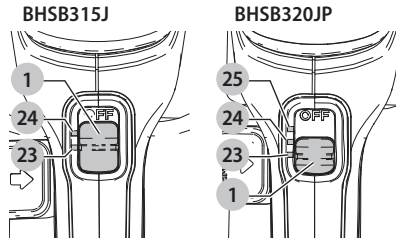
BHSB315J

1. Para encender la aspiradora, deslice el interruptor **1** hacia el frente a la posición ON (encendido) **24**.
2. Para detener la aspiradora, regrese el interruptor a la posición OFF (apagado) **23**.
3. Regrese el producto al cargador de inmediato después de cada uso de forma que esté listo y completamente cargado para el siguiente uso. Asegúrese que el producto esté completamente conectado con el enchufe del cargador.

BHSB320JP

1. Para encender la aspiradora, deslice el interruptor **1** hacia el frente a la posición ON (encendido) **24**.
2. Para encender el cepillo de cerdas eléctrico **14**, deslice el interruptor **1** hacia el frente a la posición ON (encendido) **25**.
3. Para detener la aspiradora, regrese el interruptor a la posición OFF (apagado) **23**.
4. Conecte el enchufe **21** del cargador en el enchufe de carga **5** de la herramienta inmediatamente después del uso de forma que esté listo y completamente cargado

para el siguiente uso. Asegúrese que el producto esté completamente conectado con el enchufe del cargador. Fig. C



Aspirado de Derrames Secos y Húmedos (Fig. A)

Recolección de desorden húmedo y voluminoso

⚠ ATENCIÓN: Haga movimientos lentos y controlados. Hacer movimientos rápidos hacia adelante y hacia atrás puede hacer que el líquido se derrame dentro del escape. Si el fluido pasa a través del escape, deje de usarlo y vacíe el tanque de recolección. Consulte **Limpieza del tanque de recolección** respecto a instrucciones.

Esta aspiradora se puede utilizar para recoger derrames húmedos y voluminosos cotidianos.

1. Para obtener mejores resultados al aspirar derrames húmedos y voluminosos, sostenga la aspiradora en un ángulo de 45° y jálela hacia usted.
2. Si hay algún líquido en el tanque de recolección, no voltee la unidad, de lado, apunte la boquilla de aspiración **12** hacia arriba ni agite la aspiradora en exceso.
3. Después de recoger sustancias líquidas, limpie la aspiradora y el tanque de recolección inmediatamente. Se pueden formar moho y hongos si la unidad no se limpia correctamente después de recolecciones húmedas.

Superficies duras y alfombradas

BHSB315J y BHSB320JP

Solo modo de aspirado

1. Cambie la aspiradora a la posición ON.
2. Coloque la boquilla de aspiración **12** en ángulo hacia abajo justo pasando el borde del derrame, jale la boquilla de aspiración **12** hacia atrás y a través del derrame.
3. Pueden ser necesarias varias pasadas dependiendo del tipo de superficie y el tamaño del derrame que se limpia.

Modo de tallado y aspirado (sólo BHSB315J)

1. Cambie la aspiradora a la posición ON.
2. Haga un movimiento hacia adelante sobre el área que necesita ser limpiada. La aspiración se optimiza con la punta ligeramente inclinada hacia la boquilla de aspiración **12** en el área que se limpia.

- Haga un movimiento hacia atrás sobre el área que necesita ser limpiada. La aspiración se optimiza con la boquilla de aspiración **12** presionada firmemente en la alfombra o contra la superficie que se está limpiando, en un ángulo ligeramente más pronunciado que el movimiento hacia adelante.
- Pueden ser necesarias varias pasadas dependiendo del tipo de superficie y el tamaño del derrame que se limpia.
- Si todavía hay una mancha, consulte Instrucciones de **limpieza de manchas**.

Modo de tallado y aspirado (sólo BHSB320JP)

- Cambie la aspiradora a la posición de tallado y aspiración **25**. El cepillo de tallado eléctrico **14** se activará.
- Haga un movimiento hacia adelante sobre el área que necesita ser limpiada. La aspiración se optimiza con la punta ligeramente inclinada hacia la boquilla de aspiración **12** en el área que se limpia.
- Haga un movimiento hacia atrás sobre el área que necesita ser limpiada. La aspiración se optimiza con la boquilla de aspiración **12** presionada firmemente en la alfombra o contra la superficie que se está limpiando, en un ángulo ligeramente más pronunciado que el movimiento hacia adelante.
- Pueden ser necesarias varias pasadas dependiendo del tipo de superficie y el tamaño del derrame que se limpia.
- Si todavía hay una mancha, consulte Instrucciones de **limpieza de manchas**.

Limpieza de manchas (Fig. D)

⚠ ATENCIÓN: Use sólo con Fórmulas de máquina portátil para limpiar alfombras en esta aspiradora, por ejemplo, *Resolve® Portable Machine Formula*. Están especialmente formulados para usar con sus limpiadores de alfombras portátiles. El uso de fórmulas de limpieza que contengan limón, aceite de pino o vinagre puede dañar este aparato y anular la garantía. Tampoco se deben usar limpiadores de manchas químicos ni quitamanchas a base de solvente. Estos productos pueden reaccionar con los materiales plásticos utilizados en su aspiradora, causando grietas o picaduras.

⚠ ATENCIÓN: No frote excesivamente las alfombras y tapetes. Conforme sea necesaria, pruebe el tallado en un área discreta para asegurarse que la alfombra o tapete no se dañe.

⚠ ATENCIÓN: Cuando utilice químicos de limpieza en alfombras y tapetes por primera vez, pruebe en un área poco visible si le preocupa que la limpieza manche el tapete o la alfombra.

⚠ ATENCIÓN: Después de cada uso, retire y limpie el conducto **17** y la cubierta de la boquilla **18**

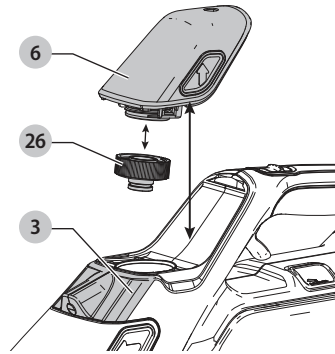
con agua tibia y un jabón para vajillas suave y permita que sequen. Consulte la sección **Limpieza de conducto y cubierta de boquilla**.

Llenado de dispensador de fórmula

- Retire el tanque dispensador de fórmula **6** jalando hacia arriba y lejos del cuerpo principal **3**.
- Sostenga el tanque dispensador de fórmula **6** sobre un fregadero u otra área apropiada, desenrosque la tapa **26** y llene con una solución de limpieza adecuada, hasta 4 oz. **NOTA:** Siga las instrucciones del fabricante de la fórmula limpiadora de alfombras portátil adecuada para un uso adecuado.
- Vuelva a colocar la tapa **26** en el tanque dispensador de fórmula **6**.

- Inserte el tanque dispensador de fórmula **6** en el cuerpo principal **3**. Se escuchará un clic que indica que el tanque está asegurado en su posición.

NOTA: Para garantizar que el tanque dispensador de fórmula **6** esté completamente asentado, asegúrese que no haya espacios en las costuras entre el tanque dispensador **6** y el cuerpo principal **3**. El tanque dispensador de fórmula puede tener fugas si hay huecos presentes.
Fig. D



Limpieza de derrames nuevos/frescos (Fig. E)

Sólo BHSB315J

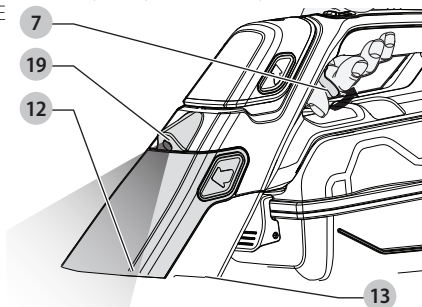
- Cambie la aspiradora a la posición ON.
- Aspire el líquido y los sólidos del área del derrame utilizando la boquilla de aspirado **12**.
- Apague la aspiradora, vacíe el tanque de recolección de líquidos o sólidos y busque respecto a manchas restantes.
- Si hay una mancha, incline la boquilla de rocío del dispensador de fórmula **19** hacia la mancha y jale el gatillo de rocío **7** debajo de la manija principal **2** para dispensar la solución de limpieza.
- Aplique solución de limpieza en toda el área manchada, pero no sature demasiado la superficie de limpieza.

⚠ ATENCIÓN: Si se aplica demasiada solución de limpieza, puede producirse espuma excesiva.

- Talle el área manchada con los cepillos de cerdas **13**.

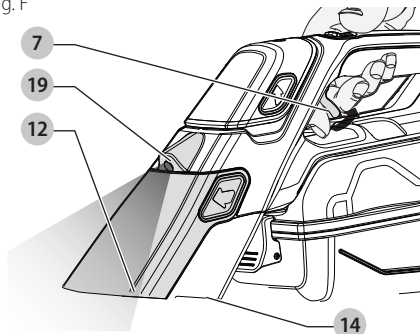
- Cambie la aspiradora a la posición ON.
- Aspire el líquido y la espuma en el área manchada inclinando la unidad en un ángulo leve y asegurándose que la boquilla de aspiración **12** haga contacto con el líquido y la espuma.
NOTA: Jale de la boquilla de aspiración **12** hacia atrás sobre el área para mejorar la succión. Repita este proceso en toda el área manchada.
- Repita el proceso de solución de rociado, tallado y aspirado conforme sea necesario.
- Una vez que se haya limpiado el área, deje que se seque por completo y revise el área tratada para ver si hay manchas restantes.
NOTA: El área tratada aún puede parecer manchada mientras está húmeda. Permita que el área tratada se seque por completo durante 24 horas. Si aún está manchada, repita el proceso de limpieza de manchas.

Fig. E



- Aspire el líquido y la espuma en el área manchada inclinando la unidad en un ángulo leve y asegurándose que la boquilla de aspiración **12** haga contacto con el líquido y la espuma.
NOTA: Jale de la boquilla de aspiración **12** hacia atrás sobre el área para mejorar la succión. Repita este proceso en toda el área manchada.
- Repita el proceso de solución de rociado, tallado y aspirado conforme sea necesario.
- Una vez que se haya limpiado el área, deje que se seque por completo y revise el área tratada para ver si hay manchas restantes.
NOTA: El área tratada aún puede parecer manchada mientras está húmeda. Permita que el área tratada se seque por completo durante 24 horas. Si aún está manchada, repita el proceso de limpieza de manchas.

Fig. F



Limpeza de derrames nuevos/frescos (Fig. F)

Sólo BHSB320JP

- Cambie la aspiradora a la posición ON.
- Aspire el líquido y los sólidos del área del derrame utilizando la boquilla de aspirado **12**.
- Apague la aspiradora, vacíe el tanque de recolección de cualquier líquido o sólido y busque cualquier mancha restante.
- Si hay una mancha, incline la boquilla de rocío del dispensador de fórmula **19** hacia la mancha y jale el gatillo de rocío **7** debajo de la manija principal **2** para dispensar la solución de limpieza.
- Aplique solución de limpieza en toda el área manchada, pero no sature demasiado la superficie de limpieza.

⚠ ATENCIÓN: Si se aplica demasiada solución de limpieza, puede producirse espuma excesiva.

- Cambie la aspiradora a la posición de tallado y aspirado **25**.
- Colocar la cara del cepillo de tallado eléctrico **14** plana sobre la superficie, presionando moderadamente hacia abajo para colocar el cepillo en la superficie, mueva lentamente la unidad hacia adelante y hacia atrás sobre el área manchada.
- Cambie al modo de aspirado.

Vaciado y limpieza del tanque de recolección (Fig. G-I)

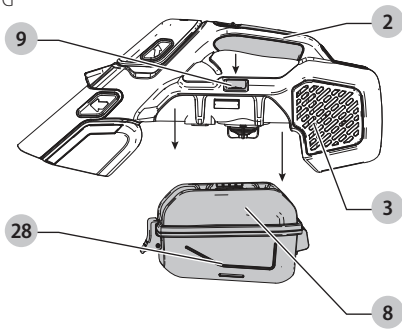
Existen dos métodos para limpiar el tanque de recolección **8**, un método de vaciado rápido para desechos líquidos solamente y un método de limpieza a fondo para desechos sólidos y líquidos.

Retiro de tanque de recolección (Fig. G)

⚠ ADVERTENCIA: NO intente vaciar los desechos en el tanque de recolección **8** cuando todavía esté instalado en el cuerpo principal **3**.

- Cuando el líquido alcanza la línea de llenado máximo **28** (250 ml), apague la aspiradora.
- Deslice el botón de liberación del tanque de recolección **9** hacia la manija principal **2**.
- Jale el tanque de recolección **8** hacia abajo y lejos del cuerpo principal **3**.

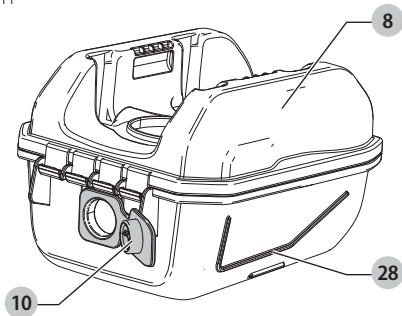
Fig. G



Desperdicios líquidos solamente (Fig. H)

1. Retire el tanque de recolección **8** del cuerpo principal **3**.
2. Coloque el tanque de recolección **8** sobre un área de eliminación adecuada.
3. Jale el tapón de líquido **10** e incline el tanque de recolección **8** para drenar rápidamente el contenido líquido.
4. Una vez drenado, reinstale el tapón de líquido **10**.
5. Instale el tanque de recolección **8** en el cuerpo principal **3** hasta que haga "clic" firmemente en su posición y reanude la limpieza.
6. Si la tarea de limpieza está completa, siga las instrucciones de **Mantenimiento** para la limpieza y el almacenamiento.

Fig. H



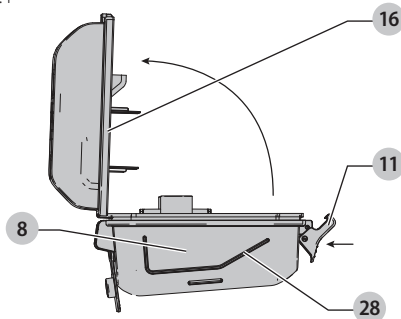
Desperdicios Sólidos y Líquidos (Fig. I)

⚠ ADVERTENCIA: *NO intente vaciar los desechos en el tanque de recolección **8** cuando todavía esté instalado en el cuerpo principal **3**.*

1. Cuando el líquido alcanza la línea de llenado máximo **28** (250 ml)), apague la aspiradora.
NOTA: Es mejor vaciar el tanque de recolección **8** antes que el líquido alcance la línea de llenado máximo **28** (250 ml).
2. Retire el tanque de recolección **8** del cuerpo principal **3**.
3. Coloque el tanque de recolección **8** sobre un área de eliminación adecuada.

4. Mientras sostiene la mitad inferior del tanque de recolección, desbloquee el seguro **11** en la parte delantera del tanque de recolección **8**.
5. Abra el tanque de recolección **8** y vierta el contenido en un área de eliminación adecuada.
6. Enjuague el tanque de recolección **8** con agua para eliminar los restos sobrantes.
7. Cierre el tanque de recolección **8** y bloquee el seguro **11**, asegurándose que el tanque de recolección **8** esté sellado correctamente.
8. Retire el filtro de espuma **15** y enjuague con agua y deje secar. Consulte **Limpieza del tanque de recolección** respecto a instrucciones. Una vez seco y limpio, instálelo en su lugar.
NOTA: El filtro de espuma es reutilizable, no lo confunda con un filtro desechable, y no lo tire cuando se vacíe el producto. Le recomendamos que reemplace el filtro de espuma cada 6-9 meses según la frecuencia de uso.
NOTA: Verifique que el prefiltro **16** no tenga agua ni residuos. Limpie si es necesario. Consulte **Limpieza del tanque de recolección** respecto a instrucciones.
9. Instale el tanque de recolección **8** en el cuerpo principal **3** hasta que haga "clic" firmemente en su posición y reanude la limpieza.
10. Si la tarea de limpieza está completa, siga las instrucciones de **Mantenimiento** para la limpieza y el almacenamiento.

Fig. I



IMPORTANTE: La recolección máxima de desechos sólo se obtendrá con un filtro limpio, una tova limpia y un tanque de recolección vacío. Si los desechos comienzan a caer del producto después de apagarlo, esto indica que el tanque de recolección está lleno y requiere vaciado.

- Lave el filtro de espuma, la tova y el tanque de recolección con agua jabonosa tibia después del uso y asegúrese que esté completamente seco antes del almacenamiento.
- Es muy importante que el filtro esté correctamente en posición antes del uso.

MANTENIMIENTO

Use sólo jabón suave y una tela húmeda para limpiar la aspiradora. Nunca permita que entre líquido a la aspiradora; nunca sumerja ninguna parte de la aspiradora en líquido.

⚠ ADVERTENCIA: Asegúrese que la aspiradora esté completamente seca antes de usarla.

IMPORTANTE: Para garantizar la SEGURIDAD y CONFIABILIDAD del producto, las reparaciones, mantenimiento y ajuste (diferentes a las indicadas en este manual) sólo deben realizar por centros de servicio autorizados u otras organizaciones de servicio calificado, utilizando siempre partes de reemplazo idénticas.

Desinstalación y Limpieza del Cepillo de Tallado Eléctrico (Sólo BHSB320JP) (Fig. J-L)

⚠ ATENCIÓN: Para reducir el riesgo de lesiones personales, apague la unidad antes de hacer cualquier ajuste o quitar/instalar conexiones o accesorios. Un arranque accidental puede causar lesiones.

1. Para retirar el cepillo de tallado eléctrico **14**, presione el botón de liberación **29** como se muestra en la Fig. J.
2. El ensamble del cepillo de tallado **30** ahora se puede levantar y quitar.
3. Levante el cepillo de tallado eléctrico **14** de la cubierta del cepillo de tallado **31**.
4. Limpie el cepillo de tallado eléctrico **14** y vuelva a armar. **NOTA:** Asegúrese que el ensamble del cepillo de tallado **30** esté conectado en su posición bloqueada antes de operar.
5. Para volver a insertar el cepillo de tallado eléctrico **14** en la unidad, primero inserte el cepillo de tallado **14** en la cubierta del cepillo de tallado **31**, después instale el ensamble del cepillo de tallado **30** nuevamente en la unidad.
6. El ensamble del cepillo de tallado **30** está asegurado en su lugar cuando escucha un clic audible y la cubierta del cepillo de tallado **31** del ensamble del cepillo de tallado **30** está plana con la superficie de montaje.

Fig. J

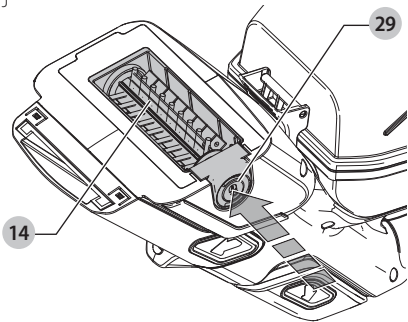


Fig. K

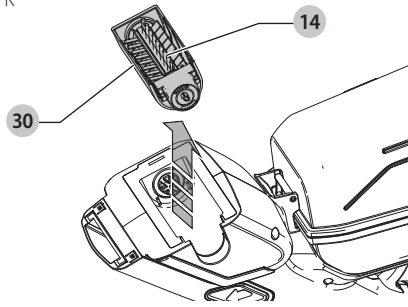
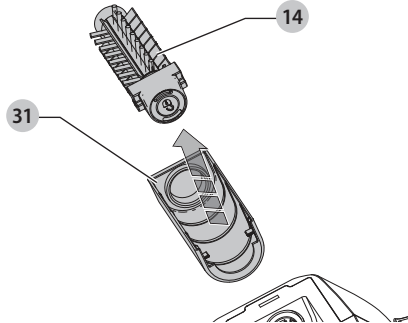


Fig. L



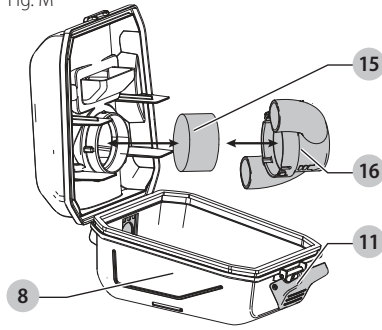
Limpieza de Tanque de Recolección (Fig. M)

⚠ ATENCIÓN: El tanque de recolección **8** y el prefiltro **16** sólo son aptos para la rejilla superior del lavavajillas. Se recomienda que enjuague manualmente el tanque de recolección **8** y el prefiltro **16** antes de colocarlos en la rejilla superior del lavavajillas.

1. Extraiga el prefiltro **16** del interior del tanque de recolección **8**. **NOTA:** El prefiltro **16** puede requerir una fuerza para jalar adicional cuando se retira del tanque de recolección **8**.
2. Asegúrese que el filtro de espuma **15** dentro del prefiltro **16** aún esté seco. Enjuague y lave conforme sea necesario.
3. Enjuague y lave el prefiltro (16) conforme sea necesario.
4. Enjuague y lave el tanque de recolección **8** conforme sea necesario. **NOTA:** El tanque de recolección **8** y el prefiltro **16** son aptos para lavavajillas (sólo en la rejilla superior).
5. Asegúrese que todos los componentes estén completamente secos antes de volver a armar.
6. Una vez finalizada la limpieza, inserte el filtro de espuma **15** en el prefiltro **16**.
7. Instale el prefiltro **16** en el tanque de recolección **8**, cierre y asegure el tanque e instálelo nuevamente en el cuerpo principal **3**. **NOTA:** Asegúrese que el prefiltro (16) esté completamente sellado al tanque de recolección **8** jalando suavemente del prefiltro **16**. Si el prefiltro **16** está flojo, presione completamente el prefiltro **16**

en el tanque de recolección **8** hasta que se conecte en su lugar.

Fig. M



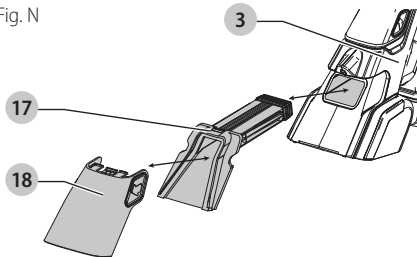
Limpieza de Tolva y Cubierta de Boquilla (Fig. N)

⚠ ATENCIÓN: La cubierta de la boquilla **18** y la tolva **17** son sólo aptos para la rejilla superior del lavavajillas. Se recomienda que enjuague manualmente la cubierta de la boquilla **18** y la tolva **17** antes de colocarlos en la rejilla superior del lavavajillas.

1. Retire la tova **17** y la cubierta de la boquilla **18** jalando ligeramente del botón de retención. Luego jale la cubierta de la boquilla **18** lejos del cuerpo principal **3**.
2. La cubierta de la boquilla **18** se puede levantar de la tolva **17** para enjuagar y lavar cada componente.
3. La cubierta de la boquilla **18** y la tolva **17** son aptos para lavavajillas (sólo en la rejilla superior).
4. Asegúrese que la tolva **17** y la cubierta de la boquilla **18** estén secos antes de volver a armar.
5. Una vez finalizada la limpieza, coloque la cubierta de la boquilla **18** en la tolva **17** e insértela en el ensamblaje en la parte delantera del cuerpo principal **3**.

NOTA: Asegúrese que el sujetador superior de la tapa de la boquilla **18** se conecte completamente en la tolva **17**. Esto puede requerir una fuerza de empuje adicional.

Fig. N



Almacenamiento (Fig. A, B)

1. Asegúrese que el cuerpo principal **3** esté APAGADO.
2. Vacíe el tanque de fluido de todos los químicos. Lave con agua limpia tibia y seque el tanque de dispensador de fórmula **6**, el conductor **17** y la cubierta de la boquilla **18**. Asegúrese de vaciar y limpiar el tanque de recolección **8** para reducir la acumulación de suciedad.

3. Verifique si se requiere cargar presionando el botón indicador de estado de carga **22** en la parte posterior de la manija principal **2**. Si se requiere cargar, conecte el enchufe **21** al enchufe de carga **5** y permita que el aparato se cargue.
4. Almacene el cuerpo principal **3** en un área fresca y seca.
5. Almacene el cuerpo principal **3** con el tanque de recolección **8** en una superficie plana y nivelada **1** hacia arriba.
6. Almacene fuera del alcance de niños o mascotas.

SOLUCIÓN DE PROBLEMAS

Si el producto no funciona, revise lo siguiente:

- El cargador se conectó correctamente para recarga. (Se siente ligeramente caliente al tacto.)
- El cable del cargador no está dañado y está conectado correctamente.
- El cargador está conectado en un tomacorriente eléctrico que funciona.
- El interruptor está en la posición "OFF" (apagado) cuando carga.

Para asistencia con su producto, visite nuestro sitio de Internet www.blackanddecker.com respecto a una ubicación del centro de servicio más cercano a usted o llame a la línea de ayuda de BLACK+DECKER al **1-800-544-6986**.

ACCESORIOS

Los accesorios recomendados para uso con su aparato están disponibles a partir de su distribuidor local o centro de servicio autorizado. Si necesita asistencia respecto a los accesorios, por favor llame al: **1-800-544-6986**.

⚠ ADVERTENCIA: El uso de cualquier accesorio no recomendado para uso con este aparato podría ser peligroso.

INFORMACIÓN DE SERVICIO

Todos los Centros de Servicio BLACK+DECKER son atendidos por personal capacitado para proporcionar a los clientes un servicio eficiente y confiable de las herramientas eléctricas. Si necesita consejo técnico, reparación, o partes de reemplazo genuinas de fábrica, póngase en contacto con la ubicación BLACK+DECKER más cercana. Para encontrar su ubicación de servicio local, llame al: **1-800-544-6986** o visite www.blackanddecker.com

GARANTÍA LIMITADA DE DOS AÑOS

Black & Decker (U.S.) Inc. garantiza que este producto está libre de defectos de material o mano de obra durante un período de dos (2) años desde la fecha de compra, siempre y cuando el producto se utilice en un entorno doméstico. Esta garantía limitada no cubre contra fallas debidas a mal uso, daño accidental o cuando se han realizado o intentado reparaciones por parte de cualquier otra persona ajena a BLACK+DECKER y sus centros de mantenimiento autorizados. Un producto defectuoso que cumple con las condiciones de la garantía establecidas en el presente documento será reemplazado o reparado sin costo de una dos maneras:

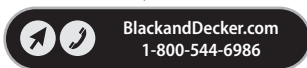
La primera, que únicamente dará lugar a intercambios, consiste en devolver el producto al comerciante minorista donde fue comprado (siempre y cuando la tienda sea un comerciante minorista participante). Las devoluciones deben realizarse dentro del período establecido en la política para intercambios del comerciante minorista. Es posible que se requiera el comprobante de compra. Consulte al comerciante minorista sobre su política específica de devoluciones con respecto a los límites de tiempo para devoluciones o intercambios.

La segunda opción es llevar o enviar (pagado por adelantado) el producto a un centro de mantenimiento de propiedad o con autorización de BLACK+DECKER para su reparación o reemplazo a discreción de BLACK+DECKER. Es posible que se requiera un comprobante de compra. Los centros de mantenimiento de propiedad o con autorización de BLACK+DECKER en línea en www.blackanddecker.com.

Esta garantía no se aplica a los accesorios. Esta garantía le otorga derechos legales específicos y es posible que tenga otros derechos que varían de un estado a otro. En caso de que tenga alguna pregunta, comuníquese con el gerente del centro de mantenimiento de BLACK+DECKER más cercano a usted. Este producto no está diseñado para uso comercial y, en consecuencia, dicho uso comercial de este producto anulará la garantía. Por medio del presente documento, se declina la responsabilidad de todas las demás garantías, explícitas o implícitas.

AMÉRICA LATINA: Esta garantía no se aplica a productos vendidos en América Latina. Para los productos que se venden en América Latina, consulte la información de garantía específica del país contenida en el empaque, llame a la compañía local o visite el sitio web para obtener dicha información.

Importado por Black & Decker (U.S.) Inc.,
701 E. Joppa Rd.
Towson, MD 21286



Black & Decker (U.S.) Inc.
701 East Joppa Road, Towson, MD 21286
Part No. N719677
BHSB315J, BHSB320JP
MAR20

Copyright © 2020 BLACK+DECKER