

This Owner's Manual is provided and hosted by [Appliance Factory Parts](#).



# Shop Vac SC16-SQ650 Owner's Manual

[Shop genuine replacement parts for Shop Vac  
SC16-SQ650](#)

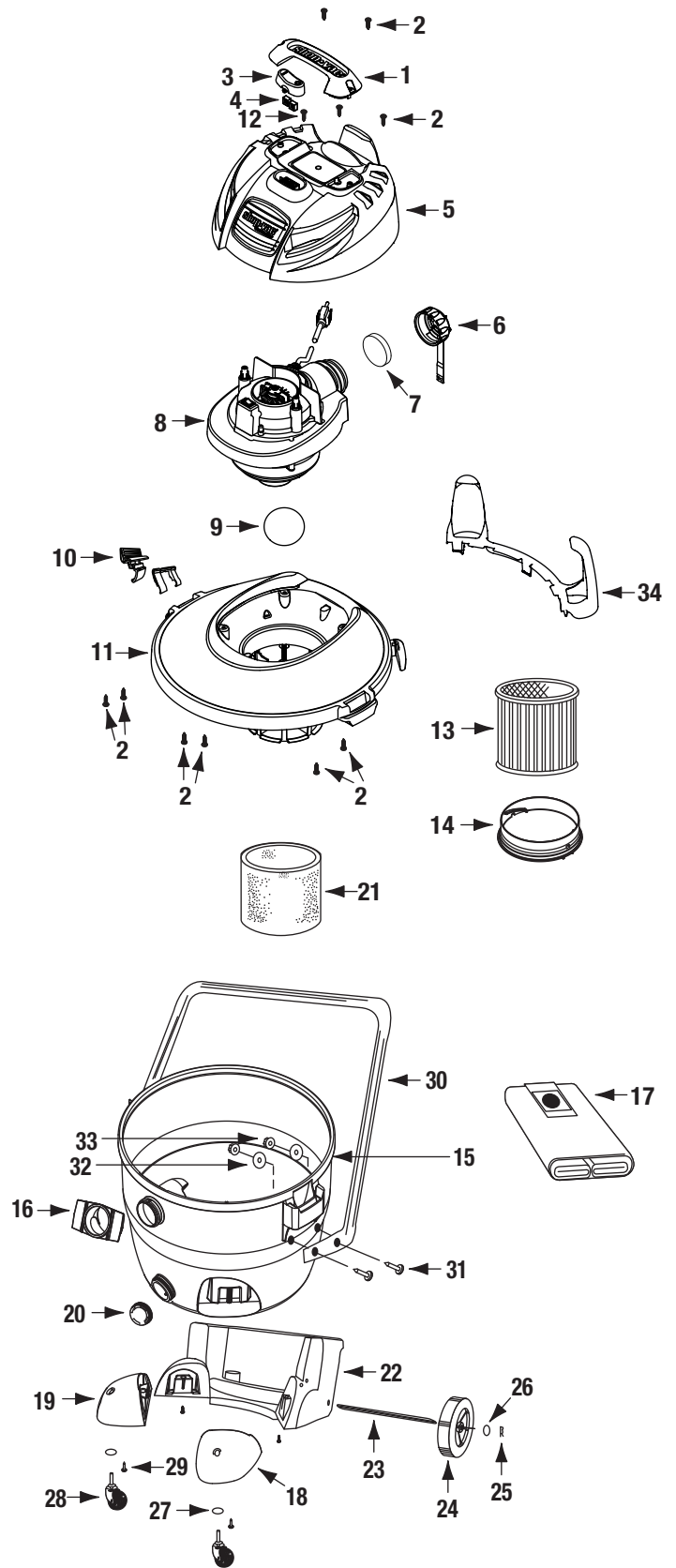


[Find Your Shop Vac Vacuum Cleaner Parts - Select From 487 Models](#)

----- Manual continues below -----



| ITEM | DESCRIPTION                               | PART NO. |
|------|---|----------|
| 1    | Handle                                    | 3756302  |
| 2    | Screw 10 x 3/4 Trilobe, Twin Lead         | 1517699  |
| 3    | Switch Rocker                             | 8230421  |
| 4    | Switch Button Extension                   | 7414254  |
| 5    | Motor Cover Assembly (Includes #3-4 & 12) | 2433450  |
| 6    | Blower Port Diffuser Cap (Includes #7)    | 1945329  |
| 7    | Foam - Diffuser                           | 1290530  |
| 8    | Power Unit Assembly                       | 8305097  |
| 9    | Ball Float                                | 0081120  |
| 10   | Lid Latch                                 | 1945462  |
| 11   | Lid Cage & Latch Assembly                 | 3188122  |
| 12   | Screw KA40 x 15 MM                        | 1518399  |
| 13   | Cartridge Filter                          | 90304    |
| 14   | Filter Retainer                           | 3008000  |
| 15   | Tank Assembly                             | 1099997  |
| 16   | Inlet Deflector                           | 7413120  |
| 17   | Disposable Filter Bag                     | 90672    |
| 18   | Caster Foot A                             | 8568006  |
| 19   | Caster Foot B                             | 8568016  |
| 20   | Drain Cap                                 | 7446800  |
| 21   | Foam Sleeve                               | 90585    |
| 22   | Rear Dolly/Basket                         | 7417720  |
| 23   | Axle                                      | 2441501  |
| 24   | Rear Wheel                                | 2425010  |
| 25   | Hair Pin Clips                            | 7000599  |
| 26   | Flat Washer                               | 0701599  |
| 27   | Flat Washer                               | 0704399  |
| 28   | Caster                                    | 6773900  |
| 29   | Screw 10 x 3/4" SL Hex Head               | 1503999  |
| 30   | Carriage Handle                           | 2088600  |
| 31   | Screw 1/4" - 20 x 3/4" Slotted Thread     | 0810899  |
| 32   | Sealing Washer                            | 0701299  |
| 33   | 1/4" - 20 Locknut - Heavy Hex HD          | 1304599  |
| 34   | Hose Holder                               | 3857800  |



\*Replacement parts may differ from original equipment.