

This Owner's Manual is provided and hosted by [Appliance Factory Parts](#).



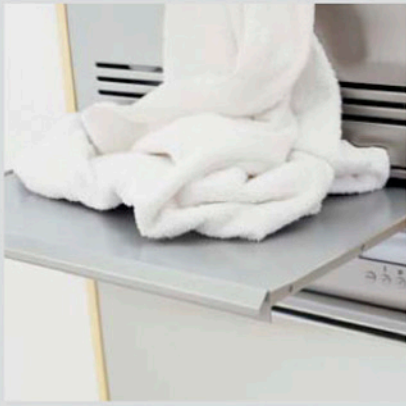
# ASKO D3335XL Owner's Manual

[Shop genuine replacement parts for ASKO D3335XL](#)



[Find Your ASKO Dishwasher Parts - Select From 209 Models](#)

----- Manual continues below -----



## Spare Parts Catalogue

Dishwashers \ 3000XL Series  
Type: DW20.2  
Model: D3335 XL US SS Bi

Prod. No: 107333541  
February 24th 2007

**AM Appliances Group**

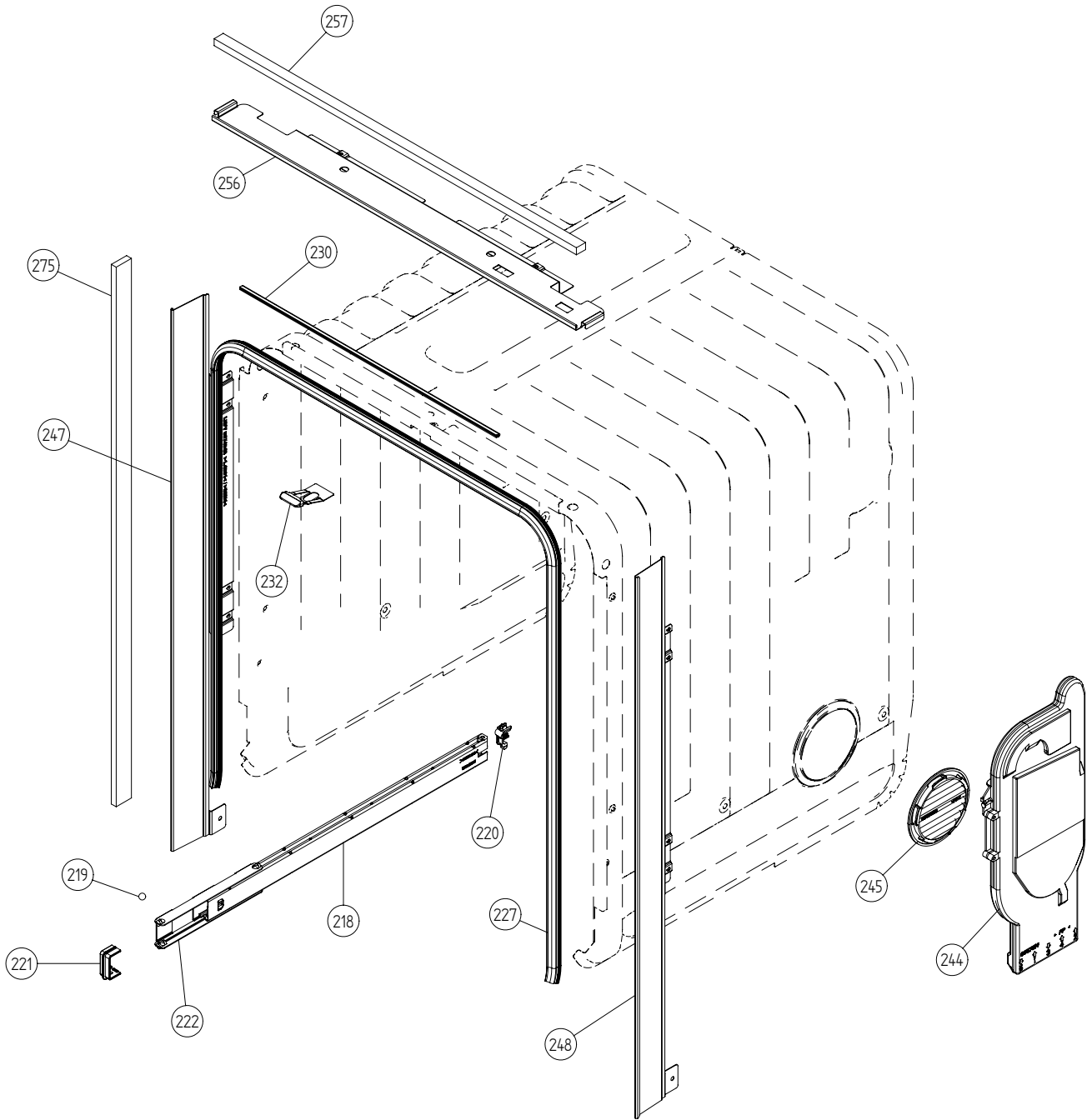
P.O. Box 851805 • Richardson • TX 75085-1805  
789 N. Grove Road • Suite 103 • Richardson • TX 75081



## **Base and related parts**

### **ASKO, D3335 XL US - SS Bi (DW20.2)**

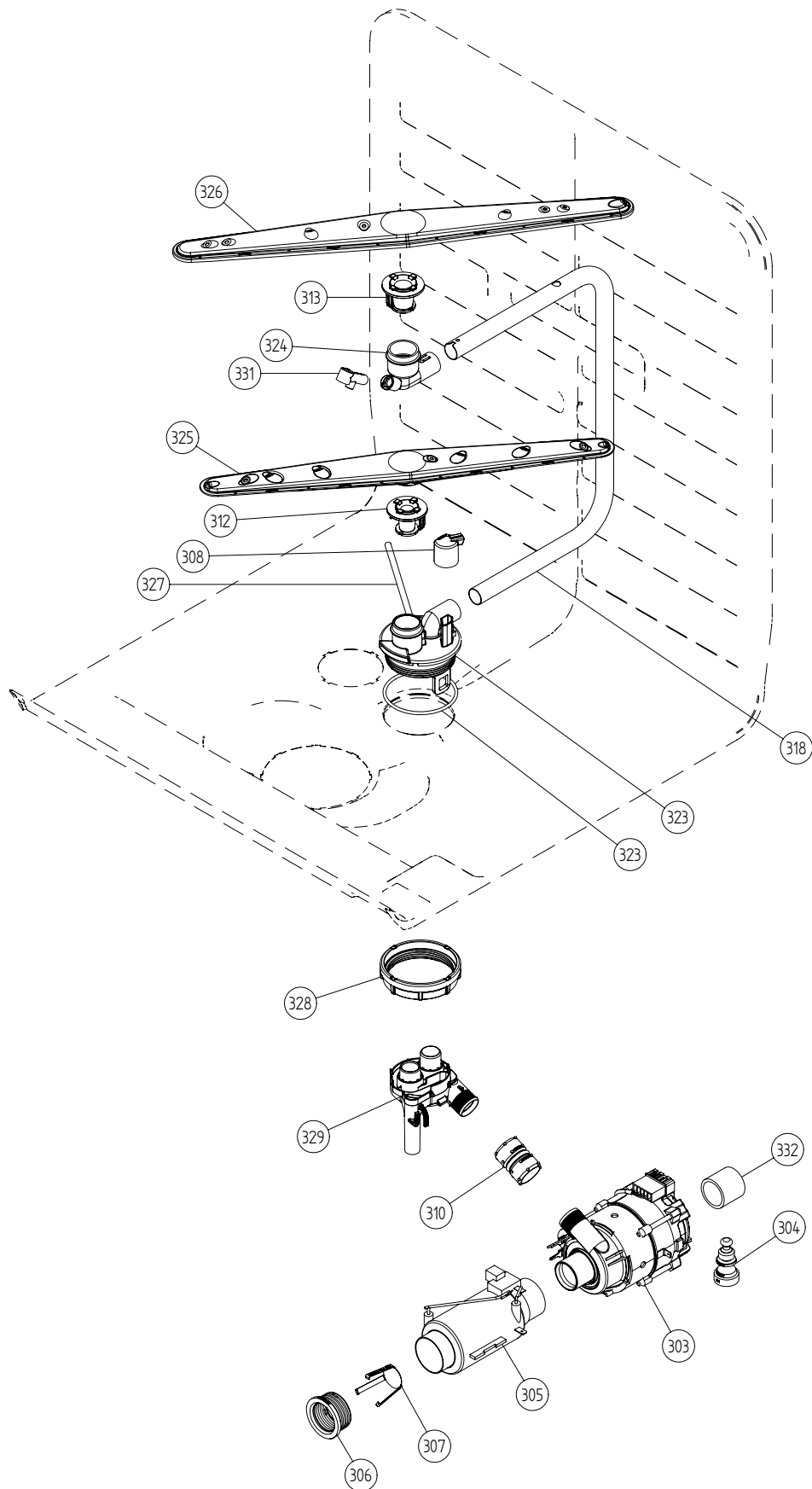
<b>Pos</b>	<b>Spare part No.</b>	<b>Description</b>	<b>Qty</b>	<b>Comment</b>
101	8074450	Bottom Outer DW20	1 Pc's	
101-a	8901104	Screw 20 Torx Machine	2 Pc's	
101-b	8901110	Screw w/ORing DW 05/06 25T	4 Pc's	
102	8073880	REAR PANEL	1 Pc's	
102-a	8902357	Screw	5 Pc's	
105	8074877	Foot	3 Pc's	
108	8073480	Toe Kick bracket Right & Left	2 Pc's	
111	8073481-49	Spring Kicking Plate L Gray	2 Pc's	
125	8076822	GUARD PLATE	1 Pc's	
125	8073707	Proection Plate	1 Pc's	
125-a	8902357	Screw	4 Pc's	
133	8051957	Slide foot 02 DW	3 Pc's	
134	8060232-77	Door Spring Heavy Duty DW	2 Pc's	
135	8079046	CORD SET AMERICA	1 Pc's	
135	8073774	Cord Set	1 Pc's	
136	8079045	TERMINAL BLOCK D3000 W/ RFI	1 Pc's	
136-a	8902131	Screw	1 Pc's	
140	8073825	Inl Valve Single 120V Sens	1 Pc's	
140-a	8052189	Hose Clamp Squeeze	1 Pc's	
141	8073879	Fill hose quick connect	1 Pc's	
142	8006948	Grommet	1 Pc's	
143	8074230	Rubber Hose	1 Pc's	
143-a	8052189	Hose Clamp Squeeze	2 Pc's	
148	8073506	KICK-PLATE USA 86CM	1 Pc's	
148	8073506-81	kick plate metallic	1 Pc's	



## **Baskets and related parts**

### **ASKO, D3335 XL US - SS Bi (DW20.2)**

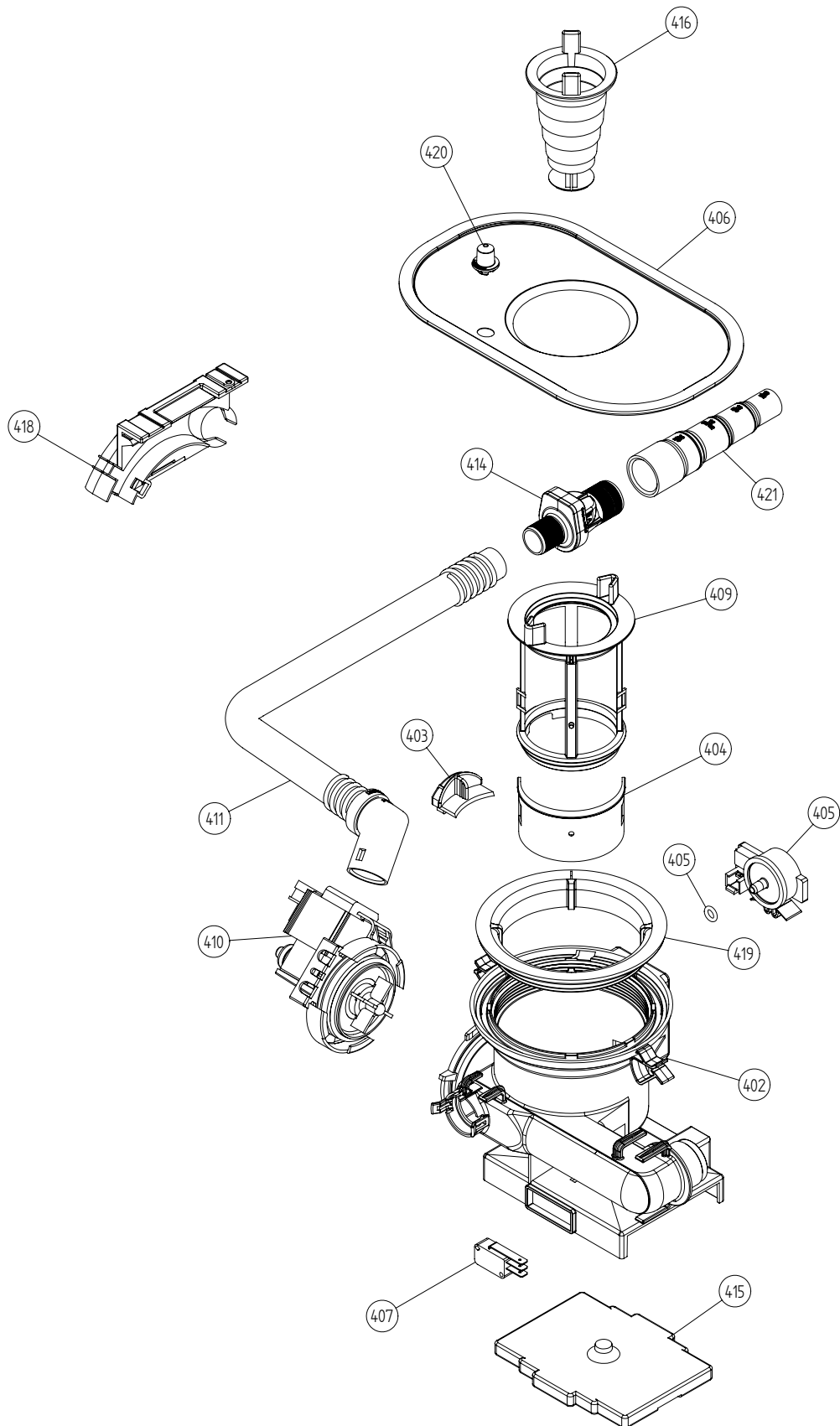
<b>Pos</b>	<b>Spare part No.</b>	<b>Description</b>	<b>Qty</b>	<b>Comment</b>
201	8057056	-	1 Pc's	Not a spare part
218	8057052	Guide Rail 05 06 DW	2 Pc's	
219	8057977	Bearing Upper Rail 05/06 DW	8 Pc's	
220	8057978-77	Rail Stop Back Grey 05/06 DW	2 Pc's	
221	8057979-77	Rack Stop Grey 05/06 DW	2 Pc's	
222	8058638-77	Ball Holder Upper Rail DW	2 Pc's	
225	8057978-77	Rail Stop Back Grey 05/06 DW	2 Pc's	
227	8057489-E	Door strip 3000xl	1 Pc's	
230	8071257	Edge Guard	1 Pc's	
232	8801240	Lock Catch incl Screw&Nut	1 Pc's	
244	8057514	Sub To 8801234	1 Pc's	
244-a	8052189	Hose Clamp Squeeze	1 Pc's	
245	8057536-77	Lockring Airbreak Gray	1 Pc's	
247	8074342-E-95	Trim strip left 3000xl	1 Pc's	
247-a	8900646	Screw 20 Torx SS	2 Pc's	
248	8074343-E-95	Trim strip right 3000xl	1 Pc's	
248-a	8900646	Screw 20 Torx SS	2 Pc's	
256	8075663-95	trim rail 3000xl	1 Pc's	
257	8075664	sealing stripe 3000xl	1 Pc's	
275	8070614	SEALING STRIPE TRIM STRIPE USA	2 Pc's	



## Wash System

### ASKO, D3335 XL US - SS Bi (DW20.2)

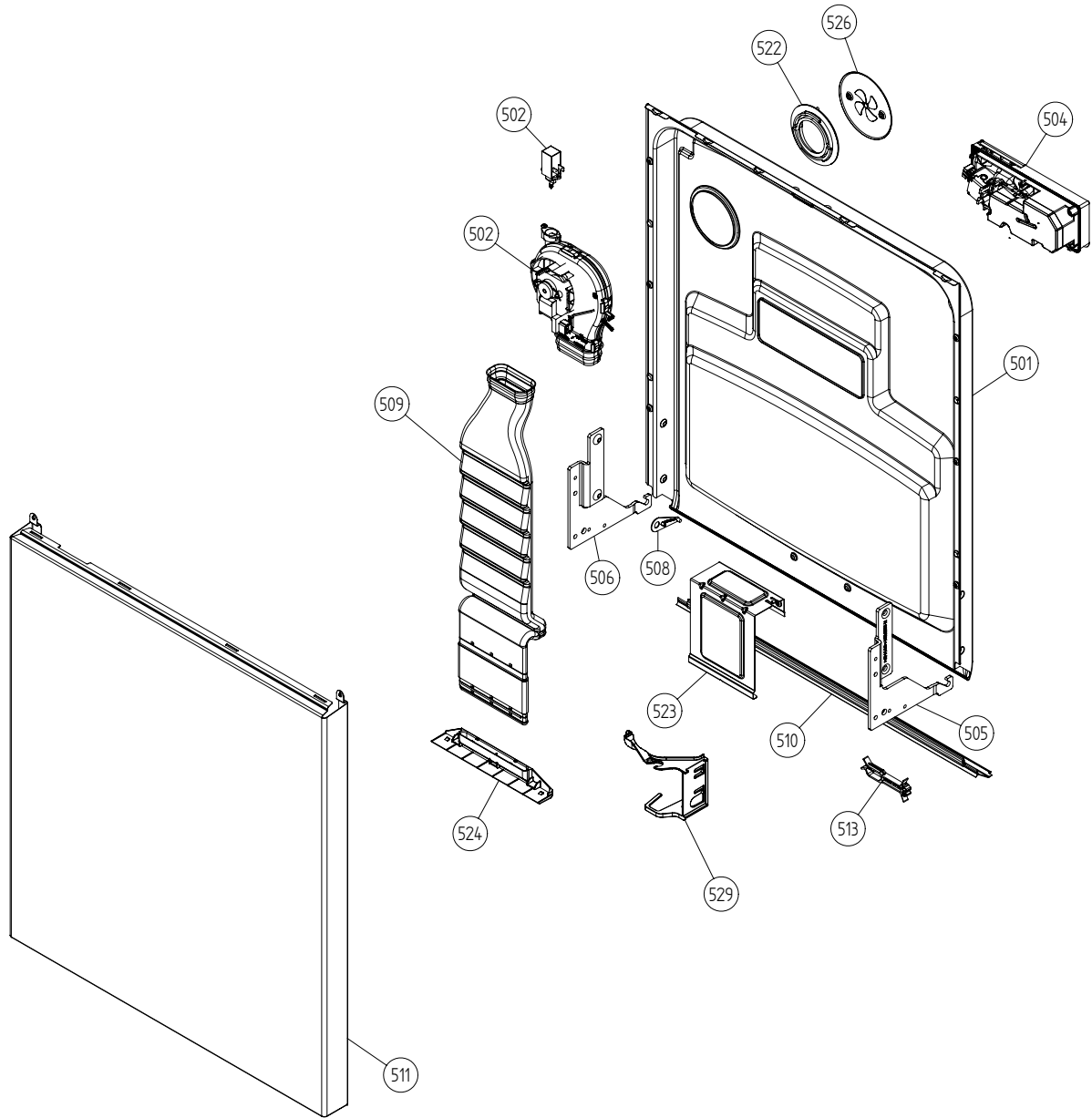
Pos	Spare part No.	Description	Qty	Comment
301	8073502	-	1 Pc's	Not to be ordered
303	8073813	Circ Pump 120V 60HZ	1 Pc's	
303-a	8075380	capacitor D3000	1 Pc's	
304	8075130	Rubber Damper Circ Pump	1 Pc's	
305	8073785	Heating Element 1200W 120V	1 Pc's	
306	8073702	Element Transmutation	2 Pc's	
307	8075070	INSERT FOR HEATER	1 Pc's	
308	8073385-77	Cup Drainage Gray	1 Pc's	
310	8072888	Hose Circ Pump	1 Pc's	
310-a	8056491	Hose Clamp Squeeze	2 Pc's	
312	8072728-77	Spray Arm Bearing L Gray	1 Pc's	
312	8076901-77	Spray arm bearing	1 Pc's	
313	8072731-77	Subs to 8801268	1 Pc's	
313	8076903-77	Subs to 8801268	1 Pc's	
318	8073387	Spray Pipe	1 Pc's	
323	8801270	Spray arm bearing kit	1 Pc's	
323-a	8901765	ORing det Comp 03/04 DW	1 Pc's	
324	8801268	Spray arm bearing kit	1 Pc's	
325	8072891	Spray Arm Lower Complete	1 Pc's	
326	8072894	Spray Arm Upper Complete	1 Pc's	
327	8073381	Tube Pot Rinse	1 Pc's	
327-a	8902085	Screw 20T for Plastic	2 Pc's	
328	8071607	Lockring Spray Pipe Bearing	1 Pc's	
329	8075936	subs to 8073823	1 Pc's	
329-a	8079895	O-RING 20,0 X 4,0 NBR70	2 Pc's	
331	8072543-77	Spray Nozzle	1 Pc's	For part no 8073381 and 8072730-L-77
332	8075420	Hose	1 Pc's	
332-a	8052189	Hose Clamp Squeeze	2 Pc's	



## **Bottom well and related parts**

### **ASKO, D3335 XL US - SS Bi (DW20.2)**

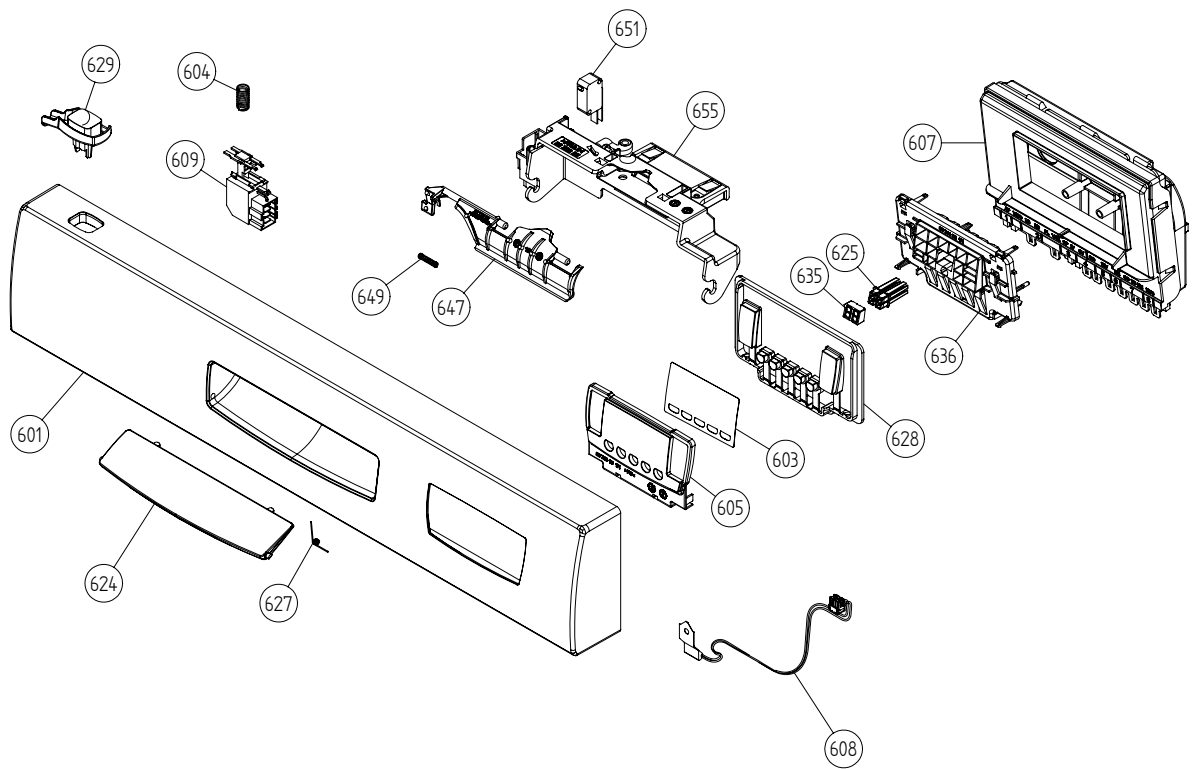
<b>Pos</b>	<b>Spare part No.</b>	<b>Description</b>	<b>Qty</b>	<b>Comment</b>
402	8073690-77	Bottom Well w/o Sensor	1 Pc's	
402	8073691-77	Bottom Well Pressure Sensor	1 Pc's	
402-a	8073002	ORing	1 Pc's	
403	8057487-79	Sump Plug DW 05/06 Cleanout	1 Pc's	
404	8058454	Cover Str Basket 05/06 DW	1 Pc's	
405	8073839	Pressure Sensor	1 Pc's	
405-a	8074040	ORing	1 Pc's	
406	8074364	STRAINER DW20	1 Pc's	
407	8073835	MICROSWITCH FLOAT	1 Pc's	
409	8073396-77	INSERT STRAINER BASKET	1 Pc's	
410	8073818	Drain Pump D3000 DW	1 Pc's	
410-a	8002584	ORing Drain Pump 05/06 DW	1 Pc's	
411	8074030	Outlet Hose D3000 DW	1 Pc's	
411-a	8052239	Hose Clamp Squeeze	1 Pc's	
411-b	8052430	Cable Strip	1 Pc's	
414	8801248	Check Valve Kit	1 Pc's	
414-a	8052239	Hose Clamp Squeeze	1 Pc's	
414-b	8053642	Hose Clip	1 Pc's	
415	8075110	FLOAT	1 Pc's	
416	8057972-77	Strainer Basket Grey 05/06 DW	1 Pc's	
418	8072528-77	Holder Outlet Hose	1 Pc's	
418-a	8053642	Hose Clip	1 Pc's	
418-b	8052239	Hose Clamp Squeeze	1 Pc's	
418-c	33700450	Cable Strip	1 Pc's	
418-d	8902072	Screw	1 Pc's	
419	8072848	Lockring Bottom Well	1 Pc's	
420	8074760-77	Ventilator	1 Pc's	
421	8075321	End Cuff	1 Pc's	



## ***Inner door, panel and related parts***

### **ASKO, D3335 XL US - SS Bi (DW20.2)**

<b>Pos</b>	<b>Spare part No.</b>	<b>Description</b>	<b>Qty</b>	<b>Comment</b>
501	8801253	Inner door 3331XL	1 Pc's	
501-a	8900646	Screw 20 Torx SS	6 Pc's	
501-b	8902121	Screw	4 Pc's	
502	8073851	Fan Complete 120V	1 Pc's	
502-a	8058501	ORing Turbo Fan Dry 05/06 DW	1 Pc's	
502-b	8052778	WAX MOTOR DW 05/06	1 Pc's	
504	8073803	Combidisp Reed Reay 120V	1 Pc's	
504-a	8071916	Subs to 8071918	1 Pc's	
504-b	8071917	CAP RINSE AGENT	1 Pc's	
504-c	8071918	Detergent Lid Complete	1 Pc's	
504-d	8072288	Sealing Strip Combbidisp	1 Pc's	
504-f	8902087	Screw Plastic Housing 20 Torx	6 Pc's	
505	8057524	Hinge Right DW 05/06	1 Pc's	
505-a	8057530	Screw hinge 05	1 Pc's	
505-b	33500262	Nut Term Block	1 Pc's	
506	8057525	Hinge left DW 05/06	1 Pc's	
506-a	8057530	Screw hinge 05	1 Pc's	
506-b	33500262	Nut Term Block	1 Pc's	
507	8057530	Screw hinge 05	2 Pc's	
507-a	33500262	Nut Term Block	2 Pc's	
508	8057948	Slide washer hinge bearing 05	2 Pc's	
509	8057963	SUBS 8057963P	1 Pc's	
510	8060254	Lower SealInner Door 05/06 DW	1 Pc's	
511	8075341-95	subs to 807693395	1 Pc's	
511	8076933-95	Outer door 3000xl	1 Pc's	
511-a	8900646	Screw 20 Torx SS	6 Pc's	
513	8074015	CABLE BRACKET DOOR	1 Pc's	
522	8057964	Locking ring turbo fan 05	1 Pc's	
522-a	8902085	Screw 20T for Plastic	2 Pc's	
523	8057984	Push Button Grey 1706/1716 DW	1 Pc's	
523-a	8900646	Screw 20 Torx SS	2 Pc's	
523-b	8902357	Screw	2 Pc's	
524	8076160-33	air duct nozzle	1 Pc's	
526	8058484	SS Coverplate Turbo Fan DW	1 Pc's	
526-a	8902085	Screw 20T for Plastic	2 Pc's	
529	8074278	Bracket for harness	1 Pc's	



## Control panel and related parts

### ASKO, D3335 XL US - SS Bi (DW20.2)

Pos	Spare part No.	Description	Qty	Comment
601	8078426-81-UL	PANEL ASKO 3335(343) GRAP. UL4	1 Pc's	
603	8075055	Decor plate 3331XL	1 Pc's	
604	8074277	SPRING MAIN SWITCH	1 Pc's	
605	8072912	Lens 3331XL	1 Pc's	
607	8801280	Control Unit Compl DW202	1 Pc's	
608	8073788	Thermistor	1 Pc's	
608-a	8076839	thermistor spacer	1 Pc's	
609	8073782	MAIN PUSH SWITCH	1 Pc's	
614	8075736	cabl set	1 Pc's	
616	8075735	CABLE SET FLOW & PRESSURE	1 Pc's	
617	8075737	CABLE SET FLOW SENSOR	1 Pc's	
618	8075738	cabl set power	1 Pc's	
620	8075730	cabl set fan	1 Pc's	
622	8075731	CABLE SET DRAIN	1 Pc's	
624	8073470-81	Cover for Handle Metal Gray	1 Pc's	
625	8074247	Lens 7Segment DW340	1 Pc's	
627	8074464	SPRING FOR LID HANDLE	1 Pc's	
628	8075092-81	Push buttons 3331XL SS	1 Pc's	
629	8075078-81	Push Button Main Switch Graphi	1 Pc's	
635	8074976	Light Shielding 7Segment	1 Pc's	
636	8074192	Light Guide DW340	1 Pc's	
647	8072906	Catch Handle	1 Pc's	
649	8075790	Spring Door Lock Handle	1 Pc's	
651	8073836	MICROSWITCH DOOR	1 Pc's	
655	8072905	Protection Catch	1 Pc's	
655-a	8902085	Screw 20T for Plastic	2 Pc's	

S:\UDW2011\_Tryckunderlag\Kopplingschema\8073909 Circuit diagram DW20\_4\_c.dff , mail , 2002-06-18 08:34:08

- CD: COMBI DISPENSER
- CP: CIRCULATION PUMP
- DIV: WATER DIVERTER VALVE
- DP: DRAIN PUMP
- DR: DOOR
- DS: DOOR SWITCH
- F: FILTER
- FM: FLOW METER
- FN: FAN
- FS: FLOAT SWITCH
- HE: HEATING ELEMENT
- HL: HALOGEN LAMP
- HS: HUMIDITY SENSOR
- IS: ILLUM. SWITCH
- IV: INLET VALVE
- MS: MAIN SWITCH
- PS: PRESSURE SENSOR
- RAS: RINSE AID SENSOR
- SS: SALT SENSOR
- SV: SALT VALVE
- TH: THERMISTOR
- TS: TURBIDITY SENSOR
- VAX: VAX ACTUATOR
- NET: INTERFACE TO HOME NET COMMUNICATION UNIT

- WIRES IN ALL MACHINES
- - - INTERNAL CONNECTION
- . - WIRES IN SOME MACHINES

**RESISTANCES AT ROOM TEMPERATURE (CA. 20°C/68°F)  
VALUES WITH +/-10% ARE REGARDED AS NORMAL**

COMPONENT	RESISTANCE
RADIO INTERFERENCE SUPPRESSION FILTER	1 MOHM
HEATING ELEMENT 1400W 120V	12 OHM
HEATING ELEMENT 1800W 230V	30 OHM
THERMISTOR	25 KOHM
COMBINED DISPENSER 120V	0,3 KOHM
COMBINED DISPENSER 230V	1,3 OHM
CIRCULATION PUMP 120V 60HZ	22 OHM
CIRCULATION PUMP 230V 50HZ	90 OHM
CIRCULATION PUMP 220V 60HZ	56 OHM
DRAIN PUMP 120V 60HZ	25 OHM
DRAIN PUMP 230V 50HZ	150 OHM
DRAIN PUMP 230V 60HZ	85 OHM
SPRAY ARM DIVIDER 120V 60HZ	2,6 KOHM
SPRAY ARM DIVIDER 230V 50/60HZ	8,5 KOHM
INLET VALVE SINGLE INCL. FLOW SENSOR 120V	0,95 KOHM
INLET VALVE SAFETY INCL. FLOW SENSOR 120V	0,5 KOHM
INLET VALVE WATER SOFTNER INCL. FLOW SENSOR 120V	0,95 KOHM
INLET VALVE SINGLE INCL. FLOW SENSOR 230V	3,8 KOHM
INLET VALVE SAFETY INCL. FLOW SENSOR 230V	2 KOHM
INLET VALVE WATER SOFTNER INCL. FLOW SENSOR 230V	3,8 KOHM
HALOGEN LAMP 5W 12V	<10 KOHM
WAX MOTOR	1,1 KOHM
FAN MOTOR 120V	0,18 KOHM
FAN MOTOR 230V	0,75 KOHM



Pos.	Qty	Part No.	Name of item
Material			Dens.Kg/
Scale		Gen.tolerance	
		1:1	
Designed by		Gen.tol.Angle	
		ML	
Released by		Iss by Dept	Year   W
		UD	00 4

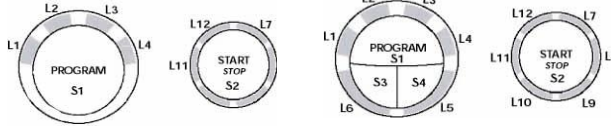
Rev ind	Revision	Appd	Year Week

**ASKO CYLINDA**

This document must not be copied without our written permission, and the contents thereof must not be imparted to a third party without the use of an authorized procedure. ASKO CYLINDA AB will be prosecuted.

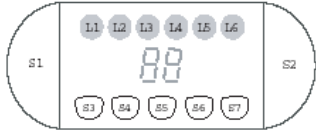
# Displays

## DW20.1



Panel type DW20.1, L = LED, S = Push-button

## DW20.2



Panel type DW20.2, L - LED, S - Push-button, D - Display

## DW20.3



Panel type DW20.3, L - LED, S - Push-button

## DW20.4



Panel type DW20.4, L - LED, S - Push-button

### TOTAL RESET

- TURN OFF MAIN SWITCH
- WAIT FOR AT LEAST 5 SECS
- HOLD PROGRAM BUTTON (S1)
- TURN ON MAIN SWITCH
- RELEASE PROGRAM BUTTON (S1)

### SERVICE MENU

- TURN OFF MAIN SWITCH
- WAIT FOR AT LEAST 5 SECS
- \*HOLD PROGRAM AND START BUTTONS (S1 & S2)
- TURN ON MAIN SWITCH
- RELEASE PROGRAM AND START BUTTONS (S1 & S2)
- \*FOR DW20.4 HOLD TEMPERATURE/SET AND DRYING/MENU BUTTONS (S3 & S4)

### VARIANT SETTING

- \*ACTIVATE THE SERVICE MENU
- PRESS START (S2) 3 TIMES WITHIN 5 SECS
- \*FOR DW20.4
- HOLD PROGRAM AND START BUTTONS (S1 & S2)
- TURN ON MAIN SWITCH
- RELEASE PROGRAM AND START BUTTONS
- PRESS START (S2) 3 TIMES WITHIN 5 SECS

## COMPONENT TEST:

**First enter Service menu.**

### DW20.1

No component test available.

### DW20.2 and DW20.3

Component test:

Press the Programme button (S1) and index thro

1. Inlet valve
2. Salt valve (only machines with water soft
3. Detergent and surfactant dispenser
4. Circulation pump
5. Heating element and circulation pump (M
6. Fan
7. Drain pump

### DW20.4

**First enter service menu.**

Press Drying/Menu (S4) to access component di

Press Temperature/Set (S3) to activate the follow

1. Inlet valve (display shows water intake v
2. Salt valve (only machines with water soft
3. Detergent and surfactant dispenser
4. Circulation pump (display shows turbidit
5. Heating element and circulation pump (M
6. Fan (display shows humidity sensor valu
7. Drain pump (display shows pressure sens

Pos.	Qty	Part No.	Name of item
Material			Dens.Kg/
Scale		1:1	Gen.tolerance
Designed by		ML	Gen.tol.Angle
Released by		UD	Year   W 00 4

**ASKO CYLINDA**

Rev ind	Revision	Appd	Year Week